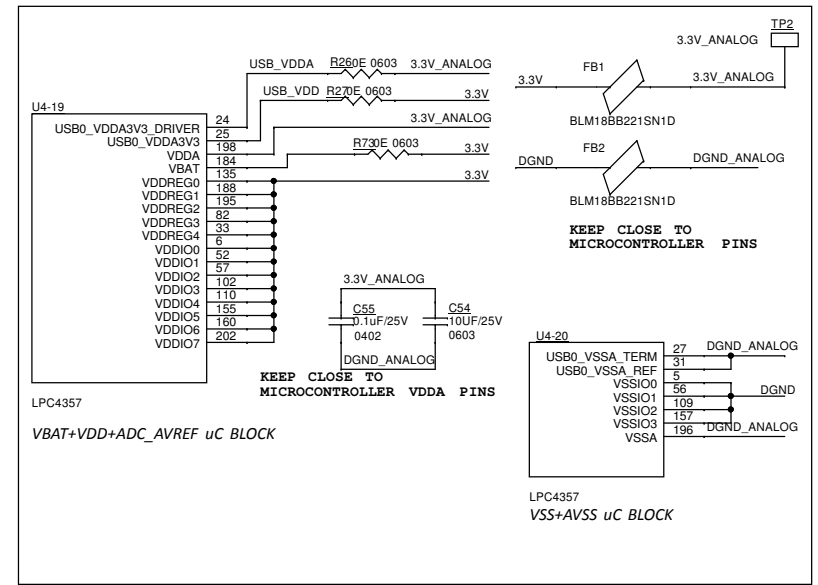


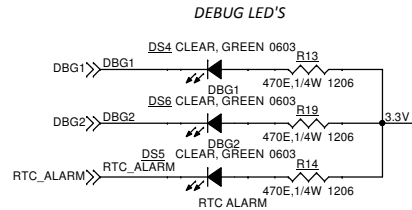
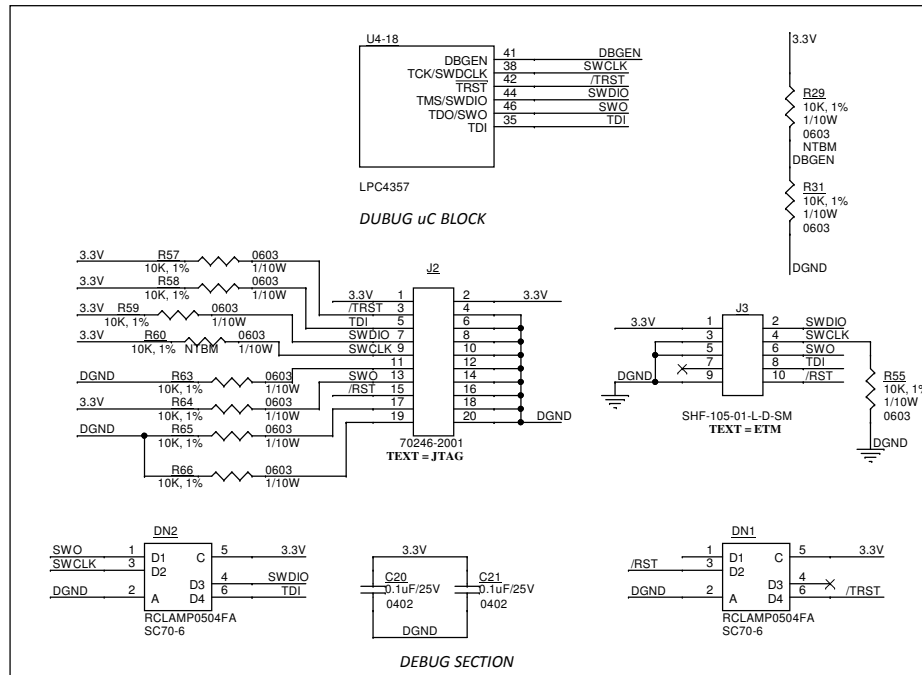
LPC4357 **OSCILLATOR+RTC_XTAL+RESET+I2C uC BLOCK**

NOTE: PROVIDE GUARD RING TO CRYSTAL

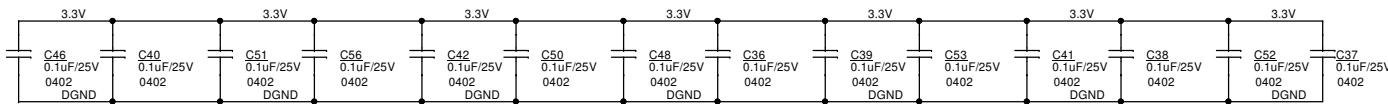
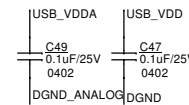
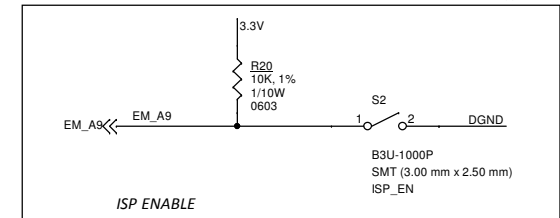


LPC4357 **VBAT+VDD+ADC_AVREF uC BLOCK**

LPC4357 **VSS+AVSS uC BLOCK**



POWER SUPPLY BUS



Place close to each Supply Pin of Microcontroller