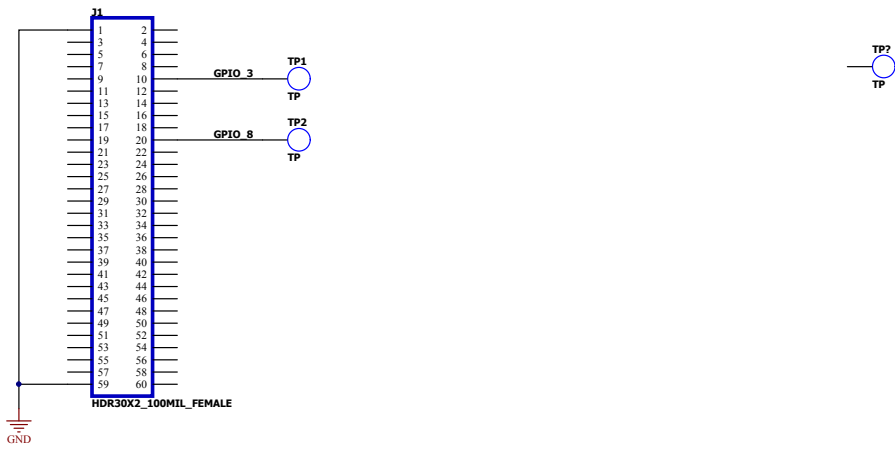
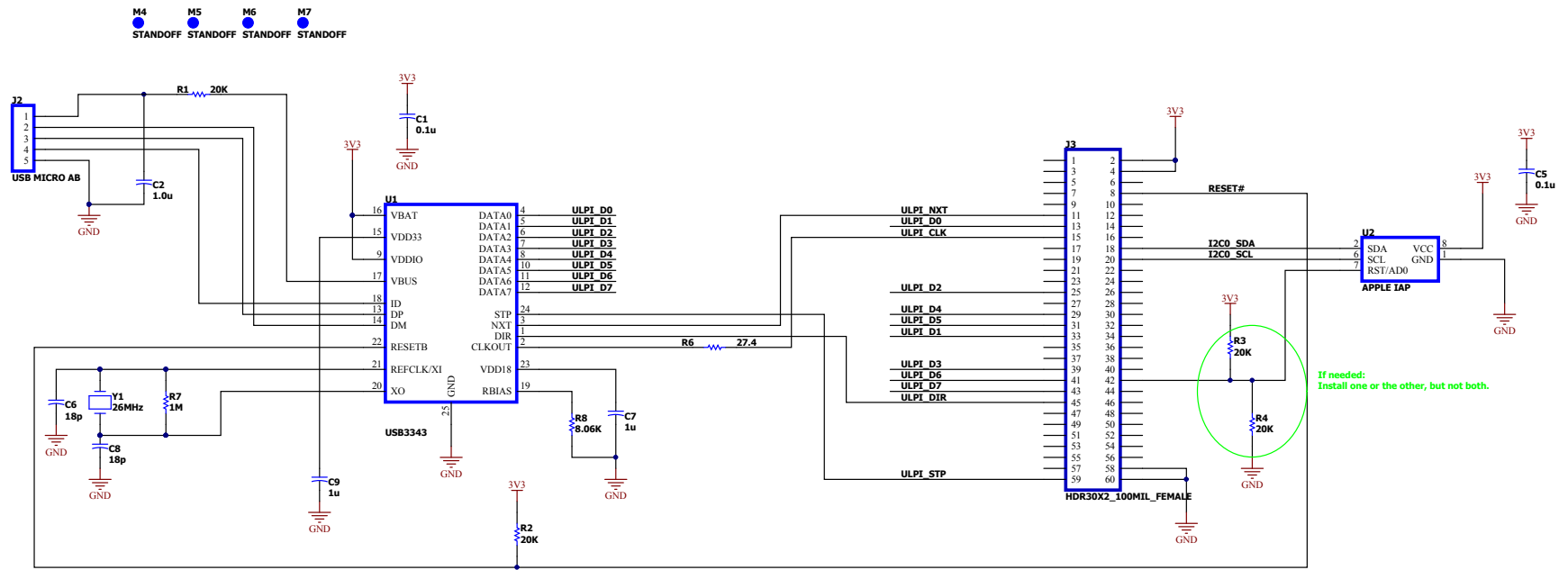


Rev.	Date	Description



- DOC2 12345-XX-SD-A
- M2 e1
- M3 94V-0
- B1 xxxxxx-A BD BLANK xxx Rev x
- ASSY 12345-01-A
- ⚠️
- M1 PB_Free

ULPI ADAPTER	
Title:	
Trimble Navigation Limited	
COMPANY CONFIDENTIAL	
345 SW Avery Ave Corvallis, OR 97333	
Doc #: 00000-XX-SD-A	Rev: A
Engr: MCS_Engineer	Rev Date: 1-Jan-2013
File: upli adapter.SchDoc	Sheet 1 of 1