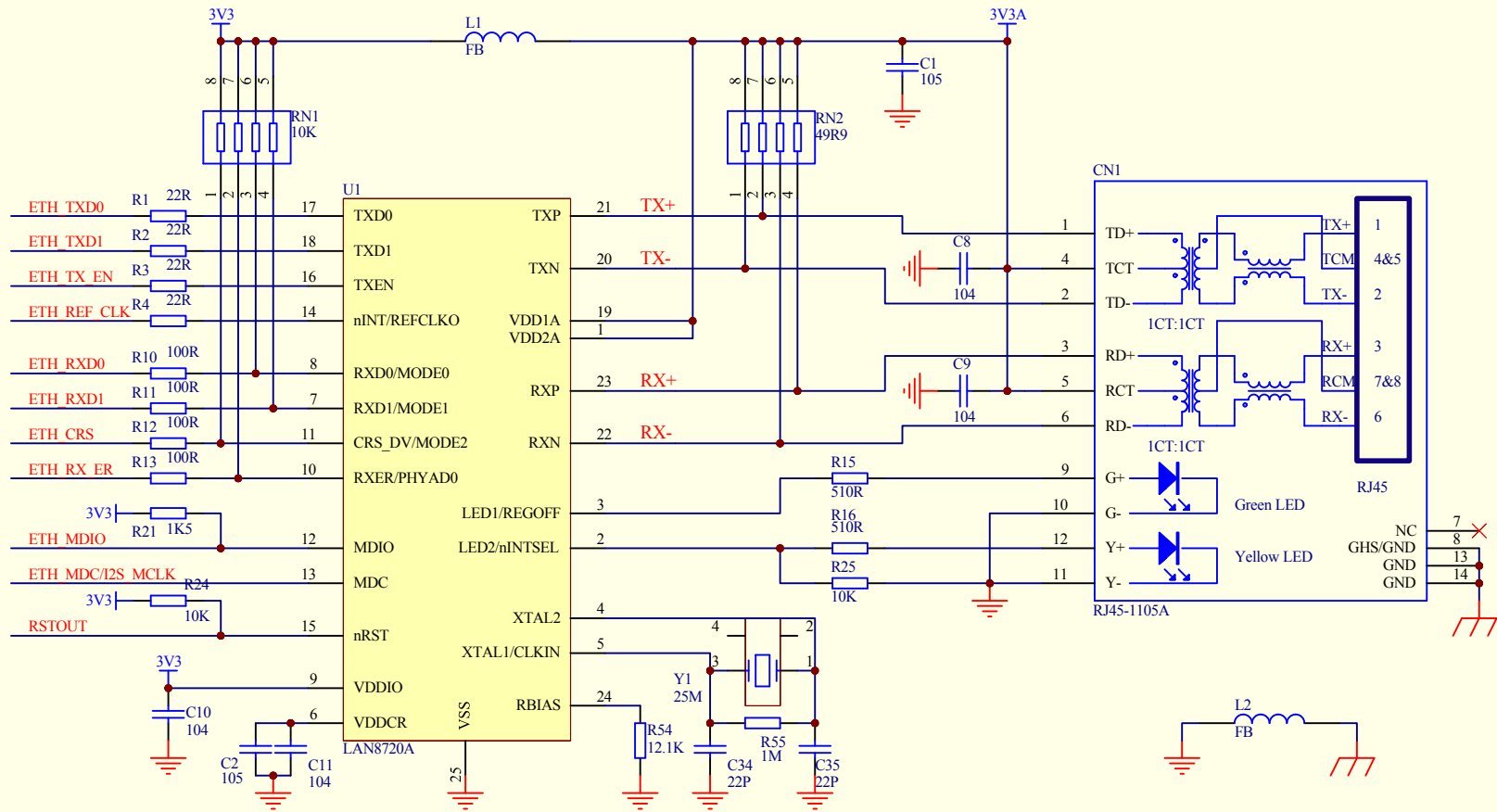


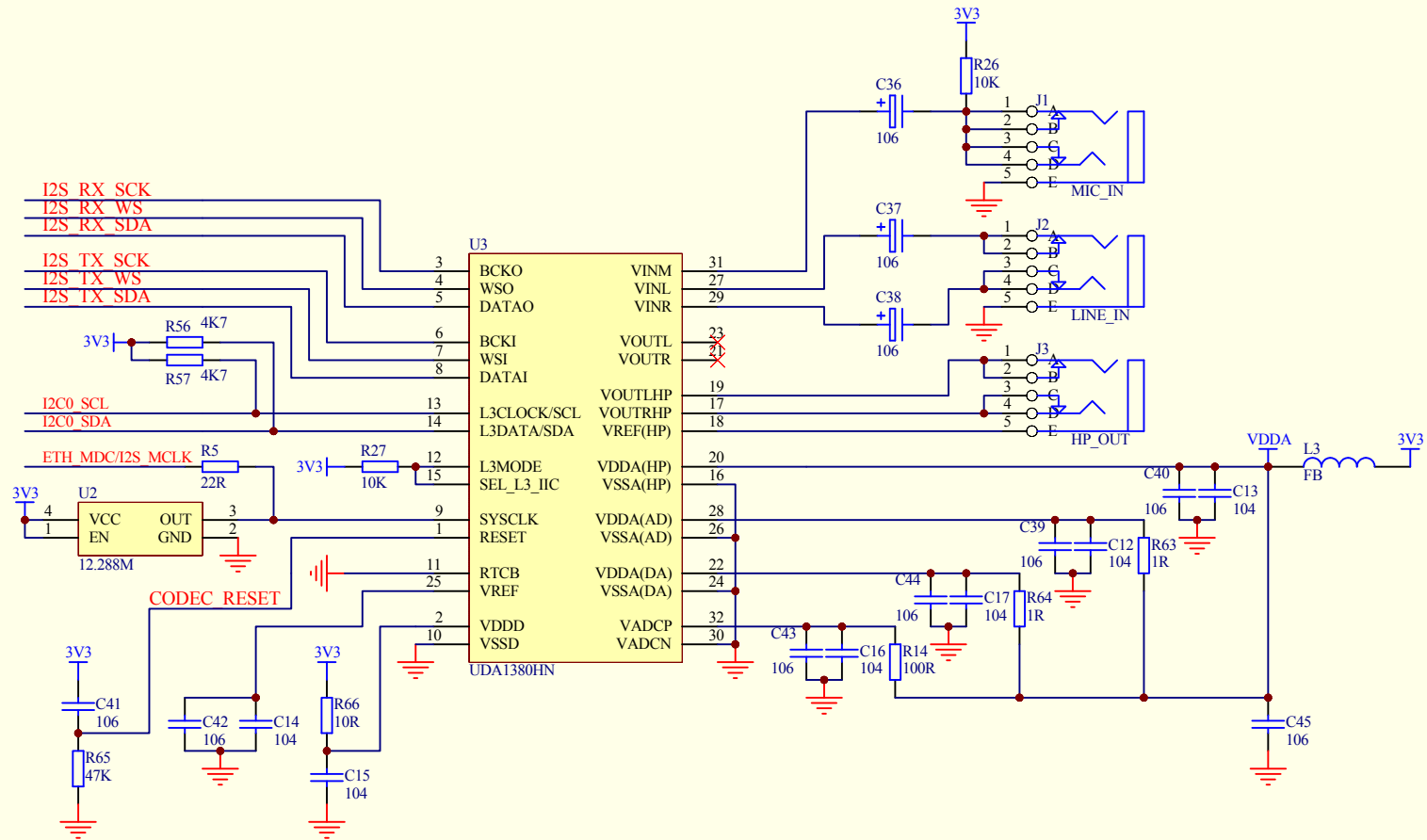
Designed by HAOYU Electronics



[www. PowerMCU. com](http://www.PowerMCU.com)

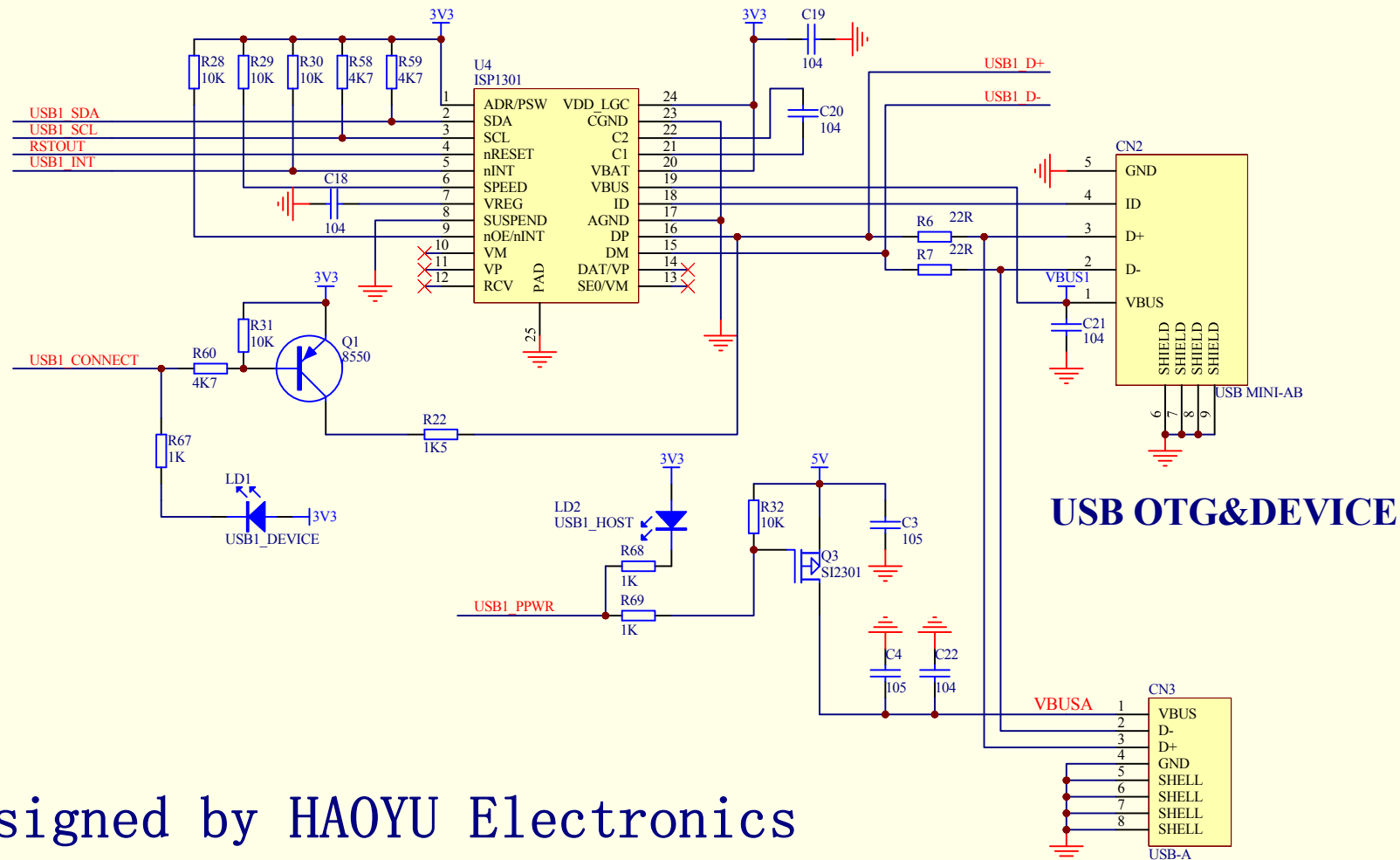
[www. HotMCU. com](http://www.HotMCU.com)

Designed by HAOYU Electronics



[www. PowerMCU. com](http://www.PowerMCU.com)

www. HotMCU. com



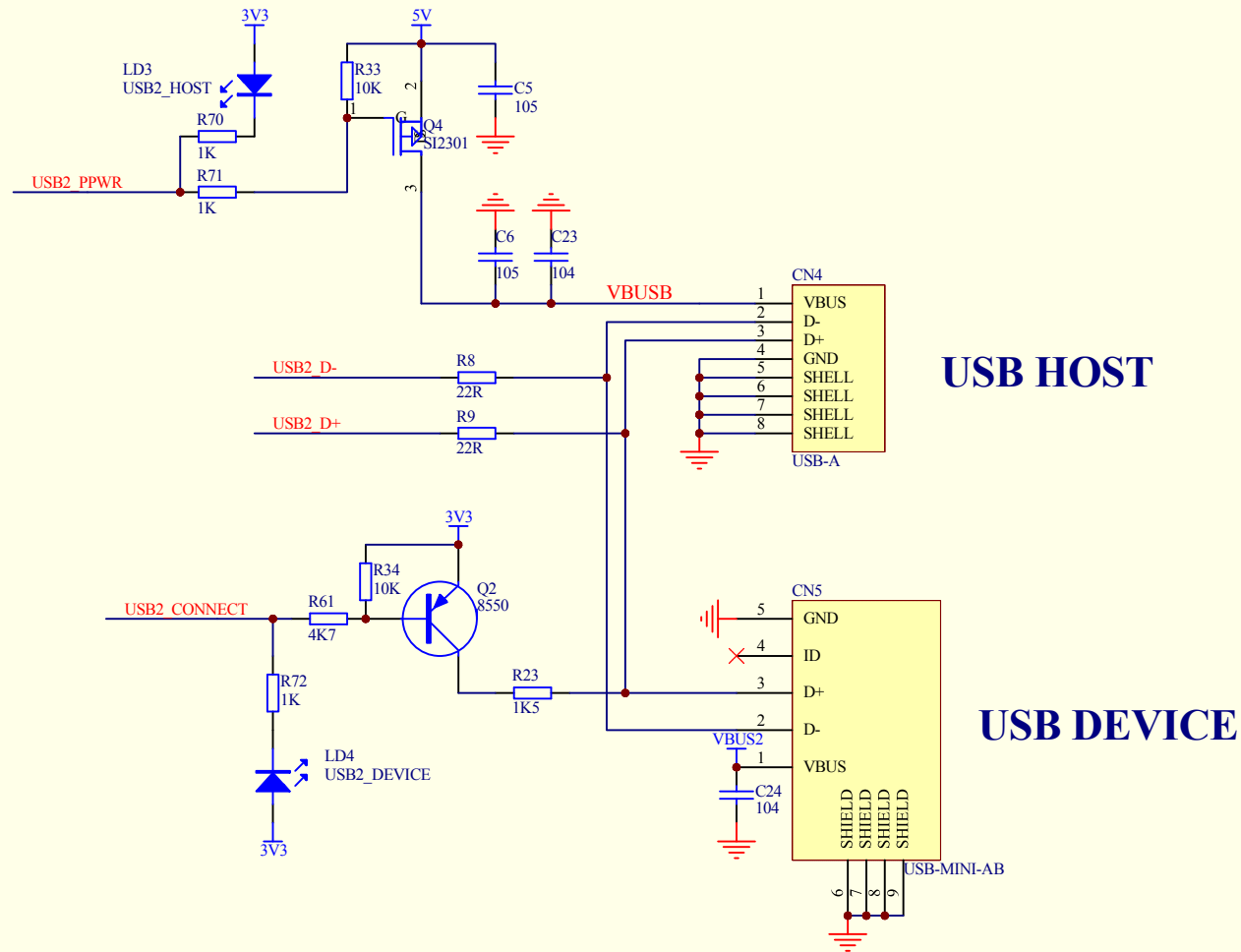
Designed by HAOYU Electronics

www.PowerMCU.com

www.HotMCU.com

USB HOST

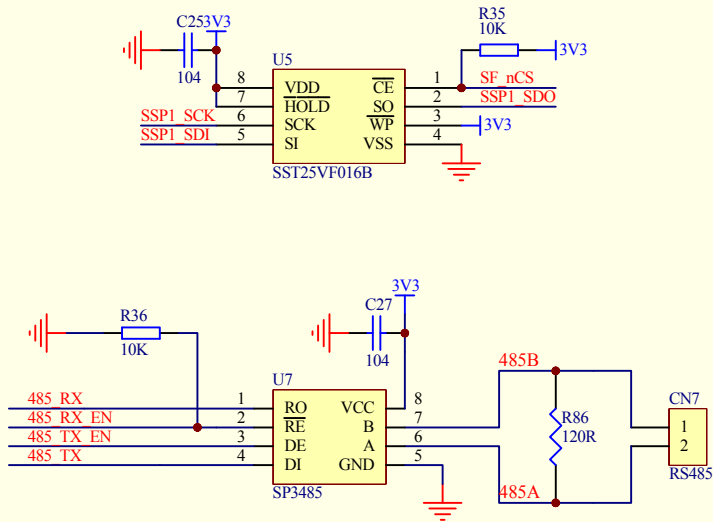
Designed by HAOYU Electronics



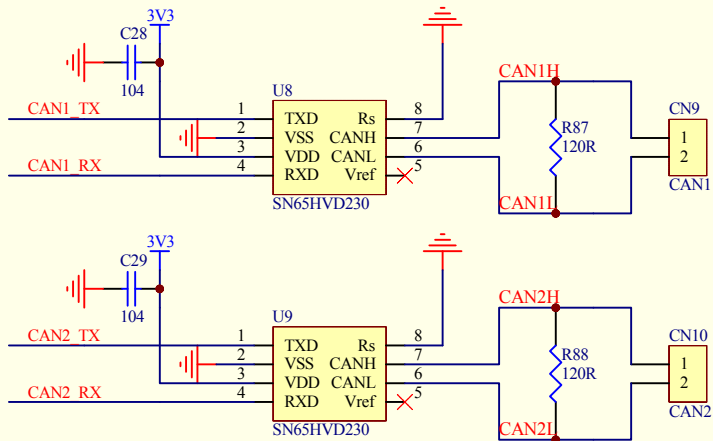
[www. PowerMCU. com](http://www.PowerMCU.com)

[www. HotMCU. com](http://www.HotMCU.com)

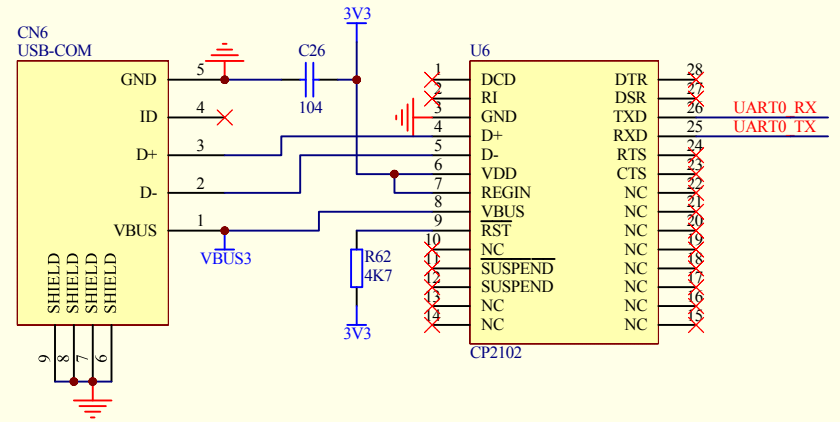
Designed by HAOYU Electronics



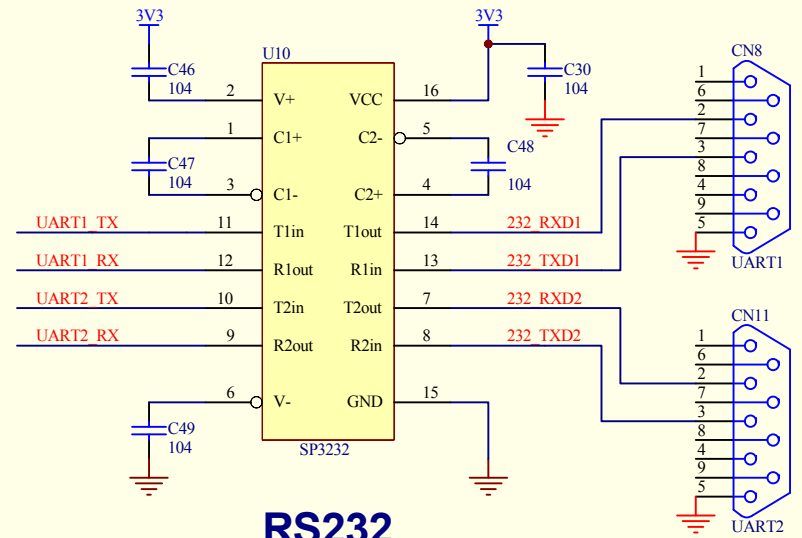
RS485



CAN_BUS



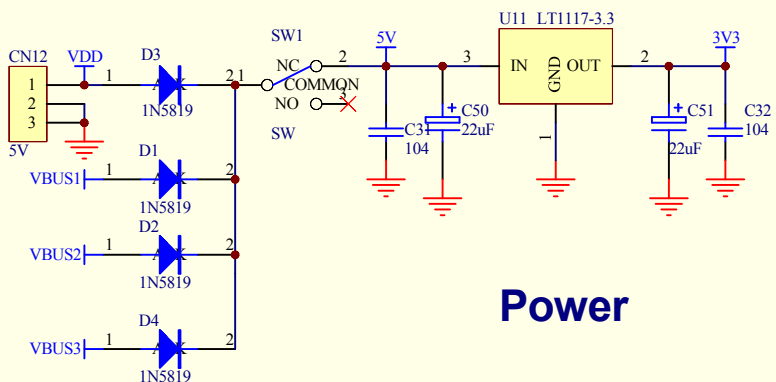
USB to UART (ISP)



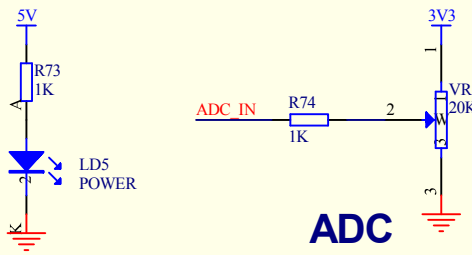
RS232

www.PowerMCU.com

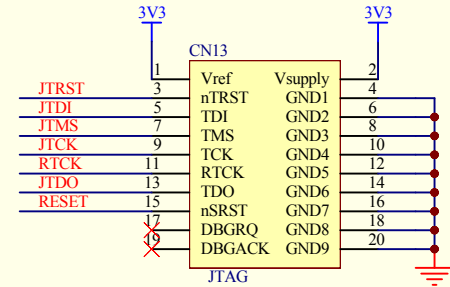
www.HotMCU.com



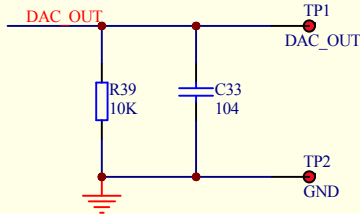
Power



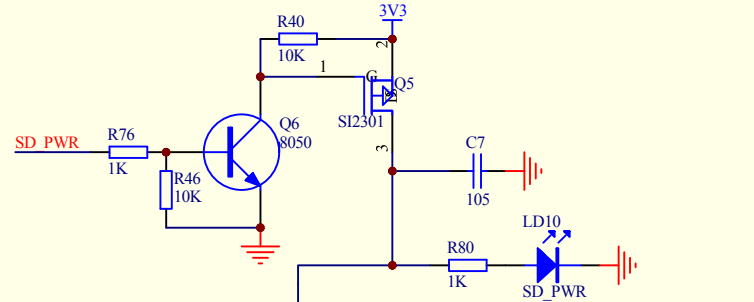
ADC



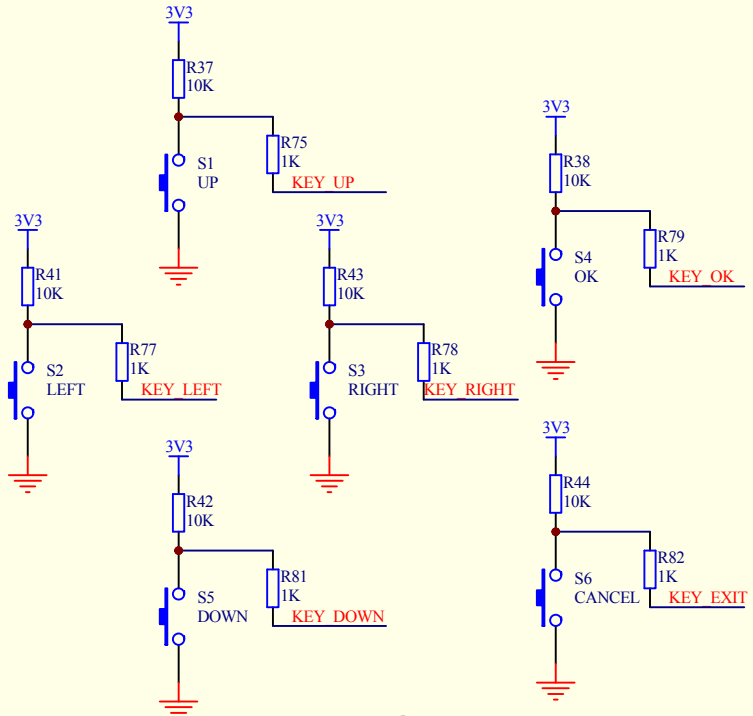
JTAG



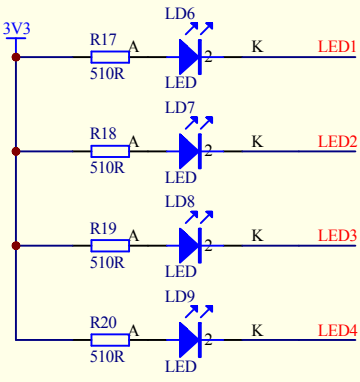
DAC



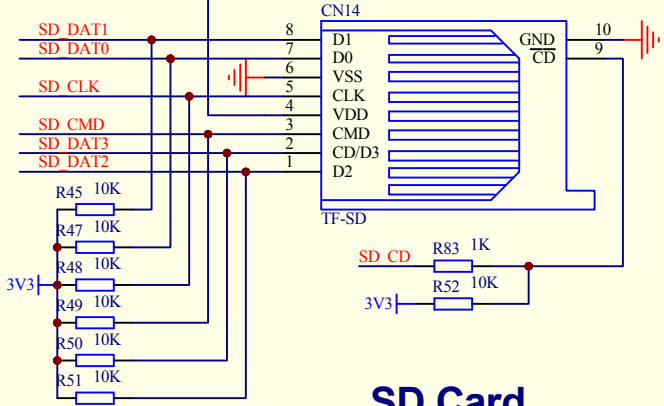
SD Card



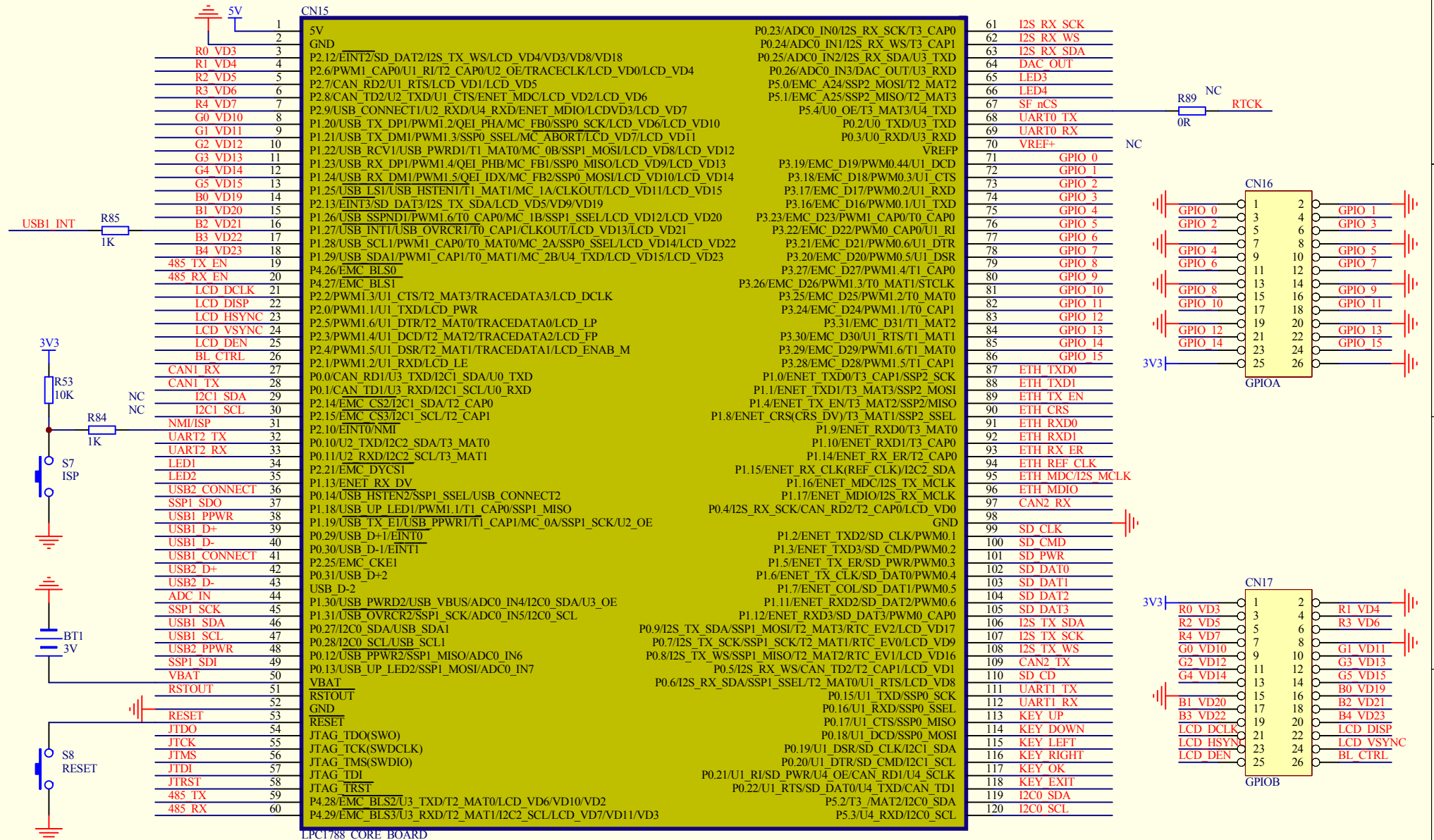
BUTTON



LED



Designed by HAOYU Electronics



www.PowerMCU.com

www.HotMCU.com