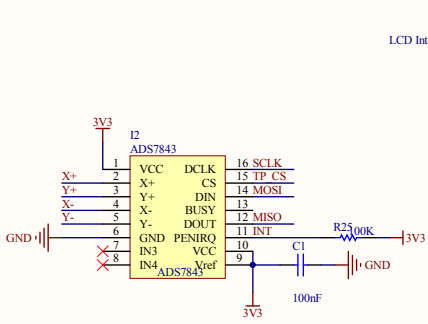
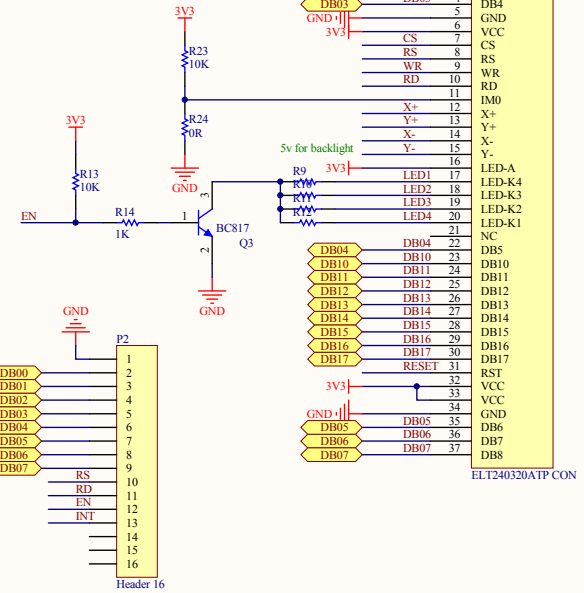
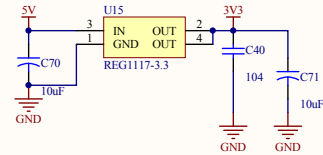
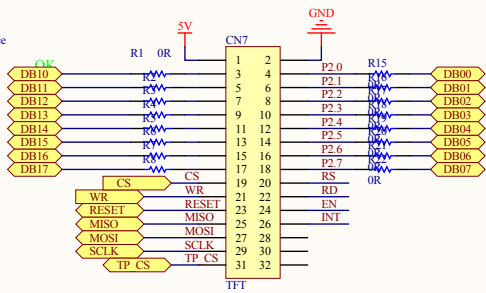


ok final 29.8.90



LCD Interface



Title		
Size	Number	Revision
A3		
Date:	26/06/2012	Sheet of
File:	L:\ATURAN\SHCLCDMODULE.SchDoc	Drawn By:

Comment	Description	Designator	Footprint	LibRef	Quantity
Cap Semi	Capacitor (Semiconductor SIM Model)	C1	0805C	Cap Semi	1
Cap	Capacitor	C40	0805C	Cap	1
	Capacitor	C70, C71	0805C	Cap2	2
TFT	Header, 16-Pin, Dual row	CN7	HDR2X16	Header 16X2	1
ADS7843		I2	ADS7843	ADS7843	1
ELT240320ATP CON	TFT LCD CONNECTOR	LCD1	N96	ELT240320ATP CON	1
Header 16	Header, 16-Pin	P2	HDR1X16	Header 16	1
BC817		Q3	BC817	BC817	1
Res1	Resistor	R1, R2, R3, R4, R5, R6, R7, R8, R9, R10, R11, R12, R13, R15, R16, R17, R18, R19, R20, R21, R22, R23, R24	0805	Res1	23
	Resistor	R14	0805	Res1	1
Res Semi	Semiconductor Resistor	R25	3216[1206]	Res Semi	1
REG1117-3.3	800mA and 1A Low I	U15	ZZ311	REG1117-3.3	1