

Kinetis L Peripheral Module Quick Reference

A Compilation of Demonstration Software for Kinetis L Series Modules

This collection of code examples, useful tips, and quick reference material has been created to help you speed the development of your applications. Most chapters in this document contain examples that can be modified to work with Kinetis MCU Family members. When you're developing your application, consult your device data sheet and reference manual for part-specific information, such as which features are supported on your device.

Sample code can be found at KL25_SC.exe, available from:

www.freescale.com/files/32bit/software/KL25_SC.exe

Information about the ARM core can be found in the help center at ARM.com

The most up-to-date revisions of our documents are on the Web. Your printed copy may be an earlier revision. To verify that you have the latest information available, refer to freescale.com



Revision History

Date	Revision Level	Description	Page Number(s)
09/2012	0	Initial release	N/A

Contents

Section number	Title	Page
----------------	-------	------

Chapter 1 General System Setup (Software Considerations)

1.1	Software considerations.....	11
1.1.1	Overview.....	11
1.1.2	Code execution.....	11
1.1.3	Reset and booting.....	11
1.1.3.1	Device state during reset.....	12
1.1.3.2	Device state after reset.....	12
1.1.4	Typical system initialization	12
1.1.4.1	Lowest level assembly routines.....	12
1.1.4.1.1	Initialize general purpose registers.....	12
1.1.4.1.1.1	Unmask interrupts at ARM core	13
1.1.4.1.1.2	Branch to start of C initialization code.....	13
1.1.4.2	Startup routines.....	13
1.1.4.2.1	Disable watchdog.....	13
1.1.4.2.2	Initialize RAM.....	13
1.1.4.2.3	Enable port clocks.....	13
1.1.4.2.4	Ramp system clock to selected frequency.....	13
1.1.4.2.5	Enable pin interrupt.....	14
1.1.4.2.6	Enable UART for terminal communication.....	14
1.1.4.2.7	Jump to start of main function for application.....	14

Chapter 2 General System Setup (Hardware Considerations)

2.1	Hardware considerations.....	15
2.1.1	Overview.....	15
2.1.2	Floorplan.....	15
2.1.2.1	Connectors.....	16

Section number	Title	Page
2.1.3	PCB routing considerations.....	16
2.1.3.1	Power supply routing.....	16
2.1.3.2	Power supply decoupling and filtering.....	17
2.1.3.3	Oscillators.....	18
2.1.3.3.1	MCG oscillator.....	18
2.1.3.4	General filtering.....	23
2.1.3.4.1	RESET_b and NMI_b.....	23
2.1.3.4.2	General purpose I/O.....	23
2.1.3.4.3	Analog inputs.....	23
2.1.4	PCB layer stack-up.....	24
2.1.5	Other module hardware considerations.....	26
2.1.5.1	Debug interface.....	26

Chapter 3 Nested Vector Interrupt Controller (NVIC)

3.1	NVIC.....	29
3.1.1	Overview.....	29
3.1.1.1	Introduction	29
3.1.1.2	Features	29
3.1.2	Configuration examples.....	30
3.1.2.1	Configuring the NVIC.....	30
3.1.2.1.1	Code example and explanation.....	30
3.1.2.2	Relocating the vector table.....	32
3.1.2.2.1	Code example and explanation.....	32

Chapter 4 Clocking System

4.1	Clocking.....	33
4.1.1	Overview.....	33
4.1.2	Features.....	33

Section number	Title	Page
4.1.3	Configuration examples.....	35
4.1.3.1	Configuring the RTC clock source.....	37
4.1.4	Additional clock options.....	38
4.1.4.1	Compute operation.....	39
4.1.4.2	Partial stop.....	39
4.1.5	Clocking system device hardware implementation.....	40
4.1.6	Layout guidelines for general routing and placement.....	40
4.1.7	References.....	41

Chapter 5 Power Management Control (PMC/SMC/LLWU/RCM)

5.1	Introduction.....	43
5.2	Using the power management controller.....	43
5.2.1	Overview.....	43
5.2.2	Using the low voltage detection system.....	43
5.2.2.1	POR and LVD features.....	43
5.2.2.2	Configuration examples.....	44
5.2.2.3	Interrupt code example and explanation.....	45
5.2.2.4	Hardware implementation.....	46
5.3	Using the system mode controller.....	48
5.3.1	Overview.....	48
5.3.1.1	Introduction.....	48
5.3.1.2	Entering and exiting power modes.....	49
5.3.2	Configuration examples.....	50
5.3.2.1	SMC code example and explanation.....	50
5.3.2.2	Entering Low Leakage Stop (LLS) mode.....	51
5.3.2.2.1	Mode Entry Sequence Serialization	51
5.3.2.3	Entering wait mode.....	52
5.3.2.4	Exiting low-power modes.....	52

Section number	Title	Page
5.4	Using the low leakage wakeup unit.....	53
5.4.1	Overview.....	53
5.4.1.1	Mode transitions	53
5.4.1.2	Wake-up sources	53
5.4.2	LLWU configuration examples.....	53
5.4.2.1	Enabling pins and modules in the LLWU.....	53
5.4.2.2	Module wake-up.....	54
5.4.2.3	Pin wake-up.....	54
5.4.2.4	LLWU port and module interrupts.....	55
5.4.2.5	Wake-up sequence.....	55
5.5	Module operation in low-power modes.....	57
5.6	Mode transition requirements.....	59
5.7	Source of wake-up, pins, and modules.....	61

Chapter 6 IOPORT module (Single Cycle I/O Port)

6.1	Using the single cycle IOPORT module.....	63
6.1.1	Overview.....	63
6.1.1.1	Introduction.....	63
6.1.2	Mapping the IOPORT to GPIO registers.....	63
6.1.2.1	IOPORT module registers.....	63
6.2	Sample code using the IOPORT in any run mode.....	64
6.2.1	IOPORT code example.....	64

Chapter 7 Direct Memory Access (DMA) Controller

7.1	DMA.....	67
7.1.1	Overview.....	67
7.1.1.1	Introduction	67
7.1.2	DMA trigger.....	69
7.1.2.1	Trigger mode.....	69

Section number	Title	Page
7.1.3	DMA multiplexer.....	70
7.1.4	Transfer process.....	71
7.1.4.1	Multiple transfer requests.....	72
7.1.4.2	Asynchronous transfers.....	73
7.1.5	Configuration steps	73
7.1.6	Example—UART-gated DMA requests	73
7.1.6.1	Requirements.....	74
7.1.6.2	Module configuration.....	74

Chapter 8 Universal asynchronous receiver/transmitter (UART)

8.1	Overview.....	77
8.2	Introduction.....	77
8.3	Features.....	77
8.3.1	UART clock.....	78
8.3.2	UART baud rate generation.....	78
8.3.3	Receiver wake-up feature.....	79
8.3.4	Additional features.....	80
8.4	Configuration examples.....	84
8.4.1	Example 1: Polling/Interrupt mode of UART.....	84
8.4.2	Example 2: Functionality of UART0 in VLPS mode.....	87

Chapter 9 Universal Serial Bus OTG Module

9.1	Introduction.....	91
9.2	Features.....	91
9.3	USB operation modes.....	91
9.4	Voltage regulator operation modes.....	92
9.5	Module configuration.....	94
9.5.1	Module dependencies.....	94
9.5.2	USB initialization process.....	94

Section number	Title	Page
9.5.3	Voltage regulator initialization.....	96
9.6	Hardware implementation.....	96
9.6.1	Connection diagram.....	96
9.6.2	Components and placement suggestions.....	98
9.6.3	Layout recommendations.....	99
9.7	Example code.....	100
9.7.1	Device code.....	100
9.7.2	Host code.....	101

Chapter 10 Touch Sense Input (TSI) Module

10.1	Overview.....	105
10.2	Introduction.....	105
10.3	Features.....	107
10.4	TSI configuration.....	108
10.4.1	Configuration Example.....	110
10.4.1.1	Code Example and Explanation.....	111
10.5	TSI hardware implementation.....	112
10.5.1	PCB Routing and Placement.....	113

Chapter 11 Using Low-Power Timer (LPTMR) to Schedule Analog-to-Digital Converter (ADC) Conversion

11.1	Overview.....	115
11.1.1	Introduction.....	115
11.1.2	Features.....	116
11.2	Configuration example.....	117
11.2.1	LPTMR-triggered single-ended ADC conversion.....	117
11.2.1.1	Turn on ADC and LPTMR clock gate.....	118
11.2.1.2	Configure SIM for ADC trigger.....	118
11.2.1.3	Configure the LPTMR	118
11.2.1.4	Determine the ADC configuration.....	118

Section number	Title	Page
11.2.1.5	Using the ADC driver.....	119
11.2.1.6	Calibrate the ADC.....	119
11.2.1.7	Enable the LPTMR and ADC interrupt.....	119
11.2.1.8	Start the LPTMR timer counting.....	120
11.2.1.9	Handling LPTMR and ADC interrupt.....	120
11.2.2	ADC device hardware implementation.....	120
11.2.3	LPTMR device hardware implementation.....	120
11.3	PCB design recommendations.....	121
11.3.1	Layout guidelines.....	121
11.3.1.1	General routing and placement.....	121
11.3.2	ESD/EMI considerations	121

Chapter 12 Timer/PWM Module (TPM)

12.1	Overview.....	123
12.2	Introduction.....	123
12.3	Features.....	123
12.3.1	TPM clock.....	124
12.3.2	Interrupts and DMA.....	124
12.3.3	Modes of operation.....	124
12.3.4	Initialization of TPM.....	125
12.3.5	Updating MOD and CnV.....	125
12.3.6	TPM period.....	125
12.3.7	TPM triggers.....	126
12.3.8	Additional features.....	126
12.4	Configuration examples.....	127
12.4.1	Example 1 – Edge Aligned PWM and Input Capture Mode.....	127
12.4.2	Example 2 – TPM functionality in low power stop mode.....	131



Chapter 1

General System Setup (Software Considerations)

1.1 Software considerations

1.1.1 Overview

This chapter provides a quick look at some of the general characteristics of the Kinetis L series of MCUs. This is a brief introduction of the operation of the devices and typical software initialization.

For more information, see the device-specific reference manual and data sheet.

1.1.2 Code execution

The Kinetis L series features embedded Flash and SRAM memory for data storage and program execution.

1.1.3 Reset and booting

When the processor exits reset, it fetches the initial stack pointer (SP) from vector table offset 0 and the program counter (PC) from vector table offset 4. The initial vector table must be located in the flash memory at the base address (0x0000_0000). However, the vector table can be relocated to SRAM after the boot-up sequence if desired. This device supports booting from internal flash and RAM. This device supports booting from internal flash with the reset vectors located at addresses 0x0 (initial SP_main), 0x4 (initial PC), and RAM with the relocation of the exception vector table to RAM.

After fetching the stack pointer and program counter, the processor branches to the PC address and begins executing instructions.

For more information, see the "Reset and Boot" chapter of the device-specific reference manual.

1.1.3.1 Device state during reset

With the exception of the SWD pins, during reset the digital I/O pins go to a disabled (high impedance) state with internal pullups/pulldowns disabled. Pins with analog functionality will default to their analog functions.

1.1.3.2 Device state after reset

After reset, the digital I/O pins remain disabled until enabled by software. Also, interrupts are disabled and the clocks to most of the modules are off. The default clock mode after reset is FLL Engaged Internal (FEI) mode. In this mode, the system is clocked by the frequency-locked loop (FLL) using the slow internal reference clock as its reference. The watchdog timer is active; therefore it will need to be serviced, or disabled if debugging. The core clock, system clock, and flash clock are enabled after reset to support booting. Also, the flash memory controller cache and prefetch buffers are enabled.

1.1.4 Typical system initialization

The following is a summary of typical software initialization. The code snippets are taken from a "hello_world" project written in IAR Embedded Workbench. This project is available in the Kinetis sample code found in the file KL25_SC.exe which accompanies this guide.

1.1.4.1 Lowest level assembly routines

These routines are assembly source code found in the file crt0.s. The address of the start of this code is placed in the vector table offset 4 (initial program counter) so that it is executed first when the processor starts up. This is accomplished by labeling this section, exporting the label, and placing the label in the vector table. The vector table can be found in vectors.h. In this example the label used is __startup.

1.1.4.1.1 Initialize general purpose registers

As a general rule, it is recommended to initialize the processor general purpose registers (R0-R7) to zero. One way of doing this is with the LDR instruction.

```

LDR    r0,=0           ; Initialize the GPRs
LDR    r1,=0
LDR    r2,=0
LDR    r3,=0
LDR    r4,=0
LDR    r5,=0
LDR    r6,=0
LDR    r7,=0

```

1.1.4.1.1.1 Unmask interrupts at ARM core

```

CPSIE  i               ; Unmask interrupts

```

1.1.4.1.1.2 Branch to start of C initialization code

```

import start
        BL    start           ; call the C code

```

1.1.4.2 Startup routines

These routines are C source code found in the files start.c and sysinit.c. This code provides general system initialization that may be adapted depending on the application.

1.1.4.2.1 Disable watchdog

For code development and debugging, it is best to disable the watchdog. The COP can be disabled by clearing COPCTRL[COPT] in the SIM.

```

/* Disable the watchdog timer */
SIM_COPC = 0x00;

```

1.1.4.2.2 Initialize RAM

Depending on the application, the following steps may be required. First, copy the vector table from flash to RAM, copy initialized data from flash to RAM, clear the zero-initialized data section, and copy functions from flash to RAM.

1.1.4.2.3 Enable port clocks

To configure the I/O pin muxing options, the port clocks must first be enabled. This allows the pin functions to later be changed to the desired function for the application.

```

SIM_SCGC5 |= (SIM_SCGC5_PORTA_MASK
              | SIM_SCGC5_PORTB_MASK
              | SIM_SCGC5_PORTC_MASK
              | SIM_SCGC5_PORTD_MASK
              | SIM_SCGC5_PORTE_MASK );

```

1.1.4.2.4 Ramp system clock to selected frequency

The Multipurpose clock generator (MCG) provides several options for clocking the system. Configure the MCG mode, reference source, and selected frequency output based on the needs of the system.

1.1.4.2.5 Enable pin interrupt

In this example, pin PTA4 is connected to a push button. An interrupt is generated when the button is pressed. A GPIO interrupt is used instead of an NMI interrupt because an edge-sensitive interrupt is preferred versus a level-sensitive interrupt. This ensures that one interrupt will occur per button press.

Interrupts need to be enabled in the ARM core, as described in the sections detailing NVIC.

```
/* Configure the PTA4 pin for its GPIO function */
PORTA_PCR4 = PORT_PCR_MUX(0x1); // GPIO is alt1 function for this pin

/* Configure the PTA4 pin for rising edge interrupts */
PORTA_PCR4 |= PORT_PCR_IRQC(0x9);

/* Initialize the NVIC to enable the specified IRQ */
enable_irq(30);
```

NOTE

To save space, the `enable_irq()` function is not shown. See the interrupts section for details on how to enable the IRQ. Also, to save space, the interrupt service routine is not shown.

1.1.4.2.6 Enable UART for terminal communication

See the section describing UART in this document for more information.

1.1.4.2.7 Jump to start of main function for application

```
/* Jump to main process */
main();
```

Chapter 2

General System Setup (Hardware Considerations)

2.1 Hardware considerations

2.1.1 Overview

This chapter will outline the best practices for hardware design when using the Kinetis L series MCUs. The designer must consider numerous aspects when creating the system so that performance, cost, and quality meet the end-user expectations. Performance usually implies high speed digital signalling, but it also applies to accurate sampling of analog signals. Cost is influenced by component selection, of which the PCB may be the most expensive element. Quality involves manufacturability, reliability, and conformance to industry or governmental standards.

Evaluation boards are great for evaluating the operation and performance of the many features of Freescale MCUs. However, evaluation systems are not ideal examples for implementation of robust system design techniques. This document will mention some of the hardware techniques found on the Freescale Tower Systems, and will give recommendations that are more appropriate to conventional systems that are not required to implement all of the feature options.

2.1.2 Floorplan

The organization of the printed circuit board (PCB) depends on many factors. Typically, there are connectors, mechanical components, high speed signals, low speed signals, switches, and power domains, among others, that need to be considered. While placement of connectors and some mechanical components (switches, relays, and so on) is critical to the end product's form, there are some basic recommendations that can significantly affect the electrical performance and electromagnetic compatibility (EMC) of the PCB assembly.

2.1.2.1 Connectors

The PCB should be organized so that all of the connectors are along one edge of the board and away from the MCU. The concept here is to prevent placing the MCU in between connectors that can become effective radiators when cables are attached. This also keeps the MCU from being in the path of high energy transients that can shoot across the board from one connector to another. Connectors may be placed on adjacent edges of the PCB if necessary, but only when the MCU is not in a direct path between the connectors.

Connector locations should allow for placement of filter components. Noise must be suppressed at the connector, before it can propagate onto the PCB. For more information on this topic, see the input filtering section.

2.1.3 PCB routing considerations

This section covers critical power and filtering aspects of PCB layout.

2.1.3.1 Power supply routing

Routing of power and ground to digital systems is a topic that is discussed and debated in many textbooks and references. The basic concept is to ensure that the MCU and other digital components have a low impedance path to the power supply. The typical guidance that was given for one and two layer PCBs was to use wide traces and few layer transitions. The recommendations for today's high speed MCUs follow those given for high speed microprocessor systems – specifically, use planes for power and ground. This may raise the PCB cost, but the benefits of crosstalk reduction, reduction of RF emissions, and improved transient immunity can be realized with lower overall production and maintenance costs.

In general, the ground routing should take precedence over any other routing. Ground planes or traces should never be broken by signals. For packages with leads, like the LQFP, a ground plane directly below the MCU package is recommended to reduce RF emissions and improve transient immunity. All of the VSS pins of the MCU should be tied to a ground plane. Ground traces from a plane should be kept as short as possible as they are routed to circuitry on signal layers (top and bottom). Power planes may be broken to supply different voltages. All of the VDD pins of the MCU should be tied to

the proper power plane. Power traces from the planes should be kept as short as possible as they are routed to circuitry, such as pullups, filters, other logic and drivers, on the top and bottom layers. More information is given in the PCB layer stack-up section below.

2.1.3.2 Power supply decoupling and filtering

Bypass capacitors, while also called decoupling capacitors, are the storage elements that provide the instantaneous energy demanded by the high speed digital circuits.

Power supply bypass capacitors must be placed close to the MCU supply pins. The basic concept is that the bypass capacitor provides the instantaneous current for every logic transition within the MCU. Fortunately, each Kinetis MCU has a low voltage internal regulator for the MCU core logic, therefore the abrupt current demands of the internal high speed logic are not as critical. However, external signals demand energy from the power rails when they transition from one logic level to the other. The bypass capacitors provide the local filtering so that the effects of the external pin transitions are not reflected back to the power supply, which causes RF emissions.

The basic rule of placing bypass capacitors as close as possible to the MCU is still appropriate. The idea is to minimize the loop created by the capacitor between the VDD and VSS pins. The implementation of this rule depends on the number of mounting layers, how the supplies are routed, and the physical size of the capacitors:

- Number of mounting layers – PCBs with components mounted only on the top side will have a significant limitation on how close the bypass caps can be located due to the number of components that require space. PCBs that have components mounted on both sides of the PCB allow closer placement of the bypass capacitors.
- Supply routing – With the Ball Grid Array (BGA) package, all of the VDD/VSS pairs are routed to other layers under the package. This allows easier attachment of the VDD and VSS pins to the power and ground planes within those layers. The bypass capacitors can be placed in the area below the MCU, with connections very close to the power pins. See the following figure.

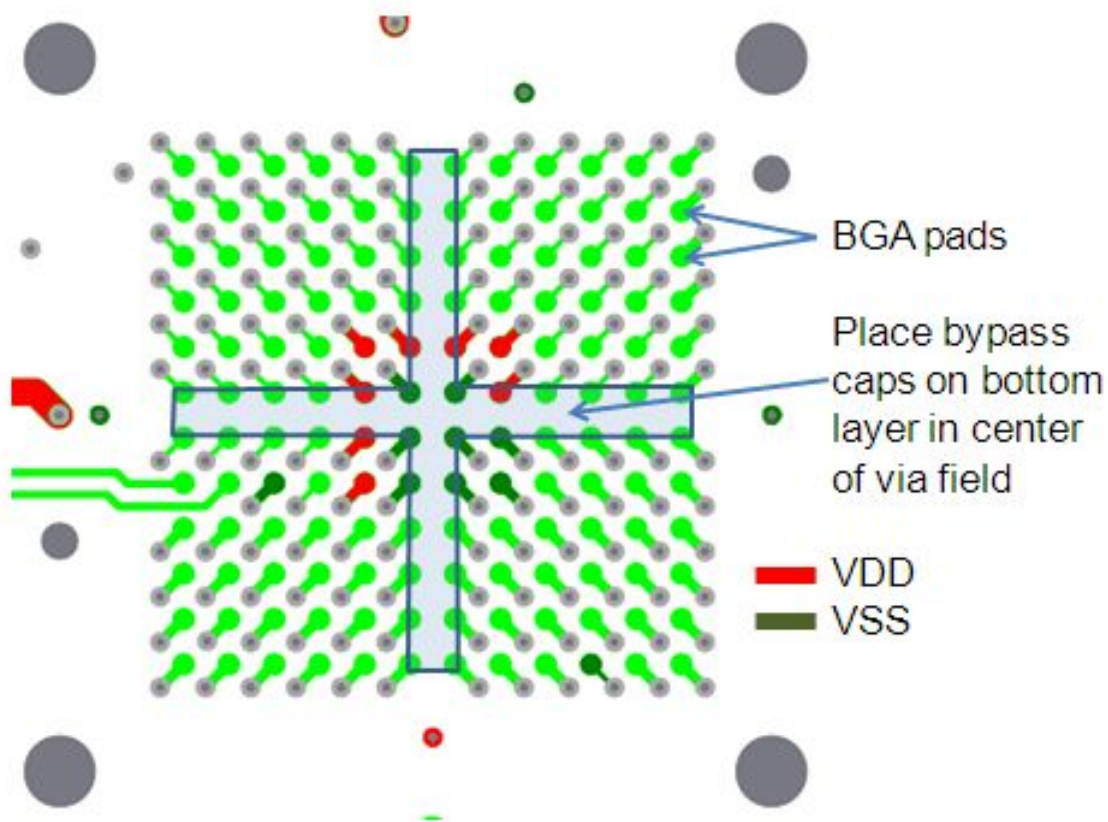


Figure 2-1. K60 TWR board top layer BGA pad arrangement

- Supply routing – For Quad Flat Pack (QFP) packages, the power supply pins may be supplied radially to the MCU using traces rather than from planes. Although it is adequate to place the bypass capacitors close to the VDD and VSS pins on the traces leading to the MCU, it is better to have the ground side of the bypass capacitor tied to the ground plane (through a via and short trace) close to the VSS pin and the VDD side tied to the power plane (through a via and short trace) close to the VDD pin.

2.1.3.3 Oscillators

The Kinetis MCU starts up with an internal digitally controlled oscillator (DCO) to control the bus clocking, and then software can be used to enable an external oscillator if desired. The external oscillator for the multipurpose clock generator (MCG) can range from a 32.768 kHz crystal up to a 32 MHz crystal or ceramic resonator.

2.1.3.3.1 MCG oscillator

The high speed oscillator that can be used to source the MCG module is very versatile. The component choices for this oscillator are detailed in the device-specific reference manual. The placement of this crystal or resonator is described here.

The EXTAL and XTAL pins are located on the outside pad ring of the BGA package and on corner pins of the LQFP/QFN package. This allows room for placement and routing of the crystal or resonator on the top layer, close to the MCU. The feedback resistor and load capacitors, if needed, can be placed on the top layer as well. See [Figure 2-2](#), [Figure 2-3](#), and [Figure 2-4](#).

Note that the low power modes of this oscillator do not require a feedback resistor, and may not require external load capacitors. See the device-specific reference manual for details. This makes it as simple as possible because only one component has to be placed and routed. Low power oscillators are more susceptible to interference by system generated noise, therefore the guidelines for crystal routing are important.

The crystal or resonator must be located close to the MCU. No signals of any kind should be routed on the layer directly below the crystal. The load capacitors and ground of the crystal package must be connected to a single ground trace coming from the closest VSS pin or the recommended ground under the MCU. An unbroken ground plane on the layer directly below the crystal is recommended. A ground pour must be placed around the crystal and its load components to protect it from crosstalk from adjacent signals on the mounting layer.

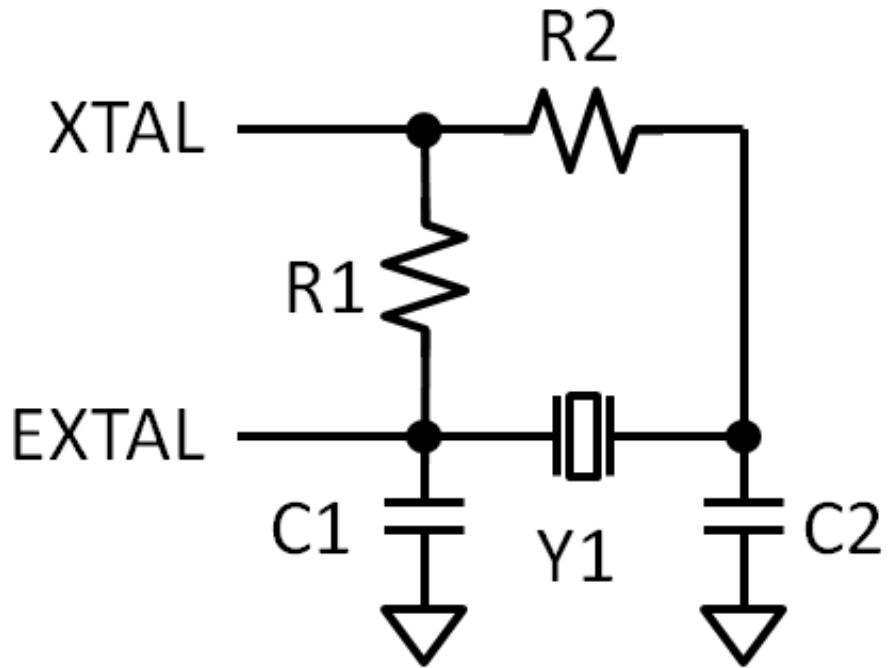


Figure 2-2. Typical crystal circuit

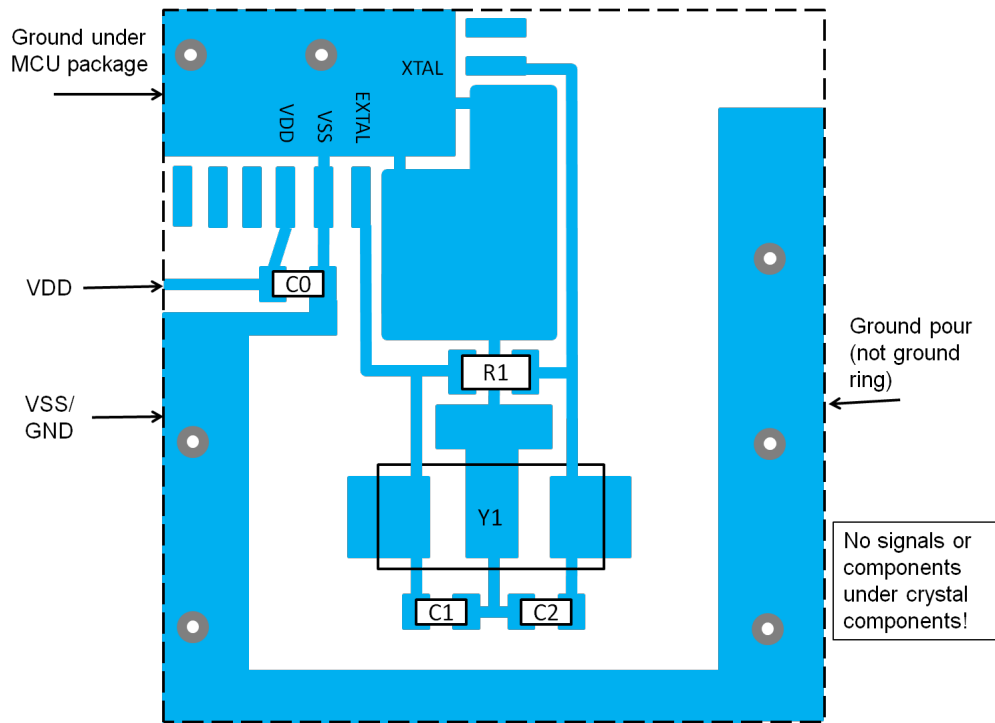


Figure 2-3. Crystal layout for low power oscillator

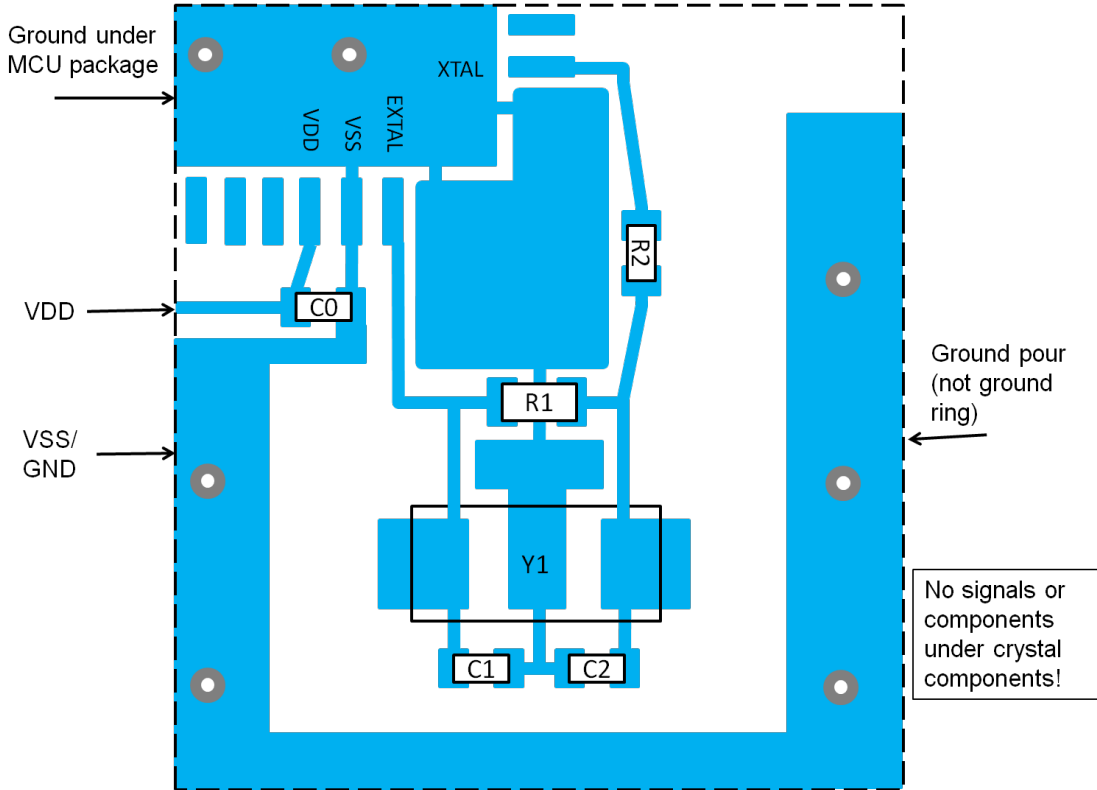


Figure 2-4. Crystal layout for high power oscillator

Kinetis L Peripheral Module Quick Reference, Rev. 0, 09/2012

2.1.3.4 General filtering

General purpose I/O pins should have adequate isolation and filtering from transients.

2.1.3.4.1 RESET_b and NMI_b

The RESET_b pin, if enabled, should have a 100 nF capacitor close to the MCU for transient protection. The NMI_b pin, if enabled, must not have any capacitance connected to it. Each pin, when enabled as their default function, has a weak internal pullup, but an external 4.7 k Ω to 10 k Ω pullup is recommended. As with power pin filtering, it is recommended to minimize the ground loop for the capacitor and the VDD loop for the pullup resistor for these pins.

The RESET_b pin also has a configurable digital filter to reject potential noise on this input after power-up. The configuration bits are located in the RCM_RPFC register. While use of this filter may negate the need for the pullup and capacitor mentioned above, it is still recommended to use external filtering in electrically noisy environments.

2.1.3.4.2 General purpose I/O

General purpose inputs, such as low speed inputs, timer inputs, and signals from off-board should have low pass filters (series resistor and capacitor to ground) to prevent data corruption due to crosstalk or transients. The filter capacitor should be placed close to the MCU pin, while the resistor can be placed closer to the source.

Inputs that come from connectors should have low pass filtering at the connector to prevent noise from propagating onto the PCB. This requires a robust ground structure around the connector. Series resistors for signals that come from off-board should be placed as close to the connector as possible. A filter cap closer to the MCU input pin may be required if the signal trace length is very long and can pick up noise from other circuits.

Output pins must not have any significant capacitance placed close to the MCU. These signals can have capacitors at the load or connector to minimize radiated emissions if necessary.

2.1.3.4.3 Analog inputs

Analog inputs should also have low pass filters. The challenge with analog inputs, especially for high resolution analog-to-digital conversions, is that the filter design needs to consider the source impedance and sample time rather than a simple cutoff frequency. This topic cannot be discussed in detail here, but the general concept is that fast sample

times will require smaller capacitor values and source impedances than slow sample times. Higher resolution inputs may require smaller capacitor values and source impedances than lower resolution inputs.

In general, capacitor values can range from 10 pF for high speed conversions to 1 uF for low speed conversions. Series resistors can range from a few hundred Ohms to 10 k Ω .

2.1.4 PCB layer stack-up

The Kinetis L series MCUs are high speed integrated circuits. Care must be taken in the PCB design to ensure that fast signal transitions, such as rise/fall times and continuous frequencies, do not cause RF emissions. Likewise, transient energy that enters the system needs to be suppressed before it can affect the system operation (compatibility). The guidance from high speed PCB designers is to have all signals routed within one dielectric (core or prepreg) of a return path, which usually is a ground plane on a multi-layer PCB and an adjacent ground on a two layer PCB. This allows return currents to predictably flow back to the source without affecting other circuits, which is the primary cause of radiated emissions in electronic systems. This approach requires full planes within the PCB layer stack and partial planes (copper pours) on signal layers where possible. All ground planes and ground pours must be connected with plenty of vias. Likewise, all “like” power planes and power pours must be connected with plenty of vias.

Recommended layer stackups:

4-Layer PCB A:

Layer 1 (top – MCU location)—Ground plane and pads for top mounted components, no signals

Layer 2 (inner)—Signals and power plane

Thick core

Layer 3 (inner)—Signals and power plane

Layer 4 (bottom)—Ground plane and pads for bottom mounted components, no signals

4-Layer PCB B:

Layer 1 (top – MCU location)—Signals and poured power

Layer 2 (inner)—Ground plane

Thick core

Layer 3 (inner)—Ground plane

Layer 4 (bottom)—Signals and poured power

6-Layer PCB A:

Layer 1 (top – MCU)—Power plane and pads for top mounted components, no signals

Layer 2 (inner)—Signals and ground plane
 Layer 3 (inner)—Power plane
 Layer 4 (inner)—Ground plane
 Layer 5 (inner)—Signals and power plane
 Layer 6 (bottom)—Ground plane and pads for bottom mounted components, no signals

6-Layer PCB B:

Layer 1 (top – MCU)—Signals and power plane
 Layer 2 (inner)—Ground plane
 Layer 3 (inner)—Signals and power plane
 Layer 4 (inner)—Ground plane
 Layer 5 (inner)—Power plane
 Layer 6 (bottom)—Signals and ground plane

6-Layer PCB C:

Layer 1 (top – MCU)—Signals and power plane
 Layer 2 (inner)—Ground plane
 Layer 3 (inner)—Signals and power plane
 Layer 4 (inner)—Signals and ground plane
 Layer 5 (inner)—Power plane
 Layer 6 (bottom)—Signals and ground plane

8-Layer PCB A:

Layer 1 (top – MCU)—Signals
 Layer 2 (inner)—Ground plane
 Layer 3 (inner)—Signals
 Layer 4 (inner)—Power plane
 Layer 5 (inner)—Ground plane
 Layer 6 (inner)—Signals
 Layer 7 (inner)—Ground plane
 Layer 8 (bottom)—Signals

8-Layer PCB B:

Layer 1 (top – MCU)—Signals and power plane
 Layer 2 (inner)—Ground plane
 Layer 3 (inner)—Signals and power plane
 Layer 4 (inner)—Ground plane
 Layer 5 (inner)—Power plane
 Layer 6 (inner)—Signals and ground plane
 Layer 7 (inner)—Power plane
 Layer 8 (bottom)—Signals and ground plane

8-Layer PCB C:

- Layer 1 (top – MCU)—Signals and ground plane
- Layer 2 (inner)—Power plane
- Layer 3 (inner)—Ground plane
- Layer 4 (inner)—Signals
- Thick core
- Layer 5 (inner)—Signals
- Layer 6 (inner)—Ground plane
- Layer 7 (inner)—Power plane
- Layer 8 (bottom)—Signals and ground plane

8-Layer PCB D:

- Layer 1 (top – MCU)—Signals and ground plane
- Layer 2 (inner)—Power plane
- Layer 3 (inner)—Ground plane
- Layer 4 (inner)—Signals and power plane
- Thick core
- Layer 5 (inner)—Signals and power plane
- Layer 6 (inner)—Ground plane
- Layer 7 (inner)—Power plane
- Layer 8 (bottom)—Signals and ground plane

In general, avoid placing one signal layer adjacent to another signal layer.

2.1.5 Other module hardware considerations

2.1.5.1 Debug interface

The Kinetis L series MCUs use the Cortex Debug interfaces for debugging and programming. The 19-pin Cortex Debug interfaces provides connections for Serial Wire debugging, as well as target power. The 9-pin Cortex Debug interfaces provides connections for Serial Wire debugging only. [Figure 2-5](#) shows the 20-pin header implementation with 19 pins populated. [Figure 2-6](#) shows the 10-pin header implementation with 9 pins populated as used on the TWR system and Freedom boards.

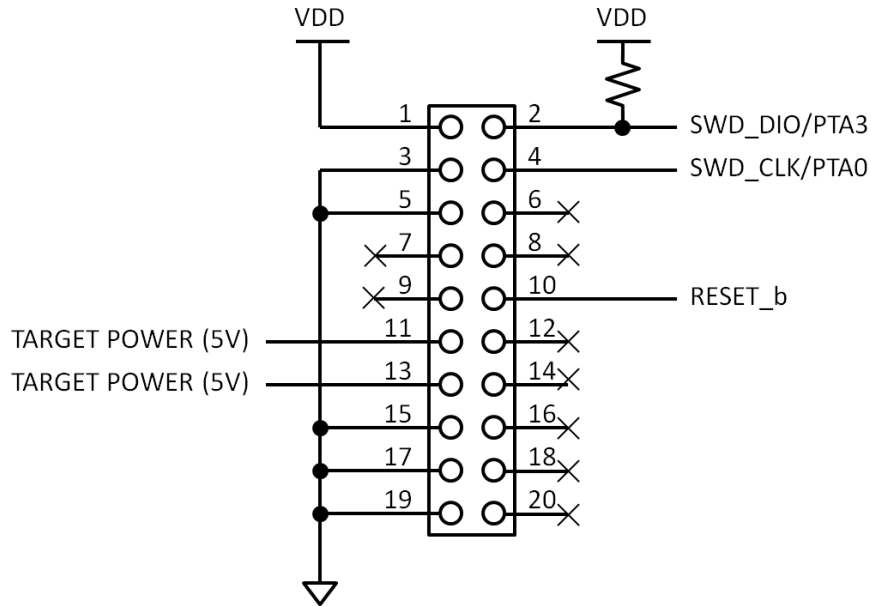


Figure 2-5. 20-pin debug interface

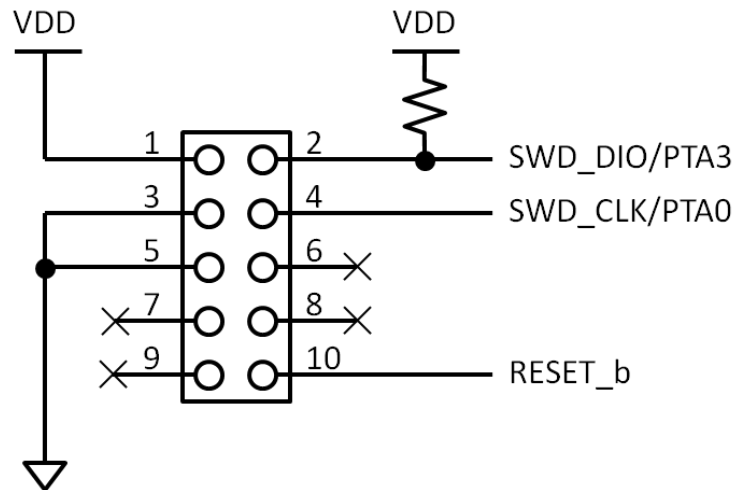


Figure 2-6. 10-pin debug interface

The debug signals are multiplexed with general purpose I/O pins, therefore some signals will require proper biasing to select the operating mode. The SWD_CLK pin has an internal pull down device and SWD_DIO has an internal pull up device. The connectors for this interface are keyed dual row 0.050" centered headers. When implementing either of these headers on a target system, pin 7 must be depopulated to use the 19-pin or 9-pin adapters from the debug tool. The Samtec part numbers for these connectors are:

- FTSH-110-01-L-DV-K – 20-pin keyed connector
- FTSH-105-01-L-DV-K – 10-pin keyed connector
- FTSH-110-01-L-DV – 20-pin connector, no key
- FTSH-105-01-L-DV – 10-pin connector, no key

This interface is useful during the development phase of a project. The header may not need to be populated in the production phase of the project, but the PCB pads should be kept available for future debugging purposes.

Chapter 3

Nested Vector Interrupt Controller (NVIC)

3.1 NVIC

3.1.1 Overview

This chapter shows how the NVIC is integrated into the Kinetis MCUs and how to configure it and set-up module interrupts. It also demonstrates the steps to set the interrupts for the desired peripheral and how to locate the vector table from flash to RAM.

3.1.1.1 Introduction

The NVIC is a standard module on the ARM Cortex M series. This module is closely integrated with the core and provides very low latency entering and exiting an interrupt service routine (ISR). It takes 15 cycles to exit an ISR, unless the exit from the interrupt is into another pending ISR. In this case, the MCU tail-chains and the exit and re-entry takes 11 cycles.

The NVIC provides four different interrupt priorities which can be used to control the order in which interrupts must be serviced. Priorities are 0-3, with 0 receiving the highest priority. For example, in a motor-control application, if a timer interrupt and UART occur simultaneously, the timer interrupt that moves the motor is more critical than the UART interrupt receiving a character. The timer priority must be set higher than the UART.

3.1.1.2 Features

On Kinetis L series MCUs the NVIC provides up to 48 interrupt sources including 16 that are core specific. It also implements up to four priority levels that are fully programmable. The NVIC uses a vector table to manage the interrupts. This vector table can be stored in either flash or RAM, depending on the application.

Table 3-1. Core exceptions

Address	Vector	IRQ	Source module	Source description
ARM Core System Handler Vectors				
0x0000_0000	0	—	ARM core	Initial stack pointer
	1	—	ARM core	Initial program Counter
	2	—	ARM core	Non-maskable Interrupt (NMI)
	3	—	ARM core	Hard fault
	11	—	ARM core	SVCALL
	12	—	—	—
	14	—	ARM core	Pendable request for system service
	15	—	ARM core	System tick timer(SysTick)

3.1.2 Configuration examples

The NVIC is easy to configure, as demonstrated in the following examples. The first example shows how to configure the NVIC for a module, using the low power timer (LPTMR) as a base. The second example shows how to locate the vector table from the flash to RAM.

3.1.2.1 Configuring the NVIC

Configuring the NVIC for the specific module involves writing three registers: NVIC Set Enable Register (NVICSERx), NVIC Clear Pending Register (NVICCPRx), and NVIC Interrupt Priority (NVICIPxx). After the NVIC is configured and the desired peripheral has its interrupts enabled, the NVIC serves any pending request from that module by going to the module's ISR.

3.1.2.1.1 Code example and explanation

This example shows how to set up the NVIC for a specific module, using the LPTMR.

The steps to configure the NVIC for this module are:

1. Identify the vector number and the IRQ number of the module from the vector table in the device-specific reference manual in the section *Interrupt Channel Assignments*. For the LPTMR the vector is 44.

Table 3-2. LPTMR vector

Address	Vector	IRQ	Source Module	Source Description
0x0000_00A8	42	26	TSI	
0x0000_00AC	43	27	MCG	
0x0000_00B0	44	28	LPTMR	

2. Determine which NVICSERx register contains the IRQ. Each NVICSERx register contains 32 IRQs. Therefore, the NVICSER0 can enable from IRQ 0 to IRQ 31. In this example, NVICSER0 is used, and the LPTMR IRQ is 28. The NVICCPRx uses the same number, in this case, NVICCPR2.
3. To find out which bit to set, perform a modulo operation dividing the IRQ number by 32. This number is used to enable the interrupt on NVICSER0 and to clear the pending interrupts from NVICCPR0.

Example:

LPTMR BIT = 28 mod 32

LPTMR BIT = 28

4. At this point, the interrupt for the LPTMR can be configured:

```
NVICICPR0|= (1<<28); //Clear any pending interrupts on LPTMR
NVICISER0|= (1<<28); //Enable interrupts from LPTMR module
```

5. Next, set the interrupt priority level. This is application dependent. On Kinetis L-Series MCUs there are four different priority levels. To set the priority, write to the NVICIPxx register; the "xx" represents the IRQ number, which is NVICIP85 in this example. Note the most significant nibble is used to set up the priority, the lower nibble is reserved and reads as zero. The LPTMR example sets the priority to 3:

```
NVIC_IPR7 = 0x03; //Set Priority 3 to the LPTMR module
```

6. After the NVIC registers are set up, finish the peripheral configuration that must enable the interrupt.
7. In the ISR, clear the peripheral interrupt flag and read back the status register to avoid re-entrance. For this example:

```
void vfnLPTMR_ISR (void)
{
```

```

LPTMR0_CSR|=LPTMR_CSR_TCF_MASK; //Clear LPTMR Compare flag
LPTMR0_CSR = ( LPTMR_CSR_TEN_MASK |
               LPTMR_CSR_TIE_MASK |
               LPTMR_CSR_TCF_MASK );
/*ISR code goes here*/
}

```

3.1.2.2 Relocating the vector table

Some applications need the vector table to be located in RAM. For example in an RTOS implementation, the vector table needs to be in RAM, which allows the Kernel to install ISRs by modifying the vector table during runtime.

The NVIC provides a simple way to reallocate the vector table. The user needs to set up the Vector Table Offset Register (VTOR) with the address offset for the new position.

If you plan to store the vector table in RAM, you must first copy the table from the flash to RAM. Also note that in some low power modes, a portion of the RAM will not be powered, which can lead to a vector table corruption. In this case, locate the vector table in the flash prior to entering a low power mode.

3.1.2.2.1 Code example and explanation

The CM0+ core adds support for a programmable Vector Table Offset Register (VTOR) to relocate the exception vector table. This device supports booting from internal flash. The vector table is initially in flash. If the vector table is needed in RAM, move it in this manner:

1. Copy the entire vector table from flash to RAM. The linker command file labels are useful in this step. Refer to the following sample code:

```

/*Address for VECTOR_TABLE and VECTOR_RAM come from the linker file*/

extern uint32 __VECTOR_TABLE[];
extern uint32 __VECTOR_RAM[];

/* Copy the vector table to RAM */
if (__VECTOR_RAM != __VECTOR_TABLE)
{
for (n = 0; n < 0x104; n++)
__VECTOR_RAM[n] = __VECTOR_TABLE[n];
}

```

2. After the table has been copied, set the proper offset for the VTOR register:

```

/* Point the VTOR to the new copy of the vector table */
write_vtor((uint32)__VECTOR_RAM);

```

It is important to follow these steps in order, to ensure that there is always a valid vector table.

Chapter 4

Clocking System

4.1 Clocking

4.1.1 Overview

This chapter will discuss the clocking system and the multipurpose clock generator (MCG) module. Examples will provide an overview of how to switch between the MCG modes and specifically how to enable the on-chip PLL for high-speed operation. Clock selection options will be discussed for the RTC.

4.1.2 Features

An example of the clocking system is summarized in the following figure. Not all clock sources will be available on specific devices. Refer to the individual device reference manual for full details of the available clock sources.

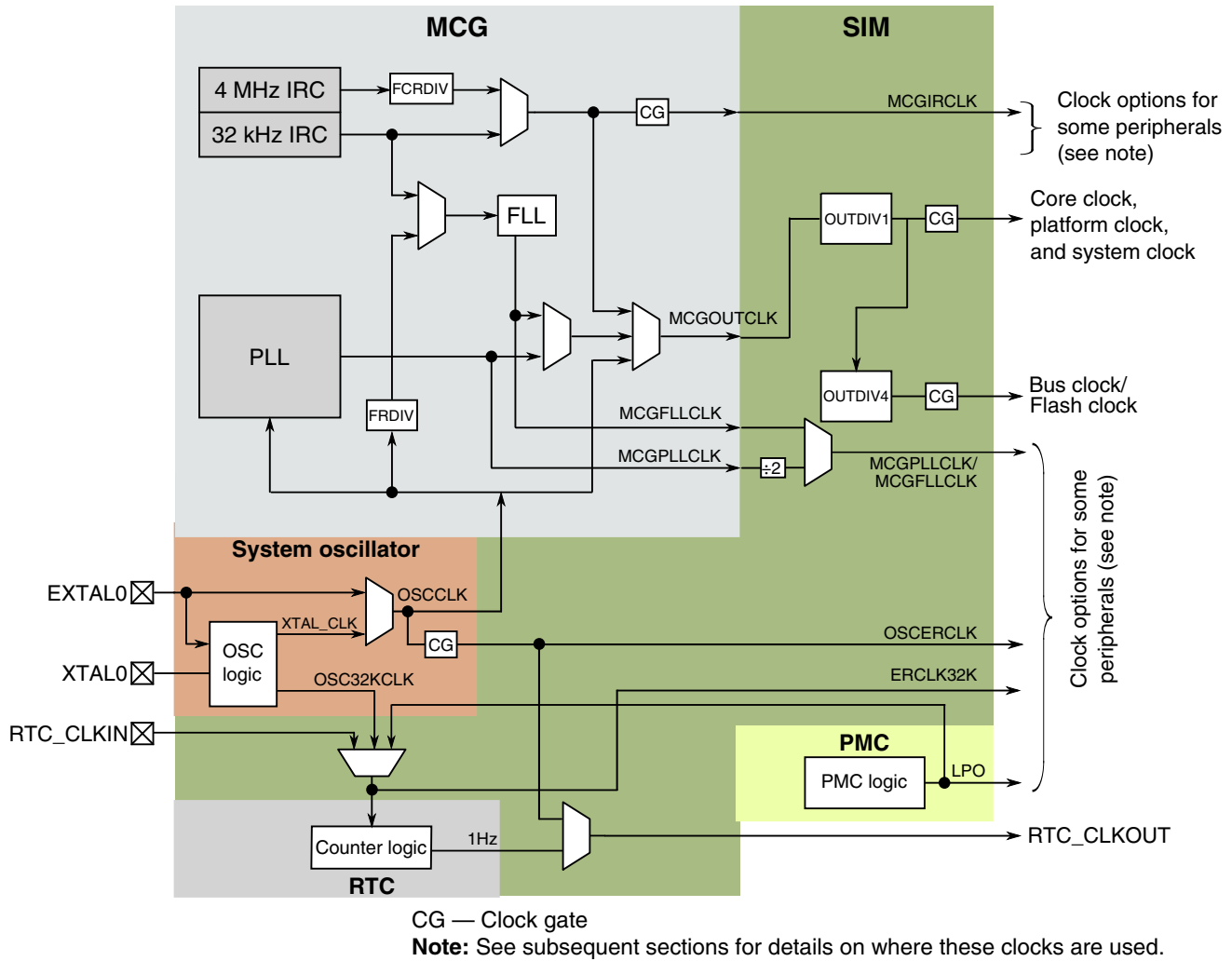


Figure 4-1. Clock distribution diagram

The system level clocks are provided by the MCG. The MCG consists of:

- Two individually trimmable internal reference clocks (IRC), a slow IRC with a frequency of ~32 kHz and a fast IRC with a frequency of ~4 MHz, which can be reduced by means of the FCRDIV divider
- Frequency locked loop (FLL) using the slow IRC or an external source as the reference clock
- Phase locked loop (PLL) using an external source as the reference clock (the PLL is not available on all devices)
- Auto trim machine (ATM) to allow both of the IRCs to be trimmed to a custom frequency using an externally-generated reference clock

The clocks provided by the MCG are summarized as follows:

- MCGOUTCLK – The main system clock used to generate the core, bus, and memory clocks. It can be generated from one of the on-chip reference oscillators, the on-chip crystal/resonator oscillator, an externally generated square wave clock, the FLL, or the PLL.
- MCGFLLCLK – The output of the FLL and is available any time the FLL is enabled.
- MCGPLLCLK – The output of the PLL and is available any time the PLL is enabled.
- MCGIRCLK – The output of the selected IRC. The selected IRC will be enabled whenever this clock is selected.

In addition to the clocks provided by the MCG, there are three other system level clock sources available for use by various peripheral modules:

- OSCERCLK – The clock provided by the system oscillator and is the output of the oscillator or the external square wave clock source.
- ERCLK32K – The output of the system oscillator if it is configured in low power mode at 32 kHz, the external RTC_CLKIN path or the low power oscillator (LPO).
- LPO – The output of the low power oscillator. It is an on-chip, very low power oscillator with an output of approximately 1 kHz that is available in all run and low power modes except VLLS0.

4.1.3 Configuration examples

The MCG can be configured in one of several modes to provide a flexible means of providing clocks to the system for a wide range of applications.

After exiting reset, or recovering from a very low leakage state, the MCG will be in FLL engaged internal (FEI) mode with MCGCLKOUT at 20.97 MHz, assuming a factory trimmed slow IRC frequency of 32.768 kHz. If a different MCG mode is required, the MCG can be transitioned to that mode under software control.

It is only possible to transition directly to certain MCG modes. Refer to the individual device reference manual for details on this. It may be required to transition through several modes to reach the desired MCG mode. When transitioning from one clock mode to another, you must ensure that you have fully entered that mode before moving to the next mode. The `mcg.c` file within the sample code contains examples of how to perform all the individual clock mode transitions. The `pll_init` function combines three of these individual transitions into one function. The specific MCG register operations will be discussed below.

In this example, the PLL will be configured to use an external 8 MHz clock from the crystal oscillator and generate a 96 MHz output frequency. This is a typical configuration when the USB module is being used. The MCGPLLCLK frequency is half the PLL

Clocking

frequency. When it is desired to provide the USB clock of 48 MHz, the PLL must be set at 96 MHz. The MCG is configured to minimize PLL jitter, that is, maximum PLL frequency with the minimum multiplication factor.

The first step is to move from the default FEI mode to the FLL bypassed external mode (FBE).

```
// first configure the oscillator settings in the MCG_C2 register
// the RANGE value is determined by the external frequency. Since the RANGE
// parameter affects the FRDIV divide value it still needs to be set correctly even
// if an external clock is being used

MCG_C2 = (MCG_C2_RANGE0(1) | MCG_C2_EREFS0_MASK);

// The FRDIV is determined by the reference clock frequency and should be set to
// keep the FLL ref clock frequency within the correct range. For 8MHz ref this
// needs to be a divide of 256
// The CLKS bits must be set to b'10 to select the external reference clock
// Clearing IREFS selects and enables the external oscillator

MCG_C1 = (MCG_C1_CLKS(2) | MCG_C1_FRDIV(3));

// When the external oscillator is used need to wait for OSCINIT to set

for (i = 0 ; i < 20000 ; i++)
{
    // jump out early if OSCINIT sets before loop finishes
    if (MCG_S & MCG_S_OSCINIT0_MASK) break;
}

// wait for Reference clock Status bit to clear

for (i = 0 ; i < 2000 ; i++)
{
    // jump out early if IREFST clears before loop finishes
    if (!(MCG_S & MCG_S_IREFST_MASK)) break;
}

// Wait for clock status bits to show clock source is ext ref clk

for (i = 0 ; i < 2000 ; i++)
{
    // jump out early if CLKST shows EXT CLK selected before loop finishes
    if (((MCG_S & MCG_S_CLKST_MASK) >> MCG_S_CLKST_SHIFT) == 0x2) break;
}

// Now in FBE
```

After making changes to clock selection bits or enabling either the oscillator or PLL, the appropriate status bits must be verified before continuing. A simple "while" loop is not recommended for polling the status bits. If for some reason the bit being checked does not update, the "while" loop will never exit, unless a timeout mechanism is used. A "for" loop is used here to perform this function. If a timeout is generated, a decision can be made about what to do depending on the status bits that failed to update. For example, if the oscillator does not start due to a damaged PCB trace, the decision to continue with an internal-only clocking mode can be made with an appropriate indication to the user or a central monitoring station.

When an external clock is being used, it is recommended to enable the clock monitor. This can be configured to generate an interrupt or a system reset. This is performed by the statement:

```
MCG_C6 |= MCG_C6_CME0_MASK;
```

The next step is to enable the PLL, and move to PLL bypassed external mode. This allows the PLL to lock while still clocking the system from the external reference clock.

```
// Configure MCG_C5 to set the PLL reference clock at the right frequency
MCG_C5 |= MCG_C5_PRDIV0(1); //set PLL ref divider to divide by 2

// Configure MCG_C6 to set the PLL multiplier and enable the PLL
// The PLLS bit is set to enable the PLL, MCGOUT still sourced from ext ref clk
temp_reg = MCG_C6; // store present C6 value (as CME0 bit was previously set)
temp_reg &= ~MCG_C6_VDIV0_MASK; // clear VDIV settings
temp_reg |= MCG_C6_PLLS_MASK | MCG_C6_VDIV0(0); // write new VDIV and enable PLL
MCG_C6 = temp_reg; // update MCG_C6

// wait for PLLST status bit to set
for (i = 0 ; i < 2000 ; i++)
{
    // jump out early if PLLST sets before loop finishes
    if (MCG_S & MCG_S_PLLST_MASK) break;
}

// Wait for LOCK bit to set
for (i = 0 ; i < 4000 ; i++)
{
    // jump out early if LOCK sets before loop finishes
    if (MCG_S & MCG_S_LOCK0_MASK) break;
}

// now in PBE
```

After the PLL is enabled and locked, the MCGOUTCLK can be switched to the PLL output. Before switching to this higher frequency clock you must set the system clock dividers to keep the system clock frequencies within specifications.

```
// set the core clock divider to divide by 2
// set the bus clock divider to divide by 2 (bus clock is sourced from core clock)
SIM_CLKDIV1 = (SIM_CLKDIV1_OUTDIV1(1) | SIM_CLKDIV1_OUTDIV4(1) );
```

Now it is possible to switch to the PLL.

```
// clear CLKS to switch CLKS mux to select the PLL as MCGCLKOUT
MCG_C1 &= ~MCG_C1_CLKS_MASK;

// Wait for clock status bits to update
for (i = 0 ; i < 2000 ; i++)
{
    // jump out early if CLKST = 3 before loop finishes
    if (((MCG_S & MCG_S_CLKST_MASK) >> MCG_S_CLKST_SHIFT) == 0x3) break;
}

// Now in PEE
```

4.1.3.1 Configuring the RTC clock source

The RTC does not have a dedicated oscillator, but the clock source can be selected from one of three options:

- The system oscillator when it is configured for 32 kHz, low power operation (OSC32KCLK)
- The RTC_CLKIN pin
- The LPO

The time keeping function of the RTC and the RTC_CLKOUT frequency will be correct only when a 32.768 kHz clock source is used. The LPO can be used only for a timed wake up function. The OSC32KCLK is only available when an external 32 kHz crystal is used and the oscillator low power mode is selected (MCG_C2[HGO0] = 0). The OSC32KCLK is available in all power modes except VLLS0. In VLLS0, the only clock source that is available for the RTC, and therefore a timed wake up, is the RTC_CLKIN selection.

To select the RTC_CLKIN in path, the GPIO mux must be set to the GPIO selection and SIM_SOPT1[OSC32KSEL] set to select the RTC_CLKIN path.

```
// Ensure PTC1 is configured as RTC input clock
PORTC_PCR1 = ~PORT_PCR_MUX_MASK ;
PORTC_PCR1 = PORT_PCR_MUX(1) ;
```

```
// RTC_CLKIN selected as the ERCLK32K
SIM_SOPT1 |= SIM_SOPT1_OSC32KSEL(2) ;
```

To select the OSC32KCLK the oscillator must be configured by means of the RTC_CR register and the SIM_SOPT1[OSC32KSEL] field set to select the OSC32KCLK.

```
// Enable the oscillator by means of the RTC_CR register
// Note that if it is desired to use the the internal load capacitors, they MUST be
// selected in the same register using the SCxP bits
OSC_CR |= OSC_CR_OSCE_MASK; // set the oscillator enable bit
```

```
// Oscillator selected as the ERCLK32K
SIM_SOPT1 &= ~SIM_SOPT1_OSC32KSEL_MASK; // Clear the OSC32KSEL field to select osc
```

Always enable the oscillator using the RTC_CR register rather than by configuring the MCG and OSC registers. The RTC registers are only reset during power on reset, whereas the MCG and OSC registers are reset by any reset and during VLLSx recovery. This allows the RTC to retain time keeping during any reset except POR.

To select the LPO as the RTC clock source only the SIM_SOPT1[OSC32KSEL] must be set to select the LPO.

```
// LPO selected as the ERCLK32K
SIM_SOPT1 |= SIM_SOPT1_OSC32KSEL(3) ;
```

4.1.4 Additional clock options

The Kinetis L series offers three new clock options. These allow for additional current savings by automatically shutting down system level clocks. These options are briefly described below. Refer to the device reference manual for further details.

4.1.4.1 Compute operation

Compute operation (CPO) is a means of reducing the the current consumption in RUN or VLPR modes. Access to the peripherals is not possible and only the platform resources are available, including the MCM, NVIC, IOPORT, and SysTick. CPO is intended to be used in computationally intensive applications when peripheral access is not required. Although the IOPORT is accessible, the GPIO input state cannot be read, but the GPIO output state can be controlled. Any off platform peripheral access will result in a bus error.

Asynchronous interrupts and DMA transfer requests are still available when using CPO. A DMA request will automatically exit CPO and re-enter CPO when it has completed. Most peripheral interrupts will require CPO to be exited before servicing them.

To enter or exit CPO simply requires that CPOREQ be set/cleared, and CPOACK be checked that it has updated appropriately.

```
/* Enter compute operation */
MCM_CPO |= MCM_CPO_CPOREQ_MASK; //
while(!(MCM_CPO & MCM_CPO_CPOACK_MASK));

/* Exit compute operation */
MCM_CPO &= ~MCM_CPO_CPOREQ_MASK;
while (MCM_CPO & MCM_CPO_CPOACK_MASK);
```

4.1.4.2 Partial stop

There are two partial stop options: Partial Stop 1 (PSTOP1) and Partial Stop 2 (PSTOP2).

In PSTOP1, the system enters STOP mode with the core, system, and bus clocks gated off but keeps the MCG clocks running and the PMC remains on. This allows for a faster wakeup at the expense of higher power consumption.

In PSTOP2, only the core and system clocks are gated off, and the MCG clocks and PMC remain on. This allows peripherals which are clocked by the bus clock to remain active.

The partial stop options are enabled by means of setting the appropriate STOP level in the SMC_STOPCTRL register.

```
/* Enter normal STOP */
SMC_STOPCTRL = SMC_STOPCTRL_PSTOPO(0); // this also clears the other register bits
```

```
/* Enter PSTOP1 */  
SMC_STOPCTRL = SMC_STOPCTRL_PSTOPO(1); // this also clears the other register bits  
  
/* Enter PSTOP2 */  
SMC_STOPCTRL = SMC_STOPCTRL_PSTOPO(2); // this also clears the other register bits
```

4.1.5 Clocking system device hardware implementation

It is possible to provide all the system level clocks from internal sources. However, if the PLL is to be used or an accurate reference clock is required, an external clock must be provided. This can be from an externally generated clock source that provides a square wave clock, or it can be from an internal oscillator using an external crystal or resonator.

The main system oscillator can be configured in various ways depending on the crystal frequency and mode being used. Refer to the device-specific reference manual for details. When the oscillator is configured for low power, an integrated oscillator feedback resistor is provided. The oscillator also has programmable internal load capacitors when it is configured as a 32kHz oscillator (RANGE = 0). The internal crystal load capacitors are selectable in software to provide up to 30 pF, in 2 pF increments, for each of the EXTAL and XTAL pins. This provides an effective series capacitive load of up to 15 pF. The parasitic capacitance of the PCB should also be included in the calculation of the total crystal load. The combination of these two values will often mean that no external load capacitors are required when using a 32 kHz crystal.

If either of the oscillator pins are not being used, they may be left unconnected in their default reset configuration or may be used as GPIO.

4.1.6 Layout guidelines for general routing and placement

Use the following general routing and placement guidelines when laying out a new design. These guidelines will help to minimize electromagnetic compatibility (EMC) problems:

- To minimize parasitic elements, surface mount components must be used where possible
- All components must be placed as close to the MCU as possible.
- If external load capacitors are required, they must use a common ground connection shared in the center
- If the crystal, or resonator, has a ground connection, it must be connected to the common ground of the load capacitors
- Where possible:

- Keep high-speed IO signals as far from the EXTAL and XTAL signals as possible
- Do not route signals under oscillator components - on same the layer or layer below
- Select the functions of pins close to EXTAL and XTAL to have minimal switching to reduce injected noise

4.1.7 References

The following list of application notes associated with crystal oscillators are available on the Freescale website at www.freescale.com. They discuss common oscillator characteristics, potential problems, and troubleshooting guidelines:

- [AN1706: Microcontroller Oscillator Circuit Design Considerations](#)
- [AN1783: Determining MCU Oscillator Start-Up Parameters](#)
- [AN2606: Practical Considerations for Working With Low-Frequency Oscillators](#)
- [AN3208: Crystal Oscillator Troubleshooting Guide](#)

Chapter 5

Power Management Control (PMC/SMC/LLWU/RCM)

5.1 Introduction

This chapter is a brief description of the power management features of the Kinetis L series 32-bit MCU.

There are four modules covered in this chapter:

- Power Management Controller (PMC)
- System Mode Controller (SMC)
- Low Leakage Wake-up Unit (LLWU)
- Reset Control Module(RCM)

5.2 Using the power management controller

5.2.1 Overview

This section will demonstrate how to use the power management controller (PMC) to protect an MCU from unexpected low V_{DD} events. References to other protection options will also be made.

5.2.2 Using the low voltage detection system

5.2.2.1 POR and LVD features

The POR and LVD functions allow protection of memory contents from brown out conditions and the operation of the MCU below the specified VDD levels. As noted in the module operation in the low power modes section, the LVD circuit is available only

in RUN, WAIT, and STOP modes. POR circuitry is on in all modes and can be optionally disabled in VLLS0. The user has control over whether LVD is used and whether the POR is enabled in the lowest power mode (VLLS0). When using the low voltage detect features, the user has full control over the LVD and LVW trip voltages. The LVW is a warning detect circuit and the LVD is reset detect circuit.

As voltage falls below the warning level, the LVW circuit flags the warning event and can cause an interrupt. If the voltage continues to fall, the LVD circuit flags the detect event and can either cause a reset or an interrupt. The user can choose what action to take in the interrupt service routine. If a detect is selected to drive reset, the LVD circuit holds the MCU in reset until the supply voltage rises above the detect threshold.

The POR circuit for the MCU will hold the MCU in reset based upon the VDD voltage. Before entering the VLLS0 low power mode, the user can choose to disable the POR circuit. Because the MCU is switched off in VLLS0, the POR protection is not really needed and can be disabled. This saves a few hundred nano amps of power while the MCU is in this mode.

If the POR circuit is disabled in VLLS0, the MCU will continue to hold the state of the pins until the VDD levels are much lower than the POR trip voltage levels.

Exiting VLLS0 follows the reset mode. The POR circuit is reenabled protecting the MCU operation during the recovery.

5.2.2.2 Configuration examples

LVD and LVW initialization code is given below: Notice the comments describing the chosen settings. You should select the parameter options for your application. The NVIC vector flag may be set and is cleared if interrupts are enabled. The Interrupt is enabled in the NVIC in this initialization with the call to function `enable_irq(LVD_irq_no)`:

```
/* *****  
/* LVD and LVD initialization routine.  
/* sets up the LVD and LVW control registers  
*  
* This function can be used to set up the low voltage detect  
* and warning. While the device is in the very low power or low  
* leakage modes, the LVD system is disabled regardless of LVDS1  
* settings. To protect systems that must have LVD always on,  
* configure the SMC's power mode protection register (PMPROT)  
* to disallow any very low power or low leakage modes from  
* being enabled.  
*  
* Parameters:  
* lvd_select = 0x00 Low trip point selected (V LVD = V LVDL )  
*             = 0x01 High trip point selected (V LVD = V LVDH )  
*             = 0x10 Reserved  
*             = 0x11 Reserved  
* lvd_reset_enable = 0x00 LVDF does not generate hardware resets  
*                   = 0x10 Force an MCU reset when LVDF = 1  
* lvd_int_enable = 0x00 Hardware interrupt disabled
```

```

*           = 0x20 Request a hardware interrupt if LVDF = 1
* lvw_select = 0x00 Low trip point selected (VLVW = VLVW1)
*           = 0x01 Mid 1 trip point selected (VLVW = VLVW2)
*           = 0x10 Mid 2 trip point selected (VLVW = VLVW3)
*           = 0x11 High trip point selected (VLVW = VLVW4)
* lvw_int_enable = 0x00 Hardware interrupt disabled
*           = 0x20 Request a hardware interrupt if LVWF = 1
*/

void LVD_Initialize(unsigned char lvd_select,
                   unsigned char lvd_reset_enable,
                   unsigned char lvd_int_enable,
                   unsigned char lvw_select,
                   unsigned char lvw_int_enable){
    /*enable LVD Reset ? LVD Interrupt.select high or low LVD */
    PMC_LVDSC1 = PMC_LVDSC1_LVDACK_MASK |
                (lvd_reset_enable) |
                lvd_int_enable |
                PMC_LVDSC1_LVDV(lvd_select);
    /* select LVW level 1,2,3 or 4 */
    PMC_LVDSC2 = PMC_LVDSC2_LVWACK_MASK |
                (lvw_int_enable) | //LVW interrupt?
                PMC_LVDSC2_LVWV(lvw_select);
    /* if interrupts requested
       clear pending flags in NVIC and enable interrupts */
    if (((PMC_LVDSC1 & PMC_LVDSC1_LVDIE_MASK)
        >>PMC_LVDSC1_LVDIE_SHIFT) |
        ((PMC_LVDSC2 & PMC_LVDSC2_LVWIE_MASK)
        >>PMC_LVDSC2_LVWIE_SHIFT))
    {
        enable_irq(LVD_irq_no); // ready for this interrupt.
    }
}

```

5.2.2.3 Interrupt code example and explanation

The LVD circuitry can be programmed to cause an interrupt. You should create a service routine to clear the flags and react appropriately. An example of such an interrupt service routine is given.

To clear a warning or detect interrupt flag two things must happen:

1. The VDD voltage must return to a nominal voltage above the threshold.
2. A write to the LVDACK bit must be done to clear the LVDF indicator or a write to the LVWACK bit must be done to clear the LVWF indicator.

If the ACK bit is written and the voltage does not go back above the threshold, the interrupt flag will not clear and the interrupt routine will be reentered.

```

void pmc_lvd_isr(void)
{
    if (PMC_LVDSC1 & PMC_LVDSC1_LVDF_MASK){
        printf("[LVD_isr]LV DETECT interrupt occurred");
    }
    if (PMC_LVDSC2 & PMC_LVDSC2_LVWF_MASK){
        printf("[LVD_isr]LV WARNING interrupt occurred");
    }
}

```

Using the low voltage detection system

```
// ack to clear initial flags
PMC_LVDSC1 |= PMC_LVDSC1_LVDACK_MASK;
PMC_LVDSC2 |= PMC_LVDSC2_LVWACK_MASK;
}
```

5.2.2.4 Hardware implementation

RESET PIN: The reset pin is an open drain and has an internal pullup device. The pin is driven out if the internal circuitry detects a reset. This is true for all resets, except when there is a recovery from the VLLSx modes.

Although the wake-up recovery from VLLSx modes is through the reset flow, the reset pin is not driven out of the MCU. The reason for this is that I/O is held in the pre-low-power mode entry state so the internal reset action is blocked from being driven out.

If reset is driven low for longer than minimum pulse width to pass the analog filter and the digital filter settings, the MCU will wake from any low-power mode and the PIN bit in the RCM_SRS0 register will be set.

The reset pin can be disabled by clearing the RESET_PIN_CFG bit in the Flash Option Register (FOPT).

VDD: The VDD supply pins can be driven between 1.71 V and 3.6 V DC.

The following diagram shows a representative timing diagram during POR.

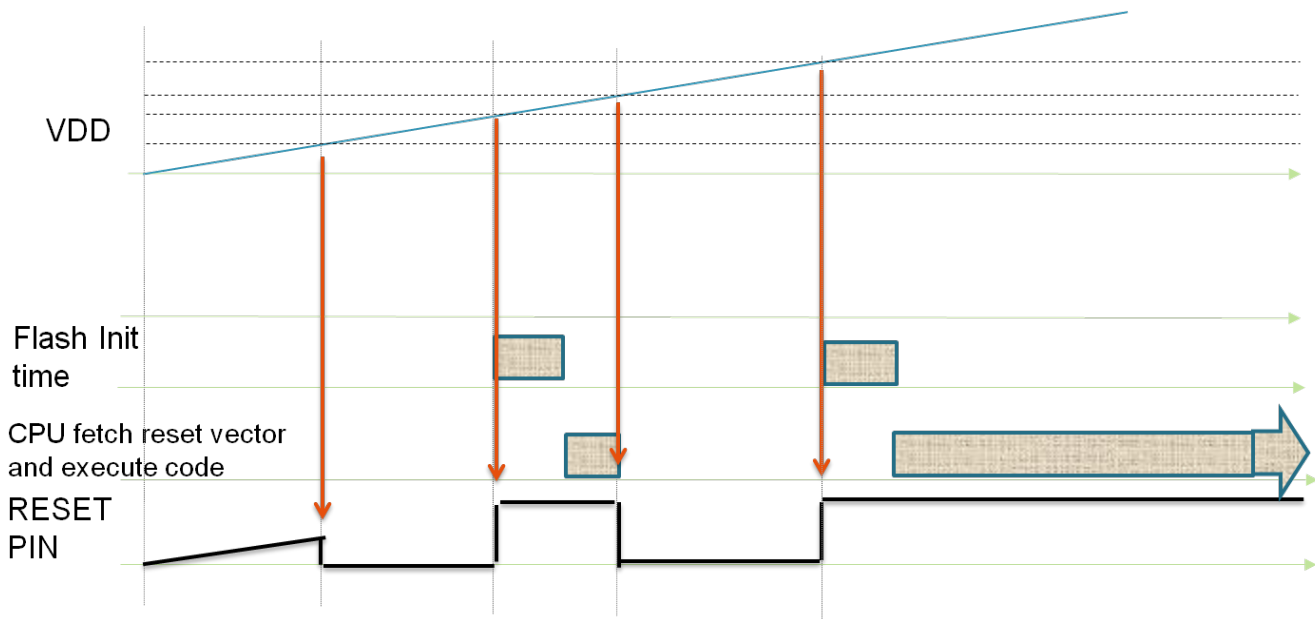


Figure 5-1. Representative timing diagram during POR

The following diagram shows the observed behavior of the reset pin during a ramp of VDD. In both of the following diagrams RESET asserts initially as the POR circuit is powered up. Next RESET is released when untrimmed LVD level is reached. Next RESET is asserted when LVD trim register is loaded, followed by RESET being released when trimmed LVD level is reached.

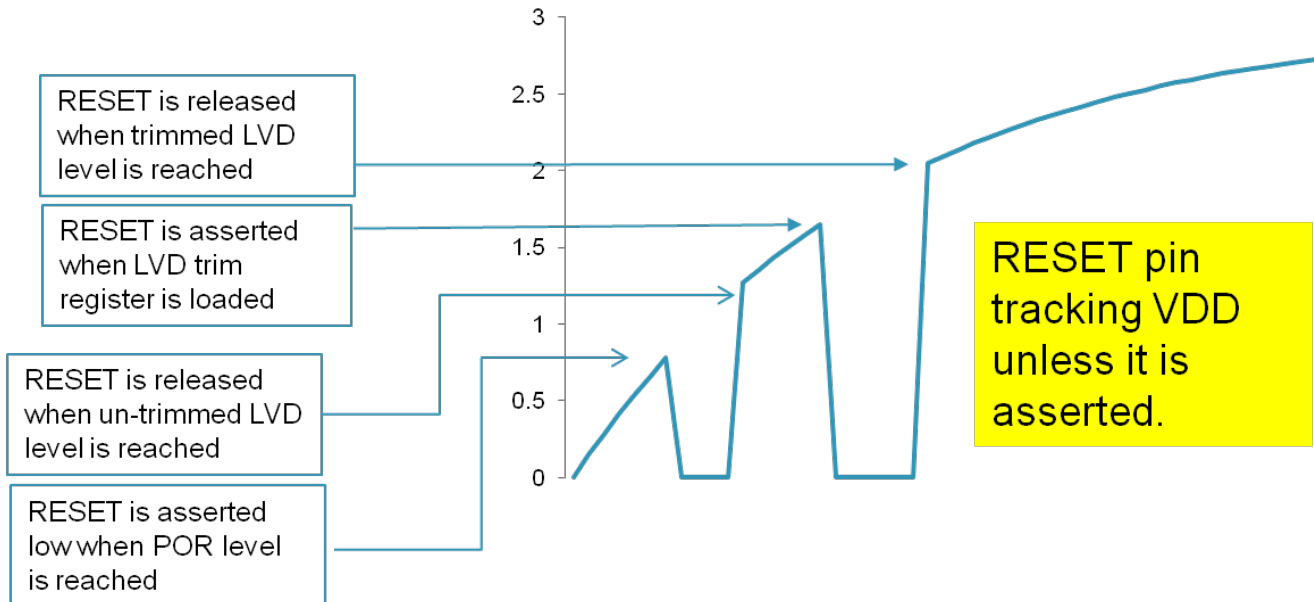


Figure 5-2. Observed RESET pin behavior during normal slow VDD rise

The following diagram shows the observed behavior of the reset pin during a fast ramp of VDD.

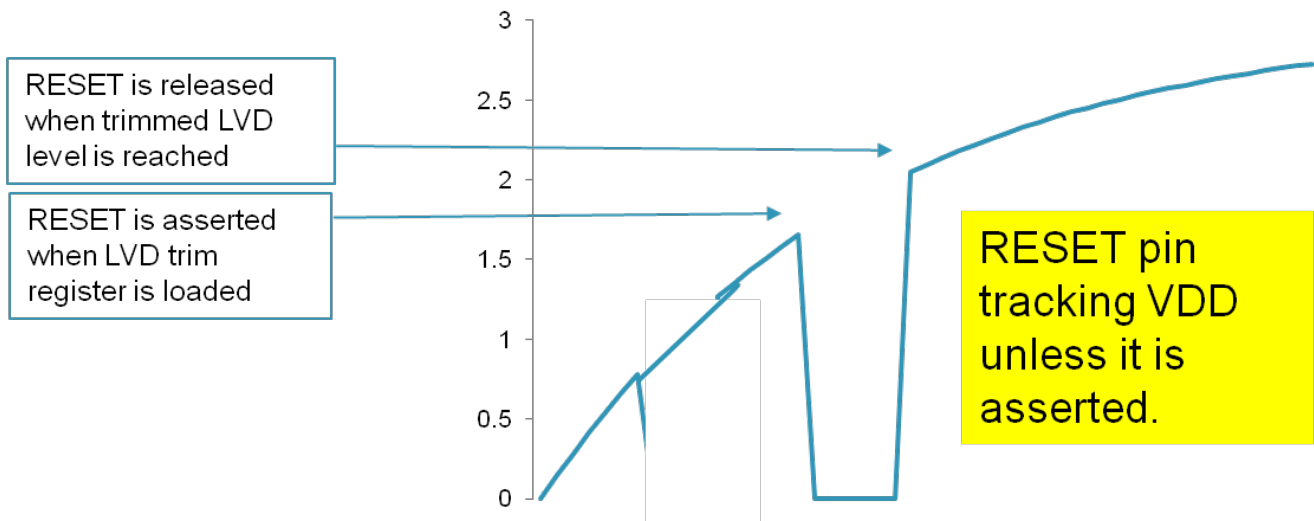


Figure 5-3. Observed RESET pin behavior during normal fast VDD rise

5.3 Using the system mode controller

5.3.1 Overview

This section will demonstrate how to use the system mode controller (SMC). The SMC is responsible for controlling the entry and exit from all of the run, wait, and stop modes of the MCU. This module works in conjunction with the RCM, PMC, and the LLWU to wake-up the MCU and move between power modes.

5.3.1.1 Introduction

There are 10 power modes and some new clocking options. These modes and options are described below.

1. Run — Default Operation of the MCU out of Reset, On-chip voltage regulator is On, full capability.
2. Very Low Power Run (VLPR) — On-chip voltage regulator is in a mode that supplies only enough power to run the MCU in a reduced frequency. Core and Bus frequency limited to 2 MHz.
3. Wait — ARM core enters Sleep mode, NVIC remains sensitive to interrupts, Peripherals Continue to be clocked.
4. Stop — ARM core enters DeepSleep mode, NVIC is disabled, WIC is used to wake up from interrupt, peripheral clocks are stopped.
5. Very Low Power Wait (VLPW) — ARM core enters Sleep mode, NVIC remains sensitive to interrupts (FCLK = ON), On-chip voltage regulator is in a mode that supplies only enough power to run the MCU at a reduced frequency.
6. Very Low Power Stop (VLPS) — ARM core enters DeepSleep mode, NVIC is disabled (FCLK = OFF), WIC is used to wake up from interrupt, peripheral clocks are stopped, On-chip voltage regulator is in a mode that supplies only enough power to run the MCU at a reduced frequency, all SRAMs are operating (content retained and I/O states held).
7. Low Leakage Stop (LLS) — ARM core enters DeepSleep mode, NVIC is disabled, LLWU is used to wake up, peripheral clocks are stopped, all SRAM is operating (content retained and I/O states held), most peripherals are in state retention mode (cannot operate).
8. Very Low Leakage Stop3 (VLLS3) — ARM core enters SleepDeep mode, NVIC is disabled, LLWU is used to wake up, peripheral clocks are stopped, all SRAMs are operating (content retained and I/O states held), and most modules are disabled.

9. Very Low Leakage Stop 1 (VLLS1) — ARM core enters SleepDeep mode, NVIC is disabled, LLWU is used to wake up, peripheral clocks are stopped, all SRAMs are powered down, and I/O states held. Most modules are disabled.
10. Very Low Leakage Stop 0 (VLLS0) — Lowest Power Mode ARM core enters SleepDeep mode, NVIC is disabled, LLWU is used to wake up, peripheral clocks are stopped, All SRAMs are powered down, and I/O states held. Most modules are disabled, LPO shut down, optional POR brown-out detection.

The modules available in each of the power modes are described in a table. Please see [Module operation in low-power modes](#) for the details of the module operations in each of the low-power modes.

The Kinetis L series introduces new clocking options. Please see [Additional clock options](#) for the details of these new clocking options.

- Compute mode — ARM core remains enabled with full access to the SRAM, flash and IOPORT, but places all other bus masters and peripherals into their stop mode. Compute mode can be entered from RUN or VLPR.
- Partial Stop (PSTOP1) — ARM core enters DeepSleep mode, NVIC is disabled, WIC is used to wake up from interrupt. When configured for PSTOP1, both the system clock and bus clock are gated. All bus masters and bus slaves enter Stop mode, but the clock generators in the MCG and the on-chip regulator in the PMC remain in Run (or VLP Run) mode.
- Partial Stop (PSTOP2) — ARM core enters DeepSleep mode, NVIC is disabled, WIC is used to wake up from interrupt. When configured for PSTOP2, only the core and system clocks are gated and the bus clock remains active.

5.3.1.2 Entering and exiting power modes

SMC controls entry into and exit from each of the power modes. The WFI instruction invokes wait and stop modes for the chip. The processor exits the low-power mode via an interrupt. For LLS and VLLS modes, the wake-up sources are limited to LLWU generated wake-ups, NMI pin, or RESET pin assertions. When the NMI pin or RESET pin have been disabled through associated FOPT settings, then these pins are ignored as wake-up sources. The wake-up flow from VLLSx is always through reset.

NOTE

The WFE instruction can have the side effect of entering a low-power mode, but that is not its intended usage. See ARM documentation for more on the WFE instruction.

On VLLS recoveries, the I/O pins continue to be held in a static state after code execution begins, allowing software to reconfigure the system before unlocking the I/O. RAM is retained in VLLS3 only.

5.3.2 Configuration examples

How you decide which modes to use in your solution is an exercise in matching the requirements of your system, and selecting which modules are needed during each mode of the operation for your application. The best way to explain would be to work through an example.

For example, consider the case of a battery-operated human interface device that requires a real-time clock timebase. It will wake up every second, update the time of day, and check the conditions of several sensors. Then it will take action based upon the state and, when requested, perform high levels of computation to control the operation of a device. After reviewing the power modes table in [Module operation in low-power modes](#), you should be able to identify which of the modules are functioning in each of the low-power modes.

At this point, notice that the RTC, the LPTMR, and optionally, the brown-out detection, are the only modules that are fully functional in all of the lowest power modules. Notice also the modules that allow wake-up in the low-power modes such as the GPIO, LLWU, TSI, or the comparator.

In this example system, the MCU would spend most of the time in one of the lower power modes waking up every second to update the time of day variables and update the display, plus other house-keeping tasks.

The MCU could also wake up from a user input. This could be hitting a button, a touch of a capacitive sensor, the rise or fall of an analog signal from a sensor feeding the comparator. To enable these sources please refer to the LLWU section 3 in the device-specific reference manual for configuration details.

The example drivers code for SMC are available from the Freescale Web site www.freescale.com.

Please refer to [AN4503](#) for power management ideas and explanations as well as mode entry and exit drivers.

5.3.2.1 SMC code example and explanation

There are four registers in the system mode controller:

- **PMMPROT**: Power Management Protection
- **PMCTRL**: controls entry into low-power run and stop modes
- **STOPCTRL**: provides various control bits allowing the user to fine tune power consumption during the stop mode
- **PMSTAT**: a read-only register that indicates the current power mode of the system

PMMPROT is a write once register after a reset. This means that when written, all subsequent writes are ignored. In our example system above, our two basic modes of operation are Run mode and LLS mode. If we do not want the MCU to be in any other low-power mode, we would want to write the ALLS bit in the **PMMPROT** register.

```
SMC_PMPROT = SMC_PMPROT_ALLS_MASK;
```

This write allows the MCU to enter WAIT, Normal STOP or LLS only. It is then no longer possible to enter any other low-power mode.

After the **PMMPROT** register has been written, the write to **PMCTRL** and **STOPCTRL** determines the mode that will be entered. For our example, entry into LLS mode would be enabled with this write sequence.

```
SMC_PMCTRL &= ~SMC_PMCTRL_STOPM_MASK;
SMC_PMCTRL |= SMC_PMCTRL_STOPM(0x3);
```

5.3.2.2 Entering Low Leakage Stop (LLS) mode

After the previous two setup steps have been done, the low-power stop mode would be entered with a write to the **SCR** register in the core control logic to set the **SLEEPDEEP** bit.

```
SCB_SCR |= SCB_SCR_SLEEPDEEP_MASK;
```

When the **WFI** instruction is executed, the mode controller will step through the low-power entry state machine making sure all of the modules are ready to enter the low-power mode. If, for instance, the **UART** is finishing a serial transmission it would hold off the entry into the LLS until the transmission is completed. In C, the syntax to execute the core instruction **WFI** is:

```
asm("WFI");
```

This statement can be placed anywhere in the code and once executed, the MCU will enter the selected low-power mode. It takes approximately 1 microsecond to enter the low-power mode if there are no modules holding off the low-power mode entry (stop mode acknowledge).

5.3.2.2.1 Mode Entry Sequence Serialization

To ensure that the correct mode is entered there are some serialization considerations. This means that the write to PMCTRL takes 6-7 cycles to complete and if the write to PMCTRL is done immediately before the WFI instruction is executed, see the bad code below, then the MCU may try to enter the mode that was defined before the write was made.

```
//BAD CODE//
/* Set the SLEEPDEEP bit to enable deep sleep mode (STOP) */
SCB_SCR |= SCB_SCR_SLEEPDEEP_MASK;
SMC_PMCTRL |= SMC_PMCTRL_STOPM(0x3);
/* if PMCTRL register was previously a 0x00 before the write,
the low power mode entered with the execution of next
instruction WFI may be NORMAL STOP not LLS */
asm("WFI");
```

If you need to change the mode control value of STOPM right before entering the low-power mode, then it is best to do a read back of the PMCTRL register before executing the WFI. This insures the write has completed before the core starts the low-power mode entry. See the updated serialized code sequence below. To make sure the read does not get optimized out by the compiler define as volatile.

```
// BETTER CODE //
volatile unsigned int dummyread;

/* Set the SLEEPDEEP bit to enable deep sleep mode (STOP) */
SCB_SCR |= SCB_SCR_SLEEPDEEP_MASK;
SMC_PMCTRL |= SMC_PMCTRL_STOPM(0x3);
dummyread = SMC_PMCTRL;
asm("WFI");
```

5.3.2.3 Entering wait mode

If you want to use WAIT mode, then the SLEEPDEEP bit needs to be cleared before executing the WFI instruction.

```
SCB_SCR &= ~SCB_SCR_SLEEPDEEP_MASK;
```

5.3.2.4 Exiting low-power modes

Each of the power modes has a specific list of exit methods. Mode exit from low power modes WAIT, VLPW, STOP, and VLPS are initiated by an interrupt. Mode exit from LLS and VLLSx are from LLWU enabled wake-up source. These exit methods are discussed later.

Recovery from VLLSx is through the wake-up reset event. The MCU will wake from VLLSx by means of reset, an enabled pin, or an enabled module. See [Table 5-3](#) in the LLWU configuration section for a list of the sources. The wake-up flow from VLLS0,

VLLS1, and VLLS3 is through reset. The wake-up bit in the SRS registers is set, indicating that the MCU is recovering from a low power mode. Code execution begins but the I/O are held in the pre-low-power mode entry state and the oscillator is disabled even if EREFSTEN had been set before entering VLLSx. The user is required to clear this hold by writing to PMC_REGSC[ACKISO].

Prior to releasing the hold the user must reinitialize the I/O to the pre-low-power mode entry state, so that unwanted transitions on the I/O do not occur when the hold is released.

5.4 Using the low leakage wakeup unit

5.4.1 Overview

This section will demonstrate how to use the Low Leakage Wake-up Unit (LLWU). The LLWU is responsible for selecting and enabling the sources of exit from LLS, VLLS3, VLLS1, and VLLS0 low-power modes of the MCU. This module works in conjunction with the PMC and the MCU to wake-up the MCU.

5.4.1.1 Mode transitions

There are particular requirements for exiting from each of the power modes. Please see [Mode transition requirements](#) for a table of the transition requirements for each of the modes of operation.

5.4.1.2 Wake-up sources

There are a possible 8 pin sources and up to 8 modules available as sources of wake-up. Please see [Source of wake-up, pins, and modules](#) for a table of external pin wake-up and module wake-up sources.

5.4.2 LLWU configuration examples

There are 8-bit wake-up source enable registers for the pin and module source selection. There are 8-bit wake-up flag registers to indicate which wake-up source was triggered, 8-bit flag register and 8-bit filter control register to control the digital filter enable for up to two external pins.

5.4.2.1 Enabling pins and modules in the LLWU

With Kinetis L series devices the LLWU wakeup pins are identified and numbered to be compatible with the K series MCUs. LLWU pins range from LLWU_P5 to LLWU_P15 but are not contiguous.

5.4.2.2 Module wake-up

To configure a module to wake-up the MCU from one of the low-power modes requires a study in the control and function of each of the modules capable of waking the MCU. Because the RTC can be on in all low-power mode, we can configure the RTC to wake up the system when its interrupt flag is set. To do this we need to enable the RTC module to cause an interrupt and then allow that interrupt to cause a wake-up. To enable the RTC to cause a wake-up the corresponding module wake-up bit must be set.

```
LLWU_ME = LLWU_ME_WUME5_MASK;
        // enable the RTC Alarm to wake up from low power modes
```

Other modules have to be enabled in the same way.

5.4.2.3 Pin wake-up

To configure a pin to wake-up the MCU from the low-power modes requires a study of the port configuration register controls and the GPIO functionality.

The PCR registers select the multiplex selection, the pull enable function, and the interrupt edge selection. If we want to initialize the first wake-up pin, PTE1, as an LLWU wake-up enabled pin we need to:

1. Initialize the PCR for PTD6.
2. Make sure the pin is an input.
3. Enable PTD6 as a valid wake-up source in the LLWU.

The code below configures a pin as a GPIO input pin. On L series only port A and Port D have interrupt functionality. The mux could be easily set as the UART0_RX pin, the SPI1_MOSI or SPI1_MISO pin. It can be a LLWU wake-up as long as it is selected as a digital input pin.

```
/* Enable Port D6 to be a digital pin. */
SIM_SCGC5 = SIM_SCGC5_PORTD_MASK;
PORTD_PCR6 = (PORT_PCR_ISF_MASK |      // clear Flag if there
              PORT_PCR_MUX(01) |      // GPIO
              PORT_PCR_IRQC(0x0A) |   // falling= A Rising = 9
              PORT_PCR_PE_MASK |      // Pull enable
```

```

        PORT_PCR_PS_MASK);        // pull up/down enable
GPIO_PDDR &= 0xFFFFFBBF;        // set Port D6 as input

/* Set the LLWU pin enable bits to enable the PORTD6 input
 * to be a wakeup source.
 * WUPE15 in the LLWU_PE4 register is used in this case
 * since it is associated with PTD6. */

LLWU_PE4 = LLWU_PE4_WUPE15(2); //falling edge detection

```

This needs to be done for each of the pins you want to enable as an interrupt and low leakage mode wake-up source.

5.4.2.4 LLWU port and module interrupts

In low-power modes the ARM core is off, the NVIC is off some of the time, and the WIC is kept alive allowing an interrupt from the pin or module to propagate to the mode controller to indicate a wake-up request. To enable the LLWU interrupt we would initialize the LLWU vector in the interrupt vector table with the appropriate LLWU interrupt handler with the following sequence:

```

/* example code - in the isr.h file */
#undef VECTOR_023
#define VECTOR_023 llwu_isr
#undef VECTOR_036
#define VECTOR_036 rtc_isr
#undef VECTOR_047
#define VECTOR_047 portd_isr

```

For example, to allow the processing of the pin PTE1, add the following initialization code:

```

/* example code in the interrupt vectors initialization code */

enable_irq(LLWU_irq_no) ;    // ready for this interrupt.
enable_irq(RTCA_irq_no) ;    // ready for this interrupt.
enable_irq(PortD_irq_no) ;   // ready for this interrupt.

```

Then, there is a need for interrupt service routines for the three enabled interrupt sources, the LLWU interrupt, the port D interrupt and the RTC module interrupt.

5.4.2.5 Wake-up sequence

The wake-up sequence is not obvious for some of the modes. For most of the wait and stop modes code execution follows a predictable flow. For LLS mode which requires the LLWU, the LLWU vector is fetched and taken directly after the wake-up event. If the pin wake-up source's interrupt flag is not cleared by the LLWU interrupt handler, then the next interrupt vector for the wake-up source is taken and the flag in the port interrupt flag can be cleared. Code execution then continues with the instruction following the WFI instruction that sent the MCU into the low-power mode.

For VLLS0, VLLS1, or VLLS3, the exit is always through the reset vector and then through the interrupt vector of the LLWU immediately after the LLWU interrupt is enabled in the NVIC with the "enable_irq(LLWU_irq_no);" function call. There is a WAKEUP bit in the RCM_SRS0 register that allows the user to tell if the reset was due to an LLWU wake-up event.

An example of wake-up test code is shown below:

```
if (RCM_SRS0 & RCM_SRS0_WAKEUP_MASK) {
    printf("\nWakeup bit set from low power mode ");
    if ((SMC_PMCTRL & SMC_PMCTRL_STOPM_MASK) == 3)
        printf("LLS exit ");
    if (((SMC_PMCTRL & SMC_PMCTRL_STOPM_MASK) == 4) &&
        ((SMC_STOPCTRL & SMC_STOPCTRL_VLLSM_MASK) == 0))
        printf("VLLS0 exit ");
    if (((SMC_PMCTRL & SMC_PMCTRL_STOPM_MASK) == 4) &&
        ((SMC_STOPCTRL & SMC_STOPCTRL_VLLSM_MASK) == 1))
        printf("VLLS1 exit ");
    if (((SMC_PMCTRL & SMC_PMCTRL_STOPM_MASK) == 4) &&
        ((SMC_STOPCTRL & SMC_STOPCTRL_VLLSM_MASK) == 2))
        printf("VLLS2 exit ");
    if (((SMC_PMCTRL & SMC_PMCTRL_STOPM_MASK) == 4) &&
        ((SMC_STOPCTRL & SMC_STOPCTRL_VLLSM_MASK) == 3))
        printf("VLLS3 exit ");
}
```

If the LPTMR or the RTC is the wake-up source and the LLWU interrupt is enabled in sequence before the LPTMR or the RTC interrupts you must clear the source of the module interrupt or else the code execution will never leave the LLWU interrupt service routine. An example is given in the code snippet below:

```
if (LLWU_F3 & LLWU_F3_MWUF0_MASK) {
    SIM_SCGC5 |= SIM_SCGC5_LPTMR_MASK;
    LPTMR0_CSR |= LPTMR_CSR_TCF_MASK;
    // write 1 to TCF to clear the LPT timer compare flag
    LPTMR0_CSR = ( LPTMR_CSR_TEN_MASK
                  | LPTMR_CSR_TIE_MASK
                  | LPTMR_CSR_TCF_MASK );
    // write one to clear the flag
    LLWU_F3 |= LLWU_F3_MWUF0_MASK;
}
```

The I/O states and the oscillator setup are held if the wake-up event is from VLLS0, VLLS1, or VLLS3. The user is required to clear this hold by writing to the ACKISO bit in the PMC_REGSC register. Prior to releasing the hold the user must reinitialize the I/O to the pre-low-power mode entry state, so that unwanted transitions on the I/O do not occur when the hold is released.

```
if (PMC_REGSC & PMC_REGSC_ACKISO_MASK)
    PMC_REGSC |= PMC_REGSC_ACKISO_MASK;
```


5.5 Module operation in low-power modes

Table 5-1. Module operation in low-power modes

Modules	VLPR	VLPW	Stop	VLPS	LLS	VLLSx
Core modules						
NVIC	FF	FF	static	static	static	OFF
System modules						
Mode Controller	FF	FF	FF	FF	FF	FF
LLWU	static	static	static	static	FF	FF
Regulator	low power	low power	ON	low power	low power	low power in VLLS3, OFF in VLLS0/1
LVD	disabled	disabled	ON	disabled	disabled	disabled
Brown-out Detection	ON	ON	ON	ON	ON	ON in VLLS1/3, optionally disabled in VLLS0
DMA	FF Async operation in CPO	FF	Async operation	Async operation	static	OFF
Watchdog	FF static in CPO	FF	static FF in PSTOP2	static	static	OFF
Clocks						
1kHz LPO	ON	ON	ON	ON	ON	ON in VLLS1/3, OFF in VLLS0
System oscillator (OSC)	OSCECLK max of 16MHz crystal OR low range/low power (30~40 kHz)	OSCECLK max of 16MHz crystal OR low range/low power (30~40 kHz)	OSCECLK optional	OSCECLK max of 16MHz crystal OR low range/low power (30~40 kHz)	limited to OR low range/low power	limited to OR low range/low power in VLLS1/3, OFF in VLLS0
MCG	4 MHz IRC	4 MHz IRC	static - MCGIRCLK optional; PLL optional	static - MCGIRCLK OR 4MHz IRC optional	static - no clock output	OFF
Core clock	4 MHz max	OFF	OFF	OFF	OFF	OFF
Platform clock	4 MHz max	4 MHz max	OFF	OFF	OFF	OFF
System clock	4 MHz max OFF in CPO	4 MHz max	OFF	OFF	OFF	OFF
Bus clock	1 MHz max OFF in CPO	1 MHz max	OFF 24 MHz max in PSTOP2 from RUN 1 MHz max in PSTOP2 from VLPR	OFF	OFF	OFF

Table continues on the next page...

Table 5-1. Module operation in low-power modes (continued)

Modules	VLPR	VLPW	Stop	VLPS	LLS	VLLSx
Memory and memory interfaces						
Flash	1 MHz max access - no program No register access in CPO	low power	low power	low power	OFF	OFF
SRAM_U and SRAM_L	low power	low power	low power	low power	low power	low power in VLLS3, OFF in VLLS0/1
System Register File	powered	powered	powered	powered	powered	powered
Communication interfaces						
USB FS/LS	static	static	static	static	static	OFF
USB Voltage Regulator	optional	optional	optional	optional	optional	optional
UART0	1 Mbps Async operation in CPO	1 Mbps	Async operation FF in PSTOP2	Async operation	static	OFF
UART1, UART2, UART3(if present)	62.5 kbps static, wake up on edge in CPO	62.5 kbps	static, wake up on edge FF in PSTOP2	static, wake up on edge	static	OFF
SPI0	master mode 500 kbps, slave mode 250 kbps static, slave mode receive in CPO	master mode 500 kbps, slave mode 250 kbps	static, slave mode receive FF in PSTOP2	static, slave mode receive	static	OFF
SPI1	master mode 2 Mbps, slave mode 1 Mbps static, slave mode receive in CPO	master mode 2 Mbps, slave mode 1 Mbps	static, slave mode receive	static, slave mode receive	static	OFF
I ² C0	50 kbps static, address match wakeup in CPO	50 kbps	static, address match wake up FF in PSTOP2	static, address match wake up	static	OFF
I ² C1	50 kbps OR >100 kbps static, address match wake up in CPO	>50 kbps OR >100 kbps	static, address match wake up	static, address match wake up	static	OFF

Table continues on the next page...

Table 5-1. Module operation in low-power modes (continued)

Modules	VLPR	VLPW	Stop	VLPS	LLS	VLLSx
I ² S	FF Async operation in CPO	FF	Async operation FF in PSTOP2	Async operation	static	OFF
Timers						
TPM	FF Async operation in CPO	FF	Async operation FF in PSTOP2	Async operation	static	OFF
PIT	FF static in CPO	FF	static	static	static	OFF
LPTMR	FF	FF	Async operation FF in PSTOP2	Async operation	Async operation	Async operation
RTC	FF Async operation in CPO	FF	Async operation FF in PSTOP2	Async operation	Async operation	Async operation
Analog						
>16 OR 12-bit ADC	FF ADC internal clock only in CPO	FF	ADC internal clock only FF in PSTOP2	ADC internal clock only	static	OFF
CMP	FF HS or LS compare in CPO	FF	HS or LS compare FF in PSTOP2	HS or LS compare	LS compare	LS compare in VLLS1/3, OFF in VLLS0
6-bit DAC	FF static in CPO	FF	static FF in PSTOP2	static	static	static, OFF in VLLS0
12-bit DAC	FF static in CPO	FF	static FF in PSTOP2	static	static	static
Human-machine interfaces						
GPIO	FF IOPORT write only in CPO	FF	static output, wake up input FF in PSTOP2	static output, wake up input	static, pins latched	OFF, pins latched
Segment LCD	FF Async operation in CPO	FF	Async operation FF in PSTOP2	Async operation	Async operation	Async operation
TSI	FF Async operation in CPO	Async operation	Async operation FF in PSTOP2	Async operation	Async operation	Async operation

5.6 Mode transition requirements

The following table defines triggers for the various state transitions:

Table 5-2. Power mode transition triggers

Transition #	From	To	Trigger conditions
1	RUN	WAIT	Sleep-now or sleep-on-exit modes entered with SLEEPDEEP clear, controlled in System Control Register in ARM core.
	WAIT	RUN	Interrupt or Reset
2	RUN	STOP	Sleep-now or sleep-on-exit modes entered with SLEEPDEEP set, which is controlled in System Control Register in ARM core.
	STOP	RUN	Interrupt or Reset
3	RUN	VLPR	The core, system, bus and flash clock frequencies are restricted in this mode. Set PMPROT[AVLP]=1, PMCTRL[RUNM]=10
	VLPR	RUN	Set PMCTRL[RUNM]=00 or Reset.
4	VLPR	VLPW	Sleep-now or sleep-on-exit modes entered with SLEEPDEEP clear, which is controlled in System Control Register in ARM core.
	VLPW	VLPR	Interrupt
5	VLPW	RUN	Reset.
6	VLPR	VLPS	PMCTRL[STOPM]=000 If PMCTRL[STOPM]=000 and STOPCTRL[PSTOPO]=00, then VLPS mode is entered instead of STOP. If PMCTRL[STOPM]=000 and STOPCTRL[PSTOPO]=01 or 10, then only a Partial Stop mode is entered instead of VLPS or 010, Sleep-now or sleep-on-exit modes entered with SLEEPDEEP set, which is controlled in System Control Register in ARM core.
	VLPS	VLPR	Interrupt NOTE: If VLPS was entered directly from RUN, hardware will not allow this transition and will force exit back to RUN
7	RUN	VLPS	PMPROT[AVLP]=1, PMCTRL[STOPM]=010, Sleep-now or sleep-on-exit modes entered with SLEEPDEEP set, which is controlled in System Control Register in ARM core.
	VLPS	RUN	Interrupt and set PMCTRL[RUNM]=00, transitioning to RUN before entering VLPS or Reset.
8	RUN	VLLSx	PMPROT[AVLLS]=1, PMCTRL[STOPM]=100, STOPCTRL[VLLSM]=x (VLLSx), Sleep-now or sleep-on-exit modes entered with SLEEPDEEP set, which is controlled in System Control Register in ARM core.
	VLLSx	RUN	Wake up from enabled LLWU LPTMR input source or RESET pin
9	VLPR	VLLSx	PMPROT[AVLLS]=1, PMCTRL[STOPM]=100, STOPCTRL[VLLSM]=x (VLLSx), Sleep-now or sleep-on-exit modes entered with SLEEPDEEP set, which is controlled in System Control Register in ARM core.

Table continues on the next page...

Table 5-2. Power mode transition triggers (continued)

Transition #	From	To	Trigger conditions
10	RUN	LLS	PMPROT[ALLS]=1, PMCTRL[STOPM]=011, Sleep-now or sleep-on-exit modes entered with SLEEPDEEP set, which is controlled in System Control Register in ARM core.
	LLS	RUN	Wake up from enabled LLWU input source or RESET pin.
11	VLPR	LLS	PMPROT[ALLS]=1, PMCTRL[STOPM]=011, Sleep-now or sleep-on-exit modes entered with SLEEPDEEP set, which is controlled in System Control Register in ARM core.

5.7 Source of wake-up, pins, and modules

Table 5-3. Source of wake-up, pins, and modules

LLWU pin	Module source or pin name
LLWU_P5	PTB0
LLWU_P6	PTC1
LLWU_P7	PTC3
LLWU_P8	PTC4
LLWU_P9	PTC5
LLWU_P10	PTC6
LLWU_P14	PTD4
LLWU_P15	PTD6
LLWU_M0IF	LPTMR0
LLWU_M1IF	CMP0
LLWU_M2IF	Reserved
LLWU_M3IF	Reserved
LLWU_M4IF	TSI0
LLWU_M5IF	RTC Alarm
LLWU_M6IF	Reserved
LLWU_M7IF	RTC Seconds

Chapter 6

IOPORT module (Single Cycle I/O Port)

6.1 Using the single cycle IOPORT module

6.1.1 Overview

This section demonstrates how to use the IOPORT module to control I/O pins.

6.1.1.1 Introduction

This chapter is a brief description of the IOPORT features of the Kinetis L series 32-bit MCU.

The IOPORT module is a block of logic that is tightly coupled to the core.

The registers in the IOPORT block allow the core to access the GPIO registers through parallel addresses.

6.1.2 Mapping the IOPORT to GPIO registers

6.1.2.1 IOPORT module registers

The IOPORT registers are at a different address than the GPIO registers but they point to the same register in the control. Therefore any writes to the IOPORT register will result in a change to the the corresponding GPIO register.

Clocking is controlled to allow the core to do single cycle access to the GPIO register through the IOPORT mapped registers. Normal accesses to the GPIO registers take several cycles because it is internally connected to the peripheral bus.

Access to the IOPORT registers is only allowed by the core and not by any other bus master. For instance, the DMA controller cannot write to the IOPORT registers and must use the GPIO address if I/O port control is desired.

6.2 Sample code using the IOPORT in any run mode

6.2.1 IOPORT code example

There are six sets of registers in the IOPORT module. The L series part has GPIO registers for ports A, B, C, D and E. This is how port A IOPORT and GPIO registers are defined

```
#define FGPIOA_PDOR          FGPIO_PDOR_REG(FPTA_BASE_PTR)
#define FGPIOA_PSOR          FGPIO_PSOR_REG(FPTA_BASE_PTR)
#define FGPIOA_PCOR          FGPIO_PCOR_REG(FPTA_BASE_PTR)
#define FGPIOA_PTOR          FGPIO_PTOR_REG(FPTA_BASE_PTR)
#define FGPIOA_PDIR          FGPIO_PDIR_REG(FPTA_BASE_PTR)
#define FGPIOA_PDDR          FGPIO_PDDR_REG(FPTA_BASE_PTR)

/* PTA */
#define GPIOA_PDOR           GPIO_PDOR_REG(PTA_BASE_PTR)
#define GPIOA_PSOR           GPIO_PSOR_REG(PTA_BASE_PTR)
#define GPIOA_PCOR           GPIO_PCOR_REG(PTA_BASE_PTR)
#define GPIOA_PTOR           GPIO_PTOR_REG(PTA_BASE_PTR)
#define GPIOA_PDIR           GPIO_PDIR_REG(PTA_BASE_PTR)
#define GPIOA_PDDR           GPIO_PDDR_REG(PTA_BASE_PTR)
```

In the low power demo code there are examples of how you might control output pins to drive an LED using the GPIO or the IOPORT registers.

```
/* defines used in code

// enable GPIO function on pin to drive LED0
#define LED0_EN (PORTA_PCR16 = PORT_PCR_MUX(1))

/* fast GPIO through IOPORT */
#define F_LED0_TOGGLE (FGPIOA_PTOR = (1<<16))
#define F_LED0_OFF (FGPIOA_PSOR = (1<<16))
#define F_LED0_ON (FGPIOA_PCOR = (1<<16))

/* GPIO control through GPIO registers */
#define LED0_TOGGLE (GPIOA_PTOR = (1<<16))
#define LED0_OFF (GPIOA_PSOR = (1<<16))
#define LED0_ON (GPIOA_PCOR = (1<<16))
```

The initialization of the GPIO pin to drive out then becomes:

```
//Code to initialize the IO pin to drive out
SIM_SCGC5 |= SIM_SCGC5_PORTA_MASK ; /* PORT clock enablement */ LED0_EN; //
(PORTA_PCR16 = PORT_PCR_MUX(1))
GPIOA_PDDR |= (1<<16);
LED0_ON;
```


The IOPORT module can be accessed while executing in either RUN mode or VLPR mode.

```
F_LED0_TOGGLE; //toggle output to pin using IOPORT register.  
// translates to FGPIOA_PTOR = (1<<16);
```


Chapter 7

Direct Memory Access (DMA) Controller

7.1 DMA

7.1.1 Overview

This chapter is a compilation of code examples and quick reference materials that have been created to help you speed up the development of your applications with the DMA module of the Kinetis L series. Consult the device-specific reference manual for specific part information.

This chapter demonstrates how to configure and use the DMA module to move data between different memory and peripheral spaces without CPU intervention.

7.1.1.1 Introduction

The DMA controller provides the ability to move data from one memory location to another memory location. After it is configured and initiated, the DMA controller operates in parallel to the core, performing data transfers that would otherwise have been handled by the CPU. This results in reduced CPU loading and a corresponding increase in system performance. [Figure 7-1](#) illustrates the functionality provided by a DMA controller.

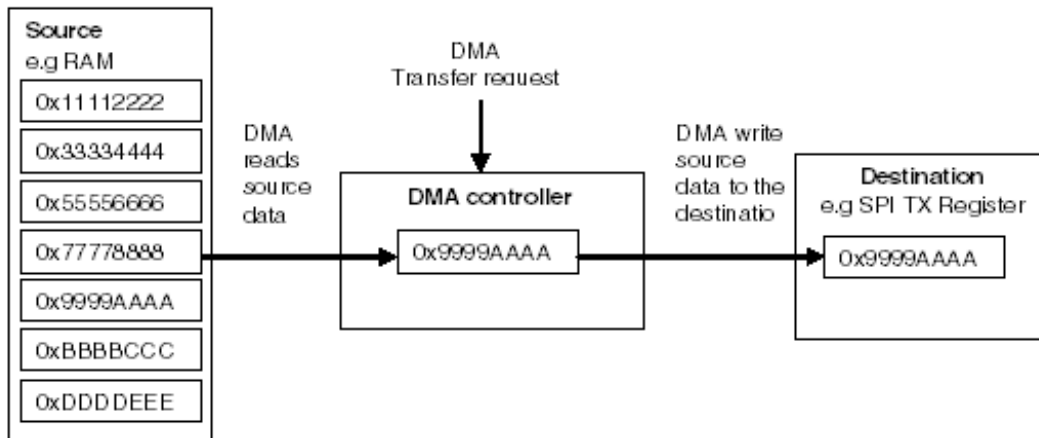


Figure 7-1. DMA operational overview

The DMA controller of the Kinetis L series contains a 32-bit data buffer as temporary storage (see [Figure 7-1](#)). Because Kinetis is a crossbar based architecture, the CPU is the primary bus master connected to the M0 master port. The DMA is connected to the M2 master port of the crossbar switch. Therefore the CPU and DMA can access different slave ports simultaneously. With this multi-master architecture, the system can maximize the use of the DMA feature. [Figure 7-2](#) shows the basic architecture of the Kinetis L series. A specialized device may have differences—refer to the device-specific reference manual for details.

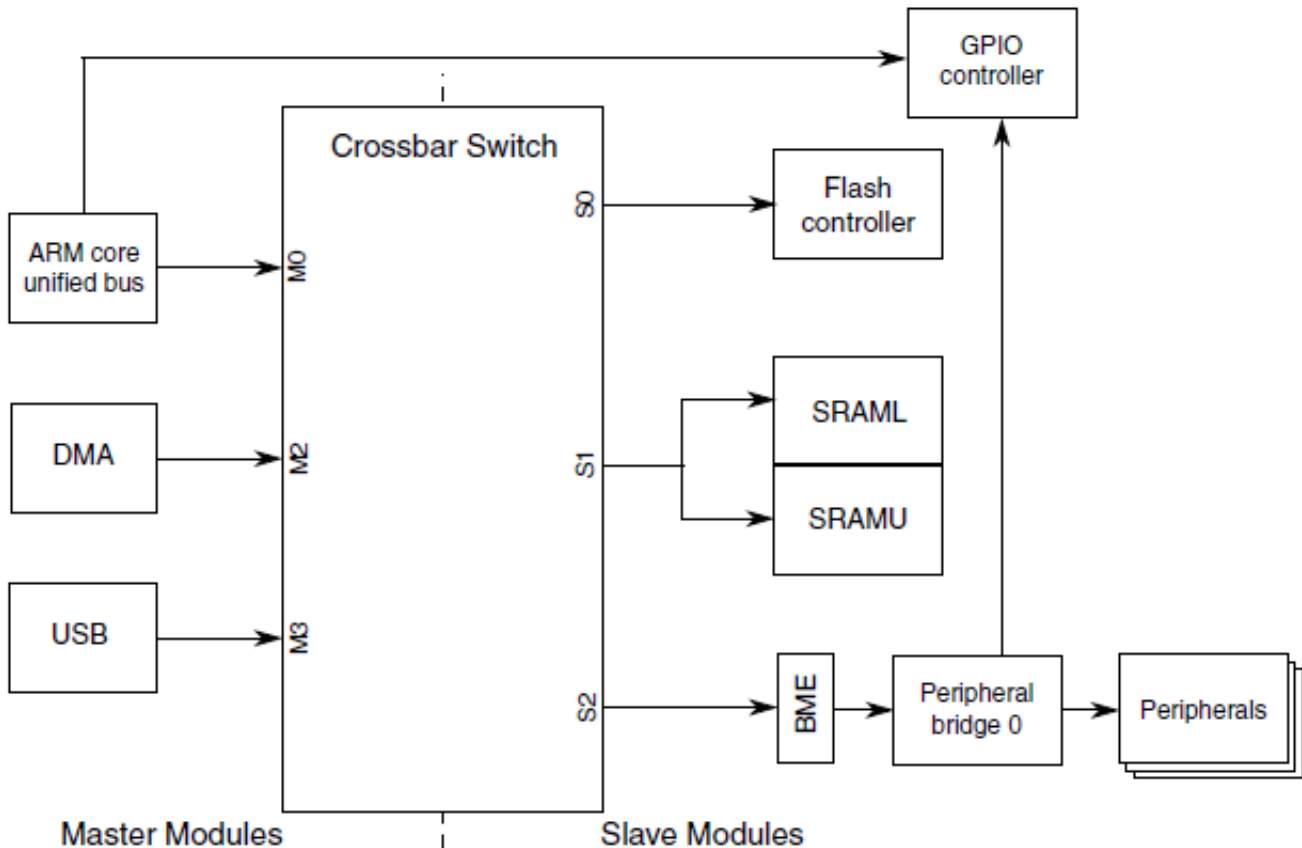


Figure 7-2. Crossbar switch configuration

The crossbar switch forms the heart of this multi-master architecture. It links each master to the required slave device. If both masters attempt joint access to the same slave, an arbitration scheme commences eliminating the bus contention. Both fixed priority and round robin arbitration schemes are available.

7.1.2 DMA trigger

Each channel of the Kinetis DMA controller module can be configured to start DMA transfers from multiple peripheral sources or software. Software transfers are initiated by writing the `START` bit in the appropriate `DMA_DCRn` register. Peripheral requests are initiated by the desired event of the desired peripheral. For proper peripheral request configuration, the desired peripheral must first be configured for DMA operation. Then the peripheral source must be selected through the DMA MUX. DMA MUX configuration is discussed in the DMA MUX section.

7.1.2.1 Trigger mode

The DMA MUX supports three different options for triggering DMA transfer requests.

- Disabled mode—No request signal is routed to the channel and the channel is disabled. This is the reset state of a channel in DMA MUX. Disabled mode can also be used to suspend a DMA channel while it is reconfigured or not required.
- Normal mode—A DMA request is routed directly to the specified DMA channel.
- Periodic Trigger mode—This mode is available only on DMA channel 0~1. In this mode, a PIT request works as a strobe for the channel’s DMA request source, which means the DMA source may only request a DMA transfer periodically. The transfer may be started only when both the DMA request source and the period trigger are active. This provides a means to gate or throttle transfer requests using the PIT. This is normally used for periodically polling the peripheral source status to control the transfer schedule or for periodical transferring.

Figure 7-3 shows the relationship between the PIT periodic trigger, peripheral transfer source request, and the transfer activation.

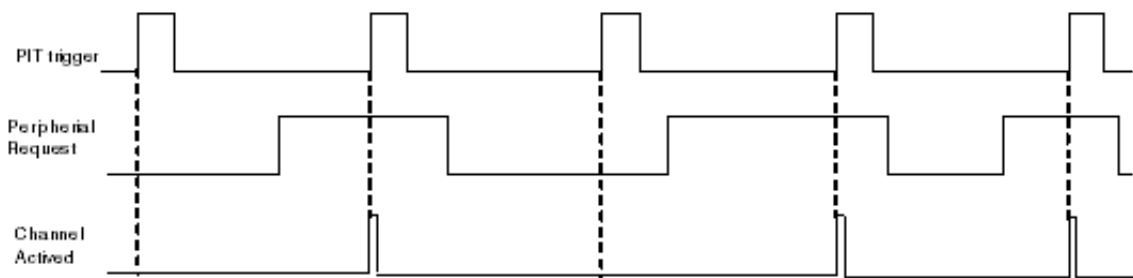


Figure 7-3. PIT gated transfer activation

The hardware provides ten “always enabled request” sources that can be used in Periodic Trigger mode. These permit transfers to be initiated based only on the PIT. These transfers are shown in Figure 7-4.

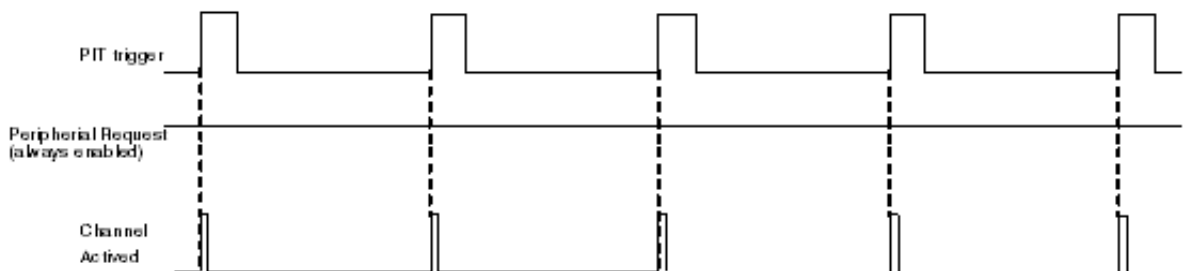


Figure 7-4. PIT-only transfer activation

7.1.3 DMA multiplexer

The DMA channel multiplexer routes the DMA trigger source to the desired DMA channel and controls the trigger mode of the DMA channel. 63 peripheral slots and 6 always-on slots can be routed to any of the 4 channels. These sources can be selected through the DMAMUX_CHCFGn[SOURCE] registers. Different devices may have different peripheral source configurations, so be sure to refer to the device-specific reference manual for details. The logic structure of the DMA MUX is illustrated in Figure 7-5.

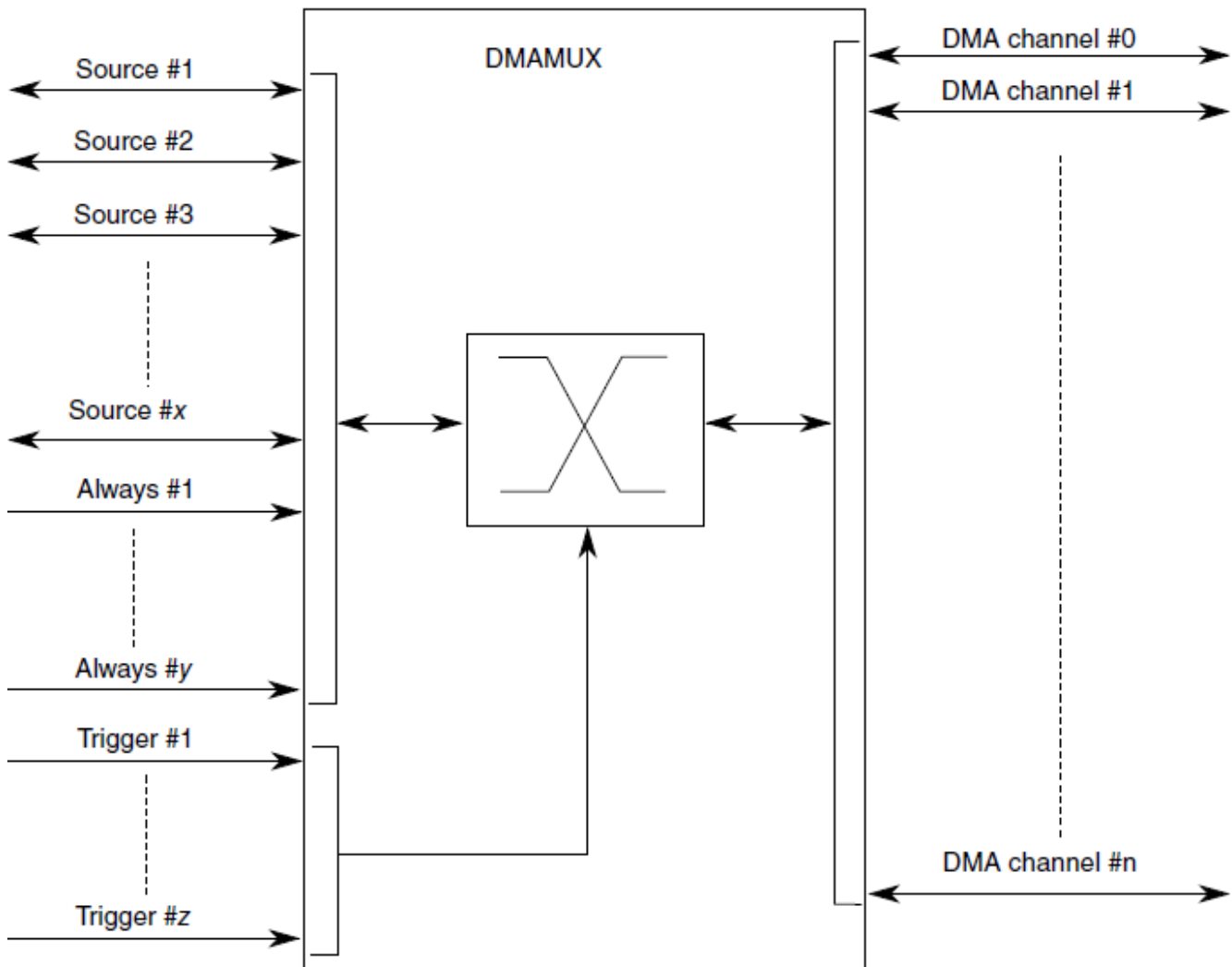


Figure 7-5. DMA MUX block diagram

7.1.4 Transfer process

Each DMA channel is capable of moving data from one location in the memory map to a different location in the memory map in sizes of 8-bit, 16-bit, or 32-bit transfers. The specifics of these movements are controlled by the source address, destination address, status/byte count, and control registers that collectively form the transfer control descriptor.

As soon as a channel has been initialized, it may be started by setting the DCRn[START] bit or a properly selected peripheral DMA request, depending on the status of DCRn[ERQ].

Any DMA operation involves three steps: channel initialization, data transfer, and channel termination.

- Channel initialization - The transfer control descriptor is loaded with address pointers, a byte-transfer count, and control information.
- Data transfer - Upon receipt of a request (either software or hardware), the DMA provides address and bus control for the transfers via its master connection to the system bus and temporary storage for the read data. The channel performs one or more source read and destination write data transfers.
- Channel termination - After an operation is finished or a fatal error has occurred, the channel indicates the operation status in the channel's DSR (as described in the definitions of the DMA status registers (DSRn) and byte count registers (BCRn)).

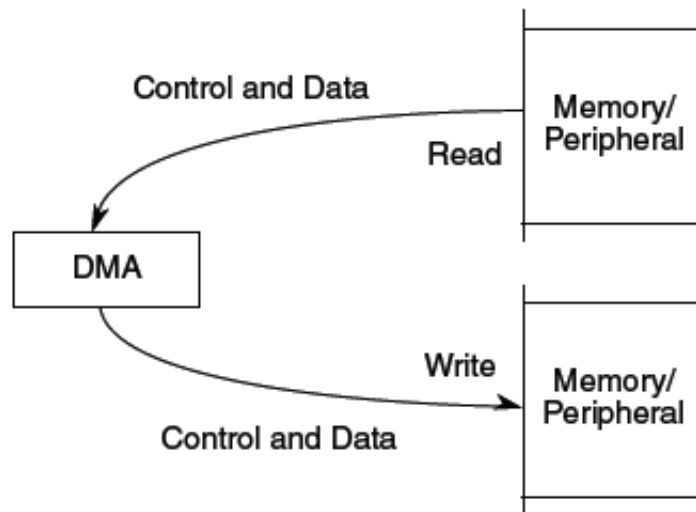


Figure 7-6. DMA transfer process

7.1.4.1 Multiple transfer requests

Only one channel can actively perform a transfer. To manage multiple pending transfer requests, the DMA controller channels are prioritized in order from the lowest channel number (highest priority) to the highest channel number (lowest priority). When multiple requests are pending, the channel with the highest priority level performs its transfer first. Once a DMA transfer has started on a given channel, that channel will continue to completion as defined by DCRn[CS] and BCRn.

7.1.4.2 Asynchronous transfers

The Kinetis L series DMA has introduced the unique capability to perform asynchronous transfers. These are transfers that can be initiated without the DMA module clock running. This allows the user the flexibility to perform DMA transfers while in low-power modes, such as STOP or VLPS modes. Once a transfer is requested in one of these modes, select clocks will be activated, while the core is still gated off. Thereby allowing the DMA to operate while the core and other peripherals/clocks are still off. This provides significant power savings while still providing useful functions. To enable asynchronous DMA transfers, simply set the EADREQ bit in the DMA_DCRn register.

7.1.5 Configuration steps

To configure the DMA, the following initialization steps must be followed:

1. Enable the clock gating for the DMA controller and the DMA MUX in the system integration module (SIM).
2. If necessary, disable the DMA channel by writing 0x00 to the appropriate DMAMUX_CHCFGn register.
3. Clear pending errors or acknowledge successful transfers by writing the DONE bit in the status/byte count register. (NOTE: You may need to write this bit twice as some do not make themselves known until the done bit is written.)
4. Write the source address, destination address, status/byte count, and DMA control registers with the desired values for the upcoming transfer.
5. Configure the DMA MUX to route the activation signal to the appropriate channel.

7.1.6 Example—UART-gated DMA requests

In this example, the DMA is used to store the ASCII characters received from the UART to a predefined location in the SRAM. By enabling the DMA to do this, the core can perform time critical calculations, service other time critical subroutines, or remain in a

low-power state (if an asynchronous UART source has been selected) while a user sends serial data. After the result is transferred by the DMA to internal SRAM, the application can make further analysis on the data.

7.1.6.1 Requirements

Each ASCII character received by the UART (UART0) must be acquired and moved to a predetermined location in the SRAM. To achieve this, the UART must trigger a DMA request when the receive buffer becomes full. Once the receive buffer full flag is set, the DMA will transfer from the UART D register and then the receive buffer full flag will be cleared, allowing the UART to receive another character and request another DMA transfer. This example requires the DMA to transfer from the same source location to a different destination location for every transfer. [Figure 7-7](#) illustrates the functionality of this example.

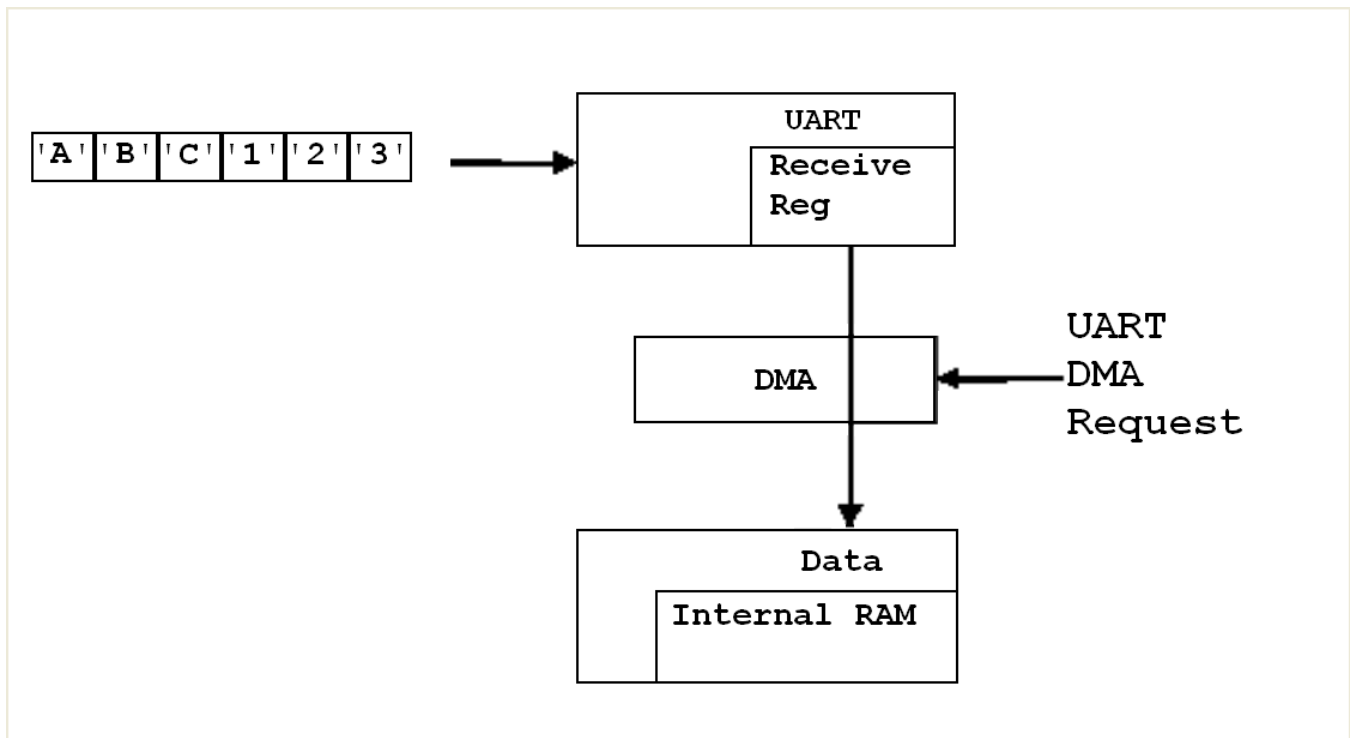


Figure 7-7. Example 2 overview

7.1.6.2 Module configuration

To implement this example only one DMA channel is required, but the transfer must be triggered by the UART and it must be performed in a low-power mode. The DMA MUX must be configured for UART RX channel activation. Channel 0 is used to perform this transfer.

Channel 0 is configured as follows: external requests enabled, Cycle-Steal mode enabled, asynchronous DMA requests enabled, external requests are disabled on transfer completion, destination address is incremented after each transfer, and source/destination size is byte size. Each transfer is activated when the UART receive buffer full flag is asserted. The Cycle-Steal mode ensures that the DMA will transfer only one byte every time the UART receive buffer full flag is set. The asynchronous DMA requests enable will allow the DMA to accept requests in low-power modes. With the DMA configured as described, the DMA MUX configuration for this channel becomes trivial as the DMA MUX can operate in normal mode. Before configuring the DMA MUX, the DMA channel should be configured (with the appropriate DMA MUX disabled) as follows:

```
// Disable DMA MUX channel first
DMAMUX0_CHCFG0 = 0x00;

// Clear pending errors and/or the done bit
if (((DMA_DSR_BCR0 & DMA_DSR_BCR_DONE_MASK) == DMA_DSR_BCR_DONE_MASK)
    | ((DMA_DSR_BCR0 & DMA_DSR_BCR_BES_MASK) == DMA_DSR_BCR_BES_MASK)
    | ((DMA_DSR_BCR0 & DMA_DSR_BCR_BED_MASK) == DMA_DSR_BCR_BED_MASK)
    | ((DMA_DSR_BCR0 & DMA_DSR_BCR_CE_MASK) == DMA_DSR_BCR_CE_MASK))
    DMA_DSR_BCR0 |= DMA_DSR_BCR_DONE_MASK;

// Set Source Address (this is the UART0_D register)
DMA_SAR0 = SOURCE_ADDRESS;

// Set BCR to know how many bytes to transfer
DMA_DSR_BCR0 = DMA_DSR_BCR_BCR(32);

// Clear Source size and Destination size fields.
DMA_DCR0 &= ~(DMA_DCR_SSIZE_MASK
              | DMA_DCR_DSIZE_MASK
              );

// Set DMA as follows:
// Source size is byte size
// Destination size is byte size
// D_REQ cleared automatically by hardware
// Destination address will be incremented after each transfer
// Cycle Steal mode
// External Requests are enabled
// Asynchronous DMA requests are enabled.
DMA_DCR0 |= (DMA_DCR_SSIZE(1)
            | DMA_DCR_DSIZE(1)
            | DMA_DCR_D_REQ_MASK
            | DMA_DCR_DINC_MASK
            | DMA_DCR_CS_MASK
            | DMA_DCR_ERQ_MASK
            | DMA_DCR_EADREQ_MASK
            | DMA_DCR_EINT_MASK
            );

// Set destination address
DMA_DAR0 = DESTINATION_ADDRESS;
```

Once the DMA channel is appropriately configured, the DMA MUX can be configured and enabled. An example of the DMA MUX configuration and enablement is shown below:

```
// Enables the DMA channel and select the DMA Channel Source
DMAMUX0_CHCFG0 = 0x02; // Select UART0 as the Channel Source
DMAMUX0_CHCFG0 |= DMAMUX_CHCFG_ENBL_MASK; // Enable the DMA MUX channel
```

Using the above configurations, the required DMA functionality for this example has been achieved. Refer to the full source code for the `low_power_dma_uart_demo` in the KL25 sample code package (KL25_SC) available for download at www.freescale.com/files/32bit/software/KL25_SC.exe.

Chapter 8

Universal asynchronous receiver/transmitter (UART)

8.1 Overview

This chapter will demonstrate the basic features of UART modules of Kinetis L series devices. It also presents examples on how to properly configure modules in order to achieve the desired operational mode. Two simple configuration examples are presented. One of the examples presents the basic functionality of UART. It demonstrates loop back data communication in polling or interrupt-driven mode of operation. Another one demonstrates functionality of UART module working in very low-power mode. It utilizes address match operation to wake up from low-power Stop mode.

8.2 Introduction

The UART modules of the Kinetis L series are a bit simplified as compared to the K series modules. They do not include some K series UART features but still can accomplish great functionality for serial communication. The main advantage of the L series UART modules is an extended operation supporting operation in low-power modes. This feature is not available on all UART modules.

8.3 Features

The UART modules on Kinetis L series support full duplex, asynchronous communication with non-return-to-zero format. The transmitter and receiver operate separately but share the same baud rate generator. The UART receivers are double-buffered so as to prevent the receiver from being overrun by the next received character after the Receive Data Register Flag, UARTx_S1[RDRF] is set. Some of the useful features of the L series UART modules are described in the following subsections.

8.3.1 UART clock

The UART source clock is used as a base for transmitter and receiver. The input source clock for UART depends on the module instance. The modules where baud rate can operate asynchronous to bus clock (UART0) can use four different input clock sources (selected in SIM_SOPT2[UARTxSRC]):

- MCGFLLCLK
- MCGPLLCLK/2
- OSCERCLK,
- MCGIRCLK (suitable for low-power modes).

This option allows this module to operate in low-power mode. All other UART modules can be driven only by the bus clock (BUSCLK).

8.3.2 UART baud rate generation

The baud rate generator uses a 13-bit prescale divisor ($SBR[12:0] = 1-8191$) which is divided into the UARTx[BDH] and UARTx[BDL] registers. The higher 5 bits of the divisor are included in the BDH register and the lower 8 bits are in the BDL register. These registers must be written only when the module is disabled, that is, UARTx_C2 [RE] and UARTx_C2 [TE] are 0. The receiver is driven by the UART module clock divided by the SBR value. However, the transmitter is driven by the UART module clock divided by SBR divided by the sampling ratio. In the case of UART1 or UART2, the sampling ratio is 16. UART0 employs a variable sampling ratio such that the receiver has an acquisition rate of 4–32 samples per bit time. The baud rate for the UARTs can be calculated as:

$$\text{UART0 baud rate} = \frac{\text{Source Clock Frequency}}{SBR * (\text{UART0_C4[OSR]} + 1)}$$

$$\text{All Other UART baud rate} = \frac{\text{Bus Clock Frequency}}{SBR * 16}$$

Example #1 (UART0): A user application calls for UART0 to use the MCGFLLCLK (at 48 MHz) as its clock source and to be configured for a baud rate of 115,200. To select the MCGFLLCLK as the source clock for UART0, SIM_SOPT2[UART0SRC] must be set to 1 and SIM_SOPT2[PLLFLSEL] must be cleared to 0. The oversampling ratio is selected to be 4 (UART0_C4[OSR]= 0x03).

The following formula is used to calculate the baud rate prescaler.

$$SBR = \frac{\text{UART0 source clock frequency}}{\text{baud rate} * (\text{UART0_C4[OSR]} + 1)} = \frac{48000000}{115200 * (3 + 1)} = 104 = 0x68$$

Therefore:

BDH = 0x00

BDL = 0x68

Example #2 (UART1): A user application calls for UART1 to be configured for a baud rate of 2400. The source clock for UART1 is the bus clock (BSCLK). Assuming a core/system clock of 48 MHz and bus clock divider of 2 (SIM_CLKDIV1[OUTDIV4] = 1), the bus clock will have frequency of 24 MHz. Baud rate prescaler can be calculated by the following formula.

$$SBR = \frac{\text{Bus clock frequency}}{\text{baud rate} * 16} = \frac{24000000}{2400 * 16} = 625 = 0x271$$

Therefore:

BDH = 0x02

BDL = 0x71

NOTE

The users must take care to consider source clock accuracy and integer division truncation in the baud rate calculations, as the actual baud rate may sometimes be outside of specification.

8.3.3 Receiver wake-up feature

Receiver wake-up is one feature used in communication networks with multiple devices. It is a hardware mechanism that allows the receiver to ignore the characters intended for other UART receivers. Two different methods of receiver wake up can be selected for the UART modules UART1 and UART2, while UART0 implements an extra receiver wake-up method. These wake-up methods are described below.

- **Idle-line wake up:** The first mode is idle-line wake-up and is selected when UART0_C1[WAKE] = 0. In this mode, UART0_C2[RWU] is cleared automatically when receiver detects idle line character.
- **Address mark wake up:** When UART0_C1[WAKE] is set, the receiver is configured for address-mark wake up. In this case, UART0_C2[RWU] is cleared automatically when a logic one is detected in the most significant bit of the received character.
- **Match address operation:** The third receiver wake-up method does not utilize UARTx_C2[RWU]. This method is available only on UART0 module of Kinetis L series devices. It is enabled by the UART0_C4[MAEN1] and UART0_C4[MAEN2] registers. The match address registers UART0_MA1 and UART0_MA2 must be

written before enabling this method. In this case, all received frames containing an address mark (MSB set to 1) are compared with the match address register, MA1 and MA2 values. When the values match, the frame is transferred to the receiver buffer and the corresponding UARTx_S1[RDRF] flag is set. All subsequent frames with no address mark (MSB is zero) are considered data and are transferred to receiver data buffer. Sending a frame containing a matching address results in the receiver returning to receiver wait mode. In any other cases, the frames are discarded.

8.3.4 Additional features

The UART module includes several additional useful features. The UART can remain functional or be stopped in wait modes. This option is available by setting one of the following:

- UART0_C2[DOZEEN]
- UART1_C2[UARTSWAI], or
- UART2_C2[UARTSWAI]

As was mentioned in [UART clock](#), UART0 has asynchronous transmit and receive clocks and therefore, can remain functional during stop modes. UART0 can generate interrupt to wake up from stop modes.

Parity:

Hardware parity generation and checking is also available on each UART module by setting UARTx_C1[PE]. Even or odd type of parity is chosen by UARTx_C1[PT]. When enabled, the parity bit is serviced immediately before the stop bit. The UART modules also support parity errors. The parity error flag indicates that the parity bit in the received character does not agree with expected parity bit.

Data character length:

Three frame sizes are selectable: 8-bit, 9-bit and 10-bit. When UARTx_C4[M10] is set, 10-bit length is selected. This feature is available only for UART0. When UARTx_C4[M10] is cleared, then UARTx_C1[M] selects between 8 or 9-bit character length. When the length of data character is greater than 8 bits, the lower 8 bits will be sent/received through the D register while the upper bits will be sent/received through the R8/T9 and R9/T8 bits in the UARTx_C3 control register. When transmitting frame lengths greater than 8, the R8/T9 and R9/T8 registers must be written accordingly before writing the UARTx_D register.

Number of stop bits:

Selection of number of stop bits is available by UARTx_BDH[SBNS].

Polarity:

Both the transmitter and receiver support inverted data polarity. This feature is selected by setting UARTx_S3[TXNIV] and/or UARTx_S2[RXINV].

Order of data bits:

UART0 allows the order of the transmission to be reversed sending the most significant bit first and least significant bit last, or vice versa. This feature is controlled via UARTx_S2[MSBF].

Polling operation:

Several flags are available to support polled operation mode. The transmit data register empty TDRE and transmission complete TC flags in UARTx_S1 status register reflect the status of transmitter. When these flags are set, data is ready to be written to the transmit data buffer via the data register (UARTx_D). The Receive Data Register Full Flag, UARTx_S1[RDRF], signals that data is ready to be read from the data register. The receiver is double-buffered, which allows the core to finish higher priority tasks in one full character time after UARTx_S1[RDRF] is set before reading the data register. If this time is not achieved, the receiver overrun flag is set to signal that one or more characters were lost in communication.

Interrupt-driven operation:

Each UART module can generate only a single interrupt as all of the sources are logically OR'd inside the module. All previously mentioned flags, including error flags such as noise error, UARTx_S1[NE]; frame error UARTx_S1[FE]; and parity error, UARTx_S1[PE], can generate an interrupt. The source of interrupt can be identified in the interrupt service routine.

DMA operation:

The UART0 module allows two DMA request sources.

- The first DMA request can be generated by UARTx_S1[TDRE].
- The second DMA request can be generated by UARTx_S1[TDRF].

Generation of both DMA requests separately is available by UARTx_C5[TDMAE] and UARTx_C5[RDMAE].

The UART1 and UART2 modules contain the same DMA requests but are available by UARTx_C4[TDMAS] and UARTx_C4[RDMAS]. Both DMA requests are generated only if they are also enabled as interrupt sources and this feature differs from UART0.

Loop mode:

Loop mode is available via UARTx_C1[LOOPS]. This mode is useful for application testing. Loop mode isolates receiver and transmitter from external device as shown in Figure 8-2. When Loop mode is enabled and UARTx_C1[RSRC] = 0, the transmitter output is internally interconnected with receiver input. The UART module does not use RxD pin, and hence this pin can be used as GPIO.

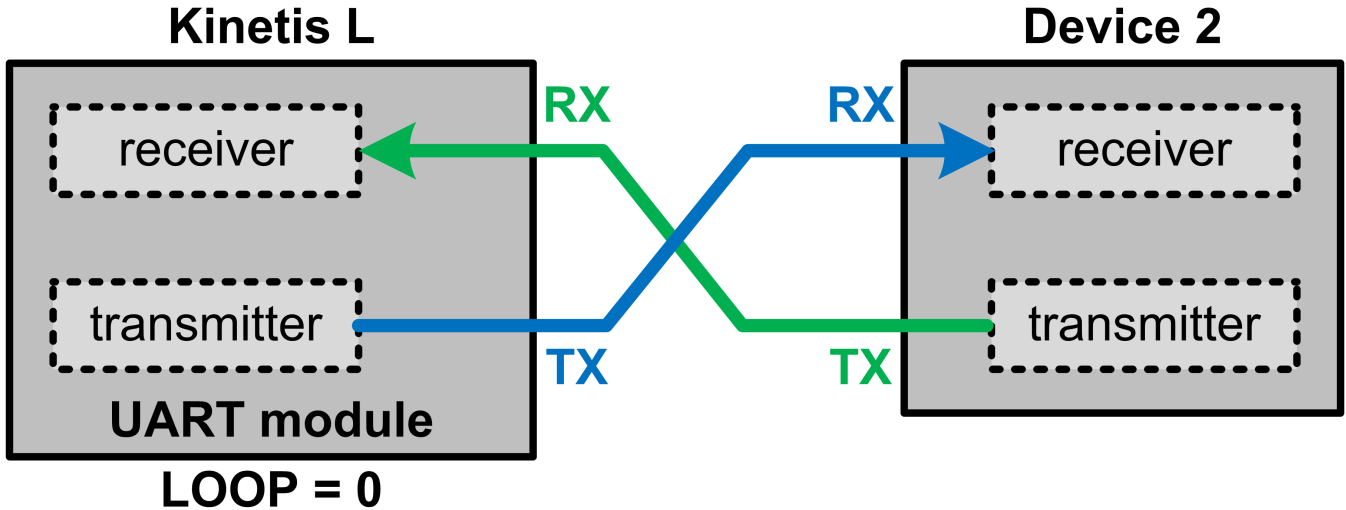


Figure 8-1. Block diagram of loop mode (disabled)

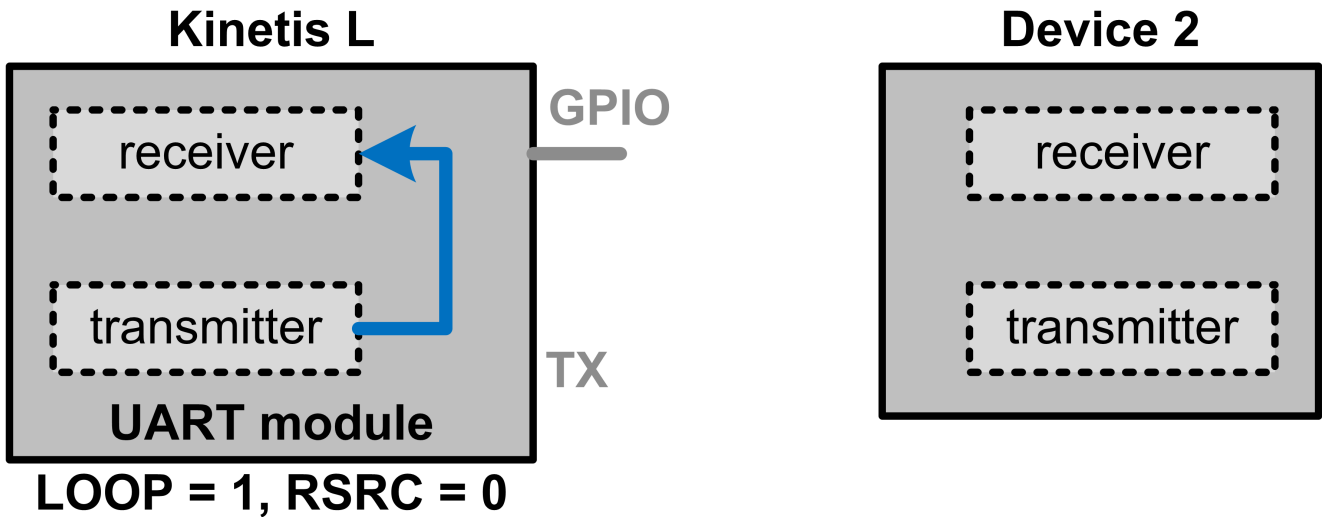


Figure 8-2. Block diagram of loop mode (enabled)

Single-wire mode:

Single-wire mode is selected when `UARTx_C1[RSRC]` and `UARTx_C1[LOOPS]` are set. This mode represents half-duplex serial connection. In this case, only TxD pin is used and shared with receiver or transmitter depends on data direction selection.

- When the direction field, `UARTx_C3[TXDIR] = 0`, then the TxD pin represents input of receiver. Hence, external device can only send data to receiver (Figure 8-3). The transmitter is temporarily disabled in this case.
- When `UARTx_C3[TXDIR]`, is set then the TxD pin represents the output of the transmitter. Hence, data can be sent to an external device (Figure 8-4). The RxD pin can be used as GPIO when Single-wire mode is selected.

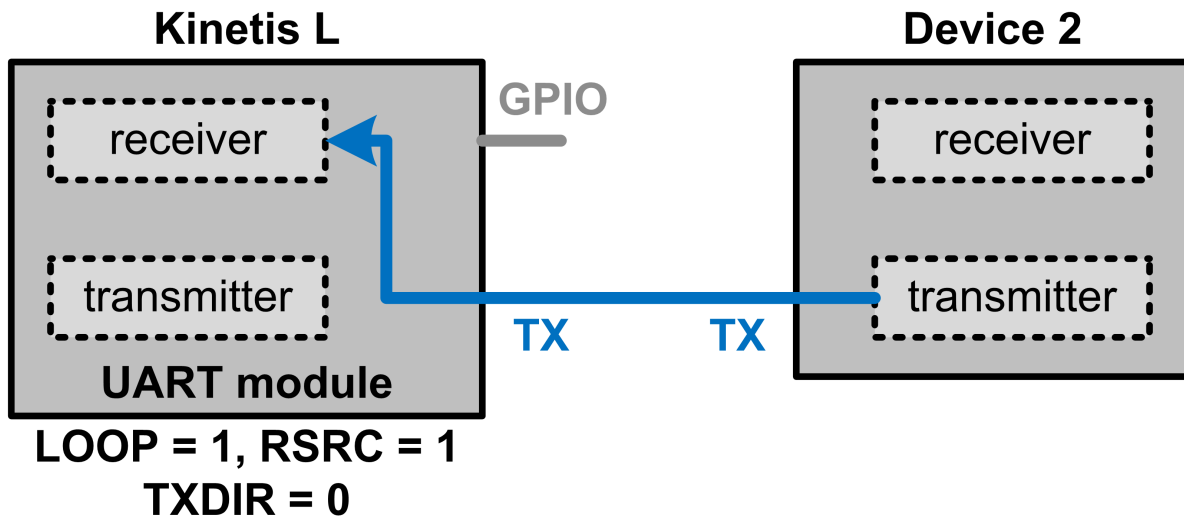


Figure 8-3. Block diagram of single wire mode (TXDIR disabled)

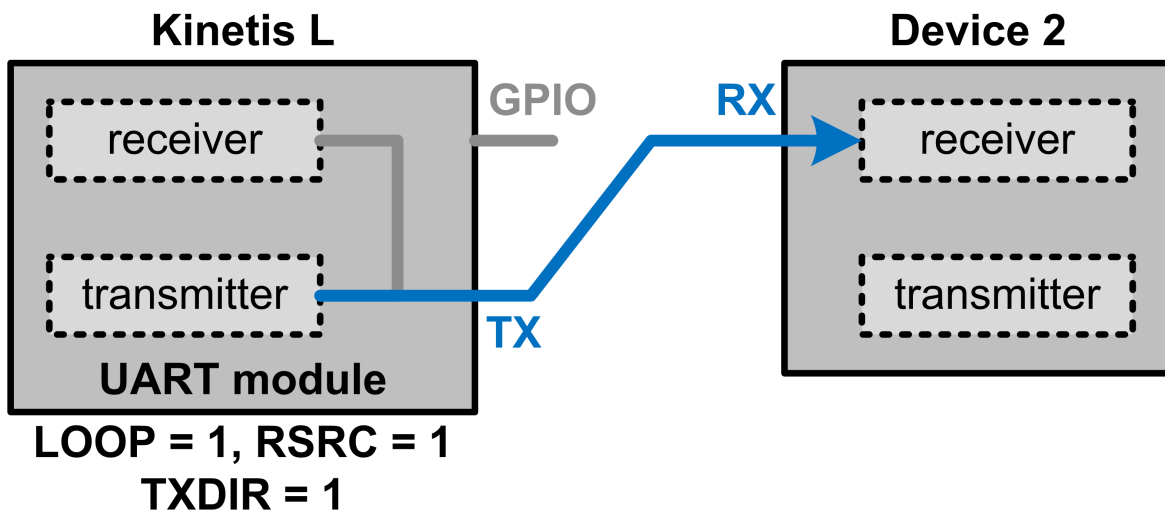


Figure 8-4. Block diagram of single wire mode (TXDIR enabled)

For further details on the UART modules, see the device-specific reference manual.

8.4 Configuration examples

Two basic examples of UART configuration will be demonstrated in this section. The first example shows basic functionality of the UART modules. It simply demonstrates loop back data (echoed) communication in polling/interrupt modes. The second example demonstrates UART0 module functionality in very low-power mode. It utilizes address match operation to wake from low-power mode.

8.4.1 Example 1: Polling/Interrupt mode of UART

The first example demonstrates the lowest level of UART use (see [Figure 8-5](#)). It simply shows how to configure the UART module to be able to receive and send a character. Two basic modes of operation are presented.

- **Polling mode:** In polling mode, neither interrupt is enabled. All required flags are polled in the main loop before a character is received or sent.
- **Interrupt mode:** In interrupt mode, the receive data register full flag generates an interrupt. The character is read in the interrupt service routine and, if the Transmit Data Register is empty, the received character is sent back to the console.

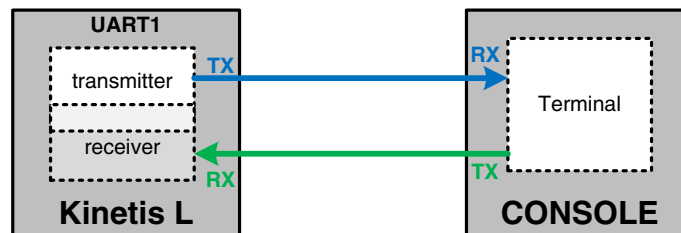


Figure 8-5. Block diagram for example 1

At the beginning of the program, two macros have been defined to allow for different UART modes.

```
#define POLLING_MODE          1
#define INTERRUPT_MODE       2
```

The UART operation mode will then be selected by the following statement:

```
#define UART_MODE             POLLING_MODE //INTERRUPT_MODE
```

Before the UART initialization, the SIM module must be configured for the appropriate clock options. In this example, MCGFLLCLK is used as a source clock for UART0. Therefore, it is necessary to clear SIM_SOPT2[PLLFLLSEL] and set SIM_SOPT2[UART0SRC] to 1. Next, the clocks for the port whose pins will be used as

RX and TX need to be enabled. In this example, pin PTA2 (TX) and PTA1 (RX) are used for communication. Hence, it is required to enable clocks for PORTA and UART0. The next few lines show SIM module configuration.

```
SIM_SOPT2 |= SIM_SOPT2_UART0SRC(1);
SIM_SOPT2 |= SIM_SOPT2_PLLFLLSEL_MASK;
SIM_SCGC4 = SIM_SCGC4_UART0_MASK;
SIM_SCGC5 = SIM_SCGC5_PORTA_MASK;
```

NOTE

Only UART0 can be clocked by MCGFLLCLK (or MCGPLLCLK/2, OSCERCLK, MCGIRCLK). Modules UART1 and UART2 are clocked only by BUSCLK. If any additional clock settings are required in your application, it must also be implemented in SIM module configuration.

After the SIM module initialization, the required port pins must be configured and initialized. It is recommended to clear interrupt status flags and select alternative pins for UART0 functionality.

```
PORTA_PCR2 = PORT_PCR_ISF_MASK | PORT_PCR_MUX(0x2);
PORTA_PCR1 = PORT_PCR_ISF_MASK | PORT_PCR_MUX(0x2);
```

At the beginning of the UART module initialization, the module must be disabled before changing the settings.

```
UART0_C2 &= ~ (UART0_C2_TE_MASK | UART0_C2_RE_MASK);
```

As was mentioned before, it is necessary to configure the Nested Vector Interrupt Controller (NVIC) module for interrupt mode of UART0 operation. This must be compiled only if INTERRUPT_MODE is defined.

```
#if UART_MODE == INTERRUPT_MODE
enable_irq(12); set_irq_priority(12, 3);
#endif
```

The interrupt vector must also be redefined in the interrupt service routine header file, isr.h to point to the appropriate interrupt service routine.

```
extern void uart0_isr(void);

#undef VECTOR_028
#define VECTOR_028 uart0_isr
```

The next part represents UART0 module configuration. The module can be configured for both modes of operation. The baud rate is set at the beginning of the routine. UART0 configuration parameters are as follows:

- MCGFLLCLK = 48 MHz as the source clock for the module
- Oversampling ratio 16
- 115,200 baud

Configuration examples

Assuming the above-mentioned parameters, the 13-bit prescaler divisor can be calculated as:

$$x = \frac{4800000}{115200 * 16} = 26$$

This results in the following baud rate register settings.

```
UART0_BDH = 0x00;  
UART0_BDL = 0x1A;  
UART0_C4 = 0x0F;
```

NOTE

If baud rate is calculated directly in an initialization routine, exercise caution to select the correct configuration parameters. Truncation errors can cause incorrect baud rate register setting.

The 8-bit communication, no parity, one stop bit, LSB first, no inversion configuration is used. It is also suggested to clear all flags before enabling the module to avoid unexpected behavior.

```
UART0_C1 = 0x00;  
UART0_C3 = 0x00;  
UART0_MA1 = 0x00;  
UART0_MA1 = 0x00;  
UART0_S1 |= 0x1F;  
UART0_S2 |= 0xC0;
```

If Interrupt mode operation is being used, the receiver interrupt must also be enabled. This interrupt is associated with UARTx_S1[RDRF].

```
#if UART_MODE == INTERRUPT_MODE  
UART0_C2 = UART0_C2_RIE_MASK;  
#endif
```

At the end of configuration, the receiver and transmitter can be enabled. No additional configuration is required.

```
UART0_C2 |= UART0_C2_TE_MASK | UART0_C2_RE_MASK;
```

After UART0 module initialization, all interrupts are enabled by the change processor state instruction.

```
asm("CPSIE i");
```

Data is received and transmitted according to the selected UART mode of operation.

For Polling mode, the program waits for the required flags in a while loop located in main. If the receiver data register full flag is set, data is read from the Data register, UARTx_D. Then, if UARTx_S1[TDRE] and UARTx_S1[TC] are set, UARTx_D is written with the received character. The received data will then be transmitted back to the terminal.

```

while (1)
{
#if UART_MODE == POLLING_MODE
while (!(UART0_S1&UART_S1_RDRF_MASK));
c = UART0_D;
while (!(UART0_S1&UART_S1_TDRE_MASK) && !(UART0_S1&UART_S1_TC_MASK));
UART0_D = c;
#endif
}

```

When using Interrupt mode, the process of receiving and sending data is carried out in the receive data register full interrupt service routine.

```

#if UART_MODE == INTERRUPT_MODE
void uart0_isr(void)
{
if (UART0_S1&UART_S1_RDRF_MASK)
{
c = UART0_D;
if (!(UART0_S1&UART_S1_TDRE_MASK) && !(UART0_S1&UART_S1_TC_MASK))
{
UART0_D = c;
}
}
}
#endif

```

8.4.2 Example 2: Functionality of UART0 in VLPS mode

The second example demonstrates UART0 module functionality running in Very Low-Power Stop (VLPS) mode. The MCGIRCLK (fast IRC) is used as the source clock for UART0 in this case. After all required peripherals are initialized, the program waits until the character, 'e', is received. This character signals the program to enter VLPS mode. In VLPS mode, UART0 waits for an address mark. This is a logical 1 in the bit position immediately preceding stop bit. This frame is then compared with the values in the match address registers. The frame is transferred to the receive buffer followed by UARTx_S1[RDRF] flag only in a case of compare match. All frames with no address mark and no address match are discarded. After UARTx_S1[RDRF] flag is set, an interrupt is generated and the MCU wakes from VLPS. Then the process is repeated.

Before the UART initialization, the SIM module must be configured for all required clock options. In this example, MCGIRCLK (using the fast IRC) is selected as the source clock for UART0. Therefore, it is necessary to set SIM_SOPT2[UART0SRC] to 0x03. Next, the port pin clock gates must be enabled for the pins that will be used as RX and TX. In this example, pin PTA2 (TX) and PTA1 (RX) are used for communication. Hence, it is required to enable the clock gates for PORTA and UART0 in the SIM. The following code shows SIM module configuration.

```

SIM_SOPT2 = SIM_SOPT2_UART0SRC(3);
SIM_SCGC4 = SIM_SCGC4_UART0_MASK;
SIM_SCGC5 = SIM_SCGC5_PORTA_MASK;

```

NOTE

The fast IRC clock accuracy has to be considered in the final baud rate calculation in order to avoid communication failures.

After the SIM module initialization, the required port pins must be configured and initialized. It is desirable to clear interrupt status flags (ISF).

```
PORTA_PCR2 = PORT_PCR_ISF_MASK | PORT_PCR_MUX(0x3);
PORTA_PCR1 = PORT_PCR_ISF_MASK | PORT_PCR_MUX(0x3);
```

At the beginning of the UART0 module initialization, the UART0 module must be disabled.

```
UART0_C2 &= ~ (UART0_C2_TE_MASK | UART0_C2_RE_MASK);
```

UART0 interrupt needs to be configured in the NVIC registers in order to be able to wake from VLPS mode. Although the NVIC is disabled in VLPS mode, any UART0 interrupt which remains enabled is an input to the AWIC. Hence, AWIC provides wake-up from VLPS.

```
enable_irq(12); set_irq_priority(12, 1);
```

As mentioned in [Example 1: Polling/Interrupt mode of UART](#), the interrupt vector to the interrupt service routine must be redefined in the header file, isr.h.

```
extern void uart0_isr(void);

#undef VECTOR_028
#define VECTOR_028 uart0_isr
```

The next part represents the UART0 module configuration. At beginning, the baud rate is set. Assuming:

- MCGIRCLK correctly trimmed to 4 MHz as the source clock for the module
- Oversampling ratio 16
- 9600 kbit/s baud rate

Thus, the 13-bit prescaler divisor can be calculated as:

$$x = \frac{4000000}{9600 * 16} = 26$$

This result is similar to the result of previous example. Notice that there is an equal ratio, 12, between source clocks (48 MHz/ 4 MHz) and baud rates (115200/9600).

```
UART0_BDH = 0x00;
UART0_BDL = 0x1A;
UART0_C4 = 0x0F;
```

The UART is configured for 8-bit communication, no parity, one stop bit, LSB first, and no inversion. Appropriate match addresses must be written to the MAX registers (MSB sets to one). Writes to the MAX registers is allowed only when the appropriate bits of UART0_C4[MAENx] are cleared. Match Address Enable bits (MAENx) will be enabled

just before entering VLPS mode. The receiver interrupt must be enabled because UART0 interrupt is an AWIC wake-up source for VLPS mode. This interrupt is associated to UARTx_S1[RDRF].

```
UART0_C1 = UART0_C1_WAKE_MASK;
UART0_C3 = 0x00;
UART0_MA1 = 0x81;
UART0_MA1 = 0xAA;
UART0_C2 = UART0_C2_RWU_MASK | UART0_C2_RIE_MASK;
```

It is also convenient to clear all flags before enabling the module to avoid any unexpected behavior.

```
UART0_S1 |= 0x1F;
UART0_S2 |= 0xC0;
```

At the end of configuration, receiver and transmitter can be enabled. No additional configuration of UART0 is required.

```
UART0_C2 |= UART0_C2_TE_MASK | UART0_C2_RE_MASK;
```

To be able to enter VLPS mode, the Power Mode Protection register must allow VLPx modes. Note that this is a write-once register. If it has previously been written to, subsequent writes will be ignored.

```
SMC_PMPROT = SMC_PMPROT_AVLP_MASK;
```

After UART0 module initialization, all interrupts are enabled using the change processor state instruction.

```
asm("CPSIE i");
```

After all the required modules are initialized, the program jumps into the main while loop, which starts with sending a short message via UART0. This message just signals that 'e' or 'E' must be received in order to enter VLPS mode. In any other cases, a warning message is sent. When the correct character is received, a new message is sent. In this message, the required wake-up data information is displayed. Only this data, stored in the Match Address registers, can wake the MCU. The program will wait until UARTx_S1[TC] is set before entering VLPS mode. To simplify receiver wake-up operation, the UART module is disabled, then match addressing is enabled, and the module is re-enabled. This will restart match address operation process.

NOTE

All subsequent frames received after a correct match address event are considered to be data associated with the address and are transferred to the receive data buffer. The MCU may wake up (transfer data to the receiver buffer and generate UARTx_S1[RDRF]) on any received data after first correct address match event. Incorrect address frames place the receiver to the wait state (messages will be ignored again).

Configuration examples

Then MCU enters VLPS mode by calling the EnterVLPS() function. Exit from VLPS is triggered by Receive Data Register Full interrupt which is connected to AWIC. UARTx_S1[RDRF] is set only if an address match event occurs. It is required to clear the match address operation after MCU exits VLPS mode to avoid errors.

```
while (1)
{
    UART0_PutStr("\n\rPress <<e>> to enter VLPS mode with UART0 address match wake up");
    c = 0x00;
    while (!c);
    if ((c == 'e') || (c == 'E'))
    {
        UART0_PutStr("\n\rVLPS entered ... \n\rSend 0x81 or 0xAA to wake up");
        while( !(UART0_S1&UART_S1_TC_MASK));
        UART0_C2 &= ~(UART0_C2_TE_MASK|UART0_C2_RE_MASK);
        UART0_C4 |= UART0_C4_MAEN1_MASK|UART0_C4_MAEN2_MASK;
        UART0_C2 |= (UART0_C2_TE_MASK|UART0_C2_RE_MASK);
        EnterVLPS();
        UART0_C4 &= ~(UART0_C4_MAEN1_MASK|UART0_C4_MAEN2_MASK);
    }
    else
    {
        UART0_PutStr("\n\rWrong setting. Try again.\n\r");
    }
}
```

In the interrupt service routine, the UART Data register is read. Data is stored in a global variable.

```
void uart0_isr(void)
{
    if (UART0_S1&UART_S1_RDRF_MASK)
    {
        c = UART0_D;
    }
}
```

The EnterVLPS() function sets the appropriate bits in the Power Mode Control register and then sets SLEEPDEEP field in the System Control Register. VLPS mode is entered after the WFI instruction execution.

```
void EnterVLPS(void)
{
    SMC_PMCTRL |= SMC_PMCTRL_STOPM(2);
    SCB_SCR |= SCB_SCR_SLEEPDEEP_MASK;
    asm("WFI");
}
```

The following code is used for sending a string.

```
void UART0_PutStr(uint8* str)
{
    uint16 i=0;
    while(str[i] != 0)
    {
        while( !(UART0_S1&UART_S1_TDRE_MASK));
        UART0_D = str[i];
        i++;
    }
}
```

Chapter 9

Universal Serial Bus OTG Module

9.1 Introduction

The Universal Serial Bus (USB) is a serial bus standard for communicating between a host controller and different types of devices. USB has become the standard connection method for PCs, PDAs, and video games, and more recently has been used on power cords. This is because USB can connect printers, keyboards, mice, game devices, communication devices, storage devices, and custom devices. USB 2.0 full-speed allows 12-Mbps communication between the host controller and the device.

9.2 Features

- USB Full Speed 2.0 compliant (12 Mbps)
- Dual role operation
- 16 double-buffered bidirectional endpoints
- On-chip USB full-speed PHY
- 120 mA on-chip regulator for MCU and external components

9.3 USB operation modes

- **Device mode:** The USB is configured to respond to external host requests. In this mode, the MCU has no control of the USB bus. All the transfers are started by the host controller that is also providing the VBUS voltage. [Figure 9-1](#) shows the operation of USB in Device mode.

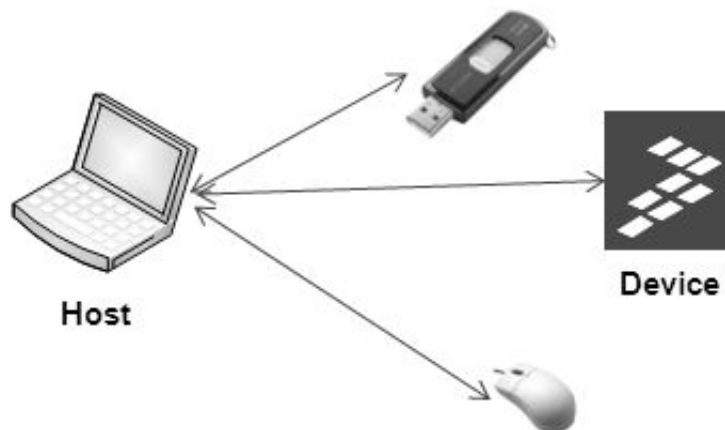


Figure 9-1. USB Device mode

- **Host mode:** In this mode, the module works as the USB master having the entire control of the USB bus. The serial interface engine takes care of the timing and the frames while the software stack takes care of the transfer management of the bus. The host also needs to provide the 5 V (VBUS) power line to supply the remote devices, if needed. See [Figure 9-2](#).



Figure 9-2. USB Host mode

9.4 Voltage regulator operation modes

The voltage regulator is composed of two regulators in parallel, the STANDBY regulator and the RUN regulator. The input pin for the regulator is called VREGIN and the output pin is VOUT33.

When Standby mode is enabled, the regulator limits maximum current load to 1 mA. If VOUT33 is the main power supply of the MCU, there would not be enough current for the MCU to execute instructions. The USB voltage regulator implements a protection mechanism that controls when the USB voltage regulator is placed in Standby mode. See [Figure 9-3](#).

- **Run mode:** The regulating loop of the RUN regulator and the STANDBY regulator are active, but the switch connecting the STANDBY regulator output to the external pin is open. See [Figure 9-3](#).
- **Standby mode:** The regulating loop of the RUN regulator is disabled and the standby regulator is active. The switch connecting the STANDBY regulator output to the external pin is closed. See [Figure 9-3](#).
- **Shutdown:** The module is disabled.

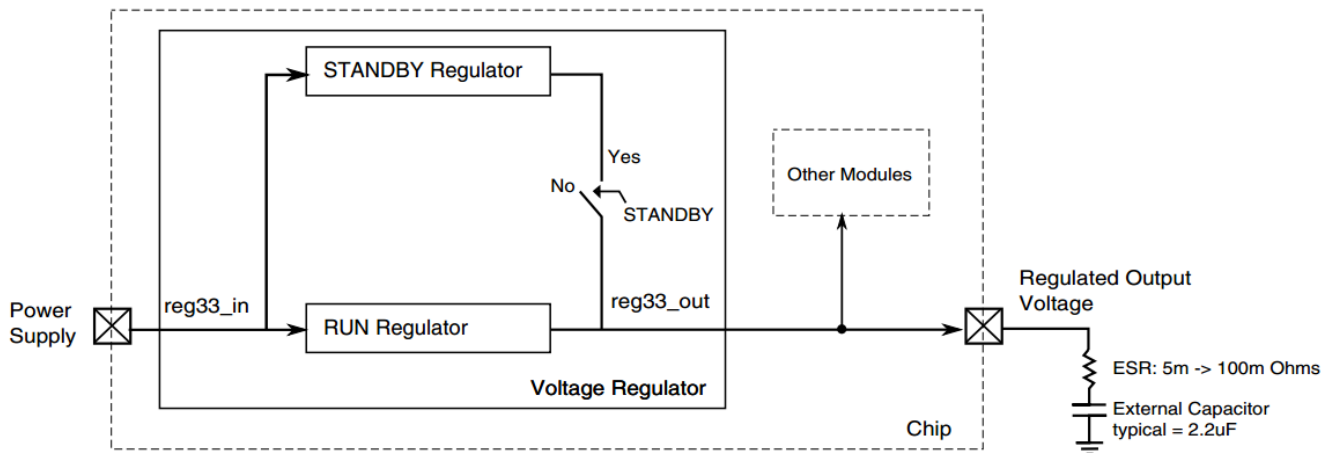


Figure 9-3. Voltage regulator block diagram

When the input power supply is below 3.6 V, the regulator goes to pass-through mode. [Figure 9-4](#) shows the ideal relation between the regulator output and input power supply.

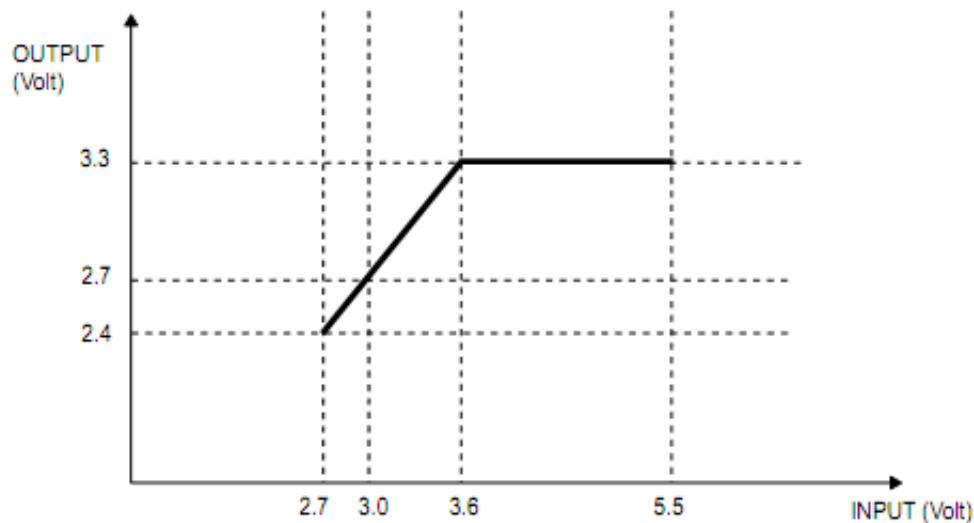


Figure 9-4. Regulator output

9.5 Module configuration

9.5.1 Module dependencies

Clock source

The USB module needs a 48 MHz clock to operate. There are three possible sources for the USB clock: PLL, FLL, and an external pin called USB_CLKIN. With PLL, there is a default prescaler of 2. The output of the PLL/FLL goes to a MUX, and then a choice is made between this signal and the USB_CLKIN pin. Figure 9-5 shows the USB clock diagram.

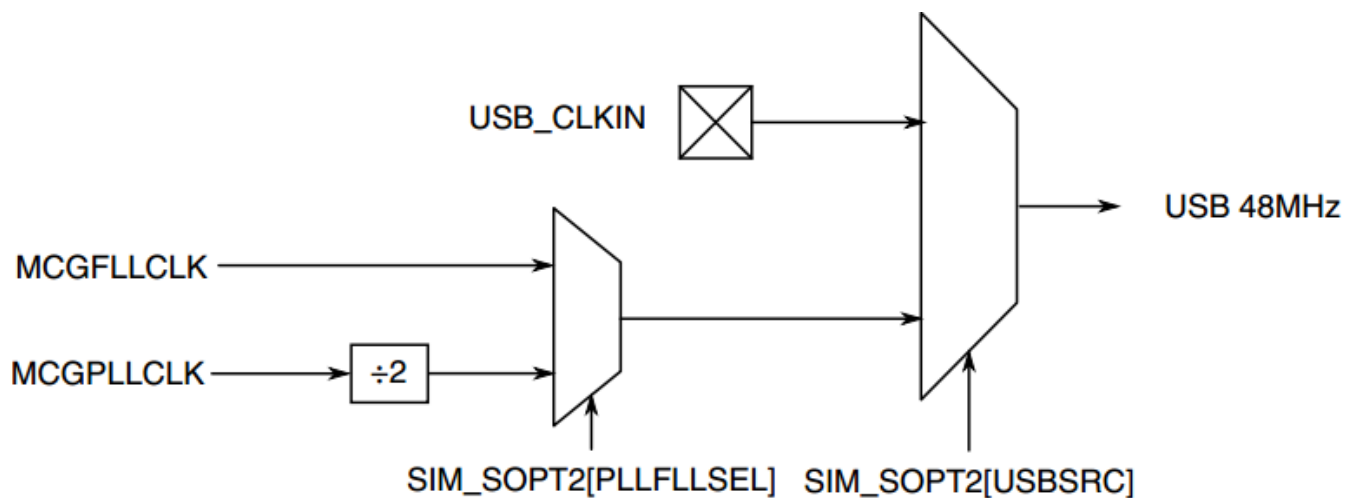


Figure 9-5. USB clock diagram

Voltage regulator

The USB transceiver power supply comes directly from VOUT33 (voltage regulator output). Therefore, the regulator must be enabled to supply 3.3 V to the transceiver.

9.5.2 USB initialization process

The USB module can work in either Device or Host mode. During initialization, the two modes are similar, but there are minor differences between the two.

- **Device mode initialization:** In Device mode, after initialization is complete, the USB module activates the pullup resistor to be detected by the remote host. Figure 9-6 shows the initialization flow diagram of the USB module in Device mode.

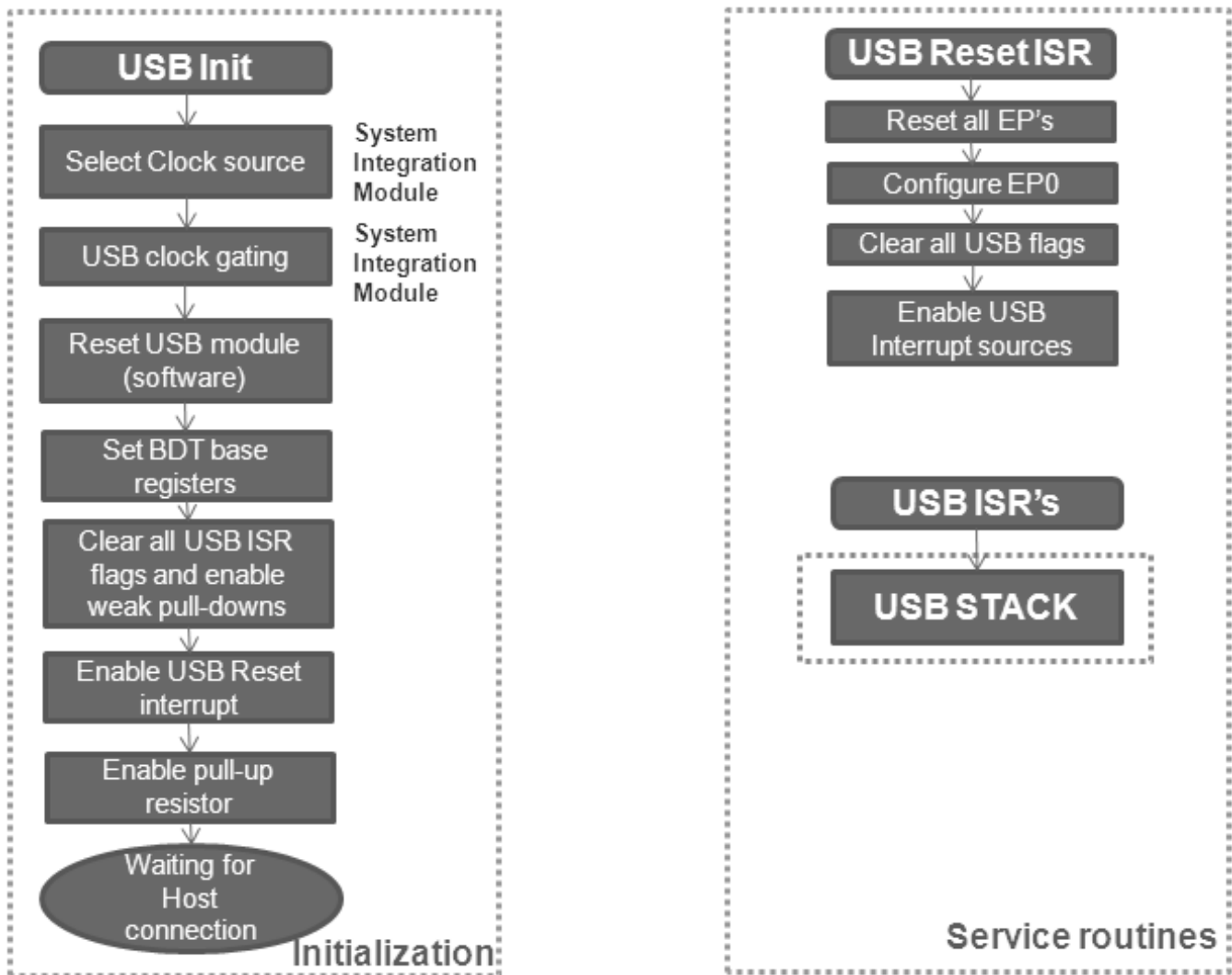


Figure 9-6. Device mode initialization flow

- Host mode initialization:** To enable host support, one bit needs to be set. This enables 1-ms SOF (start of frame) generation in the USB module. When a pullup is detected in the D+ or D- signal, the module generates the attached interrupt, which indicates that one device is attached to the bus and the enumeration process must start. [Figure 9-7](#) shows the initialization flow diagram of the USB module in Host mode.

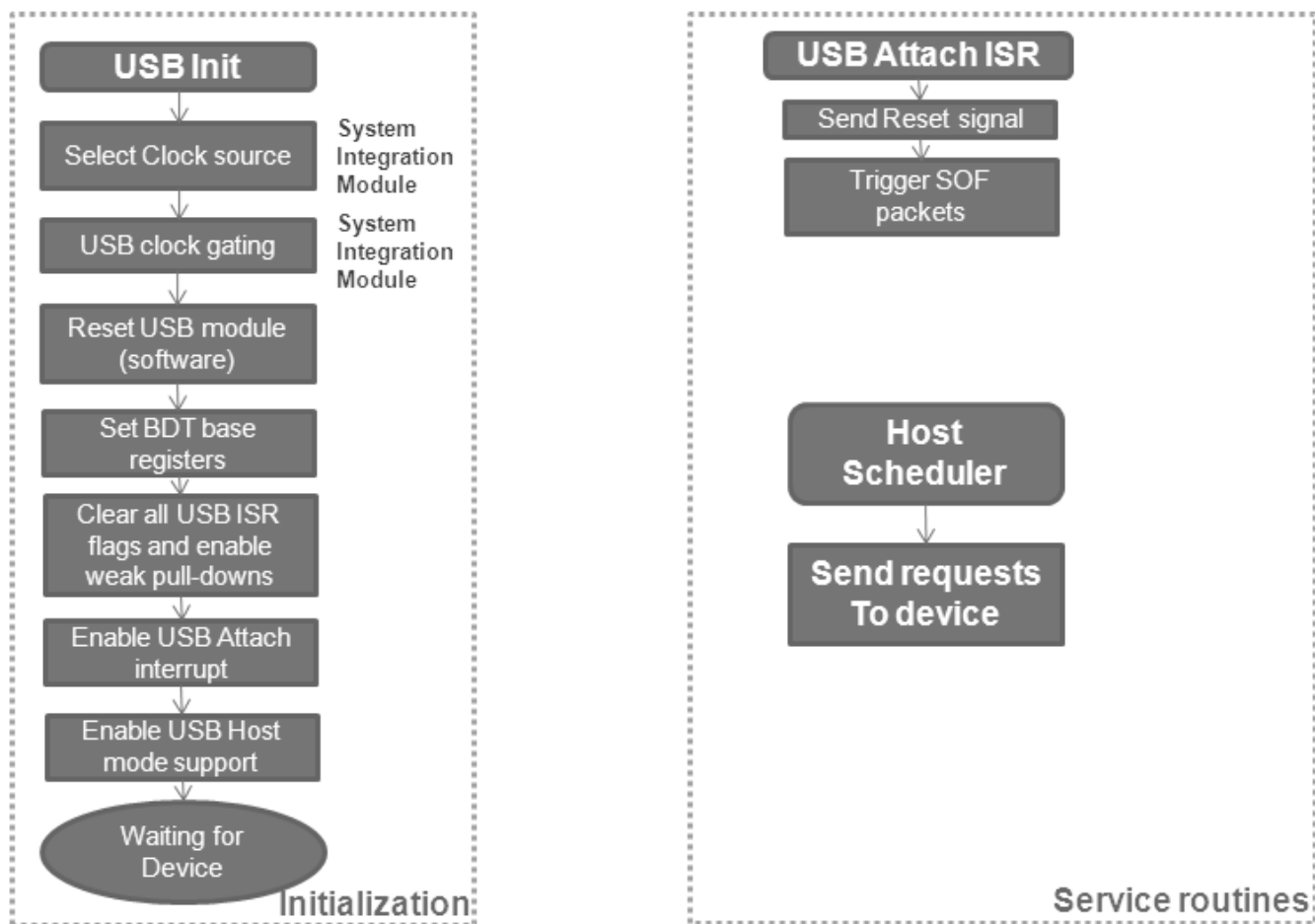


Figure 9-7. Host mode initialization flow

9.5.3 Voltage regulator initialization

The USB regulator is enabled by default; therefore, no initialization is required unless the regulator was previously disabled by the software after the last POR.

9.6 Hardware implementation

9.6.1 Connection diagram

The USB 2.0 requests the D+ and D- signals, VBUS (5 V power line), ground, and in some cases, the ID pin. This ID pin is included in the OTG specification and is used when one device can act as a host or as a device, depending on which plug is connected

into the board connector. The mini-A plug, which indicates that this part is a host, has the ID pin grounded, while the ID in the mini-B plug is floating, indicating that this part will act as a device.

Host only

If the application supports only Host mode (Figure 9-8), it is not necessary to include the ID line in the hardware. However, because it is a host, the hardware must provide 5 V with enough current to supply the device side (when plugged). This voltage is typically provided by an external IC controlled by the MCU.

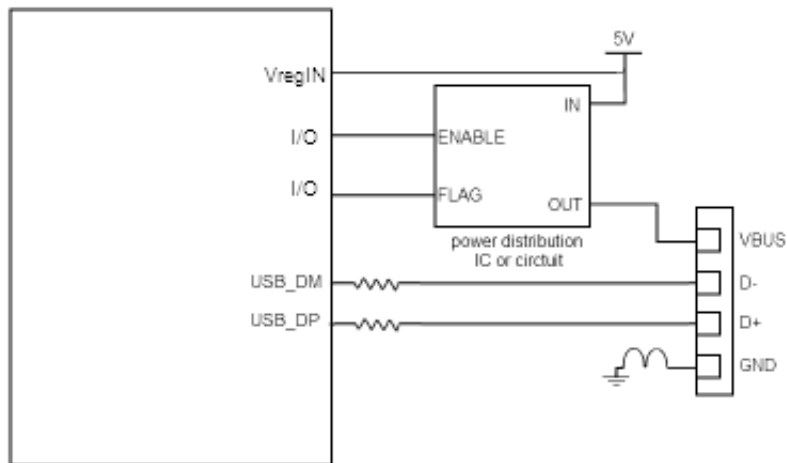


Figure 9-8. Host only diagram

Device only

In many cases, the application just needs to communicate with an application running on a PC. In this case, the application running on the MCU supports only Device mode. See Figure 9-9. This application can be self-powered, using an external power supply, or bus-powered (powered from the 5 V coming from the host). In both cases, the USB regulator must be enabled to supply the USB transceiver. Also, the ID line is not needed in this scenario.

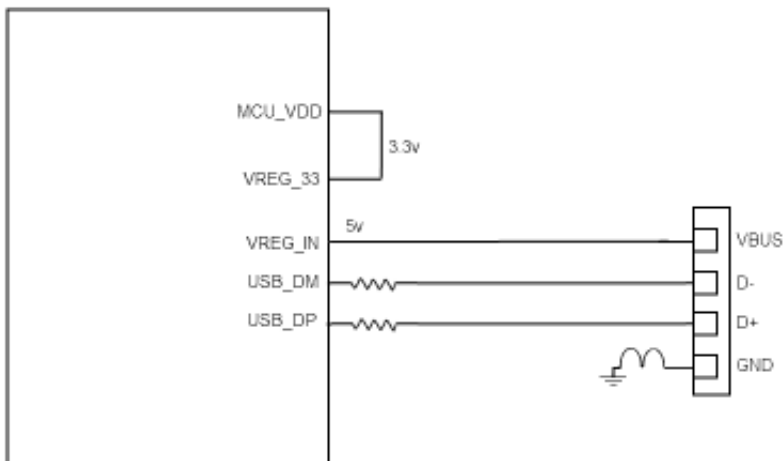


Figure 9-9. Device only diagram

Dual role

This mode is used when the application can be connected to a PC or is able to handle external USB devices, such as fingerprint readers, mice, USB flash drives, and so on. The application running on the MCU will be configured in Device mode (not applying 5 V to the VBUS line) until the ID signals become low. This indicates that a host mode reconfiguration is needed, and 5 V is then applied to the VBUS signal using the external IC. See [Figure 9-10](#).

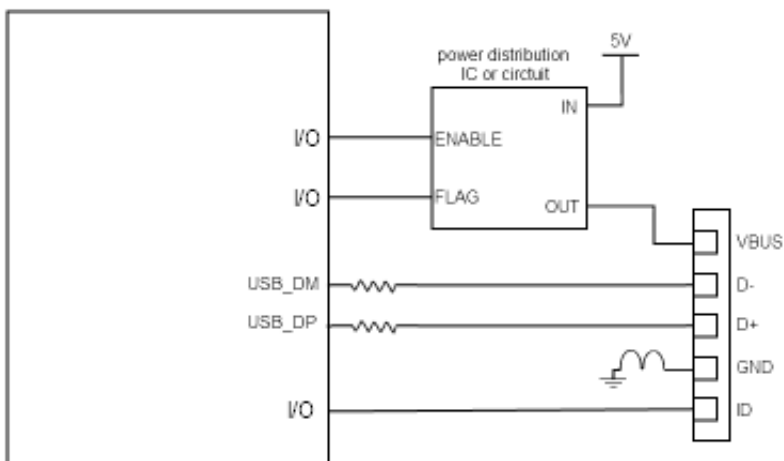


Figure 9-10. Dual role diagram

9.6.2 Components and placement suggestions

[Figure 9-11](#) depicts the components of the USBOTG module and their placement.

- The MCU does not include a signal for supplying the 5 V VBUS power for the USB. An external power management chip or discrete logic for enabling VBUS is required for the host operation.
- The power distribution circuit must have overcurrent detection capability to be compliant with the USB standard.
- The $33\ \Omega$ series termination resistors are recommended for the FS and LS USB transceiver. These series termination resistors must be placed as close as possible to the transceiver to maximize the eye diagram for the data lines.

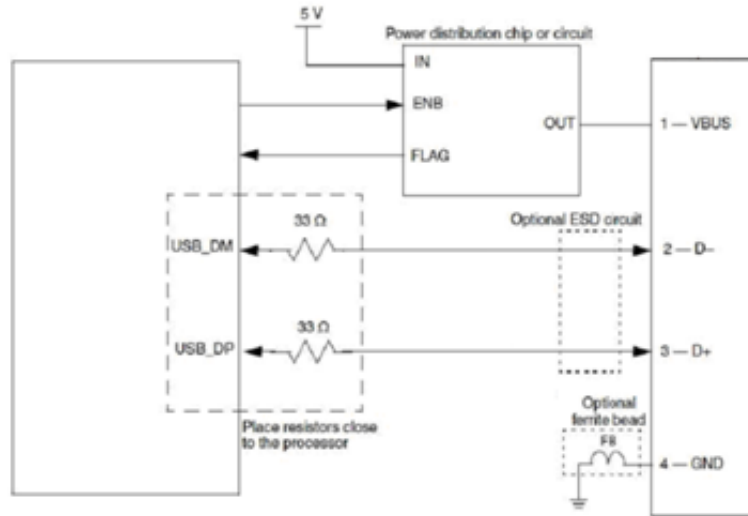


Figure 9-11. Components and placement

9.6.3 Layout recommendations

- Route the USB D+ and D- signals as parallel $90\ \Omega$ differential pairs.
- Match the trace lengths as closely as possible. Matching within 150 mil is a good guideline.
- Try to maintain short trace lengths, not longer than 15 cm.
- Avoid placing USB differential pairs near signals, such as clocks, periodic signals, and I/O connectors, that might cause interference.
- Minimize vias and corners.
- Route differential pairs on a signal layer, next to the ground plane.
- Avoid signal stubs.

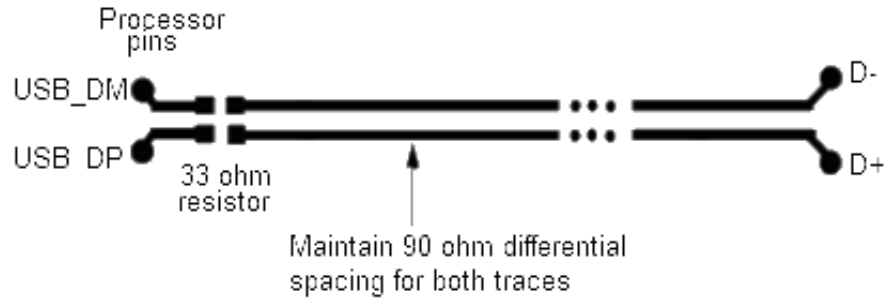


Figure 9-12. USB layout recommendations

9.7 Example code

NOTE

The example code included in this user guide is for demonstration purposes only. For general-purpose applications, please download Freescale USB stack with PHDC support or Freescale MQX Software Solutions from freescale.com/usb.

9.7.1 Device code

This demo is a simple echo terminal using the communication device class. The USB is recognized as a standard COM port that can be used for the HyperTerminal or any program that uses a serial port.

To run this demo, it is necessary to have a 48 MHz frequency out of the USB clock.

1. After the board is connected, the PC requests a driver. Point to the `Freescale_CDC_Driver_kinetis.inf` file to install the device on the computer. In the Device Manager window, a Freescale CDC device will be found after the enumeration process is completed. See [Figure 9-13](#).



Figure 9-13. Windows device manager

2. Then, open HyperTerminal pointing to the COMx device (in this case, COM4) with 8-bit size, 1 stop bit, no flow control, 9600 baud rate, and begin typing in the terminal. See [Figure 9-14](#). The software running in the MCU returns the same characters.

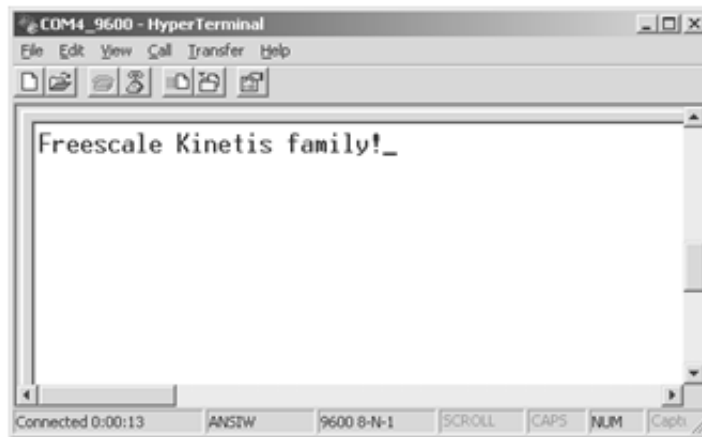


Figure 9-14. HyperTerminal window

9.7.2 Host code

Host operation is more complex than the device in terms of software stack and task handling. However, it is less time-dependent because the application running in the MCU has control of the entire bus.

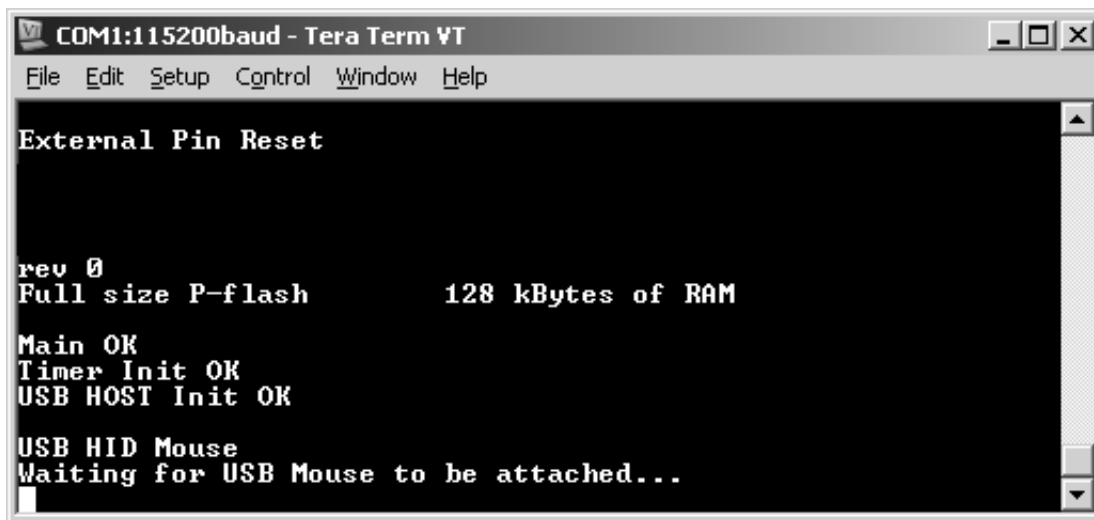
This example code basically enumerates an HID USB mouse and sends that information to a terminal using the serial port. It also reports all movements and button changes directly in the terminal.

Example code

To run this demo:

1. Connect one serial cable between the board and the PC.
2. Open a terminal console (8-bit, 1 stop bit, no flow control, 115200 baudrate).
3. Make sure that the jumper configuration is appropriate to supply 5 V through the USB port.
4. Run the application.

The application will send a message that it is waiting for an HID USB mouse to be attached. See [Figure 9-15](#).



```
COM1:115200baud - Tera Term VT
File Edit Setup Control Window Help
External Pin Reset

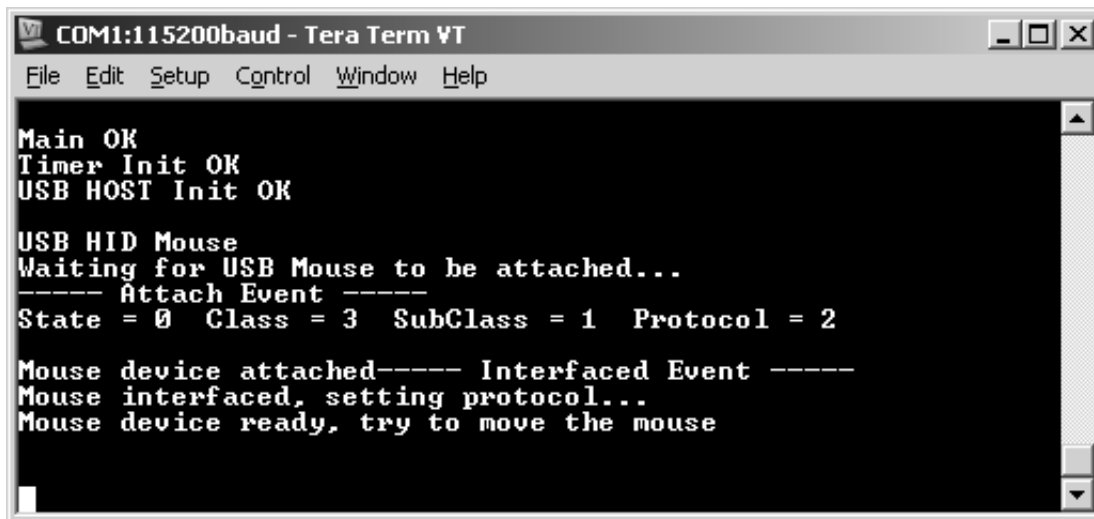
rev 0
Full size P-flash      128 kBytes of RAM

Main OK
Timer Init OK
USB HOST Init OK

USB HID Mouse
Waiting for USB Mouse to be attached...
```

Figure 9-15. Host state before connecting USB mouse

After this message appears, connect a USB mouse to the connector. Automatically, a message will appear stating that a single device was connected and the type of device. See [Figure 9-16](#).



```
COM1:115200baud - Tera Term VT
File Edit Setup Control Window Help

Main OK
Timer Init OK
USB HOST Init OK

USB HID Mouse
Waiting for USB Mouse to be attached...
----- Attach Event -----
State = 0 Class = 3 SubClass = 1 Protocol = 2

Mouse device attached----- Interfaced Event -----
Mouse interfaced, setting protocol...
Mouse device ready, try to move the mouse
```

Figure 9-16. USB mouse successfully enumerated

Finally, move the mouse (or other pointing device) or press any button, and the status will be displayed in the terminal screen. See [Figure 9-17](#).

```

COM1:115200baud - Tera Term VT
File Edit Setup Control Window Help
Mouse device ready, try to move the mouse

Left Click
      Right Click
      Right Click
                Left
                        Down
                Right
                Right Down
                Right Down
                Right Down
                Right Down
                Right Down
                Right Down
                Right Down
                Right Down

```

Figure 9-17. Mouse events

Code explanation

For USB host support, the application needs to schedule BUS space for all the available devices on the USB bus. The code is a little complex to explain in this document, but this example code is based on the Freescale USB stack with Personal Healthcare Device Class (PHDC) support.

Documentation and API information is available on freescale.com. The stack is free and is compatible with Freescale MQX™ real-time operating system (RTOS).

For more information regarding this demo, please visit freescale.com/medicalusb.

Chapter 10

Touch Sense Input (TSI) Module

10.1 Overview

The Touch Sensing Input (TSI) module is designed to interface the MCU with capacitive touch sensing electrodes to easily implement advanced user input controls.

The TSI module includes hardware that is able to drive touch sensing electrodes (or capacitors, created by flat conductive areas) providing robustness above traditional GPIO-based RC measurements and logic that automatically scans up to 16 electrodes, measures and outputs the results, and generates interrupt signals to the CPU.

10.2 Introduction

Capacitive touch sensing has become one of the de-facto input technologies for user input in Human-Machine Interfaces (HMI).

It now has a place in all types of markets, from industrial control panels to portable consumer devices. Though capacitive touch sensing is not the only touch sensing method, it is one of the most common and most practical to implement.

The basic element in capacitive touch sensing is the electrode. In this case, the electrode is an area of conductive material with dielectric material on the top, usually plastic or glass. This is what the user touches. This conductive area plus the dielectric material effectively creates a capacitor referenced to the system ground. By touching the dielectric on top of the electrode, the user effectively changes the electrode capacitance both by adding a second conductive area that is grounded (the conductive part of the finger) and by increasing the dielectric of the original capacitor. The sensor (in this case, the TSI module) uses a capacitive sensing method to measure changes in the electrode capacitance.

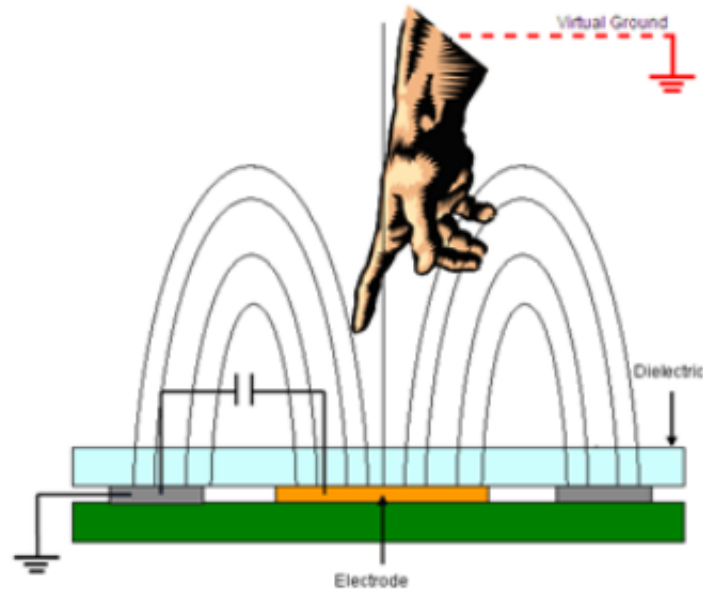


Figure 10-1. Capacitive touch sensing electrode model

The RC method is a common measurement for capacitive touch sensing. In this method, a large pull-up resistor (approximately 1 M Ω) is connected to each electrode. The processor or sensing ASIC measures the time it takes the electrode (or capacitor) to become charged. When a finger approaches the electrode, the capacitance increases and so does the charging time. This charge time change is considered a touch. The problem with this method is that it is a weak pull-up, and thus susceptible to external noise.

The TSI uses a different measurement method. It has two constant current sources, one for charging and the other for discharging the electrode. This creates a triangular wave, which has a configurable peak-to-peak voltage or delta voltage. The following figure shows the electrode current source oscillator structure.

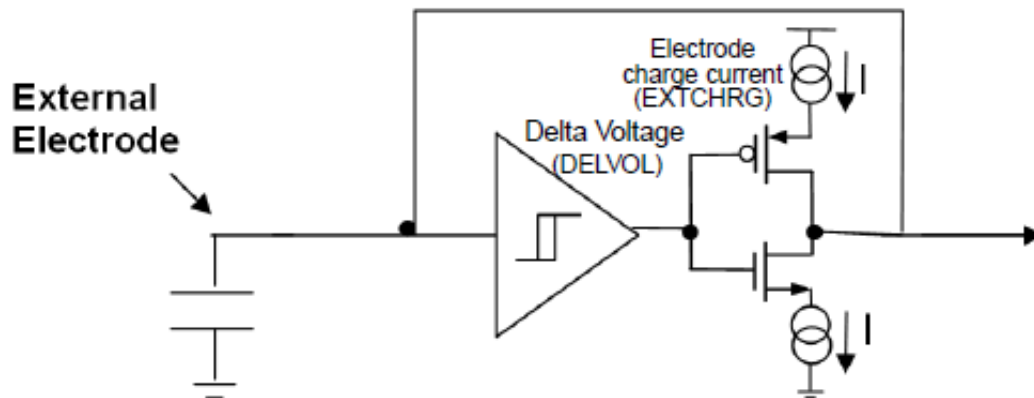


Figure 10-2. TSI Electrode current source oscillator

The time the electrode takes to charge is directly proportional to the current source output and the size of the capacitor per the following formula:

$$F_{elec} = \frac{I}{2 * C_{elec} * V}$$

Figure 10-3. TSI electrode frequency formula

The TSI measures the length of the charging time with a reference oscillator. To increase the robustness of the measurement, the TSI relies on an internal oscillator similar to the one shown above, but with an internal capacitor instead of an external electrode. The reason to do this instead of counting bus clock cycles, is that the current sources in the internal oscillator are part of the same silicon as the external electrode oscillator. When the output drifts because of temperature or voltage changes, both oscillators change, making the final touch detection compensated. When configuring, TSI users must make sure to have the reference oscillator oscillate faster than the external oscillator, because this causes more reference counts per electrode oscillation. More counts, or more resolution, allow more headroom for touch detection and noise rejection. The following figure shows the relationship between internal and external oscillations, with or without touch.

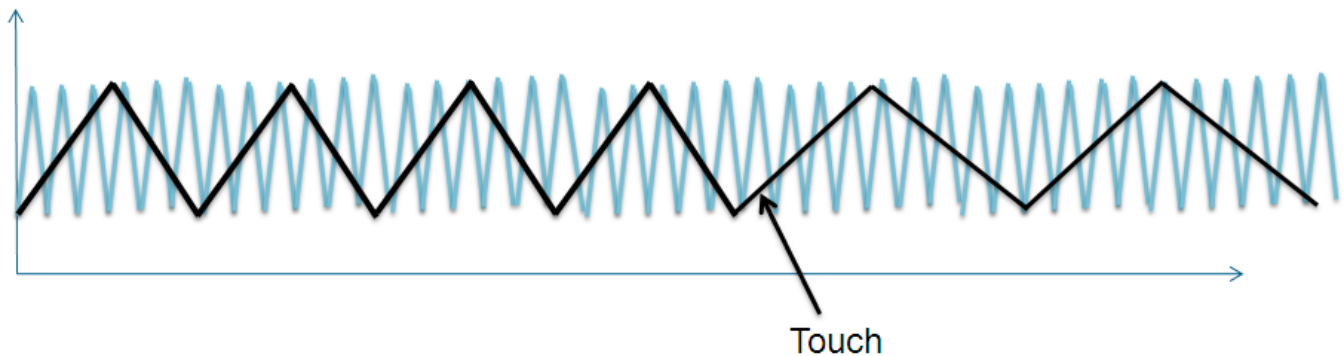


Figure 10-4. Internal reference oscillations vs. external reference oscillations

Notice how the frequency becomes slower when a finger touches the electrode, and how more reference oscillations (blue) fit into one electrode (black) oscillation.

10.3 Features

The TSI module includes several features designed to simplify touch sensing as well as add versatility and performance:

- Support up to 16 external electrodes

- Detection of electrode capacitance changes with programmable upper and lower threshold
- Configurable software or hardware scan trigger
- Low power mode current adder can be $<1\mu\text{A}$.
- Automatic detection of electrode capacitance across all operational power modes
- Capability to wake MCU from low power modes

NOTE

Low power features will be fully functional in a future mask of the KL2x or KL0x series.

- High sensitivity sensor with 16-bit resolution counter
- Supports DMA data transfer

These features enable the following special characteristics:

- No external components needed, the pin can be directly connected to an electrode. A series resistor can be used to limit the current that might flow into the pin in case of an ESD event, but it is not necessary.
- Single pin-per-electrode architecture
- External and reference oscillator subject to the same temperature and supply voltage variation so calibration thresholds are compensated. No touch detection variations over temperature and supply voltage range.
- Number of scans can be configured for faster response time or for higher resolution, up to 4096 scan times

10.4 TSI configuration

All use cases for the TSI module refer to using capacitive electrodes as touch sensors. For further information on using touch sensors and HMI see [AN3863: Designing Touch Sensing Electrodes](#), at www.freescale.com/touchsensing.

There are three modes of operation that must be considered when configuring the TSI, which are used in most applications:

- Software triggered active mode
 - One electrode is scanned once
 - No scanning period as scan is run only once
 - Need to switch between electrodes by software to scan all desired electrodes
 - Ideal for scanning once the application is in run mode
- Continuous active mode
 - One electrode is scanned continuously

- Configuration of the LPTMR determines the scanning period
- Ideal for scanning only one electrode continuously
- Continuous low power mode
 - Only one electrode is continuously scanned
 - Single enabled electrode can be used to wake-up the system from low power mode
 - Configuration of the LPTMR determines the scanning period
 - Enabled when the MCU goes into low power mode if the STPE bit is set

NOTE

In the L series TSI module, there is no automatic scanning of TSI channels. In all cases, the user software must switch electrode channels.

Configuration tips:

- Enable the TSI clock gate before reading or writing TSI registers.
- Initialize with the module disabled (TSIEN = 0).
- When a configuration change is needed, make sure the module is not scanning (SCNIP = 0). It is not necessary to disable the module; go into software triggered mode and wait for the current scan to finish.
- Clear any pending flags (error, overrun, out of range, or end of scan) before enabling interrupts.

The following is a typical TSI software triggered initialization:

```
//Enable clock gates
SIM_SCGC5 |= (SIM_SCGC5_TSI_MASK) | (SIM_SCGC5_PORTA_MASK);
PORTA_PCR1 = PORT_PCR_MUX(0); //Enable ALT0 for portA1 -> Ch 2

//Configure the TSI module and enable the interrupt
TSIO_GENCS |= (TSI_GENCS_ESOR_MASK
              | TSI_GENCS_REFCHRG(4)
              | TSI_GENCS_DVOLT(0)
              | TSI_GENCS_EXTCHRG(6)
              | TSI_GENCS_PS(2)
              | TSI_GENCS_NSCN(11)
              | TSI_GENCS_TSIEN_MASK
              | TSI_GENCS_STPE_MASK
              | TSI_GENCS_STM_MASK //Trigger for the module 0=Software
              );
// Clear End of scan and Out of Range Flags
TSIO_GENCS |= (TSI_GENCS_OUTRGF_MASK) | (TSI_GENCS_EOSF_MASK);
//Select Desired Channel to Scan
TSIO_DATA |= (TSI_DATA_TSICH(2)); // Choose channel 2
// Enables TSI
TSIO_GENCS |= (TSI_GENCS_TSIEN_MASK);
```

Steps taken to enable the module:

1. Enable clock gates—Both the TSI and the PORTA clock gates are enabled. PORTA clock gate is enabled because TSI channel 2 is shared with PORTA 1. This pin does not have the TSI as a primary function. It is necessary to change the pin function to

the TSI with the multiplexing bits in the PORTA pin control register (PCR). All other TSI pins are enabled by default.

2. Configure the general control and status register (GENCS)—Configure the number of scans and prescaler, which is a multiplier for the number of scans. Additionally, it is possible to enable the TSI interrupts as well as the low power mode, whether the end of scan or out-of-range interrupts are requested, and as a continuous scan mode (STM bit) using the hardware trigger. When using a hardware trigger it is important to configure the LPTMR, which is used as the trigger source.
3. Additional configurations of the general control and status register (GENCS)—Allows you to define the current that charges the electrodes and the internal reference (EXTCHRG and REFCHRG) as well as the delta voltage (DELVOL) that is applied to both.
4. Configure the TSI Data Register (DATA)—Select the desired channel to scan (TSICH) as well enabling the use of DMA.
5. Enable the TSI module (TSIEN)—Enabling the module is relinquished to the end of the configuration, after everything else is set.

10.4.1 Configuration Example

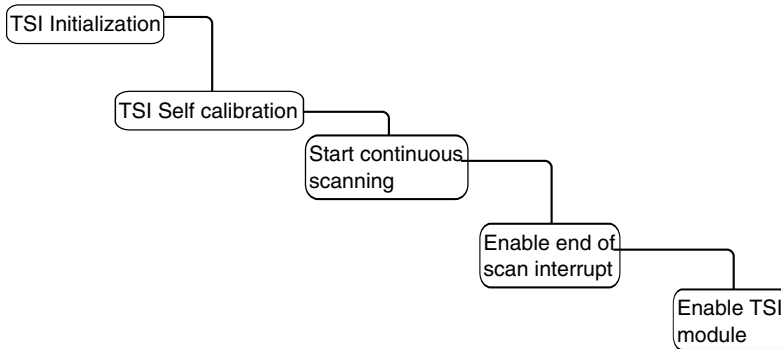
The following example uses both electrodes from the Kinetis Tower board.

The application detects touches. These touches turn on and off the LEDs below the electrodes. The baseline is not tracked, but measured initially and assumed to be constant. Baseline tracking is critical in applications where the environment is susceptible to change. Because this example is intended to be simple, baseline tracking has not been implemented.

The most relevant part of initialization is enabling the module after configuration. In this application, after initial configuration, the `TSI_SelfCalibration()` is called. This function performs a single scan at the beginning of the program to determine a baseline or "untouched" value for the electrodes. In this application the baseline value and the touch value are stored in separate data arrays. The touch value is equal to the baseline value of each electrode plus a delta value. This delta value must be below the touch value, but above the noise level of the untouched electrode. By debugging, an ideal delta value is determined. It is always best to keep this delta value as high as possible, but low enough that all touches are detected.

Notice that the `TSI_SelfCalibration()` function performs a single scan and waits for the scan to finish and the values to be updated in the registers. The calibration function also disables the TSI module afterwards, so that the following code enables the module as needed. During application time, the TSI is interrupt driven. See the following figure:

Figure 10-5. Application start-up procedure



This application is specifically designed to show the small amount of code and CPU resources that are required to track touches with the TSI. For advanced HMI functionality, Freescale provides the Touch Sensing Software (TSS) library free of charge. This library provides basic touch sensing and advanced API for HMI functions like multiple key detection, grouping of controls like keypads, sliders, and rotaries. It also implements advanced filtering and automatic baseline tracking, providing further robustness to the measurements. For more information on the TSS library and downloads, visit www.freescale.com/touchsensing.

10.4.1.1 Code Example and Explanation

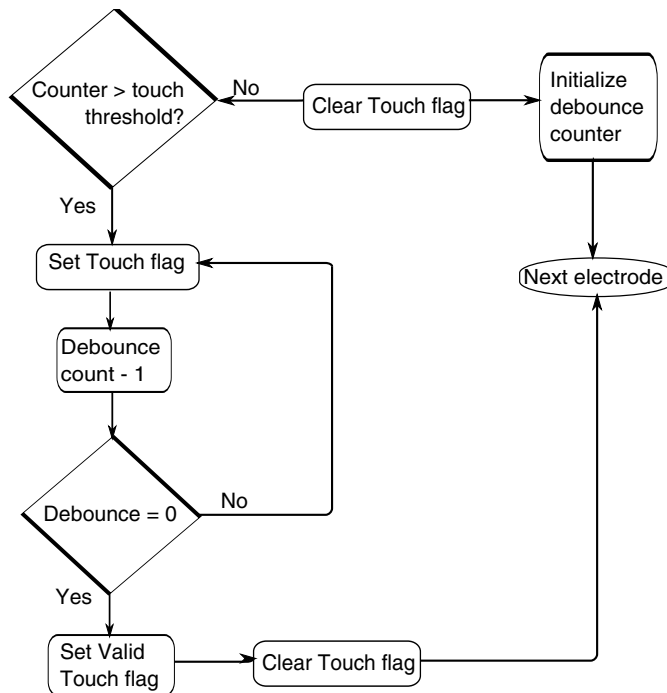
After initialization, in the TSI configuration the next step is to detect touches.

As can be seen in the figure, the end-of-scan interrupt is used. At each end of the scan, the interrupt subroutine is called by the TSI module and all post processing is done in the ISR. There is no baseline tracking because the baseline is assumed to be constant. The main algorithm to implement is debouncing. Debouncing is the process of validating that a button push or, in this case, a touch, is valid.

Debouncing is necessary even in standard mechanical keyboards or buttons. In mechanical buttons, electrical disturbances caused by the two metal contacts approaching may cause more than one button press event to be logged or detected. In capacitive touch sensors, as the finger approaches the electrode, capacitance varies, similar to mechanical buttons. Variations in capacitance due to a finger approaching or moving away may falsely trigger more than one touch.

Debouncing code can be read in the QRUG application code. The following figure shows a flow diagram that explains the debouncing algorithm.

Figure 10-6. Debounce algorithm flowchart



The interrupt subroutine is also in charge of checking if the "ValidTouch" flag was enabled after debouncing for both electrodes, and toggling the appropriate LED. The `DBOUNCE_COUNTS` macro can be found in the `TSI.h` file. This value defines how many scans with the capacitance above the touch threshold are needed for a touch to be considered valid. This value can be modified to suit the specific needs of different applications and electrode sizes.

10.5 TSI hardware implementation

The critical external component for the TSI is the electrode. Electrodes are flat conductive areas that can be etched into a PCB or drawn with conductive inks on plastic or crystal.

With the GPIO measurement method, an external pull-up resistor is needed. In the case of the TSI, the electrode charge is driven by the current sources, therefore there is no need for an external pull-up resistor. In certain applications where conducted emissions or ESD is a concern, external protective components can be added. The idea is to use only a transient voltage suppression (TVS) diode designed for ESD suppression and a low value (100 - 470 Ω) resistor as protection for current that might flow into the MCU.

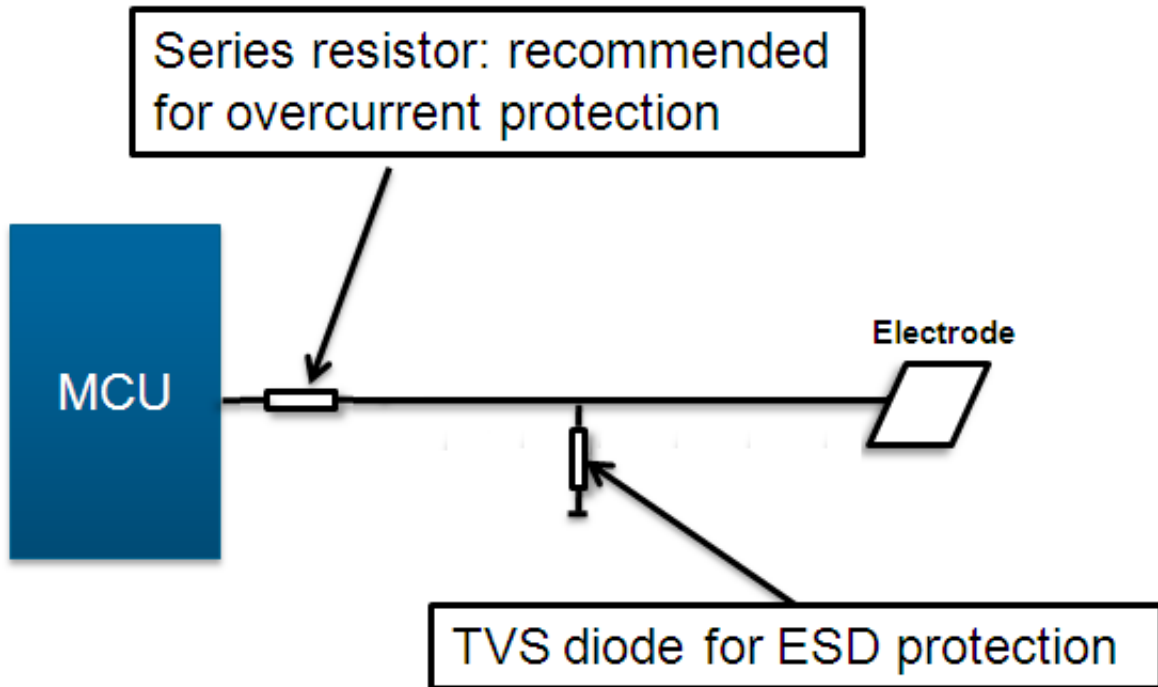


Figure 10-7. Recommended hardware additional to the electrode

For further information on designing electrodes and in-depth considerations on hardware and electrode design, see [AN3863: Designing Touch Sensing Electrodes](http://www.freescale.com/touchsensing) at www.freescale.com/touchsensing.

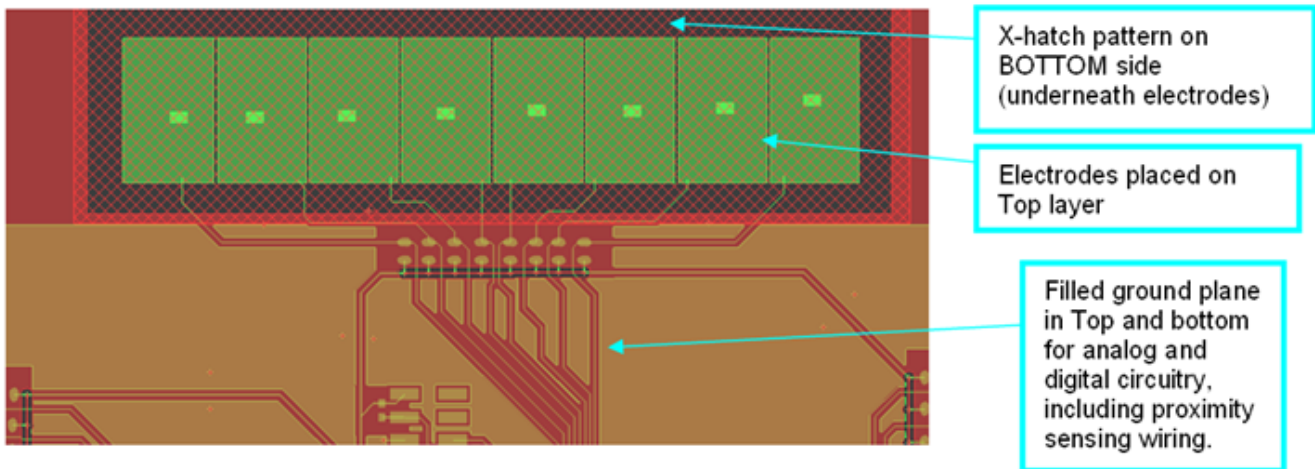
10.5.1 PCB Routing and Placement

The following list includes the most important things to consider when designing touch sensing electrodes for the TSI:

1. Trace width—Keep the trace width as thin as possible; 5-7 mil traces are recommended. The wider the traces, the more base capacitance.
2. Clearance—Leave a minimum clearance of 10 mils. Use bottleneck mode at the trace connection to the MCU, because the pitch is lower than 10 mils.
3. Keep trace length as short as possible. As traces becomes longer the baseline capacitance increases and is more susceptible to coupled noise.
4. Electrode traces must be routed in a different layer from the one containing the electrodes.
5. Components and traces must not be placed directly underneath the electrodes area. Good results can be obtained if the number of components behind the electrodes is minimized and running as few traces as possible.

It is always important to consider ground planes. A ground plane below and around the electrodes adds noise suppression and a reference ground for the electrodes. A continuous ground plane below the electrodes also increases the base capacitance, causing the touch delta to be reduced. To work around this issue, an x-hatch ground plane is recommended as shown in the following figure. The x-hatch pattern helps to filter out noise. Because the area is smaller, it will not increase the base capacitance as much as a continuous plane, and thus does not affect sensitivity as much.

Figure 10-8. Recommended x-hatch ground plane pattern



NOTE

For further information on proper electrical design, see [AN3863: Designing Touch Sensing Electrodes](http://www.freescale.com/touchsensing) at www.freescale.com/touchsensing.

Chapter 11

Using Low-Power Timer (LPTMR) to Schedule Analog-to-Digital Converter (ADC) Conversion

11.1 Overview

This chapter will demonstrate how to use the low-power timer (LPTMR) to schedule and perform analog-to-digital (ADC) conversions of the analog voltage available from the on-board demonstration potentiometer. The application will sense the potentiometer control and report it over the serial port.

The code example shows how to:

- Make a low-level driver for the ADC
- Configure the ADC for averaging a single-ended voltage conversion
- Use the bus clock to clock the ADC
- Use a simple exponential filter on the averaged results
- Schedule the ADC conversions at time intervals determined by the LPTMR

Calibration of the ADC is also illustrated in this chapter.

11.1.1 Introduction

When the Kinetis L series MCU is acting as a controller, it will output control changes from time to time. Scheduling ADC conversions around these changes, which may make transient disturbances in the system, is key. Timing of ADC conversions relative to system events is important to applications, such as motor control and metering, requiring the best time to get a noise-reduced reading.

Scheduling the ADC conversions at a time after the transient effects of the last control change has been made can enable smooth operation of control loops.

Scheduling the ADC conversions at a time after the transient effects of the last control change has been made can enable smooth operation of control loops. The PDB allows simple scheduling of one or both of the ADC peripherals conversions.

In this example, ADC0 channel 4, which is connected to the onboard potentiometer, is scheduled for conversion and will be used to report the control input. The low-power timers are set to intervals long enough to easily observe the timing on an onboard LED, after which a message summarizing the readings is presented. The messages will be filtered such that if no significant change in the potentiometer is made, no report will be issued.

11.1.2 Features

The ADC features demonstrated by the `adc_demo` example code include:

- Simple calibration of the ADC:

A simple driver for the ADC facilitates using both ADCs and their calibration with minimal software. Prior to taking the first measurement, during the initialization of the demo project, the ADC will be calibrated. The use of the driver of the ADC will simplify this. While the ADC can be used prior to calibration for conversions, the calibration of the ADC enables it to meet its specifications.

- Averaging by 1, 4, 8, 16, or 32:

The ADC's can average up to 32 conversion values prior to ending the conversion process and generating a result. This feature reduces CPU load; it also reduces the effect of a noise spike on any readings. It is a simple arithmetic averaging of 32 ADC conversions. Fewer conversions can also be configured. These conversions are taken upon the LPTMR triggering the ADC.

- The ADC's interrupts:

In the Interrupt Service Routine (ISR) for ADC0, a digital filter is placed. This very fast and simple exponential filter is included in the interrupt service routines of ADC0 to illustrate how to smooth readings with minimal MCU cycle count. It is implemented in only two lines of C code, with no looping. This filter is optional and can be used with or without the averaging feature of the ADC itself. In the example, both are used for increased smoothness of result.

- Hardware triggering of the ADC with the LPTMR:

The ADC works with the LPTMR to trigger the ADC's conversions. The ADC trigger to convert is based on configuration choices. In this case, the ADC will be configured to be triggered only by the LPTMR. The LPTMR trigger will be fired when the current timer value equals the time compare value. It can be used either in

time count mode or pulse count, so ADC triggering can be configured either periodically or based on counting of external event. In this example, only time count mode is used.

- 16-bit resolution:

The conversion results in this example are 16 bit unsigned.

- Differential or single-ended:

Single-ended mode is illustrated in this example.

11.2 Configuration example

In this case, the ADC is configured simply to read and average single-ended inputs. The connection to the on-board potentiometer is through ADC0_SE4B, which is channel 4 for ADC0. ADC channel 4 to 7 has both A channel and B channel, and they have separate pins on the package. Which of these pins are actually connected to the ADC input channel is determined by a multiplex switch configured by ADC0_CFG2[MUXSEL]:

- When MUXSEL=0, it selects A channel
- When MUXSEL=1, it selects B channel

11.2.1 LPTMR-triggered single-ended ADC conversion

There are several steps taken in the course of the execution of this demo, involving setting up the peripherals. These steps are further detailed with code from the `adc_demo` project and explained in the sections that follow, numbered after the manner of the steps:

1. Turn on clocks to the ADC and LPTMR module using the SIM module.
2. Configure System Integration Module for ADC trigger.
3. Configure the LPTMR.
4. Determine the configuration the ADC using a structure to store the desired configuration.
5. Use the ADC driver to send the desired configuration to the ADC's.
6. Calibrate the ADCs in the configuration in which they will be used and then restore the desired configuration.
7. Enable the ADC and LPTMR interrupts in NVIC.
8. Start LPTMR counting and it will begin triggering ADC conversion periodically.
9. Handle the LPTMR and ADC0 interrupts.

The following sections have the same numbering as the corresponding step.

11.2.1.1 Turn on ADC and LPTMR clock gate

The clock gate needs to be turned on to ADC and LPTMR in SIM block before accessing any registers within them.

```
SIM_SCGC6 |= SIM_SCGC6_ADC0_MASK;
SIM_SCGC5 |= SIM_SCGC5_LPTMR_MASK;
```

11.2.1.2 Configure SIM for ADC trigger

The default setting for SIM_SOPT7 is to use TPM1_CH0 and TPM1_CH1 to trigger ADC channel A and channel B in ping-pong mode. If using LPTMR trigger, then you must choose an alternate trigger, and the pre-trigger for channel A and channel B in ADC is through ADC0PRETRGSEL. Here we use pre-trigger A.

```
SIM_SOPT7 |= (SIM_SOPT7_ADC0ALTTRGEN_MASK
              | !SIM_SOPT7_ADC0PRETRGSEL_MASK
              | SIM_SOPT7_ADC0TRGSEL(LPTMR0_TRG)) ;
```

NOTE

Do not confuse channel A and channel B of ADC module with the multiplexed channel A and channel B on ADC external pins like ADC0_SE4a and ADC0_SE4b.

11.2.1.3 Configure the LPTMR

The LPTMR input clock can be from internal reference clock, PMC 1kHz LPO clock, 32kHz RTC OSC clock, or OSCERCLK. In the demo code, 1kHz LPO clock is used to implement a 1 second period timer for ADC trigger and the LPTMR is configured to work under time count mode.

```
SIM_SOPT1 |= SIM_SOPT1_OSC32KSEL(2); // ERCLK32 is RTC OSC CLOCK
PORTC_PCR1 |= PORT_PCR_MUX(1); //select RTC_CLKIN function
LPTMR0_PSR = (LPTMR_PSR_PRESCALE(0) // 0000 is div 2
              | LPTMR_PSR_PBYP_MASK
              | LPTMR_PSR_PCS(clock_source)) ;
LPTMR0_CMR = LPTMR_CMR_COMPARE(count); //Set compare value
LPTMR0_CSR = (LPTMR_CSR_TCF_MASK // Clear any pending interrupt
              | LPTMR_CSR_TIE_MASK // LPT interrupt enabled
              | LPTMR_CSR_TPS(0) //TMR pin select
              | !LPTMR_CSR_TPP_MASK //TMR Pin polarity
              | !LPTMR_CSR_TFC_MASK // Timer Free running counter is reset whenever TMR
              | counter equals compare
              | !LPTMR_CSR_TMS_MASK //LPTMR0 as Timer
              );
```

11.2.1.4 Determine the ADC configuration

Set up the initial ADC default configuration. This configuration is set into a structure where it can be reused as required prior to and after calibration for either ADC.

```
Master_Adc_Config.CONFIG1 = ADLPC_NORMAL
    | ADC_CFG1_ADIV(ADIV_4)
    | ADLSMP_LONG
    | ADC_CFG1_MODE(MODE_16)
    | ADC_CFG1_ADICLK(ADICLK_BUS);
Master_Adc_Config.CONFIG2 = MUXSEL_ADCB//select ADC0_SE4B
    | ADACKEN_DISABLED
    | ADHSC_HISPEED
    | ADC_CFG2_ADLSTS(ADLSTS_20) ;
Master_Adc_Config.COMPARE1 = 0x1234u;
Master_Adc_Config.COMPARE2 = 0x5678u;
Master_Adc_Config.STATUS2 = ADTRG_HW //Hardware trigger
    | ACFE_DISABLED
    | ACFGT_GREATER
    | ACREN_ENABLED
    | DMAEN_DISABLED
    | ADC_SC2_REFSEL(REFSEL_EXT);
Master_Adc_Config.STATUS3 = CAL_OFF
    | ADCO_SINGLE
    | AVGE_ENABLED
    | ADC_SC3_AVGS(AVGS_32);
Master_Adc_Config.STATUS1A = AIEN_OFF | DIFF_SINGLE | ADC_SC1_ADCH(31);
Master_Adc_Config.STATUS1B = AIEN_OFF | DIFF_SINGLE | ADC_SC1_ADCH(31);
```

11.2.1.5 Using the ADC driver

Configure the ADC as it will be used, but because ADC_SC1_ADCH is 31, the ADC will be inactive. Channel 31 is just a disable function. There really is no channel 31.

```
ADC_Config_Alt(ADC0_BASE_PTR, &Master_Adc_Config);
```

11.2.1.6 Calibrate the ADC

Calibrate the ADCs in the configuration in which they will be used and then restore the desired configuration:

```
ADC_Cal(ADC0_BASE_PTR); // do the calibration
```

The structure still has the desired configuration. So restore it. Why restore it? The calibration makes some adjustments to the configuration of the ADC. These are now undone:

```
//config the ADC again to desired conditions
ADC_Config_Alt(ADC0_BASE_PTR, &Master_Adc_Config);
```

11.2.1.7 Enable the LPTMR and ADC interrupt

```
enable_irq(ADC0_irq_no);  
enable_irq(LPTMR0_irq_no);
```

11.2.1.8 Start the LPTMR timer counting

```
LPTMR0_CSR |= LPTMR_CSR_TEN_MASK; //Turn on LPT and start counting
```

11.2.1.9 Handling LPTMR and ADC interrupt

Interrupt service for ADC and LPTMR is simple, read back ADC conversion result when COCO is set.

```
if(( ADC0_SC1A & ADC_SC1_COCO_MASK ) == ADC_SC1_COCO_MASK)  
{  
    result0A = ADC0_RA;    // this will clear the COCO bit that is also the interrupt flag  
    ...  
}
```

This is the exponential filter for ADC0.

```
// Begin exponential filter code for Potentiometer setting for demonstration of filter effect  
exponentially_filtered_result += result0A;  
exponentially_filtered_result /= 2;
```

Set the flag to indicate ADC conversion is done, then the main loop knows when to print ADC conversion results.

```
cycle_flags |= ADC0A_DONE ;    // mark this step done  
GPIOA_PDOR ^= (1<<5); //toggle orange LED
```

11.2.2 ADC device hardware implementation

The ADC input pins are generally configured with a small, inexpensive RC filter. The R value is typically 100 Ohms. The C value is chosen to assure adequate roll-off of frequencies above the Nyquist frequency, which is the sampling frequency divided by two.

The advantage of a high sampling rate, made possible by the Kinetis ADC LPTMR combination, is that smaller RC values may be used for the anti-aliasing filter.

11.2.3 LPTMR device hardware implementation

LPTMR can also be configured under pulse count mode and generate hardware trigger as well as the ADC. There are three external pins which can be used explicitly for pulse count:

- LPTMR_ALT1
- LPTMR_ALT2
- LPTMR_ALT3

LPTMR can also be used to count pulses on CMP0_OUT pin.

11.3 PCB design recommendations

11.3.1 Layout guidelines

11.3.1.1 General routing and placement

Use the following general routing and placement guidelines when laying out a new design. These guidelines will help to minimize signal quality problems. The ADC validation efforts focused on providing very stable voltage reference planes and ground planes.

1. Use high quality RC components for the anti-aliasing filter. Place this RC filter as close to the ADC input pins as possible where it can remove the most noise.
2. Provide very stable analog ground and voltage planes, both for analog power and voltage references if full accuracy of the ADC is required.

11.3.2 ESD/EMI considerations

The RC filter used for anti-aliasing is all that is required to enhance ESD protection. The EMI interference is also dealt with by the same inexpensive filter. Minimizing loop area for any RF ranged signals is also essential.

Chapter 12

Timer/PWM Module (TPM)

12.1 Overview

This chapter will demonstrate the features of the timer/PWM (TPM) module of Kinetis L series devices. It also presents examples of how to properly configure the module to achieve its required operational mode. One of the examples included in this chapter utilizes two different modes of TPM operation: input capture and PWM mode. Another example mentions the PWM functionality of TPM working in very low power stop mode (VLPS).

12.2 Introduction

The TPM module is a bit simplified in comparison to Kinetis K series FlexTimer module. It is built on the base of TPM module well known from Freescale 8-bit microcontrollers. It does not include many features of FlexTimer but can accomplish basic demands on applications like motor control, power conversion applications, and so on. The main advantage of this module is an extended operation supporting this module to work in low power modes.

12.3 Features

The features of TPM on all Kinetis L series devices can vary in the number of TPM modules and the channels included in each module. The TPM functionality can be summarized into three basic modes of operation:

- Input capture
- Output compare
- PWM

The timer can also operate as a free running 16-bits counter.

12.3.1 TPM clock

The TPM contains two clock elements. The bus clock is used for register interface and for interrupts and DMA requests synchronization. The counter clock is used as a base for output compare and input capture logic. Therefore, the TPM counter clock is considered as an asynchronous clock to the bus clock. The counter clock can be higher than the bus clock and can remain operational in low power modes. The following can be selected as source clocks for the counter clock:

- MCGFLLCLK
- MCGPLLCLK/2
- OSCERCLK
- MCGIRCLK, suitable for low power modes
- TPM_EXTCLK, rising edge of external clock synchronized by TPM counter clock, TPM_CLKIN0 or TPM_CLKIN1 pins can be used as clock input

The prescaler can further divide this clock up to 128 times.

12.3.2 Interrupts and DMA

Interrupt and DMA requests can be generated on timer overflow or on channel compare event. Each TPM can generate only single interrupt because all sources are logically OR'd inside the module. The source of interrupt can be recognized in the interrupt service routine by individual flags included in the compare and status registers or by their mirrors in status and control registers. The DMA requests have sources separate from TPMx overflow or TPMx CHy events.

12.3.3 Modes of operation

If no mode is selected by MSBx bits in channel status and control register, the counter is fully operational but there is no pin control. Therefore edge/level sensitivity selection by ELSx bits does not play any role.

In an input capture mode, rising, falling, or both edges can be captured. Considering some restrictions, it allows this module to measure, for example, pulse width or time period of input signal. Captured edge values can be read from TPMx_CnV. Any writes to this register are ignored in input capture mode. For some selected TPM channels, comparator output can also be used for capturing.

In an output compare mode, set, clear, or toggle of output on match can be achieved. This mode also allows the generation of positive or negative pulses on the match event. This event occurs on compare match of TPMx_CNT and TPMx_CnV.

The most useful feature of TPM module is pulse width modulation (PWM). Edge- (up counting) and center- (up-down counting) aligned PWM are available in this timer module via TPMx_SC[CPWMS]. Both modes of operation provide positive (high true) or negative (low true) PWM pulse generation. The channel pulse width is a proportional part of modulo value and is defined by TPMx_CnV. Combine mode is not available in this module.

12.3.4 Initialization of TPM

TPM does not support starting the counter from the initialization value, unlike FTM in the Kinetis K series. The initialization value of TPM is still zero. Any writes to TPMx_CNT reset this register value to zero.

12.3.5 Updating MOD and CnV

Any writes to TPMx_MOD or TPMx_CnV latch the value into an equivalent register buffer. The register is updated by its buffer value depending on clock mode selection:

- When TPM module is disabled by CMOD then MOD or CnV registers are updated immediately after they are written.
- When TPM module is enabled by CMOD and selected mode is output compare the CnV register is updated on the next counter increment immediately after CnV register was written.
- In each other cases MOD and CnV registers are updated immediately after TPM counter reach MOD value.

12.3.6 TPM period

The TPM time period is based on the period of the TPM source clock, prescaler value, modulo value, and also depends on alignment in the case of PWM mode. Therefore, the period of TPM can be calculated as:

$$\text{TPM period} = \text{TPMx}_{\text{MOD}} \times \frac{\text{prescaler value}}{\text{TPM clock source period}} \times \frac{1}{(1 + \text{TPM_SC_CPWMS})}$$

Figure 12-1. TPM period calculation

For example, when:

- The MCGFLLCLK = 48MHz is selected as a source clock for counter (SIM_SOPT2_TPMSRC = 1, SIM_SOPT2_PLLFLLSEL = 0)
- Prescaler factor is selected to divide source clock by 16 (TPM_x_SC_PS = 0x4)
- The TPM modulo value is set to 3000 (TPM_x_MOD = 0x0BB8) and edge aligned mode is selected

$$\text{TPM period} = 3000 \frac{16}{48000000} \times \frac{1}{(1+0)} = 1 \text{ ms}$$

$$\text{TPM frequency} = \frac{1}{\text{TPM period}} = \frac{1}{0.001} = 1 \text{ kHz}$$

Figure 12-2. TPM period calculation example

12.3.7 TPM triggers

TPM can be triggered by some peripherals. The input trigger is used for starting counter or for reloading the counter. Each TPM module has a selectable input trigger source. The following can be used as the input trigger:

- Pin input (EXTRG_IN)
- PIT_x
- TPM_x
- RTC alarm, seconds
- LPTMR

12.3.8 Additional features

The global time base feature can be used for the synchronization of all modules. In this case, all modules use the same time base. Only one TPM module is used as global time, as detailed in the device reference manual.

TPM can remain functional even in debug mode. The behavior of TPM in debug mode can be configured by TPM_x_CONF[DBGMODE]. Two different possibilities are available:

- The first stops counter incrementing in debug mode. During this stop, all trigger inputs and input capture events are ignored.. Channel outputs remain in the states as they had been before entering debug mode in the case of output compare and PWM mode.
- The second possibility allows TPM to continue counting while entering debug mode. In this case, triggers and inputs/outputs remain fully functional.

TPM can also remain functional in wait mode. The behavior of TPM during wait mode can be configured by `TPMx_CONF[DOZEEN]`. The behavior of TPM during wait mode can be configured similarly as in debug mode.

12.4 Configuration examples

Two basic examples of TPM configuration will be demonstrated in this section. The first example uses edge-aligned PWM and input capture features of TPM working in normal run mode. The second example shows the functionality of TPM working in very low power stop mode.

NOTE

In these examples, TWR-KL25Z48M with PKL25Z128VLK4 has been used. Optionally, TWR-PROTO, TWR-ELEV, and TWR-SER can be used.

12.4.1 Example 1 – Edge Aligned PWM and Input Capture Mode

This example demonstrates the basic features of TPM, such as input capture and edge-aligned PWM mode. In this case, TPM0 is configured to work in edge-aligned PWM mode. This module uses two channels: channel 1 and channel 2.

Channel 1 is configured to generate positive PWM pulses. Channel 2 is configured to generate negative PWM pulses (inverse PWM). Module TPM1 is configured to work in input capture mode. Channel 0 is configured to capture rising edges and in contrast channel 1 is configured to capture falling edges. The purpose of this configuration is to be able to measure, for example, the pulse width of the pulses generated by TPM0. This can be achieved by interconnecting channel 1 of TPM0 and both channels of TPM1, as shown in the following figure.

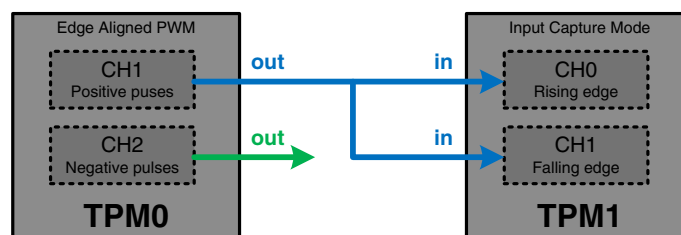


Figure 12-3. Interconnection of TPM modules in example 1

Before configuring both TPM modules, SIM must configure all required clock options. In this example, `MCGFLLCLK` is used as a source clock for TPM. Therefore, it is necessary to clear `PLLFLSEL` and set `SIM_SOPT2[TPMSRC]` to 1. Next, the clocks for the ports

Configuration examples

whose pins will be used must also be enabled. In this example, pin PTC2 and PTC3 are used as channel outputs of TPM0, and PTA12 and PTA13 are used as channel inputs of TPM1. Therefore, clocks for PORTA and PORTC must be enabled. In the end, the clock gates must be enabled for both TPM modules used. Follow the next few lines of code with required SIM module configuration.

```
SIM_SOPT2 |= SIM_SOPT2_TPMSRC(1);
SIM_SOPT2 &= ~SIM_SOPT2_PLLFLLSEL_MASK;
SIM_SCGC5 |= SIM_SCGC5_PORTA_MASK | SIM_SCGC5_PORTC_MASK;
SIM_SCGC6 |= SIM_SCGC6_TPM0_MASK | SIM_SCGC6_TPM1_MASK;
```

NOTE

If any additional clock settings are required in your application, they must also be implemented in SIM configuration.

After SIM initialization, required port pins must be configured according to their use. It is necessary to clear only interrupt status flag, select an alternative pin for TPM channel, and for outputs you can enable drive strength.

```
PORTA_PCR12 = PORT_PCR_ISF_MASK | PORT_PCR_MUX(0x3);
PORTA_PCR13 = PORT_PCR_ISF_MASK | PORT_PCR_MUX(0x3);
PORTC_PCR2 = PORT_PCR_ISF_MASK | PORT_PCR_MUX(0x4) | PORT_PCR_DSE_MASK;
PORTC_PCR3 = PORT_PCR_ISF_MASK | PORT_PCR_MUX(0x4) | PORT_PCR_DSE_MASK;
```

The next step is the configuration of TPM modules. TPM0 configuration is demonstrated first. In this module, timer overflow interrupt will be enabled. Therefore, NVIC must be set before module interrupt is enabled.

```
enable_irq(17); set_irq_priority(17, 3);
```

You can also redefine interrupt vector to your interrupt service routine. This must be done in a different module, such as isr.h.

```
extern void tpm0_isr(void);

#undef VECTOR_033
#define VECTOR_033 tpm0_isr
```

Then TPM0 module can be initialized. TPM0_CONF should stay in its default state. For best performance, initialize the counter, that is, write to TPM0_CNT, before writing to the modulo register. Modulo value MOD is set to 4800 to generate a PWM signal with 10kHz, assuming that MCGFLLOUT is set to 48MHz. Then TPM0_SC will enable timer overflow interrupt, set edge-aligned (up counting) mode, select clock mode to allow the counter to increment on every clock, and set the prescaler divider to 1.

```
TPM0_CNT = 0;
TPM0_MOD = 0x12C0;
TPM0_SC = TPM_SC_TOIE_MASK | TPM_SC_CMOD(1);
```


Channels configuration must be done after general TPM0 module configuration. Channel 1 of TPM0 is configured as edge-aligned PWM with high-true pulses (positive PWM pulses). Channel 2 is configured as edge-aligned PWM with low-true pulses (negative pulses). Channel interrupt is disabled. Channels value must also be initialized.

```
TPM0_C1SC = TPM_CnSC_MSB_MASK | TPM_CnSC_ELSB_MASK;
TPM0_C1V = 0x00;
TPM0_C2SC = TPM_CnSC_MSB_MASK | TPM_CnSC_ELSA_MASK;
TPM0_C2V = 0x00;
```

NOTE

Both channels of TPM are configured in inverse PWM to demonstrate how one leg of the three phase converter used in motor control application can be configured. Also note that dead time control is not available in the Kinetis L series TPM module.

This module generates interrupt on timer overflow. It is convenient to clear the corresponding flag in interrupt service routine. Value register is also set.

```
void tpm0_isr(void)
{
    TPM0_SC |= TPM_SC_TOF_MASK;
    TPM0_C1V = (uint16)u16PWMDuty;
    TPM0_C2V = (uint16)u16PWMDuty;
}
```

NOTE

Setting the compare value in timer overflow interrupt service routine of the same TPM module is not a best practice. CnV registers are updated by their buffer value immediately after timer overflow. Therefore, one period of TPM can be lost in such a case. Instead, set compare value immediately before timer overflow.

After TPM0 initialization, TPM1 should be initialized. As mentioned previously, this module is configured to work in input capture mode. This module is also configured to generate interrupt on timer overflow. It is then required to enable vector interrupt for this module and set priority as in previous TPM configuration.

```
enable_irq(18); set_irq_priority(18, 1);
```

In isr.h, redefine interrupt vector.

```
extern void tpm1_isr(void);
#undef VECTOR_034
#define VECTOR_034 tpm1_isr
```

Because pulse width measurement uses TPM1, it is desirable to trigger start of TPM1 counting by TPM0 overflow. Therefore, TPM0_CONF sets input trigger to TPM0 overflow and enables counter start on trigger. For more information, see Figure 13-2.

Configuration examples

Counter is set to stop on overflow and input trigger provides its restart. The rest of the configuration is similar to TPM0, except modulo value, which can be set higher. In this example, it was set to 11200, assuming TPM1 period is 4285Hz.

```
TPM1_CONF = TPM_CONF_TRGSEL(8) | TPM_CONF_CSOO_MASK | TPM_CONF_CSOT_MASK;  
TPM1_CNT = 0;  
TPM1_MOD = 0x2BC0;  
TPM1_SC = TPM_SC_TOIE_MASK | TPM_SC_CMOD(1);
```

Channels of TPM1 are configured to input capture mode. Channel 0 is configured to capture rising edges and channel 1 is configured to capture falling edges. There is no interrupt on the generated channel event.

```
TPM1_C0SC = TPM_CnSC_ELSA_MASK;  
TPM1_C0V = 0x00;  
TPM1_C1SC = TPM_CnSC_ELSB_MASK;  
TPM1_C1V = 0x00;
```

TPM1 also generates interrupt on time overflow. In the interrupt service routine, the timer overflow flag is cleared and pulse width is calculated from the rising and falling edges values of channels. Channel flags must also be cleared in to be able to capture edges in the next TPM1 period.

```
void tpml_isr(void)  
{  
    TPM1_SC |= TPM_SC_TOF_MASK;  
    i16PulseWidth = (int16)TPM1_C1V;  
    i16PulseWidth -= (int16)TPM1_C0V;  
    TPM1_C0SC |= TPM_CnSC_CHF_MASK;  
    TPM1_C1SC |= TPM_CnSC_CHF_MASK;  
}
```

NOTE

When a different input signal will supply TPM1 inputs, then it is recommended to increase modulo value to 65535 to reach the highest possible resolution of pulse width measurement. Also note that if the result of pulse width is negative, it should not be taken into account. In this case, rising edge (TPM1_C0V) was captured two periods before and falling edge (TPM1_C1V) was captured only in the previous period. Therefore, the result is incorrect.

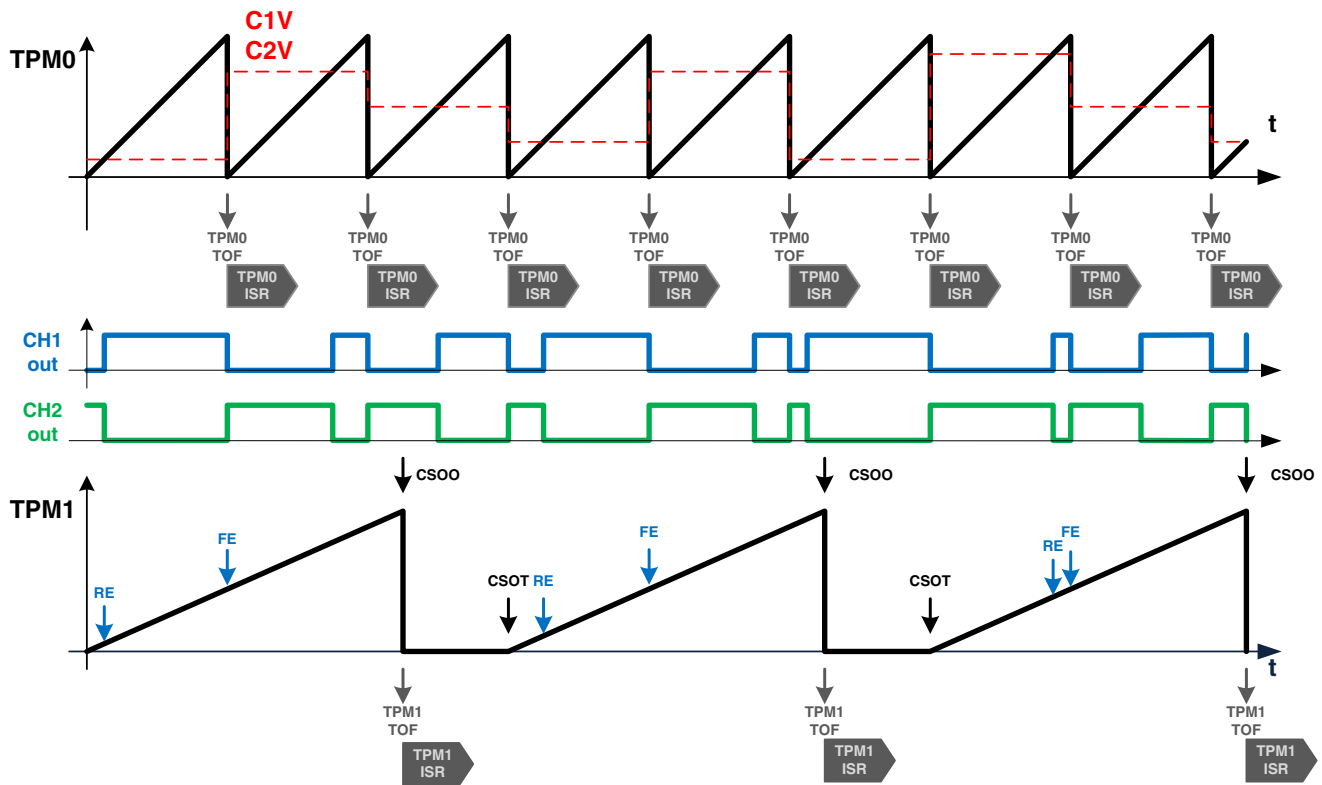


Figure 12-4. Functional description of example 1 (RE – rising edge, FE – falling edge, CSOO – counter stop on overflow, CSOT – counter start on trigger)

12.4.2 Example 2 – TPM functionality in low power stop mode

This example demonstrates TPM functionality in low power mode. In this example, TPM is configured to work in center-aligned PWM mode and is clocked by fast IRC using MCGIRCLK output. Different signal waveforms can be generated using PWM functionality during VPLS mode:

- Sinusoidal
- Saw-tooth
- Square

DMA module is used to enable change of duty cycle in each new PWM period during running in VLPS mode. DMA allows the transfer of pulse width data stored in SRAM data buffer into channel compare value CnV after each DMA request. DMA request is generated on timer overflow, no interrupt is generated. The external interrupt or interrupt on DMA transfer complete is used to wake up from VLPS mode.

Configuration examples

SIM configuration must be done before TPM and DMA configuration. As mentioned previously, the fast IRC using MCGIRCLK output is used as a source clock for TPM. PORTA and PORTC will have enabled clock gates using PTC3 (TPM0 CH2 output for PWM signal generation) and pin PTA4 (SW2 on TWR- KL25Z48M) as a wake up source. Then TPM0, as well as DMAMUX and DMA, will have enabled clock gates.

```
SIM_SOPT1    = 01;
SIM_SOPT1CFG= 01;
SIM_SOPT2    = SIM_SOPT2_TPMSRC(3);
SIM_SOPT4    = 01;
SIM_SOPT5    = 01;
SIM_SOPT7    = 01;
SIM_SCGC4    = 01;
SIM_SCGC5    = SIM_SCGC5_PORTA_MASK| SIM_SCGC5_PORTC_MASK;
SIM_SCGC6    = SIM_SCGC6_TPM0_MASK| SIM_SCGC6_DMAMUX_MASK|SIM_SCGC6_FTF_MASK;
SIM_SCGC7    = SIM_SCGC7_DMA_MASK;
```

NOTE

For maximum reduction of power consumption, disable all clock gates of unused modules before entering VLPS mode.

Using fast IRC (~4Mhz) as clock source for TPM0, MCGIRCLK output must also be enabled and fast IRC properly initialized. To get ~4MHz frequency on the MCGIRCLK output, fast IRC must properly be trimmed.

```
MCG_C1 | = MCG_C1_IRCLKEN_MASK| MCG_C1_IREFSTEN_MASK;
MCG_SC | = MCG_SC_FCRDIV(0);
MCG_C4 | = MCG_C4_FCTRIM(0xA);
MCG_C2 | = MCG_C2_IRCS_MASK;
while (!(MCG_S & MCG_S_IRCST_MASK));
```

After this step, PORT's pins can be configured according to their use. It is necessary to configure interrupt for PTA4 (SW2 on TWR), which is used as a wake up source for VLPS mode. Any enabled pin interrupt is capable of waking the system provided by AWIC because NVIC is disabled in VLPS mode. The next configuration of PTA4 must follow typical button configuration (pull-up, passive filter). The PWM output pin is configured as pins in previous example.

```
enable_irq(30); set_irq_priority(30, 1);
PORTA_PCR4 = PORT_PCR_ISF_MASK |PORT_PCR_MUX(0x1) | PORT_PCR_PS_MASK| PORT_PCR_PE_MASK|\
PORT_PCR_PFE_MASK| PORT_PCR_IRQC(9);
PORTC_PCR3 = PORT_PCR_ISF_MASK |PORT_PCR_MUX(0x4) | PORT_PCR_DSE_MASK;
```

The interrupt vector redefinition must be done in a different module (isr.h).

```
extern void porta_isr(void);

#undef VECTOR_046
#define VECTOR_046 porta_isr
```

In PORTA interrupt service routine, only the appropriate flag must be cleared. Buffer selection variable is decreased to allow the change of data buffer values upon next entering VLPS mode. This will be explained later in more detail.

```
void porta_isr(void)
{
    register uint32 temp32 = PORTA_ISFR;
    PORTA_ISFR |= temp32;
    u8BuffSelect--;
}
```

The next step after PORT initialization is TPM0 configuration. TPM0 is configured according to center-aligned PWM mode. TPM0_CONF can remain in the default state. To avoid wake up from VLPS, do not enable any interrupts, channel or overflow, in TPM0. DMA transfer on overflow is enabled. This will produce the DMA request, which will ensure filling of TPM0_C2V by the desired value stored in SRAM data buffer on each TPM0 overflow. There is one TPM period delay according to register update principle. The MOD value of TPM0 is set to 2000. This value represents 1Hz PWM frequency in center-aligned PWM mode and ~4MHz clock from fast IRC.

```
TPM0_CNT = 0;
TPM0_MOD = 0x0FA0;
TPM0_SC = TPM_SC_DMA_MASK | TPM_SC_CPWMS_MASK | TPM_SC_CMOD(1);
```

The output channel CH2 of TPM0 is configured to center-aligned PWM mode with high-true (positive) pulses. The TPM0_C2V can be initialized to zero. There is no need to enable DMA and interrupt event for this channel.

```
TPM0_C2SC = TPM_CnSC_MSB_MASK | TPM_CnSC_ELSB_MASK;
TPM0_C2V = 0x00;
```

DMA should be initialized after TPM0 initialization. DMA on Kinetis L series is pretty simple when compared to DMA in the Kinetis K series. Therefore, the configuration of DMA is simple and quick. First, DMA multiplexer is configured. Only one channel of DMA is used, DMA0. DMA channel source is set to TPM0 overflow. It is best to disable DMA channel before its configuration (reconfiguration).

```
DMAMUX0_CHCFG0 = DMAMUX_CHCFG_SOURCE(54);
```

DMA channel is configured to transfer 16-bit data from source address (data buffer placed in SRAM location) to destination address (TPM0_C2V) on each DMA request (TPM0 overflow). After each DMA transfer, the source address is incremented by word size. The destination address is not incremented and remains TPM0_C2V. The number of increments is given by circular buffer size, which is set to 128 bytes. This means that data buffer contains 64 words; 64 x 16-bit data of pulse widths. Transfer complete interrupt is enabled. This interrupt is generated when DONE flag is set. DONE flag is set when DMA_DSR_BCR is decremented to zero. This register is set to 64000. This is equal to 32000 transfers. It should represent 32 s assuming 1 ms between each DMA transfer, TPM0 overflow period. After 32 s DMA transfer is complete, interrupt wakes up from VLPS. Generating rising edge on PTA4 by pressing SW2 in TWR can wake it up earlier.

```
enable_irq(0); set_irq_priority(0, 2);
DMA_SAR0 = (uint32) &aui6PwmDuties;
DMA_DAR0 = (uint32) &TPM0_C2V;
DMA_DCR0 = DMA_DCR_EINT_MASK | DMA_DCR_ERQ_MASK | DMA_DCR_CS_MASK | DMA_DCR_EADREQ_MASK | \
```

Configuration examples

```
DMA_DCR_SINC_MASK|DMA_DCR_SSIZE(2) | DMA_DCR_DSIZE(2) | DMA_DCR_SMOD(4);  
DMA_DSR_BCR0 = DMA_DSR_BCR_BCR(64000);
```

The interrupt vector redefinition must be done in different a module, isr.h.

```
extern void dma0_isr(void);  
  
#undef VECTOR_016  
#define VECTOR_016 dma0_isr
```

DMA interrupt service routine first clears flags by writing to DONE bit and then sets DMA_DSR_BCR again. The buffer selection variable is decreased to allow change of data buffer values when next entering VLPS mode. This will be explained later in more detail.

```
void dma0_isr(void)  
{  
    DMA_DSR_BCR0 |= DMA_DSR_BCR_DONE_MASK;  
    DMA_DSR_BCR0 |= DMA_DSR_BCR_BCR(64000);  
    u8BuffSelect--;  
}
```

To be able to enter VLPS mode power mode, protection register must allow VLPx modes.

```
SMC_PMPROT = SMC_PMPROT_AVLP_MASK;
```

Before entering into main while loop it is recommended to enable all interrupts by:

```
asm(" CPSIE i");
```

In a main loop before entering VLPS mode:

- TPM0 compare value is set to zero
- DMA channel is disabled
- Data buffer (au16PwmDuties []) is filled by appropriate values from different waveforms buffer constants:
 - Sinus
 - Saw-tooth
 - Square

Then DMA is enabled and VLPS mode is entered. Upon each wake up from VLPS mode, external interrupt caused by PTA4 or DMA transfer complete interrupt, different values are filled into the data buffer. Afterwards, the MCU enters VLPS mode again. The current consumption will range between 80-150 uA depending on PWM signal waveform generation.

```
while (1)  
{  
    TPM0_C2V = 0;  
    DMAMUX0_CHCFG0 &= ~DMAMUX_CHCFG_ENBL_MASK;  
    if (!u8BuffSelect)  
    {  
        u8BuffSelect = 3;  
    }  
}
```

```

switch(u8BuffSelect)
{
    case 1: p_aul6PwmDuties = (uint16*)aul6PwmBuffSin; break;
    case 2: p_aul6PwmDuties = (uint16*)aul6PwmBuffTrg; break;
    case 3: p_aul6PwmDuties = (uint16*)aul6PwmBuffSqr; break;
    default: break;
}
for (i = 0; i < 64; i++)
{
    aul6PwmDuties[i] = p_aul6PwmDuties[i]>>1;
}
DMAMUX0_CHCFG0 |= DMAMUX_CHCFG_ENBL_MASK;
SMC_PMCTRL |= SMC_PMCTRL_STOPM(2);
SCB_SCR |= SCB_SCR_SLEEPDEEP_MASK;
asm("WFI");
}

```

Here are particular data buffer definitions. While filling the data buffer each of these values is divided by 2 considering MOD value setting.

```

const uint16 aul6PwmBuffSin[64] =
{ 2000, 2199, 2396, 2589, 2776, 2956, 3126, 3285, 3431, 3563, 3680, 3779, 3861,\
  3925, 3969, 3990, 3990, 3990, 3949, 3895, 3823, 3732, 3623, 3499, 3360, 3207,\
  3042, 2867, 2684, 2493, 2298, 2099, 1900, 1701, 1506, 1315, 1132, 957, 792, \
  639, 500, 376, 267, 176, 104, 50, 15, 15, 15, 30, 74, 138, 220, 319, 436, \
  568, 714, 873, 1043, 1223, 1410, 1603, 1800, 2000};

const uint16 aul6PwmBuffTrg[64] =
{ 0, 133, 266, 399, 533, 667, 800, 933, 1066, 1200, 1333, 1466, 1600, 1733, \
  1866, 2000, 2133, 2266, 2400, 2533, 2667, 2800, 2933, 3067, 3200, 3333, \
  3466, 3600, 3733, 3867, 4000, 0, 133, 266, 399, 533, 667, 800, 933, 1066, \
  1200, 1333, 1466, 1600, 1733, 1866, 2000, 2133, 2266, 2400, 2533, 2667, \
  2800, 2933, 3067, 3200, 3333, 3466, 3600, 3733, 3867, 4000};

const uint16 aul6PwmBuffSqr[64] =
{ 4000, 4000, 4000, 4000, 4000, 4000, 4000, 4000, 4000, 4000, 4000, 4000, \
  4000, 4000, 4000, 4000, 4000, 4000, 4000, 4000, 4000, 4000, 4000, 4000, \
  4000, 4000, 4000, 4000, 4000, 4000, 0, 0, 0, 0, 0, 0, 0, 0, 0, 0, 0, \
  0, 0, 0, 0, 0, 0, 0, 0, 0, 0, 0, 0, 0, 0, 0, 0, 0, 0, 0, 0};

```

Detailed description of TPM0 and DMA operation during VLPS mode is shown in the following figures.

Configuration examples

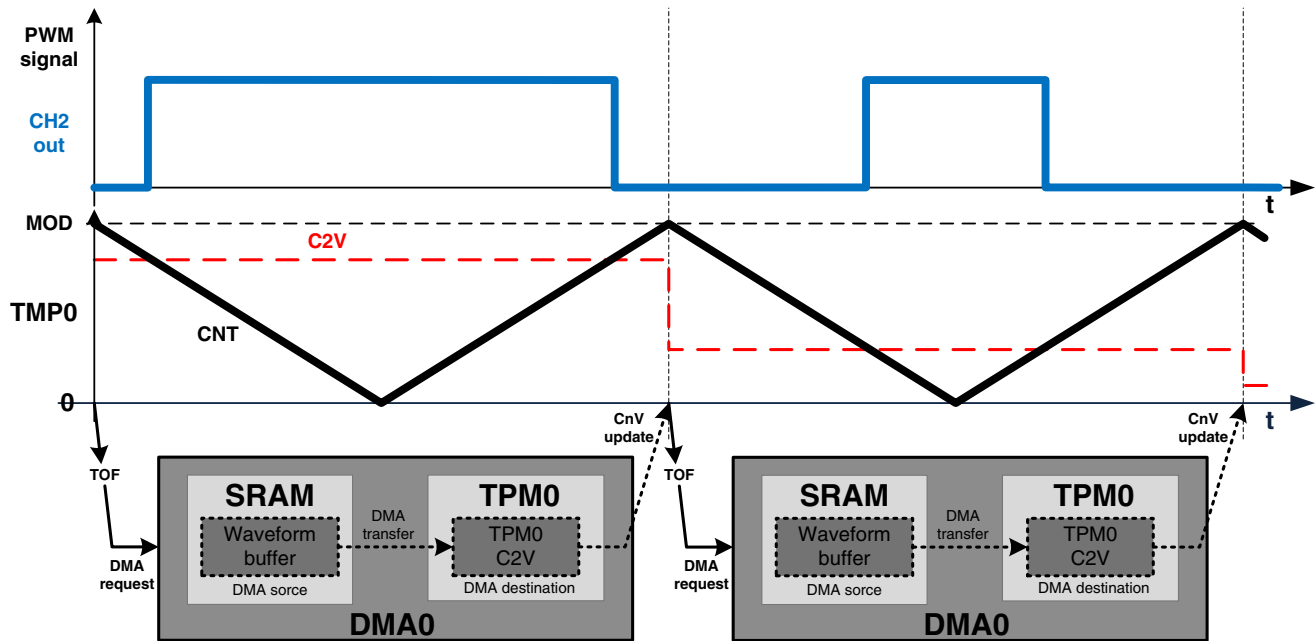


Figure 12-5. Functional description of TPM0 and DMA modules operation running in VLPS mode, example 2

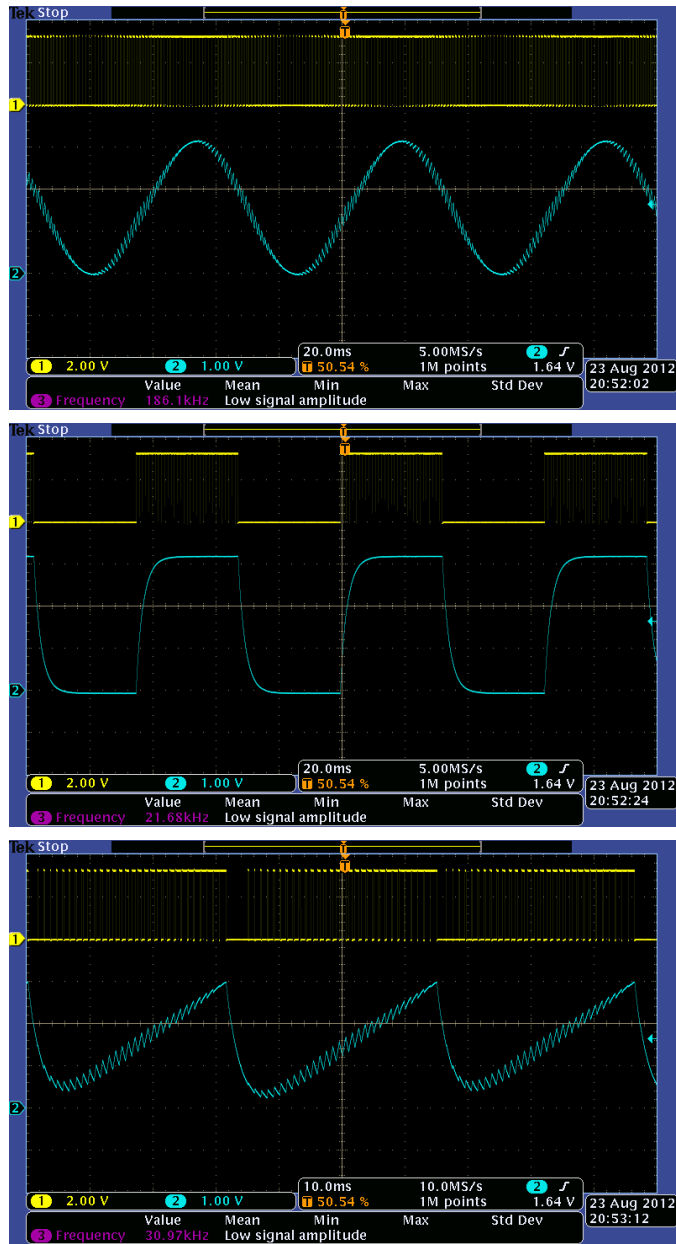


Figure 12-6. Waveforms of PWM output signals for particular data buffer (yellow – PWM output, blue – PWM output filter by RC filter)

Appendix A

How to Load QRUG Examples

A.1 Overview

This chapter describes how to load and run the sample code described in other sections of the Kinetis L series Quick Reference User Guide. It describes the procedures used to ensure your Tower system or Freedom board is connected properly, and explains how to load the example projects.

A.2 Software configuration

For compile, flash downloading, and debug functionality, you will need to install IAR EWARM V6.40.3 or later, as well as any patches and updates available at www.iar.com/en/Service-Center/Downloads/. It supports Open SDA, which is firmware located on your L series tower and Freedom boards that enables you to flash and debug code with only a mini-B USB cable.

The projects you will be working with can be found on the Freescale website: www.freescale.com/files/32bit/software/KL25_SC.exe

This will install the project for downloading to the Kinetis L series Tower or Freedom boards using the OPEN SDA interface.

A.3 Hardware configuration

The examples can be run with the Kinetis L series microcontroller module in stand-alone mode. Alternatively, you can put together your Tower kit for examples using serial channel interface without using the Open SDA serial channel.

Connect a USB cable to the mini-USB port on the Kinetis L Series board. This will be:

- J22 on TWR-KL25Z

Terminal configuration

- J2 on TWR-KL05Z or the mini-USB port
- J7 on the Freedom KL25Z board

When you plug in the USB cable to your board, you should see some LEDs on the board turn on.

A.4 Terminal configuration

The OPEN SDA feature on the Kinetis L series Tower board will create a serial port that communicates to your computer over the USB cable, which was connected in the previous section. This virtual serial port is connected to UART0 on the TWR-KL25Z.

To configure the terminal:

1. Open your computers device manager and look in the COM Ports and read what COM port number is assigned to the OPEN SDA port.
2. Open the Terminal Utility.
3. Configure the terminal client to use indicated COM port, 19200 baud, 8 data bits, 1 stop bit, and no parity.
4. Then open the Serial Port to start the connection.

A.5 Download sample code

To download sample code:

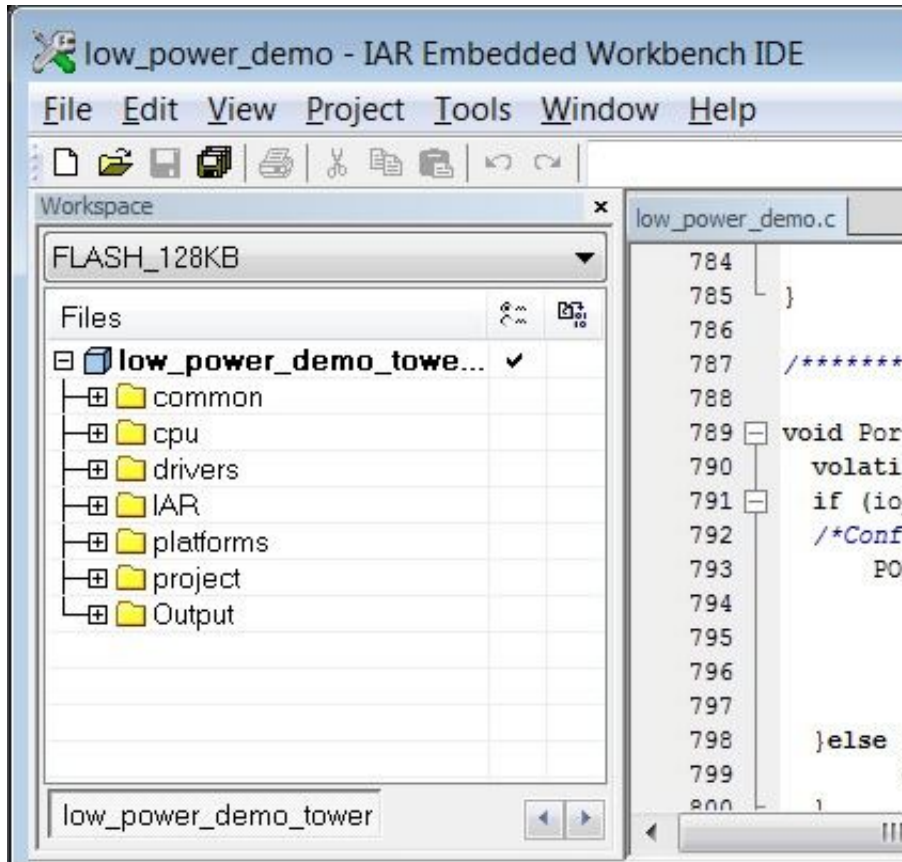
1. Save locally the latest sample code for your Tower module from:
 - http://www.freescale.com/files/32bit/software/KL25_SC.exe
2. Run the install and save into any directory.
3. Go to KL25_SC\build\iar\ to see all of the different projects available.
4. The next section describes running the basic low power demo example, but the same instructions can also be used with other projects.

A.6 Running the "low_power_demo" project

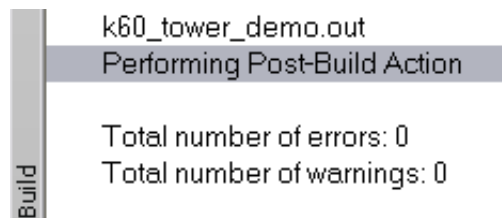
To run this project:

1. Open IAR and go to File -> Open -> Workspace in the menu bar.
2. Open the low_power_demo.eww workspace at KL25_SC\build\iar\low_power_demo\..\

3. The workspace that opens up contains a “low_power_demo” project for the TWR-KL25Z.
4. There are two flash combinations available in the demo which this project supports. It is too large for the 32K flash target. Because this project is entering and exiting all of the low power modes, it cannot be loaded into RAM, therefore no RAM targets are present.
- 5.

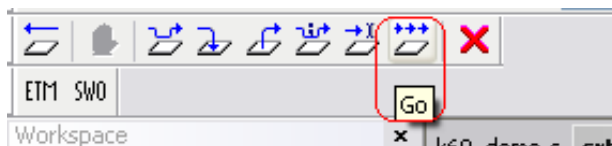


6. The selected project will appear in bold font.
7. To ensure a fresh start, clean the project by right-clicking on the project name and selecting Clean.
8. Compile the project by clicking the Make icon, or right-click on the project and select Make.
9. In the build dialog box at the bottom, you will see any errors or warnings. If the compilation was successful and there are no errors, you will see something like the image below. There may be some warnings depending on the code:



Running the "low_power_demo" project

- Download the code to the board and start the debugger by pressing the Download and Debug button.
- The code will download into flash. The debugger screen will appear and pause at the first instruction. Click the Go button to start running.




- After you have selected Go, the software will print out some basic chip information, and then write the low power demo menu to the terminal, something like the menu below. Afterwards, selecting an entry will execute the corresponding test.

```
Power-on Reset
Low-voltage Detect Reset
KL2580pin      100pin
Low Power Line with Cortex M0+

SRAM Size:  16 KB
Silicon rev 15
Flash parameter version 0.0.8.0
Flash version ID 6.0.1.0
Flash size: 128 KB program flash, 4 KB protection region
LLWU configured pins PTC3 is LLWU wakeup source
LLWU configured modules as LLWU wakeup sources = 0x01,
*-----D E B U G   D I S A B L E D-----*
*-----Press SW4 then press Reset to re-enable debug-----*
*-----*
*                               KL Low Power DEMO                               *
*                               Sep 14 2012 11:44:03                             *
*-----*
  in Run Mode !    in PEE mode now at 48000000 Hz

Select the desired operation
0 for CASE 0: Enter VLLS0 with POR disabled  NO POR
1 for CASE 1: Enter VLLS0 with POR enabled  with POR
2 for CASE 2: Enter VLLS1
3 for CASE 3: Enter LLS with LPTMR 1 second wakeup loop
4 for CASE 4: Enter VLLS3 (Very Low Leakage STOP 3)
5 for CASE 5: Enter LLS(Low Leakage Stop)
6 for CASE 6: Enter VLPS(Very Low Power Stop)
7 for CASE 7: Enter VLPR(Very Low Power RUN) in BLPE
8 for CASE 8: Exit VLPR(Very Low Power RUN)
9 for CASE 9: Enter VLPW(Very Low Power WAIT)
A for CASE 10: Enter WAIT from RUN or VLPW from VLPR
B for CASE 11: Enter Normal STOP from RUN or VLPS from VLPR
C for CASE 12: Enter PARTIAL STOP 1
D for CASE 13: Enter PARTIAL STOP 2
E for CASE 14: Running coremark 2 x in RUN CPO not CPO
F for CASE 15: Running coremark 2 x in VLPR with CPO not CPO
G for CASE 16: Enable LPTMR to wakeup every 5 seconds
H for CASE 17: Disable LPTMR wakeup
I for CASE 18: Enter VLPR in BLPI at Core Frequency of 4 MHz
J for CASE 19: Enter VLPR in BLPI at Core Frequency of 2 MHz
K for CASE 20: Enter Compute Mode
L for CASE 21: To enable DEBUG
>
```

- 
13. For more information about each of the selections in this demo, please refer to the readme Low Power Demo Project ReadMe.pdf at KL25_SC\build\iar\low_power_demo\.
 14. The debugging session can be continued only if you choose option "L" from the low power demo menu to re-enable the DEBUG pins. The project disables debug by default to reach the low power currents that the MCU is capable of.
 15. Measure the IDD of the MCU across the J7 jumper on the TWR-KL25Z board.



How to Reach Us:

Home Page:

www.freescale.com

Web Support:

<http://www.freescale.com/support>

USA/Europe or Locations Not Listed:

Freescale Semiconductor
Technical Information Center, EL516
2100 East Elliot Road
Tempe, Arizona 85284
+1-800-521-6274 or +1-480-768-2130
www.freescale.com/support

Europe, Middle East, and Africa:

Freescale Halbleiter Deutschland GmbH
Technical Information Center
Schatzbogen 7
81829 Muenchen, Germany
+44 1296 380 456 (English)
+46 8 52200080 (English)
+49 89 92103 559 (German)
+33 1 69 35 48 48 (French)
www.freescale.com/support

Japan:

Freescale Semiconductor Japan Ltd.
Headquarters
ARCO Tower 15F
1-8-1, Shimo-Meguro, Meguro-ku,
Tokyo 153-0064
Japan
0120 191014 or +81 3 5437 9125
support.japan@freescale.com

Asia/Pacific:

Freescale Semiconductor China Ltd.
Exchange Building 23F
No. 118 Jianguo Road
Chaoyang District
Beijing 100022
China
+86 10 5879 8000
support.asia@freescale.com

Information in this document is provided solely to enable system and software implementers to use Freescale Semiconductors products. There are no express or implied copyright licenses granted hereunder to design or fabricate any integrated circuits or integrated circuits based on the information in this document.

Freescale Semiconductor reserves the right to make changes without further notice to any products herein. Freescale Semiconductor makes no warranty, representation, or guarantee regarding the suitability of its products for any particular purpose, nor does Freescale Semiconductor assume any liability arising out of the application or use of any product or circuit, and specifically disclaims any liability, including without limitation consequential or incidental damages. "Typical" parameters that may be provided in Freescale Semiconductor data sheets and/or specifications can and do vary in different applications and actual performance may vary over time. All operating parameters, including "Typicals", must be validated for each customer application by customer's technical experts. Freescale Semiconductor does not convey any license under its patent rights nor the rights of others. Freescale Semiconductor products are not designed, intended, or authorized for use as components in systems intended for surgical implant into the body, or other applications intended to support or sustain life, or for any other application in which failure of the Freescale Semiconductor product could create a situation where personal injury or death may occur. Should Buyer purchase or use Freescale Semiconductor products for any such unintended or unauthorized application, Buyer shall indemnify Freescale Semiconductor and its officers, employees, subsidiaries, affiliates, and distributors harmless against all claims, costs, damages, and expenses, and reasonable attorney fees arising out of, directly or indirectly, any claim of personal injury or death associated with such unintended or unauthorized use, even if such claims alleges that Freescale Semiconductor was negligent regarding the design or manufacture of the part.

RoHS-compliant and/or Pb-free versions of Freescale products have the functionality and electrical characteristics as their non-RoHS-complaint and/or non-Pb-free counterparts. For further information, see <http://www.freescale.com> or contact your Freescale sales representative.

For information on Freescale's Environmental Products program, go to <http://www.freescale.com/epp>.

Freescale™ and the Freescale logo are trademarks of Freescale Semiconductor, Inc. All other product or service names are the property of their respective owners.

© 2012 Freescale Semiconductor, Inc.