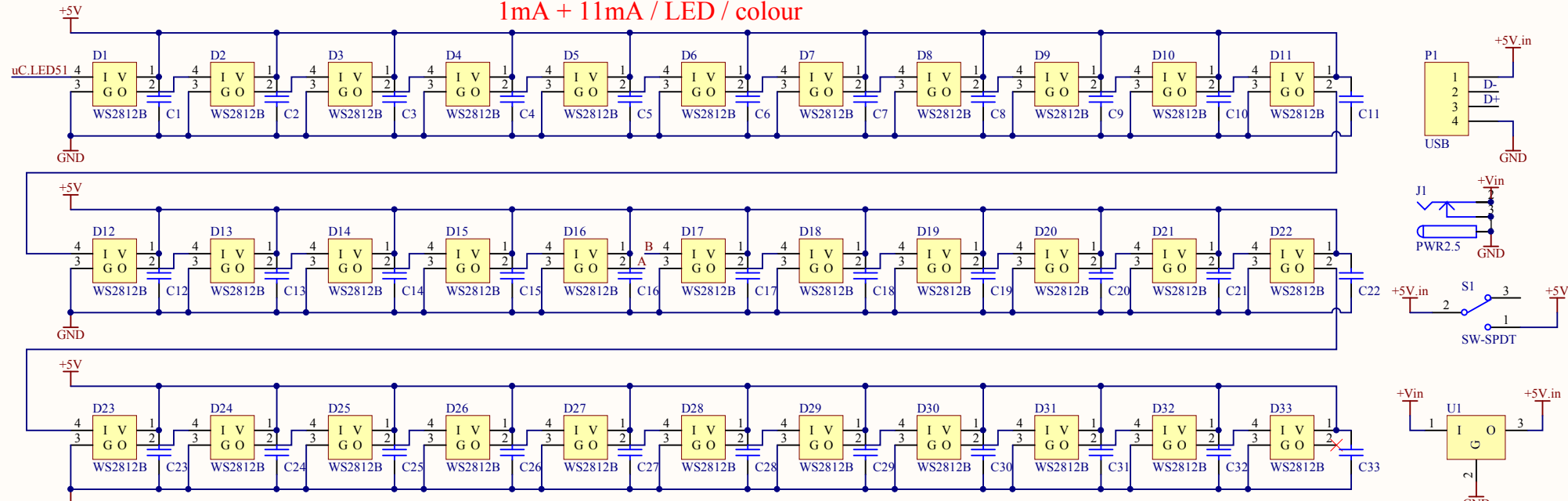
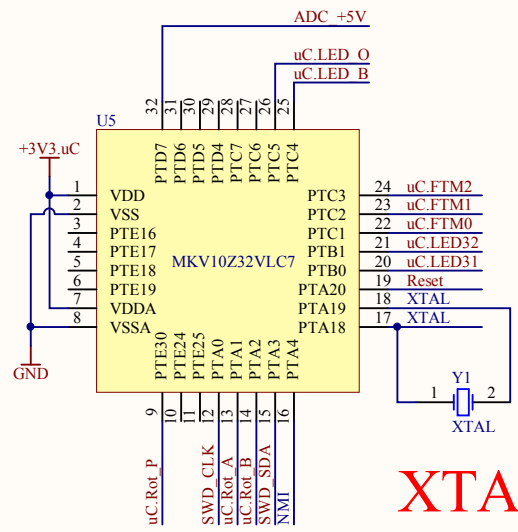
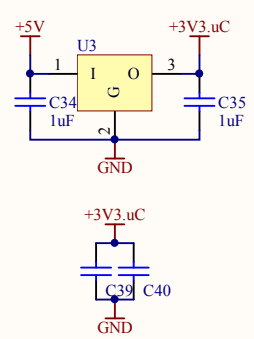
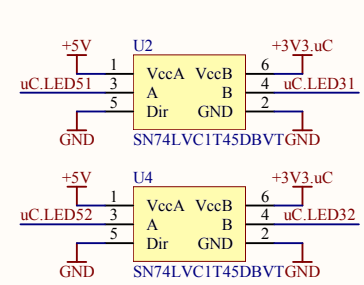
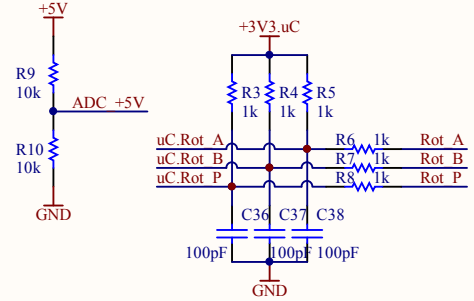
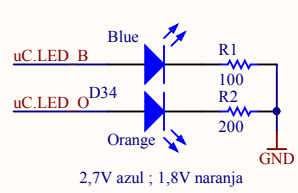


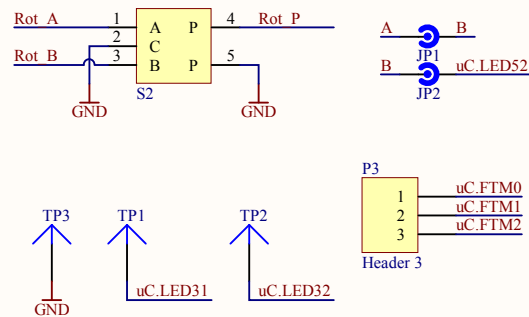
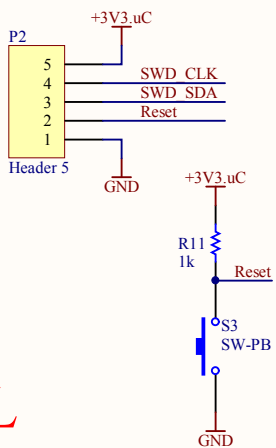
1mA + 11mA / LED / colour



MONITOR CURRENT?



XTAL



- 100nF 1206
- 1uF 0805
- 1k 1206
- 10k 0805

<https://www.nxp.com/docs/en/reference-manual/KV10P48M75RM.pdf>

REGULADOR LINEAL 3V33 KA78RH33RTF ANADIR K20 USB OPENSDA MHDR2X5

Title		
Size A4	Number	Revision
Date: 29/05/2018	Sheet of	
File: E:\Users\...\LessThan3.SchDoc	Drawn By:	