
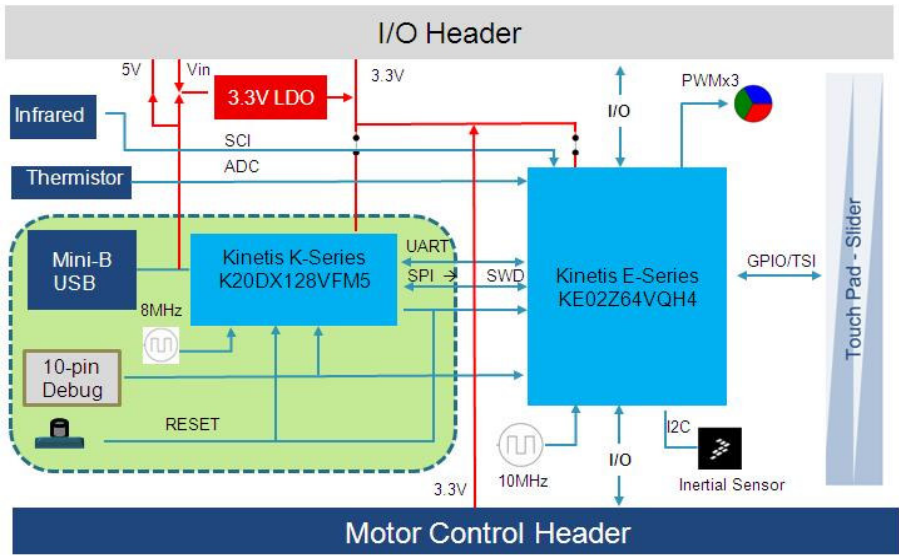


|                 |                              |
|-----------------|------------------------------|
| <b>Contents</b> |                              |
|                 | m                            |
|                 | RFACE                        |
| 5               | I/O Headers and Power Supply |

| Revisions |  |          |          |
|-----------|--|----------|----------|
| Rev       | Description  | Date     | Approved |
| A         | Release based on FRDM-KE02Z A2<br>Change MCU to MKE02Z64VQH4<br>Change C18 from 1.0uF to 0.1uF | 11/20/13 |          |

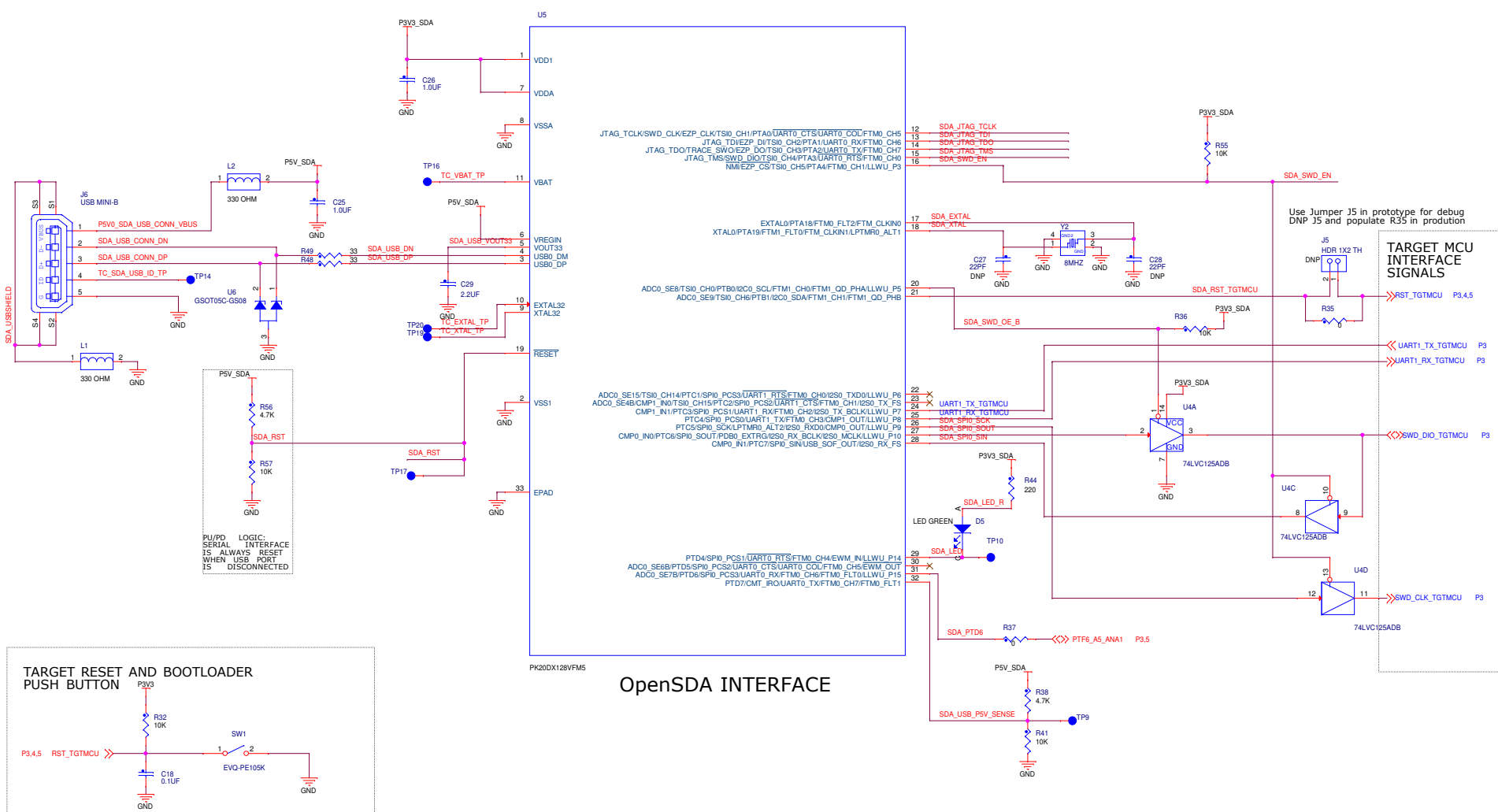
# FREEDOM KE02Z40M

|   |                                     |  |       |
|---|-------------------------------------|--|-------|
|  |                                     | <b>Automotive, Industrial &amp; Multi-Market Solutions Group</b><br>6501 William Cannon Drive West Austin, TX 78735-8598 |       |
| ICAP Classification: FQP: FIUO: PUB: X  |                                     |  |       |
| Designer:   | Drawing Title: <b>FRDM-KE02Z40M</b> |  |       |
| Drawn by:   | Page Title: <b>TITLE PAGE</b>       |  |       |
| Approved:   | Size C                              | Document Number SCH-28201 PDF: SPF-28201   | Rev A |
| Date: Friday, November 22, 2013 Sheet 1 of 5  |                                     |  |       |

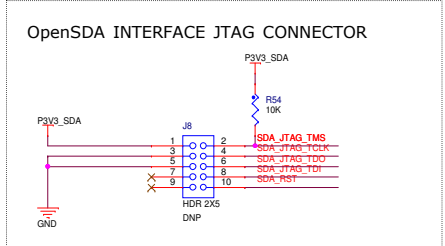
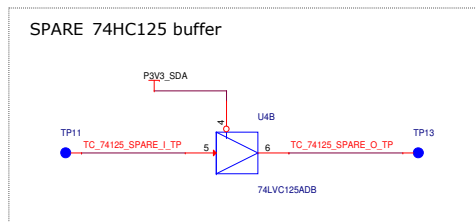
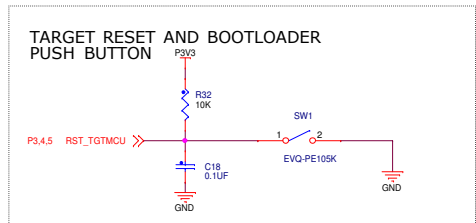


Indicates optional items that will not be populated by default





### OpenSDA INTERFACE



**freescale**

ICAP Classification: FCP: FIUO: PUBI: X  
 Drawing Title: **FRDM-KE02Z40M**  
 Page Title: **OpenSDA interface**

|                                    |  |       |
|------------------------------------|--|-------|
| Size C                             | Document Number SCH-28201 PDF: SPF-28201 | Rev A |
| Date: Wednesday, November 20, 2013 | Sheet 4 of 5                             |       |

