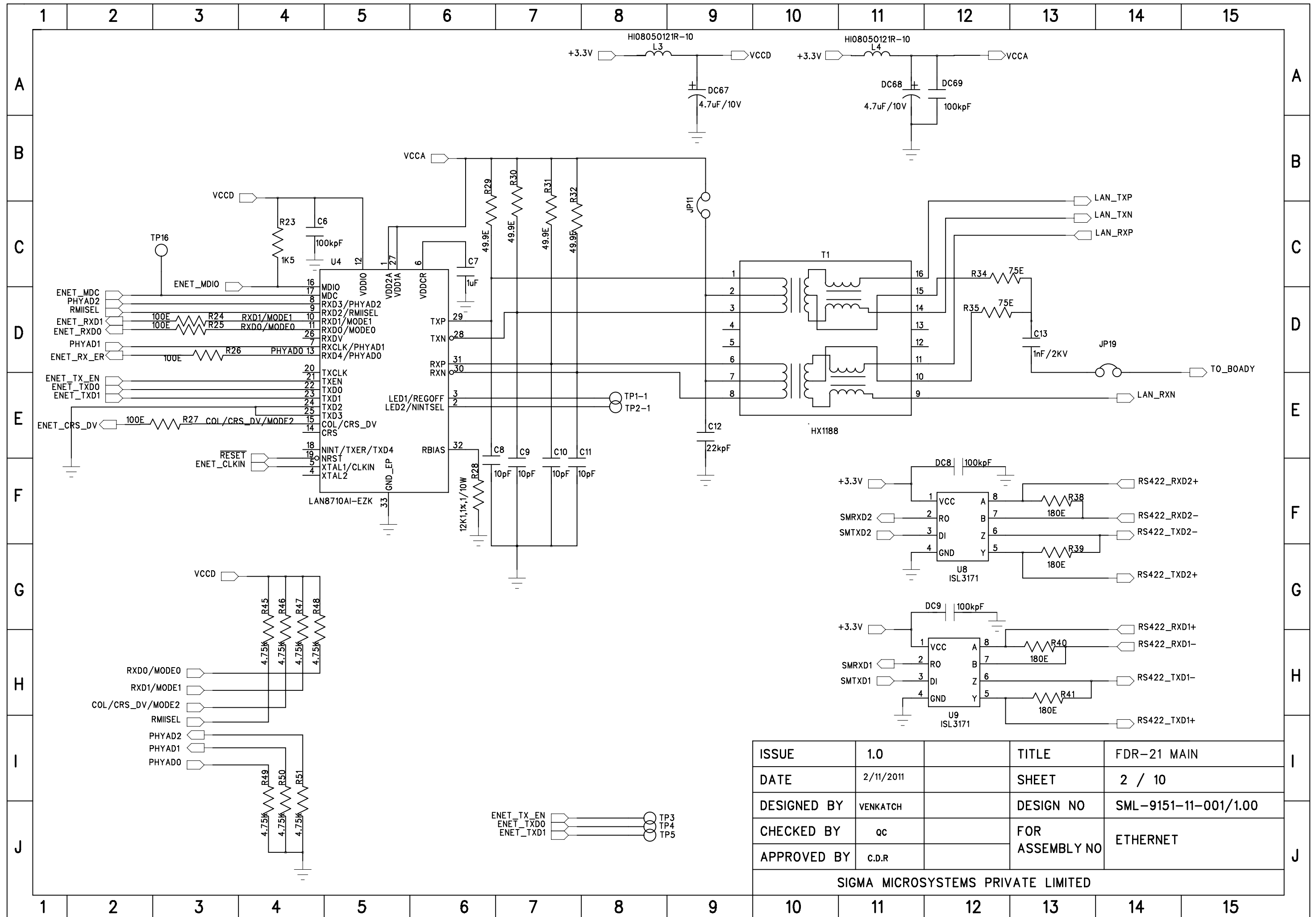


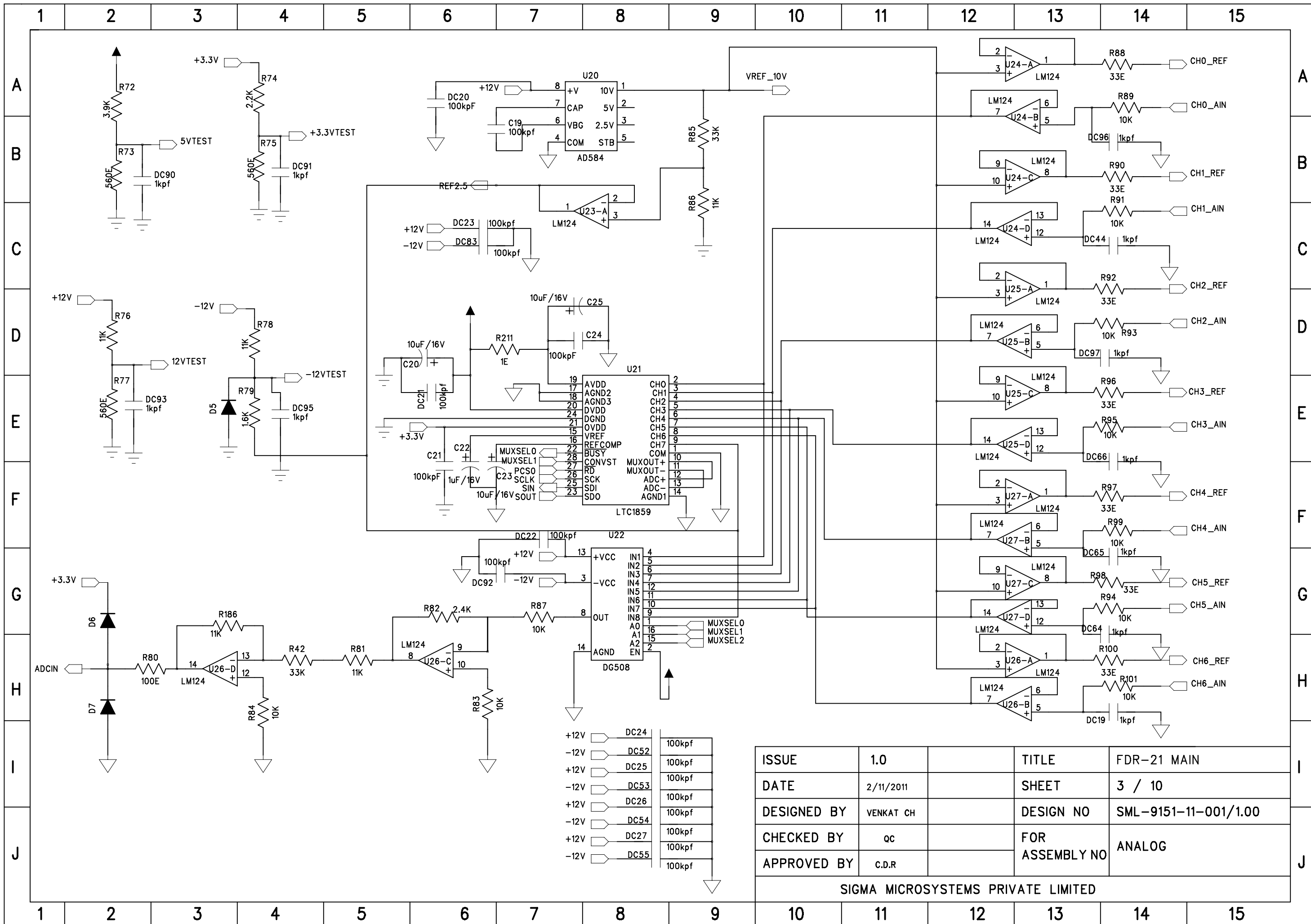
ISSUE	1.0	TITLE	FDR-21 MAIN
DATE	2/11/2011	SHEET	1 / 10
DESIGNED BY	VENKAT CH	DESIGN NO	SML-9151-11-001/1.00
CHECKED BY	QC	FOR ASSEMBLY NO	CPU MODULE
APPROVED BY	C.D.R		

SIGMA MICROSYSTEM PRIVATE LIMITED



ISSUE	1.0		TITLE	FDR-21 MAIN
DATE	2/11/2011		SHEET	2 / 10
DESIGNED BY	VENKATCH		DESIGN NO	SML-9151-11-001/1.00
CHECKED BY	qc		FOR ASSEMBLY NO	ETHERNET
APPROVED BY	C.D.R			

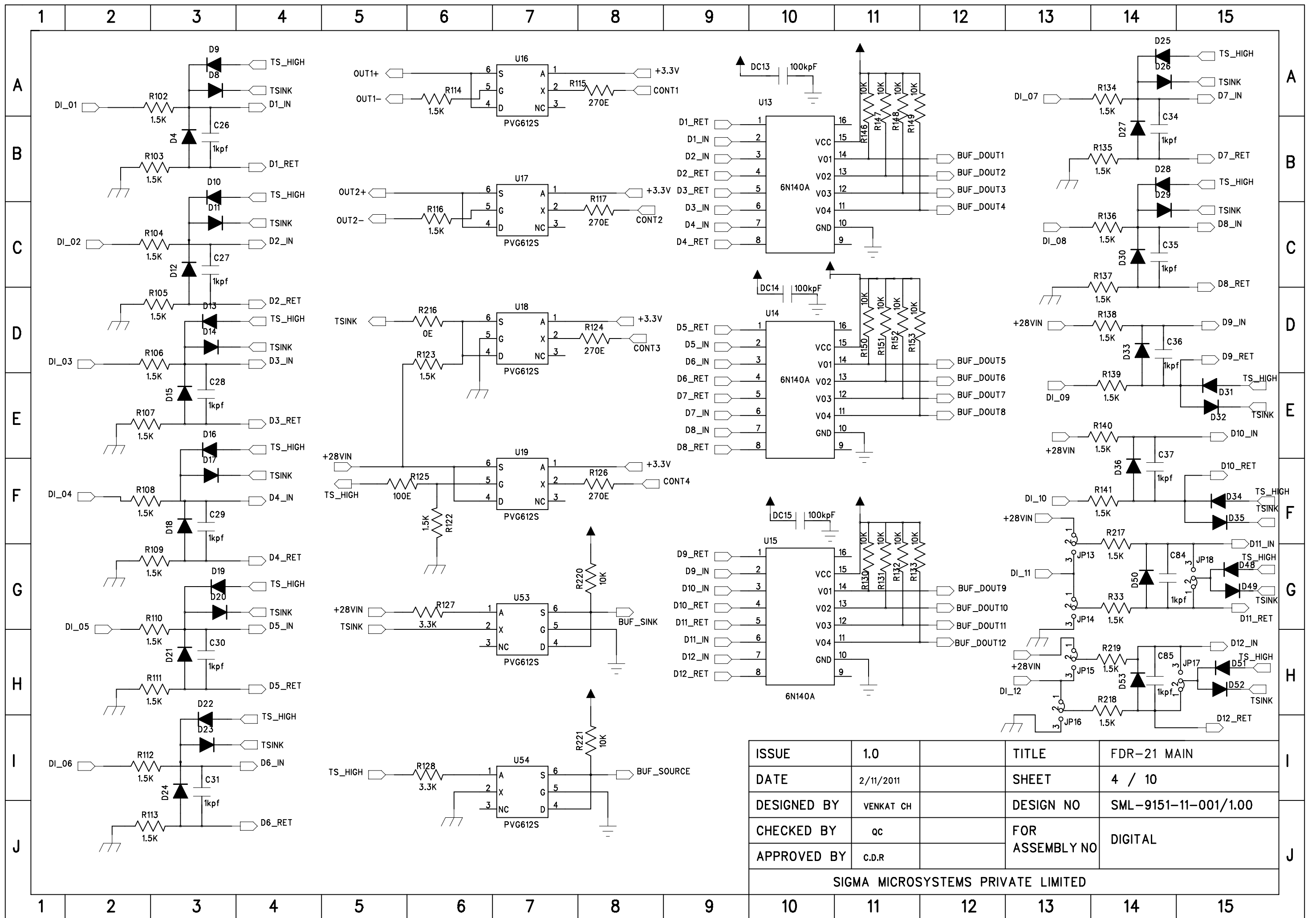
SIGMA MICROSYSTEMS PRIVATE LIMITED



- +12V DC24 100kpf
- 12V DC52 100kpf
- +12V DC25 100kpf
- 12V DC53 100kpf
- +12V DC26 100kpf
- 12V DC54 100kpf
- +12V DC27 100kpf
- 12V DC55 100kpf

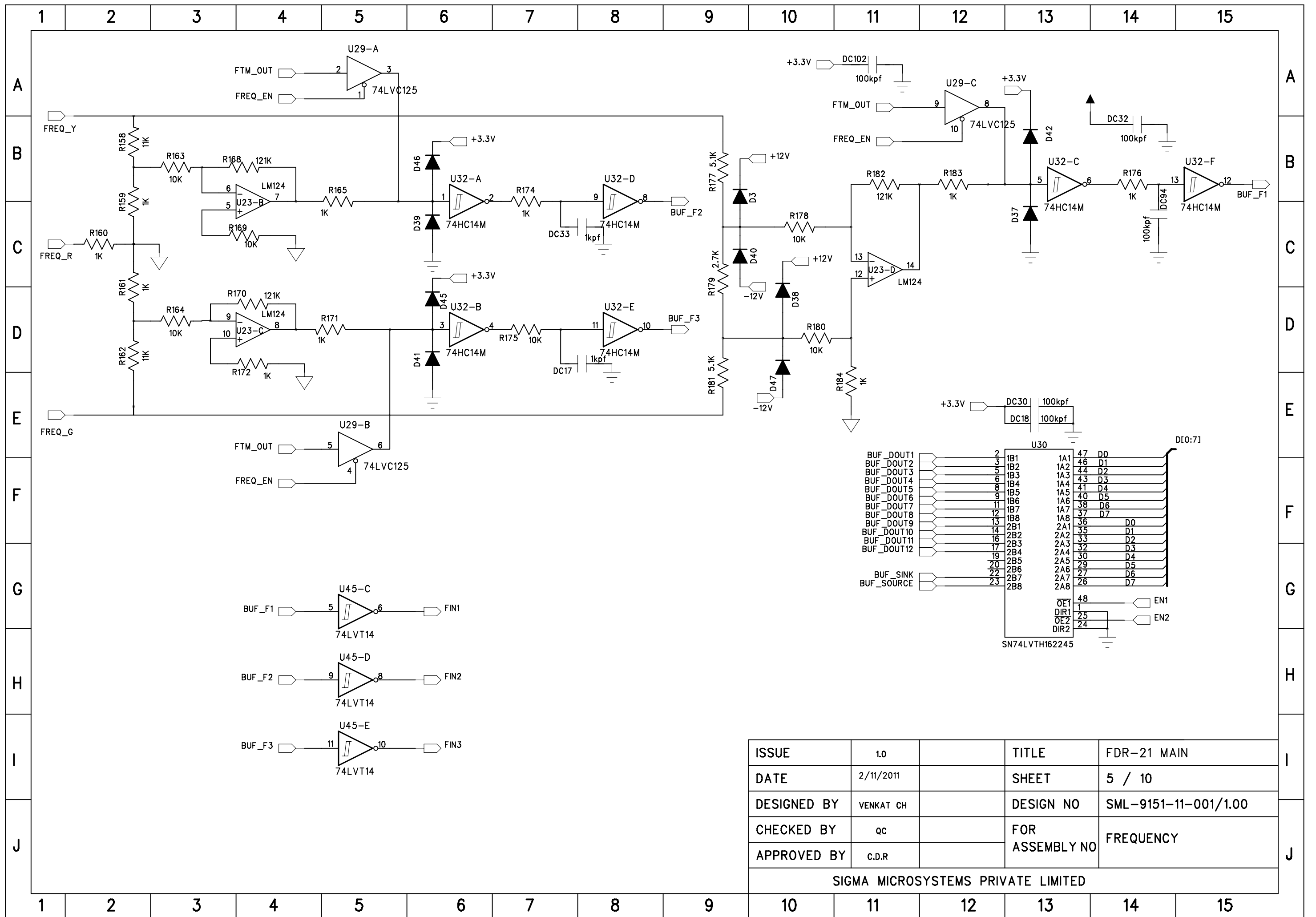
ISSUE	1.0		TITLE	FDR-21 MAIN
DATE	2/11/2011		SHEET	3 / 10
DESIGNED BY	VENKAT CH		DESIGN NO	SML-9151-11-001/1.00
CHECKED BY	qc		FOR ASSEMBLY NO	ANALOG
APPROVED BY	c.d.r			

SIGMA MICROSYSTEMS PRIVATE LIMITED



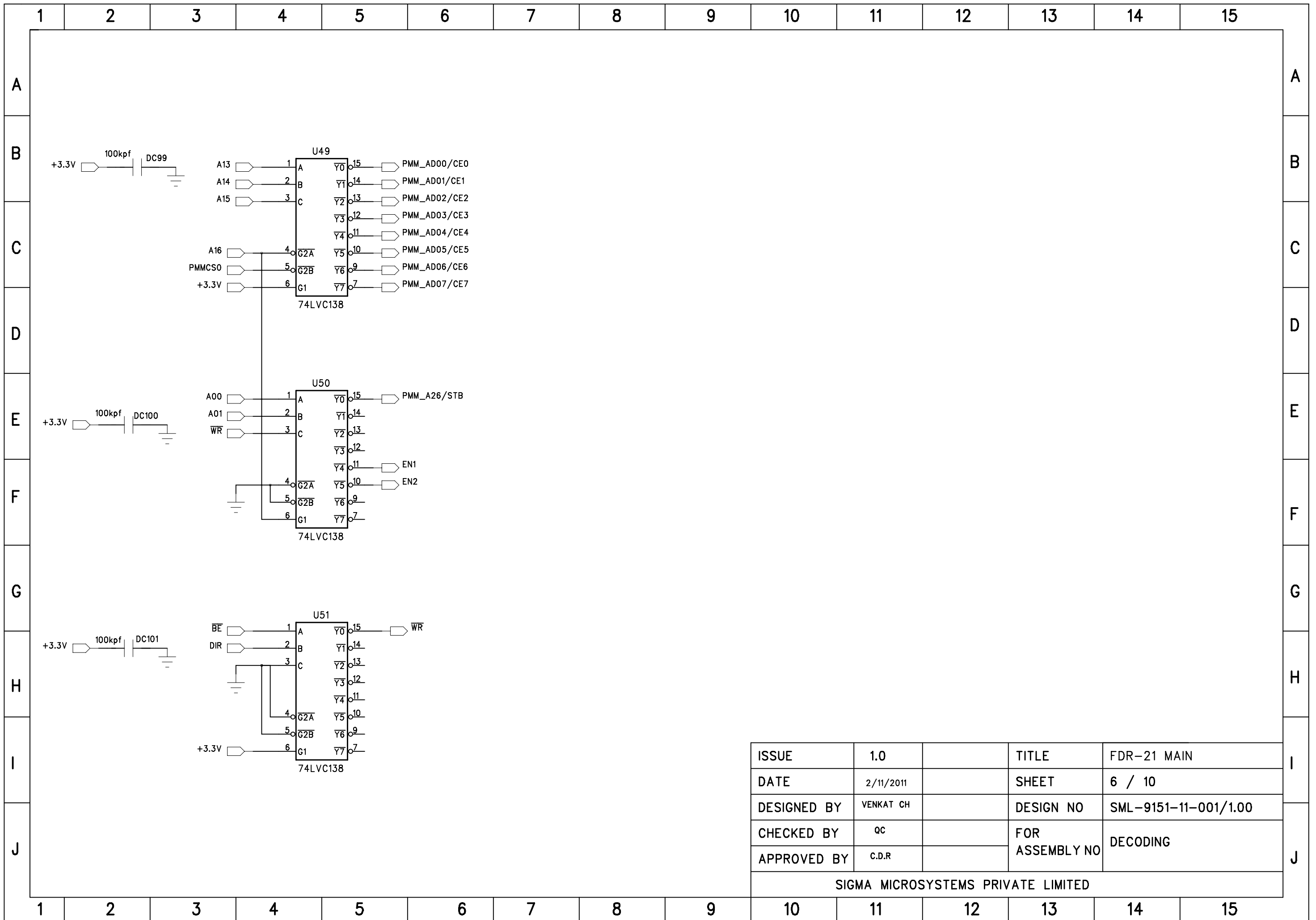
ISSUE	1.0		TITLE	FDR-21 MAIN
DATE	2/11/2011		SHEET	4 / 10
DESIGNED BY	VENKAT CH		DESIGN NO	SML-9151-11-001/1.00
CHECKED BY	qc		FOR ASSEMBLY NO	DIGITAL
APPROVED BY	c.d.r			

SIGMA MICROSYSTEMS PRIVATE LIMITED



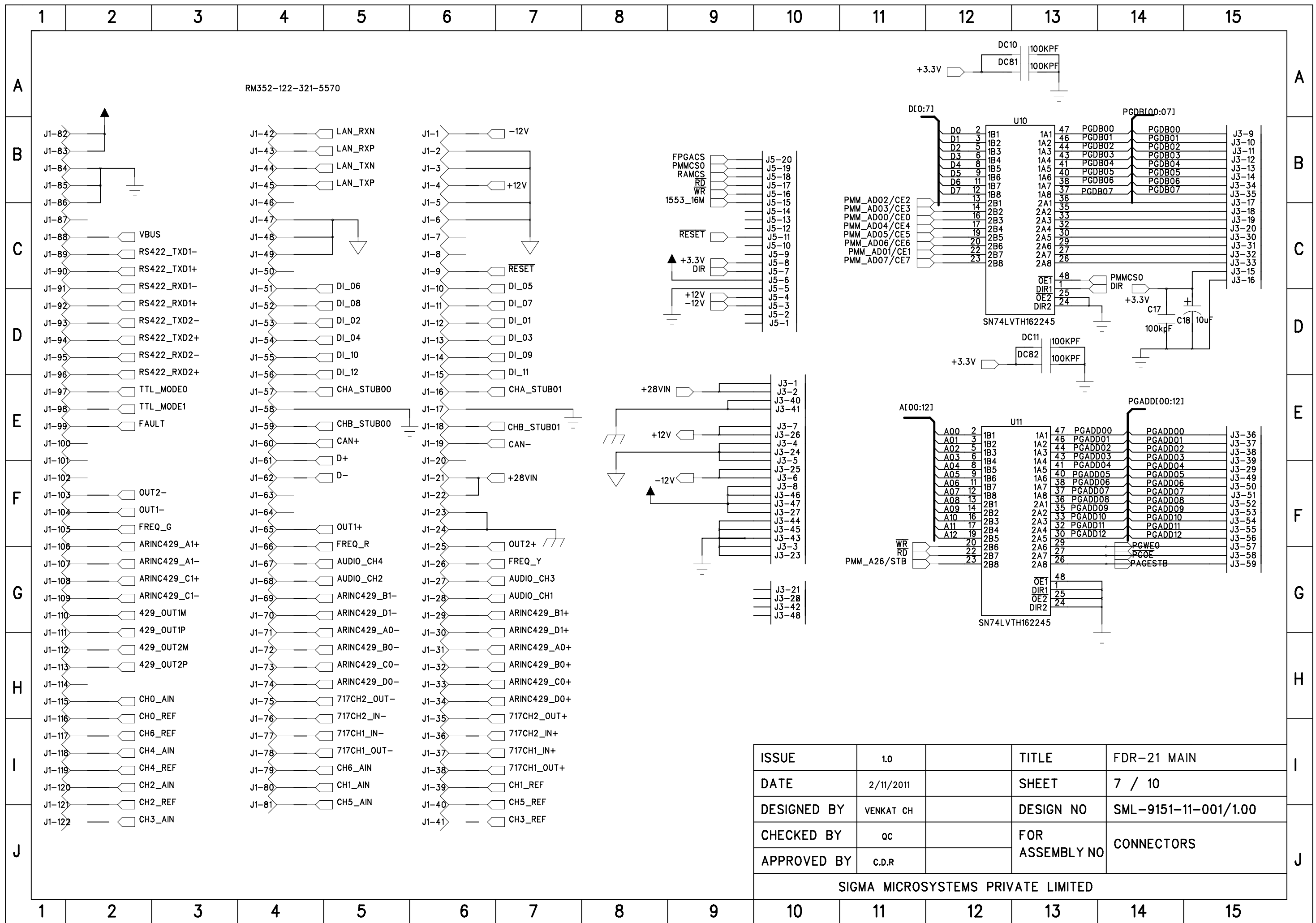
ISSUE	1.0	TITLE	FDR-21 MAIN
DATE	2/11/2011	SHEET	5 / 10
DESIGNED BY	VENKAT CH	DESIGN NO	SML-9151-11-001/1.00
CHECKED BY	QC	FOR ASSEMBLY NO	FREQUENCY
APPROVED BY	C.D.R		

SIGMA MICROSYSTEMS PRIVATE LIMITED



ISSUE	1.0		TITLE	FDR-21 MAIN
DATE	2/11/2011		SHEET	6 / 10
DESIGNED BY	VENKAT CH		DESIGN NO	SML-9151-11-001/1.00
CHECKED BY	QC		FOR ASSEMBLY NO	DECODING
APPROVED BY	C.D.R			

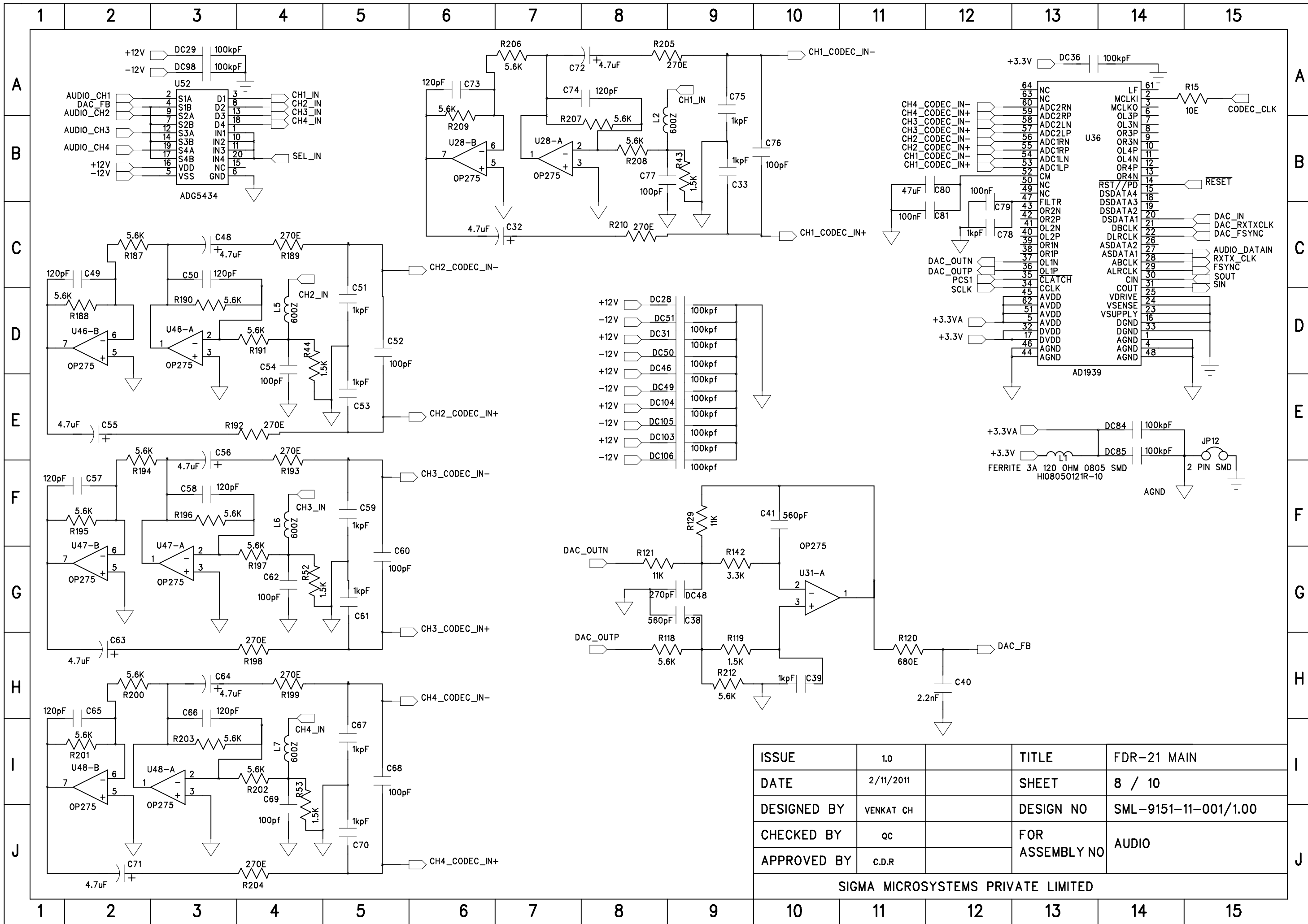
SIGMA MICROSYSTEMS PRIVATE LIMITED



RM352-122-321-5570

ISSUE	1.0	TITLE	FDR-21 MAIN
DATE	2/11/2011	SHEET	7 / 10
DESIGNED BY	VENKAT CH	DESIGN NO	SML-9151-11-001/1.00
CHECKED BY	QC	FOR ASSEMBLY NO	CONNECTORS
APPROVED BY	C.D.R		

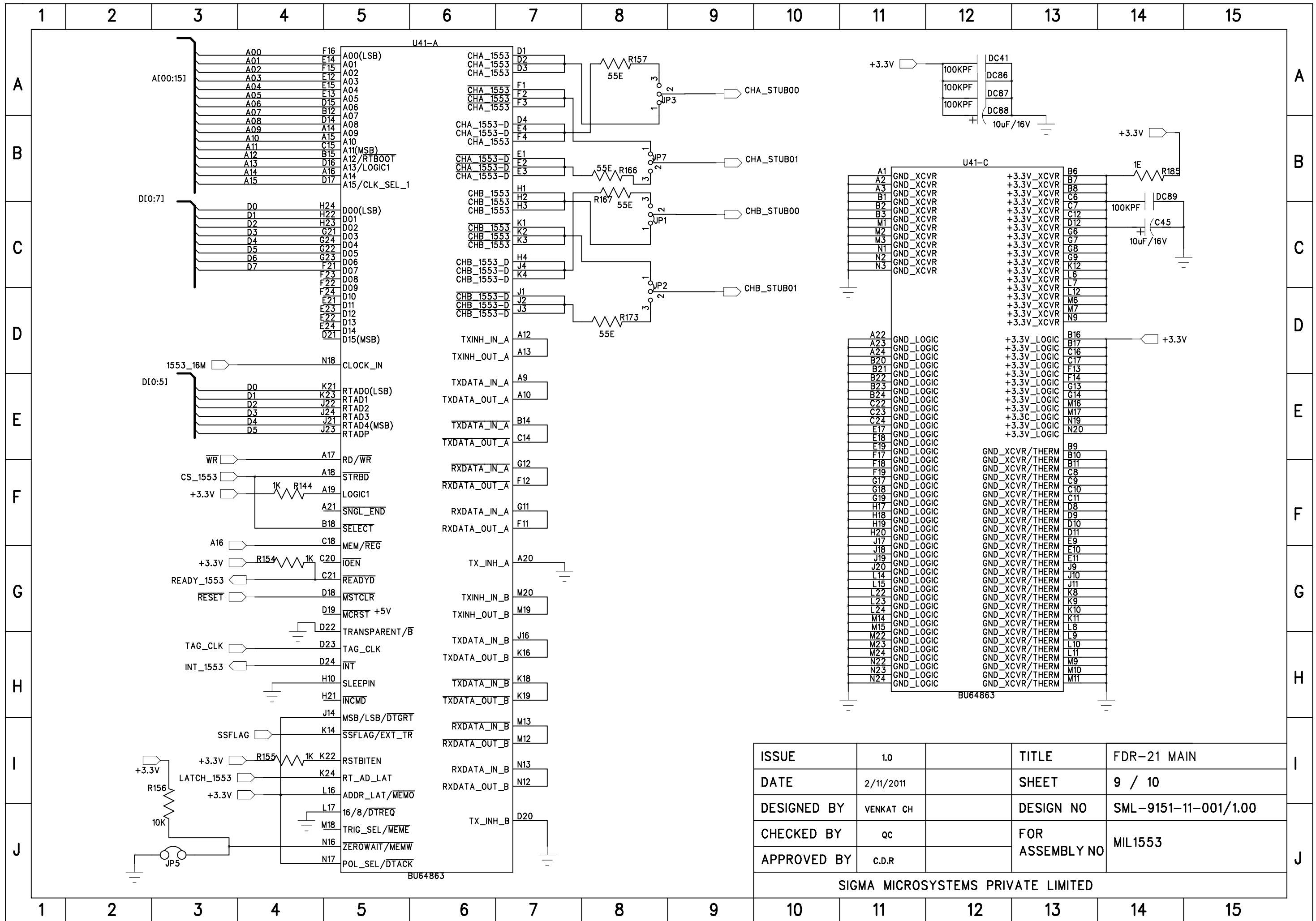
SIGMA MICROSYSTEMS PRIVATE LIMITED



ISSUE	1.0	TITLE	FDR-21 MAIN
DATE	2/11/2011	SHEET	8 / 10
DESIGNED BY	VENKAT CH	DESIGN NO	SML-9151-11-001/1.00
CHECKED BY	QC	FOR ASSEMBLY NO	AUDIO
APPROVED BY	C.D.R		

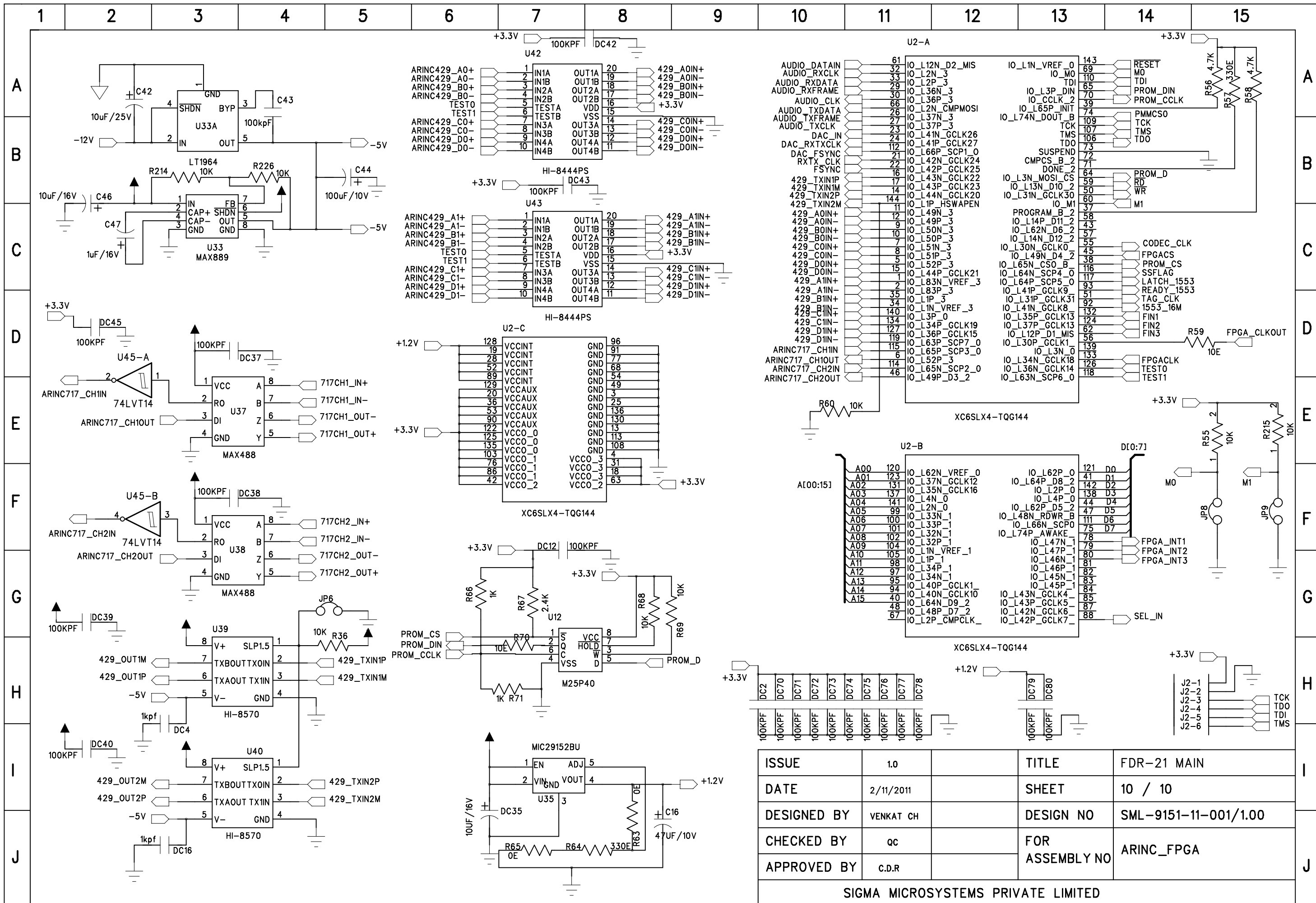
SIGMA MICROSYSTEMS PRIVATE LIMITED





ISSUE	1.0	TITLE	FDR-21 MAIN
DATE	2/11/2011	SHEET	9 / 10
DESIGNED BY	VENKAT CH	DESIGN NO	SML-9151-11-001/1.00
CHECKED BY	QC	FOR ASSEMBLY NO	MIL1553
APPROVED BY	C.D.R		

SIGMA MICROSYSTEMS PRIVATE LIMITED



ISSUE	1.0	TITLE	FDR-21 MAIN
DATE	2/11/2011	SHEET	10 / 10
DESIGNED BY	VENKAT CH	DESIGN NO	SML-9151-11-001/1.00
CHECKED BY	qc	FOR ASSEMBLY NO	ARINC_FPGA
APPROVED BY	c.d.r		

SIGMA MICROSYSTEMS PRIVATE LIMITED