

KL36 Sub-Family Reference Manual

Supports: MKL36Z64VLH4, MKL36Z128VLH4, MKL36Z256VLH4,
MKL36Z256VMP4, MKL36Z64VLL4, MKL36Z128VLL4,
MKL36Z256VLL4, MKL36Z128VMC4, MKL36Z256VMC4



Document Number: KL36P121M48SF4RM
Rev. 3, July 2013





Contents

Section number	Title	Page
Chapter 1		
About This Document		
1.1	Overview.....	35
1.1.1	Purpose.....	35
1.1.2	Audience.....	35
1.2	Conventions.....	35
1.2.1	Numbering systems.....	35
1.2.2	Typographic notation.....	36
1.2.3	Special terms.....	36
Chapter 2		
Introduction		
2.1	Overview.....	37
2.1.1	Kinetis L series.....	37
2.1.2	KL36 sub-family introduction.....	40
2.2	Module functional categories.....	41
2.2.1	ARM Cortex-M0+ core modules.....	42
2.2.2	System modules.....	42
2.2.3	Memories and memory interfaces.....	43
2.2.4	Clocks.....	43
2.2.5	Security and integrity modules.....	44
2.2.6	Analog modules.....	44
2.2.7	Timer modules.....	44
2.2.8	Communication interfaces.....	45
2.2.9	Human-machine interfaces.....	46
2.3	Orderable part numbers.....	46
Chapter 3		
Chip Configuration		
3.1	Introduction.....	47

Section number	Title	Page
3.2	Module to module interconnects.....	47
3.2.1	Interconnection overview.....	47
3.2.2	Analog reference options.....	49
3.3	Core modules.....	49
3.3.1	ARM Cortex-M0+ core configuration.....	50
3.3.2	Nested vectored interrupt controller (NVIC) configuration.....	52
3.3.3	Asynchronous wake-up interrupt controller (AWIC) configuration.....	56
3.4	System modules.....	57
3.4.1	SIM configuration.....	57
3.4.2	System mode controller (SMC) configuration.....	58
3.4.3	PMC configuration.....	58
3.4.4	Low-Leakage Wake-up Unit (LLWU) Configuration.....	59
3.4.5	MCM configuration.....	61
3.4.6	Crossbar-light switch configuration.....	62
3.4.7	Peripheral bridge configuration.....	63
3.4.8	DMA request multiplexer configuration.....	64
3.4.9	DMA Controller Configuration.....	67
3.4.10	Computer operating properly (COP) watchdog configuration.....	67
3.5	Clock modules.....	70
3.5.1	MCG configuration.....	70
3.5.2	OSC configuration.....	70
3.6	Memories and memory interfaces.....	71
3.6.1	Flash memory configuration.....	71
3.6.2	Flash memory controller configuration.....	74

Section number	Title	Page
3.6.3	SRAM configuration.....	74
3.6.4	System Register File Configuration.....	77
3.7	Analog.....	77
3.7.1	16-bit SAR ADC configuration.....	78
3.7.2	CMP configuration.....	81
3.7.3	12-bit DAC Configuration.....	83
3.8	Timers.....	85
3.8.1	Timer/PWM module configuration.....	85
3.8.2	PIT Configuration.....	87
3.8.3	Low-power timer configuration.....	89
3.8.4	RTC configuration.....	90
3.9	Communication interfaces.....	92
3.9.1	SPI configuration.....	92
3.9.2	I2C configuration.....	93
3.9.3	UART configuration.....	94
3.9.4	I2S configuration.....	95
3.10	Human-machine interfaces (HMI).....	98
3.10.1	GPIO configuration.....	98
3.10.2	TSI Configuration.....	101
3.10.3	Segment LCD Configuration.....	102

Chapter 4 Memory Map

4.1	Introduction.....	105
4.2	System memory map.....	105
4.3	Flash memory map.....	106
4.3.1	Alternate non-volatile IRC user trim description.....	106
4.4	SRAM memory map.....	107
4.5	Bit Manipulation Engine.....	107

Section number	Title	Page
4.6	Peripheral bridge (AIPS-Lite) memory map.....	108
4.6.1	Read-after-write sequence and required serialization of memory operations.....	108
4.6.2	Peripheral bridge (AIPS-Lite) memory map.....	109
4.6.3	Modules restricted access in user mode.....	112
4.7	Private Peripheral Bus (PPB) memory map.....	112

Chapter 5 Clock Distribution

5.1	Introduction.....	115
5.2	Programming model.....	115
5.3	High-level device clocking diagram.....	115
5.4	Clock definitions.....	116
5.4.1	Device clock summary.....	117
5.5	Internal clocking requirements.....	119
5.5.1	Clock divider values after reset.....	120
5.5.2	VLPR mode clocking.....	120
5.6	Clock gating.....	121
5.7	Module clocks.....	121
5.7.1	PMC 1-kHz LPO clock.....	122
5.7.2	COP clocking.....	122
5.7.3	RTC clocking.....	123
5.7.4	LPTMR clocking.....	123
5.7.5	TPM clocking.....	124
5.7.6	SPI clocking.....	124
5.7.7	I2C clocking.....	125
5.7.8	UART clocking.....	125
5.7.9	I2S/SAI clocking.....	125
5.7.10	SLCD clocking.....	126

Chapter 6 Reset and Boot

6.1	Introduction.....	129
6.2	Reset.....	129
6.2.1	Power-on reset (POR).....	130
6.2.2	System reset sources.....	130
6.2.3	MCU resets.....	133
6.2.4	RESET_b pin	135
6.2.5	Debug resets.....	135
6.3	Boot.....	136
6.3.1	Boot sources.....	136
6.3.2	FOPT boot options.....	136
6.3.3	Boot sequence.....	137

Chapter 7 Power Management

7.1	Introduction.....	139
7.2	Clocking modes.....	139
7.2.1	Partial Stop.....	139
7.2.2	DMA Wakeup.....	140
7.2.3	Compute Operation.....	141
7.2.4	Peripheral Doze.....	142
7.2.5	Clock gating.....	143
7.3	Power modes.....	143
7.4	Entering and exiting power modes.....	145
7.5	Module operation in low-power modes.....	146

Chapter 8 Security

8.1	Introduction.....	151
8.1.1	Flash security.....	151

Section number	Title	Page
8.1.2	Security interactions with other modules.....	151

Chapter 9 Debug

9.1	Introduction.....	153
9.2	Debug port pin descriptions.....	153
9.3	SWD status and control registers.....	154
9.3.1	MDM-AP Control Register.....	155
9.3.2	MDM-AP Status Register.....	156
9.4	Debug resets.....	158
9.5	Micro Trace Buffer (MTB).....	159
9.6	Debug in low-power modes.....	159
9.7	Debug and security.....	160

Chapter 10 Signal Multiplexing and Signal Descriptions

10.1	Introduction.....	161
10.2	Signal multiplexing integration.....	161
10.2.1	Port control and interrupt module features.....	162
10.2.2	Clock gating.....	163
10.2.3	Signal multiplexing constraints.....	163
10.3	Pinout.....	163
10.3.1	KL36 Signal Multiplexing and Pin Assignments.....	163
10.3.2	KL36 pinouts.....	167
10.4	Module Signal Description Tables.....	171
10.4.1	Core modules.....	171
10.4.2	System modules.....	172
10.4.3	Clock modules.....	172
10.4.4	Memories and memory interfaces.....	172
10.4.5	Analog.....	172
10.4.6	Timer Modules.....	173

Section number	Title	Page
10.4.7	Communication interfaces.....	174
10.4.8	Human-machine interfaces (HMI).....	176

Chapter 11 Port Control and Interrupts (PORT)

11.1	Introduction.....	177
11.2	Overview.....	177
11.2.1	Features.....	177
11.2.2	Modes of operation.....	178
11.3	External signal description.....	179
11.4	Detailed signal description.....	179
11.5	Memory map and register definition.....	179
11.5.1	Pin Control Register n (PORTx_PCRn).....	185
11.5.2	Global Pin Control Low Register (PORTx_GPCLR).....	187
11.5.3	Global Pin Control High Register (PORTx_GPCHR).....	188
11.5.4	Interrupt Status Flag Register (PORTx_ISFR).....	188
11.6	Functional description.....	189
11.6.1	Pin control.....	189
11.6.2	Global pin control.....	190
11.6.3	External interrupts.....	190

Chapter 12 System Integration Module (SIM)

12.1	Introduction.....	193
12.1.1	Features.....	193
12.2	Memory map and register definition.....	193
12.2.1	System Options Register 1 (SIM_SOPT1).....	195
12.2.2	SOPT1 Configuration Register (SIM_SOPT1CFG).....	195
12.2.3	System Options Register 2 (SIM_SOPT2).....	196
12.2.4	System Options Register 4 (SIM_SOPT4).....	198
12.2.5	System Options Register 5 (SIM_SOPT5).....	199

Section number	Title	Page
12.2.6	System Options Register 7 (SIM_SOPT7).....	201
12.2.7	System Device Identification Register (SIM_SDID).....	202
12.2.8	System Clock Gating Control Register 4 (SIM_SCGC4).....	204
12.2.9	System Clock Gating Control Register 5 (SIM_SCGC5).....	206
12.2.10	System Clock Gating Control Register 6 (SIM_SCGC6).....	208
12.2.11	System Clock Gating Control Register 7 (SIM_SCGC7).....	210
12.2.12	System Clock Divider Register 1 (SIM_CLKDIV1).....	210
12.2.13	Flash Configuration Register 1 (SIM_FCFG1).....	212
12.2.14	Flash Configuration Register 2 (SIM_FCFG2).....	213
12.2.15	Unique Identification Register Mid-High (SIM_UIDMH).....	214
12.2.16	Unique Identification Register Mid Low (SIM_UIDML).....	214
12.2.17	Unique Identification Register Low (SIM_UIDL).....	215
12.2.18	COP Control Register (SIM_COPC).....	215
12.2.19	Service COP Register (SIM_SRVCOP).....	216
12.3	Functional description.....	217

Chapter 13 System Mode Controller (SMC)

13.1	Introduction.....	219
13.2	Modes of operation.....	219
13.3	Memory map and register descriptions.....	221
13.3.1	Power Mode Protection register (SMC_PMPROT).....	222
13.3.2	Power Mode Control register (SMC_PMCTRL).....	223
13.3.3	Stop Control Register (SMC_STOPCTRL).....	224
13.3.4	Power Mode Status register (SMC_PMSTAT).....	226
13.4	Functional description.....	226
13.4.1	Power mode transitions.....	226

Section number	Title	Page
13.4.2	Power mode entry/exit sequencing.....	229
13.4.3	Run modes.....	232
13.4.4	Wait modes.....	233
13.4.5	Stop modes.....	234
13.4.6	Debug in low power modes.....	237

Chapter 14 Power Management Controller (PMC)

14.1	Introduction.....	239
14.2	Features.....	239
14.3	Low-voltage detect (LVD) system.....	239
14.3.1	LVD reset operation.....	240
14.3.2	LVD interrupt operation.....	240
14.3.3	Low-voltage warning (LVW) interrupt operation.....	240
14.4	I/O retention.....	241
14.5	Memory map and register descriptions.....	241
14.5.1	Low Voltage Detect Status And Control 1 register (PMC_LVDSC1).....	242
14.5.2	Low Voltage Detect Status And Control 2 register (PMC_LVDSC2).....	243
14.5.3	Regulator Status And Control register (PMC_REGSC).....	244

Chapter 15 Low-Leakage Wakeup Unit (LLWU)

15.1	Introduction.....	247
15.1.1	Features.....	247
15.1.2	Modes of operation.....	248
15.1.3	Block diagram.....	249
15.2	LLWU signal descriptions.....	249
15.3	Memory map/register definition.....	250
15.3.1	LLWU Pin Enable 1 register (LLWU_PE1).....	251
15.3.2	LLWU Pin Enable 2 register (LLWU_PE2).....	252
15.3.3	LLWU Pin Enable 3 register (LLWU_PE3).....	253

Section number	Title	Page
15.3.4	LLWU Pin Enable 4 register (LLWU_PE4).....	254
15.3.5	LLWU Module Enable register (LLWU_ME).....	255
15.3.6	LLWU Flag 1 register (LLWU_F1).....	257
15.3.7	LLWU Flag 2 register (LLWU_F2).....	258
15.3.8	LLWU Flag 3 register (LLWU_F3).....	260
15.3.9	LLWU Pin Filter 1 register (LLWU_FILT1).....	262
15.3.10	LLWU Pin Filter 2 register (LLWU_FILT2).....	263
15.4	Functional description.....	264
15.4.1	LLS mode.....	265
15.4.2	VLLS modes.....	265
15.4.3	Initialization.....	265

Chapter 16 Reset Control Module (RCM)

16.1	Introduction.....	267
16.2	Reset memory map and register descriptions.....	267
16.2.1	System Reset Status Register 0 (RCM_SRS0).....	268
16.2.2	System Reset Status Register 1 (RCM_SRS1).....	269
16.2.3	Reset Pin Filter Control register (RCM_RPFC).....	270
16.2.4	Reset Pin Filter Width register (RCM_RPFW).....	271

Chapter 17 Bit Manipulation Engine (BME)

17.1	Introduction.....	273
17.1.1	Overview.....	274
17.1.2	Features.....	274
17.1.3	Modes of operation.....	275
17.2	Memory map and register definition.....	275

Section number	Title	Page
17.3	Functional description.....	275
17.3.1	BME decorated stores.....	276
17.3.2	BME decorated loads.....	283
17.3.3	Additional details on decorated addresses and GPIO accesses.....	289
17.4	Application information.....	290

Chapter 18 Miscellaneous Control Module (MCM)

18.1	Introduction.....	293
18.1.1	Features.....	293
18.2	Memory map/register descriptions.....	293
18.2.1	Crossbar Switch (AXBS) Slave Configuration (MCM_PLASC).....	294
18.2.2	Crossbar Switch (AXBS) Master Configuration (MCM_PLAMC).....	295
18.2.3	Platform Control Register (MCM_PLACR).....	295
18.2.4	Compute Operation Control Register (MCM_CPO).....	298

Chapter 19 Micro Trace Buffer (MTB)

19.1	Introduction.....	301
19.1.1	Overview.....	301
19.1.2	Features.....	304
19.1.3	Modes of operation.....	305
19.2	External signal description.....	305
19.3	Memory map and register definition.....	306
19.3.1	MTB_RAM Memory Map.....	306
19.3.2	MTB_DWT Memory Map.....	319
19.3.3	System ROM Memory Map.....	329

Chapter 20 Crossbar Switch Lite (AXBS-Lite)

20.1	Introduction.....	335
20.1.1	Features.....	335
20.2	Memory Map / Register Definition.....	335

Section number	Title	Page
20.3	Functional Description.....	336
20.3.1	General operation.....	336
20.3.2	Arbitration.....	337
20.4	Initialization/application information.....	338

Chapter 21 Peripheral Bridge (AIPS-Lite)

21.1	Introduction.....	339
21.1.1	Features.....	339
21.1.2	General operation.....	339
21.2	Functional description.....	340
21.2.1	Access support.....	340

Chapter 22 Direct Memory Access Multiplexer (DMAMUX)

22.1	Introduction.....	341
22.1.1	Overview.....	341
22.1.2	Features.....	342
22.1.3	Modes of operation.....	342
22.2	External signal description.....	343
22.3	Memory map/register definition.....	343
22.3.1	Channel Configuration register (DMAMUX _x _CHCFG _n).....	344
22.4	Functional description.....	345
22.4.1	DMA channels with periodic triggering capability.....	345
22.4.2	DMA channels with no triggering capability.....	347
22.4.3	Always-enabled DMA sources.....	347
22.5	Initialization/application information.....	349
22.5.1	Reset.....	349
22.5.2	Enabling and configuring sources.....	349

Section number	Title	Page
Chapter 23		
DMA Controller Module		
23.1	Introduction.....	353
23.1.1	Overview.....	353
23.1.2	Features.....	354
23.2	DMA Transfer Overview.....	355
23.3	Memory Map/Register Definition.....	356
23.3.1	Source Address Register (DMA_SAR _n).....	357
23.3.2	Destination Address Register (DMA_DAR _n).....	358
23.3.3	DMA Status Register / Byte Count Register (DMA_DSR_BCR _n).....	359
23.3.4	DMA Control Register (DMA_DCR _n).....	361
23.4	Functional Description.....	365
23.4.1	Transfer Requests (Cycle-Steal and Continuous Modes).....	365
23.4.2	Channel Initialization and Startup.....	365
23.4.3	Dual-Address Data Transfer Mode.....	367
23.4.4	Advanced Data Transfer Controls: Auto-Alignment.....	368
23.4.5	Termination.....	369
Chapter 24		
Multipurpose Clock Generator (MCG)		
24.1	Introduction.....	371
24.1.1	Features.....	371
24.1.2	Modes of Operation.....	373
24.2	External Signal Description.....	373
24.3	Memory Map/Register Definition.....	373
24.3.1	MCG Control 1 Register (MCG_C1).....	374
24.3.2	MCG Control 2 Register (MCG_C2).....	375
24.3.3	MCG Control 3 Register (MCG_C3).....	377
24.3.4	MCG Control 4 Register (MCG_C4).....	377
24.3.5	MCG Control 5 Register (MCG_C5).....	379

Section number	Title	Page
24.3.6	MCG Control 6 Register (MCG_C6).....	380
24.3.7	MCG Status Register (MCG_S).....	381
24.3.8	MCG Status and Control Register (MCG_SC).....	383
24.3.9	MCG Auto Trim Compare Value High Register (MCG_ATCVH).....	384
24.3.10	MCG Auto Trim Compare Value Low Register (MCG_ATCVL).....	384
24.3.11	MCG Control 7 Register (MCG_C7).....	385
24.3.12	MCG Control 8 Register (MCG_C8).....	385
24.3.13	MCG Control 9 Register (MCG_C9).....	386
24.3.14	MCG Control 10 Register (MCG_C10).....	386
24.4	Functional description.....	387
24.4.1	MCG mode state diagram.....	387
24.4.2	Low Power Bit Usage.....	392
24.4.3	MCG Internal Reference Clocks.....	392
24.4.4	External Reference Clock.....	393
24.4.5	MCG Fixed frequency clock	393
24.4.6	MCG PLL clock	393
24.4.7	MCG Auto TRIM (ATM).....	394
24.5	Initialization / Application information.....	395
24.5.1	MCG module initialization sequence.....	395
24.5.2	Using a 32.768 kHz reference.....	397
24.5.3	MCG mode switching.....	398

Chapter 25 Oscillator (OSC)

25.1	Introduction.....	407
25.2	Features and Modes.....	407
25.3	Block Diagram.....	408
25.4	OSC Signal Descriptions.....	408
25.5	External Crystal / Resonator Connections.....	409
25.6	External Clock Connections.....	410

Section number	Title	Page
25.7	Memory Map/Register Definitions.....	411
25.7.1	OSC Memory Map/Register Definition.....	411
25.8	Functional Description.....	412
25.8.1	OSC Module States.....	412
25.8.2	OSC Module Modes.....	414
25.8.3	Counter.....	416
25.8.4	Reference Clock Pin Requirements.....	416
25.9	Reset.....	416
25.10	Low Power Modes Operation.....	417
25.11	Interrupts.....	417

Chapter 26

Flash Memory Controller (FMC)

26.1	Introduction.....	419
26.1.1	Overview.....	419
26.1.2	Features.....	419
26.2	Modes of operation.....	420
26.3	External signal description.....	420
26.4	Memory map and register descriptions.....	420
26.5	Functional description.....	420

Chapter 27

Flash Memory Module (FTFA)

27.1	Introduction.....	423
27.1.1	Features.....	424
27.1.2	Block Diagram.....	424
27.1.3	Glossary.....	425
27.2	External Signal Description.....	426
27.3	Memory Map and Registers.....	426
27.3.1	Flash Configuration Field Description.....	426

Section number	Title	Page
27.3.2	Program Flash IFR Map.....	427
27.3.3	Register Descriptions.....	428
27.4	Functional Description.....	436
27.4.1	Flash Protection.....	437
27.4.2	Interrupts.....	437
27.4.3	Flash Operation in Low-Power Modes.....	438
27.4.4	Functional Modes of Operation.....	438
27.4.5	Flash Reads and Ignored Writes.....	438
27.4.6	Read While Write (RWW).....	439
27.4.7	Flash Program and Erase.....	439
27.4.8	Flash Command Operations.....	439
27.4.9	Margin Read Commands.....	444
27.4.10	Flash Command Description.....	445
27.4.11	Security.....	458
27.4.12	Reset Sequence.....	460

Chapter 28 Analog-to-Digital Converter (ADC)

28.1	Introduction.....	461
28.1.1	Features.....	461
28.1.2	Block diagram.....	462
28.2	ADC signal descriptions.....	463
28.2.1	Analog Power (VDDA).....	464
28.2.2	Analog Ground (VSSA).....	464
28.2.3	Voltage Reference Select.....	464
28.2.4	Analog Channel Inputs (ADx).....	465
28.2.5	Differential Analog Channel Inputs (DADx).....	465
28.3	Memory map and register definitions.....	465
28.3.1	ADC Status and Control Registers 1 (ADCx_SC1n).....	466
28.3.2	ADC Configuration Register 1 (ADCx_CFG1).....	469

Section number	Title	Page
28.3.3	ADC Configuration Register 2 (ADCx_CFG2).....	471
28.3.4	ADC Data Result Register (ADCx_Rn).....	472
28.3.5	Compare Value Registers (ADCx_CVn).....	473
28.3.6	Status and Control Register 2 (ADCx_SC2).....	474
28.3.7	Status and Control Register 3 (ADCx_SC3).....	476
28.3.8	ADC Offset Correction Register (ADCx_OFS).....	478
28.3.9	ADC Plus-Side Gain Register (ADCx_PG).....	478
28.3.10	ADC Minus-Side Gain Register (ADCx_MG).....	479
28.3.11	ADC Plus-Side General Calibration Value Register (ADCx_CLPD).....	479
28.3.12	ADC Plus-Side General Calibration Value Register (ADCx_CLPS).....	480
28.3.13	ADC Plus-Side General Calibration Value Register (ADCx_CLP4).....	480
28.3.14	ADC Plus-Side General Calibration Value Register (ADCx_CLP3).....	481
28.3.15	ADC Plus-Side General Calibration Value Register (ADCx_CLP2).....	481
28.3.16	ADC Plus-Side General Calibration Value Register (ADCx_CLP1).....	482
28.3.17	ADC Plus-Side General Calibration Value Register (ADCx_CLP0).....	482
28.3.18	ADC Minus-Side General Calibration Value Register (ADCx_CLMD).....	483
28.3.19	ADC Minus-Side General Calibration Value Register (ADCx_CLMS).....	483
28.3.20	ADC Minus-Side General Calibration Value Register (ADCx_CLM4).....	484
28.3.21	ADC Minus-Side General Calibration Value Register (ADCx_CLM3).....	484
28.3.22	ADC Minus-Side General Calibration Value Register (ADCx_CLM2).....	485
28.3.23	ADC Minus-Side General Calibration Value Register (ADCx_CLM1).....	485
28.3.24	ADC Minus-Side General Calibration Value Register (ADCx_CLM0).....	486
28.4	Functional description.....	486
28.4.1	Clock select and divide control.....	487
28.4.2	Voltage reference selection.....	487
28.4.3	Hardware trigger and channel selects.....	488
28.4.4	Conversion control.....	489
28.4.5	Automatic compare function.....	497
28.4.6	Calibration function.....	498

Section number	Title	Page
28.4.7	User-defined offset function.....	499
28.4.8	Temperature sensor.....	501
28.4.9	MCU wait mode operation.....	501
28.4.10	MCU Normal Stop mode operation.....	502
28.4.11	MCU Low-Power Stop mode operation.....	503
28.5	Initialization information.....	503
28.5.1	ADC module initialization example.....	503
28.6	Application information.....	505
28.6.1	External pins and routing.....	505
28.6.2	Sources of error.....	507

Chapter 29 Comparator (CMP)

29.1	Introduction.....	513
29.2	CMP features.....	513
29.3	6-bit DAC key features.....	514
29.4	ANMUX key features.....	515
29.5	CMP, DAC and ANMUX diagram.....	515
29.6	CMP block diagram.....	516
29.7	Memory map/register definitions.....	518
29.7.1	CMP Control Register 0 (CMPx_CR0).....	518
29.7.2	CMP Control Register 1 (CMPx_CR1).....	519
29.7.3	CMP Filter Period Register (CMPx_FPR).....	521
29.7.4	CMP Status and Control Register (CMPx_SCR).....	521
29.7.5	DAC Control Register (CMPx_DACCR).....	522
29.7.6	MUX Control Register (CMPx_MUXCR).....	523
29.8	Functional description.....	524
29.8.1	CMP functional modes.....	524
29.8.2	Power modes.....	533
29.8.3	Startup and operation.....	534

Section number	Title	Page
29.8.4	Low-pass filter.....	535
29.9	CMP interrupts.....	537
29.10	DMA support.....	537
29.11	CMP Asynchronous DMA support.....	538
29.12	Digital-to-analog converter.....	538
29.13	DAC functional description.....	539
29.13.1	Voltage reference source select.....	539
29.14	DAC resets.....	539
29.15	DAC clocks.....	539
29.16	DAC interrupts.....	540
29.17	CMP Trigger Mode.....	540

Chapter 30 12-bit Digital-to-Analog Converter (DAC)

30.1	Introduction.....	541
30.2	Features.....	541
30.3	Block diagram.....	541
30.4	Memory map/register definition.....	542
30.4.1	DAC Data Low Register (DACx_DATnL).....	543
30.4.2	DAC Data High Register (DACx_DATnH).....	543
30.4.3	DAC Status Register (DACx_SR).....	544
30.4.4	DAC Control Register (DACx_C0).....	544
30.4.5	DAC Control Register 1 (DACx_C1).....	546
30.4.6	DAC Control Register 2 (DACx_C2).....	546
30.5	Functional description.....	547
30.5.1	DAC data buffer operation.....	547
30.5.2	DMA operation.....	548
30.5.3	Resets.....	548
30.5.4	Low-Power mode operation.....	548

Section number	Title	Page
Chapter 31		
Timer/PWM Module (TPM)		
31.1	Introduction.....	551
31.1.1	TPM Philosophy.....	551
31.1.2	Features.....	551
31.1.3	Modes of Operation.....	552
31.1.4	Block Diagram.....	552
31.2	TPM Signal Descriptions.....	553
31.2.1	TPM_EXTCLK — TPM External Clock.....	553
31.2.2	TPM_CHn — TPM Channel (n) I/O Pin.....	554
31.3	Memory Map and Register Definition.....	554
31.3.1	Status and Control (TPM _x _SC).....	556
31.3.2	Counter (TPM _x _CNT).....	557
31.3.3	Modulo (TPM _x _MOD).....	558
31.3.4	Channel (n) Status and Control (TPM _x _CnSC).....	559
31.3.5	Channel (n) Value (TPM _x _CnV).....	561
31.3.6	Capture and Compare Status (TPM _x _STATUS).....	561
31.3.7	Configuration (TPM _x _CONF).....	563
31.4	Functional Description.....	565
31.4.1	Clock Domains.....	565
31.4.2	Prescaler.....	566
31.4.3	Counter.....	566
31.4.4	Input Capture Mode.....	569
31.4.5	Output Compare Mode.....	569
31.4.6	Edge-Aligned PWM (EPWM) Mode.....	571
31.4.7	Center-Aligned PWM (CPWM) Mode.....	572
31.4.8	Registers Updated from Write Buffers.....	574
31.4.9	DMA.....	575
31.4.10	Output triggers.....	575

Section number	Title	Page
31.4.11	Reset Overview.....	576
31.4.12	TPM Interrupts.....	576

Chapter 32 Periodic Interrupt Timer (PIT)

32.1	Introduction.....	577
32.1.1	Block diagram.....	577
32.1.2	Features.....	578
32.2	Signal description.....	578
32.3	Memory map/register description.....	579
32.3.1	PIT Module Control Register (PIT_MCR).....	579
32.3.2	PIT Upper Lifetime Timer Register (PIT_LTMR64H).....	580
32.3.3	PIT Lower Lifetime Timer Register (PIT_LTMR64L).....	581
32.3.4	Timer Load Value Register (PIT_LDVAL _n).....	581
32.3.5	Current Timer Value Register (PIT_CVAL _n).....	582
32.3.6	Timer Control Register (PIT_TCTRL _n).....	582
32.3.7	Timer Flag Register (PIT_TFLG _n).....	583
32.4	Functional description.....	584
32.4.1	General operation.....	584
32.4.2	Interrupts.....	585
32.4.3	Chained timers.....	586
32.5	Initialization and application information.....	586
32.6	Example configuration for chained timers.....	587
32.7	Example configuration for the lifetime timer.....	588

Chapter 33 Low-Power Timer (LPTMR)

33.1	Introduction.....	589
33.1.1	Features.....	589
33.1.2	Modes of operation.....	589

Section number	Title	Page
33.2	LPTMR signal descriptions.....	590
33.2.1	Detailed signal descriptions.....	590
33.3	Memory map and register definition.....	590
33.3.1	Low Power Timer Control Status Register (LPTMR _x _CSR).....	591
33.3.2	Low Power Timer Prescale Register (LPTMR _x _PSR).....	592
33.3.3	Low Power Timer Compare Register (LPTMR _x _CMR).....	594
33.3.4	Low Power Timer Counter Register (LPTMR _x _CNR).....	594
33.4	Functional description.....	595
33.4.1	LPTMR power and reset.....	595
33.4.2	LPTMR clocking.....	595
33.4.3	LPTMR prescaler/glitch filter.....	595
33.4.4	LPTMR compare.....	597
33.4.5	LPTMR counter.....	597
33.4.6	LPTMR hardware trigger.....	598
33.4.7	LPTMR interrupt.....	598

Chapter 34 Real Time Clock (RTC)

34.1	Introduction.....	599
34.1.1	Features.....	599
34.1.2	Modes of operation.....	599
34.1.3	RTC Signal Descriptions.....	599
34.2	Register definition.....	600
34.2.1	RTC Time Seconds Register (RTC_TSR).....	601
34.2.2	RTC Time Prescaler Register (RTC_TPR).....	601
34.2.3	RTC Time Alarm Register (RTC_TAR).....	602
34.2.4	RTC Time Compensation Register (RTC_TCR).....	602
34.2.5	RTC Control Register (RTC_CR).....	603
34.2.6	RTC Status Register (RTC_SR).....	605
34.2.7	RTC Lock Register (RTC_LR).....	606

Section number	Title	Page
34.2.8	RTC Interrupt Enable Register (RTC_IER).....	607
34.3	Functional description.....	608
34.3.1	Power, clocking, and reset.....	608
34.3.2	Time counter.....	609
34.3.3	Compensation.....	609
34.3.4	Time alarm.....	610
34.3.5	Update mode.....	611
34.3.6	Register lock.....	611
34.3.7	Interrupt.....	611

Chapter 35 Serial Peripheral Interface (SPI)

35.1	Introduction.....	613
35.1.1	Features.....	613
35.1.2	Modes of operation.....	614
35.1.3	Block diagrams.....	615
35.2	External signal description.....	617
35.2.1	SPSCK — SPI Serial Clock.....	618
35.2.2	MOSI — Master Data Out, Slave Data In.....	618
35.2.3	MISO — Master Data In, Slave Data Out.....	618
35.2.4	SS — Slave Select.....	618
35.3	Memory map/register definition.....	619
35.3.1	SPI Status Register (SPLx_S).....	619
35.3.2	SPI Baud Rate Register (SPLx_BR).....	623
35.3.3	SPI Control Register 2 (SPLx_C2).....	624
35.3.4	SPI Control Register 1 (SPLx_C1).....	625
35.3.5	SPI Match Register low (SPLx_ML).....	627
35.3.6	SPI match register high (SPLx_MH).....	628
35.3.7	SPI Data Register low (SPLx_DL).....	628
35.3.8	SPI data register high (SPLx_DH).....	629

Section number	Title	Page
35.3.9	SPI clear interrupt register (SPIx_CI).....	629
35.3.10	SPI control register 3 (SPIx_C3).....	631
35.4	Functional description.....	632
35.4.1	General.....	632
35.4.2	Master mode.....	633
35.4.3	Slave mode.....	634
35.4.4	SPI FIFO Mode.....	636
35.4.5	SPI Transmission by DMA.....	637
35.4.6	Data Transmission Length.....	640
35.4.7	SPI clock formats.....	641
35.4.8	SPI baud rate generation.....	644
35.4.9	Special features.....	644
35.4.10	Error conditions.....	646
35.4.11	Low-power mode options.....	647
35.4.12	Reset.....	648
35.4.13	Interrupts.....	649
35.5	Initialization/application information.....	651
35.5.1	Initialization sequence.....	651
35.5.2	Pseudo-Code Example.....	652

Chapter 36 Inter-Integrated Circuit (I2C)

36.1	Introduction.....	657
36.1.1	Features.....	657
36.1.2	Modes of operation.....	658
36.1.3	Block diagram.....	658
36.2	I2C signal descriptions.....	659
36.3	Memory map/register definition.....	659
36.3.1	I2C Address Register 1 (I2Cx_A1).....	660
36.3.2	I2C Frequency Divider register (I2Cx_F).....	661

Section number	Title	Page
36.3.3	I2C Control Register 1 (I2Cx_C1).....	662
36.3.4	I2C Status register (I2Cx_S).....	664
36.3.5	I2C Data I/O register (I2Cx_D).....	665
36.3.6	I2C Control Register 2 (I2Cx_C2).....	666
36.3.7	I2C Programmable Input Glitch Filter register (I2Cx_FLT).....	667
36.3.8	I2C Range Address register (I2Cx_RA).....	668
36.3.9	I2C SMBus Control and Status register (I2Cx_SMB).....	669
36.3.10	I2C Address Register 2 (I2Cx_A2).....	671
36.3.11	I2C SCL Low Timeout Register High (I2Cx_SLTH).....	671
36.3.12	I2C SCL Low Timeout Register Low (I2Cx_SLTL).....	671
36.4	Functional description.....	672
36.4.1	I2C protocol.....	672
36.4.2	10-bit address.....	677
36.4.3	Address matching.....	679
36.4.4	System management bus specification.....	679
36.4.5	Resets.....	682
36.4.6	Interrupts.....	682
36.4.7	Programmable input glitch filter.....	684
36.4.8	Address matching wakeup.....	685
36.4.9	DMA support.....	685
36.5	Initialization/application information.....	686

Chapter 37 Universal Asynchronous Receiver/Transmitter (UART0)

37.1	Introduction.....	691
37.1.1	Features.....	691
37.1.2	Modes of operation.....	692
37.1.3	Block diagram.....	692
37.2	Register definition.....	694
37.2.1	UART Baud Rate Register High (UARTx_BDH).....	695

Section number	Title	Page
37.2.2	UART Baud Rate Register Low (UARTx_BDL).....	696
37.2.3	UART Control Register 1 (UARTx_C1).....	696
37.2.4	UART Control Register 2 (UARTx_C2).....	698
37.2.5	UART Status Register 1 (UARTx_S1).....	699
37.2.6	UART Status Register 2 (UARTx_S2).....	701
37.2.7	UART Control Register 3 (UARTx_C3).....	703
37.2.8	UART Data Register (UARTx_D).....	704
37.2.9	UART Match Address Registers 1 (UARTx_MA1).....	705
37.2.10	UART Match Address Registers 2 (UARTx_MA2).....	706
37.2.11	UART Control Register 4 (UARTx_C4).....	706
37.2.12	UART Control Register 5 (UARTx_C5).....	707
37.3	Functional description.....	708
37.3.1	Baud rate generation.....	708
37.3.2	Transmitter functional description.....	709
37.3.3	Receiver functional description.....	710
37.3.4	Additional UART functions.....	714
37.3.5	Interrupts and status flags.....	715

Chapter 38

Universal Asynchronous Receiver/Transmitter (UART1 and UART2)

38.1	Introduction.....	717
38.1.1	Features.....	717
38.1.2	Modes of operation.....	717
38.1.3	Block diagram.....	718
38.2	Register definition.....	720
38.2.1	UART Baud Rate Register: High (UARTx_BDH).....	721
38.2.2	UART Baud Rate Register: Low (UARTx_BDL).....	721
38.2.3	UART Control Register 1 (UARTx_C1).....	722
38.2.4	UART Control Register 2 (UARTx_C2).....	723
38.2.5	UART Status Register 1 (UARTx_S1).....	725

Section number	Title	Page
38.2.6	UART Status Register 2 (UARTx_S2).....	726
38.2.7	UART Control Register 3 (UARTx_C3).....	728
38.2.8	UART Data Register (UARTx_D).....	730
38.2.9	UART Control Register 4 (UARTx_C4).....	730
38.3	Functional description.....	731
38.3.1	Baud rate generation.....	731
38.3.2	Transmitter functional description.....	732
38.3.3	Receiver functional description.....	734
38.3.4	Interrupts and status flags.....	737
38.3.5	Baud rate tolerance.....	738
38.3.6	DMA Operation.....	740
38.3.7	Additional UART functions.....	741

Chapter 39 Integrated Interchip Sound (I2S) / Synchronous Audio Interface (SAI)

39.1	Introduction.....	745
39.1.1	Features.....	745
39.1.2	Block diagram.....	745
39.1.3	Modes of operation.....	746
39.2	External signals.....	747
39.3	Memory map and register definition.....	747
39.3.1	SAI Transmit Control Register (I2Sx_TCSR).....	749
39.3.2	SAI Transmit Configuration 2 Register (I2Sx_TCR2).....	752
39.3.3	SAI Transmit Configuration 3 Register (I2Sx_TCR3).....	754
39.3.4	SAI Transmit Configuration 4 Register (I2Sx_TCR4).....	755
39.3.5	SAI Transmit Configuration 5 Register (I2Sx_TCR5).....	756
39.3.6	SAI Transmit Data Register (I2Sx_TDRn).....	757
39.3.7	SAI Transmit Mask Register (I2Sx_TMR).....	757
39.3.8	SAI Receive Control Register (I2Sx_RCSR).....	758
39.3.9	SAI Receive Configuration 2 Register (I2Sx_RCR2).....	761

Section number	Title	Page
39.3.10	SAI Receive Configuration 3 Register (I2Sx_RCR3).....	763
39.3.11	SAI Receive Configuration 4 Register (I2Sx_RCR4).....	764
39.3.12	SAI Receive Configuration 5 Register (I2Sx_RCR5).....	765
39.3.13	SAI Receive Data Register (I2Sx_RDRn).....	766
39.3.14	SAI Receive Mask Register (I2Sx_RMR).....	766
39.3.15	SAI MCLK Control Register (I2Sx_MCR).....	767
39.3.16	SAI MCLK Divide Register (I2Sx_MDR).....	768
39.4	Functional description.....	768
39.4.1	SAI clocking.....	769
39.4.2	SAI resets.....	770
39.4.3	Synchronous modes.....	771
39.4.4	Frame sync configuration.....	772
39.4.5	Data FIFO.....	773
39.4.6	Word mask register.....	774
39.4.7	Interrupts and DMA requests.....	775

Chapter 40 General-Purpose Input/Output (GPIO)

40.1	Introduction.....	777
40.1.1	Features.....	777
40.1.2	Modes of operation.....	777
40.1.3	GPIO signal descriptions.....	778
40.2	Memory map and register definition.....	779
40.2.1	Port Data Output Register (GPIOx_PDOR).....	781
40.2.2	Port Set Output Register (GPIOx_PSOR).....	782
40.2.3	Port Clear Output Register (GPIOx_PCOR).....	782
40.2.4	Port Toggle Output Register (GPIOx_PTOR).....	783
40.2.5	Port Data Input Register (GPIOx_PDIR).....	783
40.2.6	Port Data Direction Register (GPIOx_PDDR).....	784

Section number	Title	Page
40.3	Functional description.....	784
40.3.1	General-purpose input.....	784
40.3.2	General-purpose output.....	784

Chapter 41 Touch Sensing Input (TSI)

41.1	Introduction.....	787
41.1.1	Features.....	787
41.1.2	Modes of operation.....	787
41.1.3	Block diagram.....	788
41.2	External signal description.....	789
41.2.1	TSI[15:0].....	789
41.3	Register definition.....	789
41.3.1	TSI General Control and Status Register (TSIx_GENCS).....	789
41.3.2	TSI DATA Register (TSIx_DATA).....	794
41.3.3	TSI Threshold Register (TSIx_TSHD).....	795
41.4	Functional description.....	795
41.4.1	Capacitance measurement.....	796
41.4.2	TSI measurement result.....	799
41.4.3	Enable TSI module.....	799
41.4.4	Software and hardware trigger.....	799
41.4.5	Scan times.....	800
41.4.6	Clock setting.....	800
41.4.7	Reference voltage.....	800
41.4.8	Current source.....	801
41.4.9	End of scan.....	801
41.4.10	Out-of-range interrupt.....	801
41.4.11	Wake up MCU from low power modes.....	802
41.4.12	DMA function support.....	802

Section number	Title	Page
41.4.13	Noise detection mode.....	802

Chapter 42 LCD Controller (SLCD)

42.1	Introduction	809
42.1.1	Features.....	809
42.1.2	Modes of operation.....	810
42.1.3	Block diagram.....	811
42.2	LCD signal descriptions.....	812
42.2.1	LCD_P[63:0].....	813
42.2.2	VLL1, VLL2, VLL3.....	813
42.2.3	Vcap1, Vcap2.....	813
42.3	Memory map and register definition.....	813
42.3.1	LCD General Control Register (LCD_GCR).....	815
42.3.2	LCD Auxiliary Register (LCD_AR).....	819
42.3.3	LCD Fault Detect Control Register (LCD_FDCR).....	821
42.3.4	LCD Fault Detect Status Register (LCD_FDSR).....	823
42.3.5	LCD Pin Enable register (LCD_PEN n).....	824
42.3.6	LCD Back Plane Enable register (LCD_BPEN n).....	825
42.3.7	LCD Waveform register (LCD_WF3TO0).....	825
42.3.8	LCD Waveform register (LCD_WF7TO4).....	826
42.3.9	LCD Waveform register (LCD_WF11TO8).....	827
42.3.10	LCD Waveform register (LCD_WF15TO12).....	828
42.3.11	LCD Waveform register (LCD_WF19TO16).....	828
42.3.12	LCD Waveform register (LCD_WF23TO20).....	829
42.3.13	LCD Waveform register (LCD_WF27TO24).....	829
42.3.14	LCD Waveform register (LCD_WF31TO28).....	830
42.3.15	LCD Waveform register (LCD_WF35TO32).....	831
42.3.16	LCD Waveform register (LCD_WF39TO36).....	831
42.3.17	LCD Waveform register (LCD_WF43TO40).....	832

Section number	Title	Page
42.3.18	LCD Waveform register (LCD_WF47TO44).....	832
42.3.19	LCD Waveform register (LCD_WF51TO48).....	833
42.3.20	LCD Waveform register (LCD_WF55TO52).....	834
42.3.21	LCD Waveform register (LCD_WF59TO56).....	834
42.3.22	LCD Waveform register (LCD_WF63TO60).....	835
42.4	Functional description.....	835
42.4.1	LCD controller driver description.....	836
42.4.2	WFyTOx registers.....	845
42.4.3	LCD display modes.....	846
42.4.4	LCD charge pump and power supply operation.....	848
42.4.5	Resets.....	852
42.4.6	Interrupts.....	852
42.4.7	LCD display fault detect circuit (LFD).....	852
42.5	Initialization section.....	859
42.5.1	Initialization sequence.....	859
42.5.2	Initialization examples.....	860
42.6	Application information.....	863
42.6.1	LCD seven segment example description.....	864
42.6.2	LCD contrast control.....	867



Chapter 1

About This Document

1.1 Overview

1.1.1 Purpose

This document describes the features, architecture, and programming model of the Freescale microcontroller.

1.1.2 Audience

A reference manual is primarily for system architects and software application developers who are using or considering using a Freescale product in a system.

1.2 Conventions

1.2.1 Numbering systems

The following suffixes identify different numbering systems:

This suffix	Identifies a
b	Binary number. For example, the binary equivalent of the number 5 is written 101b. In some cases, binary numbers are shown with the prefix <i>0b</i> .
d	Decimal number. Decimal numbers are followed by this suffix only when the possibility of confusion exists. In general, decimal numbers are shown without a suffix.
h	Hexadecimal number. For example, the hexadecimal equivalent of the number 60 is written 3Ch. In some cases, hexadecimal numbers are shown with the prefix <i>0x</i> .

1.2.2 Typographic notation

The following typographic notation is used throughout this document:

Example	Description
<i>placeholder, x</i>	Items in italics are placeholders for information that you provide. Italicized text is also used for the titles of publications and for emphasis. Plain lowercase letters are also used as placeholders for single letters and numbers.
code	Fixed-width type indicates text that must be typed exactly as shown. It is used for instruction mnemonics, directives, symbols, subcommands, parameters, and operators. Fixed-width type is also used for example code. Instruction mnemonics and directives in text and tables are shown in all caps; for example, BSR.
SR[SCM]	A mnemonic in brackets represents a named field in a register. This example refers to the Scaling Mode (SCM) field in the Status Register (SR).
REVNO[6:4], XAD[7:0]	Numbers in brackets and separated by a colon represent either: <ul style="list-style-type: none"> • A subset of a register's named field For example, REVNO[6:4] refers to bits 6–4 that are part of the COREREV field that occupies bits 6–0 of the REVNO register. • A continuous range of individual signals of a bus For example, XAD[7:0] refers to signals 7–0 of the XAD bus.

1.2.3 Special terms

The following terms have special meanings:

Term	Meaning
asserted	Refers to the state of a signal as follows: <ul style="list-style-type: none"> • An active-high signal is asserted when high (1). • An active-low signal is asserted when low (0).
deasserted	Refers to the state of a signal as follows: <ul style="list-style-type: none"> • An active-high signal is deasserted when low (0). • An active-low signal is deasserted when high (1). <p>In some cases, deasserted signals are described as <i>negated</i>.</p>
reserved	Refers to a memory space, register, or field that is either reserved for future use or for which, when written to, the module or chip behavior is unpredictable.

Chapter 2

Introduction

2.1 Overview

Information found here provides an overview of the Kinetis L series of ARM[®] Cortex[®]-M0+ MCUs and KL36 product family. It also presents high-level descriptions of the modules available on the devices covered by this document.

2.1.1 Kinetis L series



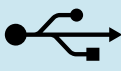


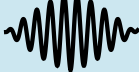


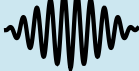
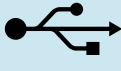

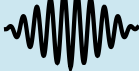

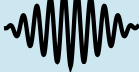
The Kinetis L series is the most scalable portfolio of ultra low-power, mixed-signal ARM[®] Cortex[®]-M0+ MCUs in the industry. The portfolio includes five MCU families that offer a broad range of memory, peripheral and package options. Kinetis L Series families share common peripherals and pin-counts allowing developers to migrate easily within an MCU family or between MCU families to take advantage of more memory or feature integration. This scalability allows developers to standardize on the Kinetis L Series for their end product platforms, maximising hardware and software reuse and reducing time-to-market.


Features common to all Kinetis L series families include:


- 48 MHz ARM Cortex-M0+ core
- High-speed 12/16-bit analog-to-digital converters
- 12-bit digital-to-analog converters for all series except for KLx4/KLx2 family
- High-speed analog comparators
- Low-power touch sensing with wake-up on touch from reduced power states for all series except for KLx4/KLx2 family
- Powerful timers for a broad range of applications including motor control
- Low-power focused serial communication interfaces such as low-power UART, SPI, I2C, and others.
- Single power supply: 1.71–3.6 V with multiple low-power modes support single operation temperature:
 - –40 ~ 105 °C (exclude WLCSP package)


Kinetis L series MCU families combine the latest low-power innovations with precision mixed-signal capability and a broad range of communication, connectivity, and human-machine interface peripherals. Each MCU family is supported by a market-leading enablement bundle from Freescale and numerous ARM third party ecosystem partners. The KL0x family is the entry-point to the Kinetis L series and is pin-compatible with the 8-bit S08PT family. The KL1x/2x/3x/4x families are compatible with each other and their equivalent ARM Cortex-M4 Kinetis K series families—K10/20/30/40.

The following figure depicts key features, memory and package options for Kinetis L series family of MCUs.

Family	Program Flash	Packages	Key Features
KL4x Family	128-256KB	64-121pin	   
KL3x Family	64-256KB	64-121pin	  
KL2x Family	32-256KB	32-121pin	  
KL1x Family	32-256KB	32-80pin	 
KL0x Family	8-32KB	16-48pin	 

 Low power

 Mixed signal

 USB


 Segment LCD

Figure 2-1. Kinetis L series families of MCU portfolio

All Kinetis L series families include a powerful array of analog, communication and timing and control peripherals with the level of feature integration increasing with flash memory size and the pin count. Features within the Kinetis L series families include:

- Core and architecture:
 - ARM Cortex-M0+ Core running up to 48 MHz with zero wait state execution from memories
 - Single-cycle access to I/O: Up to 50 percent faster than standard I/O, improves reaction time to external events allowing bit banging and software protocol emulation
 - Two-stage pipeline: Reduced number of cycles per instruction (CPI), enabling faster branch instruction and ISR entry, and reducing power consumption

- Excellent code density as compared to 8-bit and 16-bit MCUs: Reduces flash size, system, cost and power consumption
- Optimized access to program memory: Accesses on alternate cycles reduces power consumption.
- 100 percent compatible with ARM Cortex-M0 and a subset ARM Cortex-M3/M4: Reuse existing compilers and debug tools.
- Simplified architecture: 56 instructions and 17 registers enable easy programming and efficient packaging of 8/16/32-bit data in memory.
- Linear 4 GB address space removes the need for paging/banking, reducing software complexity.
- ARM third-party ecosystem support: Software and tools to help minimize development time/cost
- Micro Trace Buffer: Lightweight trace solution allows fast bug identification and correction.
- Bit Manipulation Engine (BME): BME reduces code size and cycles for bit-oriented operations to peripheral registers eliminating traditional methods where the core would need to perform read-modify-write operations.
- Up to 4-channel DMA for peripheral and memory servicing with minimal CPU intervention (feature not available on KL02 family)
- Ultra low-power:
 - Extreme dynamic efficiency: 32-bit ARM Cortex-M0+ core combined with Freescale 90 nm thin-film storage flash technology delivers 50% energy savings per Coremark in comparison to the closest 8/16-bit competitive solution.
 - Multiple flexible low-power modes, including new operation clocking option which reduces dynamic power by shutting off bus and system clocks for lowest power core processing. Peripherals with an alternate asynchronous clock source can continue operation.
 - UART, SPI, I2C, ADC, DAC, TPM, LPTMR, I2S and DMA support low-power mode operation without waking up the core (DMA is not available on KL02).
- Memory:
 - Scalable memory footprints from 8 KB flash / 1 KB SRAM to 256 KB flash / 32 KB SRAM
 - Embedded 64 B cache memory for optimizing bus bandwidth and flash execution performance (32 B cache on KL02 family)
- Mixed-signal analog:
 - Fast, high-precision 16-, or 12-bit ADC with optional differential pairs, 12-bit DAC, high-speed comparators.
 - Powerful signal conditioning, conversion, and analysis capability with reduced system cost (12-bit DAC not available on KL02 family)
- Human Machine Interface (HMI):

- Optional capacitive Touch Sensing Interface with full low-power support and minimal current adder when enabled
- Segment LCD controller
- Connectivity and communications:
 - Up to three UARTs:
 - All UARTs support DMA transfers, and can trigger when data on bus is detected;
 - UART0 supports 4x to 32x over sampling ratio;
 - Asynchronous transmit and receive operation for operating in STOP/VLPS modes.
 - Up to two SPIs
 - Up to two I²Cs
 - Full-speed USB OTG controller with on-chip transceiver
 - 3.3–5 V USB on-chip regulator
 - Up to one I²S
- Reliability, safety, and security:
 - Internal watchdog with independent clock source
- Timing and control:
 - Powerful timer modules which support general-purpose, PWM, and motor control functions
 - Periodic Interrupt Timer for RTOS task scheduler time base or trigger source for ADC conversion and timer modules
- System:
 - GPIO with pin interrupt functionality
 - Wide operating voltage range from 1.71 V to 3.6 V with flash programmable down to 1.71 V with fully functional flash and analog peripherals
 - Ambient operating temperature ranges from –40 °C to 85 °C for WLCSP package and 105 °C for all the other packages

2.1.2 KL36 sub-family introduction

The device is highly-integrated, market leading ultra low-power 32-bit microcontroller based on the enhanced Cortex-M0+ (CM0+) core platform. The features of the KL0x family derivatives are as follows.

- Core platform clock up to 48 MHz, bus clock up to 24 MHz
- Memory option is up to 256 KB Flash and 32 KB RAM
- Wide operating voltage ranges from 1.71–3.6 V with fully functional flash program/erase/read operations
- Multiple package options from 64-pin to 121-pin
- Ambient operating temperature ranges from –40 °C to 105 °C.

The family acts as an ultra low-power, cost-effective microcontroller to provide developers an appropriate entry-level 32-bit solution. The family is the next-generation MCU solution for low-cost, low-power, high-performance devices applications. It's valuable for cost-sensitive, portable applications requiring long battery life-time.

2.2 Module functional categories

The modules on this device are grouped into functional categories. Information found here describes the modules assigned to each category in more detail.

Table 2-1. Module functional categories

Module category	Description
ARM Cortex-M0+ core	<ul style="list-style-type: none"> 32-bit MCU core from ARM's Cortex-M class, 1.77 CoreMark®/MHz from single-cycle access memories, 48 MHz CPU frequency
System	<ul style="list-style-type: none"> System integration module Power management and mode controllers <ul style="list-style-type: none"> Multiple power modes available based on run, wait, stop, and power-down modes Miscellaneous control module Low-leakage wakeup unit Peripheral bridge Direct memory access (DMA) controller with multiplexer to increase available DMA requests COP watchdog
Memories	<ul style="list-style-type: none"> Internal memories include: <ul style="list-style-type: none"> Up to 256 KB flash memory Up to 32 KB SRAM
Clocks	<ul style="list-style-type: none"> Multiple clock generation options available from internally- and externally-generated clocks <ul style="list-style-type: none"> MCG module with FLL and PLL for systems and CPU clock sources Low power 1 kHz RC oscillator for RTC and COP watchdog System oscillator to provide clock source for the MCU
Security	<ul style="list-style-type: none"> COP watchdog timer (COP)
Analog	<ul style="list-style-type: none"> 16-bit analog-to-digital converters with DMA supported and four muxed differential pairs Comparator (CMP) with internal 6-bit digital-to-analog converter (DAC) 12-bit DAC with DMA support and two 16-bit data buffer
Timers	<ul style="list-style-type: none"> One 6-channel TPM Two 2-channel TPMs 2-channel periodic interrupt timer Real time clock Low-power timer System tick timer
Communications	<ul style="list-style-type: none"> Two serial peripheral interface Two inter-integrated circuit (I²C) modules One low power UART module
Human-Machine Interfaces (HMI)	<ul style="list-style-type: none"> General purpose input/output controller Capacitive touch sense input interface enabled in hardware

2.2.1 ARM Cortex-M0+ core modules

The following core modules are available on this device.

Table 2-2. Core modules

Module	Description
ARM Cortex-M0+	The ARM Cortex-M0+ is the newest member of the Cortex M Series of processors targeting microcontroller applications focused on very cost sensitive, deterministic, interrupt driven environments. The Cortex M0+ processor is based on the ARMv6 Architecture and Thumb@-2 ISA and is 100% instruction set compatible with its predecessor, the Cortex-M0 core, and upward compatible to Cortex-M3 and M4 cores.
NVIC	The ARMv6-M exception model and nested-vector interrupt controller (NVIC) implement a relocatable vector table supporting many external interrupts, a single non-maskable interrupt (NMI), and priority levels. The NVIC replaces shadow registers with equivalent system and simplified programmability. The NVIC contains the address of the function to execute for a particular handler. The address is fetched via the instruction port allowing parallel register stacking and look-up. The first sixteen entries are allocated to ARM internal sources with the others mapping to MCU-defined interrupts.
AWIC	The primary function of the Asynchronous Wake-up Interrupt Controller (AWIC) is to detect asynchronous wake-up events in stop modes and signal to clock control logic to resume system clocking. After clock restart, the NVIC observes the pending interrupt and performs the normal interrupt or event processing.
Single-cycle I/O Port	For high-speed, single-cycle access to peripherals, the Cortex-M0+ processor implements a dedicated single-cycle I/O port.
Debug interfaces	Most of this device's debug is based on the ARM CoreSight™ architecture. One debug interface is supported: <ul style="list-style-type: none"> Serial Wire Debug (SWD)

2.2.2 System modules

The following system modules are available on this device.

Table 2-3. System modules

Module	Description
System integration module (SIM)	The SIM includes integration logic and several module configuration settings.
System mode controller (SMC)	The SMC provides control and protection on entry and exit to each power mode, control for the power management controller (PMC), and reset entry and exit for the complete MCU.
Power management controller (PMC)	The PMC provides the user with multiple power options. Multiple modes are supported that allow the user to optimize power consumption for the level of functionality needed. Includes power-on-reset (POR) and integrated low voltage detect (LVD) with reset (brownout) capability and selectable LVD trip points.

Table continues on the next page...

Table 2-3. System modules (continued)

Module	Description
Miscellaneous control module (MCM)	The MCM includes integration logic and details.
Crossbar switch lite (AXBS-Lite)	The AXBS connects bus masters and bus slaves, allowing all bus masters to access different bus slaves simultaneously and providing arbitration among the bus masters when they access the same slave.
Low-leakage wakeup unit (LLWU)	The LLWU module allows the device to wake from low leakage power modes (LLS and VLLS) through various internal peripheral and external pin sources.
Peripheral bridge (AIPS-Lite)	The peripheral bridge converts the crossbar switch interface to an interface to access a majority of peripherals on the device.
DMA multiplexer (DMAMUX)	The DMA multiplexer selects from many DMA requests down to 4 for the DMA controller.
Direct memory access (DMA) controller	The DMA controller provides programmable channels with transfer control descriptors for data movement via dual-address transfers for 8-, 16- and 32-bit data values.
Computer operating properly watchdog (WDOG)	The WDOG monitors internal system operation and forces a reset in case of failure. It can run from an independent 1 kHz low power oscillator with a programmable refresh window to detect deviations in program flow or system frequency.

2.2.3 Memories and memory interfaces

The following memories and memory interfaces are available on this device.

Table 2-4. Memories and memory interfaces

Module	Description
Flash memory	Program flash memory — up to 256 KB of the non-volatile flash memory that can execute program code
Flash memory controller	Manages the interface between the device and the on-chip flash memory.
SRAM	Up to 32 KB internal system RAM.

2.2.4 Clocks

The following clock modules are available on this device.

Table 2-5. Clock modules

Module	Description
Multipurpose Clock Generator (MCG)	MCG module containing a frequency-locked-loop (FLL) and phase-locked-loop (PLL) controlled by internal or external reference oscillator.
System oscillator (OSC)	The system oscillator, in conjunction with an external crystal or resonator, generates a reference clock for the MCU.

2.2.5 Security and integrity modules

The following security and integrity modules are available on this device:

Table 2-6. Security and integrity modules

Module	Description
Watchdog timer (WDOG)	Watchdog timer keeps a watch on the system functioning and resets it in case of its failure.

2.2.6 Analog modules

The following analog modules are available on this device:

Table 2-7. Analog modules

Module	Description
Analog-to-digital converters (ADC)	16-bit successive-approximation ADC module.
Analog comparators	One comparator that compares two analog input voltages across the full range of the supply voltage and can trigger an ADC acquisition, TPM update, or CPU interrupt.
6-bit digital-to-analog converters (DAC)	64-tap resistor ladder network which provides a selectable voltage reference for comparator.
12-bit digital-to-analog converters (DAC)	Low-power general-purpose DAC, whose output can be placed on an external pin or set as one of the inputs to the analog comparator or ADC.

2.2.7 Timer modules

The following timer modules are available on this device:

Table 2-8. Timer modules

Module	Description
Timer/PWM module (TPM)	<ul style="list-style-type: none"> • Selectable TPM clock mode • Prescaler divide-by 1, 2, 4, 8, 16, 32, 64, or 128 • 16-bit free-running counter or modulo counter with counting be up or up-down • Six configurable channels for input capture, output compare, or edge-aligned PWM mode • Support the generation of an interrupt and/or DMA request per channel • Support the generation of an interrupt and/or DMA request when the counter overflows • Support selectable trigger input to optionally reset or cause the counter to start incrementing. • Support the generation of hardware triggers when the counter overflows and per channel
Periodic interrupt timers (PIT)	<ul style="list-style-type: none"> • One general purpose interrupt timer • Interrupt timers for triggering ADC conversions • 32-bit counter resolution • Clocked by bus clock frequency • DMA support
Low power timer (LPTMR)	<ul style="list-style-type: none"> • 16-bit time counter or pulse counter with compare • Configurable clock source for prescaler/glitch filter • Configurable input source for pulse counter
Real-time counter (RTC)	<ul style="list-style-type: none"> • 16-bit up-counter <ul style="list-style-type: none"> • 16-bit modulo match limit • Software controllable periodic interrupt on match • Software selectable clock sources for input to prescaler with programmable 16-bit prescaler <ul style="list-style-type: none"> • XOSC 32.678 kHz nominal • LPO (~1 kHz) • External RTC_CLKIN

2.2.8 Communication interfaces

The following communication interfaces are available on this device:

Table 2-9. Communication modules

Module	Description
Serial peripheral interface (SPI)	Synchronous serial bus for communication to an external device
Inter-integrated circuit (I2C)	Allows communication between a number of devices. Also supports the System Management Bus (SMBus) Specification, version 2.
Universal asynchronous receiver/transmitters (UART)	One low power UART module that retains functional in stop modes.
I2S	The I ² S is a full-duplex, serial port that allows the chip to communicate with a variety of serial devices, such as standard codecs, digital signal processors (DSPs), microprocessors, peripherals, and audio codecs that implement the inter-IC sound bus (I ² S) and the Intel [®] AC97 standards

2.2.9 Human-machine interfaces

The following human-machine interfaces (HMI) are available on this device:

Table 2-10. HMI modules

Module	Description
General purpose input/output (GPIO)	Some general purpose input or output (GPIO) pins are capable of interrupt and DMA request generation.
Capacitive touch sense input (TSI)	Contains up to 16 channel inputs for capacitive touch sensing applications. Operation is available in low-power modes via interrupts.
Segment LCD controller	Generates the appropriate waveforms to drive multiplexed numeric, alpha-numeric, or custom LCD panels. Supports 3V LCD panels.

2.3 Orderable part numbers

The following table summarizes the part numbers of the devices covered by this document.

Table 2-11. Orderable part numbers summary

Freescall part number	CPU frequency	Pin count	Package	Total flash memory	RAM	Temperature range
MKL36Z64VLH4	48 MHz	64	LQFP	64 KB	8 KB	-40 to 105 °C
MKL36Z128VLH4	48 MHz	64	LQFP	128 KB	16 KB	-40 to 105 °C
MKL36Z256VLH4	48 MHz	64	LQFP	256 KB	32 KB	-40 to 105 °C
MKL36Z256VMP4	48 MHz	64	MAPBGA	256 KB	32 KB	-40 to 105 °C
MKL36Z64VLL4	48 MHz	100	LQFP	64 KB	8 KB	-40 to 105 °C
MKL36Z128VLL4	48 MHz	100	LQFP	128 KB	16 KB	-40 to 105 °C
MKL36Z256VLL4	48 MHz	100	LQFP	256 KB	32 KB	-40 to 105 °C
MKL36Z128VMC4	48 MHz	121	BGA	128 KB	16 KB	-40 to 105 °C
MKL36Z256VMC4	48 MHz	121	BGA	256 KB	32 KB	-40 to 105 °C

Chapter 3

Chip Configuration

3.1 Introduction

Information found here provides details on the individual modules of the microcontroller.

It includes:

- Module block diagrams showing immediate connections within the device
- Specific module-to-module interactions not necessarily discussed in the individual module chapters
- Links for more information

3.2 Module to module interconnects

3.2.1 Interconnection overview

The following table captures the module to module interconnections for this device.

Table 3-1. Module-to-module interconnects

Peripheral	Signal	—	to Peripheral	Use Case	Control	Comment
TPM1	CH0F, CH1F	to	ADC (Trigger)	ADC Triggering (A AND B)	SOPT7_ADICALTTRG EN = 0	Ch0 is A, and Ch1 is B, selecting this ADC trigger is for supporting A and B triggering. In Stop and VLPS modes, the second trigger must be set to >10 μ s after the first trigger
LPTMR	Hardware trigger	to	ADC (Trigger)	ADC Triggering (A or B)	SOPT7_ADC0TRGSEL (4-bit field), ADC0PRETRGSEL to select A or B	—

Table continues on the next page...

Table 3-1. Module-to-module interconnects (continued)

Peripheral	Signal	—	to Peripheral	Use Case	Control	Comment
TPMx	TOF	to	ADC (Trigger)	ADC Triggering (A or B)	SOPT7_ADC0TRGSEL (4-bit field), SOPT7_ADC0PRETRGSEL to select A or B	—
PIT CHx	TIF0, TIF1	to	ADC (Trigger)	ADC Triggering (A or B)	SOPT7_ADC0TRGSEL (4-bit field), ADC0PRETRGSEL to select A or B	—
RTC	ALARM or SECONDS	to	ADC (Trigger)	ADC Triggering (A or B)	SOPT7_ADC0TRGSEL (4-bit field) ADC0PRETRGSEL to select A or B	—
EXTRG_IN	EXTRG_IN	to	ADC (Trigger)	ADC Triggering (A or B)	SOPT7_ADC0TRGSEL (4-bit field) ADC0PRETRGSEL to select A or B	—
CMP0	CMP0_OUT	to	ADC (Trigger)	ADC Triggering (A or B)	SOPT7_ADC0TRGSEL (4-bit field) ADC0PRETRGSEL to select A or B	—
CMP0	CMP0_OUT	to	LPTMR_ALT0	Count CMP events	LPTMR_CSR[TPS]	—
CMP0	CMP0_OUT	to	TPM1 CH0	Input capture	SOPT4_TPM1CH0SRC	—
CMP0	CMP0_OUT	to	TPM2 CH0	Input capture	SOPT4_TPM2CH0SRC	—
CMP0	CMP0_OUT	to	UART0_RX	IR interface	SOPT5_UART0RXSRC	—
CMP0	CMP0_OUT	to	UART1_RX	IR Interface	SOPT5_UART1SRC	—
LPTMR	Hardware trigger	to	CMPx	Low power triggering of the comparator	CMP_CR1[TRIGM]	—
LPTMR	Hardware trigger	to	TPMx	TPM Trigger input	TPMx_CONF[TRGSEL] (4 bit field)	—
TPMx	TOF	to	TPMx	TPM Trigger input	TPMx_CONF[TRGSEL] (4-bit field)	—
TPM1	Timebase	to	TPMx	TPM Global timebase input	TPMx_CONF[GTBEE N]	—
PIT CHx	TIF0, TIF1	to	TPMx	TPM Trigger input	TPMx_CONF[TRGSEL] (4-bit field)	If PIT is triggering the TPM, the TPM clock must be faster than Bus clock.
RTC	ALARM or SECONDS	to	TPMx	TPM Trigger input	TPMx_CONF[TRGSEL] (4-bit field)	—
EXTRG_IN	EXTRG_IN	to	TPMx	TPM Trigger input	TPMx_CONF[TRGSEL] (4-bit field)	—

Table continues on the next page...

Table 3-1. Module-to-module interconnects (continued)

Peripheral	Signal	—	to Peripheral	Use Case	Control	Comment
CMP0	CMP0_OUT	to	TPMx	TPM Trigger input	TPMx_CONF[TRGSEL] (4-bit field)	—
LPTMR	Hardware trigger	to	TSI	TSI triggering	TSI selects HW trigger	—
UART0	UART0_TX	to	Modulated by TPM1 CH0	UART modulation	SOPT5_UART0TXSRC	
UART0	UART0_TX	to	Modulated by TPM2 CH0	UART modulation	SOPT5_UART0TXSRC	
UART1	UART1_TX	to	Modulated by TPM1 CH0	UART modulation	SOPT5_UART1TXSRC	
UART1	UART1_TX	to	Modulated by TPM2 CH0	UART modulation	SOPT5_UART1TXSRC	
PIT	TIF0	to	DAC	Advance DAC FIFO	DAC HWTRG Select	—
PIT	TIF0	to	DMA CH0	DMA HW Trigger	DMA MUX register option	—
PIT	TIF1	to	DMA CH1	DMA HW Trigger	DMA MUX register option	—

3.2.2 Analog reference options

Several analog blocks have selectable reference voltages as shown in [Table 3-2](#). These options allow analog peripherals to share or have separate analog references. Care should be taken when selecting analog references to avoid cross talk noise.

Table 3-2. Analog reference options

Module	Reference option	Comment/ Reference selection
16-bit SAR ADC	1 - VREFH 2 - VDDA 3 - Reserved	Selected by ADCx_SC2[REFSEL]
12-bit DAC	1 - VREFH 2 - VDDA ¹	Selected by DACx_C0[DACRFS] bit
CMP with 6-bit DAC	Vin1 - VREFH Vin2 - VDD ¹	Selected by CMPx_DACCR[VRSEL]

1. Use this option for the best ADC operation.

3.3 Core modules

3.3.1 ARM Cortex-M0+ core configuration

This section summarizes how the module has been configured in the chip. Full documentation for this module is provided by ARM and can be found at arm.com.

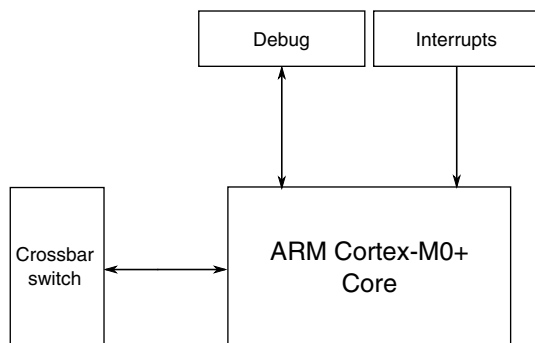


Figure 3-1. Core configuration

Table 3-3. Reference links to related information

Topic	Related module	Reference
Full description	ARM Cortex-M0+ core, r0p0	ARM Cortex-M0+ Technical Reference Manual, r0p0
System memory map		System memory map
Clocking		Clock distribution
Power management		Power management
System/instruction/data bus module	Crossbar switch	Crossbar switch
Debug	Serial wire debug (SWD)	Debug
Interrupts	Nested vectored interrupt controller (NVIC)	NVIC
	Miscellaneous control module (MCM)	MCM

3.3.1.1 ARM Cortex M0+ core

The ARM Cortex M0+ parameter settings are as follows:

Table 3-4. ARM Cortex-M0+ parameter settings

Parameter	Verilog name	Value	Description
Arch Clock Gating	ACG	1 = Present	Implements architectural clock gating
DAP Slave Port Support	AHBSLV	1	Supports any AHB debug access port (like the CM4 DAP)
DAP ROM Table Base	BASEADDR	0xF000_2003	Base address for DAP ROM table
Endianness	BE	0	Little endian control for data transfers
Breakpoints	BKPT	2	Implements 2 breakpoints
Debug Support	DBG	1 = Present	—
Halt Event Support	HALTEV	1 = Present	—
I/O Port	IOP	1 = Present	Implements single-cycle ld/st accesses to special address space
IRQ Mask Enable	IRQDIS	0x00000000	Assume (for now) all 32 IRQs are used (set if IRQ is disabled)
Debug Port Protocol	JTAGnSW	0 = SWD	SWD protocol, not JTAG
Core Memory Protection	MPU	0 = Absent	No MPU
Number of IRQs	NUMIRQ	32	Assume full NVIC request vector
Reset all registers	RAR	0 = Standard	Do not force all registers to be async reset
Multiplier	SMUL	0 = Fast Mul	Implements single-cycle multiplier
Multi-drop Support	SWMD	0 = Absent	Do not include serial wire support for multi-drop
System Tick Timer	SYST	1 = Present	Implements system tick timer (for CM4 compatibility)
DAP Target ID	TARGETID	0	—
User/Privileged	USER	1 = Present	Implements processor operating modes
Vector Table Offset Register	VTOR	1 = Present	Implements relocation of exception vector table
WIC Support	WIC	1 = Present	Implements WIC interface
WIC Requests	WICLINES	34	Exact number of wake-up IRQs is 34
Watchpoints	WPT	2	Implements two watchpoints

For details on the ARM Cortex-M0+ processor core, see the ARM website: arm.com.

3.3.1.2 Buses, interconnects, and interfaces

The ARM Cortex-M0+ core has two bus interfaces:

- Single 32-bit AMBA-3 AHB-Lite system interface that provides connections to peripherals and all system memory, which includes flash memory and RAM
- Single 32-bit I/O port bus interfacing to the GPIO with 1-cycle loads and stores

3.3.1.3 System tick timer

The CLKSOURCE field in SysTick Control and Status register selects either the core clock (when CLKSOURCE = 1) or a divide-by-16 of the core clock (when CLKSOURCE = 0). Because the timing reference is a variable frequency, the TENMS field in the SysTick Calibration Value Register is always 0.

3.3.1.4 Debug facilities

This device supports standard ARM 2-pin SWD debug port.

3.3.1.5 Core privilege levels

The core on this device is implemented with both privileged and unprivileged levels. The ARM documentation uses different terms than this document to distinguish between privilege levels.

If you see this term...	it also means this term...
Privileged	Supervisor
Unprivileged or user	User

3.3.2 Nested vectored interrupt controller (NVIC) configuration

This section summarizes how the module has been configured in the chip. Full documentation for this module is provided by ARM and can be found at arm.com.

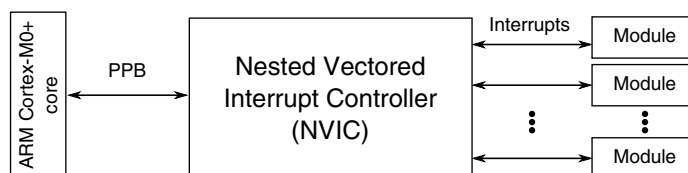


Figure 3-2. NVIC configuration

Table 3-5. Reference links to related information

Topic	Related module	Reference
Full description	Nested vectored interrupt controller (NVIC)	ARM Cortex-M0+ Technical Reference Manual
System memory map	—	System memory map
Clocking	—	Clock distribution

Table continues on the next page...

Table 3-5. Reference links to related information (continued)

Topic	Related module	Reference
Power management	—	Power management
Private peripheral bus (PPB)	ARM Cortex-M0+ core	ARM Cortex-M0+ core

3.3.2.1 Interrupt priority levels

This device supports four priority levels for interrupts. Therefore, in the NVIC, each source in the IPR registers contains two bits. For example, IPR0 is shown below:

	31	30	29	28	27	26	25	24	23	22	21	20	19	18	17	16	15	14	13	12	11	10	9	8	7	6	5	4	3	2	1	0
R	IRQ3	0	0	0	0	0	0	IRQ2	0	0	0	0	0	0	IRQ1	0	0	0	0	0	0	IRQ0	0	0	0	0	0	0	0			
W																																

3.3.2.2 Non-maskable interrupt

The non-maskable interrupt request to the NVIC is controlled by the external $\overline{\text{NMI}}$ signal. The pin the $\overline{\text{NMI}}$ signal is multiplexed on, must be configured for the $\overline{\text{NMI}}$ function to generate the non-maskable interrupt request.

3.3.2.3 Interrupt channel assignments

The interrupt vector assignments are defined in the following table.

- Vector number — the value stored on the stack when an interrupt is serviced.
- IRQ number — non-core interrupt source count, which is the vector number minus 16.

The IRQ number is used within ARM's NVIC documentation.

NOTE

The NVIC wake-up sources in the following table support only down to VLPS.

Table 3-7. Interrupt vector assignments

Address	Vector	IRQ ¹	NVIC IPR register number ²	Source module	Source description
ARM core system handler vectors					
0x0000_0000	0	—	—	ARM core	Initial stack pointer
0x0000_0004	1	—	—	ARM core	Initial program counter
0x0000_0008	2	—	—	ARM core	Non-maskable interrupt (NMI)
0x0000_000C	3	—	—	ARM core	Hard fault
0x0000_0010	4	—	—	—	—
0x0000_0014	5	—	—	—	—
0x0000_0018	6	—	—	—	—
0x0000_001C	7	—	—	—	—
0x0000_0020	8	—	—	—	—
0x0000_0024	9	—	—	—	—
0x0000_0028	10	—	—	—	—
0x0000_002C	11	—	—	ARM core	Supervisor call (SVCall)
0x0000_0030	12	—	—	—	—
0x0000_0034	13	—	—	—	—
0x0000_0038	14	—	—	ARM core	Pendable request for system service (PendableSrvReq)
0x0000_003C	15	—	—	ARM core	System tick timer (SysTick)
Non-Core Vectors					
0x0000_0040	16	0	0	DMA	DMA channel 0 transfer complete and error
0x0000_0044	17	1	0	DMA	DMA channel 1 transfer complete and error
0x0000_0048	18	2	0	DMA	DMA channel 2 transfer complete and error
0x0000_004C	19	3	0	DMA	DMA channel 3 transfer complete and error
0x0000_0050	20	4	1	—	—
0x0000_0054	21	5	1	FTFA	Command complete and read collision
0x0000_0058	22	6	1	PMC	Low-voltage detect, low-voltage warning
0x0000_005C	23	7	1	LLWU	Low Leakage Wakeup
0x0000_0060	24	8	2	I ² C0	—
0x0000_0064	25	9	2	I ² C1	—
0x0000_0068	26	10	2	SPI0	Single interrupt vector for all sources
0x0000_006C	27	11	2	SPI1	Single interrupt vector for all sources
0x0000_0070	28	12	3	UART0	Status and error
0x0000_0074	29	13	3	UART1	Status and error
0x0000_0078	30	14	3	UART2	Status and error
0x0000_007C	31	15	3	ADC0	—
0x0000_0080	32	16	4	CMP0	—
0x0000_0084	33	17	4	TPM0	—
0x0000_0088	34	18	4	TPM1	—

Table continues on the next page...

Table 3-7. Interrupt vector assignments (continued)

Address	Vector	IRQ ¹	NVIC IPR register number ²	Source module	Source description
0x0000_008C	35	19	4	TPM2	—
0x0000_0090	36	20	5	RTC	Alarm interrupt
0x0000_0094	37	21	5	RTC	Seconds interrupt
0x0000_0098	38	22	5	PIT	Single interrupt vector for all channels
0x0000_009C	39	23	5	I ² S0	Single interrupt vector for all sources
0x0000_00A0	40	24	6	—OTG	—
0x0000_00A4	41	25	6	DAC0	—
0x0000_00A8	42	26	6	TSI0	—
0x0000_00AC	43	27	6	MCG	—
0x0000_00B0	44	28	7	LPTMR0	—
0x0000_00B4	45	29	7	SLCD	—
0x0000_00B8	46	30	7	Port control module	Pin detect (Port A)
0x0000_00BC	47	31	7	Port control module	Pin detect (Single interrupt vector for Port C and Port D)

1. Indicates the NVIC's interrupt source number.

2. Indicates the NVIC's IPR register number used for this IRQ. The equation to calculate this value is: $IRQ \div 4$

3.3.2.3.1 Determining the bitfield and register location for configuring a particular interrupt

Suppose you need to configure the SPI0 interrupt. The following table is an excerpt of the SPI0 row from [Interrupt priority levels](#).

Table 3-8. Interrupt vector assignments

Address	Vector	IRQ ¹	NVIC IPR register number ²	Source module	Source description
0x0000_0068	26	10	2	SPI0	Single interrupt vector for all sources

1. Indicates the NVIC's interrupt source number.

2. Indicates the NVIC's IPR register number used for this IRQ. The equation to calculate this value is: $IRQ \div 4$.

- The NVIC registers you would use to configure the interrupt are:
 - NVICIPR2
- To determine the particular IRQ's field location within these particular registers:
 - NVICIPR2 field starting location = $8 * (IRQ \bmod 4) + 6 = 22$

Since the NVICIPR fields are 2-bit wide (4 priority levels), the NVICIPR2 field range is 22–23.

Therefore, the following field locations are used to configure the SPI0 interrupts:

- NVICIPR2[23:22]

3.3.3 Asynchronous wake-up interrupt controller (AWIC) configuration

This section summarizes how the module has been configured in the chip. Full documentation for this module is provided by ARM and can be found at arm.com.

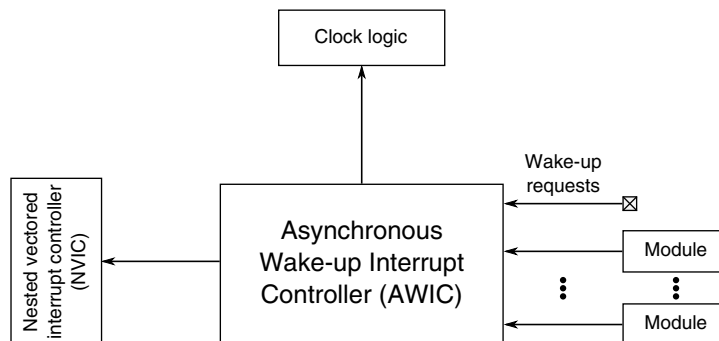


Figure 3-3. Asynchronous wake-up interrupt controller configuration

Table 3-9. Reference links to related information

Topic	Related module	Reference
System memory map	—	System memory map
Clocking	—	Clock distribution
Power management	—	Power management
	Nested vectored interrupt controller (NVIC)	NVIC
Wake-up requests	—	AWIC wake-up sources

3.3.3.1 Wake-up sources

The device uses the following internal and external inputs to the AWIC module.

Table 3-10. AWIC stop wake-up sources

Wake-up source	Description
Available system resets	RESET_b pin when LPO is its clock source
Low-voltage detect	Power management controller—functional in Stop mode
Low-voltage warning	Power management controller—functional in Stop mode

Table continues on the next page...

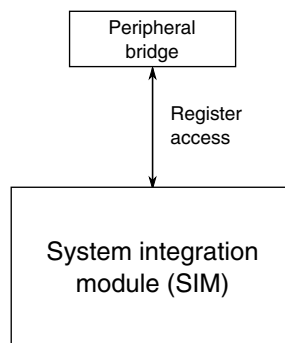
Table 3-10. AWIC stop wake-up sources (continued)

Wake-up source	Description
Pin interrupts	Port control module—any enabled pin interrupt is capable of waking the system.
ADC	The ADC is functional when using internal clock source.
CMP0	Interrupt in normal or trigger mode
I ² Cx	Address match wakeup
UART0	Any interrupt provided clock remains enabled.
UART1 and UART2	Active edge on RXD
RTC	Alarm or seconds interrupt
TSI	Any interrupt
NMI	NMI_5 pin
TPMx	Any interrupt provided clock remains enabled.
LPTMR	Any interrupt provided clock remains enabled.
SPI	Slave mode interrupt

3.4 System modules

3.4.1 SIM configuration

This section summarizes how the module has been configured in the chip. For a comprehensive description of the module itself, see the module's dedicated chapter.

**Figure 3-4. SIM configuration****Table 3-11. Reference links to related information**

Topic	Related module	Reference
Full description	SIM	SIM
System memory map	—	System memory map
Clocking	—	Clock distribution
Power management	—	Power management

3.4.2 System mode controller (SMC) configuration

This section summarizes how the module has been configured in the chip. For a comprehensive description of the module itself, see the module's dedicated chapter.

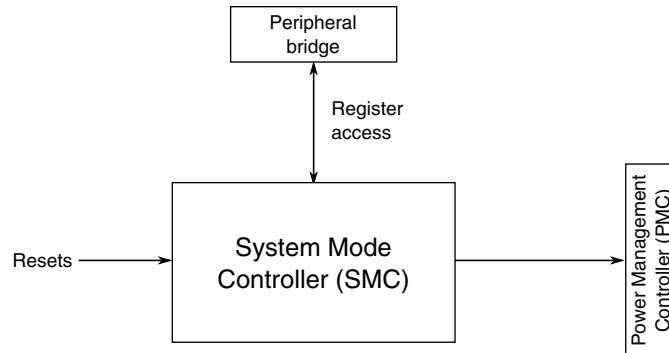


Figure 3-5. System mode controller configuration

Table 3-12. Reference links to related information

Topic	Related module	Reference
Full description	System mode controller (SMC)	SMC
System memory map	—	System memory map
Power management	—	Power management
—	Power management controller (PMC)	PMC
—	Low-leakage wakeup unit (LLWU)	LLWU
—	Reset control module (RCM)	Reset

3.4.2.1 VLLS2 not supported

VLLS2 power mode is not supported on this device.

3.4.3 PMC configuration

This section summarizes how the module has been configured in the chip. For a comprehensive description of the module itself, see the module's dedicated chapter.

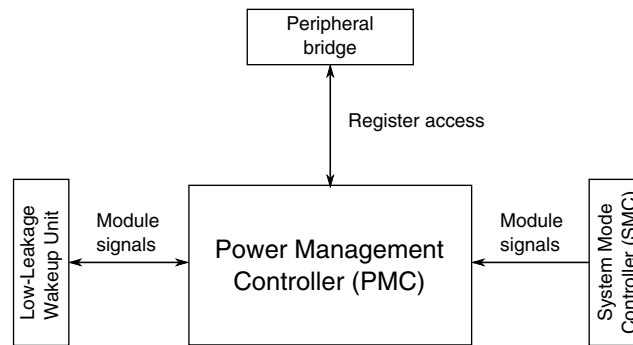


Figure 3-6. PMC configuration

Table 3-13. Reference links to related information

Topic	Related module	Reference
Full description	PMC	PMC
System memory map	—	System memory map
Power management	—	Power management
Full description	System mode controller (SMC)	System Mode Controller
	Low-leakage wakeup unit (LLWU)	LLWU
—	Reset control module (RCM)	Reset

3.4.4 Low-Leakage Wake-up Unit (LLWU) Configuration

This section summarizes how the module has been configured in the chip. For a comprehensive description of the module itself, see the module's dedicated chapter.

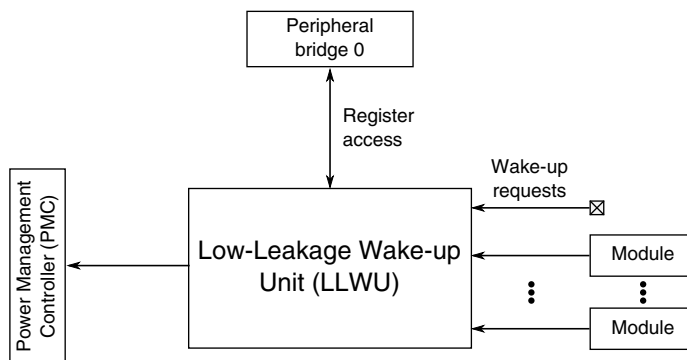


Figure 3-7. Low-Leakage Wake-up Unit configuration

Table 3-14. Reference links to related information

Topic	Related module	Reference
Full description	LLWU	LLWU
System memory map		System memory map
Clocking		Clock distribution
Power management		Power management chapter
	Power Management Controller (PMC)	Power Management Controller (PMC)
	System Mode Controller (SMC)	System Mode Controller
Wake-up requests		LLWU wake-up sources

3.4.4.1 LLWU interrupt

NOTE

Do not mask the LLWU interrupt when in LLS mode. Masking the interrupt prevents the device from exiting stop mode when a wakeup is detected.

3.4.4.2 Wake-up Sources

The device uses the following internal peripheral and external pin inputs as wakeup sources to the LLWU module. LLWU_Px are external pin inputs, and LLWU_M0IF-M7IF are connections to the internal peripheral interrupt flags.

NOTE

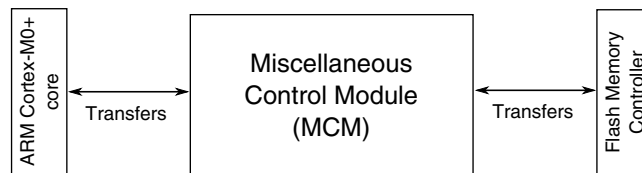
In addition to the LLWU wakeup sources, the device also wakes from low power modes when NMI or RESET pins are enabled and the respective pin is asserted.

Table 3-15. Wakeup Sources

LLWU pin	Module source or pin name
LLWU_P5	PTB0
LLWU_P6	PTC1
LLWU_P7	PTC3
LLWU_P8	PTC4
LLWU_P9	PTC5
LLWU_P10	PTC6
LLWU_P14	PTD4
LLWU_P15	PTD6
LLWU_M0IF	LPTMR0
LLWU_M1IF	CMP0
LLWU_M2IF	Reserved
LLWU_M3IF	Reserved
LLWU_M4IF	TSIO
LLWU_M5IF	RTC Alarm
LLWU_M6IF	Reserved
LLWU_M7IF	RTC Seconds

3.4.5 MCM configuration

This section summarizes how the module has been configured in the chip. For a comprehensive description of the module itself, see the module's dedicated chapter.

**Figure 3-8. MCM configuration****Table 3-16. Reference links to related information**

Topic	Related module	Reference
Full description	Miscellaneous control module (MCM)	MCM
System memory map	—	System memory map
Clocking	—	Clock distribution
Power management	—	Power management
Private peripheral bus (PPB)	ARM Cortex-M0+ core	ARM Cortex-M0+ core

Table continues on the next page...

Table 3-16. Reference links to related information (continued)

Topic	Related module	Reference
Transfer	Flash memory controller	Flash memory controller

3.4.6 Crossbar-light switch configuration

This section summarizes how the module has been configured in the chip. For a comprehensive description of the module itself, see the module’s dedicated chapter.

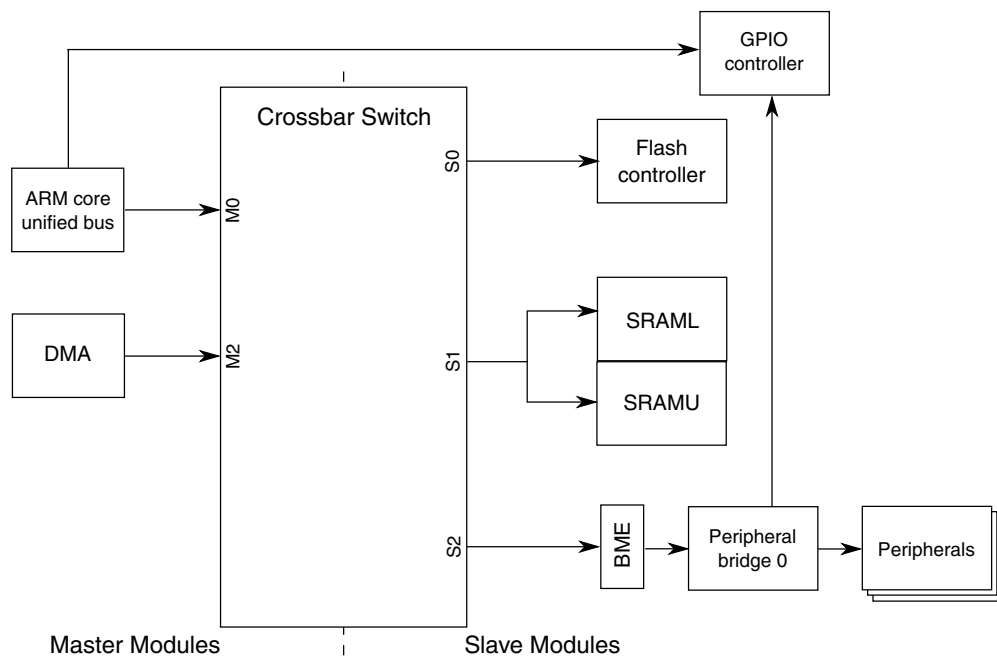


Figure 3-9. Crossbar-light switch integration

Table 3-17. Reference links to related information

Topic	Related module	Reference
Full description	Crossbar switch	Crossbar switch
System memory map	—	System memory map
Clocking	—	Clock distribution
Crossbar switch master	ARM Cortex-M0+ core	ARM Cortex-M0+ core
Crossbar switch master	DMA controller	DMA controller
Crossbar switch slave	Flash memory controller	Flash memory controller
Crossbar switch slave	SRAM controller	SRAM configuration
Crossbar switch slave	Peripheral bridge	Peripheral bridge
2-ported peripheral	GPIO controller	GPIO controller

3.4.6.1 Crossbar-light switch master assignments

The masters connected to the crossbar switch are assigned as follows:

Master module	Master port number
ARM core unified bus	0
DMA	2

3.4.6.2 Crossbar switch slave assignments

This device contains 3 slaves connected to the crossbar switch.

The slave assignment is as follows:

Slave module	Slave port number
Flash memory controller	0
SRAM controller	1
Peripheral bridge 0	2

3.4.7 Peripheral bridge configuration

This section summarizes how the module has been configured in the chip. For a comprehensive description of the module itself, see the module's dedicated chapter.

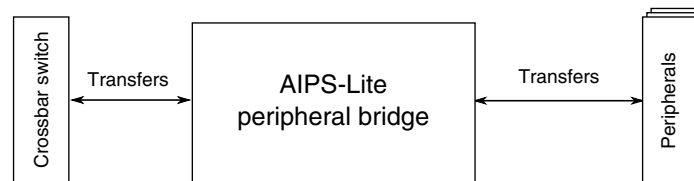


Figure 3-10. Peripheral bridge configuration

Table 3-18. Reference links to related information

Topic	Related module	Reference
Full description	Peripheral bridge (AIPS-Lite)	Peripheral bridge (AIPS-Lite)
System memory map	—	System memory map
Clocking	—	Clock distribution
Crossbar switch	Crossbar switch	Crossbar switch

3.4.7.1 Number of peripheral bridges

This device contains one peripheral bridge.

3.4.7.2 Memory maps

The peripheral bridges are used to access the registers of most of the modules on this device. See [AIPS0 Memory Map](#) for the memory slot assignment for each module.

3.4.8 DMA request multiplexer configuration

This section summarizes how the module has been configured in the chip. For a comprehensive description of the module itself, see the module’s dedicated chapter.

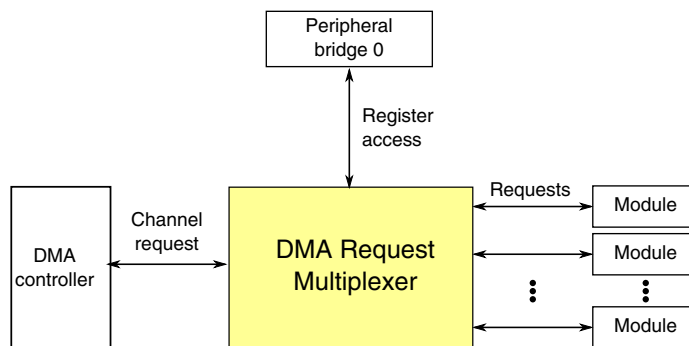


Figure 3-11. DMA request multiplexer configuration

Table 3-19. Reference links to related information

Topic	Related module	Reference
Full description	DMA request multiplexer	DMA Mux
System memory map		System memory map
Clocking		Clock distribution
Power management		Power management
Channel request	DMA controller	DMA Controller
Requests		DMA request sources

3.4.8.1 DMA MUX Request Sources

This device includes a DMA request mux that allows up to 63 DMA request signals to be mapped to any of the 4 DMA channels. Because of the mux there is no hard correlation between any of the DMA request sources and a specific DMA channel. Some of the modules support Asynchronous DMA operation as indicated by the last column in the following DMA source assignment table.

Table 3-20. DMA request sources - MUX 0

Source number	Source module	Source description	Async DMA capable
0	—	Channel disabled ¹	
1	Reserved	Not used	
2	UART0	Receive	Yes
3	UART0	Transmit	Yes
4	UART1	Receive	
5	UART1	Transmit	
6	UART2	Receive	
7	UART2	Transmit	
8	Reserved	—	
9	Reserved	—	
10	Reserved	—	
11	Reserved	—	
12	Reserved	—	
13	Reserved	—	
14	I ² S0	Receive	Yes
15	I ² S0	Transmit	Yes
16	SPI0	Receive	
17	SPI0	Transmit	
18	SPI1	Receive	
19	SPI1	Transmit	
20	Reserved	—	
21	Reserved	—	
22	I ² C0	—	
23	I ² C1	—	
24	TPM0	Channel 0	Yes
25	TPM0	Channel 1	Yes
26	TPM0	Channel 2	Yes
27	TPM0	Channel 3	Yes
28	TPM0	Channel 4	Yes
29	TPM0	Channel 5	Yes
30	Reserved	—	

Table continues on the next page...

Table 3-20. DMA request sources - MUX 0 (continued)

Source number	Source module	Source description	Async DMA capable
31	Reserved	—	
32	TPM1	Channel 0	Yes
33	TPM1	Channel 1	Yes
34	TPM2	Channel 0	Yes
35	TPM2	Channel 1	Yes
36	Reserved	—	
37	Reserved	—	
38	Reserved	—	
39	Reserved	—	
40	ADC0	—	Yes
41	Reserved	—	
42	CMP0	—	Yes
43	Reserved	—	
44	Reserved	—	
45	DAC0	—	
46	Reserved	—	
47	Reserved	—	
48	Reserved	—	
49	Port control module	Port A	Yes
50	Reserved	—	
51	Port control module	Port C	Yes
52	Port control module	Port D	Yes
53	Reserved	—	
54	TPM0	Overflow	Yes
55	TPM1	Overflow	Yes
56	TPM2	Overflow	Yes
57	TSI	—	Yes
58	Reserved	—	
59	Reserved	—	
60	DMA MUX	Always enabled	
61	DMA MUX	Always enabled	
62	DMA MUX	Always enabled	
63	DMA MUX	Always enabled	

1. Configuring a DMA channel to select source 0 or any of the reserved sources disables that DMA channel.

3.4.8.2 DMA transfers via PIT trigger

The PIT module can trigger a DMA transfer on the first two DMA channels. The assignments are detailed at [PIT/DMA Periodic Trigger Assignments](#).

3.4.9 DMA Controller Configuration

This section summarizes how the module has been configured in the chip. For a comprehensive description of the module itself, see the module's dedicated chapter.

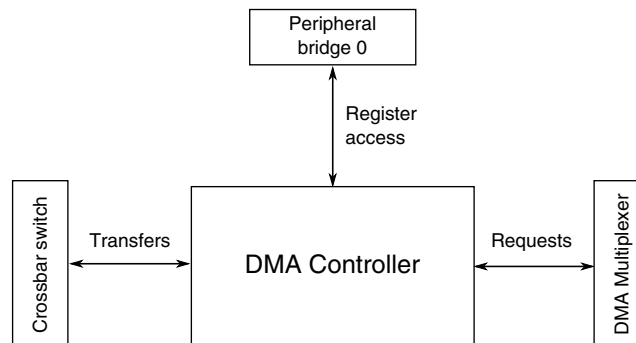


Figure 3-12. DMA Controller configuration

Table 3-21. Reference links to related information

Topic	Related module	Reference
Full description	DMA controller	DMA controller
System memory map		System memory map
Clocking		Clock distribution
Power management		Power management
Crossbar switch	Crossbar switch	Crossbar switch
Requests		DMA request sources

3.4.10 Computer operating properly (COP) watchdog configuration

This section summarizes how the module has been configured in the chip.

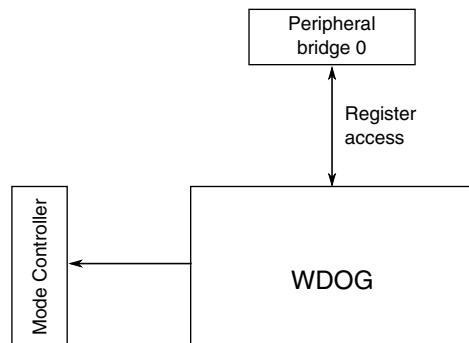


Figure 3-13. COP watchdog configuration

Table 3-22. Reference links to related information

Topic	Related module	Reference
Clocking	—	Clock distribution
Power management	—	Power management
Programming model	System integration module (SIM)	SIM

3.4.10.1 COP clocks

The multiple clock inputs for the COP are the 1 kHz clock and the bus clock.

3.4.10.2 COP watchdog operation

The COP watchdog is intended to force a system reset when the application software fails to execute as expected. To prevent a system reset from the COP timer (when it is enabled), the application software must reset the COP counter periodically. If the application program gets lost and fails to reset the COP counter before it times out, a system reset is generated to force the system back to a known starting point.

After any reset, the COP watchdog is enabled. If the COP watchdog is not used in an application, it can be disabled by clearing `SIM_COPCTRL[COPT]`.

The COP counter is reset by writing 0x55 and 0xAA (in that order) to the address of the SIM's Service COP (SRVCOP) register during the selected timeout period. Writes do not affect the data in the SRVCOP register. As soon as the write sequence is complete, the COP timeout period is restarted. If the program fails to perform this restart during the timeout period, the microcontroller resets. Also, if any value other than 0x55 or 0xAA is written to the SRVCOP register, the microcontroller immediately resets.

`SIM_COPCTRL[COPCLKS]` selects the clock source used for the COP timer. The clock source options are either the bus clock or an internal 1 kHz clock source. With each clock source, there are three associated timeouts controlled by `SIM_COPCTRL[COPT]`. The following table summarizes the control functions of `SIM_COPCTRL[COPCLKS]` and `SIM_COPCTRL[COPT]` fields. The COP watchdog defaults to operation from the 1 kHz clock source and the longest timeout for that clock source (2^{10} cycles).

After the bus clock source is selected, windowed COP operation is available by setting `SIM_COPCTRL[COPW]`. In this mode, writes to the `SIM_SRVCOP` register to clear the COP timer must occur in the last 25% of the selected timeout period. A premature write immediately resets the chip. When the 1 kHz clock source is selected, windowed COP operation is not available.

The COP counter is initialized by the first writes to the `SIM_COPCTRL` register and after any system reset. Subsequent writes to the `SIM_COPCTRL` register have no effect on COP operation. Even if an application uses the reset default settings of `SIM_COPCTRL[COPT]`, `SIM_COPCTRL[COPCLKS]`, and `SIM_COPCTRL[COPW]` fields, the user should write to the write-once `SIM_COPCTRL` register during reset initialization to lock in the settings. This approach prevents accidental changes if the application program becomes lost.

The write to the `SIM_SRVCOP` register that services (clears) the COP counter should not be placed in an interrupt service routine (ISR) because the ISR could continue to be executed periodically even if the main application program fails.

If the bus clock source is selected, the COP counter does not increment while the microcontroller is in Debug mode or while the system is in Stop (including VLPS or LLS) mode. The COP counter resumes when the microcontroller exits Debug or Stop mode.

If the 1 kHz clock source is selected, the COP counter is re-initialized to zero upon entry to either debug mode or stop (including VLPS or LLS) mode. The counter begins from zero upon exit from debug mode or stop mode.

Regardless of the clock selected, the COP is disabled when the chip enters a VLLSx mode. Upon a reset that wakes the chip from the VLLSx mode, the COP is reinitialized and enabled as for any reset.

3.4.10.3 Clock gating

This family of devices includes clock gating control for each peripheral, that is, the clock to each peripheral can explicitly be gated on or off, using clock-gate control bits in the SIM module.

3.5 Clock modules

3.5.1 MCG configuration

This section summarizes how the module has been configured in the chip. For a comprehensive description of the module itself, see the module’s dedicated chapter.

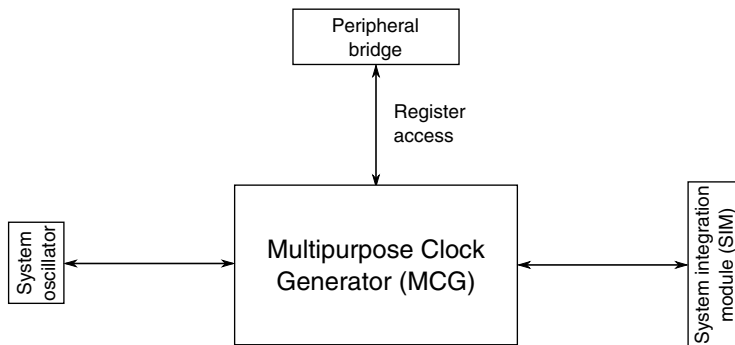


Figure 3-14. MCG configuration

Table 3-23. Reference links to related information

Topic	Related module	Reference
Full description	MCG	MCG
System memory map	—	System memory map
Clocking	—	Clock distribution
Power management	—	Power management
Signal multiplexing	Port control	Signal multiplexing

3.5.1.1 MCG FLL modes

The MCGFLLCLK frequency is limited to 48 MHz at maximum in this device. The digitally-controller oscillator (DCO) is limited to the two lowest range settings, that is, MCG_C4[DRST_DRS] must be set to either 0b00 or 0b01.

3.5.2 OSC configuration

This section summarizes how the module has been configured in the chip. For a comprehensive description of the module itself, see the module’s dedicated chapter.

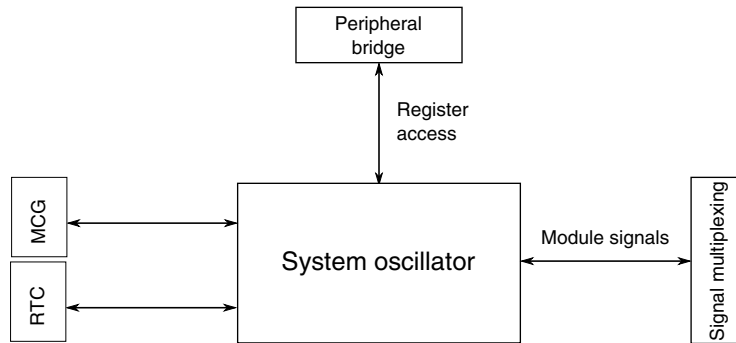


Figure 3-15. OSC configuration

Table 3-24. Reference links to related information

Topic	Related module	Reference
Full description	OSC	OSC
System memory map	—	System memory map
Clocking	—	Clock distribution
Power management	—	Power management
Signal multiplexing	Port control	Signal multiplexing
Full description	MCG	MCG

3.5.2.1 OSC modes of operation with MCG and RTC

The most common method of controlling the OSC block is through MCG_C1[CLKS] and the fields of MCG_C2 register to configure the oscillator frequency range, gain-mode, and for crystal or external clock operation. OSC_CR also provides control for enabling the OSC module and configuring internal load capacitors for the EXTAL and XTAL pins. See the [OSC](#) and [MCG](#) chapters for more details.

The RTC_CR[OSCE] bit has overriding control over the MCG and OSC_CR enable functions. When RTC_CR[OSCE] is set, the OSC is configured for low frequency, low power and the RTC_CR[SCxP] bits override the OSC_CR[SCxP] bits to control the internal capacitance configuration. See the RTC chapter for more details.

3.6 Memories and memory interfaces

3.6.1 Flash memory configuration

This section summarizes how the module has been configured in the chip. For a comprehensive description of the module itself, see the module's dedicated chapter.

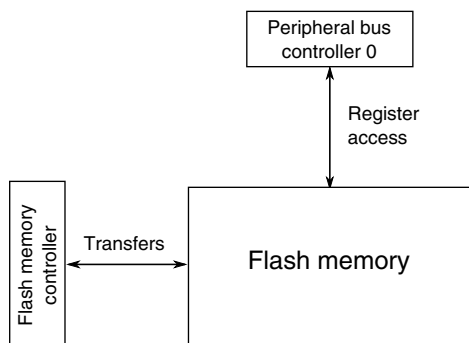


Figure 3-16. Flash memory configuration

Table 3-25. Reference links to related information

Topic	Related module	Reference
Full description	Flash memory	Flash memory
System memory map	—	System memory map
Clocking	—	Clock distribution
Transfers	Flash memory controller	Flash memory controller
Register access	Peripheral bridge	Peripheral bridge

3.6.1.1 Flash memory sizes

The devices covered in this document contain 2 program flash blocks consisting of 1 KB sectors.

The amounts of flash memory for the devices covered in this document are:

Table 3-26. KL36 flash memory size

Device	Program flash (KB)	Block 0 (P-Flash) address range	Block 1 (P-Flash) address range
MKL36Z64VLH4	64	0x0000_0000 – 0x0000_7FFF	0x0000_8000 – 0x0000_FFFF
MKL36Z128VLH4	128	0x0000_0000 – 0x0000_FFFF	0x0001_0000 – 0x0001_FFFF
MKL36Z256VLH4	256	0x0000_0000 – 0x0001_FFFF	0x0002_0000 – 0x0003_FFFF
MKL36Z64VLL4	64	0x0000_0000 – 0x0000_7FFF	0x0000_8000 – 0x0000_FFFF
MKL36Z128VLL4	128	0x0000_0000 – 0x0000_FFFF	0x0001_0000 – 0x0001_FFFF
MKL36Z256VLL4	256	0x0000_0000 – 0x0001_FFFF	0x0002_0000 – 0x0003_FFFF
MKL36Z128VMC4	128	0x0000_0000 – 0x0000_FFFF	0x0001_0000 – 0x0001_FFFF
MKL36Z256VMC4	256	0x0000_0000 – 0x0001_FFFF	0x0002_0000 – 0x0003_FFFF

3.6.1.2 Flash memory map

The flash memory and the flash registers are located at different base addresses as shown in the figure found here.

The base address for each is specified in [System memory map](#).

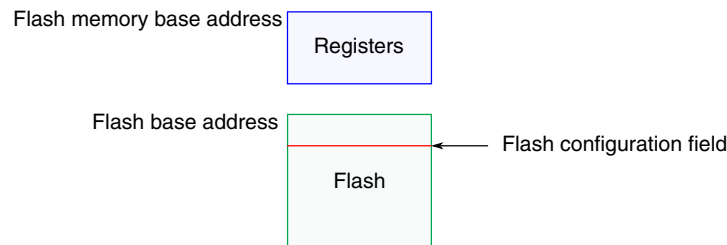


Figure 3-17. Flash memory map

The on-chip flash memory is implemented in a portion of the allocated Flash range to form a contiguous block in the memory map beginning at address 0x0000_0000. See [Flash and EEPROM memory sizes](#) for details of supported ranges.

Access to the flash memory ranges outside the amount of flash on the device causes the bus cycle to be terminated with an error followed by the appropriate response in the requesting bus master.

3.6.1.3 Flash security

For information on how flash security is implemented on this device, see [Chip Security](#).

3.6.1.4 Flash modes

The flash memory chapter defines two modes of operation: NVM normal and NVM special modes. On this device, the flash memory only operates in NVM normal mode. All references to NVM special mode must be ignored.

3.6.1.5 Erase all flash contents

In addition to software, the entire flash memory may be erased external to the flash memory via the SW-DP debug port by setting MDM-AP CONTROL[0]. MDM-AP STATUS[0] is set to indicate the mass erase command has been accepted. MDM-AP STATUS[0] is cleared when the mass erase completes.

3.6.1.6 FTFA_FOPT register

The flash memory's FTFA_FOPT register allows the user to customize the operation of the MCU at boot time. See [FOPT boot options](#) for details of its definition.

3.6.2 Flash memory controller configuration

This section summarizes how the module has been configured in the chip. For a comprehensive description of the module itself, see the module's dedicated chapter.

See MCM_PLACR register description for details on the reset configuration of the FMC.

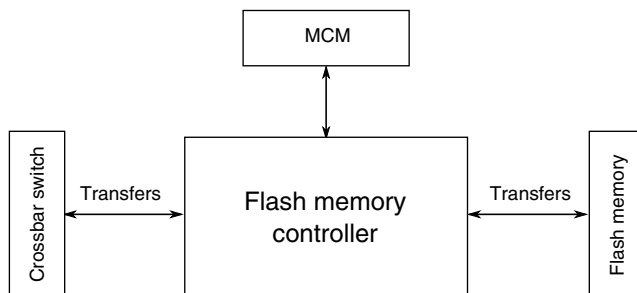


Figure 3-18. Flash memory controller configuration

Table 3-27. Reference links to related information

Topic	Related module	Reference
Full description	Flash memory controller	Flash memory controller
System memory map	—	System memory map
Clocking	—	Clock distribution
Transfers	Flash memory	Flash memory
Transfers	Crossbar switch	Crossbar switch
Register access	MCM	MCM

3.6.3 SRAM configuration

This section summarizes how the module has been configured in the chip.

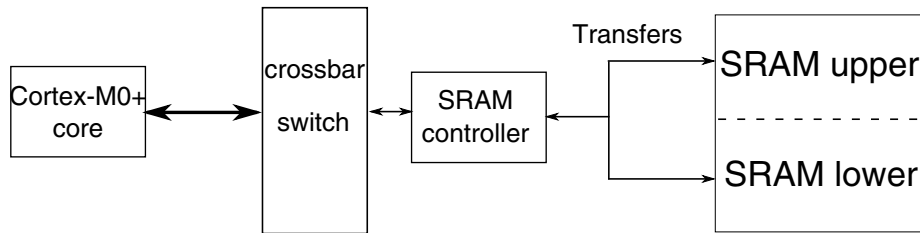


Figure 3-19. SRAM configuration

Table 3-28. Reference links to related information

Topic	Related module	Reference
Full description	SRAM	SRAM
System memory map	—	System memory map
Clocking	—	Clock distribution
ARM Cortex-M0+ core	—	ARM Cortex-M0+ core

3.6.3.1 SRAM sizes

This device contains SRAM which could be accessed by bus masters through the crossbar switch. The amount of SRAM for the devices covered in this document is shown in the following table.

Table 3-29. KL36 SRAM memory size

Device	SRAM (KB)
MKL36Z64VLH4	8
MKL36Z128VLH4	16
MKL36Z256VLH4	32
MKL36Z64VLL4	8
MKL36Z128VLL4	16
MKL36Z256VLL4	32
MKL36Z128VMC4	16
MKL36Z256VMC4	32

3.6.3.2 SRAM ranges

The on-chip SRAM is split into two ranges, 1/4 is allocated SRAM_L and 3/4 is allocated to SRAM_U.

The on-chip RAM is implemented such that the SRAM_L and SRAM_U ranges form a contiguous block in the memory map. As such:

- SRAM_L is anchored to 0x1FFF_FFFF and occupies the space before this ending address.
- SRAM_U is anchored to 0x2000_0000 and occupies the space after this beginning address.

Valid address ranges for SRAM_L and SRAM_U are then defined as:

- SRAM_L = [0x2000_0000-(SRAM_size/4)] to 0x1FFF_FFFF
- SRAM_U = 0x2000_0000 to [0x2000_0000+(SRAM_size*(3/4))-1]

This is illustrated in the following figure.

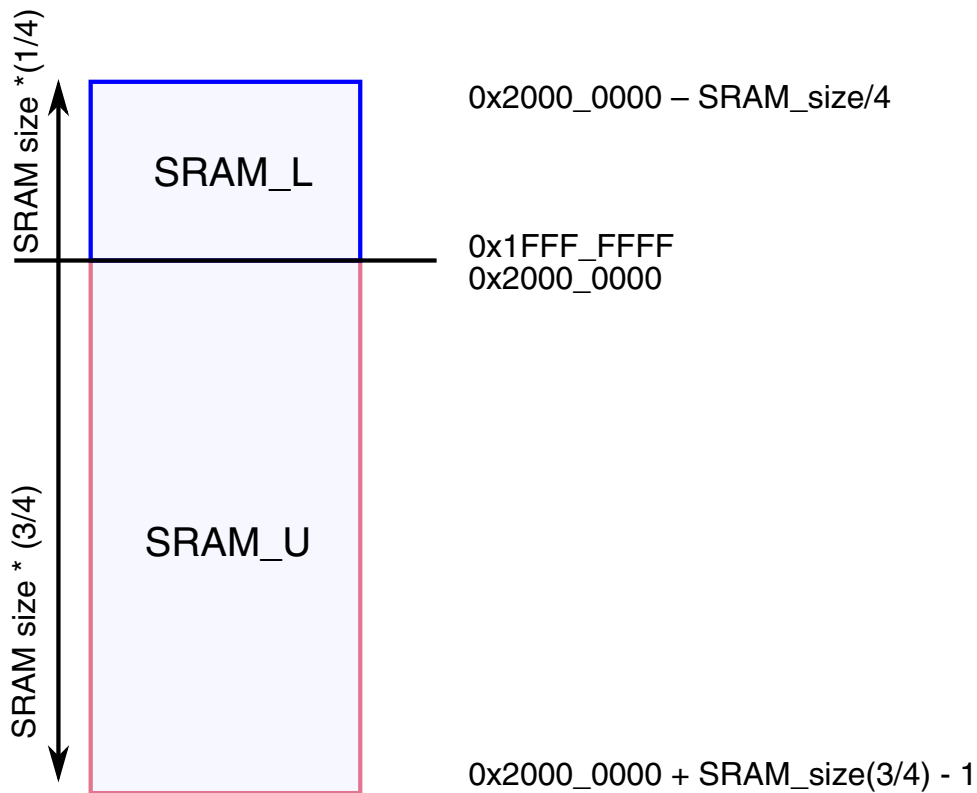


Figure 3-20. SRAM blocks memory map

For example, for a device containing 16 KB of SRAM, the ranges are:

- SRAM_L: 0x1FFF_F000 – 0x1FFF_FFFF
- SRAM_U: 0x2000_0000 – 0x2000_2FFF

3.6.3.3 SRAM retention in low power modes

The SRAM is retained down to VLLS3 mode. In VLLS1 and VLLS0, no SRAM is retained.

3.6.4 System Register File Configuration

This section summarizes how the module has been configured in the chip.

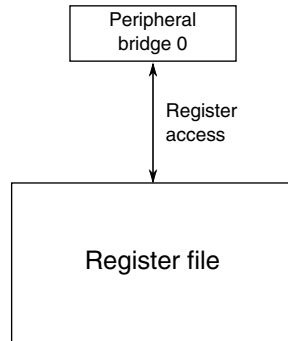


Figure 3-21. System Register file configuration

Table 3-30. Reference links to related information

Topic	Related module	Reference
Full description	Register file	Register file
System memory map		System memory map
Clocking		Clock distribution
Power management		Power management

3.6.4.1 System Register file

This device includes a 32-byte register file that is powered in all power modes.

Also, it retains contents during low-voltage detect (LVD) events and is only reset during a power-on reset.

Base address of this register file is 0x4004_1000. (see Table "Peripheral bridge 0 slot assignment").

3.7 Analog

3.7.1 16-bit SAR ADC configuration

This section summarizes how the module has been configured in the chip. For a comprehensive description of the module itself, see the module's dedicated chapter.

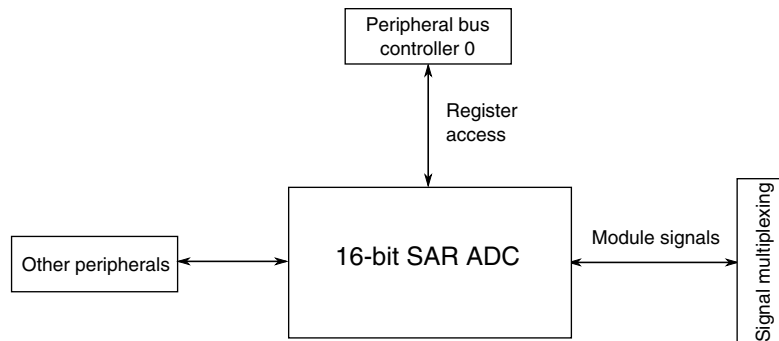


Figure 3-22. 16-bit SAR ADC configuration

Table 3-31. Reference links to related information

Topic	Related module	Reference
Full description	16-bit SAR ADC	16-bit SAR ADC
System memory map	—	System memory map
Clocking	—	Clock distribution
Power management	—	Power management
Signal multiplexing	Port control	Signal multiplexing

3.7.1.1 ADC instantiation information

This device contains one 16-bit successive approximation ADC with up to 16 channels.

The ADC supports both software and hardware triggers. The hardware trigger sources are listed in the [Module-to-Module section](#).

The number of ADC channels present on the device is determined by the pinout of the specific device package and is shown in the following table.

Table 3-32. Number of KL36 ADC channels

Device	Number of ADC channels
MKL36Z64VLH4	16
MKL36Z128VLH4	16
MKL36Z256VLH4	16

Table continues on the next page...

Table 3-32. Number of KL36 ADC channels (continued)

Device	Number of ADC channels
MKL36Z64VLL4	16
MKL36Z128VLL4	16
MKL36Z256VLL4	16
MKL36Z128VMC4	16
MKL36Z256VMC4	16

3.7.1.2 DMA Support on ADC

Applications may require continuous sampling of the ADC that may have considerable load on the CPU. The ADC supports DMA request functionality for higher performance when the ADC is sampled at a very high rate. The ADC can trigger the DMA (via DMA req) on conversion completion.

3.7.1.3 ADC0 connections/channel assignment

NOTE

As indicated by the following sections, each ADC_x_DP_x input and certain ADC_x_DM_x inputs may operate as single-ended ADC channels in single-ended mode.

3.7.1.3.1 ADC0 channel assignment

ADC channel (SC1n[ADCH])	Channel	Input signal (SC1n[DIFF]= 1)	Input signal (SC1n[DIFF]= 0)
00000	DAD0	ADC0_DP0 and ADC0_DM0	ADC0_DP0/ADC0_SE0
00001	DAD1	ADC0_DP1 and ADC0_DM1	ADC0_DP1/ADC0_SE1
00010	DAD2	ADC0_DP2 and ADC0_DM2	ADC0_DP2/ADC0_SE2
00011	DAD3	ADC0_DP3 and ADC0_DM3	ADC0_DP3/ADC0_SE3
00100 ¹	AD4a	Reserved	ADC0_DM0/ADC0_SE4a
00101 ¹	AD5a	Reserved	ADC0_DM1/ADC0_SE5a
00110 ¹	AD6a	Reserved	ADC0_DM2/ADC0_SE6a
00111 ¹	AD7a	Reserved	ADC0_DM3/ADC0_SE7a
00100 ¹	AD4b	Reserved	ADC0_SE4b
00101 ¹	AD5b	Reserved	ADC0_SE5b
00110 ¹	AD6b	Reserved	ADC0_SE6b
00111 ¹	AD7b	Reserved	ADC0_SE7b

Table continues on the next page...

ADC channel (SC1n[ADCH])	Channel	Input signal (SC1n[DIFF]= 1)	Input signal (SC1n[DIFF]= 0)
01000	AD8	Reserved	ADC0_SE8
01001	AD9	Reserved	ADC0_SE9
01010	AD10	Reserved	Reserved
01011	AD11	Reserved	ADC0_SE11
01100	AD12	Reserved	ADC0_SE12
01101	AD13	Reserved	ADC0_SE13
01110	AD14	Reserved	ADC0_SE14
01111	AD15	Reserved	ADC0_SE15
10000	AD16	Reserved	Reserved
10001	AD17	Reserved	Reserved
10010	AD18	Reserved	Reserved
10011	AD19	Reserved	Reserved
10100	AD20	Reserved	Reserved
10101	AD21	Reserved	Reserved
10110	AD22	Reserved	Reserved
10111	AD23	Reserved	12-bit DAC0 Output/ ADC0_SE23
11000	AD24	Reserved	Reserved
11001	AD25	Reserved	Reserved
11010	AD26	Temperature Sensor (Diff)	Temperature Sensor (S.E)
11011	AD27	Bandgap (Diff) ²	Bandgap (S.E) ²
11100	AD28	Reserved	Reserved
11101	AD29	-VREFH (Diff)	VREFH (S.E)
11110	AD30	Reserved	VREFL
11111	AD31	Module Disabled	Module Disabled

1. ADCx_CFG2[MUXSEL] bit selects between ADCx_SEn channels a and b. Refer to MUXSEL description in ADC chapter for details.
2. This is the PMC bandgap 1V reference voltage. Prior to reading from this ADC channel, ensure that you enable the bandgap buffer by setting the PMC_REGSC[BGBE] bit. Refer to the device data sheet for the bandgap voltage (V_{BG}) specification.

3.7.1.4 ADC analog supply and reference connections

This device includes dedicated VDDA and VSSA pins.

This device contains dedicated VREFH and VREFL pins in all packages.

3.7.1.5 Alternate clock

For this device, the alternate clock is connected to the external reference clock (OSCERCLK).

NOTE

This clock option is only usable when OSCERCLK is in the MHz range. A system with OSCERCLK in the kHz range has the optional clock source below minimum ADC clock operating frequency.

3.7.2 CMP configuration

This section summarizes how the module has been configured in the chip. For a comprehensive description of the module itself, see the module's dedicated chapter.

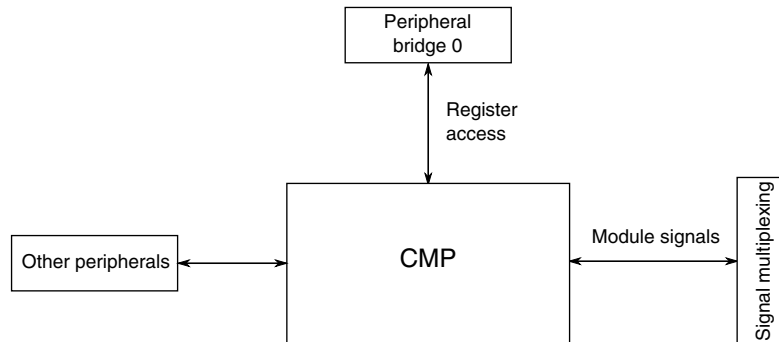


Figure 3-23. CMP configuration

Table 3-33. Reference links to related information

Topic	Related module	Reference
Full description	Comparator (CMP)	Comparator
System memory map	—	System memory map
Clocking	—	Clock distribution
Power management	—	Power management
Signal multiplexing	Port control	Signal multiplexing

3.7.2.1 CMP instantiation information

The device includes one high-speed comparator and two 8-input multiplexers for both the inverting and non-inverting inputs of the comparator. Each CMP input channel connects to both muxes. Two of the channels are connected to internal sources, leaving resources to support up to 6 input pins. See the channel assignment table for a summary of CMP input connections for this device.

The CMP also includes one 6-bit DAC with a 64-tap resistor ladder network, which provides a selectable voltage reference for applications where voltage reference is needed for internal connection to the CMP.

The CMP can be optionally on in all modes except VLLS0.

The CMP has several module-to-module interconnects in order to facilitate ADC triggering, TPM triggering, and UART IR interfaces. For complete details on the CMP module interconnects, see the [Module-to-Module section](#).

The CMP does not support window compare function and a 0 must always be written to CMP_CR1[WE]. The sample function has limited functionality since the SAMPLE input to the block is not connected to a valid input. Usage of sample operation is limited to a divided version of the bus clock (CMP_CR1[SE] = 0).

Due to the pin number limitation, the CMP pass through mode is not supported by this device, so the CMPx_MUXCR[PSTM] must be left as 0.

3.7.2.2 CMP input connections

The following table shows the fixed internal connections to the CMP.

Table 3-34. CMP input connections

CMP inputs	CMP0
IN0	CMP0_IN0
IN1	CMP0_IN1
IN2	CMP0_IN2
IN3	CMP0_IN3
IN4	12-bit DAC0 reference/ CMP0_IN4
IN5	CMP0_IN5
IN6	Bandgap ¹
IN7	6-bit DAC0 reference

1. This is the PMC bandgap 1V reference voltage. Prior to using as CMP input, ensure that you enable the bandgap buffer by setting PMC_REGSC[BGBE]. See the device data sheet for the bandgap voltage (V_{BG}) specification.

3.7.2.3 CMP external references

The 6-bit DAC sub-block supports selection of two references. For this device, the references are connected as follows:

- VREFH– V_{in1} input. When using VREFH, any ADC conversion using this same reference at the same time is negatively impacted.
- VDD– V_{in2} input

3.7.2.4 CMP trigger mode

The CMP and 6-bit DAC sub-block supports trigger mode operation when CMP_CR1[TRIGM] is set. When trigger mode is enabled, the trigger event will initiate a compare sequence that must first enable the CMP and DAC prior to performing a CMP operation and capturing the output. In this device, control for this two-staged sequencing is provided from the LPTMR. The LPTMR triggering output is always enabled when the LPTMR is enabled. The first signal is supplied to enable the CMP and DAC and is asserted at the same time as the TCF flag is set. The delay to the second signal that triggers the CMP to capture the result of the compare operation is dependent on the LPTMR configuration.

- In Time Counter mode with prescaler enabled, the delay is 1/2 Prescaler output period.
- In Time Counter mode with prescaler bypassed, the delay is 1/2 Prescaler clock period.

The delay between the first signal from LPTMR and the second signal from LPTMR must be greater than the analog comparator initialization delay as defined in the device datasheet.

3.7.3 12-bit DAC Configuration

This section summarizes how the module has been configured in the chip. For a comprehensive description of the module itself, see the module's dedicated chapter.

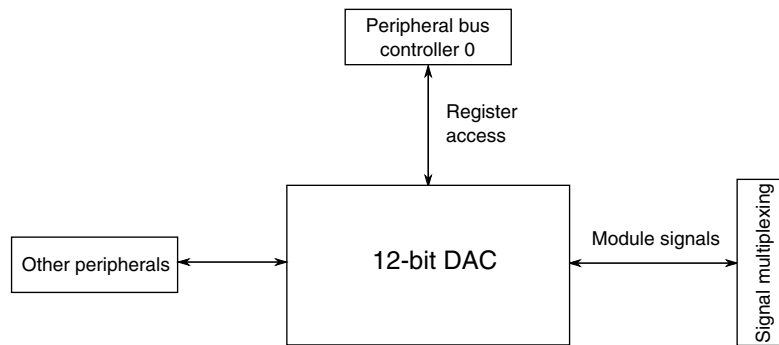


Figure 3-24. 12-bit DAC configuration

Table 3-35. Reference links to related information

Topic	Related module	Reference
Full description	12-bit DAC	12-bit DAC
System memory map		System memory map
Clocking		Clock distribution
Power management		Power management
Signal multiplexing	Port control	Signal multiplexing

3.7.3.1 12-bit DAC Instantiation Information

This device contains one 12-bit digital-to-analog converter (DAC) with programmable reference generator output. The DAC includes a two word FIFO for DMA support.

3.7.3.2 12-bit DAC Output

The output of the DAC can be placed on an external pin or selected as an input to the analog comparator or ADC.

3.7.3.3 12-bit DAC Analog Supply and Reference Connections

This device includes dedicated VDDA and VSSA pins.

This device contains dedicated VREFH and VREFL pins in all packages.

3.7.3.4 12-bit DAC Reference

VREFH is tied to VDDA internally.

Be aware that the DAC and ADC use the same reference simultaneously, some degradation of ADC accuracy is to be expected due to DAC switching.

3.8 Timers

3.8.1 Timer/PWM module configuration

This section summarizes how the module has been configured in the chip. For a comprehensive description of the module itself, see the module's dedicated chapter.

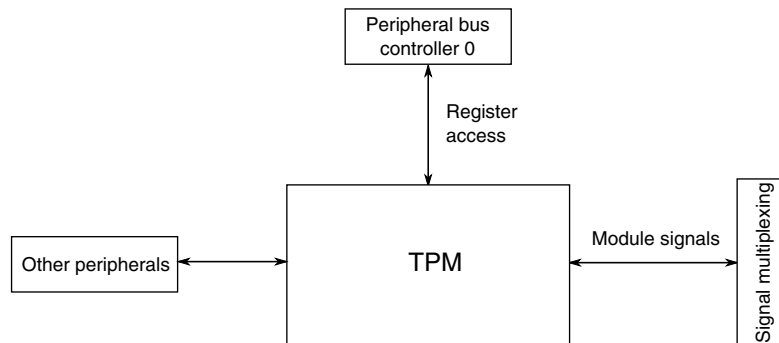


Figure 3-25. TPM configuration

Table 3-36. Reference links to related information

Topic	Related module	Reference
Full description	Timer/PWM module	Timer/PWM module
System memory map	—	System memory map
Clocking	—	Clock distribution
Power management	—	Power management
Signal multiplexing	Port control	Signal multiplexing

3.8.1.1 TPM instantiation information

This device contains three low power TPM modules (TPM). All TPM modules in the device are configured only as basic TPM function, do not support quadrature decoder function, and all can be functional in Stop/VLPS mode. The clock source is either external or internal in Stop/VLPS mode.

The following table shows how these modules are configured.

Table 3-37. TPM configuration

TPM instance	Number of channels	Features/usage
TPM0	6	Basic TPM,functional in Stop/VLPS mode
TPM1	2	Basic TPM,functional in Stop/VLPS mode
TPM2	2	Basic TPM,functional in Stop/VLPS mode

There are several connections to and from the TPMs in order to facilitate customer use cases. For complete details on the TPM module interconnects please refer to the [Module-to-Module section](#).

3.8.1.2 Clock options

The TPM blocks are clocked from a single TPM clock that can be selected from OSCERCLK, MCGIRCLK, MCGPLLCLK/2, or MCGFLLCLK. The selected source is controlled by SIM_SOPT2[TPMSRC] and SIM_SOPT2[PLLFLLSEL].

Each TPM also supports an external clock mode (TPM_SC[CMOD]=1x) in which the counter increments after a synchronized (to the selected TPM clock source) rising edge detect of an external clock input. The available external clock (either TPM_CLKIN0 or TPM_CLKIN1) is selected by SIM_SOPT4[TPMxCLKSEL] control register. To guarantee valid operation the selected external clock must be less than half the frequency of the selected TPM clock source.

3.8.1.3 Trigger options

Each TPM has a selectable trigger input source controlled by the TPMx_CONF[TRGSEL] field to use for starting the counter and/or reloading the counter. The options available are shown in the following table.

Table 3-38. TPM trigger options

TPMx_CONF[TRGSEL]	Selected source
0000	External trigger pin input (EXTRG_IN)
0001	CMP0 output
0010	Reserved
0011	Reserved
0100	PIT trigger 0
0101	PIT trigger 1
0110	Reserved

Table continues on the next page...

Table 3-38. TPM trigger options (continued)

TPM _x _CONF[TRGSEL]	Selected source
0111	Reserved
1000	TPM0 overflow
1001	TPM1 overflow
1010	TPM2 overflow
1011	Reserved
1100	RTC alarm
1101	RTC seconds
1110	LPTMR trigger
1111	Reserved

3.8.1.4 Global timebase

Each TPM has a global timebase feature controlled by the TPM_x_CONF[GTBEEN] bit. TPM1 is configured as the global time when this option is enabled.

3.8.1.5 TPM interrupts

The TPM has multiple sources of interrupt. However, these sources are OR'd together to generate a single interrupt request to the interrupt controller. When an TPM interrupt occurs, read the TPM status registers to determine the exact interrupt source.

3.8.2 PIT Configuration

This section summarizes how the module has been configured in the chip. For a comprehensive description of the module itself, see the module's dedicated chapter.

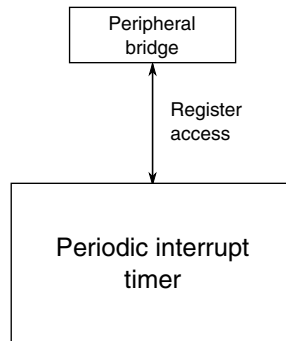


Figure 3-26. PIT configuration

Table 3-39. Reference links to related information

Topic	Related module	Reference
Full description	PIT	PIT
System memory map		System memory map
Clocking		Clock Distribution
Power management		Power management

3.8.2.1 PIT/DMA Periodic Trigger Assignments

The PIT generates periodic trigger events to the DMA channel mux as shown in the table below.

Table 3-40. PIT channel assignments for periodic DMA triggering

PIT Channel	DMA Channel Number
PIT Channel 0	DMA Channel 0
PIT Channel 1	DMA Channel 1

3.8.2.2 PIT/ADC Triggers

PIT triggers are selected as ADCx trigger sources using the SOPT7[ADCxTRGSEL] bits in the SIM module. For more details, refer to SIM chapter.

3.8.2.3 PIT/TPM Triggers

PIT triggers are selected as TPMx trigger sources using the TPMx_CONF[TRGSEL] bits in the TPM module. For more details, refer to TPM chapter.

3.8.2.4 PIT/DAC Triggers

PIT Channel 0 is configured as the DAC hardware trigger source. For more details, refer to DAC chapter.

3.8.3 Low-power timer configuration

This section summarizes how the module has been configured in the chip. For a comprehensive description of the module itself, see the module's dedicated chapter.

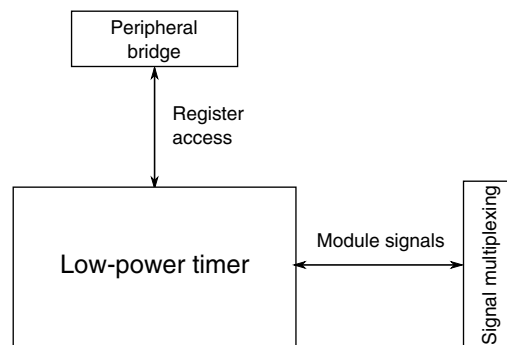


Figure 3-27. LPT configuration

Table 3-41. Reference links to related information

Topic	Related module	Reference
Full description	Low-power timer	Low-power timer
System memory map	—	System memory map
Clocking	—	Clock distribution
Power management	—	Power management
Signal Multiplexing	Port control	Signal multiplexing

3.8.3.1 LPTMR instantiation information

The low-power timer (LPTMR) allows operation during all power modes. The LPTMR can operate as a real-time interrupt or pulse accumulator. It includes a 2^N prescaler (real-time interrupt mode) or glitch filter (pulse accumulator mode).

The LPTMR can be clocked from the internal reference clock, the internal 1 kHz LPO, OSCERCLK, or an external 32.768 kHz crystal. In VLLS0 mode, the clocking option is limited to an external pin with the OSC configured for bypass (external clock) operation.

An interrupt is generated (and the counter may reset) when the counter equals the value in the 16-bit compare register.

3.8.3.2 LPTMR pulse counter input options

LPTMR_CSR[TPS] configures the input source used in pulse counter mode. The following table shows the chip-specific input assignments for this field.

LPTMR_CSR[TPS]	Pulse counter input number	Chip input
00	0	CMP0 output
01	1	LPTMR_ALT1 pin
10	2	LPTMR_ALT2 pin
11	3	LPTMR_ALT3 pin

3.8.3.3 LPTMR prescaler/glitch filter clocking options

The prescaler and glitch filter of the LPTMR module can be clocked from one of four sources determined by LPTMR0_PSR[PCS]. The following table shows the chip-specific clock assignments for this field.

NOTE

The chosen clock must remain enabled if the LPTMR is to continue operating in all required low-power modes.

LPTMR0_PSR[PCS]	Prescaler/glitch filter clock number	Chip clock
00	0	MCGIRCLK—internal reference clock (not available in LLS and VLLS modes)
01	1	LPO—1 kHz clock (not available in VLLS0 mode)
10	2	ERCLK32K (not available in VLLS0 mode when using 32 kHz oscillator)
11	3	OSCERCLK—external reference clock (not available in VLLS0 mode)

See [Clock Distribution](#) for more details on these clocks.

3.8.4 RTC configuration

This section summarizes how the module has been configured in the chip. For a comprehensive description of the module itself, see the module's dedicated chapter.

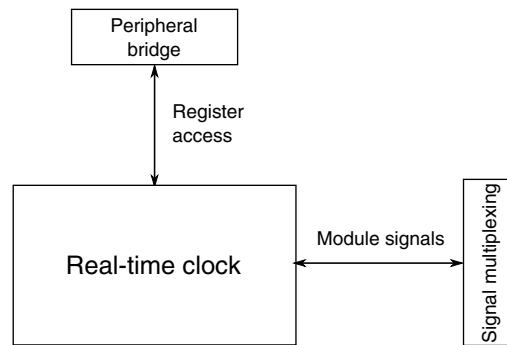


Figure 3-28. RTC configuration

Table 3-42. Reference links to related information

Topic	Related module	Reference
Full description	RTC	RTC
System memory map		System memory map
Clocking		Clock Distribution
Power management		Power management

3.8.4.1 RTC Instantiation Information

RTC prescaler is clocked by ERCLK32K.

RTC is reset on POR Only.

RTC_CR[OSCE] can override the configuration of the System OSC, configuring the OSC for 32 kHz crystal operation in all power modes except VLLS0, and through any System Reset. When OSCE is enabled, the RTC also overrides the capacitor configurations.

3.8.4.2 RTC_CLKOUT options

RTC_CLKOUT pin can be driven either with the RTC 1 Hz output or with the OSCERCLK on-chip clock source. Control for this option is through SIM_SOPT2[RTCCLKOUTSEL] bit.

When RTCCLKOUTSEL = 0, the RTC 1 Hz clock is output is selected on the RTC_CLKOUT pin. When RTCCLKOUTSEL = 1, OSCERCLK clock is output on the RTC_CLKOUT pin.

3.9 Communication interfaces

3.9.1 SPI configuration

This section summarizes how the module has been configured in the chip. For a comprehensive description of the module itself, see the module’s dedicated chapter.

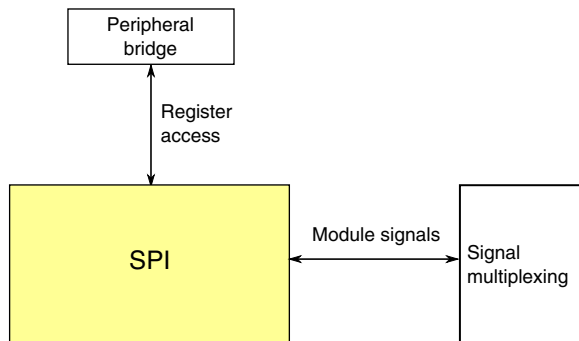


Figure 3-29. SPI configuration

Table 3-43. Reference links to related information

Topic	Related module	Reference
Full description	SPI	SPI
System memory map	—	System memory map
Clocking	—	Clock distribution
Signal multiplexing	Port control	Signal multiplexing

3.9.1.1 SPI instantiation information

This device contains two SPI module that supports 16-bit data length.

SPI1 includes a 4-deep FIFO.

SPI0 is clocked on the bus clock. SPI1 is clocked from the system clock. SPI1 is therefore disabled in "Partial Stop Mode".

The SPI supports DMA request and can operate in VLPS mode. When the SPI is operating in VLPS mode, it will operate as a slave.

SPI can wake the MCU from VLPS mode upon reception of SPI data in slave mode.

3.9.2 I2C configuration

This section summarizes how the module has been configured in the chip. For a comprehensive description of the module itself, see the module's dedicated chapter.

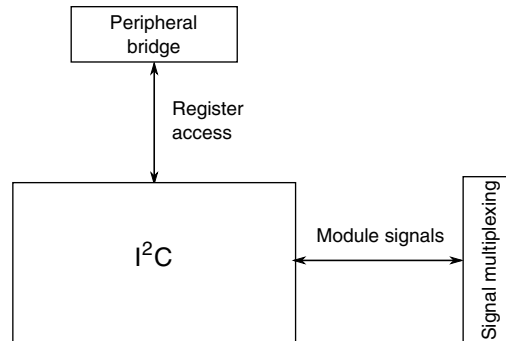


Figure 3-30. I2C configuration

Table 3-44. Reference links to related information

Topic	Related module	Reference
Full description	I ² C	I²C
System memory map	—	System memory map
Clocking	—	Clock distribution
Power management	—	Power management
Signal multiplexing	Port control	Signal multiplexing

3.9.2.1 IIC instantiation information

This device has two IIC modules. IIC0 is clocked by the bus clock and IIC1 is clocked by the system clock. Clocking IIC1 at the faster system clock is needed to support standard IIC communication rates of 100 kbit/s in VLPR mode.

When the package pins associated with IIC have their mux select configured for IIC operation, the pins (SCL and SDA) are driven in a pseudo open drain configuration.

The digital glitch filter implemented in the IIC0 module, controlled by the I2C0_FLT[FLT] registers, is clocked from the bus clock and thus has filter granularity in bus clock cycle counts.

The digital glitch filter implemented in the IIC1 module, controlled by the I2C1_FLT[FLT] registers, is clocked from the system clock and thus has filter granularity in system clock cycle counts.

3.9.3 UART configuration

This section summarizes how the module has been configured in the chip. For a comprehensive description of the module itself, see the module’s dedicated chapter.

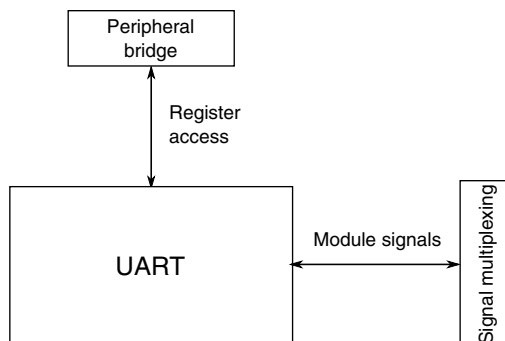


Figure 3-31. UART configuration

Table 3-45. Reference links to related information

Topic	Related module	Reference
Full description	UART1 and UART2	UART
Full description	UART0	UART
System memory map	—	System memory map
Clocking	—	Clock distribution
Power management	—	Power management
Signal multiplexing	Port control	Signal multiplexing

3.9.3.1 UART0 overview

The UART0 module supports basic UART with DMA interface function, x4 to x32 oversampling of baud-rate.

This module supports LIN slave operation.

The module can remain functional in VLPS mode provided the clock it is using remains enabled.

ISO7816 protocol is intended to be handled in software for this product. To support smart card reading, TxD pin can be configured as pseudo open drain for 1-wire half-duplex like ISO7816 communication via SIM_SOPT5[UART0ODE].

3.9.3.2 UART1 and UART2 Overview

This device contains two basic universal asynchronous receiver/transmitter (UART) modules with DMA function support. Generally, these modules are used in RS-232, RS-485, and other communications. This module supports LIN Slave operation.

3.9.4 I²S configuration

This section summarizes how the module has been configured in the chip. For a comprehensive description of the module itself, see the module's dedicated chapter.

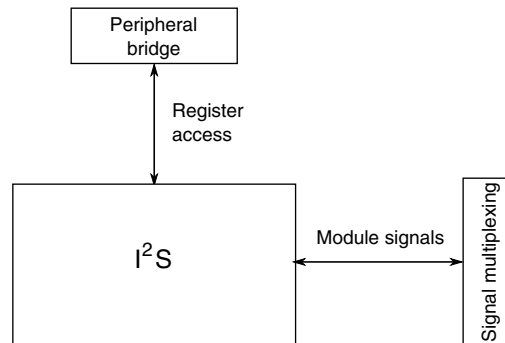


Figure 3-32. I²S configuration

Table 3-46. Reference links to related information

Topic	Related module	Reference
Full description	I ² S	I2S
System memory map		System memory map
Clocking		Clock Distribution
Power management		Power management
Signal multiplexing	Port control	Signal Multiplexing

3.9.4.1 Instantiation information

This device contains one I²S module.

As configured on the device, module features include:

- TX data lines: 1
- RX data lines: 1
- FIFO size (words): 1
- Maximum words per frame: 2
- Maximum bit clock divider: 512

3.9.4.2 I2S Interrupts

The I2S0 has receive and transmit sources of interrupt requests. However, these sources are OR'd together to generate a single interrupt request to the interrupt controller. When an I2S0 interrupt occurs, read the I2S0_RCSR and I2S0_TCSR to determine the exact interrupt source.

3.9.4.3 I²S/SAI clocking

3.9.4.3.1 Audio Master Clock

The audio master clock (MCLK) is used to generate the bit clock when the receiver or transmitter is configured for an internally generated bit clock. The audio master clock can also be output to or input from a pin. The transmitter and receiver have the same audio master clock inputs.

3.9.4.3.2 Bit Clock

The I²S/SAI transmitter and receiver support asynchronous bit clocks (BCLKs) that can be generated internally from the audio master clock or supplied externally. The module also supports the option for synchronous operation between the receiver and transmitter.

3.9.4.3.3 Bus Clock

The bus clock is used by the control registers and to generate synchronous interrupts and DMA requests.

3.9.4.3.4 I²S/SAI clock generation

Each SAI peripheral can control the input clock selection, pin direction and divide ratio of one audio master clock.

The MCLK Input Clock Select bit of the MCLK Control Register (MCR[MICS]) selects the clock input to the I²S/SAI module's MCLK.

The following table shows the input clock selection options on this device.

Table 3-47. I2S0 MCLK input clock selection

MCR[MICS]	Clock Selection
00	System clock
01	OSCERCLK
10	Not supported
11	MCGPLLCLK/2 or MCGFLLCLK

The module's MCLK Divide Register (MDR) is not used to control MCLK generation.

The module's MCLK Output Enable bit of the MCLK Control Register (MCR[MOE]) controls the direction of the MCLK pin. MCLK is input from the pin when MOE is 0, and MCLK is output from the internal clock select when MOE is 1.

The transmitter and receiver can independently select between the bus clock and the audio master clock to generate the bit clock. The module's Clocking Mode field of the Transmit Configuration 2 Register and Receive Configuration 2 Register (TCR2[MSEL] and RCR2[MSEL]) selects the master clock.

The following table shows the TCR2[MSEL] and RCR2[MSEL] field settings for this device.

Table 3-48. I2S0 master clock settings

TCR2[MSEL], RCR2[MSEL]	Master Clock
00	Bus Clock
01	I2S0_MCLK
10	Not supported
11	Not supported

3.9.4.3.5 Clock gating and I²S/SAI initialization

The clock to the I²S/SAI module can be gated using a bit in the SIM. To minimize power consumption, these bits are cleared after any reset, which disables the clock to the corresponding module. The clock enable bit should be set by software at the beginning of the module initialization routine to enable the module clock before initialization of any of the I²S/SAI registers.

3.9.4.4 I²S/SAI operation in low power modes

3.9.4.4.1 Stop and very low power modes

In Stop mode, the SAI transmitter and/or receiver can continue operating provided the appropriate Stop Enable bit is set (TCSR[STOPE] and/or RCSR[STOPE], respectively), and provided the transmitter and/or receiver is/are using an externally generated bit clock or an Audio Master Clock that remains operating in Stop mode. The SAI transmitter and/or receiver can generate an asynchronous interrupt to wake the CPU from Stop mode.

In VLPS mode, the module behaves as it does in stop mode if VLPS mode is entered from run mode. However, if VLPS mode is entered from VLPR mode, the FIFO might underflow or overflow before wakeup from stop mode due to the limits in bus bandwidth. In VLPW and VLPR modes, the module is limited by the maximum bus clock frequencies.

When operating from an internally generated bit clock or Audio Master Clock that is disabled in stop modes:

In Stop mode, if the Transmitter Stop Enable (TCSR[STOPE]) bit is clear, the transmitter is disabled after completing the current transmit frame, and, if the Receiver Stop Enable (RCSR[STOPE]) bit is clear, the receiver is disabled after completing the current receive frame. Entry into Stop mode is prevented—not acknowledged—while waiting for the transmitter and receiver to be disabled at the end of the current frame.

3.9.4.4.2 Low-leakage modes

When entering low-leakage modes, the Stop Enable (TCSR[STOPE] and RCSR[STOPE]) bits are ignored and the SAI is disabled after completing the current transmit and receive Frames. Entry into stop mode is prevented (not acknowledged) while waiting for the transmitter and receiver to be disabled at the end of the current frame.

3.10 Human-machine interfaces (HMI)

3.10.1 GPIO configuration

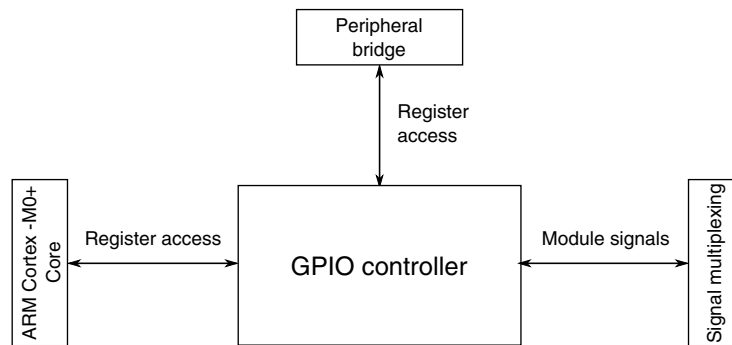


Figure 3-33. GPIO configuration

Table 3-49. Reference links to related information

Topic	Related module	Reference
Full description	GPIO	GPIO
System memory map	—	System memory map
Clocking	—	Clock distribution
Power management	—	Power management
Crossbar switch	Crossbar switch	Crossbar switch
Signal multiplexing	Port control	Signal multiplexing

3.10.1.1 GPIO instantiation information

The device includes four pins, PTB0, PTB1, PTD6, and PTD7, with high current drive capability. These pins can be used to drive LED or power MOSFET directly. The high drive capability applies to all functions which are multiplexed on these pins (UART, TPM, SPI...etc)

3.10.1.1.1 Pull devices and directions

The pull devices are enabled out of POR only on $\overline{\text{RESET_b}}$, $\overline{\text{NMI_b}}$ and respective SWD signals. Other pins can be enabled by writing to PORTx_PCRn[PE] .

All the pins have controllable pull direction using the PORTx_PCRn[PS] field. All the pins default to pullup except for SWD_CLK , when enabled.

3.10.1.2 Port control and interrupt summary

The following table provides more information regarding the Port Control and Interrupt configurations .

Table 3-50. Ports summary

Feature	Port A	Port B	Port C	Port D	Port E
Pull select control	Yes	Yes	Yes	Yes	Yes
Pull select at reset	PTA0=Pull down, Others=Pull up	Pull up	Pull up	Pull up	Pull up
Pull enable control	Yes	Yes	Yes	Yes	Yes
Pull enable at reset	PTA0/PTA3/PTA4/ RESET_b=Enabled ; Others=Disabled	Disabled	Disabled	Disabled	Disabled
Slew rate enable control	Yes	Yes	Yes	Yes	Yes
Slew rate enable at reset	PTA3/PTA14/ PTA15/PTA16/ PTA17=Disabled; Others=Enabled	PTB10/PTB11/ PTB16/PTB17 = Disabled; Others=Enabled	PTC3/PTC4/PTC5/ PTC6/ PTC7=Disabled; Others=Enabled	PTD4/PTD5/PTD6/ PTD7=Disabled; Others=Enabled	PTE16/PTE17/ PTE18/ PTE19=Disabled; Others=Enabled
Passive filter enable control	PTA4 and RESET_b only	No	No	No	No
Passive filter enable at reset	RESET_b=Enabled ; Others=Disabled	Disabled	Disabled	Disabled	Disabled
Open drain enable control ¹	No	No	No	No	No
Open drain enable at reset	Disabled	Disabled	Disabled	Disabled	Disabled
Drive strength enable control	No	PTB0/PTB1 only	No	PTD6/PTD7 only	No
Drive strength enable at reset	Disabled	Disabled	Disabled	Disabled	Disabled
Pin mux control	Yes	Yes	Yes	Yes	Yes
Pin mux at reset	PTA0/PTA3/ PTA4=ALT7; Others=ALT0	ALT0	ALT0	ALT0	ALT0
Lock bit	No	No	No	No	No
Interrupt and DMA request	Yes	No	Yes	Yes	No
Digital glitch filter	No	No	No	No	No

1. UART signals can be configured for open-drain using SIM_SOPT5 register. IIC signals are automatically enabled for open drain when selected.

3.10.1.3 GPIO accessibility in the memory map

The GPIO is multi-ported and can be accessed directly by the core with zero wait states at base address 0xF800_0000. It can also be accessed by the core and DMA masters through the cross bar/AIPS interface at 0x400F_F000 and at an aliased slot (15) at address 0x4000_F000. All BME operations to the GPIO space can be accomplished referencing the aliased slot (15) at address 0x4000_F000. Only some of the BME operations can be accomplished referencing GPIO at address 0x400F_F000.

3.10.2 TSI Configuration

This section summarizes how the module has been configured in the chip. For a comprehensive description of the module itself, see the module's dedicated chapter.

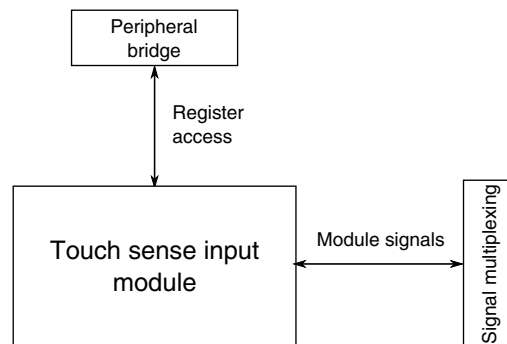


Figure 3-34. TSI configuration

Table 3-51. Reference links to related information

Topic	Related module	Reference
Full description	TSI	TSI
System memory map		System memory map
Clocking		Clock Distribution
Power management		Power management
Signal Multiplexing	Port control	Signal Multiplexing

3.10.2.1 TSI Instantiation Information

This device includes one TSI module containing the channels as shown in the following table. In Stop, VLPS, LLS and VLLSx modes any one channel can be enabled to be the wakeup source.

TSI hardware trigger is from the LPTMR. For complete details on the LPTMR module interconnects refer to the [Module-to-Module section](#).

The number of TSI channels present on the device is determined by the pinout of the specific device package and is shown in the following table.

Table 3-52. Number of KL36 TSI channels

Device	TSI channels
MKL36Z64VLH4	16
MKL36Z128VLH4	16
MKL36Z256VLH4	16
MKL36Z64VLL4	16
MKL36Z128VLL4	16
MKL36Z256VLL4	16
MKL36Z128VMC4	16
MKL36Z256VMC4	16

3.10.2.2 TSI Interrupts

The TSI has multiple sources of interrupt requests. However, these sources are OR'd together to generate a single interrupt request. When a TSI interrupt occurs, read the TSI status register to determine the exact interrupt source.

3.10.3 Segment LCD Configuration

This section summarizes how the module has been configured in the chip. For a comprehensive description of the module itself, see the module’s dedicated chapter.

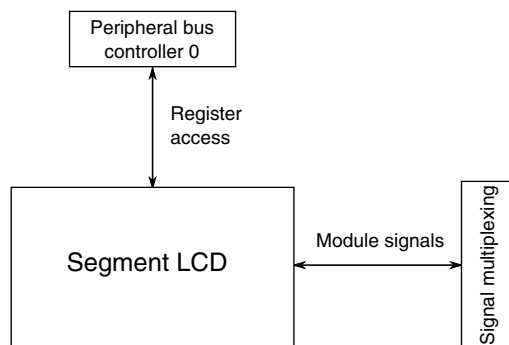


Figure 3-35. SLCD configuration

Table 3-53. Reference links to related information

Topic	Related module	Reference
Full description	Segment LCD	Segment LCD

Table continues on the next page...

Table 3-53. Reference links to related information (continued)

Topic	Related module	Reference
System memory map		System memory map
Clocking		Clock Distribution
Power management		Power management
Signal Multiplexing	Port control	Signal Multiplexing

3.10.3.1 Overview

The device includes one Segment LCD (SLCD) module with up to 8 backplanes and up to 47 frontplanes. Maximum segment is 8X47 or 4x51. The SLCD derives from Kinetis with segment fault detection function.

3.10.3.2 LCD clock source

The following table shows the LCD clock and the corresponding chip clock source options controlled by LCD_GCR[SOURCE] and LCD_GCR[ALTSOURCE] control bits.

Table 3-54. LCD clock source

Module clock	Chip clock
Default clock (external crystal or reference clock) (LCD_GCR[SOURCE] = 0 and LCD_GCR[ALTSOURCE] = x)	Default clock is ERCLK32K. This clock source is controlled from SIM_SOPT1[OSC32KSEL] bit. For LCD operation the low range system OSC output clock (OSC32KCLK) or RTC_CLKIN are acceptable clock selections. When selecting RTC_CLKIN, the external pin must be clocking at a frequency that meets operating frequency requirements for the SLCD module. The 1kHz LPO clock is not in a valid operating range for the LCD and should not be selected when ERCLK32K is the selected clock source for the LCD.
Alternate clock (LCD_GCR[SOURCE] = 1 and LCD_GCR[ALTSOURCE] = 0)	Alternate clock is the MCGIRCLK that is either the 32 kHz slow internal reference clock or the 4 MHz fast internal reference clocks that can be divided down using MCG_SC[FCRDIV]. This option is selected by the user in the MCG module. The clock defaults to 32 kHz slow internal reference clock.
Alternate2 clock (LCD_GCR[SOURCE] = 1 and LCD_GCR[ALTSOURCE] = 1)	Alternate2 clock is OSCERCLK.

3.10.3.3 Segment LCD Interrupts

The Segment LCD has multiple interrupt sources. However, all of these sources are OR'd together to generate a single interrupt request. Read related status registers to determine the cause of the interrupt.

Chapter 4

Memory Map

4.1 Introduction

This device contains various memories and memory-mapped peripherals which are located in a 4 GB memory space.

This chapter describes the memory and peripheral locations within that memory space.

4.2 System memory map

The following table shows the high-level device memory map.

Table 4-1. System memory map

System 32-bit address range	Destination slave	Access
0x0000_0000–0x07FF_FFFF ¹	Program flash and read-only data (Includes exception vectors in first 196 bytes)	All masters
0x0800_0000–0x1FFF_DFFF	Reserved	—
0x1FFF_E000–0x1FFF_FFFF ²	SRAM_L: Lower SRAM	All masters
0x2000_0000–0x2000_5FFF ²	SRAM_U: Upper SRAM	All masters
0x2000_6000–0x3FFF_FFFF	Reserved	–
0x4000_0000–0x4007_FFFF	AIPS Peripherals	Cortex-M0+ core & DMA
0x4008_0000–0x400F_EFFF	Reserved	–
0x400F_F000–0x400F_FFFF	General-purpose input/output (GPIO)	Cortex-M0+ core & DMA
0x4010_0000–0x43FF_FFFF	Reserved	–
0x4400_0000–0x5FFF_FFFF	Bit Manipulation Engine (BME) access to AIPS Peripherals for slots 0-127 ³	Cortex-M0+ core
0x6000_0000–0xDFFF_FFFF	Reserved	–
0xE000_0000–0xE00F_FFFF	Private Peripherals	Cortex-M0+ core
0xE010_0000–0xEFFF_FFFF	Reserved	–

Table continues on the next page...

Table 4-1. System memory map (continued)

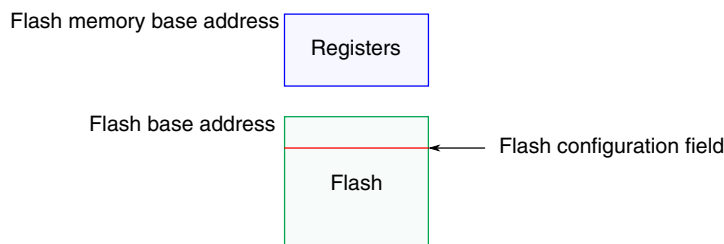
System 32-bit address range	Destination slave	Access
0xF000_0000–0xF000_0FFF	Micro Trace Buffer (MTB) registers	Cortex-M0+ core
0xF000_1000–0xF000_1FFF	MTB Data Watchpoint and Trace (MTBDWT) registers	Cortex-M0+ core
0xF000_2000–0xF000_2FFF	ROM table	Cortex-M0+ core
0xF000_3000–0xF000_3FFF	Miscellaneous Control Module (MCM)	Cortex-M0+ core
0xF000_4000–0xF7FF_FFFF	Reserved	–
0xF800_0000–0xFFFF_FFFF	IOPORT: GPIO (single cycle)	Cortex-M0+ core

1. The program flash always begins at 0x0000_0000 but the end of implemented flash varies depending on the amount of flash implemented for a particular device. See [Flash memory sizes](#) for details.
2. This range varies depending on SRAM sizes. See [SRAM ranges](#) for details.
3. Includes BME operations to GPIO at slot 15 (based at 0x4000_F000).

4.3 Flash memory map

The flash memory and the flash registers are located at different base addresses as shown in the figure found here.

The base address for each is specified in [System memory map](#).

**Figure 4-1. Flash memory map**

The on-chip flash memory is implemented in a portion of the allocated Flash range to form a contiguous block in the memory map beginning at address 0x0000_0000. See [Flash and EEPROM memory sizes](#) for details of supported ranges.

Access to the flash memory ranges outside the amount of flash on the device causes the bus cycle to be terminated with an error followed by the appropriate response in the requesting bus master.

4.3.1 Alternate non-volatile IRC user trim description

The following non-volatile locations (4 bytes) are reserved for custom IRC user trim supported by some development tools. An alternate IRC trim to the factory loaded trim can be stored at this location. To override the factory trim, the user software must load new values into the MCG trim registers.

Non-volatile byte address	Alternate IRC Trim Value
0x0000_03FC	Reserved
0x0000_03FD	Reserved
0x0000_03FE (bit 0)	SCFTRIM
0x0000_03FE (bit 4:1)	FCTRIM
0x0000_03FE (bit 6)	FCFTRIM
0x0000_03FF	SCTRIM

4.4 SRAM memory map

The on-chip RAM is split between SRAM_L and SRAM_U. The RAM is also implemented such that the SRAM_L and SRAM_U ranges form a contiguous block in the memory map.

See [SRAM ranges](#) for details.

Access to the SRAM_L and SRAM_U memory ranges outside the amount of RAM on the device causes the bus cycle to be terminated with an error followed by the appropriate response in the requesting bus master.

4.5 Bit Manipulation Engine

The Bit Manipulation Engine (BME) provides hardware support for atomic read-modify-write memory operations to the peripheral address space.

By combining the basic load and store instruction support in the Cortex-M instruction set architecture with the concept of decorated storage provided by the BME, the resulting implementation provides a robust and efficient read-modify-write capability to this class of ultra low-end microcontrollers. See the [Bit Manipulation Engine Block Guide \(BME\)](#) for a detailed description of BME functionality.

4.6 Peripheral bridge (AIPS-Lite) memory map

The peripheral memory map is accessible via one slave port on the crossbar in the 0x4000_0000–0x400F_FFFF region. The device implements one peripheral bridge that defines a 1024 KB address space.

The three regions associated with this space are:

- A 128 KB region, partitioned as 32 spaces, each 4 KB in size and reserved for on-platform peripheral devices. The AIPS controller generates unique module enables for all 32 spaces.
- A 384 KB region, partitioned as 96 spaces, each 4 KB in size and reserved for off-platform modules. The AIPS controller generates unique module enables for all 96 spaces.
- The last slot is a 4 KB region beginning at 0x400F_F000 for accessing the GPIO module. The GPIO slot (slot 128) is an alias of slot 15. This block is also directly interfaced to the core and provides direct access without incurring wait states associated with accesses via the AIPS controller.

Modules that are disabled via their clock gate control bits in the SIM registers disable the associated AIPS slots. Access to any address within an unimplemented or disabled peripheral bridge slot results in a transfer error termination.

For programming model accesses via the peripheral bridges, there is generally only a small range within the 4 KB slots that is implemented. Accessing an address that is not implemented in the peripheral results in a transfer error termination.

4.6.1 Read-after-write sequence and required serialization of memory operations

In some situations, a write to a peripheral must be completed fully before a subsequent action can occur. Examples of such situations include:

- Exiting an interrupt service routine (ISR)
- Changing a mode
- Configuring a function

In these situations, the application software must perform a read-after-write sequence to guarantee the required serialization of the memory operations:

1. Write the peripheral register.
2. Read the written peripheral register to verify the write.
3. Continue with subsequent operations.

4.6.2 Peripheral bridge (AIPS-Lite) memory map

Table 4-2. Peripheral bridge 0 slot assignments

System 32-bit base address	Slot number	Module
0x4000_0000	0	—
0x4000_1000	1	—
0x4000_2000	2	—
0x4000_3000	3	—
0x4000_4000	4	—
0x4000_5000	5	—
0x4000_6000	6	—
0x4000_7000	7	—
0x4000_8000	8	DMA controller
0x4000_9000	9	—
0x4000_A000	10	—
0x4000_B000	11	—
0x4000_C000	12	—
0x4000_D000	13	—
0x4000_E000	14	—
0x4000_F000	15	GPIO controller (aliased to 0x400F_F000)
0x4001_0000	16	—
0x4001_1000	17	—
0x4001_2000	18	—
0x4001_3000	19	—
0x4001_4000	20	—
0x4001_5000	21	—
0x4001_6000	22	—
0x4001_7000	23	—
0x4001_8000	24	—
0x4001_9000	25	—
0x4001_A000	26	—
0x4001_B000	27	—
0x4001_C000	28	—
0x4001_D000	29	—
0x4001_E000	30	—
0x4001_F000	31	—
0x4002_0000	32	Flash memory
0x4002_1000	33	DMA channel mutiplexer 0
0x4002_2000	34	—

Table continues on the next page...

Table 4-2. Peripheral bridge 0 slot assignments (continued)

System 32-bit base address	Slot number	Module
0x4002_3000	35	—
0x4002_4000	36	—
0x4002_5000	37	—
0x4002_6000	38	—
0x4002_7000	39	—
0x4002_8000	40	—
0x4002_9000	41	—
0x4002_A000	42	—
0x4002_B000	43	—
0x4002_C000	44	—
0x4002_D000	45	—
0x4002_E000	46	—
0x4002_F000	47	I2S0
0x4003_0000	48	—
0x4003_1000	49	—
0x4003_2000	50	—
0x4003_3000	51	—
0x4003_4000	52	—
0x4003_5000	53	—
0x4003_6000	54	—
0x4003_7000	55	Periodic interrupt timers (PIT)
0x4003_8000	56	Timer/PWM (TPM) 0
0x4003_9000	57	Timer/PWM (TPM) 1
0x4003_A000	58	Timer/PWM (TPM) 2
0x4003_B000	59	Analog-to-digital converter (ADC) 0
0x4003_C000	60	—
0x4003_D000	61	Real-time clock (RTC)
0x4003_E000	62	—
0x4003_F000	63	DAC0
0x4004_0000	64	Low-power timer (LPTMR)
0x4004_1000	65	System register file
0x4004_2000	66	—
0x4004_3000	67	—
0x4004_4000	68	—
0x4004_5000	69	Touch sense interface (TSI)
0x4004_6000	70	—
0x4004_7000	71	SIM low-power logic
0x4004_8000	72	System integration module (SIM)
0x4004_9000	73	Port A multiplexing control

Table continues on the next page...

Table 4-2. Peripheral bridge 0 slot assignments (continued)

System 32-bit base address	Slot number	Module
0x4004_A000	74	Port B multiplexing control
0x4004_B000	75	Port C multiplexing control
0x4004_C000	76	Port D multiplexing control
0x4004_D000	77	Port E multiplexing control
0x4004_E000	78	—
0x4004_F000	79	—
0x4005_0000	80	—
0x4005_1000	81	—
0x4005_2000	82	—
0x4005_3000	83	Segment LCD (SLCD)
0x4005_4000	84	—
0x4005_5000	85	—
0x4005_6000	86	—
0x4005_7000	87	—
0x4005_8000	88	—
0x4005_9000	89	—
0x4005_A000	90	—
0x4005_B000	91	—
0x4005_C000	92	—
0x4005_D000	93	—
0x4005_E000	94	—
0x4005_F000	95	—
0x4006_0000	96	—
0x4006_1000	97	—
0x4006_2000	98	—
0x4006_3000	99	—
0x4006_4000	100	Multi-purpose clock generator (MCG)
0x4006_5000	101	System oscillator (OSC)
0x4006_6000	102	I ² C 0
0x4006_7000	103	I ² C 1
0x4006_8000	104	—
0x4006_9000	105	—
0x4006_A000	106	UART 0
0x4006_B000	107	UART 1
0x4006_C000	108	UART 2
0x4006_D000	109	—
0x4006_E000	110	—
0x4006_F000	111	—
0x4007_0000	112	—

Table continues on the next page...

Table 4-2. Peripheral bridge 0 slot assignments (continued)

System 32-bit base address	Slot number	Module
0x4007_1000	113	—
0x4007_2000	114	—
0x4007_3000	115	Analog comparator (CMP) / 6-bit digital-to-analog converter (DAC)
0x4007_4000	116	—
0x4007_5000	117	—
0x4007_6000	118	SPI 0
0x4007_7000	119	SPI 1
0x4007_8000	120	—
0x4007_9000	121	—
0x4007_A000	122	—
0x4007_B000	123	—
0x4007_C000	124	Low-leakage wakeup unit (LLWU)
0x4007_D000	125	Power management controller (PMC)
0x4007_E000	126	System mode controller (SMC)
0x4007_F000	127	Reset control module (RCM)
0x400F_F000	128	GPIO controller

4.6.3 Modules restricted access in user mode

In user mode, for MCG, RCM, SIM (slot 71 and 72), SMC, LLWU, and PMC, reads are allowed, but writes are blocked and generate bus error.

4.7 Private Peripheral Bus (PPB) memory map

The PPB is part of the defined ARM bus architecture and provides access to select processor-local modules. These resources are only accessible from the core; other system masters do not have access to them.

Table 4-3. PPB memory map

System 32-bit Address Range	Resource	Additional Range Detail	Resource
0xE000_0000–0xE000_DFFF	Reserved		

Table continues on the next page...

Table 4-3. PPB memory map (continued)

System 32-bit Address Range	Resource	Additional Range Detail	Resource
0xE000_E000–0xE000_EFFF	System Control Space (SCS)	0xE000_E000–0xE000_E00F	Reserved
		0xE000_E010–0xE000_E0FF	SysTick
		0xE000_E100–0xE000_ECFF	NVIC
		0xE000_ED00–0xE000_ED8F	System Control Block
		0xE000_ED90–0xE000_EDEF	Reserved
		0xE000_EDF0–0xE000_EEFF	Debug
		0xE000_EF00–0xE000_EFFF	Reserved
0xE000_F000–0xE00F_EFFF	Reserved		
0xE00F_F000–0xE00F_FFFF	Core ROM Space (CRS)		

Chapter 5

Clock Distribution

5.1 Introduction

This chapter presents the clock architecture for the device, the overview of the clocks and includes a terminology section.

The Cortex M0+ resides within a synchronous core platform, where the processor and bus masters, flash memory, and peripheral clocks can be configured independently. The clock distribution figure shows how clocks from the MCG and XOSC modules are distributed to the microcontroller's other function units. Some modules in the microcontroller have selectable clock input.

5.2 Programming model

The selection and multiplexing of system clock sources is controlled and programmed via the MCG module. The setting of clock dividers and module clock gating for the system are programmed via the SIM module. Refer to the [MCG](#) and [SIM](#) sections for detailed register and bit descriptions.

5.3 High-level device clocking diagram

The following [system oscillator](#), [MCG](#), and [SIM](#) module registers control the multiplexers, dividers, and clock gates shown in the following figure:

	OSC	MCG	SIM
Multiplexers	MCG_Cx	MCG_Cx	SIM_SOPT1, SIM_SOPT2
Dividers	—	MCG_Cx	SIM_CLKDIVx
Clock gates	OSC_CR	MCG_C1	SIM_SCGCx

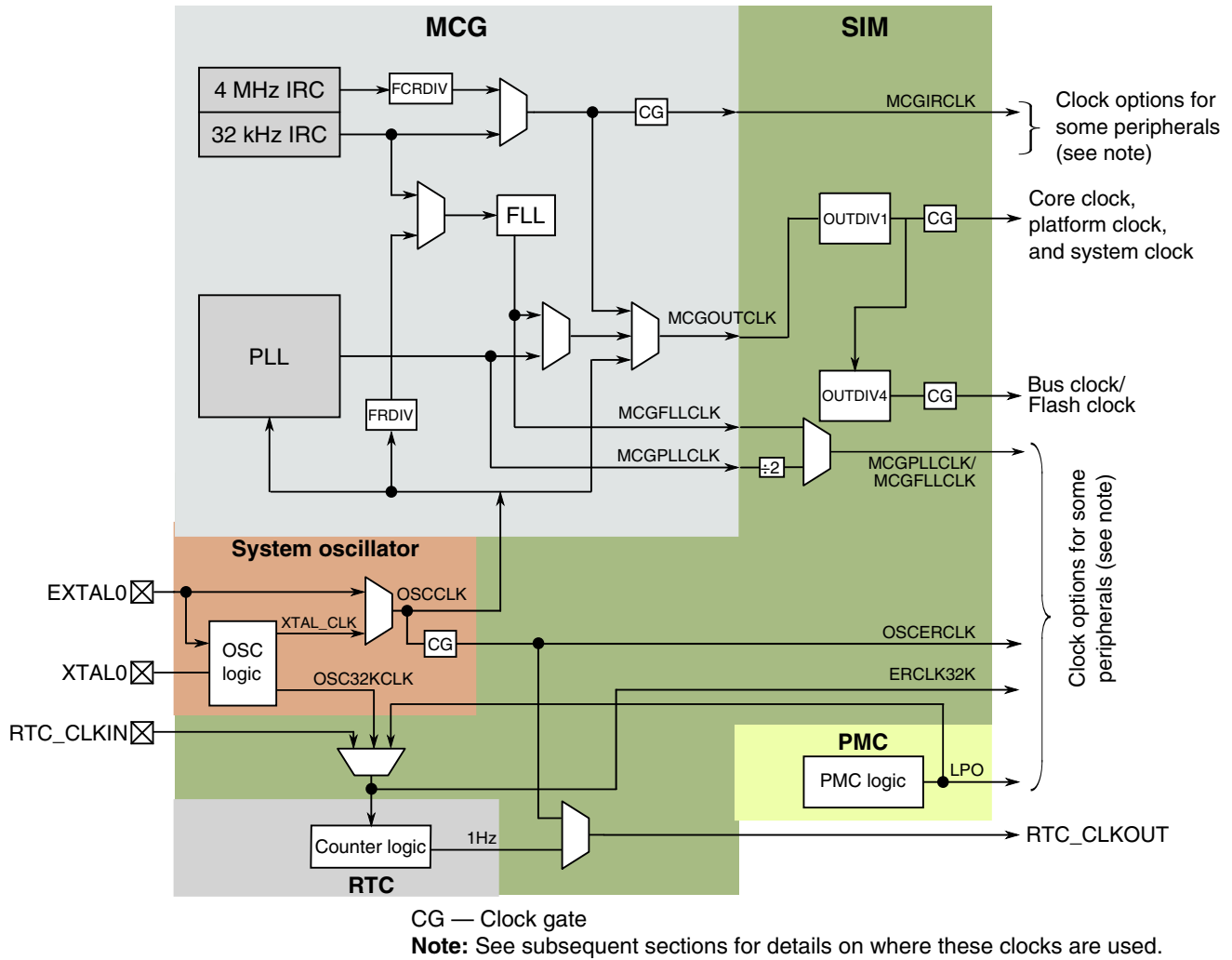


Figure 5-1. Clocking diagram

5.4 Clock definitions

The following table describes the clocks in the previous block diagram.

Clock name	Description
Core clock	MCGOUTCLK divided by OUTDIV1 Clocks the ARM Cortex-M0+ core.
Platform clock	MCGOUTCLK divided by OUTDIV1 Clocks the crossbar switch and NVIC.
System clock	MCGOUTCLK divided by OUTDIV1 Clocks the bus masters directly .

Table continues on the next page...

Clock name	Description
Bus clock	System clock divided by OUTDIV4. Clocks the bus slaves and peripherals.
Flash clock	Flash memory clock On this device, it is the same as Bus clock.
MCGIRCLK	MCG output of the slow or fast internal reference clock
MCGOUTCLK	MCG output of either IRC, MCGFLLCLK, MCGPLLCLK, or MCG's external reference clock that sources the core, system, bus, and flash clock.
MCGFLLCLK	MCG output of the FLL MCGFLLCLK or MCGPLLCLK may clock some modules. In addition, this clock is used for UART0 and TPM modules.
MCGPLLCLK	MCG output of the PLL. MCGFLLCLK or MCGPLLCLK may clock some modules. In addition, this clock is used for UART0 and TPM modules.
OSCCLK	System oscillator output of the internal oscillator or sourced directly from EXTAL. Used as MCG external reference clock.
OSCERCLK	System oscillator output sourced from OSCCLK that may clock some on-chip modules
OSC32KCLK	System oscillator 32kHz output
ERCLK32K	Clock source for some modules that is chosen as OSC32KCLK or RTC_CLKIN
LPO	PMC 1 kHz output

5.4.1 Device clock summary

The following table provides more information regarding the on-chip clocks.

Table 5-1. Clock summary

Clock name	Run mode clock frequency	VLPR mode clock frequency	Clock source	Clock is disabled when...
MCGOUTCLK	Up to 100 MHz	Up to 4 MHz	MCG	In all stop modes except for partial stop modes and during PLL locking when MCGOUTCLK derived from PLL.
MCGFLLCLK	Up to 48 MHz	N/A	MCG	MCG clock controls are not enabled and in all stop modes

Table continues on the next page...

Table 5-1. Clock summary (continued)

Clock name	Run mode clock frequency	VLPR mode clock frequency	Clock source	Clock is disabled when...
MCGPLLCLK	Up to 100 MHz	N/A	MCG	MCG clock controls do not enable, in Stop mode but PLLSTEN=0, or in VLPS, LLS and VLLSx modes
Core clock	Up to 48 MHz	Up to 4 MHz	MCGOUTCLK clock divider	In all wait and stop modes
Platform clock	Up to 48 MHz	Up to 4 MHz	MCGOUTCLK clock divider	In all stop modes
System clock	Up to 48 MHz	Up to 4 MHz	MCGOUTCLK clock divider	In all stop modes and Compute Operation
Bus clock	Up to 24 MHz	Up to 1 MHz ¹	MCGOUTCLK clock divider	In all stop modes except for partial STOP2 mode, and Compute Operation
SWD Clock	Up to 24 MHz	Up to 1 MHz	SWD_CLK pin	In all stop modes
Flash clock	Up to 24 MHz	Up to 1 MHz in BLPE Up to 800 kHz in BLPI	MCGOUTCLK clock divider	In all stop modes except for partial STOP2 mode
Internal reference (MCGIRCLK)	30–40 kHz Slow IRC or 4 MHz Fast IRC	4 MHz Fast IRC only	MCG	MCG_C1[IRCLKEN] cleared, Stop/VLPS mode and MCG_C1[IREFSTEN] cleared, or LLS/VLLS mode
External reference (OSCERCLK)	Up to 48 MHz (bypass), 30–40 kHz or 3-32 MHz (crystal)	Up to 16 MHz (bypass), 30–40 kHz (low-range crystal) or 3-16 MHz (high-range crystal)	System OSC	System OSC's OSC_CR[ERCLKEN] cleared, or Stop mode and OSC_CR[EREFSTEN] cleared or VLLS0 and oscillator not in external clock mode.
External reference 32kHz (ERCLK32K)	30–40 kHz	30–40 kHz	System OSC , or RTC_CLKIN	System OSC's OSC_CR[ERCLKEN] cleared and RTC's RTC_CR[OSCE] cleared or VLLS0 and oscillator not in external clock mode.

Table continues on the next page...

Table 5-1. Clock summary (continued)

Clock name	Run mode clock frequency	VLPR mode clock frequency	Clock source	Clock is disabled when...
RTC_CLKOUT	RTC 1Hz, OSCERCLK	RTC 1Hz, OSCERCLK	RTC 1Hz, OSCERCLK	Clock is disabled in LLS and VLLSx modes
LPO	1 kHz	1 kHz	PMC	in VLLS0
TPM clock	Up to 48 MHz	Up to 8 MHz	MCGIRCLK, MCGPLLCLK/2, MCGFLLCLK, or OSCERCLK	SIM_SOPT2[TPMSRC]=00 or selected clock source disabled.
UART0 clock	Up to 48 MHz	Up to 8 MHz	MCGIRCLK, MCGPLLCLK/2, MCGFLLCLK, or OSCERCLK	SIM_SOPT2[UART0SRC]=00 or selected clock source disabled.
I2S master clock	Up to 25 MHz	Up to 16 MHz	System clock, MCGPLLCLK, OSCERCLK or I2S_CLKIN	I ² S is disabled

1. If in BLPI mode, where clocking is derived from the fast internal reference clock, the Bus clock and flash clock frequency needs to be limited to 800 kHz if executing from flash.

5.5 Internal clocking requirements

The clock dividers are programmed via the CLKDIV registers of the SIM module. The following requirements must be met when configuring the clocks for this device:

- The core, platform, and system clock are programmable from a divide-by-1 through divide-by-16 setting. The core, platform, and system clock frequencies must be 48 MHz or slower.
- The frequency of bus clock and flash clock is divided by the system clock and is programmable from a divide-by-1 through divide-by-8 setting. The bus clock and flash clock must be programmed to 24 MHz or slower.

The following is a common clock configuration for this device:

Clock	Frequency
Core clock	48 MHz
Platform clock	48 MHz
System clock	48 MHz
Bus clock	24 MHz
Flash clock	24 MHz

5.5.1 Clock divider values after reset

Each clock divider is programmed via the CLKDIV1 registers of the SIM module. Two bits in the flash memory's FTFA_FOPT register control the reset value of the core clock, system clock, bus clock, and flash clock dividers as shown in the table given below:

FTFA_FOPT [4,0]	Core/system clock	Bus/Flash clock	Description
00	0x7 (divide by 8)	0x1 (divide by 2)	Low power boot
01	0x3 (divide by 4)	0x1 (divide by 2)	Low power boot
10	0x1 (divide by 2)	0x1 (divide by 2)	Low power boot
11	0x0 (divide by 1)	0x1 (divide by 2)	Fast clock boot

This gives the user flexibility in selecting between a lower frequency, low-power boot option and higher frequency, higher power during and after reset.

The flash erased state defaults to fast clocking mode, since these bits reside in flash, which is logic 1 in the flash erased state. To enable a lower power boot option, program the appropriate bits in FTFA_FOPT. During the reset sequence, if either of the control bits is cleared, the system is in a slower clock configuration. Upon any system reset, the clock dividers return to this configurable reset state.

5.5.2 VLPR mode clocking

The clock dividers cannot be changed while in VLPR mode. These dividers must be programmed prior to entering VLPR mode to guarantee operation. Maximum frequency limitations for VLPR mode is as follows :

- the core/system clocks are less than or equal to 4 MHz, and
- the bus and flash clocks are less than or equal to 1 MHz

NOTE

When the MCG is in BLPI and clocking is derived from the Fast IRC, the clock divider controls (MCG_SC[FCRDIV], SIM_CLKDIV1[OUTDIV1], and SIM_CLKDIV1[OUTDIV4]) must be programmed such that the resulting flash clock nominal frequency is 800 kHz or less. In this case, one example of correct configuration is MCG_SC[FCRDIV] = 000b, SIM_CLKDIV1[OUTDIV1] = 0000b, and SIM_CLKDIV1[OUTDIV4] = 100b, resulting in a divide-by-5 setting.

5.6 Clock gating

The clock to each module can be individually gated on and off using bits of the SCGC_x registers of the SIM module. These bits are cleared after any reset, which disables the clock to the corresponding module to conserve power. Prior to initializing a module, set the corresponding bit in the SCGC_x register to enable the clock. Before turning off the clock, make sure to disable the module.

Any bus access to a peripheral that has its clock disabled generates an error termination.

5.7 Module clocks

The following table summarizes the clocks associated with each module.

Table 5-2. Module clocks

Module	Bus interface clock	Internal clocks	I/O interface clocks
Core modules			
ARM Cortex-M0+ core	Platform clock	Core clock	—
NVIC	Platform clock	—	—
DAP	Platform clock	—	SWD_CLK
System modules			
DMA	System clock	—	—
DMA Mux	Bus clock	—	—
Port control	Bus clock	—	—
Crossbar Switch	Platform clock	—	—
Peripheral bridges	System clock	Bus clock	—
LLWU, PMC, SIM, RCM	Bus clock	LPO	—
Mode controller	Bus clock	—	—
MCM	Platform clock	—	—
Watchdog timer	Bus clock	LPO	—
Clocks			
MCG	Bus clock	MCGOUTCLK, MCGPLLCLK, MCGFLLCLK, MCGIRCLK, OSCERCLK	—
OSC	Bus clock	OSCERCLK	—
Memory and memory interfaces			
Flash Controller	Platform clock	Flash clock	—
Flash memory	Flash clock	—	—
Analog			

Table continues on the next page...

Table 5-2. Module clocks (continued)

Module	Bus interface clock	Internal clocks	I/O interface clocks
ADC	Bus clock	OSCERCLK	—
CMP	Bus clock	—	—
DAC	Bus clock	—	—
Timers			
TPM	Bus clock	TPM clock	TPM_CLKIN0, TPM_CLKIN1
PIT	Bus clock	—	—
LPTMR	Bus clock	LPO, OSCERCLK, MCGIRCLK, ERCLK32K	—
RTC	Bus clock	ERCLK32K	RTC_CLKOUT
Communication interfaces			
SPI0	Bus clock	—	SPI0_SCK
SPI1	System clock	—	SPI1_SCK
I ² C0	Bus clock	—	I2C0_SCL
I ² C1	System clock	—	I2C1_SCL
UART0	Bus clock	UART0 clock	—
UART1 , UART2	Bus clock	—	—
I ² S	Bus clock	I ² S master clock	I2S_TX_BCLK, I2S_RX_BCLK
Human-machine interfaces			
GPIO	Platform clock	—	—
TSI	Bus clock	—	—
Segment LCD	Bus clock	ERCLK32K, MCGIRCLK, OSCERCLK	—

5.7.1 PMC 1-kHz LPO clock

The Power Management Controller (PMC) generates a 1-kHz clock that is enabled in all modes of operation, including all low-power modes except VLLS0. This 1-kHz source is commonly referred to as LPO clock or 1-kHz LPO clock.

5.7.2 COP clocking

The COP may be clocked from two clock sources as shown in the following figure.

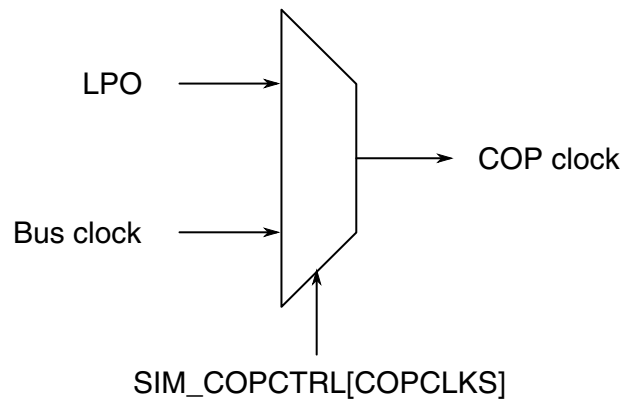


Figure 5-2. COP clock generation

5.7.3 RTC clocking

The RTC module can be clocked as shown in the following figure.

NOTE

The chosen clock must remain enabled if the RTC is to continue operating in all required low-power modes.

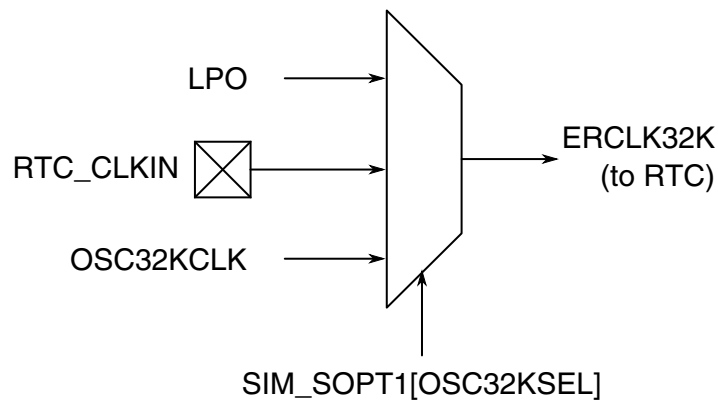


Figure 5-3. RTC clock generation

5.7.4 LPTMR clocking

The prescaler and glitch filters in each of the LPTMR_x modules can be clocked as shown in the following figure.

NOTE

The chosen clock must remain enabled if the LPTMR_x is to continue operating in all required low-power modes.

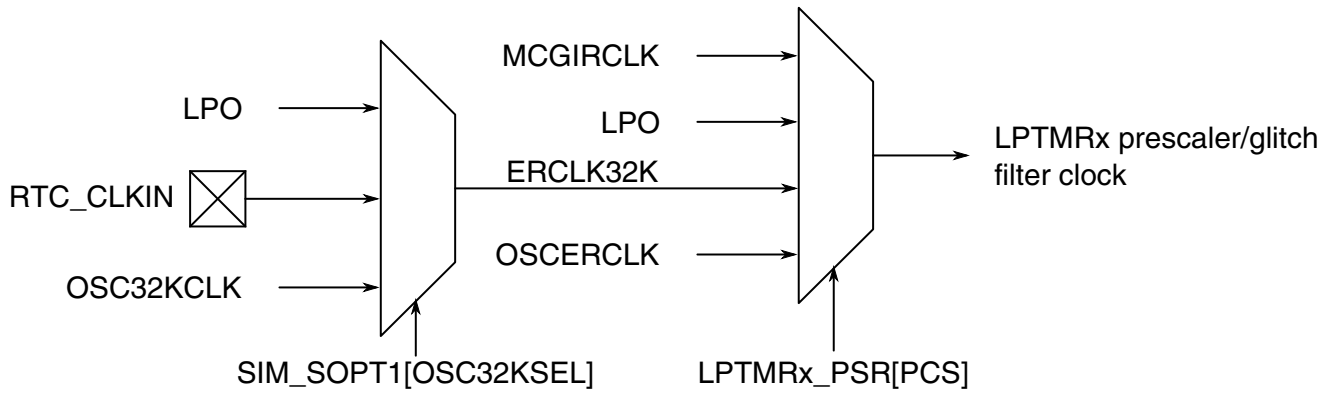


Figure 5-4. LPTMRx prescaler/glitch filter clock generation

5.7.5 TPM clocking

The counter for the TPM modules has a selectable clock as shown in the following figure.

NOTE

The chosen clock must remain enabled if the TPM_x is to continue operating in all required low-power modes.

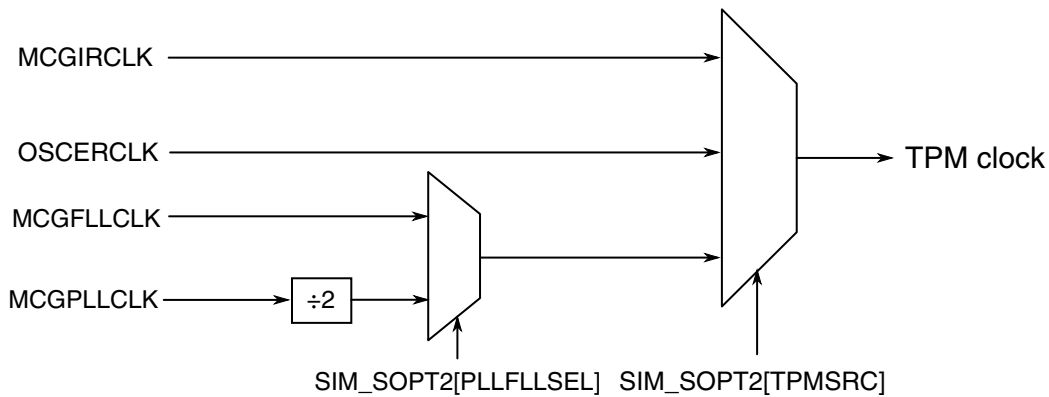


Figure 5-5. TPM clock generation

5.7.6 SPI clocking

SPI0 is clocked from the bus clock. That is, the SPI0 module clock is connected to the chip-level bus clock.

SPI1 is clocked from the system clock. That is, the SPI1 module clock is connected to the chip-level system clock. SPI1 is therefore disabled in "Partial Stop Mode".

5.7.7 I2C clocking

I2C0 is clocked from the bus clock.

I2C1 is clocked from the system clock. Clocking I2C1 at the faster system clock is needed to support standard I2C communication rates of 100 kbit/s in VLPR mode.

5.7.8 UART clocking

The UART0 module has a selectable clock as shown in the following figure. UART1 and UART2 modules operate from the bus clock.

NOTE

The chosen clock must remain enabled if the UART0 is to continue operating in all required low-power modes.

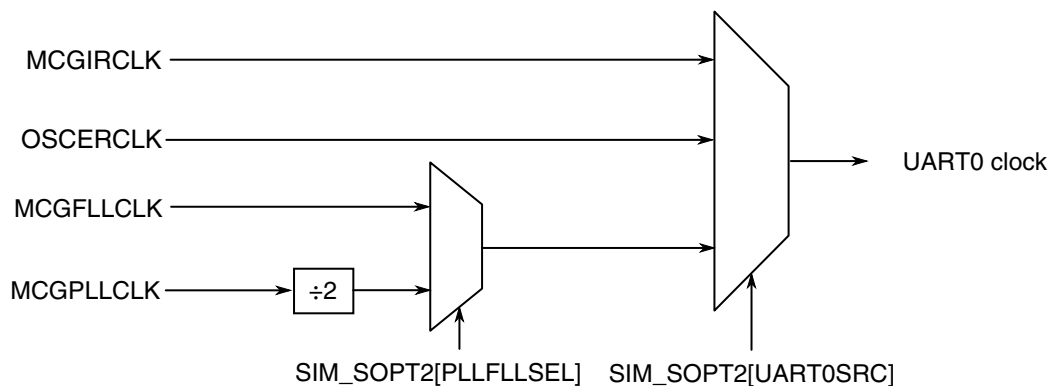


Figure 5-6. UART0 clock generation

5.7.9 I²S/SAI clocking

The audio master clock (MCLK) is used to generate the bit clock when the receiver or transmitter is configured for an internally generated bit clock. The audio master clock can also be output to or input from a pin. The transmitter and receiver have the same audio master clock inputs.

Each SAI peripheral can control the input clock selection, pin direction and divide ratio of one audio master clock.

Module clocks

The I²S/SAI transmitter and receiver support asynchronous bit clocks (BCLKs) that can be generated internally from the audio master clock or supplied externally. The module also supports the option for synchronous operation between the receiver and transmitter.

The transmitter and receiver can independently select between the bus clock and the audio master clock to generate the bit clock.

The MCLK and BCLK source options appear in the following figure.

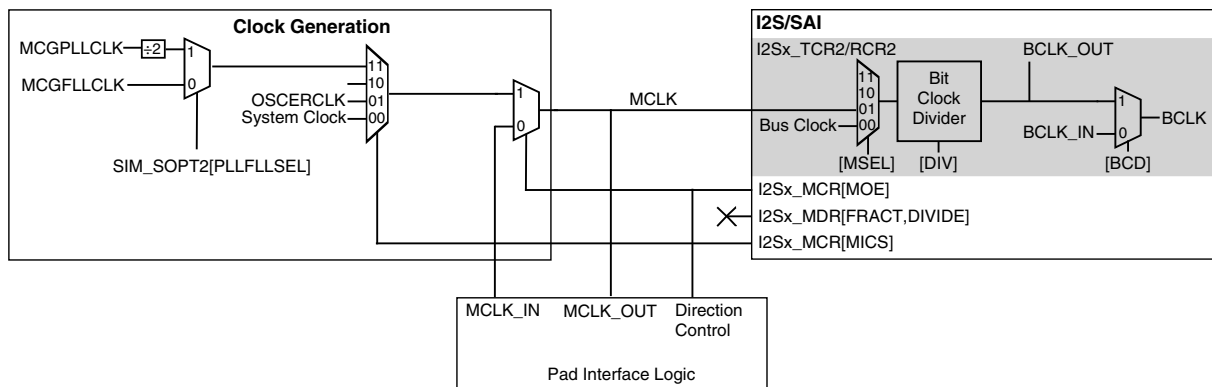


Figure 5-7. I²S/SAI clock generation

5.7.10 SLCD clocking

The SLCD module can be clocked as shown in the following figure.

NOTE

The chosen clock must remain enabled if the SLCD is to continue operating in all required low-power modes. Selecting the LPO clock is not a valid clocking configuration for the SLCD.

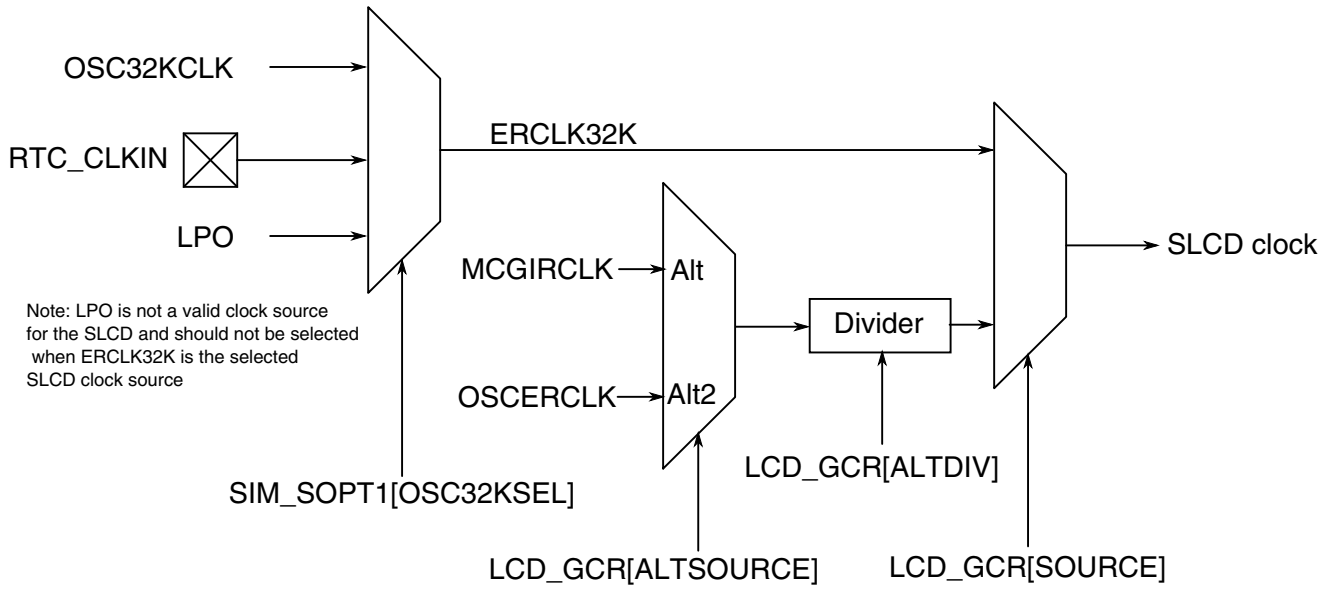


Figure 5-8. SLCD clock generation

Chapter 6

Reset and Boot

6.1 Introduction

The reset sources supported in this MCU are listed in the table found here.

Table 6-1. Reset sources

Reset sources	Description
POR reset	<ul style="list-style-type: none">• Power-on reset (POR)
System resets	<ul style="list-style-type: none">• External pin reset (PIN)• Low-voltage detect (LVD)• Computer operating properly (COP) watchdog reset• Low leakage wakeup (LLWU) reset• Multipurpose clock generator loss of clock (LOC) reset• Multipurpose clock generator loss of lock (LOL) reset• Stop mode acknowledge error (SACKERR)• Software reset (SW)• Lockup reset (LOCKUP)• MDM DAP system reset
Debug reset	<ul style="list-style-type: none">• Debug reset

Each of the system reset sources has an associated bit in the System Reset Status (SRS) registers. See the [Reset Control Module](#) for register details.

The MCU can exit and reset in functional mode where the CPU is executing code (default) or the CPU is in a debug halted state. There are several boot options that can be configured. See [Boot information](#) for more details.

6.2 Reset

The information found here discusses basic reset mechanisms and sources.

Some modules that cause resets can be configured to cause interrupts instead. Consult the individual peripheral chapters for more information.

6.2.1 Power-on reset (POR)

When power is initially applied to the MCU or when the supply voltage drops below the power-on reset re-arm voltage level (V_{POR}), the POR circuit causes a POR reset condition.

As the supply voltage rises, the LVD circuit holds the MCU in reset until the supply has risen above the LVD low threshold (V_{LVDL}). The POR and LVD fields in the Reset Status Register are set following a POR.

6.2.2 System reset sources

Resetting the MCU provides a way to start processing from a known set of initial conditions. System reset begins with the on-chip regulator in full regulation and system clocking generation from an internal reference. When the processor exits reset, it performs the following:

- Reads the start SP (SP_main) from vector-table offset 0
- Reads the start PC from vector-table offset 4
- LR is set to 0xFFFF_FFFF.

The on-chip peripheral modules are disabled and the non-analog I/O pins are initially configured as disabled. The pins with analog functions assigned to them default to their analog function after reset.

During and following a reset, the SWD pins have their associated input pins configured as:

- SWD_CLK in pulldown (PD)
- SWD_DIO in pullup (PU)

6.2.2.1 External pin reset ($\overline{RESET_b}$)

This pin is open drain and has an internal pullup device. Asserting $\overline{RESET_b}$ wakes the device from any mode.

The $\overline{RESET_b}$ pin can be disabled by programming RESET_PIN_CFG option bit to 0. When this option is selected, there could be a short period of contention during a POR ramp where the device drives the pin-out low prior to establishing the setting of this option and releasing the reset function on the pin.

6.2.2.1.1 $\overline{\text{RESET_b}}$ pin filter

The $\overline{\text{RESET_b}}$ pin filter supports filtering from both the 1 kHz LPO clock and the bus clock. The RCM_RPFC[RSTFLTSS], RCM_RPFC[RSTFLTSRW], and RCM_RPFW[RSTFLTSEL] fields set control this functionality; see the [RCM](#) chapter. The filters are asynchronously reset by Chip POR. The reset value for each filter assumes the $\overline{\text{RESET_b}}$ pin is negated.

For all stop modes where LPO clock is still active (Stop, VLPS, LLS, VLLS3, and VLLS1), the only filtering option is the LPO-based digital filter. The filtering logic either switches to bypass operation or has continued filtering operation depending on the filtering mode selected. When entering VLLS0, the $\overline{\text{RESET_b}}$ pin filter is disabled and bypassed.

The LPO filter has a fixed filter value of 3. Due to a synchronizer on the input data, there is also some associated latency (2 cycles). As a result, 5 cycles are required to complete a transition from low to high or high to low.

6.2.2.2 Low-voltage detect (LVD)

The chip includes a system for managing low-voltage conditions to protect memory contents and control MCU system states during supply voltage variations. The system consists of a power-on reset (POR) circuit and an LVD circuit with a user-selectable trip voltage. The LVD system is always enabled in Normal Run, Wait, or Stop mode. The LVD system is disabled when entering VLPx, LLS, or VLLSx modes.

The LVD can be configured to generate a reset upon detection of a low-voltage condition by setting PMC_LVDSC1[LVDRE] to 1. The low-voltage detection threshold is determined by PMC_LVDSC1[LVDV]. After an LVD reset has occurred, the LVD system holds the MCU in reset until the supply voltage has risen above the low voltage detection threshold. RCM_SRS0[LVD] is set following either an LVD reset or POR.

6.2.2.3 Computer operating properly (COP) watchdog timer

The computer operating properly (COP) watchdog timer (WDOG) monitors the operation of the system by expecting periodic communication from the software. This communication is generally known as servicing (or refreshing) the COP watchdog. If this periodic refreshing does not occur, the watchdog issues a system reset. The COP reset causes RCM_SRS0[WDOG] to set.

6.2.2.4 Low leakage wakeup (LLWU)

The LLWU module provides the means for a number of external pins and a number of internal peripherals to wake the MCU from low leakage power modes. The LLWU module is functional only in low leakage power modes. In VLLSx modes, all enabled inputs to the LLWU can generate a system reset.

After a system reset, the LLWU retains the flags indicating the input source of the last wakeup until the user clears them.

NOTE

Some flags are cleared in the LLWU and some flags are required to be cleared in the peripheral module. Refer to the individual peripheral chapters for more information.

6.2.2.5 Multipurpose clock generator loss-of-clock (LOC)

The MCG module supports an external reference clock.

If MCG_C6[CME] is set, the clock monitor is enabled. If the external reference falls below f_{loc_low} or f_{loc_high} , as controlled by MCG_C2[RANGE], the MCU resets. RCM_SRS0[LOC] is set to indicate this reset source.

NOTE

To prevent unexpected loss of clock reset events, all clock monitors must be disabled before entering any low-power modes, including VLPR and VLPW.

6.2.2.6 MCG loss-of-lock (LOL) reset

The MCG includes a PLL loss-of-lock detector. The detector is enabled when configured for PEE and lock has been achieved. If the MCG_C8[LOLRE] bit in the MCG module is set and the PLL lock status bit (MCG_S[LOLS0]) becomes set, the MCU resets. The RCM_SRS0[LOL] bit is set to indicate this reset source.

NOTE

This reset source does not cause a reset if the chip is in any stop mode.

6.2.2.7 Stop mode acknowledge error (SACKERR)

This reset is generated if the core attempts to enter Stop mode or Compute Operation, but not all modules acknowledge Stop mode within 1025 cycles of the 1 kHz LPO clock.

A module might not acknowledge the entry to Stop mode if an error condition occurs. The error can be caused by a failure of an external clock input to a module.

6.2.2.8 Software reset (SW)

The SYSRESETREQ field in the NVIC Application Interrupt and Reset Control register can be set to force a software reset on the device. (See ARM's NVIC documentation for the full description of the register fields, especially the VECTKEY field requirements.) Setting SYSRESETREQ generates a software reset request. This reset forces a system reset of all major components except for the debug module. A software reset causes RCM_SRS1[SW] to set.

6.2.2.9 Lockup reset (LOCKUP)

The LOCKUP gives immediate indication of seriously errant kernel software. This is the result of the core being locked because of an unrecoverable exception following the activation of the processor's built in system state protection hardware.

The LOCKUP condition causes a system reset and also causes RCM_SRS1[LOCKUP] to set.

6.2.2.10 MDM-AP system reset request

Set the System Reset Request field in the MDM-AP control register to initiate a system reset. This is the primary method for resets via the SWD interface. The system reset is held until this field is cleared.

Set the Core Hold Reset field in the MDM-AP control register to hold the core in reset as the rest of the chip comes out of system reset.

6.2.3 MCU resets

A variety of resets are generated by the MCU to reset different modules.

6.2.3.1 POR Only

The POR Only reset asserts on the POR reset source only. It resets the PMC and RTC.

The POR Only reset also causes all other reset types to occur.

6.2.3.2 Chip POR not VLLS

The Chip POR not VLLS reset asserts on POR and LVD reset sources. It resets parts of the SMC and SIM. It also resets the LPTMR.

The Chip POR not VLLS reset also causes these resets to occur: Chip POR, Chip Reset not VLLS, and Chip Reset (including Early Chip Reset).

6.2.3.3 Chip POR

The Chip POR asserts on POR, LVD, and VLLS Wakeup reset sources. It resets the Reset Pin Filter registers and parts of the SIM and MCG.

The Chip POR also causes the Chip Reset (including Early Chip Reset) to occur.

6.2.3.4 Chip Reset not VLLS

The Chip Reset not VLLS reset asserts on all reset sources except a VLLS Wakeup that does not occur via the $\overline{\text{RESET_b}}$ pin. It resets parts of the SMC, LLWU, and other modules that remain powered during VLLS mode.

The Chip Reset not VLLS reset also causes the Chip Reset (including Early Chip Reset) to occur.

6.2.3.5 Early Chip Reset

The Early Chip Reset asserts on all reset sources. It resets only the flash memory module. It negates before flash memory initialization begins ("earlier" than when the Chip Reset negates).

6.2.3.6 Chip Reset

Chip Reset asserts on all reset sources and only negates after flash initialization has completed and the $\overline{\text{RESET_b}}$ pin has also negated. It resets the remaining modules (the modules not reset by other reset types).

6.2.4 $\overline{\text{RESET_b}}$ pin

For all reset sources except a VLLS Wakeup that does not occur via the $\overline{\text{RESET_b}}$ pin, the $\overline{\text{RESET_b}}$ pin is driven low by the MCU for at least 128 bus clock cycles and until flash initialization has completed.

After flash initialization has completed, the $\overline{\text{RESET_b}}$ pin is released, and the internal Chip Reset negates after the $\overline{\text{RESET_b}}$ pin is pulled high. Keeping the $\overline{\text{RESET_b}}$ pin asserted externally delays the negation of the internal Chip Reset.

The $\overline{\text{RESET_b}}$ pin can be disabled by programming FTFA_FOPT[RESET_PIN_CFG] option bit to 0 (See Table 6-2). When this option is selected, there could be a short period of contention during a POR ramp where the device drives the pinout low prior to establishing the setting of this option and releasing the RESET function on the pin.

6.2.5 Debug resets

The following sections detail the debug resets available on the device.

6.2.5.1 Resetting the Debug subsystem

Use the CDBGRSTREQ field within the DP CTRL/STAT register to reset the debug modules. However, as explained below, using the CDBGRSTREQ field does not reset all debug-related registers.

CDBGRSTREQ resets the debug-related registers within the following modules:

- SW-DP
- AHB-AP
- MDM-AP (MDM control and status registers)

CDBGRSTREQ does not reset the debug-related registers within the following modules:

- CM0+ core (core debug registers: DHCSR, DCRSR, DCRDR, DEMCR)
- BPU

- DWT
- NVIC
- Crossbar bus switch¹
- AHB-AP¹
- Private peripheral bus¹

6.3 Boot

The information found here describes the boot sequence, including sources and options.

Some configuration information such as clock trim values stored in factory programmed flash locations is autoloaded.

6.3.1 Boot sources

The CM0+ core adds support for a programmable Vector Table Offset Register (VTOR) to relocate the exception vector table. This device supports booting from internal flash and RAM.

This device supports booting from internal flash with the reset vectors located at addresses 0x0 (initial SP_main), 0x4 (initial PC), and RAM with relocating the exception vector table to RAM.

6.3.2 FOPT boot options

The Flash Option (FOPT) register in the Flash Memory module (FTFA_FOPT) allows the user to customize the operation of the MCU at boot time. The register contains read-only bits that are loaded from the NVM's option byte in the flash configuration field. The default setting for all values in the FTFA_FOPT register is logic 1 since it is copied from the option byte residing in flash, which has all bits as logic 1 in the flash erased state. To configure for alternate settings, program the appropriate bits in the NVM option byte. The new settings will take effect on subsequent POR, VLLSx recoveries, and any system reset. For more details on programming the option byte, see the flash memory chapter.

1. CDBGRESTREQ does not affect AHB resources so that debug resources on the private peripheral bus are available during System Reset.

The MCU uses the FTFA_FOPT register bits to configure the device at reset as shown in the following table.

Table 6-2. Flash Option Register (FTFA_FOPT) bit definitions

Bit Num	Field	Value	Definition
7-6	Reserved		Reserved for future expansion.
5	FAST_INIT		Selects initialization speed on POR, VLLSx, and any system reset .
		0	Slower initialization: The flash initialization will be slower with the benefit of reduced average current during this time. The duration of the recovery will be controlled by the clock divider selection determined by the LPBOOT setting.
		1	Fast Initialization: The flash has faster recoveries at the expense of higher current during these times.
3	RESET_PIN_CFG		Enables/disables control for the RESET pin.
		0	<p>RESET_b pin is disabled following a POR and cannot be enabled as reset function. When this option is selected, there could be a short period of contention during a POR ramp where the device drives the pinout low prior to establishing the setting of this option and releasing the reset function on the pin.</p> <p>This bit is preserved through system resets and low-power modes. When RESET_b pin function is disabled, it cannot be used as a source for low-power mode wake-up.</p> <p>NOTE: When the reset pin has been disabled and security has been enabled by means of the FSEC register, a mass erase can be performed only by setting both the Mass Erase and System Reset Request fields in the MDM-AP register.</p>
		1	RESET _b pin is dedicated. The port is configured with pullup enabled, open drain, passive filter enabled.
2	NMI_DIS		Enables/disables control for the NMI function.
		0	NMI interrupts are always blocked. The associated pin continues to default to NMI _b pin controls with internal pullup enabled. When NMI _b pin function is disabled, it cannot be used as a source for low-power mode wake-up.
		1	NMI _b pin/interrupts reset default to enabled.
1	Reserved		Reserved for future expansion.
4,0	LPBOOT		Controls the reset value of OUTDIV1 value in SIM_CLKDIV1 register. Larger divide value selections produce lower average power consumption during POR, VLLSx recoveries and reset sequencing and after reset exit. The recovery times are also extended if the FAST_INIT option is not selected.
		00	Core and system clock divider (OUTDIV1) is 0x7 (divide by 8).
		01	Core and system clock divider (OUTDIV1) is 0x3 (divide by 4).
		10	Core and system clock divider (OUTDIV1) is 0x1 (divide by 2).
		11	Core and system clock divider (OUTDIV1) is 0x0 (divide by 1).

6.3.3 Boot sequence

At power up, the on-chip regulator holds the system in a POR state until the input supply exceeds the POR threshold. The system continues to be held in this static state until the internally regulated supplies have reached a safe operating voltage as determined by the LVD. The Reset Controller logic then controls a sequence to exit reset.

1. A system reset is held on internal logic, the $\overline{\text{RESET_b}}$ pin is driven out low, and the MCG is enabled in its default clocking mode.
2. Required clocks are enabled (system clock, flash clock, and any bus clocks that do not have clock gate control reset to disabled).
3. The system reset on internal logic continues to be held, but the Flash Controller is released from reset and begins initialization operation while the Reset Control logic continues to drive the $\overline{\text{RESET_b}}$ pin out low.
4. Early in reset sequencing, the NVM option byte is read and stored to the FOPT register of the Flash Memory module (FTFA_FOPT). If the bits associated with FTFA_FOPT[LPBOOT] are programmed for an alternate clock divider reset value, the system/core clock is switched to a slower clock speed. If FTFA_FOPT[FAST_INIT] is programmed clear, the flash initialization switches to slower clock resulting longer recovery times.
5. When flash Initialization completes, the $\overline{\text{RESET_b}}$ pin is released. If $\overline{\text{RESET_b}}$ continues to be asserted (an indication of a slow rise time on the $\overline{\text{RESET_b}}$ pin or external drive in low), the system continues to be held in reset. Once the $\overline{\text{RESET_b}}$ pin is detected high, the core clock is enabled and the system is released from reset.
6. When the system exits reset, the processor sets up the stack, program counter (PC), and link register (LR). The processor reads the start SP (SP_main) from vector-table offset 0. The core reads the start PC from vector-table offset 4. LR is set to 0xFFFF_FFFF. The next sequence of events depends on the $\overline{\text{NMI_b}}$ input and FTFA_FOPT[NMI_DIS] (See [Table 6-2](#)):
 - If the $\overline{\text{NMI_b}}$ input is high or the NMI function is disabled in the FOPT register, the CPU begins execution at the PC location.
 - If the $\overline{\text{NMI_b}}$ input is low and the NMI function is enabled in the FOPT register, this results in an NMI interrupt. The processor executes an Exception Entry and reads the NMI interrupt handler address from vector-table offset 8. The CPU begins execution at the NMI interrupt handler.

Subsequent system resets follow this same reset flow.

Chapter 7

Power Management

7.1 Introduction

Information about the various chip power modes and functionality of the individual modules in these modes can be found here.

7.2 Clocking modes

Information found here describes the various clocking modes supported on this device.

7.2.1 Partial Stop

Partial Stop is a clocking option that can be taken instead of entering Stop mode and is configured in the SMC Stop Control Register (SMC_STOPCTRL). The Stop mode is only partially entered, which leaves some additional functionality alive at the expense of higher power consumption. Partial Stop can be entered from either Run mode or VLP Run mode.

When configured for PSTOP2, only the core and system clocks are gated and the bus clock remains active. The bus masters and bus slaves clocked by the system clock enter Stop mode, but the bus slaves clocked by bus clock remain in Run (or VLP Run) mode. The clock generators in the MCG and the on-chip regulator in the PMC also remain in Run (or VLP Run) mode. Exit from PSTOP2 can be initiated by a reset, an asynchronous interrupt from a bus master or bus slave clocked by the system clock, or a synchronous interrupt from a bus slave clocked by the bus clock. If configured, a DMA request (using the asynchronous DMA wakeup) can also be used to exit Partial Stop for the duration of a DMA transfer before the device is transitioned back into PSTOP2.

When configured for PSTOP1, both the system clock and bus clock are gated. All bus masters and bus slaves enter Stop mode, but the clock generators in the MCG and the on-chip regulator in the PMC remain in Run (or VLP Run) mode. Exit from PSTOP1 can be initiated by a reset or an asynchronous interrupt from a bus master or bus slave. If configured, an asynchronous DMA request can also be used to exit Partial Stop for the duration of a DMA transfer before the device is transitioned back into PSTOP1.

PSTOP1 is functionally similar to Stop mode, but offers faster wake-up at the expense of higher power consumption. Another benefit is that it keeps all of the MCG clocks enabled, which can be useful for some of the asynchronous peripherals that can remain functional in Stop modes.

7.2.2 DMA Wakeup

The DMA can be configured to wakeup the device on a DMA request whenever it is placed in stop mode. The wakeup is configured per DMA channel and is supported in Compute Operation, PSTOP, STOP and VLPS low power modes.

When a DMA wakeup is detected in PSTOP, STOP or VLPS then the device will initiate a normal exit from the low power mode. This can include restoring the on-chip regulator and internal power switches, enabling the clock generators in the MCG, enabling the system and bus clocks (but not the core clock) and negating the stop mode signal to the bus masters and bus slaves. The only difference is that the CPU will remain in the low power mode with the CPU clock disabled.

During Compute Operation, a DMA wakeup will initiate a normal exit from Compute Operation. This includes enabling the clocks and negating the stop mode signal to the bus masters and bus slaves. The core clock always remains enabled during Compute Operation.

Since the DMA wakeup will enable the clocks and negate the stop mode signals to all bus masters and slaves, software needs to ensure that bus masters and slaves that are not involved with the DMA wakeup and transfer remain in a known state. That can be accomplished by disabling the modules before entry into the low power mode or by setting the Doze enable bit in selected modules.

Once the DMA request that initiated the wakeup negates and the DMA completes the current transfer, the device will transition back into the original low power mode. This includes requesting all non-CPU bus masters to enter Stop mode and then requesting bus slaves to enter Stop mode. In STOP and VLPS modes the MCG and PMC would then also enter their appropriate modes.

NOTE

If the requested DMA transfer cannot cause the DMA request to negate then the device will remain in a higher power state until the low power mode is fully exited.

An enabled DMA wakeup can cause an aborted entry into the low power mode, if the DMA request asserts during the stop mode entry sequence (or reentry if the request asserts during a DMA wakeup) and can cause the SMC to assert its Stop Abort flag. Once the DMA wakeup completes, entry into the low power mode will restart.

An interrupt that occurs during a DMA wakeup will cause an immediate exit from the low power mode (this is optional for Compute Operation) without impacting the DMA transfer.

A DMA wakeup can be generated by either a synchronous DMA request or an asynchronous DMA request. Not all peripherals can generate an asynchronous DMA request in stop modes, although in general if a peripheral can generate synchronous DMA requests and also supports asynchronous interrupts in stop modes, then it can generate an asynchronous DMA request.

7.2.3 Compute Operation

Compute Operation is an execution or compute-only mode of operation that keeps the CPU enabled with full access to the SRAM and Flash read port, but places all other bus masters and bus slaves into their stop mode. Compute Operation can be enabled in either Run mode or VLP Run mode.

NOTE

Do not enter any Stop mode without first exiting Compute Operation.

Because Compute Operation reuses the Stop mode logic (including the staged entry with bus masters disabled before bus slaves), any bus master or bus slave that can remain functional in Stop mode also remains functional in Compute Operation, including generation of asynchronous interrupts and DMA requests. When enabling Compute Operation in Run mode, module functionality for bus masters and slaves is the equivalent of STOP mode. When enabling Compute Operation in VLP Run mode, module functionality for bus masters and slaves is the equivalent of VLPS mode. The MCG, PMC, SRAM, and Flash read port are not affected by Compute Operation, although the Flash register interface is disabled.

During Compute Operation, the AIPS peripheral space is disabled and attempted accesses generate bus errors. The private peripheral space remains accessible during Compute Operation, including the MCM, NVIC, IOPORT, and SysTick. Although access to the GPIO registers via the IOPORT is supported, the GPIO port data input registers do not return valid data since clocks are disabled to the Port Control and Interrupt modules. By writing to the GPIO port data output registers, it is possible to control those GPIO ports that are configured as output pins.

Compute Operation is controlled by the CPO register in the MCM (MCM_CPO), which is only accessible to the CPU. Setting or clearing MCM_CPO[CPOREQ] initiates entry or exit into Compute Operation. Compute Operation can also be configured to exit automatically on detection of an interrupt, which is required in order to service most interrupts. Only the core system interrupts (exceptions, including NMI and SysTick) and any edge-sensitive interrupts can be serviced without exiting Compute Operation.

- When entering Compute Operation, the CPOACK status field in the CPO register of MCM module (MCM_CPO[CPOACK]) indicates when entry has completed.
- When exiting Compute Operation in Run mode, MCM_CPO[CPOACK] negates immediately.
- When exiting Compute Operation in VLP Run mode, the exit is delayed to allow the PMC to handle the change in power consumption. This delay means that MCM_CPO[CPOACK] is polled to determine when the AIPS peripheral space can be accessed without generating a bus error.

The DMA wakeup is also supported during Compute Operation and causes the CPOACK status bit to clear and the AIPS peripheral space to be accessible for the duration of the DMA wakeup. At the completion of the DMA wakeup, the device transitions back into Compute Operation.

7.2.4 Peripheral Doze

Several peripherals support a Peripheral Doze mode, where a register bit can be used to disable the peripheral for the duration of a low-power mode. The flash memory can also be placed in a low-power state during Peripheral Doze via a register bit in the SIM.

Peripheral Doze is defined to include all of the modes of operation listed below.

- The CPU is in Wait mode.
- The CPU is in Stop mode, including the entry sequence and for the duration of a DMA wakeup.
- The CPU is in Compute Operation, including the entry sequence and for the duration of a DMA wakeup.

Peripheral Doze can therefore be used to disable selected bus masters or slaves for the duration of WAIT or VLPW mode. It can also be used to disable selected bus slaves immediately on entry into any stop mode (or Compute Operation), instead of waiting for the bus masters to acknowledge the entry as part of the stop entry sequence. Finally, it can be used to disable selected bus masters or slaves that should remain inactive during a DMA wakeup.

If the flash memory is not being accessed during WAIT and PSTOP modes, then the Flash Doze mode can be used to reduce power consumption, at the expense of a slightly longer wake-up when executing code and vectors from flash. It can also be used to reduce power consumption during Compute Operation when executing code and vectors from SRAM.

7.2.5 Clock gating

To conserve power, the clocks to most modules can be turned off using the SCGCx registers in the SIM module. The bits of these registers are cleared after any reset, which disables the clock to the corresponding module. Prior to initializing a module, set the corresponding bit in the SCGCx register to enable the clock. Before turning off the clock, make sure to disable the module. For more details, see the [Clock Distribution](#) and [SIM](#) chapters.

7.3 Power modes

The Power Management Controller (PMC) provides multiple power options to allow the user to optimize power consumption for the level of functionality needed.

Depending on the stop requirements of the user application, a variety of stop modes are available that provide state retention, partial power-down or full power-down of certain logic and/or memory. I/O states are held in all modes of operation. The following table compares the various power modes available.

For each run mode, there is a corresponding Wait and Stop mode. Wait modes are similar to ARM Sleep modes. Stop modes (VLPS, STOP) are similar to ARM Sleep Deep mode. The Very Low Power Run (VLPR) operating mode can drastically reduce runtime power when the maximum bus frequency is not required to handle the application needs.

Power modes

The three primary modes of operation are Run, Wait, and Stop. The WFI instruction invokes both Wait and Stop modes for the chip. The primary modes are augmented in a number of ways to provide lower power based on application needs.

Table 7-1. Chip power modes

Chip mode	Description	Core mode	Normal recovery method
Normal Run	Allows maximum performance of chip. <ul style="list-style-type: none"> • Default mode out of reset • On-chip voltage regulator is on. 	Run	—
Normal Wait - via WFI	Allows peripherals to function while the core is in Sleep mode, reducing power. <ul style="list-style-type: none"> • NVIC remains sensitive to interrupts • Peripherals continue to be clocked. 	Sleep	Interrupt
Normal Stop - via WFI	Places chip in static state. Lowest power mode that retains all registers while maintaining LVD protection. <ul style="list-style-type: none"> • NVIC is disabled. • AWIC is used to wake up from interrupt. • Peripheral clocks are stopped. 	Sleep Deep	Interrupt
VLPR (Very Low-Power Run)	On-chip voltage regulator is in a low-power mode that supplies only enough power to run the chip at a reduced frequency. Only MCG modes BLPI and BLPE can be used in VLPR. <ul style="list-style-type: none"> • Reduced frequency Flash access mode (1 MHz) • LVD off • In BLPI clock mode, only the fast internal reference oscillator is available to provide a low power nominal 4 MHz source for the core with the nominal bus and flash clock required to be <800 kHz • Alternatively, BLPE clock mode can be used with an external clock or the crystal oscillator providing the clock source. 	Run	—
VLPW (Very Low-Power Wait) -via WFI	Same as VLPR but with the core in Sleep mode to further reduce power. <ul style="list-style-type: none"> • NVIC remains sensitive to interrupts (FCLK = ON). • On-chip voltage regulator is in a low-power mode that supplies only enough power to run the chip at a reduced frequency. 	Sleep	Interrupt
VLPS (Very Low-Power Stop)-via WFI	Places chip in static state with LVD operation off. Lowest power mode with ADC and pin interrupts functional. <ul style="list-style-type: none"> • Peripheral clocks are stopped, but OSC, LPTMR, RTC, CMP, TSI, LCD can be used. • TPM and UART can optionally be enabled if their clock source is enabled. • NVIC is disabled (FCLK = OFF); AWIC is used to wake up from interrupt. • On-chip voltage regulator is in a low-power mode that supplies only enough power to run the chip at a reduced frequency. • All SRAM is operating (content retained and I/O states held). 	Sleep Deep	Interrupt

Table continues on the next page...

Table 7-1. Chip power modes (continued)

Chip mode	Description	Core mode	Normal recovery method
LLS (Low-Leakage Stop)	<p>State retention power mode</p> <ul style="list-style-type: none"> Most peripherals are in state retention mode (with clocks stopped), but OSC, LLWU, LPTMR, RTC, CMP, TSI, LCD can be used. NVIC is disabled; LLWU is used to wake up. <p>NOTE: The LLWU interrupt must not be masked by the interrupt controller to avoid a scenario where the system does not fully exit stop mode on an LLS recovery</p> <ul style="list-style-type: none"> All SRAM is operating (content retained and I/O states held). 	Sleep Deep	Wake-up Interrupt ¹
VLLS3 (Very Low-Leakage Stop3)	<ul style="list-style-type: none"> Most peripherals are disabled (with clocks stopped), but OSC, LLWU, LPTMR, RTC, CMP, TSI, LCD can be used. NVIC is disabled; LLWU is used to wake up. SRAM_U and SRAM_L remain powered on (content retained and I/O states held). 	Sleep Deep	Wake-up Reset ²
VLLS1 (Very Low-Leakage Stop1)	<ul style="list-style-type: none"> Most peripherals are disabled (with clocks stopped), but OSC, LLWU, LPTMR, RTC, CMP, TSI, LCD can be used. NVIC is disabled; LLWU is used to wake up. All of SRAM_U and SRAM_L are powered off. The 32-byte system register file remains powered for customer-critical data. 	Sleep Deep	Wake-up Reset ²
VLLS0 (Very Low-Leakage Stop 0)	<ul style="list-style-type: none"> Most peripherals are disabled (with clocks stopped), but LLWU, LPTMR, RTC, TSI, LCD can be used. NVIC is disabled; LLWU is used to wake up. All of SRAM_U and SRAM_L are powered off. The 32-byte system register file remains powered for customer-critical data. LPO disabled, optional POR brown-out detection 	Sleep Deep	Wake-up Reset ²

1. Resumes Normal Run mode operation by executing the LLWU interrupt service routine.
2. Follows the reset flow with the LLWU interrupt flag set for the NVIC.

7.4 Entering and exiting power modes

The WFI instruction invokes wait and stop modes for the chip. The processor exits the low-power mode via an interrupt.

For LLS and VLLS modes, the wakeup sources are limited to LLWU generated wakeups, $\overline{\text{NMI}}_b$ pin, or $\overline{\text{RESET}}_b$ pin assertions. When the $\overline{\text{NMI}}_b$ pin or $\overline{\text{RESET}}_b$ pin have been disabled through associated FTFA_FOPT settings, then these pins are ignored as wakeup sources. The wake-up flow from VLLSx is always through reset.

NOTE

The WFE instruction can have the side effect of entering a low-power mode, but that is not its intended usage. See ARM documentation for more on the WFE instruction.

On VLLS recoveries, the I/O pins continue to be held in a static state after code execution begins, allowing software to reconfigure the system before unlocking the I/O. RAM is retained in VLLS3 only.

7.5 Module operation in low-power modes

The table found here illustrates the functionality of each module while the chip is in each of the low power modes.

The standard behavior is shown with some exceptions for Compute Operation (CPO) and Partial Stop2 (PSTOP2).

Debug modules are discussed separately; see [Debug in low-power modes](#). Number ratings (such as 4 MHz and 1 Mbit/s) represent the maximum frequencies or maximum data rates per mode. Following is list of terms also used in the table.

- FF = Full functionality. In VLPR and VLPW, the system frequency is limited, but if a module does not have a limitation in its functionality, it is still listed as FF.
- Async operation = Fully functional with alternate clock source, provided the selected clock source remains enabled
- static = Module register states and associated memories are retained.
- powered = Memory is powered to retain contents.
- low power = Memory is powered to retain contents in a lower power state
- OFF = Modules are powered off; module is in reset state upon wake-up. For clocks, OFF means disabled.
- wakeup = Modules can serve as a wake-up source for the chip.

Table 7-2. Module operation in low power modes

Modules	VLPR	VLPW	Stop	VLPS	LLS	VLLSx
Core modules						
NVIC	FF	FF	static	static	static	OFF
System modules						
Mode Controller	FF	FF	FF	FF	FF	FF
LLWU ¹	static	static	static	static	FF	FF ²
Regulator	low power	low power	ON	low power	low power	low power in VLLS3, OFF in VLLS0/1
LVD	disabled	disabled	ON	disabled	disabled	disabled
Brown-out Detection	ON	ON	ON	ON	ON	ON in VLLS1/3, optionally disabled in VLLS0 ³

Table continues on the next page...

Table 7-2. Module operation in low power modes (continued)

Modules	VLPR	VLPW	Stop	VLPS	LLS	VLLSx
DMA	FF Async operation in CPO	FF	Async operation	Async operation	static	OFF
Watchdog	FF static in CPO	FF	static FF in PSTOP2	static	static	OFF
Clocks						
1kHz LPO	ON	ON	ON	ON	ON	ON in VLLS1/3, OFF in VLLS0
System oscillator (OSC)	OSCERCLK max of 16MHz crystal	OSCERCLK max of 16MHz crystal	OSCERCLK optional	OSCERCLK max of 16MHz crystal	limited to low range/low power	limited to low range/low power in VLLS1/3, OFF in VLLS0
MCG	4 MHz IRC	4 MHz IRC	static - MCGIRCLK optional; PLL optional	static - MCGIRCLK optional	static - no clock output	OFF
Core clock	4 MHz max	OFF	OFF	OFF	OFF	OFF
Platform clock	4 MHz max	4 MHz max	OFF	OFF	OFF	OFF
System clock	4 MHz max OFF in CPO	4 MHz max	OFF	OFF	OFF	OFF
Bus clock	1 MHz max OFF in CPO	1 MHz max	OFF 24 MHz max in PSTOP2 from RUN 1 MHz max in PSTOP2 from VLPR	OFF	OFF	OFF
Memory and memory interfaces						
Flash	1 MHz max access - no program No register access in CPO	low power	low power	low power	OFF	OFF
SRAM_U and SRAM_L	low power	low power	low power	low power	low power	low power in VLLS3, OFF in VLLS0/1
System Register File	powered	powered	powered	powered	powered	powered
Communication interfaces						
UART0	1 Mbps Async operation in CPO	1 Mbps	Async operation FF in PSTOP2	Async operation	static	OFF
UART1 , UART2	62.5 kbps static, wakeup on edge in CPO	62.5 kbps	static, wakeup on edge FF in PSTOP2	static, wakeup on edge	static	OFF

Table continues on the next page...

Table 7-2. Module operation in low power modes (continued)

Modules	VLPR	VLPW	Stop	VLPS	LLS	VLLSx
SPI0	master mode 500 kbps, slave mode 250 kbps static, slave mode receive in CPO	master mode 500 kbps, slave mode 250 kbps	static, slave mode receive FF in PSTOP2	static, slave mode receive	static	OFF
SPI1	master mode 2 Mbps, slave mode 1 Mbps static, slave mode receive in CPO	master mode 2 Mbps, slave mode 1 Mbps	static, slave mode receive	static, slave mode receive	static	OFF
I ² C0	50 kbps static, address match wakeup in CPO	50 kbps	static, address match wakeup FF in PSTOP2	static, address match wakeup	static	OFF
I ² C1	100 kbps static, address match wakeup in CPO	100 kbps	static, address match wakeup	static, address match wakeup	static	OFF
I ² S	FF Async operation in CPO	FF	Async operation FF in PSTOP2	Async operation	static	OFF
Timers						
TPM	FF Async operation in CPO	FF	Async operation FF in PSTOP2	Async operation	static	OFF
PIT	FF static in CPO	FF	static	static	static	OFF
LPTMR	FF	FF	Async operation FF in PSTOP2	Async operation	Async operation	Async operation ⁴
RTC	FF Async operation in CPO	FF	Async operation FF in PSTOP2	Async operation	Async operation	Async operation ⁵
Analog						
16-bit ADC	FF ADC internal clock only in CPO	FF	ADC internal clock only FF in PSTOP2	ADC internal clock only	static	OFF
CMP ⁶	FF HS or LS compare in CPO	FF	HS or LS compare FF in PSTOP2	HS or LS compare	LS compare	LS compare in VLLS1/3, OFF in VLLS0

Table continues on the next page...

Table 7-2. Module operation in low power modes (continued)

Modules	VLPR	VLPW	Stop	VLPS	LLS	VLLSx
6-bit DAC	FF static in CPO	FF	static FF in PSTOP2	static	static	static, OFF in VLLS0
12-bit DAC	FF static in CPO	FF	static FF in PSTOP2	static	static	static
Human-machine interfaces						
GPIO	FF IOPORT write only in CPO	FF	static output, wakeup input FF in PSTOP2	static output, wakeup input	static, pins latched	OFF, pins latched
Segment LCD	FF Async operation in CPO	FF	Async operation FF in PSTOP2	Async operation	Async operation ⁷	Async operation, OFF in VLLS0 ⁷
TSI	FF Async operation in CPO	Async operation ⁸	Async operation ⁸ FF in PSTOP2	Async operation ⁸	Async operation ⁸	Async operation ⁸

- Using the LLWU module, the external pins available for this chip do not require the associated peripheral function to be enabled. It only requires the function controlling the pin (GPIO or peripheral) to be configured as an input to allow a transition to occur to the LLWU.
- Since LPO clock source is disabled, filters will be bypassed during VLLS0.
- The STOPCTRL[PORPO] bit in the SMC module controls this option.
- LPO clock source is not available in VLLS0. Also, to use system OSC in VLLS0 it must be configured for bypass (external clock) operation. Pulse counting is available in all modes.
- In VLLS0 the only clocking option is from RTC_CLKIN.
- CMP in stop or VLPS supports high speed or low speed external pin to pin or external pin to DAC compares. CMP in LLS or VLLSx only supports low speed external pin to pin or external pin to DAC compares. Windowed, sampled & filtered modes of operation are not available while in stop, VLPS, LLS, or VLLSx modes.
- End of Frame wakeup not supported in LLS and VLLSx.
- TSI wakeup from all low power modes is limited to a single selectable pin.

Chapter 8

Security

8.1 Introduction

This device implements security based on the mode selected from the flash module.

The following sections provide an overview of flash security and details the effects of security on non-flash modules.

8.1.1 Flash security

The flash module provides security information to the MCU based on the state held by FTFA_FSEC[SEC]. The MCU, in turn, confirms the security request and limits access to flash resources. During reset, the flash module initializes the FTFA_FSEC register using data read from the security byte of the flash configuration field.

NOTE

The security features apply only to external accesses: debug. CPU accesses to the flash are not affected by the status of FTFA_FSEC.

In the unsecured state, all flash commands are available on the programming interfaces either from the debug port (SWD) or user code execution. When the flash is secured (FTFA_FSEC[SEC] = 00, 01, or 11), the programmer interfaces are only allowed to launch mass erase operations. Additionally, in this mode, the debug port has no access to memory locations.

8.1.2 Security interactions with other modules

The flash security settings are used by the system to determine what resources are available. The following sections describe the interactions between modules and the flash security settings or the impact that the flash security has on non-flash modules.

8.1.2.1 Security interactions with Debug

When flash security is active, the SWD port cannot access the memory resources of the MCU.

Although most debug functions are disabled, the debugger can write to the Flash Mass Erase in Progress field of the MDM-AP Control register to trigger a mass erase (Erase All Blocks) command. A mass erase via the debugger is allowed even when some memory locations are protected.

When mass erase is disabled, mass erase via the debugger is blocked.

Chapter 9

Debug

9.1 Introduction

This debug of this device is based on the ARM CoreSight™ architecture and is configured to provide the maximum flexibility as allowed by the restrictions of the pinout and other available resources.

It provides register and memory accessibility from the external debugger interface, basic run/halt control plus 2 breakpoints and 2 watchpoints.

Only one debug interface is supported:

- Serial Wire Debug (SWD)

9.2 Debug port pin descriptions

The debug port pins default after POR to their SWD functionality.

Table 9-1. Serial wire debug pin description

Pin name	Type	Description
SWD_CLK	Input	Serial Wire Clock This pin is the clock for debug logic when in the Serial Wire Debug mode. This pin is pulled down internally.
SWD_DIO	Input / Output	Serial Wire Debug Data Input/Output The SWD_DIO pin is used by an external debug tool for communication and device control. This pin is pulled up internally.

9.3 SWD status and control registers

Through the ARM Debug Access Port (DAP), the debugger has access to the status and control elements, implemented as registers on the DAP bus as shown in the figure found here.

These registers provide additional control and status for low power mode recovery and typical run-control scenarios. The status register bits also provide a means for the debugger to get updated status of the core without having to initiate a bus transaction across the crossbar switch, thus remaining less intrusive during a debug session.

It is important to note that these DAP control and status registers are not memory mapped within the system memory map and are only accessible via the Debug Access Port using SWD. The MDM-AP is accessible as Debug Access Port 1 with the available registers shown in the table below.

Table 9-2. MDM-AP register summary

Address	Register	Description
0x0100_0000	Status	See MDM-AP Status Register
0x0100_0004	Control	See MDM-AP Control Register
0x0100_00FC	IDR	Read-only identification register that always reads as 0x001C_0020

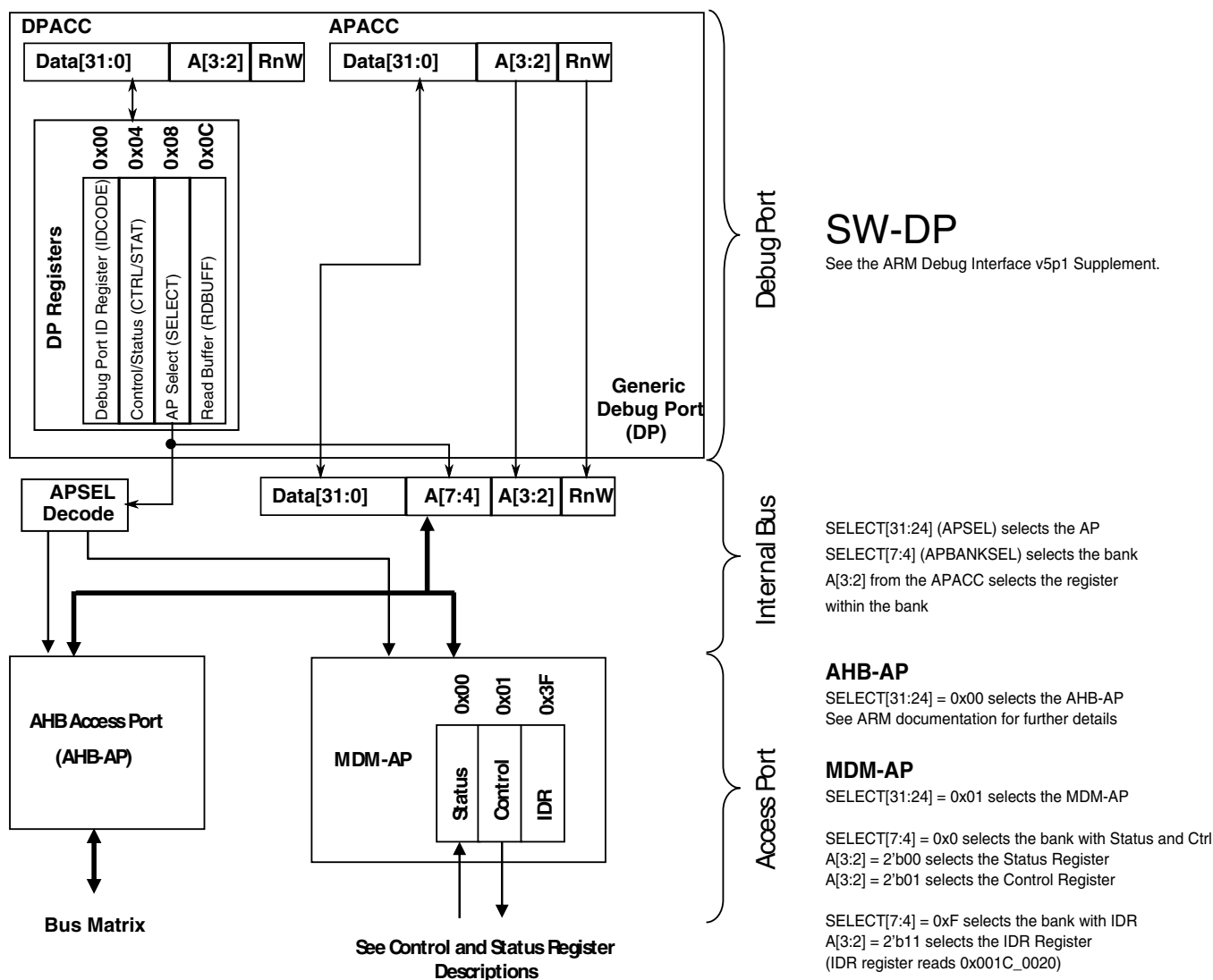


Figure 9-1. MDM AP addressing

9.3.1 MDM-AP Control Register

Table 9-3. MDM-AP Control register assignments

Bit	Name	Secure ¹	Description
0	Flash Mass Erase in Progress	Y	Set to cause mass erase. Cleared by hardware after mass erase operation completes. When mass erase is disabled (via MEEN and SEC settings), the erase request does not occur and the Flash Mass Erase in Progress bit continues to assert until the next system reset.
1	Debug Disable	N	Set to disable debug. Clear to allow debug operation. When set, it overrides the C_DEBUGEN bit within the DHCSR and force disables Debug logic.

Table continues on the next page...

Table 9-3. MDM-AP Control register assignments (continued)

Bit	Name	Secure ¹	Description
2	Debug Request	N	Set to force the core to halt. If the core is in a Stop or Wait mode, this bit can be used to wake the core and transition to a halted state.
3	System Reset Request	Y	Set to force a system reset. The system remains held in reset until this bit is cleared.
4	Core Hold Reset	N	Configuration bit to control core operation at the end of system reset sequencing. 0 Normal operation: Release the core from reset along with the rest of the system at the end of system reset sequencing. 1 Suspend operation: Hold the core in reset at the end of reset sequencing. Once the system enters this suspended state, clearing this control bit immediately releases the core from reset and CPU operation begins.
5	VLLSx Debug Request (VLLDBGREQ)	N	Set to configure the system to be held in reset after the next recovery from a VLLSx mode. This bit is ignored on a VLLS wakeup via the Reset pin. During a VLLS wakeup via the Reset pin, the system can be held in reset by holding the reset pin asserted allowing the debugger to reinitialize the debug modules. This bit holds the system in reset when VLLSx modes are exited to allow the debugger time to re-initialize debug IP before the debug session continues. The Mode Controller captures this bit logic on entry to VLLSx modes. Upon exit from VLLSx modes, the Mode Controller will hold the system in reset until VLLDBGACK is asserted. VLLDBGREQ clears automatically due to the POR reset generated as part of the VLLSx recovery.
6	VLLSx Debug Acknowledge (VLLDBGACK)	N	Set to release a system being held in reset following a VLLSx recovery This bit is used by the debugger to release the system reset when it is being held on VLLSx mode exit. The debugger re-initializes all debug IP and then assert this control bit to allow the Mode Controller to release the system from reset and allow CPU operation to begin. VLLDBGACK is cleared by the debugger or can be left set because it clears automatically due to the POR reset generated as part of the next VLLSx recovery.
7	LLS, VLLSx Status Acknowledge	N	Set this bit to acknowledge the DAP LLS and VLLS Status bits have been read. This acknowledge automatically clears the status bits. This bit is used by the debugger to clear the sticky LLS and VLLSx mode entry status bits. This bit is asserted and cleared by the debugger.
8 – 31	Reserved for future use	N	

1. Command available in secure mode

9.3.2 MDM-AP Status Register

Table 9-4. MDM-AP Status register assignments

Bit	Name	Description
0	Flash Mass Erase Acknowledge	<p>The Flash Mass Erase Acknowledge bit is cleared after any system reset. The bit is also cleared at launch of a mass erase command due to write of Flash Mass Erase in Progress bit in MDM AP Control Register. The Flash Mass Erase Acknowledge is set after Flash control logic has started the mass erase operation.</p> <p>When mass erase is disabled (via MEEN and SEC settings), an erase request due to setting of Flash Mass Erase in Progress bit is not acknowledged.</p>
1	Flash Ready	Indicates Flash has been initialized and debugger can be configured even if system is continuing to be held in reset via the debugger.
2	System Security	Indicates the security state. When secure, the debugger does not have access to the system bus or any memory mapped peripherals. This bit indicates when the part is locked and no system bus access is possible.
3	System Reset	<p>Indicates the system reset state.</p> <p>0 System is in reset.</p> <p>1 System is not in reset.</p>
4	Reserved	
5	Mass Erase Enable	<p>Indicates if the MCU can be mass erased or not</p> <p>0 Mass erase is disabled.</p> <p>1 Mass erase is enabled .</p>
6	Backdoor Access Key Enable	<p>Indicates if the MCU has the backdoor access key enabled.</p> <p>0 Disabled</p> <p>1 Enabled</p>
7	LP Enabled	<p>Decode of SMC_PMCTRL[STOPM] field to indicate that VLPS, LLS, or VLLSx are the selected power mode the next time the ARM Core enters Deep Sleep.</p> <p>0 Low Power Stop Mode is not enabled.</p> <p>1 Low Power Stop Mode is enabled.</p> <p>Usage intended for debug operation in which Run to VLPS is attempted. Per debug definition, the system actually enters the Stop state. A debugger should interpret deep sleep indication (with SLEEPDEEP and SLEEPING asserted), in conjunction with this bit asserted as the debugger-VLPS status indication.</p>
8	Very Low Power Mode	<p>Indicates current power mode is VLPx. This bit is not 'sticky' and should always represent whether VLPx is enabled or not.</p> <p>This bit is used to throttle SWD_CLK frequency up/down.</p>

Table continues on the next page...

Table 9-4. MDM-AP Status register assignments (continued)

Bit	Name	Description
9	LLS Mode Exit	<p>This bit indicates an exit from LLS mode has occurred. The debugger will lose communication while the system is in LLS (including access to this register). Once communication is reestablished, this bit indicates that the system had been in LLS. Since the debug modules held their state during LLS, they do not need to be reconfigured.</p> <p>This bit is set during the LLS recovery sequence. The LLS Mode Exit bit is held until the debugger has had a chance to recognize that LLS was exited and is cleared by a write of 1 to the LLS, VLLSx Status Acknowledge bit in MDM AP Control register.</p>
10	VLLSx Modes Exit	<p>This bit indicates an exit from VLLSx mode has occurred. The debugger will lose communication while the system is in VLLSx (including access to this register). Once communication is reestablished, this bit indicates that the system had been in VLLSx. Since the debug modules lose their state during VLLSx modes, they need to be reconfigured.</p> <p>This bit is set during the VLLSx recovery sequence. The VLLSx Mode Exit bit is held until the debugger has had a chance to recognize that a VLLS mode was exited and is cleared by a write of 1 to the LLS, VLLSx Status Acknowledge bit in MDM AP Control register.</p>
11 – 15	Reserved for future use	Always read 0.
16	Core Halted	Indicates the core has entered Debug Halt mode
17	Core SLEEPDEEP	Indicates the core has entered a low-power mode
18	Core SLEEPING	<p>SLEEPING==1 and SLEEPDEEP==0 indicates wait or VLPW mode.</p> <p>SLEEPING==1 and SLEEPDEEP==1 indicates stop or VLPS mode.</p>
19 – 31	Reserved for future use	Always read 0.

9.4 Debug resets

The debug system receives the following sources of reset:

- Debug reset (the CDBGRSTREQ field within the DP CTRL/STAT register) that allows the debugger to reset the debug logic.
- System POR reset

Conversely, the debug system is capable of generating system reset using the following mechanism:

- A system reset in the DAP control register which allows the debugger to hold the system in reset.
- SYSRESETREQ field in the NVIC Application Interrupt and Reset control register
- A system reset in the DAP control register which allows the debugger to hold the core in reset.

9.5 Micro Trace Buffer (MTB)

The Micro Trace Buffer (MTB) provides a simple execution trace capability for the Cortex-M0+ processor.

When enabled, the MTB records changes in program flow reported by the Cortex-M0+ processor, via the execution trace interface, into a configurable region of the SRAM. Subsequently, an off-chip debugger may extract the trace information, which would allow reconstruction of an instruction flow trace. The MTB does not include any form of load/store data trace capability or tracing of any other information.

In addition to providing the trace capability, the MTB also operates as a simple AHB-Lite SRAM controller. The system bus masters, including the processor, have read/write access to all of the SRAM via the AHB-Lite interface, allowing the memory to be also used to store program and data information. The MTB simultaneously stores the trace information into an attached SRAM and allows bus masters to access the memory. The MTB ensures that trace information write accesses to the SRAM take priority over accesses from the AHB-Lite interface.

The MTB includes trace control registers for configuring and triggering the MTB functions. The MTB also supports triggering via TSTART and TSTOP control functions in the MTB DWT module.

9.6 Debug in low-power modes

In low-power modes, in which the debug modules are kept static or powered off, the debugger cannot gather any debug data for the duration of the low-power mode.

- In the case that the debugger is held static, the debug port returns to full functionality as soon as the low-power mode exits and the system returns to a state with active debug.
- In the case that the debugger logic is powered off, the debugger is reset on recovery and must be reconfigured once the low-power mode is exited.

Power mode entry logic monitors Debug Power Up and System Power Up signals from the debug port as indications that a debugger is active. These signals can be changed in RUN, VLPR, WAIT and VLPW. If the debug signal is active and the system attempts to enter Stop or VLPS, FCLK continues to run to support core register access. In these modes in which FCLK is left active the debug modules have access to core registers but not to system memory resources accessed via the crossbar.

With debug enabled, transitions from Run directly to VLPS result in the system entering Stop mode instead. Status bits within the MDM-AP Status register can be evaluated to determine this pseudo-VLPS state.

NOTE

With the debug enabled, transitions from Run --> VLPR --> VLPS are still possible.

In VLLS mode, all debug modules are powered off and reset at wakeup. In LLS mode, the debug modules retain their state but no debug activity is possible.

Going into a VLLSx mode causes all the debug controls and settings to be reset. To give time to the debugger to sync up with the HW, the MDM-AP Control register can be configured to hold the system in reset on recovery so that the debugger can regain control and reconfigure debug logic prior to the system exiting reset and resuming operation.

9.7 Debug and security

When flash security is enabled, the debug port capabilities are limited in order to prevent exploitation of secure data.

In the secure state, the debugger still has access to the status register and can determine the current security state of the device. In the case of a secure device, the debugger has the capability of only performing a mass erase operation.

Chapter 10

Signal Multiplexing and Signal Descriptions

10.1 Introduction

To optimize functionality in small packages, pins have several functions available via signal multiplexing. Information found here illustrates which of this device's signals are multiplexed on which external pin.

The [Port Control](#) block controls which signal is present on the external pin. Refer to that chapter to find which register controls the operation of a specific pin.

10.2 Signal multiplexing integration

Information found here summarizes how the module is integrated into the device. For a comprehensive description of the module itself, see the module's dedicated chapter.

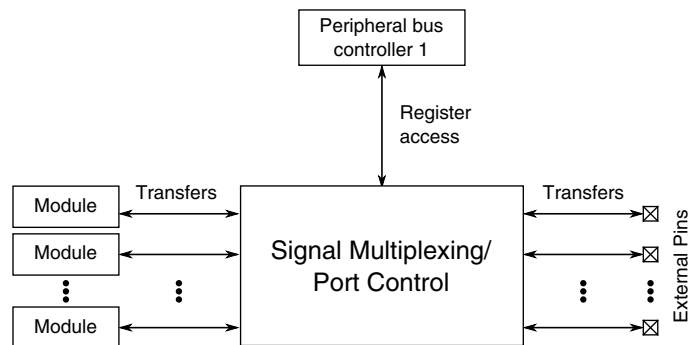


Figure 10-1. Signal multiplexing integration

Table 10-1. Reference links to related information

Topic	Related module	Reference
Full description	Port control	Port control
System memory map		System memory map

Table continues on the next page...

Table 10-1. Reference links to related information (continued)

Topic	Related module	Reference
Clocking		Clock Distribution
Register access	Peripheral bus controller	Peripheral bridge

10.2.1 Port control and interrupt module features

- 32-pin ports

NOTE

Not all pins are available on the device. See the following section for details.

- Port A is assigned a dedicated interrupt and Port C and Port D share an interrupt. For DMA requests, Port A, Port C, and Port D each have a dedicated input to the DMA MUX.

The reset state and read/write characteristics of the fields within the PORTx_PCRn registers is summarized in the table below.

Table 10-2. Port control register configuration summary

This field of PORTx_PCRn	Generally resets to	Except for	Resets to	Configurability
PS	1	PTA0	0	Yes—All GPIOs are configurable.
PE	0	PTA0 and PTA2	1	Yes— All GPIOs are configurable.
DSE	0	No exceptions—all DSE are cleared on reset.	—	4 pins are configurable for High Drive (PTB0 , PTB1, PTD6 , PTD7). All others are fixed for Normal Drive and the associated DSE bit is read only.
SRE	1	PTA3, PTA14, PTA15, PTA16, PTA17, PTB10, PTB11, PTB16, PTB17, PTC3, PTC4, PTC5, PTC6, PTC7, PTD4, PTD5, PTD6, PTD7	0	Yes— All GPIO are configurable.
MUX	000	PTA0, PTA3, and PTA4	111	Yes— All GPIO are configurable.
PFE	0	No exceptions—all PFE are cleared on reset. ¹	—	The GPIO shared with NMI_b pin is configurable. All other GPIOs are fixed and read only.

Table continues on the next page...

Table 10-2. Port control register configuration summary (continued)

This field of PORTx_PC Rn	Generally resets to	Except for	Resets to	Configurability
IRQC	000	No exceptions—all are cleared on reset.	—	Only implemented for ports that support interrupt and DMA functionality.
ISF	0	No exceptions—all are cleared on reset.	—	Only implemented for ports that support interrupt and DMA functionality.

1. The `RESET_b` pin has the passive analog filter fixed enabled when functioning as the `RESET_b` pin (`FOPT[RESET_PIN_CFG] = 1`) and fixed disabled when configured for other shared functions.

10.2.2 Clock gating

The clock to the port control module can be gated on and off using the `SCGC5[PORTx]` bits in the SIM module. These bits are cleared after any reset, which disables the clock to the corresponding module to conserve power. Prior to initializing the corresponding module, set `SIM_SCGC5[PORTx]` to enable the clock. Before turning off the clock, make sure to disable the module. For more details, see the [Clock distribution](#) chapter.

10.2.3 Signal multiplexing constraints

1. A given peripheral function must be assigned to a maximum of one package pin. Do not program the same function to more than one pin.
2. To ensure the best signal timing for a given peripheral's interface, choose the pins in closest proximity to each other.
3. For normal operation of the LCD, use ALT0 LCD functions. The ALT7 LCD functions are only available for LCD fault detection.

10.3 Pinout

10.3.1 KL36 Signal Multiplexing and Pin Assignments

The following table shows the signals available on each pin and the locations of these pins on the devices supported by this document. The Port Control Module is responsible for selecting which ALT functionality is available on each pin.

Pinout

121 BGA	100 LQFP	64 BGA	64 LQFP	Pin Name	Default	ALT0	ALT1	ALT2	ALT3	ALT4	ALT5	ALT6	ALT7
E4	1	A1	1	PTE0	DISABLED	LCD_P48	PTE0	SPI1_MISO	UART1_TX	RTC_CLKOUT	CMP0_OUT	I2C1_SDA	LCD_P48
E3	2	B1	2	PTE1	DISABLED	LCD_P49	PTE1	SPI1_MOSI	UART1_RX		SPI1_MISO	I2C1_SCL	LCD_P49
E2	3	—	—	PTE2	DISABLED	LCD_P50	PTE2	SPI1_SCK					LCD_P50
F4	4	—	—	PTE3	DISABLED	LCD_P51	PTE3	SPI1_MISO			SPI1_MOSI		LCD_P51
H7	5	—	—	PTE4	DISABLED	LCD_P52	PTE4	SPI1_PCS0					LCD_P52
G4	6	—	—	PTE5	DISABLED	LCD_P53	PTE5						LCD_P53
F3	7	—	—	PTE6	DISABLED	LCD_P54	PTE6			I2S0_MCLK	audioUSB_SOF_OUT		LCD_P54
E6	8	—	3	VDD	VDD	VDD							
G7	9	C4	4	VSS	VSS	VSS							
L6	—	—	—	VSS	VSS	VSS							
H1	14	E1	5	PTE16	ADC0_DP1/ ADC0_SE1	LCD_P55/ ADC0_DP1/ ADC0_SE1	PTE16	SPI0_PCS0	UART2_TX	TPM_CLKIN0			LCD_P55
H2	15	D1	6	PTE17	ADC0_DM1/ ADC0_SE5a	LCD_P56/ ADC0_DM1/ ADC0_SE5a	PTE17	SPI0_SCK	UART2_RX	TPM_CLKIN1		LPTMR0_ALT3	LCD_P56
J1	16	E2	7	PTE18	ADC0_DP2/ ADC0_SE2	LCD_P57/ ADC0_DP2/ ADC0_SE2	PTE18	SPI0_MOSI		I2C0_SDA	SPI0_MISO		LCD_P57
J2	17	D2	8	PTE19	ADC0_DM2/ ADC0_SE6a	LCD_P58/ ADC0_DM2/ ADC0_SE6a	PTE19	SPI0_MISO		I2C0_SCL	SPI0_MOSI		LCD_P58
K1	18	G1	9	PTE20	ADC0_DP0/ ADC0_SE0	LCD_P59/ ADC0_DP0/ ADC0_SE0	PTE20		TPM1_CH0	UART0_TX			LCD_P59
K2	19	F1	10	PTE21	ADC0_DM0/ ADC0_SE4a	LCD_P60/ ADC0_DM0/ ADC0_SE4a	PTE21		TPM1_CH1	UART0_RX			LCD_P60
L1	20	G2	11	PTE22	ADC0_DP3/ ADC0_SE3	ADC0_DP3/ ADC0_SE3	PTE22		TPM2_CH0	UART2_TX			
L2	21	F2	12	PTE23	ADC0_DM3/ ADC0_SE7a	ADC0_DM3/ ADC0_SE7a	PTE23		TPM2_CH1	UART2_RX			
F5	22	F4	13	VDDA	VDDA	VDDA							
G5	23	G4	14	VREFH	VREFH	VREFH							
G6	24	G3	15	VREFL	VREFL	VREFL							
F6	25	F3	16	VSSA	VSSA	VSSA							
L3	26	H1	17	PTE29	CMP0_IN5/ ADC0_SE4b	CMP0_IN5/ ADC0_SE4b	PTE29		TPM0_CH2	TPM_CLKIN0			
K5	27	H2	18	PTE30	DAC0_OUT/ ADC0_SE23/ CMP0_IN4	DAC0_OUT/ ADC0_SE23/ CMP0_IN4	PTE30		TPM0_CH3	TPM_CLKIN1			
L4	28	H3	19	PTE31	DISABLED		PTE31		TPM0_CH4				
L5	29	—	—	VSS	VSS	VSS							
K6	30	—	—	VDD	VDD	VDD							
H5	31	H4	20	PTE24	DISABLED		PTE24		TPM0_CH0		I2C0_SCL		

Chapter 10 Signal Multiplexing and Signal Descriptions

121 BGA	100 LQFP	64 BGA	64 LQFP	Pin Name	Default	ALT0	ALT1	ALT2	ALT3	ALT4	ALT5	ALT6	ALT7
J5	32	H5	21	PTE25	DISABLED		PTE25		TPM0_CH1		I2C0_SDA		
H6	33	—	—	PTE26	DISABLED		PTE26		TPM0_CH5			RTC_CLKOUT	
J6	34	D3	22	PTA0	SWD_CLK	TSIO_CH1	PTA0		TPM0_CH5				SWD_CLK
H8	35	D4	23	PTA1	DISABLED	TSIO_CH2	PTA1	UART0_RX	TPM2_CH0				
J7	36	E5	24	PTA2	DISABLED	TSIO_CH3	PTA2	UART0_TX	TPM2_CH1				
H9	37	D5	25	PTA3	SWD_DIO	TSIO_CH4	PTA3	I2C1_SCL	TPM0_CH0				SWD_DIO
J8	38	G5	26	PTA4	NMI_b	TSIO_CH5	PTA4	I2C1_SDA	TPM0_CH1				NMI_b
K7	39	F5	27	PTA5	DISABLED		PTA5		TPM0_CH2			I2S0_TX_BCLK	
E5	—	—	—	VDD	VDD	VDD							
G3	—	—	—	VSS	VSS	VSS							
K3	40	—	—	PTA6	DISABLED		PTA6		TPM0_CH3				
H4	41	—	—	PTA7	DISABLED		PTA7		TPM0_CH4				
K8	42	H6	28	PTA12	DISABLED		PTA12		TPM1_CH0			I2S0_TXD0	
L8	43	G6	29	PTA13	DISABLED		PTA13		TPM1_CH1			I2S0_TX_FS	
K9	44	—	—	PTA14	DISABLED		PTA14	SPI0_PCS0	UART0_TX			I2S0_RX_BCLK	I2S0_TXD0
L9	45	—	—	PTA15	DISABLED		PTA15	SPI0_SCK	UART0_RX			I2S0_RXD0	
J10	46	—	—	PTA16	DISABLED		PTA16	SPI0_MOSI			SPI0_MISO	I2S0_RX_FS	I2S0_RXD0
H10	47	—	—	PTA17	DISABLED		PTA17	SPI0_MISO			SPI0_MOSI	I2S0_MCLK	
L10	48	G7	30	VDD	VDD	VDD							
K10	49	H7	31	VSS	VSS	VSS							
L11	50	H8	32	PTA18	EXTAL0	EXTAL0	PTA18		UART1_RX	TPM_CLKIN0			
K11	51	G8	33	PTA19	XTAL0	XTAL0	PTA19		UART1_TX	TPM_CLKIN1		LPTMR0_ALT1	
J11	52	F8	34	PTA20	RESET_b		PTA20						RESET_b
G11	53	F7	35	PTB0/ LLWU_P5	LCD_P0/ ADC0_SE8/ TSIO_CH0	LCD_P0/ ADC0_SE8/ TSIO_CH0	PTB0/ LLWU_P5	I2C0_SCL	TPM1_CH0				LCD_P0
G10	54	F6	36	PTB1	LCD_P1/ ADC0_SE9/ TSIO_CH6	LCD_P1/ ADC0_SE9/ TSIO_CH6	PTB1	I2C0_SDA	TPM1_CH1				LCD_P1
G9	55	E7	37	PTB2	LCD_P2/ ADC0_SE12/ TSIO_CH7	LCD_P2/ ADC0_SE12/ TSIO_CH7	PTB2	I2C0_SCL	TPM2_CH0				LCD_P2
G8	56	E8	38	PTB3	LCD_P3/ ADC0_SE13/ TSIO_CH8	LCD_P3/ ADC0_SE13/ TSIO_CH8	PTB3	I2C0_SDA	TPM2_CH1				LCD_P3
E11	57	—	—	PTB7	LCD_P7	LCD_P7	PTB7						LCD_P7
D11	58	—	—	PTB8	LCD_P8	LCD_P8	PTB8	SPI1_PCS0	EXTRG_IN				LCD_P8
E10	59	—	—	PTB9	LCD_P9	LCD_P9	PTB9	SPI1_SCK					LCD_P9
D10	60	—	—	PTB10	LCD_P10	LCD_P10	PTB10	SPI1_PCS0					LCD_P10
C10	61	—	—	PTB11	LCD_P11	LCD_P11	PTB11	SPI1_SCK					LCD_P11

Pinout

121 BGA	100 LQFP	64 BGA	64 LQFP	Pin Name	Default	ALT0	ALT1	ALT2	ALT3	ALT4	ALT5	ALT6	ALT7
B10	62	E6	39	PTB16	LCD_P12/ TSIO_CH9	LCD_P12/ TSIO_CH9	PTB16	SPI1_MOSI	UART0_RX	TPM_CLKIN0	SPI1_MISO		LCD_P12
E9	63	D7	40	PTB17	LCD_P13/ TSIO_CH10	LCD_P13/ TSIO_CH10	PTB17	SPI1_MISO	UART0_TX	TPM_CLKIN1	SPI1_MOSI		LCD_P13
D9	64	D6	41	PTB18	LCD_P14/ TSIO_CH11	LCD_P14/ TSIO_CH11	PTB18		TPM2_CH0	I2S0_TX_ BCLK			LCD_P14
C9	65	C7	42	PTB19	LCD_P15/ TSIO_CH12	LCD_P15/ TSIO_CH12	PTB19		TPM2_CH1	I2S0_TX_FS			LCD_P15
F10	66	—	—	PTB20	LCD_P16	LCD_P16	PTB20					CMP0_OUT	LCD_P16
F9	67	—	—	PTB21	LCD_P17	LCD_P17	PTB21						LCD_P17
F8	68	—	—	PTB22	LCD_P18	LCD_P18	PTB22						LCD_P18
E8	69	—	—	PTB23	LCD_P19	LCD_P19	PTB23						LCD_P19
B9	70	D8	43	PTC0	LCD_P20/ ADC0_SE14/ TSIO_CH13	LCD_P20/ ADC0_SE14/ TSIO_CH13	PTC0		EXTRG_IN	audioUSB_ SOF_OUT	CMP0_OUT	I2S0_TXD0	LCD_P20
D8	71	C6	44	PTC1/ LLWU_P6/ RTC_CLKIN	LCD_P21/ ADC0_SE15/ TSIO_CH14	LCD_P21/ ADC0_SE15/ TSIO_CH14	PTC1/ LLWU_P6/ RTC_CLKIN	I2C1_SCL		TPM0_CH0		I2S0_TXD0	LCD_P21
C8	72	B7	45	PTC2	LCD_P22/ ADC0_SE11/ TSIO_CH15	LCD_P22/ ADC0_SE11/ TSIO_CH15	PTC2	I2C1_SDA		TPM0_CH1		I2S0_TX_FS	LCD_P22
B8	73	C8	46	PTC3/ LLWU_P7	LCD_P23	LCD_P23	PTC3/ LLWU_P7		UART1_RX	TPM0_CH2	CLKOUT	I2S0_TX_ BCLK	LCD_P23
F7	74	E3	47	VSS	VSS	VSS							
E7	—	E4	—	VDD	VDD	VDD							
A11	75	C5	48	VLL3	VLL3	VLL3							
A10	76	A6	49	VLL2	VLL2	VLL2/ LCD_P4	PTC20						LCD_P4
A9	77	B5	50	VLL1	VLL1	VLL1/ LCD_P5	PTC21						LCD_P5
B11	78	B4	51	VCAP2	VCAP2	VCAP2/ LCD_P6	PTC22						LCD_P6
C11	79	A5	52	VCAP1	VCAP1	VCAP1/ LCD_P39	PTC23						LCD_P39
A8	80	B8	53	PTC4/ LLWU_P8	LCD_P24	LCD_P24	PTC4/ LLWU_P8	SPI0_PCS0	UART1_TX	TPM0_CH3	I2S0_MCLK		LCD_P24
D7	81	A8	54	PTC5/ LLWU_P9	LCD_P25	LCD_P25	PTC5/ LLWU_P9	SPI0_SCK	LPTMR0_ ALT2	I2S0_RXD0		CMP0_OUT	LCD_P25
C7	82	A7	55	PTC6/ LLWU_P10	LCD_P26/ CMP0_IN0	LCD_P26/ CMP0_IN0	PTC6/ LLWU_P10	SPI0_MOSI	EXTRG_IN	I2S0_RX_ BCLK	SPI0_MISO	I2S0_MCLK	LCD_P26
B7	83	B6	56	PTC7	LCD_P27/ CMP0_IN1	LCD_P27/ CMP0_IN1	PTC7	SPI0_MISO	audioUSB_ SOF_OUT	I2S0_RX_FS	SPI0_MOSI		LCD_P27
A7	84	—	—	PTC8	LCD_P28/ CMP0_IN2	LCD_P28/ CMP0_IN2	PTC8	I2C0_SCL	TPM0_CH4	I2S0_MCLK			LCD_P28
D6	85	—	—	PTC9	LCD_P29/ CMP0_IN3	LCD_P29/ CMP0_IN3	PTC9	I2C0_SDA	TPM0_CH5	I2S0_RX_ BCLK			LCD_P29
C6	86	—	—	PTC10	LCD_P30	LCD_P30	PTC10	I2C1_SCL		I2S0_RX_FS			LCD_P30

121 BGA	100 LQFP	64 BGA	64 LQFP	Pin Name	Default	ALT0	ALT1	ALT2	ALT3	ALT4	ALT5	ALT6	ALT7
C5	87	—	—	PTC11	LCD_P31	LCD_P31	PTC11	I2C1_SDA		I2S0_RXD0			LCD_P31
B6	88	—	—	PTC12	LCD_P32	LCD_P32	PTC12			TPM_CLKIN0			LCD_P32
A6	89	—	—	PTC13	LCD_P33	LCD_P33	PTC13			TPM_CLKIN1			LCD_P33
D5	90	—	—	PTC16	LCD_P36	LCD_P36	PTC16						LCD_P36
C4	91	—	—	PTC17	LCD_P37	LCD_P37	PTC17						LCD_P37
B4	92	—	—	PTC18	LCD_P38	LCD_P38	PTC18						LCD_P38
D4	93	C3	57	PTD0	LCD_P40	LCD_P40	PTD0	SPI0_PCS0		TPM0_CH0			LCD_P40
D3	94	A4	58	PTD1	LCD_P41/ ADC0_SE5b	LCD_P41/ ADC0_SE5b	PTD1	SPI0_SCK		TPM0_CH1			LCD_P41
C3	95	C2	59	PTD2	LCD_P42	LCD_P42	PTD2	SPI0_MOSI	UART2_RX	TPM0_CH2	SPI0_MISO		LCD_P42
B3	96	B3	60	PTD3	LCD_P43	LCD_P43	PTD3	SPI0_MISO	UART2_TX	TPM0_CH3	SPI0_MOSI		LCD_P43
A3	97	A3	61	PTD4/ LLWU_P14	LCD_P44	LCD_P44	PTD4/ LLWU_P14	SPI1_PCS0	UART2_RX	TPM0_CH4			LCD_P44
A2	98	C1	62	PTD5	LCD_P45/ ADC0_SE6b	LCD_P45/ ADC0_SE6b	PTD5	SPI1_SCK	UART2_TX	TPM0_CH5			LCD_P45
B2	99	B2	63	PTD6/ LLWU_P15	LCD_P46/ ADC0_SE7b	LCD_P46/ ADC0_SE7b	PTD6/ LLWU_P15	SPI1_MOSI	UART0_RX		SPI1_MISO		LCD_P46
A1	100	A2	64	PTD7	LCD_P47	LCD_P47	PTD7	SPI1_MISO	UART0_TX		SPI1_MOSI		LCD_P47
F1	10	—	—	NC	NC	NC							
F2	11	—	—	NC	NC	NC							
G1	12	—	—	NC	NC	NC							
G2	13	—	—	NC	NC	NC							
J3	—	—	—	NC	NC	NC							
H3	—	—	—	NC	NC	NC							
K4	—	—	—	NC	NC	NC							
L7	—	—	—	NC	NC	NC							
J9	—	—	—	NC	NC	NC							
J4	—	—	—	NC	NC	NC							
H11	—	—	—	NC	NC	NC							
F11	—	—	—	NC	NC	NC							
A5	—	—	—	NC	NC	NC							
B5	—	—	—	NC	NC	NC							
A4	—	—	—	NC	NC	NC							
B1	—	—	—	NC	NC	NC							
C2	—	—	—	NC	NC	NC							
C1	—	—	—	NC	NC	NC							
D2	—	—	—	NC	NC	NC							
D1	—	—	—	NC	NC	NC							
E1	—	—	—	NC	NC	NC							

10.3.2 KL36 pinouts

The following figures show the pinout diagrams for the devices supported by this document. Many signals may be multiplexed onto a single pin. To determine what signals can be used on which pin, see [KL36 Signal Multiplexing and Pin Assignments](#).

	1	2	3	4	5	6	7	8	9	10	11	
A	PTD7	PTD5	PTD4/ LLWU_P14	NC	NC	PTC13	PTC8	PTC4/ LLWU_P8	VLL1	VLL2	VLL3	A
B	NC	PTD6/ LLWU_P15	PTD3	PTC18	NC	PTC12	PTC7	PTC3/ LLWU_P7	PTC0	PTB16	VCAP2	B
C	NC	NC	PTD2	PTC17	PTC11	PTC10	PTC6/ LLWU_P10	PTC2	PTB19	PTB11	VCAP1	C
D	NC	NC	PTD1	PTD0	PTC16	PTC9	PTC5/ LLWU_P9	PTC1/ LLWU_P6/ RTC_CLKIN	PTB18	PTB10	PTB8	D
E	NC	PTE2	PTE1	PTE0	VDD	VDD	VDD	PTB23	PTB17	PTB9	PTB7	E
F	NC	NC	PTE6	PTE3	VDDA	VSSA	VSS	PTB22	PTB21	PTB20	NC	F
G	NC	NC	VSS	PTE5	VREFH	VREFL	VSS	PTB3	PTB2	PTB1	PTB0/ LLWU_P5	G
H	PTE16	PTE17	NC	PTA7	PTE24	PTE26	PTE4	PTA1	PTA3	PTA17	NC	H
J	PTE18	PTE19	NC	NC	PTE25	PTA0	PTA2	PTA4	NC	PTA16	PTA20	J
K	PTE20	PTE21	PTA6	NC	PTE30	VDD	PTA5	PTA12	PTA14	VSS	PTA19	K
L	PTE22	PTE23	PTE29	PTE31	VSS	VSS	NC	PTA13	PTA15	VDD	PTA18	L
	1	2	3	4	5	6	7	8	9	10	11	

Figure 10-2. KL36 121-pin BGA pinout diagram

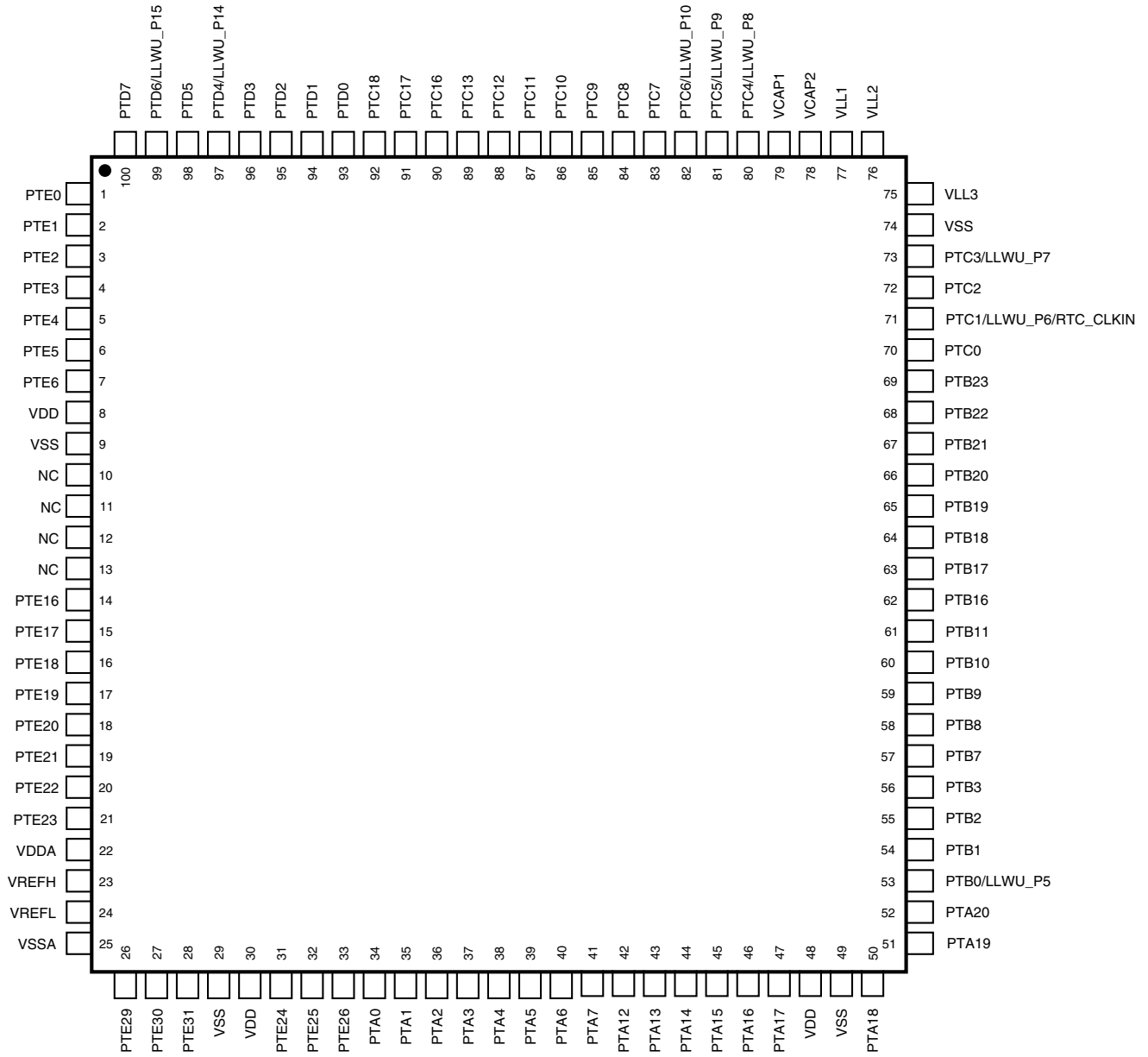


Figure 10-3. KL36 100-pin LQFP pinout diagram

	1	2	3	4	5	6	7	8	
A	PTE0	PTD7	PTD4/ LLWU_P14	PTD1	VCAP1	VLL2	PTC6/ LLWU_P10	PTC5/ LLWU_P9	A
B	PTE1	PTD6/ LLWU_P15	PTD3	VCAP2	VLL1	PTC7	PTC2	PTC4/ LLWU_P8	B
C	PTD5	PTD2	PTD0	VSS	VLL3	PTC1/ LLWU_P6/ RTC_CLKIN	PTB19	PTC3/ LLWU_P7	C
D	PTE17	PTE19	PTA0	PTA1	PTA3	PTB18	PTB17	PTC0	D
E	PTE16	PTE18	VSS	VDD	PTA2	PTB16	PTB2	PTB3	E
F	PTE21	PTE23	VSSA	VDDA	PTA5	PTB1	PTB0/ LLWU_P5	PTA20	F
G	PTE20	PTE22	VREFL	VREFH	PTA4	PTA13	VDD	PTA19	G
H	PTE29	PTE30	PTE31	PTE24	PTE25	PTA12	VSS	PTA18	H
	1	2	3	4	5	6	7	8	

Figure 10-4. KL36 64-pin BGA pinout diagram

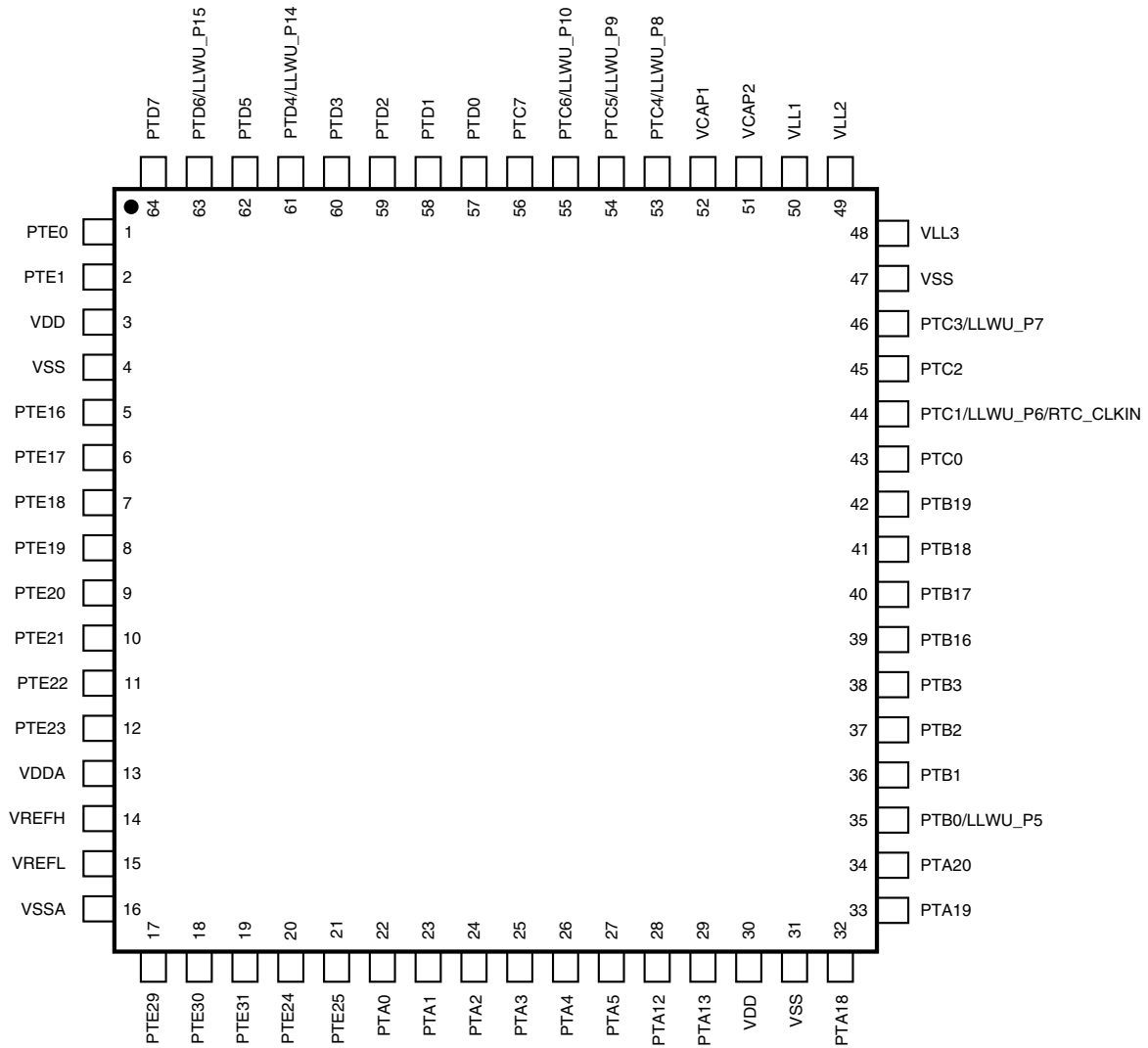


Figure 10-5. KL36 64-pin LQFP pinout diagram

10.4 Module Signal Description Tables

The following sections correlate the chip-level signal name with the signal name used in the module's chapter. They also briefly describe the signal function and direction.

10.4.1 Core modules

Table 10-3. SWD signal descriptions

Chip signal name	Module signal name	Description	I/O
SWD_DIO	SWD_DIO	Serial Wire Debug Data Input/Output The SWD_DIO pin is used by an external debug tool for communication and device control. This pin is pulled up internally.	Input / Output
SWD_CLK	SWD_CLK	Serial Wire Clock This pin is the clock for debug logic when in the Serial Wire Debug mode. This pin is pulled down internally.	Input

10.4.2 System modules

Table 10-4. System signal descriptions

Chip signal name	Module signal name	Description	I/O
NMI _b	—	Non-maskable interrupt NOTE: Driving the NMI _b signal low forces a non-maskable interrupt, if the NMI _b function is selected on the corresponding pin.	I
RESET _b	—	Reset bidirectional signal	I/O
VDD	—	MCU power	I
VSS	—	MCU ground	I

10.4.3 Clock modules

Table 10-5. OSC signal descriptions

Chip signal name	Module signal name	Description	I/O
EXTAL0	EXTAL	External clock/Oscillator input	I
XTAL0	XTAL	Oscillator output	O

10.4.4 Memories and memory interfaces

10.4.5 Analog

Table 10-6. ADC0 signal descriptions

Chip signal name	Module signal name	Description	I/O
ADC0_DPn	DADP3–DADP0	Differential Analog Channel Inputs	I
ADC0_DMn	DADM3–DADM0	Differential Analog Channel Inputs	I
ADC0_SEn	ADn	Single-Ended Analog Channel Inputs	I
VREFH	V _{REFSH}	Voltage Reference Select High	I
VREFL	V _{REFSL}	Voltage Reference Select Low	I
VDDA	V _{DDA}	Analog Power Supply	I
VSSA	V _{SSA}	Analog Ground	I

Table 10-7. CMP0 signal descriptions

Chip signal name	Module signal name	Description	I/O
CMP0_IN[5:0]	IN[5:0]	Analog voltage inputs	I
CMP0_OUT	CMPO	Comparator output	O

Table 10-8. DAC0 signal descriptions

Chip signal name	Module signal name	Description	I/O
DAC0_OUT	—	DAC output	O

10.4.6 Timer Modules

Table 10-9. TPM0 Signal Descriptions

Chip signal name	Module signal name	Description	I/O
TPM_CLKIN[1:0]	EXTCLK	External clock. FTM external clock can be selected to drive the FTM counter.	I
TPM0_CH[5:0]	CHn	FTM channel (n), where n can be 7-0	I/O

Table 10-10. TPM1 Signal Descriptions

Chip signal name	Module signal name	Description	I/O
TPM_CLKIN[1:0]	TPM_EXTCLK	External clock. TPM external clock can be selected to increment the TPM counter on every rising edge synchronized to the counter clock.	I

Table continues on the next page...

Table 10-10. TPM1 Signal Descriptions (continued)

Chip signal name	Module signal name	Description	I/O
TPM1_CH[1:0]	TPM_CHn	TPM channel (n = 5 to 0)	I/O

Table 10-11. TPM2 Signal Descriptions

Chip signal name	Module signal name	Description	I/O
TPM_CLKIN[1:0]	TPM_EXTCLK	External clock. TPM external clock can be selected to increment the TPM counter on every rising edge synchronized to the counter clock.	I
TPM2_CH[1:0]	TPM_CHn	TPM channel (n = 5 to 0)	I/O

Table 10-12. LPTMR0 Signal Descriptions

Chip signal name	Module signal name	Description	I/O
LPTMR0_ALT[2:1]	LPTMR_ALTn	Pulse Counter Input pin	I

Table 10-13. RTC Signal Descriptions

Chip signal name	Module signal name	Description	I/O
RTC_CLKOUT ¹	RTC_CLKOUT	1 Hz square-wave output	O

1. RTC_CLKOUT can also be driven with OSCERCLK via SIM control bit SIM_SOPT[RCTCLKOUTSEL]

10.4.7 Communication interfaces

Table 10-14. SPI0 signal descriptions

Chip signal name	Module signal name	Description	I/O
SPI0_MISO	MISO	Master Data In, Slave Data Out	I/O
SPI0_MOSI	MOSI	Master Data Out, Slave Data In	I/O
SPI0_SCLK	SPSCK	SPI Serial Clock	I/O
SPI0_PCS0	SS	Slave Select	I/O

Table 10-15. SPI1 Signal Descriptions

Chip signal name	Module signal name	Description	I/O
SPI1_MISO	MISO	Master Data In, Slave Data Out	I/O
SPI1_MOSI	MOSI	Master Data Out, Slave Data In	I/O
SPI1_SCLK	SPSCK	SPI Serial Clock	I/O
SPI1_PCS0	SS	Slave Select	I/O

Table 10-16. I²C0 signal descriptions

Chip signal name	Module signal name	Description	I/O
I2C0_SCL	SCL	Bidirectional serial clock line of the I ² C system.	I/O
I2C0_SDA	SDA	Bidirectional serial data line of the I ² C system.	I/O

Table 10-17. I²C1 Signal Descriptions

Chip signal name	Module signal name	Description	I/O
I2C1_SCL	SCL	Bidirectional serial clock line of the I ² C system.	I/O
I2C1_SDA	SDA	Bidirectional serial data line of the I ² C system.	I/O

Table 10-18. UART0 signal descriptions

Chip signal name	Module signal name	Description	I/O
UART0_TX	TxD	Transmit data	O
UART0_RX	RxD	Receive data	I

Table 10-19. UART1 Signal Descriptions

Chip signal name	Module signal name	Description	I/O
UART1_TX	TxD	Transmit data	O
UART1_RX	RxD	Receive data	I

Table 10-20. UART2 Signal Descriptions

Chip signal name	Module signal name	Description	I/O
UART2_TX	TxD	Transmit data	O
UART2_RX	RxD	Receive data	I

10.4.8 Human-machine interfaces (HMI)

Table 10-21. GPIO Signal Descriptions

Chip signal name	Module signal name	Description	I/O
PTA[31:0] ¹	PORTA31–PORTA0	General-purpose input/output	I/O
PTB[31:0] ¹	PORTB31–PORTB0	General-purpose input/output	I/O
PTC[31:0] ¹	PORTC31–PORTC0	General-purpose input/output	I/O
PTD[31:0] ¹	PORTD31–PORTD0	General-purpose input/output	I/O
PTE[31:0] ¹	PORTE31–PORTE0	General-purpose input/output	I/O

1. The available GPIO pins depend on the specific package. See the signal multiplexing section for which exact GPIO signals are available.

Table 10-22. TSI Signal Descriptions

Chip signal name	Module signal name	Description	I/O
TSIO_CH[15:0]	TSI[15:0]	TSI capacitive pins. Switches driver that connects directly to the electrode pins TSI[15:0] can operate as GPIO pins.	I/O

Chapter 11

Port Control and Interrupts (PORT)

11.1 Introduction

NOTE

For the chip-specific implementation details of this module's instances, see the chip configuration information.

11.2 Overview

The port control and interrupt (PORT) module provides support for port control, and external interrupt functions.

Most functions can be configured independently for each pin in the 32-bit port and affect the pin regardless of its pin muxing state.

There is one instance of the PORT module for each port. Not all pins within each port are implemented on a specific device.

11.2.1 Features

The PORT module has the following features:

- Pin interrupt on selected pins
 - Interrupt flag and enable registers for each pin
 - Support for edge sensitive (rising, falling, both) or level sensitive (low, high) configured per pin
 - Support for interrupt or DMA request configured per pin
 - Asynchronous wakeup in Low-Power modes
 - Pin interrupt is functional in all digital Pin Muxing modes
- Port control

- Individual pull control fields with pullup, pulldown, and pull-disable support on selected pins
- Individual drive strength field supporting high and low drive strength on selected pins
- Individual slew rate field supporting fast and slow slew rates on selected pins
- Individual input passive filter field supporting enable and disable of the individual input passive filter on selected pins
- Individual mux control field supporting analog or pin disabled, GPIO, and up to six chip-specific digital functions
- Pad configuration fields are functional in all digital Pin Muxing modes

11.2.2 Modes of operation

11.2.2.1 Run mode

In Run mode, the PORT operates normally.

11.2.2.2 Wait mode

In Wait mode, PORT continues to operate normally and may be configured to exit the Low-Power mode if an enabled interrupt is detected. DMA requests are still generated during the Wait mode, but do not cause an exit from the Low-Power mode.

11.2.2.3 Stop mode

In Stop mode, the PORT can be configured to exit the Low-Power mode via an asynchronous wakeup signal if an enabled interrupt is detected.

11.2.2.4 Debug mode

In Debug mode, PORT operates normally.

11.3 External signal description

The table found here describes the PORT external signal.

Table 11-1. Signal properties

Name	Function	I/O	Reset	Pull
PORTx[31:0]	External interrupt	I/O	0	-

NOTE

Not all pins within each port are implemented on each device.

11.4 Detailed signal description

The table found here contains the detailed signal description for the PORT interface.

Table 11-2. PORT interface—detailed signal description

Signal	I/O	Description	
PORTx[31:0]	I/O	External interrupt.	
		State meaning	Asserted—pin is logic one. Negated—pin is logic zero.
		Timing	Assertion—may occur at any time and can assert asynchronously to the system clock. Negation—may occur at any time and can assert asynchronously to the system clock.

11.5 Memory map and register definition

Any read or write access to the PORT memory space that is outside the valid memory map results in a bus error. All register accesses complete with zero wait states.

PORT memory map

Absolute address (hex)	Register name	Width (in bits)	Access	Reset value	Section/page
4004_9000	Pin Control Register n (PORTA_PCR0)	32	R/W	See section	11.5.1/185
4004_9004	Pin Control Register n (PORTA_PCR1)	32	R/W	See section	11.5.1/185
4004_9008	Pin Control Register n (PORTA_PCR2)	32	R/W	See section	11.5.1/185

Table continues on the next page...

PORT memory map (continued)

Absolute address (hex)	Register name	Width (in bits)	Access	Reset value	Section/page
4004_900C	Pin Control Register n (PORTA_PCR3)	32	R/W	See section	11.5.1/185
4004_9010	Pin Control Register n (PORTA_PCR4)	32	R/W	See section	11.5.1/185
4004_9014	Pin Control Register n (PORTA_PCR5)	32	R/W	See section	11.5.1/185
4004_9018	Pin Control Register n (PORTA_PCR6)	32	R/W	See section	11.5.1/185
4004_901C	Pin Control Register n (PORTA_PCR7)	32	R/W	See section	11.5.1/185
4004_9020	Pin Control Register n (PORTA_PCR8)	32	R/W	See section	11.5.1/185
4004_9024	Pin Control Register n (PORTA_PCR9)	32	R/W	See section	11.5.1/185
4004_9028	Pin Control Register n (PORTA_PCR10)	32	R/W	See section	11.5.1/185
4004_902C	Pin Control Register n (PORTA_PCR11)	32	R/W	See section	11.5.1/185
4004_9030	Pin Control Register n (PORTA_PCR12)	32	R/W	See section	11.5.1/185
4004_9034	Pin Control Register n (PORTA_PCR13)	32	R/W	See section	11.5.1/185
4004_9038	Pin Control Register n (PORTA_PCR14)	32	R/W	See section	11.5.1/185
4004_903C	Pin Control Register n (PORTA_PCR15)	32	R/W	See section	11.5.1/185
4004_9040	Pin Control Register n (PORTA_PCR16)	32	R/W	See section	11.5.1/185
4004_9044	Pin Control Register n (PORTA_PCR17)	32	R/W	See section	11.5.1/185
4004_9048	Pin Control Register n (PORTA_PCR18)	32	R/W	See section	11.5.1/185
4004_904C	Pin Control Register n (PORTA_PCR19)	32	R/W	See section	11.5.1/185
4004_9050	Pin Control Register n (PORTA_PCR20)	32	R/W	See section	11.5.1/185
4004_9054	Pin Control Register n (PORTA_PCR21)	32	R/W	See section	11.5.1/185
4004_9058	Pin Control Register n (PORTA_PCR22)	32	R/W	See section	11.5.1/185
4004_905C	Pin Control Register n (PORTA_PCR23)	32	R/W	See section	11.5.1/185
4004_9060	Pin Control Register n (PORTA_PCR24)	32	R/W	See section	11.5.1/185
4004_9064	Pin Control Register n (PORTA_PCR25)	32	R/W	See section	11.5.1/185
4004_9068	Pin Control Register n (PORTA_PCR26)	32	R/W	See section	11.5.1/185
4004_906C	Pin Control Register n (PORTA_PCR27)	32	R/W	See section	11.5.1/185
4004_9070	Pin Control Register n (PORTA_PCR28)	32	R/W	See section	11.5.1/185
4004_9074	Pin Control Register n (PORTA_PCR29)	32	R/W	See section	11.5.1/185
4004_9078	Pin Control Register n (PORTA_PCR30)	32	R/W	See section	11.5.1/185
4004_907C	Pin Control Register n (PORTA_PCR31)	32	R/W	See section	11.5.1/185
4004_9080	Global Pin Control Low Register (PORTA_GPCLR)	32	W (always reads 0)	0000_0000h	11.5.2/187
4004_9084	Global Pin Control High Register (PORTA_GPCHR)	32	W (always reads 0)	0000_0000h	11.5.3/188
4004_90A0	Interrupt Status Flag Register (PORTA_ISFR)	32	w1c	0000_0000h	11.5.4/188
4004_A000	Pin Control Register n (PORTB_PCR0)	32	R/W	See section	11.5.1/185
4004_A004	Pin Control Register n (PORTB_PCR1)	32	R/W	See section	11.5.1/185
4004_A008	Pin Control Register n (PORTB_PCR2)	32	R/W	See section	11.5.1/185

Table continues on the next page...

PORT memory map (continued)

Absolute address (hex)	Register name	Width (in bits)	Access	Reset value	Section/page
4004_A00C	Pin Control Register n (PORTB_PCR3)	32	R/W	See section	11.5.1/185
4004_A010	Pin Control Register n (PORTB_PCR4)	32	R/W	See section	11.5.1/185
4004_A014	Pin Control Register n (PORTB_PCR5)	32	R/W	See section	11.5.1/185
4004_A018	Pin Control Register n (PORTB_PCR6)	32	R/W	See section	11.5.1/185
4004_A01C	Pin Control Register n (PORTB_PCR7)	32	R/W	See section	11.5.1/185
4004_A020	Pin Control Register n (PORTB_PCR8)	32	R/W	See section	11.5.1/185
4004_A024	Pin Control Register n (PORTB_PCR9)	32	R/W	See section	11.5.1/185
4004_A028	Pin Control Register n (PORTB_PCR10)	32	R/W	See section	11.5.1/185
4004_A02C	Pin Control Register n (PORTB_PCR11)	32	R/W	See section	11.5.1/185
4004_A030	Pin Control Register n (PORTB_PCR12)	32	R/W	See section	11.5.1/185
4004_A034	Pin Control Register n (PORTB_PCR13)	32	R/W	See section	11.5.1/185
4004_A038	Pin Control Register n (PORTB_PCR14)	32	R/W	See section	11.5.1/185
4004_A03C	Pin Control Register n (PORTB_PCR15)	32	R/W	See section	11.5.1/185
4004_A040	Pin Control Register n (PORTB_PCR16)	32	R/W	See section	11.5.1/185
4004_A044	Pin Control Register n (PORTB_PCR17)	32	R/W	See section	11.5.1/185
4004_A048	Pin Control Register n (PORTB_PCR18)	32	R/W	See section	11.5.1/185
4004_A04C	Pin Control Register n (PORTB_PCR19)	32	R/W	See section	11.5.1/185
4004_A050	Pin Control Register n (PORTB_PCR20)	32	R/W	See section	11.5.1/185
4004_A054	Pin Control Register n (PORTB_PCR21)	32	R/W	See section	11.5.1/185
4004_A058	Pin Control Register n (PORTB_PCR22)	32	R/W	See section	11.5.1/185
4004_A05C	Pin Control Register n (PORTB_PCR23)	32	R/W	See section	11.5.1/185
4004_A060	Pin Control Register n (PORTB_PCR24)	32	R/W	See section	11.5.1/185
4004_A064	Pin Control Register n (PORTB_PCR25)	32	R/W	See section	11.5.1/185
4004_A068	Pin Control Register n (PORTB_PCR26)	32	R/W	See section	11.5.1/185
4004_A06C	Pin Control Register n (PORTB_PCR27)	32	R/W	See section	11.5.1/185
4004_A070	Pin Control Register n (PORTB_PCR28)	32	R/W	See section	11.5.1/185
4004_A074	Pin Control Register n (PORTB_PCR29)	32	R/W	See section	11.5.1/185
4004_A078	Pin Control Register n (PORTB_PCR30)	32	R/W	See section	11.5.1/185
4004_A07C	Pin Control Register n (PORTB_PCR31)	32	R/W	See section	11.5.1/185
4004_A080	Global Pin Control Low Register (PORTB_GPCLR)	32	W (always reads 0)	0000_0000h	11.5.2/187
4004_A084	Global Pin Control High Register (PORTB_GPCHR)	32	W (always reads 0)	0000_0000h	11.5.3/188
4004_A0A0	Interrupt Status Flag Register (PORTB_ISFR)	32	w1c	0000_0000h	11.5.4/188
4004_B000	Pin Control Register n (PORTC_PCR0)	32	R/W	See section	11.5.1/185
4004_B004	Pin Control Register n (PORTC_PCR1)	32	R/W	See section	11.5.1/185
4004_B008	Pin Control Register n (PORTC_PCR2)	32	R/W	See section	11.5.1/185

Table continues on the next page...

PORT memory map (continued)

Absolute address (hex)	Register name	Width (in bits)	Access	Reset value	Section/page
4004_B00C	Pin Control Register n (PORTC_PCR3)	32	R/W	See section	11.5.1/185
4004_B010	Pin Control Register n (PORTC_PCR4)	32	R/W	See section	11.5.1/185
4004_B014	Pin Control Register n (PORTC_PCR5)	32	R/W	See section	11.5.1/185
4004_B018	Pin Control Register n (PORTC_PCR6)	32	R/W	See section	11.5.1/185
4004_B01C	Pin Control Register n (PORTC_PCR7)	32	R/W	See section	11.5.1/185
4004_B020	Pin Control Register n (PORTC_PCR8)	32	R/W	See section	11.5.1/185
4004_B024	Pin Control Register n (PORTC_PCR9)	32	R/W	See section	11.5.1/185
4004_B028	Pin Control Register n (PORTC_PCR10)	32	R/W	See section	11.5.1/185
4004_B02C	Pin Control Register n (PORTC_PCR11)	32	R/W	See section	11.5.1/185
4004_B030	Pin Control Register n (PORTC_PCR12)	32	R/W	See section	11.5.1/185
4004_B034	Pin Control Register n (PORTC_PCR13)	32	R/W	See section	11.5.1/185
4004_B038	Pin Control Register n (PORTC_PCR14)	32	R/W	See section	11.5.1/185
4004_B03C	Pin Control Register n (PORTC_PCR15)	32	R/W	See section	11.5.1/185
4004_B040	Pin Control Register n (PORTC_PCR16)	32	R/W	See section	11.5.1/185
4004_B044	Pin Control Register n (PORTC_PCR17)	32	R/W	See section	11.5.1/185
4004_B048	Pin Control Register n (PORTC_PCR18)	32	R/W	See section	11.5.1/185
4004_B04C	Pin Control Register n (PORTC_PCR19)	32	R/W	See section	11.5.1/185
4004_B050	Pin Control Register n (PORTC_PCR20)	32	R/W	See section	11.5.1/185
4004_B054	Pin Control Register n (PORTC_PCR21)	32	R/W	See section	11.5.1/185
4004_B058	Pin Control Register n (PORTC_PCR22)	32	R/W	See section	11.5.1/185
4004_B05C	Pin Control Register n (PORTC_PCR23)	32	R/W	See section	11.5.1/185
4004_B060	Pin Control Register n (PORTC_PCR24)	32	R/W	See section	11.5.1/185
4004_B064	Pin Control Register n (PORTC_PCR25)	32	R/W	See section	11.5.1/185
4004_B068	Pin Control Register n (PORTC_PCR26)	32	R/W	See section	11.5.1/185
4004_B06C	Pin Control Register n (PORTC_PCR27)	32	R/W	See section	11.5.1/185
4004_B070	Pin Control Register n (PORTC_PCR28)	32	R/W	See section	11.5.1/185
4004_B074	Pin Control Register n (PORTC_PCR29)	32	R/W	See section	11.5.1/185
4004_B078	Pin Control Register n (PORTC_PCR30)	32	R/W	See section	11.5.1/185
4004_B07C	Pin Control Register n (PORTC_PCR31)	32	R/W	See section	11.5.1/185
4004_B080	Global Pin Control Low Register (PORTC_GPCLR)	32	W (always reads 0)	0000_0000h	11.5.2/187
4004_B084	Global Pin Control High Register (PORTC_GPCHR)	32	W (always reads 0)	0000_0000h	11.5.3/188
4004_B0A0	Interrupt Status Flag Register (PORTC_ISFR)	32	w1c	0000_0000h	11.5.4/188
4004_C000	Pin Control Register n (PORTD_PCR0)	32	R/W	See section	11.5.1/185
4004_C004	Pin Control Register n (PORTD_PCR1)	32	R/W	See section	11.5.1/185
4004_C008	Pin Control Register n (PORTD_PCR2)	32	R/W	See section	11.5.1/185

Table continues on the next page...

PORT memory map (continued)

Absolute address (hex)	Register name	Width (in bits)	Access	Reset value	Section/page
4004_C00C	Pin Control Register n (PORTD_PCR3)	32	R/W	See section	11.5.1/185
4004_C010	Pin Control Register n (PORTD_PCR4)	32	R/W	See section	11.5.1/185
4004_C014	Pin Control Register n (PORTD_PCR5)	32	R/W	See section	11.5.1/185
4004_C018	Pin Control Register n (PORTD_PCR6)	32	R/W	See section	11.5.1/185
4004_C01C	Pin Control Register n (PORTD_PCR7)	32	R/W	See section	11.5.1/185
4004_C020	Pin Control Register n (PORTD_PCR8)	32	R/W	See section	11.5.1/185
4004_C024	Pin Control Register n (PORTD_PCR9)	32	R/W	See section	11.5.1/185
4004_C028	Pin Control Register n (PORTD_PCR10)	32	R/W	See section	11.5.1/185
4004_C02C	Pin Control Register n (PORTD_PCR11)	32	R/W	See section	11.5.1/185
4004_C030	Pin Control Register n (PORTD_PCR12)	32	R/W	See section	11.5.1/185
4004_C034	Pin Control Register n (PORTD_PCR13)	32	R/W	See section	11.5.1/185
4004_C038	Pin Control Register n (PORTD_PCR14)	32	R/W	See section	11.5.1/185
4004_C03C	Pin Control Register n (PORTD_PCR15)	32	R/W	See section	11.5.1/185
4004_C040	Pin Control Register n (PORTD_PCR16)	32	R/W	See section	11.5.1/185
4004_C044	Pin Control Register n (PORTD_PCR17)	32	R/W	See section	11.5.1/185
4004_C048	Pin Control Register n (PORTD_PCR18)	32	R/W	See section	11.5.1/185
4004_C04C	Pin Control Register n (PORTD_PCR19)	32	R/W	See section	11.5.1/185
4004_C050	Pin Control Register n (PORTD_PCR20)	32	R/W	See section	11.5.1/185
4004_C054	Pin Control Register n (PORTD_PCR21)	32	R/W	See section	11.5.1/185
4004_C058	Pin Control Register n (PORTD_PCR22)	32	R/W	See section	11.5.1/185
4004_C05C	Pin Control Register n (PORTD_PCR23)	32	R/W	See section	11.5.1/185
4004_C060	Pin Control Register n (PORTD_PCR24)	32	R/W	See section	11.5.1/185
4004_C064	Pin Control Register n (PORTD_PCR25)	32	R/W	See section	11.5.1/185
4004_C068	Pin Control Register n (PORTD_PCR26)	32	R/W	See section	11.5.1/185
4004_C06C	Pin Control Register n (PORTD_PCR27)	32	R/W	See section	11.5.1/185
4004_C070	Pin Control Register n (PORTD_PCR28)	32	R/W	See section	11.5.1/185
4004_C074	Pin Control Register n (PORTD_PCR29)	32	R/W	See section	11.5.1/185
4004_C078	Pin Control Register n (PORTD_PCR30)	32	R/W	See section	11.5.1/185
4004_C07C	Pin Control Register n (PORTD_PCR31)	32	R/W	See section	11.5.1/185
4004_C080	Global Pin Control Low Register (PORTD_GPCLR)	32	W (always reads 0)	0000_0000h	11.5.2/187
4004_C084	Global Pin Control High Register (PORTD_GPCHR)	32	W (always reads 0)	0000_0000h	11.5.3/188
4004_C0A0	Interrupt Status Flag Register (PORTD_ISFR)	32	w1c	0000_0000h	11.5.4/188
4004_D000	Pin Control Register n (PORTE_PCR0)	32	R/W	See section	11.5.1/185
4004_D004	Pin Control Register n (PORTE_PCR1)	32	R/W	See section	11.5.1/185
4004_D008	Pin Control Register n (PORTE_PCR2)	32	R/W	See section	11.5.1/185

Table continues on the next page...

PORT memory map (continued)

Absolute address (hex)	Register name	Width (in bits)	Access	Reset value	Section/page
4004_D00C	Pin Control Register n (PORTE_PCR3)	32	R/W	See section	11.5.1/185
4004_D010	Pin Control Register n (PORTE_PCR4)	32	R/W	See section	11.5.1/185
4004_D014	Pin Control Register n (PORTE_PCR5)	32	R/W	See section	11.5.1/185
4004_D018	Pin Control Register n (PORTE_PCR6)	32	R/W	See section	11.5.1/185
4004_D01C	Pin Control Register n (PORTE_PCR7)	32	R/W	See section	11.5.1/185
4004_D020	Pin Control Register n (PORTE_PCR8)	32	R/W	See section	11.5.1/185
4004_D024	Pin Control Register n (PORTE_PCR9)	32	R/W	See section	11.5.1/185
4004_D028	Pin Control Register n (PORTE_PCR10)	32	R/W	See section	11.5.1/185
4004_D02C	Pin Control Register n (PORTE_PCR11)	32	R/W	See section	11.5.1/185
4004_D030	Pin Control Register n (PORTE_PCR12)	32	R/W	See section	11.5.1/185
4004_D034	Pin Control Register n (PORTE_PCR13)	32	R/W	See section	11.5.1/185
4004_D038	Pin Control Register n (PORTE_PCR14)	32	R/W	See section	11.5.1/185
4004_D03C	Pin Control Register n (PORTE_PCR15)	32	R/W	See section	11.5.1/185
4004_D040	Pin Control Register n (PORTE_PCR16)	32	R/W	See section	11.5.1/185
4004_D044	Pin Control Register n (PORTE_PCR17)	32	R/W	See section	11.5.1/185
4004_D048	Pin Control Register n (PORTE_PCR18)	32	R/W	See section	11.5.1/185
4004_D04C	Pin Control Register n (PORTE_PCR19)	32	R/W	See section	11.5.1/185
4004_D050	Pin Control Register n (PORTE_PCR20)	32	R/W	See section	11.5.1/185
4004_D054	Pin Control Register n (PORTE_PCR21)	32	R/W	See section	11.5.1/185
4004_D058	Pin Control Register n (PORTE_PCR22)	32	R/W	See section	11.5.1/185
4004_D05C	Pin Control Register n (PORTE_PCR23)	32	R/W	See section	11.5.1/185
4004_D060	Pin Control Register n (PORTE_PCR24)	32	R/W	See section	11.5.1/185
4004_D064	Pin Control Register n (PORTE_PCR25)	32	R/W	See section	11.5.1/185
4004_D068	Pin Control Register n (PORTE_PCR26)	32	R/W	See section	11.5.1/185
4004_D06C	Pin Control Register n (PORTE_PCR27)	32	R/W	See section	11.5.1/185
4004_D070	Pin Control Register n (PORTE_PCR28)	32	R/W	See section	11.5.1/185
4004_D074	Pin Control Register n (PORTE_PCR29)	32	R/W	See section	11.5.1/185
4004_D078	Pin Control Register n (PORTE_PCR30)	32	R/W	See section	11.5.1/185
4004_D07C	Pin Control Register n (PORTE_PCR31)	32	R/W	See section	11.5.1/185
4004_D080	Global Pin Control Low Register (PORTE_GPCLR)	32	W (always reads 0)	0000_0000h	11.5.2/187
4004_D084	Global Pin Control High Register (PORTE_GPCHR)	32	W (always reads 0)	0000_0000h	11.5.3/188
4004_D0A0	Interrupt Status Flag Register (PORTE_ISFR)	32	w1c	0000_0000h	11.5.4/188

11.5.1 Pin Control Register n (PORTx_PCRn)

NOTE

Refer to the Signal Multiplexing and Pin Assignment chapter for the reset value of this device.

See the GPIO Configuration section for details on the available functions for each pin.

Do not modify pin configuration registers associated with pins not available in your selected package. All un-bonded pins not available in your package will default to DISABLE state for lowest power consumption.

Address: Base address + 0h offset + (4d × i), where i=0d to 31d

Bit	31	30	29	28	27	26	25	24	23	22	21	20	19	18	17	16
R	0							ISF	0				IRQC			
W								w1c								
Reset	0	0	0	0	0	0	0	0	0	0	0	0	0	0	0	0
Bit	15	14	13	12	11	10	9	8	7	6	5	4	3	2	1	0
R	0					MUX			0	DSE	0	PFE	0	SRE	PE	PS
W																
Reset	0	0	0	0	0	*	*	*	0	*	0	*	0	*	*	*

* Notes:

- MUX field: Varies by port. See Signal Multiplexing and Signal Descriptions chapter for reset values per port.
- DSE field: Varies by port. See Signal Multiplexing and Signal Descriptions chapter for reset values per port.
- PFE field: Varies by port. See Signal Multiplexing and Signal Descriptions chapter for reset values per port.
- SRE field: Varies by port. See Signal Multiplexing and Signal Descriptions chapter for reset values per port.
- PE field: Varies by port. See Signal Multiplexing and Signal Descriptions chapter for reset values per port.
- PS field: Varies by port. See Signal Multiplexing and Signal Descriptions chapter for reset values per port.

PORTx_PCRn field descriptions

Field	Description
31–25 Reserved	This field is reserved. This read-only field is reserved and always has the value 0.
24 ISF	Interrupt Status Flag This bit is read only for pins that do not support interrupt generation. The pin interrupt configuration is valid in all digital pin muxing modes.

Table continues on the next page...

PORTx_PCRn field descriptions (continued)

Field	Description
	<p>0 Configured interrupt is not detected.</p> <p>1 Configured interrupt is detected. If the pin is configured to generate a DMA request, then the corresponding flag will be cleared automatically at the completion of the requested DMA transfer. Otherwise, the flag remains set until a logic one is written to the flag. If the pin is configured for a level sensitive interrupt and the pin remains asserted, then the flag is set again immediately after it is cleared.</p>
23–20 Reserved	<p>This field is reserved.</p> <p>This read-only field is reserved and always has the value 0.</p>
19–16 IRQC	<p>Interrupt Configuration</p> <p>This field is read only for pins that do not support interrupt generation.</p> <p>The pin interrupt configuration is valid in all digital pin muxing modes. The corresponding pin is configured to generate interrupt/DMA request as follows:</p> <p>0000 Interrupt/DMA request disabled. 0001 DMA request on rising edge. 0010 DMA request on falling edge. 0011 DMA request on either edge. 1000 Interrupt when logic zero. 1001 Interrupt on rising edge. 1010 Interrupt on falling edge. 1011 Interrupt on either edge. 1100 Interrupt when logic one. Others Reserved.</p>
15–11 Reserved	<p>This field is reserved.</p> <p>This read-only field is reserved and always has the value 0.</p>
10–8 MUX	<p>Pin Mux Control</p> <p>Not all pins support all pin muxing slots. Unimplemented pin muxing slots are reserved and may result in configuring the pin for a different pin muxing slot.</p> <p>The corresponding pin is configured in the following pin muxing slot as follows:</p> <p>000 Pin disabled (analog). 001 Alternative 1 (GPIO). 010 Alternative 2 (chip-specific). 011 Alternative 3 (chip-specific). 100 Alternative 4 (chip-specific). 101 Alternative 5 (chip-specific). 110 Alternative 6 (chip-specific). 111 Alternative 7 (chip-specific).</p>
7 Reserved	<p>This field is reserved.</p> <p>This read-only field is reserved and always has the value 0.</p>
6 DSE	<p>Drive Strength Enable</p> <p>This bit is read only for pins that do not support a configurable drive strength.</p> <p>Drive strength configuration is valid in all digital pin muxing modes.</p> <p>0 Low drive strength is configured on the corresponding pin, if pin is configured as a digital output. 1 High drive strength is configured on the corresponding pin, if pin is configured as a digital output.</p>

Table continues on the next page...

PORTx_PCRn field descriptions (continued)

Field	Description
5 Reserved	This field is reserved. This read-only field is reserved and always has the value 0.
4 PFE	Passive Filter Enable This bit is read only for pins that do not support a configurable passive input filter. Passive filter configuration is valid in all digital pin muxing modes. 0 Passive input filter is disabled on the corresponding pin. 1 Passive input filter is enabled on the corresponding pin, if the pin is configured as a digital input. Refer to the device data sheet for filter characteristics.
3 Reserved	This field is reserved. This read-only field is reserved and always has the value 0.
2 SRE	Slew Rate Enable This bit is read only for pins that do not support a configurable slew rate. Slew rate configuration is valid in all digital pin muxing modes. 0 Fast slew rate is configured on the corresponding pin, if the pin is configured as a digital output. 1 Slow slew rate is configured on the corresponding pin, if the pin is configured as a digital output.
1 PE	Pull Enable This bit is read only for pins that do not support a configurable pull resistor. Refer to the Chapter of Signal Multiplexing and Signal Descriptions for the pins that support a configurable pull resistor. Pull configuration is valid in all digital pin muxing modes. 0 Internal pullup or pulldown resistor is not enabled on the corresponding pin. 1 Internal pullup or pulldown resistor is enabled on the corresponding pin, if the pin is configured as a digital input.
0 PS	Pull Select This bit is read only for pins that do not support a configurable pull resistor direction. Pull configuration is valid in all digital pin muxing modes. 0 Internal pulldown resistor is enabled on the corresponding pin, if the corresponding Port Pull Enable field is set. 1 Internal pullup resistor is enabled on the corresponding pin, if the corresponding Port Pull Enable field is set.

11.5.2 Global Pin Control Low Register (PORTx_GPCLR)

Only 32-bit writes are supported to this register.

Address: Base address + 80h offset

Bit	31	30	29	28	27	26	25	24	23	22	21	20	19	18	17	16	15	14	13	12	11	10	9	8	7	6	5	4	3	2	1	0
R	0																0															
W	GPWE																GPWD															
Reset	0	0	0	0	0	0	0	0	0	0	0	0	0	0	0	0	0	0	0	0	0	0	0	0	0	0	0	0	0	0	0	0

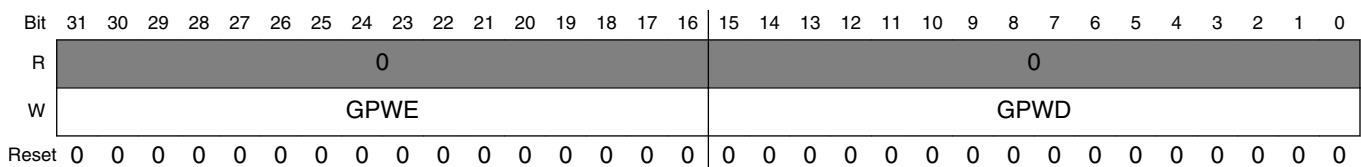
PORTx_GPCLR field descriptions

Field	Description
31–16 GPWE	Global Pin Write Enable Selects which Pin Control Registers (15 through 0) bits [15:0] update with the value in GPWD. 0 Corresponding Pin Control Register is not updated with the value in GPWD. 1 Corresponding Pin Control Register is updated with the value in GPWD.
15–0 GPWD	Global Pin Write Data Write value that is written to all Pin Control Registers bits [15:0] that are selected by GPWE.

11.5.3 Global Pin Control High Register (PORTx_GPCHR)

Only 32-bit writes are supported to this register.

Address: Base address + 84h offset



PORTx_GPCHR field descriptions

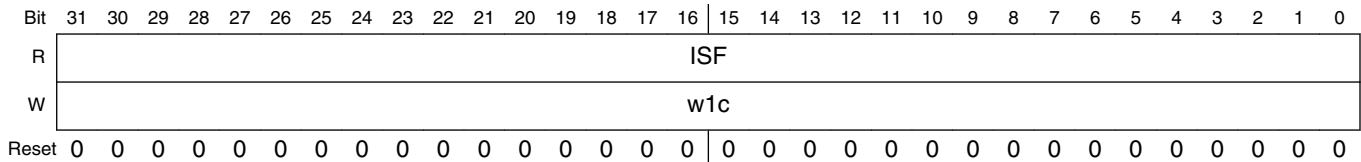
Field	Description
31–16 GPWE	Global Pin Write Enable Selects which Pin Control Registers (31 through 16) bits [15:0] update with the value in GPWD. 0 Corresponding Pin Control Register is not updated with the value in GPWD. 1 Corresponding Pin Control Register is updated with the value in GPWD.
15–0 GPWD	Global Pin Write Data Write value that is written to all Pin Control Registers bits [15:0] that are selected by GPWE.

11.5.4 Interrupt Status Flag Register (PORTx_ISFR)

The corresponding bit is read only for pins that do not support interrupt generation.

The pin interrupt configuration is valid in all digital pin muxing modes. The Interrupt Status Flag for each pin is also visible in the corresponding Pin Control Register, and each flag can be cleared in either location.

Address: Base address + A0h offset

**PORTx_ISFR field descriptions**

Field	Description
31–0 ISF	<p>Interrupt Status Flag</p> <p>Each bit in the field indicates the detection of the configured interrupt of the same number as the field.</p> <p>0 Configured interrupt is not detected.</p> <p>1 Configured interrupt is detected. If the pin is configured to generate a DMA request, then the corresponding flag will be cleared automatically at the completion of the requested DMA transfer. Otherwise, the flag remains set until a logic one is written to the flag. If the pin is configured for a level sensitive interrupt and the pin remains asserted, then the flag is set again immediately after it is cleared.</p>

11.6 Functional description

11.6.1 Pin control

Each port pin has a corresponding pin control register, `PORT_PCRn`, associated with it.

The upper half of the pin control register configures the pin's capability to either interrupt the CPU or request a DMA transfer, on a rising/falling edge or both edges as well as a logic level occurring on the port pin. It also includes a flag to indicate that an interrupt has occurred.

The lower half of the pin control register configures the following functions for each pin within the 32-bit port.

- Pullup or pulldown enable on selected pins
- Drive strength and slew rate configuration on selected pins
- Passive input filter enable on selected pins
- Pin Muxing mode

The functions apply across all digital Pin Muxing modes and individual peripherals do not override the configuration in the pin control register. For example, if an I²C function is enabled on a pin, that does not override the pullup configuration for that pin.

When the Pin Muxing mode is configured for analog or is disabled, all the digital functions on that pin are disabled. This includes the pullup and pulldown enables, and passive filter enable.

The configuration of each pin control register is retained when the PORT module is disabled.

11.6.2 Global pin control

The two global pin control registers allow a single register write to update the lower half of the pin control register on up to sixteen pins, all with the same value.

The global pin control registers are designed to enable software to quickly configure multiple pins within the one port for the same peripheral function. However, the interrupt functions cannot be configured using the global pin control registers.

The global pin control registers are write-only registers, that always read as zero.

11.6.3 External interrupts

The external interrupt capability of the PORT module is available in all digital pin muxing modes provided the PORT module is enabled.

Each pin can be individually configured for any of the following external interrupt modes:

- Interrupt disabled, default out of reset
- Active high level sensitive interrupt
- Active low level sensitive interrupt
- Rising edge sensitive interrupt
- Falling edge sensitive interrupt
- Rising and falling edge sensitive interrupt
- Rising edge sensitive DMA request
- Falling edge sensitive DMA request
- Rising and falling edge sensitive DMA request

The interrupt status flag is set when the configured edge or level is detected on the pin . When not in Stop mode, the input is first synchronized to the bus clock to detect the configured level or edge transition.

The PORT module generates a single interrupt that asserts when the interrupt status flag is set for any enabled interrupt for that port. The interrupt negates after the interrupt status flags for all enabled interrupts have been cleared by writing a logic 1 to the ISF flag in either the PORT_ISFR or PORT_PCRn registers.

The PORT module generates a single DMA request that asserts when the interrupt status flag is set for any enabled DMA request in that port. The DMA request negates after the DMA transfer is completed, because that clears the interrupt status flags for all enabled DMA requests.

During Stop mode, the interrupt status flag for any enabled interrupt is asynchronously set if the required level or edge is detected. This also generates an asynchronous wakeup signal to exit the Low-Power mode.

Chapter 12

System Integration Module (SIM)

12.1 Introduction

The system integration module (SIM) provides system control and chip configuration registers.

12.1.1 Features

- System clocking configuration
 - System clock divide values
 - Architectural clock gating control
 - ERCLK32K clock selection
 - UART0 and TPM clock selection
- Flash and System RAM size configuration
- TPM external clock and input capture selection
- UART receive/transmit source selection/configuration

12.2 Memory map and register definition

The SIM module contains many bitfields for selecting the clock source and dividers for various module clocks.

NOTE

The SIM registers can be written only in supervisor mode. In user mode, write accesses are blocked and will result in a bus error.

NOTE

The SIM_SOPT1 and SIM_SOPT1CFG registers are located at a different base address than the other SIM registers.

SIM memory map

Absolute address (hex)	Register name	Width (in bits)	Access	Reset value	Section/page
4004_7000	System Options Register 1 (SIM_SOPT1)	32	R/W	0000_0000h	12.2.1/195
4004_7004	SOPT1 Configuration Register (SIM_SOPT1CFG)	32	R/W	0000_0000h	12.2.2/195
4004_8004	System Options Register 2 (SIM_SOPT2)	32	R/W	0000_0000h	12.2.3/196
4004_800C	System Options Register 4 (SIM_SOPT4)	32	R/W	0000_0000h	12.2.4/198
4004_8010	System Options Register 5 (SIM_SOPT5)	32	R/W	0000_0000h	12.2.5/199
4004_8018	System Options Register 7 (SIM_SOPT7)	32	R/W	0000_0000h	12.2.6/201
4004_8024	System Device Identification Register (SIM_SDID)	32	R	See section	12.2.7/202
4004_8034	System Clock Gating Control Register 4 (SIM_SCGC4)	32	R/W	F000_0030h	12.2.8/204
4004_8038	System Clock Gating Control Register 5 (SIM_SCGC5)	32	R/W	0000_0182h	12.2.9/206
4004_803C	System Clock Gating Control Register 6 (SIM_SCGC6)	32	R/W	0000_0001h	12.2.10/208
4004_8040	System Clock Gating Control Register 7 (SIM_SCGC7)	32	R/W	0000_0100h	12.2.11/210
4004_8044	System Clock Divider Register 1 (SIM_CLKDIV1)	32	R/W	See section	12.2.12/210
4004_804C	Flash Configuration Register 1 (SIM_FCFG1)	32	R/W	See section	12.2.13/212
4004_8050	Flash Configuration Register 2 (SIM_FCFG2)	32	R	See section	12.2.14/213
4004_8058	Unique Identification Register Mid-High (SIM_UIDMH)	32	R	See section	12.2.15/214
4004_805C	Unique Identification Register Mid Low (SIM_UIDML)	32	R	See section	12.2.16/214
4004_8060	Unique Identification Register Low (SIM_UIDL)	32	R	See section	12.2.17/215
4004_8100	COP Control Register (SIM_COPC)	32	R/W	0000_000Ch	12.2.18/215
4004_8104	Service COP Register (SIM_SRVCOP)	32	W	0000_0000h	12.2.19/216

12.2.1 System Options Register 1 (SIM_SOPT1)

NOTE

The SOPT1 register is only reset on POR or LVD.

Address: 4004_7000h base + 0h offset = 4004_7000h

Bit	31	30	29	28	27	26	25	24	23	22	21	20	19	18	17	16
R	0												OSC32KSEL		0	
W	0															
Reset	0	0	0	0	0	0	0	0	0	0	0	0	0	0	0	0
Bit	15	14	13	12	11	10	9	8	7	6	5	4	3	2	1	0
R	0															
W	0															
Reset	0	0	0	0	0	0	0	0	0	0	0	0	0	0	0	0

SIM_SOPT1 field descriptions

Field	Description
31–20 Reserved	This field is reserved. This read-only field is reserved and always has the value 0.
19–18 OSC32KSEL	32K oscillator clock select Selects the 32 kHz clock source (ERCLK32K) for Segment LCD, RTC and LPTMR. This bit is reset only on POR/LVD. 00 System oscillator (OSC32KCLK) 01 Reserved 10 RTC_CLKIN 11 LPO 1kHz
17–0 Reserved	This field is reserved. This read-only field is reserved and always has the value 0.

12.2.2 SOPT1 Configuration Register (SIM_SOPT1CFG)

NOTE

The SOPT1CFG register is reset on System Reset not VLLS.

Address: 4004_7000h base + 4h offset = 4004_7004h

Bit	31	30	29	28	27	26	25	24	23	22	21	20	19	18	17	16	15	14	13	12	11	10	9	8	7	6	5	4	3	2	1	0	
R	0								0																								
W	0																																
Reset	0	0	0	0	0	0	0	0	0	0	0	0	0	0	0	0	0	0	0	0	0	0	0	0	0	0	0	0	0	0	0	0	0

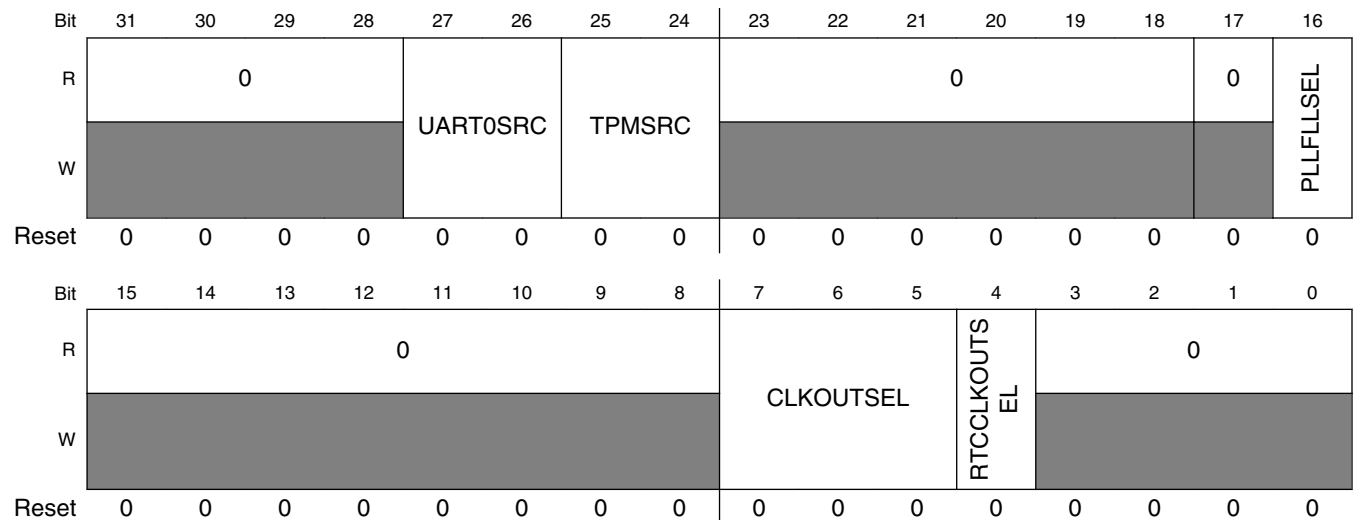
SIM_SOPT1CFG field descriptions

Field	Description
31–24 Reserved	This field is reserved. This read-only field is reserved and always has the value 0.
23–0 Reserved	This field is reserved. This read-only field is reserved and always has the value 0.

12.2.3 System Options Register 2 (SIM_SOPT2)

SOPT2 contains the controls for selecting many of the module clock source options on this device. See the Clock Distribution chapter for more information including clocking diagrams and definitions of device clocks.

Address: 4004_7000h base + 1004h offset = 4004_8004h



SIM_SOPT2 field descriptions

Field	Description
31–28 Reserved	This field is reserved. This read-only field is reserved and always has the value 0.
27–26 UART0SRC	UART0 Clock Source Select Selects the clock source for the UART0 transmit and receive clock. 00 Clock disabled 01 MCGFLLCLK clock 10 OSCERCLK clock 11 MCGIRCLK clock
25–24 TPMSRC	TPM Clock Source Select

Table continues on the next page...

SIM_SOPT2 field descriptions (continued)

Field	Description
	Selects the clock source for the TPM counter clock 00 Clock disabled 01 MCGFLLCLK clock 10 OSCERCLK clock 11 MCGIRCLK clock
23–18 Reserved	This field is reserved. This read-only field is reserved and always has the value 0.
17 Reserved	This field is reserved. This read-only field is reserved and always has the value 0.
16 PLLFLSEL	PLL/FLL clock select Selects the MCGPLLCLK or MCGFLLCLK clock for various peripheral clocking options. 0 MCGFLLCLK clock 1 MCGPLLCLK clock with fixed divide by two
15–8 Reserved	This field is reserved. This read-only field is reserved and always has the value 0.
7–5 CLKOUTSEL	CLKOUT select Selects the clock to output on the CLKOUT pin. 000 Reserved 001 Reserved 010 Bus clock 011 LPO clock (1 kHz) 100 MCGIRCLK 101 Reserved 110 OSCERCLK 111 Reserved
4 RTCCLKOUTSEL	RTC clock out select Selects either the RTC 1 Hz clock or the OSC clock to be output on the RTC_CLKOUT pin. 0 RTC 1 Hz clock is output on the RTC_CLKOUT pin. 1 OSCERCLK clock is output on the RTC_CLKOUT pin.
3–0 Reserved	This field is reserved. This read-only field is reserved and always has the value 0.

12.2.4 System Options Register 4 (SIM_SOPT4)

Address: 4004_7000h base + 100Ch offset = 4004_800Ch

Bit	31	30	29	28	27	26	25	24	23	22	21	20	19	18	17	16
R	0					TPM2CLKSEL	TPM1CLKSEL	TPM0CLKSEL	0			TPM2CH0SRC	TPM1CH0SRC	0		
W	[Reserved]					TPM2CLKSEL	TPM1CLKSEL	TPM0CLKSEL	[Reserved]			TPM2CH0SRC	TPM1CH0SRC	[Reserved]		
Reset	0	0	0	0	0	0	0	0	0	0	0	0	0	0	0	0
Bit	15	14	13	12	11	10	9	8	7	6	5	4	3	2	1	0
R	0															
W	[Reserved]															
Reset	0	0	0	0	0	0	0	0	0	0	0	0	0	0	0	0

SIM_SOPT4 field descriptions

Field	Description
31–27 Reserved	This field is reserved. This read-only field is reserved and always has the value 0.
26 TPM2CLKSEL	TPM2 External Clock Pin Select Selects the external pin used to drive the clock to the TPM2 module. NOTE: The selected pin must also be configured for the TPM external clock function through the appropriate Pin Control Register in the Port Control module. 0 TPM2 external clock driven by TPM_CLKIN0 pin. 1 TPM2 external clock driven by TPM_CLKIN1 pin.
25 TPM1CLKSEL	TPM1 External Clock Pin Select Selects the external pin used to drive the clock to the TPM1 module. NOTE: The selected pin must also be configured for the TPM external clock function through the appropriate pin control register in the port control module. 0 TPM1 external clock driven by TPM_CLKIN0 pin. 1 TPM1 external clock driven by TPM_CLKIN1 pin.
24 TPM0CLKSEL	TPM0 External Clock Pin Select Selects the external pin used to drive the clock to the TPM0 module. NOTE: The selected pin must also be configured for the TPM external clock function through the appropriate pin control register in the port control module. 0 TPM0 external clock driven by TPM_CLKIN0 pin. 1 TPM0 external clock driven by TPM_CLKIN1 pin.

Table continues on the next page...

SIM_SOPT4 field descriptions (continued)

Field	Description
23–21 Reserved	This field is reserved. This read-only field is reserved and always has the value 0.
20 TPM2CH0SRC	TPM2 channel 0 input capture source select Selects the source for TPM2 channel 0 input capture. NOTE: When TPM2 is not in input capture mode, clear this field. 0 TPM2_CH0 signal 1 CMP0 output
19–18 TPM1CH0SRC	TPM1 channel 0 input capture source select Selects the source for TPM1 channel 0 input capture. NOTE: When TPM1 is not in input capture mode, clear this field. 00 TPM1_CH0 signal 01 CMP0 output 10 Reserved 11 USB start of frame pulse
17–0 Reserved	This field is reserved. This read-only field is reserved and always has the value 0.

12.2.5 System Options Register 5 (SIM_SOPT5)

Address: 4004_7000h base + 1010h offset = 4004_8010h

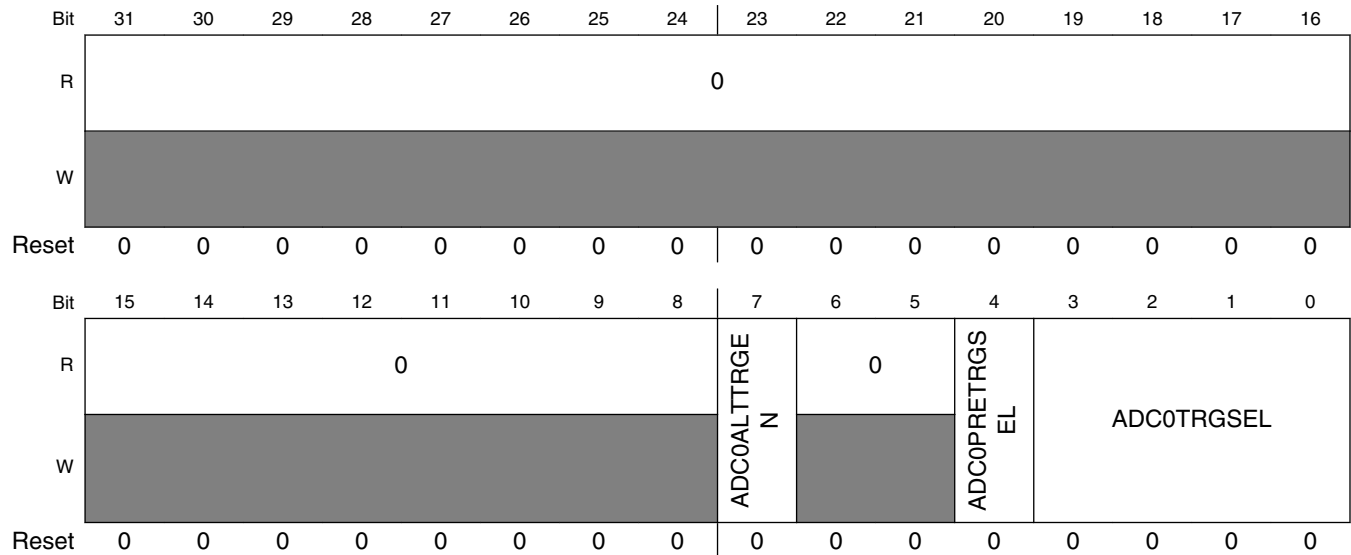
Bit	31	30	29	28	27	26	25	24	23	22	21	20	19	18	17	16	
R	0													0	UART2ODE	UART1ODE	UART0ODE
W	[Shaded]													[Shaded]			
Reset	0	0	0	0	0	0	0	0	0	0	0	0	0	0	0	0	
Bit	15	14	13	12	11	10	9	8	7	6	5	4	3	2	1	0	
R	0								UART1RXSRC	UART1TXSRC	0		UART0RXSRC	UART0TXSRC			
W	[Shaded]								UART1RXSRC	UART1TXSRC	[Shaded]		UART0RXSRC	UART0TXSRC			
Reset	0	0	0	0	0	0	0	0	0	0	0	0	0	0	0	0	

SIM_SOPT5 field descriptions

Field	Description
31–20 Reserved	This field is reserved. This read-only field is reserved and always has the value 0.
19 Reserved	This field is reserved. This read-only field is reserved and always has the value 0.
18 UART2ODE	UART2 Open Drain Enable 0 Open drain is disabled on UART2 1 Open drain is enabled on UART2
17 UART1ODE	UART1 Open Drain Enable 0 Open drain is disabled on UART1. 1 Open drain is enabled on UART1
16 UART0ODE	UART0 Open Drain Enable 0 Open drain is disabled on UART0 1 Open drain is enabled on UART0.
15–7 Reserved	This field is reserved. This read-only field is reserved and always has the value 0.
6 UART1RXSRC	UART1 receive data source select Selects the source for the UART1 receive data. 0 UART1_RX pin 1 CMP0 output
5–4 UART1TXSRC	UART1 transmit data source select Selects the source for the UART1 transmit data. 00 UART1_TX pin 01 UART1_TX pin modulated with TPM1 channel 0 output 10 UART1_TX pin modulated with TPM2 channel 0 output 11 Reserved
3 Reserved	This field is reserved. This read-only field is reserved and always has the value 0.
2 UART0RXSRC	UART0 Receive Data Source Select Selects the source for the UART0 receive data. 0 UART0_RX pin 1 CMP0 output
1–0 UART0TXSRC	UART0 Transmit Data Source Select Selects the source for the UART0 transmit data. 00 UART0_TX pin 01 UART0_TX pin modulated with TPM1 channel 0 output 10 UART0_TX pin modulated with TPM2 channel 0 output 11 Reserved

12.2.6 System Options Register 7 (SIM_SOPT7)

Address: 4004_7000h base + 1018h offset = 4004_8018h



SIM_SOPT7 field descriptions

Field	Description
31–8 Reserved	This field is reserved. This read-only field is reserved and always has the value 0.
7 ADC0ALTTTRGEN	ADC0 Alternate Trigger Enable Enables alternative conversion triggers for ADC0. 0 TPM1 channel 0 (A) and channel 1 (B) triggers selected for ADC0. 1 Alternate trigger selected for ADC0.
6–5 Reserved	This field is reserved. This read-only field is reserved and always has the value 0.
4 ADC0PRETRGSEL	ADC0 Pretrigger Select Selects the ADC0 pre-trigger source when alternative triggers are enabled through ADC0ALTTTRGEN. 0 Pre-trigger A 1 Pre-trigger B
3–0 ADC0TRGSEL	ADC0 trigger select Selects the ADC0 trigger source when alternative triggers are functional in stop and VLPS modes. . 0000 External trigger pin input (EXTRG_IN) 0001 CMP0 output 0010 Reserved 0011 Reserved 0100 PIT trigger 0 0101 PIT trigger 1

Table continues on the next page...

SIM_SOPT7 field descriptions (continued)

Field	Description
0110	Reserved
0111	Reserved
1000	TPM0 overflow
1001	TPM1 overflow
1010	TPM2 overflow
1011	Reserved
1100	RTC alarm
1101	RTC seconds
1110	LPTMR0 trigger
1111	Reserved

12.2.7 System Device Identification Register (SIM_SDID)

Address: 4004_7000h base + 1024h offset = 4004_8024h

Bit	31	30	29	28	27	26	25	24	23	22	21	20	19	18	17	16	15	14	13	12	11	10	9	8	7	6	5	4	3	2	1	0	
R	FAMID				SUBFAMID				SERIESID				SRAMSIZE				REVID				DIEID				0				PINID				
W	[Shaded]																																
Reset	*	*	*	*	*	*	*	*	*	0	0	0	1	*	*	*	*	*	*	*	*	0	1	0	1	1	0	0	0	*	*	*	*

* Notes:

- FAMID field: Device specific value.
- SUBFAMID field: Device specific value.
- SRAMSIZE field: Device specific value.
- REVID field: Device specific value.
- PINID field: Device specific value.

SIM_SDID field descriptions

Field	Description
31–28 FAMID	<p>Kinetis family ID</p> <p>Specifies the Kinetis family of the device.</p> <p>0000 KL0x Family (low end)</p> <p>0001 KL1x Family (basic)</p> <p>0010 KL2x Family (USB)</p> <p>0011 KL3x Family (Segment LCD)</p> <p>0100 KL4x Family (USB and Segment LCD)</p>
27–24 SUBFAMID	<p>Kinetis Sub-Family ID</p> <p>Specifies the Kinetis sub-family of the device.</p> <p>0010 KLx2 Subfamily (low end)</p> <p>0100 KLx4 Subfamily (basic analog)</p> <p>0101 KLx5 Subfamily (advanced analog)</p>

Table continues on the next page...

SIM_SDID field descriptions (continued)

Field	Description
	0110 KLx6 Subfamily (advanced analog with I2S) 0111 KLx7 Subfamily (advanced analog with I2S and extended RAM)
23–20 SERIESID	Kinetis Series ID Specifies the Kinetis family of the device. 0001 KL family
19–16 SRAMSIZE	System SRAM Size Specifies the size of the System SRAM 0000 0.5 KB 0001 1 KB 0010 2 KB 0011 4 KB 0100 8 KB 0101 16 KB 0110 32 KB 0111 64 KB
15–12 REVID	Device Revision Number Specifies the silicon implementation number for the device.
11–7 DIEID	Device Die Number Specifies the silicon implementation number for the device.
6–4 Reserved	This field is reserved. This read-only field is reserved and always has the value 0.
3–0 PINID	Pincount Identification Specifies the pincount of the device. 0000 16-pin 0001 24-pin 0010 32-pin 0011 36-pin 0100 48-pin 0101 64-pin 0110 80-pin 0111 Reserved 1000 100-pin 1001 Reserved 1010 Reserved 1011 Custom pinout (WLCSP) 1100 Reserved 1101 Reserved 1110 Reserved 1111 Reserved

12.2.8 System Clock Gating Control Register 4 (SIM_SCGC4)

Address: 4004_7000h base + 1034h offset = 4004_8034h

Bit	31	30	29	28	27	26	25	24	23	22	21	20	19	18	17	16
R	1				0				SPI1	SPI0	0		CMP	0	0	
W	[Shaded]										[Shaded]			[Shaded]	[Shaded]	
Reset	1	1	1	1	0	0	0	0	0	0	0	0	0	0	0	0
Bit	15	14	13	12	11	10	9	8	7	6	5	4	3	2	1	0
R	0	0	UART2	UART1	UART0	0			I2C1	I2C0	1		0			
W	[Shaded]		[Shaded]				[Shaded]				[Shaded]		[Shaded]			
Reset	0	0	0	0	0	0	0	0	0	0	1	1	0	0	0	0

SIM_SCGC4 field descriptions

Field	Description
31–28 Reserved	This field is reserved. This read-only field is reserved and always has the value 1.
27–24 Reserved	This field is reserved. This read-only field is reserved and always has the value 0.
23 SPI1	SPI1 Clock Gate Control This bit controls the clock gate to the SPI1 module. 0 Clock disabled 1 Clock enabled
22 SPI0	SPI0 Clock Gate Control Controls the clock gate to the SPI0 module. 0 Clock disabled 1 Clock enabled
21–20 Reserved	This field is reserved. This read-only field is reserved and always has the value 0.
19 CMP	Comparator Clock Gate Control Controls the clock gate to the comparator module. 0 Clock disabled 1 Clock enabled
18 Reserved	This field is reserved. This read-only field is reserved and always has the value 0.
17–14 Reserved	This field is reserved. This read-only field is reserved and always has the value 0.

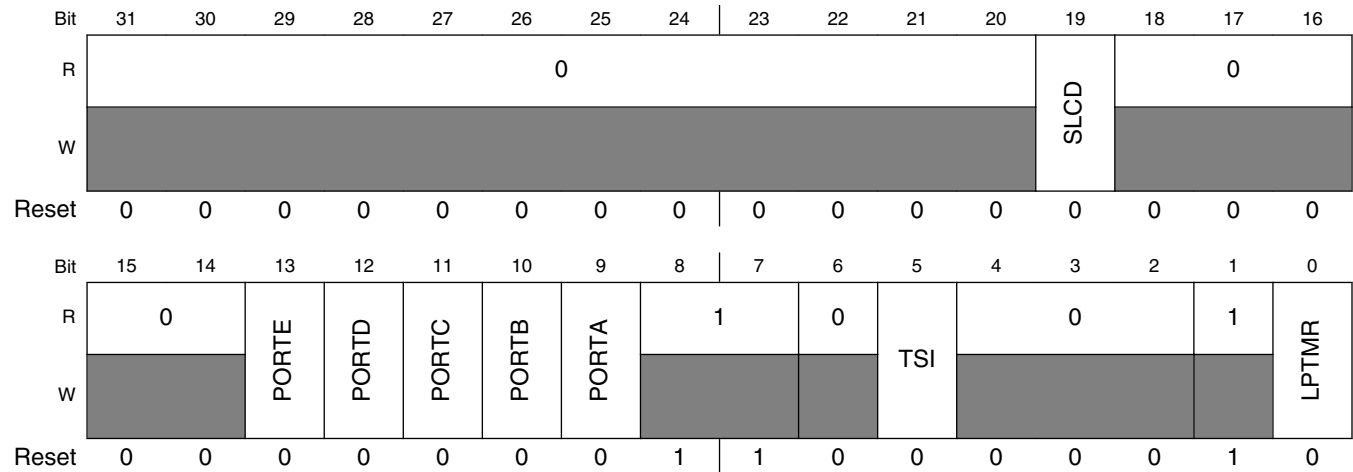
Table continues on the next page...

SIM_SCGC4 field descriptions (continued)

Field	Description
13 Reserved	This field is reserved. This read-only field is reserved and always has the value 0.
12 UART2	UART2 Clock Gate Control This bit controls the clock gate to the UART2 module. 0 Clock disabled 1 Clock enabled
11 UART1	UART1 Clock Gate Control This bit controls the clock gate to the UART1 module. 0 Clock disabled 1 Clock enabled
10 UART0	UART0 Clock Gate Control Controls the clock gate to the UART0 module. 0 Clock disabled 1 Clock enabled
9–8 Reserved	This field is reserved. This read-only field is reserved and always has the value 0.
7 I2C1	I2C1 Clock Gate Control This bit controls the clock gate to the I ² C1 module. 0 Clock disabled 1 Clock enabled
6 I2C0	I2C0 Clock Gate Control This bit controls the clock gate to the I ² C0 module. 0 Clock disabled 1 Clock enabled
5–4 Reserved	This field is reserved. This read-only field is reserved and always has the value 1.
3–0 Reserved	This field is reserved. This read-only field is reserved and always has the value 0.

12.2.9 System Clock Gating Control Register 5 (SIM_SCGC5)

Address: 4004_7000h base + 1038h offset = 4004_8038h



SIM_SCGC5 field descriptions

Field	Description
31–20 Reserved	This field is reserved. This read-only field is reserved and always has the value 0.
19 SLCD	Segment LCD Clock Gate Control This bit controls the clock gate to the Segment LCD module. 0 Clock disabled 1 Clock enabled
18–14 Reserved	This field is reserved. This read-only field is reserved and always has the value 0.
13 PORTE	Port E Clock Gate Control This bit controls the clock gate to the Port E module. 0 Clock disabled 1 Clock enabled
12 PORTD	Port D Clock Gate Control Controls the clock gate to the Port D module. 0 Clock disabled 1 Clock enabled
11 PORTC	Port C Clock Gate Control This bit controls the clock gate to the Port C module. 0 Clock disabled 1 Clock enabled

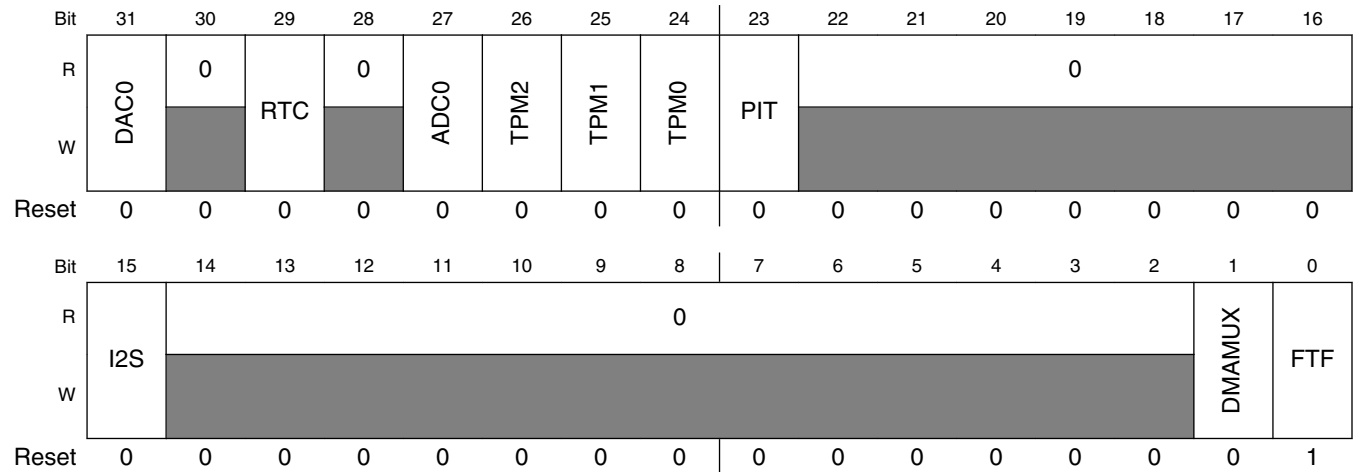
Table continues on the next page...

SIM_SCGC5 field descriptions (continued)

Field	Description
10 PORTB	Port B Clock Gate Control Controls the clock gate to the Port B module. 0 Clock disabled 1 Clock enabled
9 PORTA	Port A Clock Gate Control Controls the clock gate to the Port A module. 0 Clock disabled 1 Clock enabled
8–7 Reserved	This field is reserved. This read-only field is reserved and always has the value 1.
6 Reserved	This field is reserved. This read-only field is reserved and always has the value 0.
5 TSI	TSI Access Control This bit controls software access to the TSI module. 0 Access disabled 1 Access enabled
4–2 Reserved	This field is reserved. This read-only field is reserved and always has the value 0.
1 Reserved	This field is reserved. This read-only field is reserved and always has the value 1.
0 LPTMR	Low Power Timer Access Control This bit controls software access to the Low Power Timer module. 0 Access disabled 1 Access enabled

12.2.10 System Clock Gating Control Register 6 (SIM_SCGC6)

Address: 4004_7000h base + 103Ch offset = 4004_803Ch



SIM_SCGC6 field descriptions

Field	Description
31 DAC0	DAC0 Clock Gate Control This bit controls the clock gate to the DAC0 module. 0 Clock disabled 1 Clock enabled
30 Reserved	This field is reserved. This read-only field is reserved and always has the value 0.
29 RTC	RTC Access Control This bit controls software access and interrupts to the RTC module. 0 Access and interrupts disabled 1 Access and interrupts enabled
28 Reserved	This field is reserved. This read-only field is reserved and always has the value 0.
27 ADC0	ADC0 Clock Gate Control Controls the clock gate to the ADC0 module. 0 Clock disabled 1 Clock enabled
26 TPM2	TPM2 Clock Gate Control This bit controls the clock gate to the TPM2 module. 0 Clock disabled 1 Clock enabled

Table continues on the next page...

SIM_SCGC6 field descriptions (continued)

Field	Description
25 TPM1	<p>TPM1 Clock Gate Control</p> <p>Controls the clock gate to the TPM1 module.</p> <p>0 Clock disabled 1 Clock enabled</p>
24 TPM0	<p>TPM0 Clock Gate Control</p> <p>Controls the clock gate to the TPM0 module.</p> <p>0 Clock disabled 1 Clock enabled</p>
23 PIT	<p>PIT Clock Gate Control</p> <p>This bit controls the clock gate to the PIT module.</p> <p>0 Clock disabled 1 Clock enabled</p>
22–16 Reserved	<p>This field is reserved. This read-only field is reserved and always has the value 0.</p>
15 I2S	<p>I2S Clock Gate Control</p> <p>This bit controls the clock gate to the I²S module.</p> <p>0 Clock disabled 1 Clock enabled</p>
14–2 Reserved	<p>This field is reserved. This read-only field is reserved and always has the value 0.</p>
1 DMAMUX	<p>DMA Mux Clock Gate Control</p> <p>This bit controls the clock gate to the DMA Mux module.</p> <p>0 Clock disabled 1 Clock enabled</p>
0 FTF	<p>Flash Memory Clock Gate Control</p> <p>Controls the clock gate to the flash memory. Flash reads are still supported while the flash memory is clock gated, but entry into low power modes is blocked.</p> <p>0 Clock disabled 1 Clock enabled</p>

12.2.11 System Clock Gating Control Register 7 (SIM_SCGC7)

Address: 4004_7000h base + 1040h offset = 4004_8040h

Bit	31	30	29	28	27	26	25	24		23	22	21	20	19	18	17	16
R	0																
W																	
Reset	0	0	0	0	0	0	0	0		0	0	0	0	0	0	0	0
Bit	15	14	13	12	11	10	9	8		7	6	5	4	3	2	1	0
R	0								DMA	0							
W																	
Reset	0	0	0	0	0	0	0	1		0	0	0	0	0	0	0	0

SIM_SCGC7 field descriptions

Field	Description
31–9 Reserved	This field is reserved. This read-only field is reserved and always has the value 0.
8 DMA	DMA Clock Gate Control This bit controls the clock gate to the DMA module. 0 Clock disabled 1 Clock enabled
7–0 Reserved	This field is reserved. This read-only field is reserved and always has the value 0.

12.2.12 System Clock Divider Register 1 (SIM_CLKDIV1)

NOTE

The CLKDIV1 register cannot be written to when the device is in VLPR mode.

NOTE

Reset value loaded during System Reset from FTFA_FOFT[LPBOOT] (See [Table 6-2](#)).

Address: 4004_7000h base + 1044h offset = 4004_8044h

Bit	31	30	29	28	27	26	25	24	23	22	21	20	19	18	17	16		15	14	13	12	11	10	9	8	7	6	5	4	3	2	1	0
R	OUTDIV1				0								OUTDIV4				0																
W																																	
Reset	*	*	*	*	0	0	0	0	0	0	0	0	0	0	0	1		0	0	0	0	0	0	0	0	0	0	0	0	0	0	0	0

* Notes:

- OUTDIV1 field: The reset value depends on the FTFA_FOFT[LPBOOT]. It is loaded with 0000 (divide by 1), 0001 (divide by 2), 0011 (divide by 4, or 0111 (divide by 8).

SIM_CLKDIV1 field descriptions

Field	Description
31–28 OUTDIV1	<p>Clock 1 Output Divider value</p> <p>Sets the divide value for the core/system clock, as well as the bus/flash clocks. At the end of reset, it is loaded with 0000 (divide by one), 0001 (divide by two), 0011 (divide by four), or 0111 (divide by eight) depending on the setting of the FTFA_FOPT[LPBOOT] (See Table 6-2).</p> <p>0000 Divide-by-1. 0001 Divide-by-2. 0010 Divide-by-3. 0011 Divide-by-4. 0100 Divide-by-5. 0101 Divide-by-6. 0110 Divide-by-7. 0111 Divide-by-8. 1000 Divide-by-9. 1001 Divide-by-10. 1010 Divide-by-11. 1011 Divide-by-12. 1100 Divide-by-13. 1101 Divide-by-14. 1110 Divide-by-15. 1111 Divide-by-16.</p>
27–19 Reserved	<p>This field is reserved. This read-only field is reserved and always has the value 0.</p>
18–16 OUTDIV4	<p>Clock 4 Output Divider value</p> <p>Sets the divide value for the bus and flash clock and is in addition to the System clock divide ratio. At the end of reset, it is loaded with 0001 (divide by two).</p> <p>000 Divide-by-1. 001 Divide-by-2. 010 Divide-by-3. 011 Divide-by-4. 100 Divide-by-5. 101 Divide-by-6. 110 Divide-by-7. 111 Divide-by-8.</p>
15–0 Reserved	<p>This field is reserved. This read-only field is reserved and always has the value 0.</p>

12.2.13 Flash Configuration Register 1 (SIM_FCFG1)

Address: 4004_7000h base + 104Ch offset = 4004_804Ch

Bit	31	30	29	28	27	26	25	24	23	22	21	20	19	18	17	16
R	0				PFSIZE				0							
W	[Shaded]															
Reset	0	0	0	0	*	*	*	*	0	0	0	0	0	0	0	0
Bit	15	14	13	12	11	10	9	8	7	6	5	4	3	2	1	0
R	0														FLASHDOZE	FLASHDIS
W	[Shaded]															
Reset	0	0	0	0	0	0	0	0	0	0	0	0	0	0	0	0

* Notes:

- PFSIZE field: Device specific value.

SIM_FCFG1 field descriptions

Field	Description
31–28 Reserved	This field is reserved. This read-only field is reserved and always has the value 0.
27–24 PFSIZE	Program Flash Size Specifies the amount of program flash memory available on the device . Undefined values are reserved. 0000 8 KB of program flash memory, 0.25 KB protection region 0001 16 KB of program flash memory, 0.5 KB protection region 0011 32 KB of program flash memory, 1 KB protection region 0101 64 KB of program flash memory, 2 KB protection region 0111 128 KB of program flash memory, 4 KB protection region 1001 256 KB of program flash memory, 8 KB protection region 1111 256 KB of program flash memory, 8 KB protection region

Table continues on the next page...

SIM_FCFG1 field descriptions (continued)

Field	Description
23–2 Reserved	This field is reserved. This read-only field is reserved and always has the value 0.
1 FLASHDOZE	Flash Doze When set, flash memory is disabled for the duration of Doze mode. This field must be clear during VLP modes. The flash will be automatically enabled again at the end of Doze mode so interrupt vectors do not need to be relocated out of flash memory. The wake-up time from Doze mode is extended when this field is set. An attempt by the DMA or other bus master to access the flash memory when the flash is disabled will result in a bus error. 0 Flash remains enabled during Doze mode. 1 Flash is disabled for the duration of Doze mode.
0 FLASHDIS	Flash Disable Flash accesses are disabled (and generate a bus error) and the flash memory is placed in a low-power state. This field should not be changed during VLP modes. Relocate the interrupt vectors out of Flash memory before disabling the Flash. 0 Flash is enabled. 1 Flash is disabled.

12.2.14 Flash Configuration Register 2 (SIM_FCFG2)

Address: 4004_7000h base + 1050h offset = 4004_8050h

Bit	31	30	29	28	27	26	25	24	23	22	21	20	19	18	17	16
R	0	MAXADDR0							1	MAXADDR1						
W																
Reset	0	*	*	*	*	*	*	*	1	*	*	*	*	*	*	*
Bit	15	14	13	12	11	10	9	8	7	6	5	4	3	2	1	0
R	0															
W																
Reset	0	0	0	0	0	0	0	0	0	0	0	0	0	0	0	0

* Notes:

- MAXADDR0 field: Device specific value indicating amount of implemented flash.
- MAXADDR1 field: Device specific value indicating amount of implemented flash.

SIM_FCFG2 field descriptions

Field	Description
31 Reserved	This field is reserved. This read-only field is reserved and always has the value 0.
30–24 MAXADDR0	Max address block This field concatenated with leading zeros indicates the first invalid address of program flash (block 0).

Table continues on the next page...

SIM_FCFG2 field descriptions (continued)

Field	Description
	For example, if MAXADDR0 = 0x10 the first invalid address of program flash (block 0) is 0x0002_0000. This would be the MAXADDR0 value for a device with 128 KB program flash in flash block 0.
23 Reserved	This field is reserved. This read-only field is reserved and always has the value 1.
22–16 MAXADDR1	This field concatenated with leading zeros plus the value of the MAXADDR1 field indicates the first invalid address of the second program flash block (flash block 1). For example, if MAXADDR0 = MAXADDR1 = 0x10 the first invalid address of flash block 1 is 0x2_0000 + 0x2_0000. This would be the MAXADDR1 value for a device with 256 KB program flash memory across two flash blocks.
15–0 Reserved	This field is reserved. This read-only field is reserved and always has the value 0.

12.2.15 Unique Identification Register Mid-High (SIM_UIDMH)

Address: 4004_7000h base + 1058h offset = 4004_8058h

Bit	31	30	29	28	27	26	25	24	23	22	21	20	19	18	17	16	15	14	13	12	11	10	9	8	7	6	5	4	3	2	1	0	
R	0																UID																
W	[Shaded]																																
Reset	0	0	0	0	0	0	0	0	0	0	0	0	0	0	0	0	*	*	*	*	*	*	*	*	*	*	*	*	*	*	*	*	*

* Notes:

- UID field: Device specific value.

SIM_UIDMH field descriptions

Field	Description
31–16 Reserved	This field is reserved. This read-only field is reserved and always has the value 0.
15–0 UID	Unique Identification Unique identification for the device.

12.2.16 Unique Identification Register Mid Low (SIM_UIDML)

Address: 4004_7000h base + 105Ch offset = 4004_805Ch

Bit	31	30	29	28	27	26	25	24	23	22	21	20	19	18	17	16	15	14	13	12	11	10	9	8	7	6	5	4	3	2	1	0
R	UID																															
W	[Shaded]																															
Reset	*	*	*	*	*	*	*	*	*	*	*	*	*	*	*	*	*	*	*	*	*	*	*	*	*	*	*	*	*	*	*	*

* Notes:

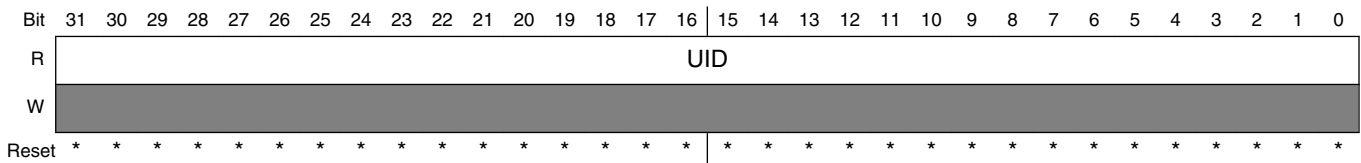
- UID field: Device specific value.

SIM_UIDML field descriptions

Field	Description
31–0 UID	Unique Identification Unique identification for the device.

12.2.17 Unique Identification Register Low (SIM_UIDL)

Address: 4004_7000h base + 1060h offset = 4004_8060h



* Notes:

- UID field: Device specific value.

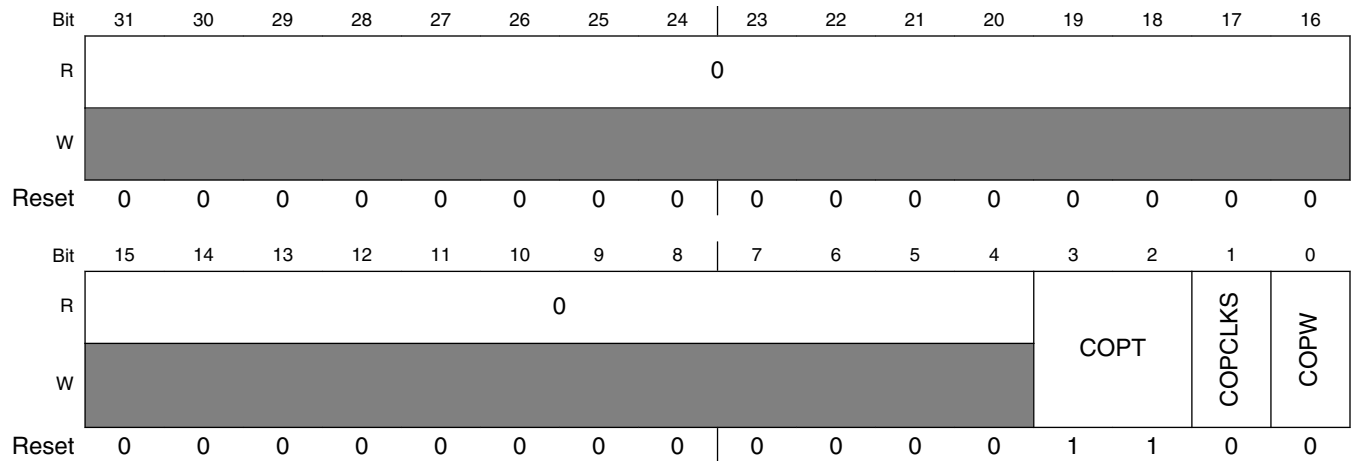
SIM_UIDL field descriptions

Field	Description
31–0 UID	Unique Identification Unique identification for the device.

12.2.18 COP Control Register (SIM_COPC)

All of the bits in this register can be written only once after a reset.

Address: 4004_7000h base + 1100h offset = 4004_8100h

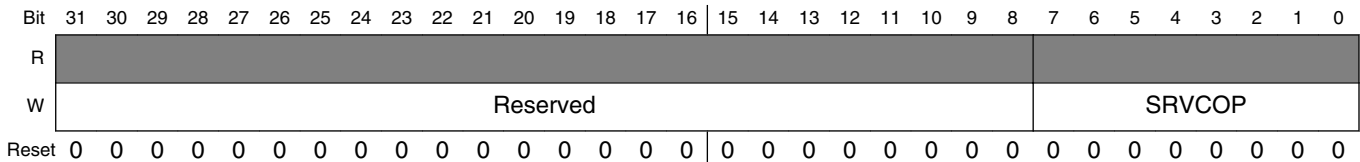


SIM_COPC field descriptions

Field	Description
31–4 Reserved	This field is reserved. This read-only field is reserved and always has the value 0.
3–2 COPT	COP Watchdog Timeout This write-once field selects the timeout period of the COP. COPT along with the COPCLKS field define the COP timeout period. 00 COP disabled 01 COP timeout after 2 ⁵ LPO cycles or 2 ¹³ bus clock cycles 10 COP timeout after 2 ⁸ LPO cycles or 2 ¹⁶ bus clock cycles 11 COP timeout after 2 ¹⁰ LPO cycles or 2 ¹⁸ bus clock cycles
1 COPCLKS	COP Clock Select This write-once field selects the clock source of the COP watchdog. 0 Internal 1 kHz clock is source to COP. 1 Bus clock is source to COP.
0 COPW	COP Windowed Mode Windowed mode is supported only when COP is running from the bus clock. The COP window is opened three quarters through the timeout period. 0 Normal mode 1 Windowed mode

12.2.19 Service COP Register (SIM_SRVCOP)

Address: 4004_7000h base + 1104h offset = 4004_8104h



SIM_SRVCOP field descriptions

Field	Description
31–8 Reserved	This field is reserved.
7–0 SRVCOP	Service COP Register Write 0x55 and then 0xAA (in that order) to reset the COP timeout counter.

12.3 Functional description

See [Introduction](#) section.

Chapter 13

System Mode Controller (SMC)

13.1 Introduction

NOTE

For the chip-specific implementation details of this module's instances, see the chip configuration information.

The System Mode Controller (SMC) is responsible for sequencing the system into and out of all low-power Stop and Run modes.

Specifically, it monitors events to trigger transitions between power modes while controlling the power, clocks, and memories of the system to achieve the power consumption and functionality of that mode.

This chapter describes all the available low-power modes, the sequence followed to enter/exit each mode, and the functionality available while in each of the modes.

The SMC is able to function during even the deepest low power modes.

13.2 Modes of operation

The ARM CPU has three primary modes of operation:

- Run
- Sleep
- Deep Sleep

The WFI or WFE instruction is used to invoke Sleep and Deep Sleep modes. Run, Wait, and Stop are the common terms used for the primary operating modes of Freescale microcontrollers.

The following table shows the translation between the ARM CPU modes and the Freescale MCU power modes.

Modes of operation

ARM CPU mode	MCU mode
Sleep	Wait
Deep Sleep	Stop

Accordingly, the ARM CPU documentation refers to sleep and deep sleep, while the Freescale MCU documentation normally uses wait and stop.

In addition, Freescale MCUs also augment Stop, Wait, and Run modes in a number of ways. The power management controller (PMC) contains a run and a stop mode regulator. Run regulation is used in normal run, wait and stop modes. Stop mode regulation is used during all very low power and low leakage modes. During stop mode regulation, the bus frequencies are limited in the very low power modes.

The SMC provides the user with multiple power options. The Very Low Power Run (VLPR) mode can drastically reduce run time power when maximum bus frequency is not required to handle the application needs. From Normal Run mode, the Run Mode (RUNM) field can be modified to change the MCU into VLPR mode when limited frequency is sufficient for the application. From VLPR mode, a corresponding wait (VLPW) and stop (VLPS) mode can be entered.

Depending on the needs of the user application, a variety of stop modes are available that allow the state retention, partial power down or full power down of certain logic and/or memory. I/O states are held in all modes of operation. Several registers are used to configure the various modes of operation for the device.

The following table describes the power modes available for the device.

Table 13-1. Power modes

Mode	Description
RUN	The MCU can be run at full speed and the internal supply is fully regulated, that is, in run regulation. This mode is also referred to as Normal Run mode.
WAIT	The core clock is gated off. The system clock continues to operate. Bus clocks, if enabled, continue to operate. Run regulation is maintained.
STOP	The core clock is gated off. System clocks to other masters and bus clocks are gated off after all stop acknowledge signals from supporting peripherals are valid.
VLPR	The core, system, bus, and flash clock maximum frequencies are restricted in this mode. See the Power Management chapter for details about the maximum allowable frequencies.
VLPW	The core clock is gated off. The system, bus, and flash clocks continue to operate, although their maximum frequency is restricted. See the Power Management chapter for details on the maximum allowable frequencies.
VLPS	The core clock is gated off. System clocks to other masters and bus clocks are gated off after all stop acknowledge signals from supporting peripherals are valid.

Table continues on the next page...

Table 13-1. Power modes (continued)

Mode	Description
LLS	The core clock is gated off. System clocks to other masters and bus clocks are gated off after all stop acknowledge signals from supporting peripherals are valid. The MCU is placed in a low leakage mode by reducing the voltage to internal logic. All system RAM contents, internal logic and I/O states are retained.
VLLS3	The core clock is gated off. System clocks to other masters and bus clocks are gated off after all stop acknowledge signals from supporting peripherals are valid. The MCU is placed in a low leakage mode by powering down the internal logic. All system RAM contents are retained and I/O states are held. Internal logic states are not retained.
VLLS1	The core clock is gated off. System clocks to other masters and bus clocks are gated off after all stop acknowledge signals from supporting peripherals are valid. The MCU is placed in a low leakage mode by powering down the internal logic and all system RAM. I/O states are held. Internal logic states are not retained.
VLLS0	The core clock is gated off. System clocks to other masters and bus clocks are gated off after all stop acknowledge signals from supporting peripherals are valid. The MCU is placed in a low leakage mode by powering down the internal logic and all system RAM. I/O states are held. Internal logic states are not retained. The 1kHz LPO clock is disabled and the power on reset (POR) circuit can be optionally enabled using STOPCTRL[PORPO].

13.3 Memory map and register descriptions

Information about the registers related to the system mode controller can be found here.

Different SMC registers reset on different reset types. Each register's description provides details. For more information about the types of reset on this chip, refer to the Reset section details.

NOTE

The SMC registers can be written only in supervisor mode. Write accesses in user mode are blocked and will result in a bus error.

SMC memory map

Absolute address (hex)	Register name	Width (in bits)	Access	Reset value	Section/page
4007_E000	Power Mode Protection register (SMC_PMPROT)	8	R/W	00h	13.3.1/222
4007_E001	Power Mode Control register (SMC_PMCTRL)	8	R/W	00h	13.3.2/223
4007_E002	Stop Control Register (SMC_STOPCTRL)	8	R/W	03h	13.3.3/224
4007_E003	Power Mode Status register (SMC_PMSTAT)	8	R	01h	13.3.4/226

13.3.1 Power Mode Protection register (SMC_PMPROT)

This register provides protection for entry into any low-power run or stop mode. The enabling of the low-power run or stop mode occurs by configuring the Power Mode Control register (PMCTRL).

The PMPROT register can be written only once after any system reset.

If the MCU is configured for a disallowed or reserved power mode, the MCU remains in its current power mode. For example, if the MCU is in normal RUN mode and AVLP is 0, an attempt to enter VLPR mode using PMCTRL[RUNM] is blocked and the RUNM bits remain 00b, indicating the MCU is still in Normal Run mode.

NOTE

This register is reset on Chip Reset not VLLS and by reset types that trigger Chip Reset not VLLS. It is unaffected by reset types that do not trigger Chip Reset not VLLS. See the Reset section details for more information.

Address: 4007_E000h base + 0h offset = 4007_E000h

Bit	7	6	5	4	3	2	1	0
Read	0	0	AVLP	0	ALLS	0	AVLLS	0
Write								
Reset	0	0	0	0	0	0	0	0

SMC_PMPROT field descriptions

Field	Description
7 Reserved	This field is reserved. This read-only field is reserved and always has the value 0.
6 Reserved	This field is reserved. This read-only field is reserved and always has the value 0.
5 AVLP	Allow Very-Low-Power Modes Provided the appropriate control bits are set up in PMCTRL, this write-once bit allows the MCU to enter any very-low-power mode (VLPR, VLPW, and VLPS). 0 VLPR, VLPW and VLPS are not allowed 1 VLPR, VLPW and VLPS are allowed
4 Reserved	This field is reserved. This read-only field is reserved and always has the value 0.
3 ALLS	Allow Low-Leakage Stop Mode Provided the appropriate control bits are set up in PMCTRL, this write-once bit allows the MCU to enter any low-leakage stop mode (LLS).

Table continues on the next page...

SMC_PMPROT field descriptions (continued)

Field	Description
	0 LLS is not allowed 1 LLS is allowed
2 Reserved	This field is reserved. This read-only field is reserved and always has the value 0.
1 AVLLS	Allow Very-Low-Leakage Stop Mode Provided the appropriate control bits are set up in PMCTRL, this write once bit allows the MCU to enter any very-low-leakage stop mode (VLLSx). 0 Any VLLSx mode is not allowed 1 Any VLLSx mode is allowed
0 Reserved	This field is reserved. This read-only field is reserved and always has the value 0.

13.3.2 Power Mode Control register (SMC_PMCTRL)

The PMCTRL register controls entry into low-power run and stop modes, provided that the selected power mode is allowed via an appropriate setting of the protection (PMPROT) register.

NOTE

This register is reset on Chip POR not VLLS and by reset types that trigger Chip POR not VLLS. It is unaffected by reset types that do not trigger Chip POR not VLLS. See the Reset section details for more information.

Address: 4007_E000h base + 1h offset = 4007_E001h

Bit	7	6	5	4	3	2	1	0
Read	Reserved	RUNM			0	STOPA	STOPM	
Write	Reserved	RUNM			0	STOPA	STOPM	
Reset	0	0	0	0	0	0	0	0

SMC_PMCTRL field descriptions

Field	Description
7 Reserved	Reserved. This field is reserved. This bit is reserved for future expansion and should always be written zero for deterministic operation.
6–5 RUNM	Run Mode Control When written, causes entry into the selected run mode. Writes to this field are blocked if the protection level has not been enabled using the PMPROT register. This field is cleared by hardware on any exit to normal RUN mode.

Table continues on the next page...

SMC_PMCTRL field descriptions (continued)

Field	Description
	<p>NOTE: RUNM may be set to VLPR only when PMSTAT=RUN. After being written to VLPR, RUNM should not be written back to RUN until PMSTAT=VLPR.</p> <p>00 Normal Run mode (RUN) 01 Reserved 10 Very-Low-Power Run mode (VLPR) 11 Reserved</p>
4 Reserved	<p>This field is reserved. This read-only field is reserved and always has the value 0.</p>
3 STOPA	<p>Stop Aborted</p> <p>When set, this read-only status bit indicates an interrupt or reset occurred during the previous stop mode entry sequence, preventing the system from entering that mode. This bit is cleared by hardware at the beginning of any stop mode entry sequence and is set if the sequence was aborted.</p> <p>0 The previous stop mode entry was successful. 1 The previous stop mode entry was aborted.</p>
2-0 STOPM	<p>Stop Mode Control</p> <p>When written, controls entry into the selected stop mode when Sleep-Now or Sleep-On-Exit mode is entered with SLEEPDEEP=1 . Writes to this field are blocked if the protection level has not been enabled using the PMPROT register. After any system reset, this field is cleared by hardware on any successful write to the PMPROT register.</p> <p>NOTE: When set to VLLSx, the VLLSM bits in the STOPCTRL register is used to further select the particular VLLS submode which will be entered.</p> <p>NOTE: When set to STOP, the PSTOPO bits in the STOPCTRL register can be used to select a Partial Stop mode if desired.</p> <p>000 Normal Stop (STOP) 001 Reserved 010 Very-Low-Power Stop (VLPS) 011 Low-Leakage Stop (LLS) 100 Very-Low-Leakage Stop (VLLSx) 101 Reserved 110 Reseved 111 Reserved</p>

13.3.3 Stop Control Register (SMC_STOPCTRL)

The STOPCTRL register provides various control bits allowing the user to fine tune power consumption during the stop mode selected by the STOPM field.

NOTE

This register is reset on Chip POR not VLLS and by reset types that trigger Chip POR not VLLS. It is unaffected by reset types

that do not trigger Chip POR not VLLS. See the Reset section details for more information.

Address: 4007_E000h base + 2h offset = 4007_E002h

Bit	7	6	5	4	3	2	1	0
Read	PSTOPO		PORPO	0	0	VLLSM		
Write								
Reset	0	0	0	0	0	0	1	1

SMC_STOPCTRL field descriptions

Field	Description
7–6 PSTOPO	<p>Partial Stop Option</p> <p>These bits control whether a Partial Stop mode is entered when STOPM=STOP. When entering a Partial Stop mode from RUN mode, the PMC, MCG and flash remain fully powered, allowing the device to wakeup almost instantaneously at the expense of higher power consumption. In PSTOP2, only system clocks are gated allowing peripherals running on bus clock to remain fully functional. In PSTOP1, both system and bus clocks are gated.</p> <p>00 STOP - Normal Stop mode 01 PSTOP1 - Partial Stop with both system and bus clocks disabled 10 PSTOP2 - Partial Stop with system clock disabled and bus clock enabled 11 Reserved</p>
5 PORPO	<p>POR Power Option</p> <p>This bit controls whether the POR detect circuit is enabled in VLLS0 mode.</p> <p>0 POR detect circuit is enabled in VLLS0 1 POR detect circuit is disabled in VLLS0</p>
4 Reserved	<p>This field is reserved. This read-only field is reserved and always has the value 0.</p>
3 Reserved	<p>This field is reserved. This read-only field is reserved and always has the value 0.</p>
2–0 VLLSM	<p>VLLS Mode Control</p> <p>This field controls which VLLS sub-mode to enter if STOPM=VLLSx.</p> <p>000 VLLS0 001 VLLS1 010 Reserved 011 VLLS3 100 Reserved 101 Reserved 110 Reserved 111 Reserved</p>

13.3.4 Power Mode Status register (SMC_PMSTAT)

PMSTAT is a read-only, one-hot register which indicates the current power mode of the system.

NOTE

This register is reset on Chip POR not VLLS and by reset types that trigger Chip POR not VLLS. It is unaffected by reset types that do not trigger Chip POR not VLLS. See the Reset section details for more information.

Address: 4007_E000h base + 3h offset = 4007_E003h

Bit	7	6	5	4	3	2	1	0
Read	0	PMSTAT						
Write								
Reset	0	0	0	0	0	0	0	1

SMC_PMSTAT field descriptions

Field	Description
7 Reserved	This field is reserved. This read-only field is reserved and always has the value 0.
6-0 PMSTAT	<p>NOTE: When debug is enabled, the PMSTAT will not update to STOP or VLPS</p> <p>NOTE: When a PSTOP mode is enabled, the PMSTAT will not update to STOP or VLPS</p> <p>000_0001 Current power mode is RUN</p> <p>000_0010 Current power mode is STOP</p> <p>000_0100 Current power mode is VLPR</p> <p>000_1000 Current power mode is VLPW</p> <p>001_0000 Current power mode is VLPS</p> <p>010_0000 Current power mode is LLS</p> <p>100_0000 Current power mode is VLLS</p>

13.4 Functional description

13.4.1 Power mode transitions

The following figure shows the power mode state transitions available on the chip. Any reset always brings the MCU back to the normal run state.

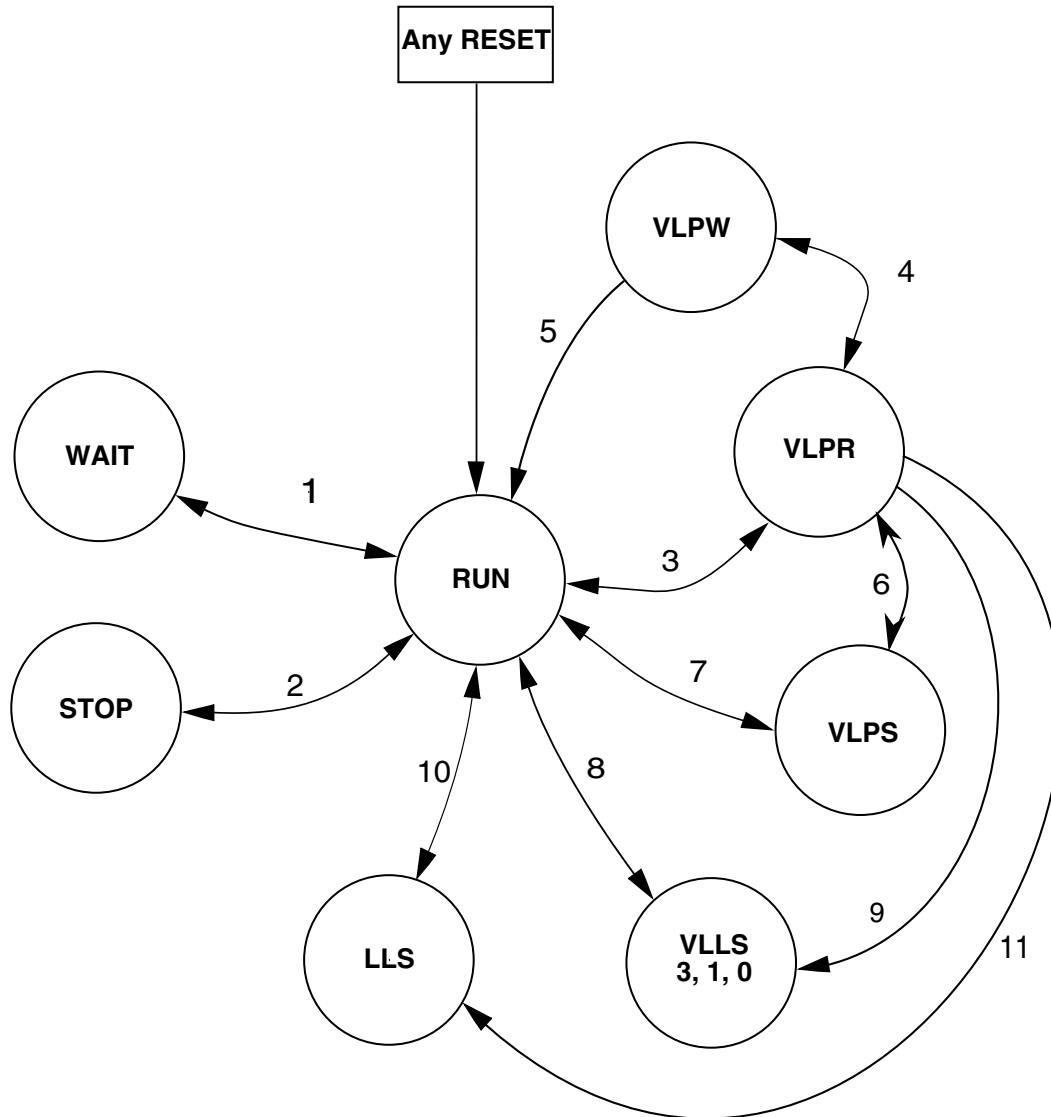


Figure 13-5. Power mode state diagram

The following table defines triggers for the various state transitions shown in the previous figure.

Table 13-7. Power mode transition triggers

Transition #	From	To	Trigger conditions
1	RUN	WAIT	Sleep-now or sleep-on-exit modes entered with SLEEPDEEP clear, controlled in System Control Register in ARM core. See note. ¹
	WAIT	RUN	Interrupt or Reset

Table continues on the next page...

Table 13-7. Power mode transition triggers (continued)

Transition #	From	To	Trigger conditions
2	RUN	STOP	PMCTRL[RUNM]=00, PMCTRL[STOPM]=000 ² Sleep-now or sleep-on-exit modes entered with SLEEPDEEP set, which is controlled in System Control Register in ARM core. See note. ¹
	STOP	RUN	Interrupt or Reset
3	RUN	VLPR	The core, system, bus and flash clock frequencies and MCG clocking mode are restricted in this mode. See the Power Management chapter for the maximum allowable frequencies and MCG modes supported. Set PMPROT[AVLP]=1, PMCTRL[RUNM]=10.
	VLPR	RUN	Set PMCTRL[RUNM]=00 or Reset.
4	VLPR	VLPW	Sleep-now or sleep-on-exit modes entered with SLEEPDEEP clear, which is controlled in System Control Register in ARM core. See note. ¹
	VLPW	VLPR	Interrupt
5	VLPW	RUN	Reset
6	VLPR	VLPS	PMCTRL[STOPM]=000 ³ or 010, Sleep-now or sleep-on-exit modes entered with SLEEPDEEP set, which is controlled in System Control Register in ARM core. See note. ¹
	VLPS	VLPR	Interrupt NOTE: If VLPS was entered directly from RUN, hardware will not allow this transition and will force exit back to RUN
7	RUN	VLPS	PMPROT[AVLP]=1, PMCTRL[STOPM]=010, Sleep-now or sleep-on-exit modes entered with SLEEPDEEP set, which is controlled in System Control Register in ARM core. See note. ¹
	VLPS	RUN	Interrupt and VLPS mode was entered directly from RUN or Reset
8	RUN	VLLSx	PMPROT[AVLLS]=1, PMCTRL[STOPM]=100, STOPCTRL[VLLSM]=x (VLLSx), Sleep-now or sleep-on-exit modes entered with SLEEPDEEP set, which is controlled in System Control Register in ARM core.
	VLLSx	RUN	Wakeup from enabled LLWU input source or RESET pin
9	VLPR	VLLSx	PMPROT[AVLLS]=1, PMCTRL[STOPM]=100, STOPCTRL[VLLSM]=x (VLLSx), Sleep-now or sleep-on-exit modes entered with SLEEPDEEP set, which is controlled in System Control Register in ARM core.

Table continues on the next page...

Table 13-7. Power mode transition triggers (continued)

Transition #	From	To	Trigger conditions
10	RUN	LLS	PMPROT[ALLS]=1, PMCTRL[STOPM]=011, Sleep-now or sleep-on-exit modes entered with SLEEPDEEP set, which is controlled in System Control Register in ARM core.
	LLS	RUN	Wakeup from enabled LLWU input source or RESET pin.
11	VLPR	LLS	PMPROT[ALLS]=1, PMCTRL[STOPM]=011, Sleep-now or sleep-on-exit modes entered with SLEEPDEEP set, which is controlled in System Control Register in ARM core.

1. If debug is enabled, the core clock remains to support debug.
2. If PMCTRL[STOPM]=000 and STOPCTRL[PSTOPO]=01 or 10, then only a Partial Stop mode is entered instead of STOP
3. If PMCTRL[STOPM]=000 and STOPCTRL[PSTOPO]=00, then VLPS mode is entered instead of STOP. If PMCTRL[STOPM]=000 and STOPCTRL[PSTOPO]=01 or 10, then only a Partial Stop mode is entered instead of VLPS

13.4.2 Power mode entry/exit sequencing

When entering or exiting low-power modes, the system must conform to an orderly sequence to manage transitions safely.

The SMC manages the system's entry into and exit from all power modes. This diagram illustrates the connections of the SMC with other system components in the chip that are necessary to sequence the system through all power modes.

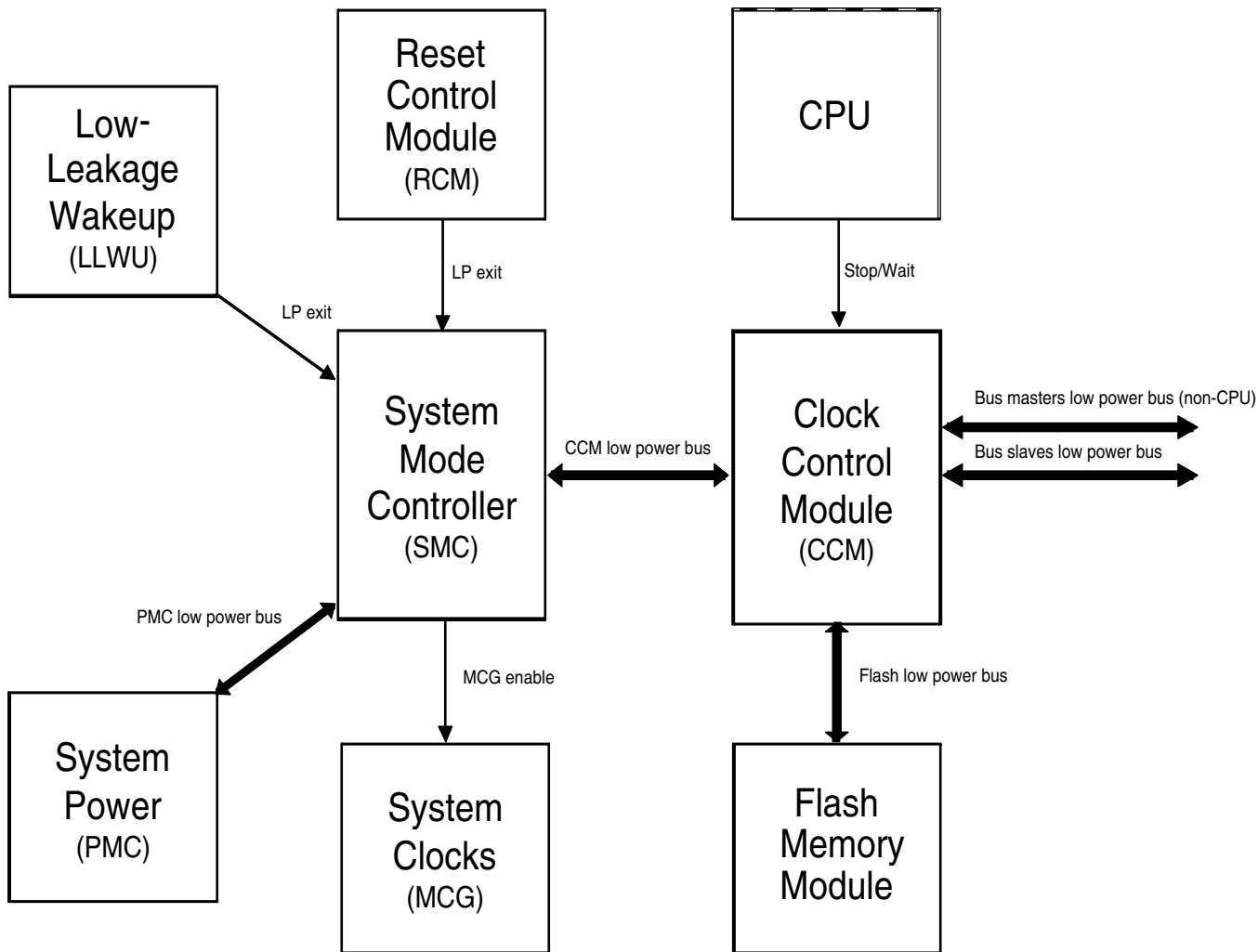


Figure 13-6. Low-power system components and connections

13.4.2.1 Stop mode entry sequence

Entry into a low-power stop mode (Stop, VLPS, LLS, VLLSx) is initiated by CPU execution of the WFI instruction. After the instruction is executed, the following sequence occurs:

1. The CPU clock is gated off immediately.

2. Requests are made to all non-CPU bus masters to enter Stop mode.
3. After all masters have acknowledged they are ready to enter Stop mode, requests are made to all bus slaves to enter Stop mode.
4. After all slaves have acknowledged they are ready to enter Stop mode, all system and bus clocks are gated off.
5. Clock generators are disabled in the MCG.
6. The on-chip regulator in the PMC and internal power switches are configured to meet the power consumption goals for the targeted low-power mode.

13.4.2.2 Stop mode exit sequence

Exit from a low-power stop mode is initiated either by a reset or an interrupt event. The following sequence then executes to restore the system to a run mode (RUN or VLPR):

1. The on-chip regulator in the PMC and internal power switches are restored.
2. Clock generators are enabled in the MCG.
3. System and bus clocks are enabled to all masters and slaves.
4. The CPU clock is enabled and the CPU begins servicing the reset or interrupt that initiated the exit from the low-power stop mode.

13.4.2.3 Aborted stop mode entry

If an interrupt or a reset occurs during a stop entry sequence, the SMC can abort the transition early and return to RUN mode without completely entering the stop mode. An aborted entry is possible only if the reset or interrupt occurs before the PMC begins the transition to stop mode regulation. After this point, the interrupt or reset is ignored until the PMC has completed its transition to stop mode regulation. When an aborted stop mode entry sequence occurs, the SMC's PMCTRL[STOPA] is set to 1.

13.4.2.4 Transition to wait modes

For wait modes (WAIT and VLPW), the CPU clock is gated off while all other clocking continues, as in RUN and VLPR mode operation. Some modules that support stop-in-wait functionality have their clocks disabled in these configurations.

13.4.2.5 Transition from stop modes to Debug mode

The debugger module supports a transition from STOP, WAIT, VLPS, and VLPW back to a Halted state when the debugger has been enabled. As part of this transition, system clocking is re-established and is equivalent to the normal RUN and VLPR mode clocking configuration.

13.4.3 Run modes

The run modes supported by this device can be found here.

- Run (RUN)
- Very Low-Power Run (VLPR)

13.4.3.1 RUN mode

This is the normal operating mode for the device.

This mode is selected after any reset. When the ARM processor exits reset, it sets up the stack, program counter (PC), and link register (LR):

- The processor reads the start SP (SP_main) from vector-table offset 0x000
- The processor reads the start PC from vector-table offset 0x004
- LR is set to 0xFFFF_FFFF.

To reduce power in this mode, disable the clocks to unused modules using their corresponding clock gating control bits in the SIM's registers.

13.4.3.2 Very-Low Power Run (VLPR) mode

In VLPR mode, the on-chip voltage regulator is put into a stop mode regulation state. In this state, the regulator is designed to supply enough current to the MCU over a reduced frequency. To further reduce power in this mode, disable the clocks to unused modules using their corresponding clock gating control bits in the SIM's registers.

Before entering this mode, the following conditions must be met:

- The MCG must be configured in a mode which is supported during VLPR. See the Power Management details for information about these MCG modes.
- All clock monitors in the MCG must be disabled.
- The maximum frequencies of the system, bus, flash, and core are restricted. See the Power Management details about which frequencies are supported.

- Mode protection must be set to allow VLP modes, that is, PMPROT[AVLP] is 1.
- PMCTRL[RUNM] is set to 10b to enter VLPR.
- Flash programming/erasing is not allowed.

NOTE

Do not change the clock frequency while in VLPR mode, because the regulator is slow responding and cannot manage fast load transitions. In addition, do not modify the clock source in the MCG module, the module clock enables in the SIM, or any clock divider registers.

To reenter Normal Run mode, clear RUNM. The PMSTAT register is a read-only status register that can be used to determine when the system has completed an exit to RUN mode. When PMSTAT=RUN, the system is in run regulation and the MCU can run at full speed in any clock mode. If a higher execution frequency is desired, poll the PMSTAT register until it is set to RUN when returning from VLPR mode.

Any reset always causes an exit from VLPR and returns the device to RUN mode after the MCU exits its reset flow.

13.4.4 Wait modes

This device contains two different wait modes which are listed here.

- Wait
- Very-Low Power Wait (VLPW)

13.4.4.1 WAIT mode

WAIT mode is entered when the ARM core enters the Sleep-Now or Sleep-On-Exit modes while SLEEDEEP is cleared. The ARM CPU enters a low-power state in which it is not clocked, but peripherals continue to be clocked provided they are enabled. Clock gating to the peripheral is enabled via the SIM.

When an interrupt request occurs, the CPU exits WAIT mode and resumes processing in RUN mode, beginning with the stacking operations leading to the interrupt service routine.

A system reset will cause an exit from WAIT mode, returning the device to normal RUN mode.

13.4.4.2 Very-Low-Power Wait (VLPW) mode

VLPW is entered by the entering the Sleep-Now or Sleep-On-Exit mode while SLEEPDEEP is cleared and the MCU is in VLPR mode.

In VLPW, the on-chip voltage regulator remains in its stop regulation state. In this state, the regulator is designed to supply enough current to the MCU over a reduced frequency. To further reduce power in this mode, disable the clocks to unused modules by clearing the peripherals' corresponding clock gating control bits in the SIM.

VLPR mode restrictions also apply to VLPW.

When an interrupt from VLPW occurs, the device returns to VLPR mode to execute the interrupt service routine.

A system reset will cause an exit from VLPW mode, returning the device to normal RUN mode.

13.4.5 Stop modes

This device contains a variety of stop modes to meet your application needs.

The stop modes range from:

- a stopped CPU, with all I/O, logic, and memory states retained, and certain asynchronous mode peripherals operating

to:

- a powered down CPU, with only I/O and a small register file retained, very few asynchronous mode peripherals operating, while the remainder of the MCU is powered down.

The choice of stop mode depends upon the user's application, and how power usage and state retention versus functional needs and recovery time may be traded off.

NOTE

All clock monitors must be disabled before entering these low-power modes: Stop, VLPS, VLPR, VLPW, LLS, and VLLSx.

The various stop modes are selected by setting the appropriate fields in PMPROT and PMCTRL. The selected stop mode is entered during the sleep-now or sleep-on-exit entry with the SLEEPDEEP bit set in the System Control Register in the ARM core.

The available stop modes are:

- Normal Stop (STOP)

- Very-Low Power Stop (VLPS)
- Low-Leakage Stop (LLS)
- Very-Low-Leakage Stop (VLLSx)

13.4.5.1 STOP mode

STOP mode is entered via the sleep-now or sleep-on-exit with the SLEEPDEEP bit set in the System Control Register in the ARM core.

The MCG module can be configured to leave the reference clocks running.

A module capable of providing an asynchronous interrupt to the device takes the device out of STOP mode and returns the device to normal RUN mode. Refer to the device's Power Management chapter for peripheral, I/O, and memory operation in STOP mode. When an interrupt request occurs, the CPU exits STOP mode and resumes processing, beginning with the stacking operations leading to the interrupt service routine.

A system reset will cause an exit from STOP mode, returning the device to normal RUN mode via an MCU reset.

13.4.5.2 Very-Low-Power Stop (VLPS) mode

The two ways in which VLPS mode can be entered are listed here.

- Entry into stop via the sleep-now or sleep-on-exit with the SLEEPDEEP bit set in the System Control Register in the ARM core while the MCU is in VLPR mode and STOPM=010 or 000 in the PMCTRL register.
- Entry into stop via the sleep-now or sleep-on-exit with the SLEEPDEEP bit set in the System Control Register in the ARM core while the MCU is in normal RUN mode and STOPM=010 in the PMCTRL register. When VLPS is entered directly from RUN mode, exit to VLPR is disabled by hardware and the system will always exit back to RUN.

In VLPS, the on-chip voltage regulator remains in its stop regulation state as in VLPR.

A module capable of providing an asynchronous interrupt to the device takes the device out of VLPS and returns the device to VLPR mode.

A system reset will also cause a VLPS exit, returning the device to normal RUN mode.

13.4.5.3 Low-Leakage Stop (LLS) mode

Low-Leakage Stop (LLS) mode can be entered from normal RUN or VLPR modes.

The MCU enters LLS mode if:

- In Sleep-Now or Sleep-On-Exit mode, SLEEPDEEP is set in the System Control Register in the ARM core, and
- The device is configured as shown in [Table 13-7](#).

In LLS, the on-chip voltage regulator is in stop regulation. Most of the peripherals are put in a state-retention mode that does not allow them to operate while in LLS.

Before entering LLS mode, the user should configure the low-leakage wakeup (LLWU) module to enable the desired wakeup sources. The available wakeup sources in LLS are detailed in the chip configuration details for this device.

After wakeup from LLS, the device returns to with a pending LLWU module interrupt. In the LLWU interrupt service routine (ISR), the user can poll the LLWU module wakeup flags to determine the source of the wakeup.

NOTE

The LLWU interrupt must not be masked by the interrupt controller to avoid a scenario where the system does not fully exit stop mode on an LLS recovery.

An asserted $\overline{\text{RESET}}$ pin will cause an exit from LLS mode, returning the device to normal RUN mode. When LLS is exiting via the $\overline{\text{RESET}}$ pin, the PIN and WAKEUP bits are set in the SRS0 register of the reset control module (RCM).

13.4.5.4 Very-Low-Leakage Stop (VLLSx) modes

This device contains these very low leakage modes:

- VLLS3
- VLLS1
- VLLS0

VLLSx is often used in this document to refer to all of these modes.

All VLLSx modes can be entered from normal RUN or VLPR modes.

The MCU enters the configured VLLS mode if:

- In Sleep-Now or Sleep-On-Exit mode, the SLEEPDEEP bit is set in the System Control Register in the ARM core, and
- The device is configured as shown in [Table 13-7](#).

In VLLS, the on-chip voltage regulator is in its stop-regulation state while most digital logic is powered off.

Before entering VLLS mode, the user should configure the low-leakage wakeup (LLWU) module to enable the desired wakeup sources. The available wakeup sources in VLLS are detailed in the chip configuration details for this device.

After wakeup from VLLS, the device returns to normal RUN mode with a pending LLWU interrupt. In the LLWU interrupt service routine (ISR), the user can poll the LLWU module wakeup flags to determine the source of the wakeup.

When entering VLLS, each I/O pin is latched as configured before executing VLLS. Because all digital logic in the MCU is powered off, all port and peripheral data is lost during VLLS. This information must be restored before the ACKISO bit in the PMC is set.

An asserted $\overline{\text{RESET}}$ pin will cause an exit from any VLLS mode, returning the device to normal RUN mode. When exiting VLLS via the $\overline{\text{RESET}}$ pin, the PIN and WAKEUP bits are set in the SRS0 register of the reset control module (RCM).

13.4.6 Debug in low power modes

When the MCU is secure, the device disables/limits debugger operation. When the MCU is unsecure, the ARM debugger can assert two power-up request signals:

- System power up, via SYSPWR in the Debug Port Control/Stat register
- Debug power up, via CDBGPWRUPREQ in the Debug Port Control/Stat register

When asserted while in RUN, WAIT, VLPR, or VLPW, the mode controller drives a corresponding acknowledge for each signal, that is, both CDBGPWRUPACK and CSYSPWRUPACK. When both requests are asserted, the mode controller handles attempts to enter STOP and VLPS by entering an emulated stop state. In this emulated stop state:

- the regulator is in run regulation,
- the MCG-generated clock source is enabled,
- all system clocks, except the core clock, are disabled,
- the debug module has access to core registers, and
- access to the on-chip peripherals is blocked.

No debug is available while the MCU is in LLS or VLLS modes. LLS is a state-retention mode and all debug operation can continue after waking from LLS, even in cases where system wakeup is due to a system reset event.

Functional description

Entering into a VLLS mode causes all of the debug controls and settings to be powered off. To give time to the debugger to sync with the MCU, the MDM AP Control Register includes a Very-Low-Leakage Debug Request (VLLDBGREQ) bit that is set to configure the Reset Controller logic to hold the system in reset after the next recovery from a VLLS mode. This bit allows the debugger time to reinitialize the debug module before the debug session continues.

The MDM AP Control Register also includes a Very Low Leakage Debug Acknowledge (VLLDBGACK) bit that is set to release the ARM core being held in reset following a VLLS recovery. The debugger reinitializes all debug IP, and then asserts the VLLDBGACK control bit to allow the RCM to release the ARM core from reset and allow CPU operation to begin.

The VLLDBGACK bit is cleared by the debugger (or can be left set as is) or clears automatically due to the reset generated as part of the next VLLS recovery.

Chapter 14

Power Management Controller (PMC)

14.1 Introduction

NOTE

For the chip-specific implementation details of this module's instances, see the chip configuration information.

The power management controller (PMC) contains the internal voltage regulator, power on reset (POR), and low voltage detect system.

14.2 Features

A list of included PMC features can be found here.

- Internal voltage regulator
- Active POR providing brown-out detect
- Low-voltage detect supporting two low-voltage trip points with four warning levels per trip point

14.3 Low-voltage detect (LVD) system

This device includes a system to guard against low-voltage conditions. This protects memory contents and controls MCU system states during supply voltage variations.

The system is comprised of a power-on reset (POR) circuit and a LVD circuit with a user-selectable trip voltage: high (V_{LVDH}) or low (V_{LVDL}). The trip voltage is selected by $LVDSC1[LVDV]$. The LVD is disabled upon entering VLPx, LLS, and VLLSx modes.

Two flags are available to indicate the status of the low-voltage detect system:

- The Low Voltage Detect Flag in the Low Voltage Status and Control 1 Register (LVDS1[LVDF]) operates in a level sensitive manner. LVDS1[LVDF] is set when the supply voltage falls below the selected trip point (VLVD). LVDS1[LVDF] is cleared by writing 1 to LVDS1[LVDAK], but only if the internal supply has returned above the trip point; otherwise, LVDS1[LVDF] remains set.
- The Low Voltage Warning Flag (LVWF) in the Low Voltage Status and Control 2 Register (LVDS2[LVWF]) operates in a level sensitive manner. LVDS2[LVWF] is set when the supply voltage falls below the selected monitor trip point (VLVW). LVDS2[LVWF] is cleared by writing one to LVDS2[LVWAK], but only if the internal supply has returned above the trip point; otherwise, LVDS2[LVWF] remains set.

14.3.1 LVD reset operation

By setting LVDS1[LVDR], the LVD generates a reset upon detection of a low-voltage condition. The low-voltage detection threshold is determined by LVDS1[LVDV]. After an LVD reset occurs, the LVD system holds the MCU in reset until the supply voltage rises above this threshold. The LVD field in the SRS register of the RCM module (RCM_SRS0[LVD]) is set following an LVD or power-on reset.

14.3.2 LVD interrupt operation

By configuring the LVD circuit for interrupt operation (LVDR set and LVDR clear), LVDS1[LVDF] is set and an LVD interrupt request occurs upon detection of a low voltage condition. The LVDF bit is cleared by writing one to the LVDS1[LVDAK] bit.

14.3.3 Low-voltage warning (LVW) interrupt operation

The LVD system contains a Low-Voltage Warning Flag (LVWF) in the Low Voltage Detect Status and Control 2 Register to indicate that the supply voltage is approaching, but is above, the LVD voltage. The LVW also has an interrupt, which is enabled by setting LVDS2[LVWIE]. If enabled, an LVW interrupt request occurs when LVDS2[LVWF] is set. LVDS2[LVWF] is cleared by writing 1 to LVDS2[LVWAK].

LVDS2[LVWV] selects one of the four trip voltages:

- Highest: V_{LVW4}
- Two mid-levels: V_{LVW3} and V_{LVW2}
- Lowest: V_{LVW1}

14.4 I/O retention

When in LLS mode, the I/O pins are held in their input or output state.

Upon wakeup, the PMC is re-enabled, goes through a power up sequence to full regulation, and releases the logic from state retention mode. The I/O are released immediately after a wakeup or reset event. In the case of LLS exit via a RESET pin, the I/O default to their reset state.

When in VLLS modes, the I/O states are held on a wakeup event (with the exception of wakeup by reset event) until the wakeup has been acknowledged via a write to the ACKISO bit. In the case of VLLS exit via a RESET pin, the I/O are released and default to their reset state. In this case, no write to the ACKISO is needed.

14.5 Memory map and register descriptions

Details about the PMC registers can be found here.

NOTE

Different portions of PMC registers are reset only by particular reset types. Each register's description provides details. For more information about the types of reset on this chip, refer to the Reset section details.

The PMC registers can be written only in supervisor mode. Write accesses in user mode are blocked and will result in a bus error.

PMC memory map

Absolute address (hex)	Register name	Width (in bits)	Access	Reset value	Section/page
4007_D000	Low Voltage Detect Status And Control 1 register (PMC_LVDSC1)	8	R/W	10h	14.5.1/242
4007_D001	Low Voltage Detect Status And Control 2 register (PMC_LVDSC2)	8	R/W	00h	14.5.2/243
4007_D002	Regulator Status And Control register (PMC_REGSC)	8	R/W	04h	14.5.3/244

14.5.1 Low Voltage Detect Status And Control 1 register (PMC_LVDSC1)

This register contains status and control bits to support the low voltage detect function. This register should be written during the reset initialization program to set the desired controls even if the desired settings are the same as the reset settings.

While the device is in the very low power or low leakage modes, the LVD system is disabled regardless of LVDSC1 settings. To protect systems that must have LVD always on, configure the SMC's power mode protection register (PMPROT) to disallow any very low power or low leakage modes from being enabled.

See the device's data sheet for the exact LVD trip voltages.

NOTE

The LVDV bits are reset solely on a POR Only event. The register's other bits are reset on Chip Reset Not VLLS. For more information about these reset types, refer to the Reset section details.

Address: 4007_D000h base + 0h offset = 4007_D000h

Bit	7	6	5	4	3	2	1	0
Read	LVDF	0	LVDIE	LVDRE	0		LVDV	
Write		LVDACK						
Reset	0	0	0	1	0	0	0	0

PMC_LVDSC1 field descriptions

Field	Description
7 LVDF	Low-Voltage Detect Flag This read-only status bit indicates a low-voltage detect event. 0 Low-voltage event not detected 1 Low-voltage event detected
6 LVDACK	Low-Voltage Detect Acknowledge This write-only bit is used to acknowledge low voltage detection errors. Write 1 to clear LVDF. Reads always return 0.
5 LVDIE	Low-Voltage Detect Interrupt Enable Enables hardware interrupt requests for LVDF. 0 Hardware interrupt disabled (use polling) 1 Request a hardware interrupt when LVDF = 1

Table continues on the next page...

PMC_LVDSC1 field descriptions (continued)

Field	Description
4 LVDRE	<p>Low-Voltage Detect Reset Enable</p> <p>This write-once bit enables LVDF events to generate a hardware reset. Additional writes are ignored.</p> <p>0 LVDF does not generate hardware resets 1 Force an MCU reset when LVDF = 1</p>
3–2 Reserved	<p>This field is reserved.</p> <p>This read-only field is reserved and always has the value 0.</p>
1–0 LVDV	<p>Low-Voltage Detect Voltage Select</p> <p>Selects the LVD trip point voltage (V_{LVD}).</p> <p>00 Low trip point selected ($V_{LVD} = V_{LVDL}$) 01 High trip point selected ($V_{LVD} = V_{LVDH}$) 10 Reserved 11 Reserved</p>

14.5.2 Low Voltage Detect Status And Control 2 register (PMC_LVDSC2)

This register contains status and control bits to support the low voltage warning function.

While the device is in the very low power or low leakage modes, the LVD system is disabled regardless of LVDSC2 settings.

See the device's data sheet for the exact LVD trip voltages.

NOTE

The LVW trip voltages depend on LVWV and LVDV bits.

NOTE

The LVWV bits are reset solely on a POR Only event. The register's other bits are reset on Chip Reset Not VLLS. For more information about these reset types, refer to the Reset section details.

Address: 4007_D000h base + 1h offset = 4007_D001h

Bit	7	6	5	4	3	2	1	0
Read	LVWF	0	LVWIE	0		LVWV		
Write	LVWACK							
Reset	0	0	0	0	0	0	0	0

PMC_LVDSC2 field descriptions

Field	Description
7 LVWF	<p>Low-Voltage Warning Flag</p> <p>This read-only status bit indicates a low-voltage warning event. LVWF is set when V_{Supply} transitions below the trip point, or after reset and V_{Supply} is already below V_{LVW}. LVWF bit may be 1 after power on reset, therefore, to use LVW interrupt function, before enabling LVWIE, LVWF must be cleared by writing LVWACK first.</p> <p>0 Low-voltage warning event not detected 1 Low-voltage warning event detected</p>
6 LVWACK	<p>Low-Voltage Warning Acknowledge</p> <p>This write-only bit is used to acknowledge low voltage warning errors. Write 1 to clear LVWF. Reads always return 0.</p>
5 LVWIE	<p>Low-Voltage Warning Interrupt Enable</p> <p>Enables hardware interrupt requests for LVWF.</p> <p>0 Hardware interrupt disabled (use polling) 1 Request a hardware interrupt when LVWF = 1</p>
4–2 Reserved	<p>This field is reserved. This read-only field is reserved and always has the value 0.</p>
1–0 LVWV	<p>Low-Voltage Warning Voltage Select</p> <p>Selects the LVW trip point voltage (V_{LVW}). The actual voltage for the warning depends on LVWIE[LVWV].</p> <p>00 Low trip point selected ($V_{LVW} = V_{LVW1}$) 01 Mid 1 trip point selected ($V_{LVW} = V_{LVW2}$) 10 Mid 2 trip point selected ($V_{LVW} = V_{LVW3}$) 11 High trip point selected ($V_{LVW} = V_{LVW4}$)</p>

14.5.3 Regulator Status And Control register (PMC_REGSC)

The PMC contains an internal voltage regulator. The voltage regulator design uses a bandgap reference that is also available through a buffer as input to certain internal peripherals, such as the CMP and ADC. The internal regulator provides a status bit (REGONS) indicating the regulator is in run regulation.

NOTE

This register is reset on Chip Reset Not VLLS and by reset types that trigger Chip Reset not VLLS. See the Reset section details for more information.

Address: 4007_D000h base + 2h offset = 4007_D002h

Bit	7	6	5	4	3	2	1	0
Read	0		Reserved	BGEN	ACKISO	REGONS	Reserved	BGBE
Write					w1c			
Reset	0	0	0	0	0	1	0	0

PMC_REGSC field descriptions

Field	Description
7–6 Reserved	This field is reserved. This read-only field is reserved and always has the value 0.
5 Reserved	This field is reserved.
4 BGEN	Bandgap Enable In VLPx Operation BGEN controls whether the bandgap is enabled in lower power modes of operation (VLPx, LLS, and VLLSx). When on-chip peripherals require the bandgap voltage reference in low power modes of operation, set BGEN to continue to enable the bandgap operation. NOTE: When the bandgap voltage reference is not needed in low power modes, clear BGEN to avoid excess power consumption. 0 Bandgap voltage reference is disabled in VLPx , LLS , and VLLSx modes 1 Bandgap voltage reference is enabled in VLPx , LLS , and VLLSx modes
3 ACKISO	Acknowledge Isolation Reading this bit indicates whether certain peripherals and the I/O pads are in a latched state as a result of having been in a VLLS mode. Writing one to this bit when it is set releases the I/O pads and certain peripherals to their normal run mode state. NOTE: After recovering from a VLLS mode, user should restore chip configuration before clearing ACKISO. In particular, pin configuration for enabled LLWU wakeup pins should be restored to avoid any LLWU flag from being falsely set when ACKISO is cleared. 0 Peripherals and I/O pads are in normal run state 1 Certain peripherals and I/O pads are in an isolated and latched state
2 REGONS	Regulator In Run Regulation Status This read-only bit provides the current status of the internal voltage regulator. 0 Regulator is in stop regulation or in transition to/from it 1 Regulator is in run regulation
1 Reserved	This field is reserved. NOTE: This reserved bit must remain cleared (set to 0).
0 BGBE	Bandgap Buffer Enable Enables the bandgap buffer. 0 Bandgap buffer not enabled 1 Bandgap buffer enabled

Chapter 15

Low-Leakage Wakeup Unit (LLWU)

15.1 Introduction

NOTE

For the chip-specific implementation details of this module's instances, see the chip configuration information.

The LLWU module allows the user to select up to 16 external pin sources and up to 8 internal modules as a wakeup source from low-leakage power modes.

The input sources are described in the device's chip configuration details. Each of the available wakeup sources can be individually enabled.

The LLWU module also includes two optional digital pin filters for the external wakeup pins.

15.1.1 Features

The LLWU module features include:

- Support for up to 16 external input pins and up to 8 internal modules with individual enable bits
- Input sources may be external pins or from internal peripherals capable of running in LLS or VLLS. See the chip configuration information for wakeup input sources for this device.
- External pin wakeup inputs, each of which is programmable as falling-edge, rising-edge, or any change
- Wakeup inputs that are activated if enabled after MCU enters a low-leakage power mode
- Optional digital filters provided to qualify an external pin detect. Note that when the LPO clock is disabled, the filters are disabled and bypassed.

15.1.2 Modes of operation

The LLWU module becomes functional on entry into a low-leakage power mode. After recovery from LLS, the LLWU is immediately disabled. After recovery from VLLS, the LLWU continues to detect wakeup events until the user has acknowledged the wakeup via a write to the PMC_REGSC[ACKISO] bit.

15.1.2.1 LLS mode

Wakeup events due to external wakeup inputs and internal module wakeup inputs result in an interrupt flow when exiting LLS.

NOTE

The LLWU interrupt must not be masked by the interrupt controller to avoid a scenario where the system does not fully exit Stop mode on an LLS recovery.

15.1.2.2 VLLS modes

All wakeup events result in VLLS exit via a reset flow.

15.1.2.3 Non-low leakage modes

The LLWU is not active in all non-low leakage modes where detection and control logic are in a static state. The LLWU registers are accessible in non-low leakage modes and are available for configuring and reading status when bus transactions are possible.

When the wakeup pin filters are enabled, filter operation begins immediately. If a low leakage mode is entered within 5 LPO clock cycles of an active edge, the edge event will be detected by the LLWU.

15.1.2.4 Debug mode

When the chip is in Debug mode and then enters LLS or a VLLSx mode, no debug logic works in the fully-functional low-leakage mode. Upon an exit from the LLS or VLLSx mode, the LLWU becomes inactive.

15.1.3 Block diagram

The following figure is the block diagram for the LLWU module.

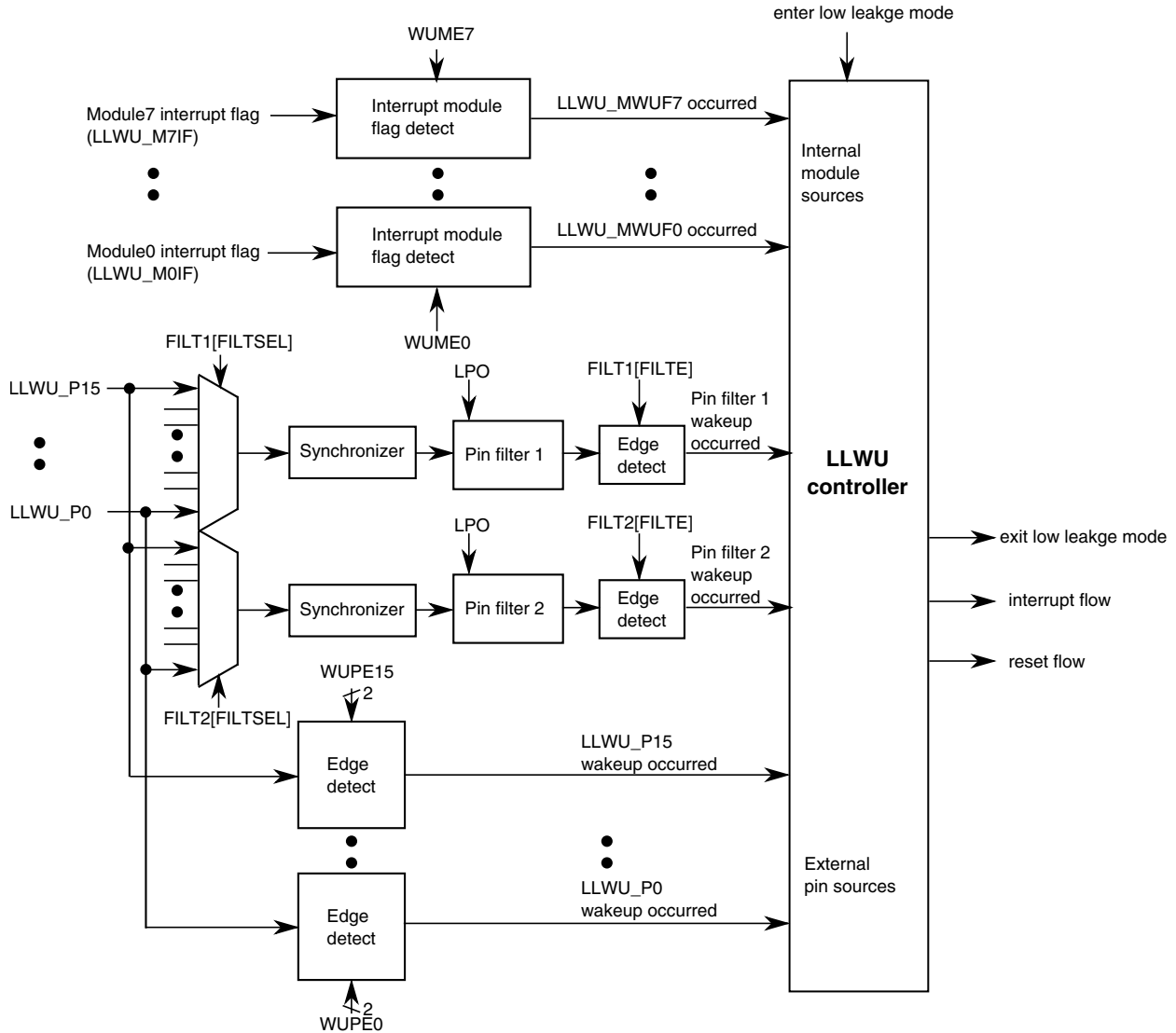


Figure 15-1. LLWU block diagram

15.2 LLWU signal descriptions

The signal properties of LLWU are shown in the table found here.

The external wakeup input pins can be enabled to detect either rising-edge, falling-edge, or on any change.

Table 15-1. LLWU signal descriptions

Signal	Description	I/O
LLWU_Pn	Wakeup inputs (n = 0-15)	I

15.3 Memory map/register definition

The LLWU includes the following registers:

- Wakeup source enable registers
 - Enable external pin input sources
 - Enable internal peripheral sources
- Wakeup flag registers
 - Indication of wakeup source that caused exit from a low-leakage power mode includes external pin or internal module interrupt
- Wakeup pin filter enable registers

NOTE

The LLWU registers can be written only in supervisor mode. Write accesses in user mode are blocked and will result in a bus error.

All LLWU registers are reset by Chip Reset not VLLS and by reset types that trigger Chip Reset not VLLS. Each register's displayed reset value represents this subset of reset types. LLWU registers are unaffected by reset types that do not trigger Chip Reset not VLLS. For more information about the types of reset on this chip, refer to the [Introduction](#) details.

LLWU memory map

Absolute address (hex)	Register name	Width (in bits)	Access	Reset value	Section/page
4007_C000	LLWU Pin Enable 1 register (LLWU_PE1)	8	R/W	00h	15.3.1/251
4007_C001	LLWU Pin Enable 2 register (LLWU_PE2)	8	R/W	00h	15.3.2/252
4007_C002	LLWU Pin Enable 3 register (LLWU_PE3)	8	R/W	00h	15.3.3/253
4007_C003	LLWU Pin Enable 4 register (LLWU_PE4)	8	R/W	00h	15.3.4/254

Table continues on the next page...

LLWU memory map (continued)

Absolute address (hex)	Register name	Width (in bits)	Access	Reset value	Section/page
4007_C004	LLWU Module Enable register (LLWU_ME)	8	R/W	00h	15.3.5/255
4007_C005	LLWU Flag 1 register (LLWU_F1)	8	R/W	00h	15.3.6/257
4007_C006	LLWU Flag 2 register (LLWU_F2)	8	R/W	00h	15.3.7/258
4007_C007	LLWU Flag 3 register (LLWU_F3)	8	R	00h	15.3.8/260
4007_C008	LLWU Pin Filter 1 register (LLWU_FILT1)	8	R/W	00h	15.3.9/262
4007_C009	LLWU Pin Filter 2 register (LLWU_FILT2)	8	R/W	00h	15.3.10/263

15.3.1 LLWU Pin Enable 1 register (LLWU_PE1)

LLWU_PE1 contains the field to enable and select the edge detect type for the external wakeup input pins LLWU_P3-LLWU_P0.

NOTE

This register is reset on Chip Reset not VLLS and by reset types that trigger Chip Reset not VLLS. It is unaffected by reset types that do not trigger Chip Reset not VLLS. See the [Introduction](#) details for more information.

Address: 4007_C000h base + 0h offset = 4007_C000h

Bit	7	6	5	4	3	2	1	0
Read	WUPE3		WUPE2		WUPE1		WUPE0	
Write								
Reset	0	0	0	0	0	0	0	0

LLWU_PE1 field descriptions

Field	Description
7-6 WUPE3	<p>Wakeup Pin Enable For LLWU_P3</p> <p>Enables and configures the edge detection for the wakeup pin.</p> <p>00 External input pin disabled as wakeup input 01 External input pin enabled with rising edge detection 10 External input pin enabled with falling edge detection 11 External input pin enabled with any change detection</p>
5-4 WUPE2	<p>Wakeup Pin Enable For LLWU_P2</p> <p>Enables and configures the edge detection for the wakeup pin.</p> <p>00 External input pin disabled as wakeup input 01 External input pin enabled with rising edge detection 10 External input pin enabled with falling edge detection 11 External input pin enabled with any change detection</p>

Table continues on the next page...

LLWU_PE1 field descriptions (continued)

Field	Description
3–2 WUPE1	<p>Wakeup Pin Enable For LLWU_P1</p> <p>Enables and configures the edge detection for the wakeup pin.</p> <p>00 External input pin disabled as wakeup input 01 External input pin enabled with rising edge detection 10 External input pin enabled with falling edge detection 11 External input pin enabled with any change detection</p>
1–0 WUPE0	<p>Wakeup Pin Enable For LLWU_P0</p> <p>Enables and configures the edge detection for the wakeup pin.</p> <p>00 External input pin disabled as wakeup input 01 External input pin enabled with rising edge detection 10 External input pin enabled with falling edge detection 11 External input pin enabled with any change detection</p>

15.3.2 LLWU Pin Enable 2 register (LLWU_PE2)

LLWU_PE2 contains the field to enable and select the edge detect type for the external wakeup input pins LLWU_P7-LLWU_P4.

NOTE

This register is reset on Chip Reset not VLLS and by reset types that trigger Chip Reset not VLLS. It is unaffected by reset types that do not trigger Chip Reset not VLLS. See the [Introduction](#) details for more information.

Address: 4007_C000h base + 1h offset = 4007_C001h

Bit	7	6	5	4	3	2	1	0
Read	WUPE7		WUPE6		WUPE5		WUPE4	
Write								
Reset	0	0	0	0	0	0	0	0

LLWU_PE2 field descriptions

Field	Description
7–6 WUPE7	<p>Wakeup Pin Enable For LLWU_P7</p> <p>Enables and configures the edge detection for the wakeup pin.</p> <p>00 External input pin disabled as wakeup input 01 External input pin enabled with rising edge detection 10 External input pin enabled with falling edge detection 11 External input pin enabled with any change detection</p>

Table continues on the next page...

LLWU_PE2 field descriptions (continued)

Field	Description
5–4 WUPE6	Wakeup Pin Enable For LLWU_P6 Enables and configures the edge detection for the wakeup pin. 00 External input pin disabled as wakeup input 01 External input pin enabled with rising edge detection 10 External input pin enabled with falling edge detection 11 External input pin enabled with any change detection
3–2 WUPE5	Wakeup Pin Enable For LLWU_P5 Enables and configures the edge detection for the wakeup pin. 00 External input pin disabled as wakeup input 01 External input pin enabled with rising edge detection 10 External input pin enabled with falling edge detection 11 External input pin enabled with any change detection
1–0 WUPE4	Wakeup Pin Enable For LLWU_P4 Enables and configures the edge detection for the wakeup pin. 00 External input pin disabled as wakeup input 01 External input pin enabled with rising edge detection 10 External input pin enabled with falling edge detection 11 External input pin enabled with any change detection

15.3.3 LLWU Pin Enable 3 register (LLWU_PE3)

LLWU_PE3 contains the field to enable and select the edge detect type for the external wakeup input pins LLWU_P11-LLWU_P8.

NOTE

This register is reset on Chip Reset not VLLS and by reset types that trigger Chip Reset not VLLS. It is unaffected by reset types that do not trigger Chip Reset not VLLS. See the [Introduction](#) details for more information.

Address: 4007_C000h base + 2h offset = 4007_C002h

Bit	7	6	5	4	3	2	1	0
Read	WUPE11		WUPE10		WUPE9		WUPE8	
Write								
Reset	0	0	0	0	0	0	0	0

LLWU_PE3 field descriptions

Field	Description
7–6 WUPE11	Wakeup Pin Enable For LLWU_P11

Table continues on the next page...

LLWU_PE3 field descriptions (continued)

Field	Description
	Enables and configures the edge detection for the wakeup pin. 00 External input pin disabled as wakeup input 01 External input pin enabled with rising edge detection 10 External input pin enabled with falling edge detection 11 External input pin enabled with any change detection
5-4 WUPE10	Wakeup Pin Enable For LLWU_P10 Enables and configures the edge detection for the wakeup pin. 00 External input pin disabled as wakeup input 01 External input pin enabled with rising edge detection 10 External input pin enabled with falling edge detection 11 External input pin enabled with any change detection
3-2 WUPE9	Wakeup Pin Enable For LLWU_P9 Enables and configures the edge detection for the wakeup pin. 00 External input pin disabled as wakeup input 01 External input pin enabled with rising edge detection 10 External input pin enabled with falling edge detection 11 External input pin enabled with any change detection
1-0 WUPE8	Wakeup Pin Enable For LLWU_P8 Enables and configures the edge detection for the wakeup pin. 00 External input pin disabled as wakeup input 01 External input pin enabled with rising edge detection 10 External input pin enabled with falling edge detection 11 External input pin enabled with any change detection

15.3.4 LLWU Pin Enable 4 register (LLWU_PE4)

LLWU_PE4 contains the field to enable and select the edge detect type for the external wakeup input pins LLWU_P15-LLWU_P12.

NOTE

This register is reset on Chip Reset not VLLS and by reset types that trigger Chip Reset not VLLS. It is unaffected by reset types that do not trigger Chip Reset not VLLS. See the [Introduction](#) details for more information.

Address: 4007_C000h base + 3h offset = 4007_C003h

Bit	7	6	5	4	3	2	1	0
Read	WUPE15		WUPE14		WUPE13		WUPE12	
Write								
Reset	0	0	0	0	0	0	0	0

LLWU_PE4 field descriptions

Field	Description
7-6 WUPE15	<p>Wakeup Pin Enable For LLWU_P15</p> <p>Enables and configures the edge detection for the wakeup pin.</p> <p>00 External input pin disabled as wakeup input 01 External input pin enabled with rising edge detection 10 External input pin enabled with falling edge detection 11 External input pin enabled with any change detection</p>
5-4 WUPE14	<p>Wakeup Pin Enable For LLWU_P14</p> <p>Enables and configures the edge detection for the wakeup pin.</p> <p>00 External input pin disabled as wakeup input 01 External input pin enabled with rising edge detection 10 External input pin enabled with falling edge detection 11 External input pin enabled with any change detection</p>
3-2 WUPE13	<p>Wakeup Pin Enable For LLWU_P13</p> <p>Enables and configures the edge detection for the wakeup pin.</p> <p>00 External input pin disabled as wakeup input 01 External input pin enabled with rising edge detection 10 External input pin enabled with falling edge detection 11 External input pin enabled with any change detection</p>
1-0 WUPE12	<p>Wakeup Pin Enable For LLWU_P12</p> <p>Enables and configures the edge detection for the wakeup pin.</p> <p>00 External input pin disabled as wakeup input 01 External input pin enabled with rising edge detection 10 External input pin enabled with falling edge detection 11 External input pin enabled with any change detection</p>

15.3.5 LLWU Module Enable register (LLWU_ME)

LLWU_ME contains the bits to enable the internal module flag as a wakeup input source for inputs MWUF7-MWUF0.

NOTE

This register is reset on Chip Reset not VLLS and by reset types that trigger Chip Reset not VLLS. It is unaffected by reset types that do not trigger Chip Reset not VLLS. See the [Introduction](#) details for more information.

Memory map/register definition

Address: 4007_C000h base + 4h offset = 4007_C004h

Bit	7	6	5	4	3	2	1	0
Read	WUME7	WUME6	WUME5	WUME4	WUME3	WUME2	WUME1	WUME0
Write								
Reset	0	0	0	0	0	0	0	0

LLWU_ME field descriptions

Field	Description
7 WUME7	<p>Wakeup Module Enable For Module 7</p> <p>Enables an internal module as a wakeup source input.</p> <p>0 Internal module flag not used as wakeup source 1 Internal module flag used as wakeup source</p>
6 WUME6	<p>Wakeup Module Enable For Module 6</p> <p>Enables an internal module as a wakeup source input.</p> <p>0 Internal module flag not used as wakeup source 1 Internal module flag used as wakeup source</p>
5 WUME5	<p>Wakeup Module Enable For Module 5</p> <p>Enables an internal module as a wakeup source input.</p> <p>0 Internal module flag not used as wakeup source 1 Internal module flag used as wakeup source</p>
4 WUME4	<p>Wakeup Module Enable For Module 4</p> <p>Enables an internal module as a wakeup source input.</p> <p>0 Internal module flag not used as wakeup source 1 Internal module flag used as wakeup source</p>
3 WUME3	<p>Wakeup Module Enable For Module 3</p> <p>Enables an internal module as a wakeup source input.</p> <p>0 Internal module flag not used as wakeup source 1 Internal module flag used as wakeup source</p>
2 WUME2	<p>Wakeup Module Enable For Module 2</p> <p>Enables an internal module as a wakeup source input.</p> <p>0 Internal module flag not used as wakeup source 1 Internal module flag used as wakeup source</p>
1 WUME1	<p>Wakeup Module Enable for Module 1</p> <p>Enables an internal module as a wakeup source input.</p> <p>0 Internal module flag not used as wakeup source 1 Internal module flag used as wakeup source</p>
0 WUME0	<p>Wakeup Module Enable For Module 0</p> <p>Enables an internal module as a wakeup source input.</p>

Table continues on the next page...

LLWU_ME field descriptions (continued)

Field	Description
0	Internal module flag not used as wakeup source
1	Internal module flag used as wakeup source

15.3.6 LLWU Flag 1 register (LLWU_F1)

LLWU_F1 contains the wakeup flags indicating which wakeup source caused the MCU to exit LLS or VLLS mode. For LLS, this is the source causing the CPU interrupt flow. For VLLS, this is the source causing the MCU reset flow.

The external wakeup flags are read-only and clearing a flag is accomplished by a write of a 1 to the corresponding WUFx bit. The wakeup flag (WUFx), if set, will remain set if the associated WUPEx bit is cleared.

NOTE

This register is reset on Chip Reset not VLLS and by reset types that trigger Chip Reset not VLLS. It is unaffected by reset types that do not trigger Chip Reset not VLLS. See the [Introduction](#) details for more information.

Address: 4007_C000h base + 5h offset = 4007_C005h

Bit	7	6	5	4	3	2	1	0
Read	WUF7	WUF6	WUF5	WUF4	WUF3	WUF2	WUF1	WUF0
Write	w1c	w1c	w1c	w1c	w1c	w1c	w1c	w1c
Reset	0	0	0	0	0	0	0	0

LLWU_F1 field descriptions

Field	Description
7 WUF7	<p>Wakeup Flag For LLWU_P7</p> <p>Indicates that an enabled external wakeup pin was a source of exiting a low-leakage power mode. To clear the flag write a one to WUF7.</p> <p>0 LLWU_P7 input was not a wakeup source 1 LLWU_P7 input was a wakeup source</p>
6 WUF6	<p>Wakeup Flag For LLWU_P6</p> <p>Indicates that an enabled external wakeup pin was a source of exiting a low-leakage power mode. To clear the flag write a one to WUF6.</p> <p>0 LLWU_P6 input was not a wakeup source 1 LLWU_P6 input was a wakeup source</p>

Table continues on the next page...

LLWU_F1 field descriptions (continued)

Field	Description
5 WUF5	<p>Wakeup Flag For LLWU_P5</p> <p>Indicates that an enabled external wakeup pin was a source of exiting a low-leakage power mode. To clear the flag write a one to WUF5.</p> <p>0 LLWU_P5 input was not a wakeup source 1 LLWU_P5 input was a wakeup source</p>
4 WUF4	<p>Wakeup Flag For LLWU_P4</p> <p>Indicates that an enabled external wakeup pin was a source of exiting a low-leakage power mode. To clear the flag write a one to WUF4.</p> <p>0 LLWU_P4 input was not a wakeup source 1 LLWU_P4 input was a wakeup source</p>
3 WUF3	<p>Wakeup Flag For LLWU_P3</p> <p>Indicates that an enabled external wakeup pin was a source of exiting a low-leakage power mode. To clear the flag write a one to WUF3.</p> <p>0 LLWU_P3 input was not a wakeup source 1 LLWU_P3 input was a wakeup source</p>
2 WUF2	<p>Wakeup Flag For LLWU_P2</p> <p>Indicates that an enabled external wakeup pin was a source of exiting a low-leakage power mode. To clear the flag write a one to WUF2.</p> <p>0 LLWU_P2 input was not a wakeup source 1 LLWU_P2 input was a wakeup source</p>
1 WUF1	<p>Wakeup Flag For LLWU_P1</p> <p>Indicates that an enabled external wakeup pin was a source of exiting a low-leakage power mode. To clear the flag write a one to WUF1.</p> <p>0 LLWU_P1 input was not a wakeup source 1 LLWU_P1 input was a wakeup source</p>
0 WUF0	<p>Wakeup Flag For LLWU_P0</p> <p>Indicates that an enabled external wakeup pin was a source of exiting a low-leakage power mode. To clear the flag write a one to WUF0.</p> <p>0 LLWU_P0 input was not a wakeup source 1 LLWU_P0 input was a wakeup source</p>

15.3.7 LLWU Flag 2 register (LLWU_F2)

LLWU_F2 contains the wakeup flags indicating which wakeup source caused the MCU to exit LLS or VLLS mode. For LLS, this is the source causing the CPU interrupt flow. For VLLS, this is the source causing the MCU reset flow.

The external wakeup flags are read-only and clearing a flag is accomplished by a write of a 1 to the corresponding WUFx bit. The wakeup flag (WUFx), if set, will remain set if the associated WUPE_x bit is cleared.

NOTE

This register is reset on Chip Reset not VLLS and by reset types that trigger Chip Reset not VLLS. It is unaffected by reset types that do not trigger Chip Reset not VLLS. See the [Introduction](#) details for more information.

Address: 4007_C000h base + 6h offset = 4007_C006h

Bit	7	6	5	4	3	2	1	0
Read	WUF15	WUF14	WUF13	WUF12	WUF11	WUF10	WUF9	WUF8
Write	w1c	w1c	w1c	w1c	w1c	w1c	w1c	w1c
Reset	0	0	0	0	0	0	0	0

LLWU_F2 field descriptions

Field	Description
7 WUF15	<p>Wakeup Flag For LLWU_P15</p> <p>Indicates that an enabled external wakeup pin was a source of exiting a low-leakage power mode. To clear the flag write a one to WUF15.</p> <p>0 LLWU_P15 input was not a wakeup source 1 LLWU_P15 input was a wakeup source</p>
6 WUF14	<p>Wakeup Flag For LLWU_P14</p> <p>Indicates that an enabled external wakeup pin was a source of exiting a low-leakage power mode. To clear the flag write a one to WUF14.</p> <p>0 LLWU_P14 input was not a wakeup source 1 LLWU_P14 input was a wakeup source</p>
5 WUF13	<p>Wakeup Flag For LLWU_P13</p> <p>Indicates that an enabled external wakeup pin was a source of exiting a low-leakage power mode. To clear the flag write a one to WUF13.</p> <p>0 LLWU_P13 input was not a wakeup source 1 LLWU_P13 input was a wakeup source</p>
4 WUF12	<p>Wakeup Flag For LLWU_P12</p> <p>Indicates that an enabled external wakeup pin was a source of exiting a low-leakage power mode. To clear the flag write a one to WUF12.</p> <p>0 LLWU_P12 input was not a wakeup source 1 LLWU_P12 input was a wakeup source</p>
3 WUF11	<p>Wakeup Flag For LLWU_P11</p> <p>Indicates that an enabled external wakeup pin was a source of exiting a low-leakage power mode. To clear the flag write a one to WUF11.</p>

Table continues on the next page...

LLWU_F2 field descriptions (continued)

Field	Description
	0 LLWU_P11 input was not a wakeup source 1 LLWU_P11 input was a wakeup source
2 WUF10	Wakeup Flag For LLWU_P10 Indicates that an enabled external wakeup pin was a source of exiting a low-leakage power mode. To clear the flag write a one to WUF10. 0 LLWU_P10 input was not a wakeup source 1 LLWU_P10 input was a wakeup source
1 WUF9	Wakeup Flag For LLWU_P9 Indicates that an enabled external wakeup pin was a source of exiting a low-leakage power mode. To clear the flag write a one to WUF9. 0 LLWU_P9 input was not a wakeup source 1 LLWU_P9 input was a wakeup source
0 WUF8	Wakeup Flag For LLWU_P8 Indicates that an enabled external wakeup pin was a source of exiting a low-leakage power mode. To clear the flag write a one to WUF8. 0 LLWU_P8 input was not a wakeup source 1 LLWU_P8 input was a wakeup source

15.3.8 LLWU Flag 3 register (LLWU_F3)

LLWU_F3 contains the wakeup flags indicating which internal wakeup source caused the MCU to exit LLS or VLLS mode. For LLS, this is the source causing the CPU interrupt flow. For VLLS, this is the source causing the MCU reset flow.

For internal peripherals that are capable of running in a low-leakage power mode, such as a real time clock module or CMP module, the flag from the associated peripheral is accessible as the MWUFx bit. The flag will need to be cleared in the peripheral instead of writing a 1 to the MWUFx bit.

NOTE

This register is reset on Chip Reset not VLLS and by reset types that trigger Chip Reset not VLLS. It is unaffected by reset types that do not trigger Chip Reset not VLLS. See the [Introduction](#) details for more information.

Address: 4007_C000h base + 7h offset = 4007_C007h

Bit	7	6	5	4	3	2	1	0
Read	MWUF7	MWUF6	MWUF5	MWUF4	MWUF3	MWUF2	MWUF1	MWUF0
Write								
Reset	0	0	0	0	0	0	0	0

LLWU_F3 field descriptions

Field	Description
7 MWUF7	<p>Wakeup flag For module 7</p> <p>Indicates that an enabled internal peripheral was a source of exiting a low-leakage power mode. To clear the flag, follow the internal peripheral flag clearing mechanism.</p> <p>0 Module 7 input was not a wakeup source 1 Module 7 input was a wakeup source</p>
6 MWUF6	<p>Wakeup flag For module 6</p> <p>Indicates that an enabled internal peripheral was a source of exiting a low-leakage power mode. To clear the flag, follow the internal peripheral flag clearing mechanism.</p> <p>0 Module 6 input was not a wakeup source 1 Module 6 input was a wakeup source</p>
5 MWUF5	<p>Wakeup flag For module 5</p> <p>Indicates that an enabled internal peripheral was a source of exiting a low-leakage power mode. To clear the flag, follow the internal peripheral flag clearing mechanism.</p> <p>0 Module 5 input was not a wakeup source 1 Module 5 input was a wakeup source</p>
4 MWUF4	<p>Wakeup flag For module 4</p> <p>Indicates that an enabled internal peripheral was a source of exiting a low-leakage power mode. To clear the flag, follow the internal peripheral flag clearing mechanism.</p> <p>0 Module 4 input was not a wakeup source 1 Module 4 input was a wakeup source</p>
3 MWUF3	<p>Wakeup flag For module 3</p> <p>Indicates that an enabled internal peripheral was a source of exiting a low-leakage power mode. To clear the flag, follow the internal peripheral flag clearing mechanism.</p> <p>0 Module 3 input was not a wakeup source 1 Module 3 input was a wakeup source</p>
2 MWUF2	<p>Wakeup flag For module 2</p> <p>Indicates that an enabled internal peripheral was a source of exiting a low-leakage power mode. To clear the flag, follow the internal peripheral flag clearing mechanism.</p> <p>0 Module 2 input was not a wakeup source 1 Module 2 input was a wakeup source</p>
1 MWUF1	<p>Wakeup flag For module 1</p>

Table continues on the next page...

LLWU_F3 field descriptions (continued)

Field	Description
	Indicates that an enabled internal peripheral was a source of exiting a low-leakage power mode. To clear the flag, follow the internal peripheral flag clearing mechanism. 0 Module 1 input was not a wakeup source 1 Module 1 input was a wakeup source
0 MWUF0	Wakeup flag For module 0 Indicates that an enabled internal peripheral was a source of exiting a low-leakage power mode. To clear the flag, follow the internal peripheral flag clearing mechanism. 0 Module 0 input was not a wakeup source 1 Module 0 input was a wakeup source

15.3.9 LLWU Pin Filter 1 register (LLWU_FILT1)

LLWU_FILT1 is a control and status register that is used to enable/disable the digital filter 1 features for an external pin.

NOTE

This register is reset on Chip Reset not VLLS and by reset types that trigger Chip Reset not VLLS. It is unaffected by reset types that do not trigger Chip Reset not VLLS. See the [Introduction](#) details for more information.

Address: 4007_C000h base + 8h offset = 4007_C008h

Bit	7	6	5	4	3	2	1	0
Read	FILTF	FILTE			0	FILTSEL		
Write	w1c							
Reset	0	0	0	0	0	0	0	0

LLWU_FILT1 field descriptions

Field	Description
7 FILTF	Filter Detect Flag Indicates that the filtered external wakeup pin, selected by FILTSEL, was a source of exiting a low-leakage power mode. To clear the flag write a one to FILTF. 0 Pin Filter 1 was not a wakeup source 1 Pin Filter 1 was a wakeup source
6–5 FILTE	Digital Filter On External Pin Controls the digital filter options for the external pin detect. 00 Filter disabled

Table continues on the next page...

LLWU_FILT1 field descriptions (continued)

Field	Description
	01 Filter posedge detect enabled 10 Filter negedge detect enabled 11 Filter any edge detect enabled
4 Reserved	This field is reserved. This read-only field is reserved and always has the value 0.
3–0 FILTSEL	Filter Pin Select Selects 1 out of the 16 wakeup pins to be muxed into the filter. 0000 Select LLWU_P0 for filter 1111 Select LLWU_P15 for filter

15.3.10 LLWU Pin Filter 2 register (LLWU_FILT2)

LLWU_FILT2 is a control and status register that is used to enable/disable the digital filter 2 features for an external pin.

NOTE

This register is reset on Chip Reset not VLLS and by reset types that trigger Chip Reset not VLLS. It is unaffected by reset types that do not trigger Chip Reset not VLLS. See the [Introduction](#) details for more information.

Address: 4007_C000h base + 9h offset = 4007_C009h

Bit	7	6	5	4	3	2	1	0
Read	FILTF	FILTE			0	FILTSEL		
Write	w1c							
Reset	0	0	0	0	0	0	0	0

LLWU_FILT2 field descriptions

Field	Description
7 FILTF	Filter Detect Flag Indicates that the filtered external wakeup pin, selected by FILTSEL, was a source of exiting a low-leakage power mode. To clear the flag write a one to FILTF. 0 Pin Filter 2 was not a wakeup source 1 Pin Filter 2 was a wakeup source
6–5 FILTE	Digital Filter On External Pin Controls the digital filter options for the external pin detect.

Table continues on the next page...

LLWU_FILT2 field descriptions (continued)

Field	Description
	00 Filter disabled 01 Filter posedge detect enabled 10 Filter negedge detect enabled 11 Filter any edge detect enabled
4 Reserved	This field is reserved. This read-only field is reserved and always has the value 0.
3–0 FILTSEL	Filter Pin Select Selects 1 out of the 16 wakeup pins to be muxed into the filter. 0000 Select LLWU_P0 for filter 1111 Select LLWU_P15 for filter

15.4 Functional description

This on-chip peripheral module is called a low-leakage wakeup unit (LLWU) module because it allows internal peripherals and external input pins as a source of wakeup from low-leakage modes.

It is operational only in LLS and VLLSx modes.

The LLWU module contains pin enables for each external pin and internal module. For each external pin, the user can disable or select the edge type for the wakeup. Type options are:

- Falling-edge
- Rising-edge
- Either-edge

When an external pin is enabled as a wakeup source, the pin must be configured as an input pin.

The LLWU implements optional 3-cycle glitch filters, based on the LPO clock. A detected external pin is required to remain asserted until the enabled glitch filter times out. Additional latency of up to 2 cycles is due to synchronization, which results in a total of up to 5 cycles of delay before the detect circuit alerts the system to the wakeup or reset event when the filter function is enabled. Two wakeup detect filters are available for selected external pins. Glitch filtering is not provided on the internal modules.

For internal module wakeup operation, the WUMEx bit enables the associated module as a wakeup source.

15.4.1 LLS mode

Wakeup events triggered from either an external pin input or an internal module input result in a CPU interrupt flow to begin user code execution.

15.4.2 VLLS modes

In the case of a wakeup due to external pin or internal module wakeup, recovery is always via a reset flow and the RCM_SRS[WAKEUP] is set indicating the low-leakage mode was active. State retention data is lost and I/O will be restored after PMC_REGSC[ACKISO] has been written.

15.4.3 Initialization

For an enabled peripheral wakeup input, the peripheral flag must be cleared by software before entering LLS or VLLSx mode to avoid an immediate exit from the mode.

Flags associated with external input pins, filtered and unfiltered, must also be cleared by software prior to entry to LLS or VLLSx mode.

After enabling an external pin filter or changing the source pin, wait at least 5 LPO clock cycles before entering LLS or VLLSx mode to allow the filter to initialize.

NOTE

After recovering from a VLLS mode, user must restore chip configuration before clearing ACKISO. In particular, pin configuration for enabled LLWU wakeup pins must be restored to avoid any LLWU flag from being falsely set when ACKISO is cleared.

The signal selected as a wakeup source pin must be a digital pin, as selected in the pin mux control.

Chapter 16

Reset Control Module (RCM)

16.1 Introduction

Information found here describes the registers of the Reset Control Module (RCM). The RCM implements many of the reset functions for the chip. See the chip's reset chapter for more information.

16.2 Reset memory map and register descriptions

The RCM Memory Map/Register Definition can be found here.

The Reset Control Module (RCM) registers provide reset status information and reset filter control.

NOTE

The RCM registers can be written only in supervisor mode. Write accesses in user mode are blocked and will result in a bus error.

RCM memory map

Absolute address (hex)	Register name	Width (in bits)	Access	Reset value	Section/page
4007_F000	System Reset Status Register 0 (RCM_SRS0)	8	R	82h	16.2.1/268
4007_F001	System Reset Status Register 1 (RCM_SRS1)	8	R	00h	16.2.2/269
4007_F004	Reset Pin Filter Control register (RCM_RPFC)	8	R/W	00h	16.2.3/270
4007_F005	Reset Pin Filter Width register (RCM_RPFW)	8	R/W	00h	16.2.4/271

16.2.1 System Reset Status Register 0 (RCM_SRS0)

This register includes read-only status flags to indicate the source of the most recent reset. The reset state of these bits depends on what caused the MCU to reset.

NOTE

The reset value of this register depends on the reset source:

- POR (including LVD) — 0x82
- LVD (without POR) — 0x02
- VLLS mode wakeup due to $\overline{\text{RESET}}$ pin assertion — 0x41
- VLLS mode wakeup due to other wakeup sources — 0x01
- Other reset — a bit is set if its corresponding reset source caused the reset

Address: 4007_F000h base + 0h offset = 4007_F000h

Bit	7	6	5	4	3	2	1	0
Read	POR	PIN	WDOG	0	LOL	LOC	LVD	WAKEUP
Write								
Reset	1	0	0	0	0	0	1	0

RCM_SRS0 field descriptions

Field	Description
7 POR	<p>Power-On Reset</p> <p>Indicates a reset has been caused by the power-on detection logic. Because the internal supply voltage was ramping up at the time, the low-voltage reset (LVD) status bit is also set to indicate that the reset occurred while the internal supply was below the LVD threshold.</p> <p>0 Reset not caused by POR 1 Reset caused by POR</p>
6 PIN	<p>External Reset Pin</p> <p>Indicates a reset has been caused by an active-low level on the external $\overline{\text{RESET}}$ pin.</p> <p>0 Reset not caused by external reset pin 1 Reset caused by external reset pin</p>
5 WDOG	<p>Watchdog</p> <p>Indicates a reset has been caused by the watchdog timer timing out. This reset source can be blocked by disabling the watchdog.</p> <p>0 Reset not caused by watchdog timeout 1 Reset caused by watchdog timeout</p>
4 Reserved	<p>This field is reserved. This read-only field is reserved and always has the value 0.</p>

Table continues on the next page...

RCM_SRS0 field descriptions (continued)

Field	Description
3 LOL	<p>Loss-of-Lock Reset</p> <p>Indicates a reset has been caused by a loss of lock in the MCG PLL. See the MCG description for information on the loss-of-clock event.</p> <p>0 Reset not caused by a loss of lock in the PLL 1 Reset caused by a loss of lock in the PLL</p>
2 LOC	<p>Loss-of-Clock Reset</p> <p>Indicates a reset has been caused by a loss of external clock. The MCG clock monitor must be enabled for a loss of clock to be detected. Refer to the detailed MCG description for information on enabling the clock monitor.</p> <p>0 Reset not caused by a loss of external clock. 1 Reset caused by a loss of external clock.</p>
1 LVD	<p>Low-Voltage Detect Reset</p> <p>If the LVDRE bit is set and the supply drops below the LVD trip voltage, an LVD reset occurs. This bit is also set by POR.</p> <p>0 Reset not caused by LVD trip or POR 1 Reset caused by LVD trip or POR</p>
0 WAKEUP	<p>Low Leakage Wakeup Reset</p> <p>Indicates a reset has been caused by an enabled LLWU module wakeup source while the chip was in a low leakage mode. In LLS mode, the $\overline{\text{RESET}}$ pin is the only wakeup source that can cause this reset. Any enabled wakeup source in a VLLSx mode causes a reset. This bit is cleared by any reset except WAKEUP.</p> <p>0 Reset not caused by LLWU module wakeup source 1 Reset caused by LLWU module wakeup source</p>

16.2.2 System Reset Status Register 1 (RCM_SRS1)

This register includes read-only status flags to indicate the source of the most recent reset. The reset state of these bits depends on what caused the MCU to reset.

NOTE

The reset value of this register depends on the reset source:

- POR (including LVD) — 0x00
- LVD (without POR) — 0x00
- VLLS mode wakeup — 0x00
- Other reset — a bit is set if its corresponding reset source caused the reset

Reset memory map and register descriptions

Address: 4007_F000h base + 1h offset = 4007_F001h

Bit	7	6	5	4	3	2	1	0
Read	0	0	SACKERR	0	MDM_AP	SW	LOCKUP	0
Write								
Reset	0	0	0	0	0	0	0	0

RCM_SRS1 field descriptions

Field	Description
7 Reserved	This field is reserved. This read-only field is reserved and always has the value 0.
6 Reserved	This field is reserved. This read-only field is reserved and always has the value 0.
5 SACKERR	Stop Mode Acknowledge Error Reset Indicates that after an attempt to enter Stop mode, a reset has been caused by a failure of one or more peripherals to acknowledge within approximately one second to enter stop mode. 0 Reset not caused by peripheral failure to acknowledge attempt to enter stop mode 1 Reset caused by peripheral failure to acknowledge attempt to enter stop mode
4 Reserved	This field is reserved. This read-only field is reserved and always has the value 0.
3 MDM_AP	MDM-AP System Reset Request Indicates a reset has been caused by the host debugger system setting of the System Reset Request bit in the MDM-AP Control Register. 0 Reset not caused by host debugger system setting of the System Reset Request bit 1 Reset caused by host debugger system setting of the System Reset Request bit
2 SW	Software Indicates a reset has been caused by software setting of SYSRESETREQ bit in Application Interrupt and Reset Control Register in the ARM core. 0 Reset not caused by software setting of SYSRESETREQ bit 1 Reset caused by software setting of SYSRESETREQ bit
1 LOCKUP	Core Lockup Indicates a reset has been caused by the ARM core indication of a LOCKUP event. 0 Reset not caused by core LOCKUP event 1 Reset caused by core LOCKUP event
0 Reserved	This field is reserved. This read-only field is reserved and always has the value 0.

16.2.3 Reset Pin Filter Control register (RCM_RPFC)

NOTE

The reset values of bits 2-0 are for Chip POR only. They are unaffected by other reset types.

NOTE

The bus clock filter is reset when disabled or when entering stop mode. The LPO filter is reset when disabled .

Address: 4007_F000h base + 4h offset = 4007_F004h

Bit	7	6	5	4	3	2	1	0
Read	0					RSTFLTSS	RSTFLTSRW	
Write								
Reset	0	0	0	0	0	0	0	0

RCM_RPFC field descriptions

Field	Description
7–3 Reserved	This field is reserved. This read-only field is reserved and always has the value 0.
2 RSTFLTSS	Reset Pin Filter Select in Stop Mode Selects how the reset pin filter is enabled in Stop and VLPS modes , and also during LLS and VLLS modes. On exit from VLLS mode, this bit should be reconfigured before clearing ACKISO in the PMC. 0 All filtering disabled 1 LPO clock filter enabled
1–0 RSTFLTSRW	Reset Pin Filter Select in Run and Wait Modes Selects how the reset pin filter is enabled in run and wait modes. 00 All filtering disabled 01 Bus clock filter enabled for normal operation 10 LPO clock filter enabled for normal operation 11 Reserved

16.2.4 Reset Pin Filter Width register (RCM_RPFW)**NOTE**

The reset values of the bits in the RSTFLTSEL field are for Chip POR only. They are unaffected by other reset types.

Address: 4007_F000h base + 5h offset = 4007_F005h

Bit	7	6	5	4	3	2	1	0
Read	0				RSTFLTSEL			
Write								
Reset	0	0	0	0	0	0	0	0

RCM_RPFW field descriptions

Field	Description
7-5 Reserved	This field is reserved. This read-only field is reserved and always has the value 0.
4-0 RSTFLTSEL	<p>Reset Pin Filter Bus Clock Select</p> <p>Selects the reset pin bus clock filter width.</p> <p>00000 Bus clock filter count is 1 00001 Bus clock filter count is 2 00010 Bus clock filter count is 3 00011 Bus clock filter count is 4 00100 Bus clock filter count is 5 00101 Bus clock filter count is 6 00110 Bus clock filter count is 7 00111 Bus clock filter count is 8 01000 Bus clock filter count is 9 01001 Bus clock filter count is 10 01010 Bus clock filter count is 11 01011 Bus clock filter count is 12 01100 Bus clock filter count is 13 01101 Bus clock filter count is 14 01110 Bus clock filter count is 15 01111 Bus clock filter count is 16 10000 Bus clock filter count is 17 10001 Bus clock filter count is 18 10010 Bus clock filter count is 19 10011 Bus clock filter count is 20 10100 Bus clock filter count is 21 10101 Bus clock filter count is 22 10110 Bus clock filter count is 23 10111 Bus clock filter count is 24 11000 Bus clock filter count is 25 11001 Bus clock filter count is 26 11010 Bus clock filter count is 27 11011 Bus clock filter count is 28 11100 Bus clock filter count is 29 11101 Bus clock filter count is 30 11110 Bus clock filter count is 31 11111 Bus clock filter count is 32</p>

Chapter 17

Bit Manipulation Engine (BME)

17.1 Introduction

The Bit Manipulation Engine (BME) provides hardware support for atomic read-modify-write memory operations to the peripheral address space in Cortex-M0+ based microcontrollers.

This architectural capability is also known as "decorated storage" as it defines a mechanism for providing additional semantics for load and store operations to memory-mapped peripherals beyond just the reading and writing of data values to the addressed memory locations. In the BME definition, the "decoration", that is, the additional semantic information, is encoded into the peripheral address used to reference the memory.

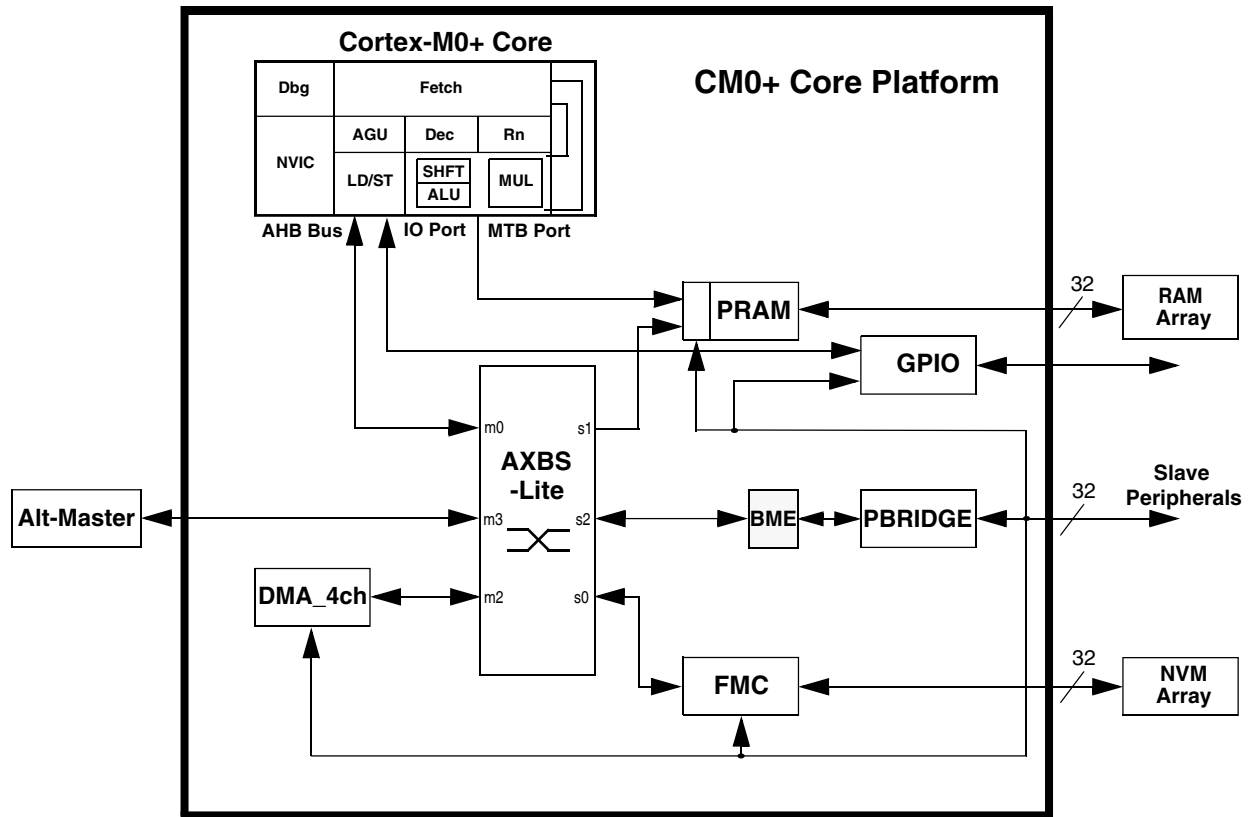
By combining the basic load and store instructions of the Cortex-M instruction set architecture (v6M, v7M) with the concept of decorated storage provided by the BME, the resulting implementation provides a robust and efficient read-modify-write capability to this class of ultra low-end microcontrollers. The resulting architectural capability defined by this core platform function is targeted at the manipulation of n-bit fields in peripheral registers and is consistent with I/O hardware addressing in the Embedded C standard. For most BME commands, a single core read or write bus cycle is converted into an atomic read-modify-write, that is, an indivisible "read followed by a write" bus sequence.

BME decorated references are only available on system bus transactions generated by the processor core and targeted at the standard 512 KB peripheral address space based at 0x4000_0000¹. The decoration semantic is embedded into address bits[28:19], creating a 448 MB space at addresses 0x4400_0000 - 0x5FFF_FFFF for AIPS; these bits are stripped out of the actual address sent to the peripheral bus controller and used by the BME to define and control its operation.

1. To be perfectly accurate, the peripheral address space occupies a 516 KB region: 512 KB based at 0x4000_0000 plus a 4 KB space based at 0x400F_F000 for GPIO accesses. This organization provides compatibility with the Kinetis K Family. Attempted accesses to the memory space located between 0x4008_0000 - 0x400E_FFFF are error terminated due to an illegal address.

17.1.1 Overview

The following figure is a generic block diagram of the processor core and platform for this class of ultra low-end microcontrollers.



Note: BME can be accessed only by the core.

Figure 17-1. Cortex-M0+ core platform block diagram

As shown in the block diagram, the BME module interfaces to a crossbar switch AHB slave port as its primary input and sources an AHB bus output to the Peripheral Bridge (PBRIDGE) controller. The BME hardware microarchitecture is a 2-stage pipeline design matching the protocol of the AMBA-AHB system bus interfaces. The PBRIDGE module converts the AHB system bus protocol into the IPS/APB protocol used by the attached slave peripherals.

17.1.2 Features

The key features of the BME include:

- Lightweight implementation of decorated storage for peripheral address space
- Additional access semantics encoded into the reference address

- Resides between a crossbar switch slave port and a peripheral bridge bus controller
- Two-stage pipeline design matching the AHB system bus protocol
- Combinationally passes non-decorated accesses to peripheral bridge bus controller
- Conversion of decorated loads and stores from processor core into atomic read-modify-writes
- Decorated loads support unsigned bit field extracts, load-and-`{set,clear}` 1-bit operations
- Decorated stores support bit field inserts, logical AND, OR, and XOR operations
- Support for byte, halfword and word-sized decorated operations
- Supports minimum signal toggling on AHB output bus to reduce power dissipation

17.1.3 Modes of operation

The BME module does not support any special modes of operation. As a memory-mapped device located on a crossbar slave AHB system bus port, BME responds strictly on the basis of memory addresses for accesses to the connected peripheral bridge bus controller.

All functionality associated with the BME module resides in the core platform's clock domain; this includes its connections with the crossbar slave port and the PBRIDGE bus controller.

17.2 Memory map and register definition

The BME module provides a memory-mapped capability and does not include any programming model registers.

The exact set of functions supported by the BME are detailed in the [Functional description](#).

The peripheral address space occupies a 516 KB region: 512 KB based at 0x4000_0000 plus a 4 KB space based at 0x400F_F000 for GPIO accesses; the decorated address space is mapped to the 448 MB region located at 0x4400_0000–0x5FFF_FFFF.

17.3 Functional description

Information found here details the specific functions supported by the BME.

Recall the combination of the basic load and store instructions of the Cortex-M instruction set architecture (v6M, v7M) plus the concept of decorated storage provided by the BME, the resulting implementation provides a robust and efficient read-modify-write capability to this class of ultra low-end microcontrollers. The resulting architectural capability defined by this core platform function is targeted at the manipulation of n-bit fields in peripheral registers and is consistent with I/O hardware addressing in the Embedded C standard. For most BME commands, a single core read or write bus cycle is converted into an atomic read-modify-write, that is, an indivisible "read followed by a write" bus sequence.

Consider decorated store operations first, then decorated loads.

17.3.1 BME decorated stores

The functions supported by the BME's decorated stores include three logical operators (AND, OR, XOR) plus a bit field insert.

For all these operations, BME converts a single decorated AHB store transaction into a 2-cycle atomic read-modify-write sequence, where the combined read-modify operation is performed in the first AHB data phase, and then the write is performed in the second AHB data phase.

A generic timing diagram of a decorated store showing a bit field insert operation is shown as follows:

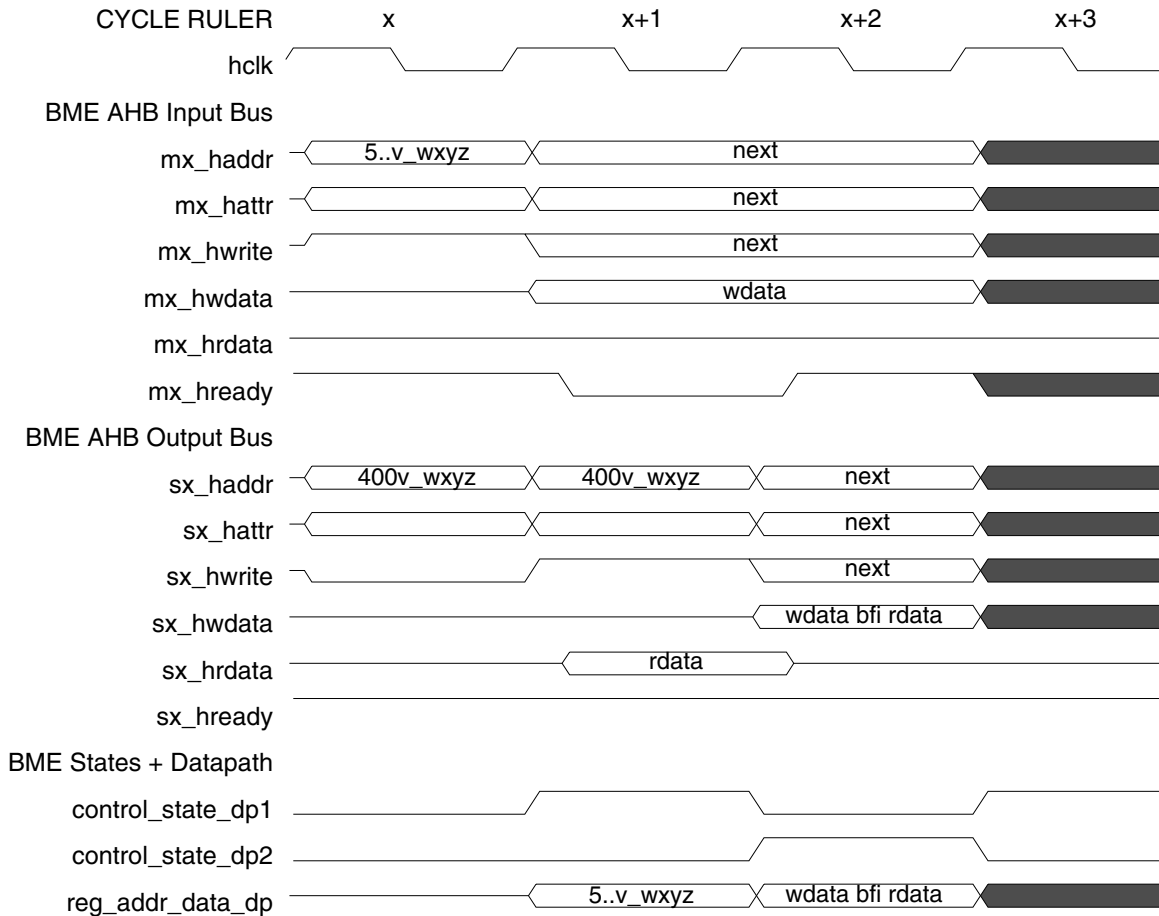


Figure 17-2. Decorated store: bit field insert timing diagram

All the decorated store operations follow the same execution template shown in [Figure 17-2](#), a two-cycle read-modify-write operation:

1. Cycle x, 1st AHB address phase: Write from input bus (mx_h<signal>) is translated into a read operation on the output bus (sx_h<signal>) using the actual memory address (with the decoration removed) and then captured in a register (reg_addr_data_dp).
2. Cycle x+1, 2nd AHB address phase: Write access with the registered (but actual) memory address is output (sx_h<signal>)
3. Cycle x+1, 1st AHB data phase: Memory read data (sx_hrdata) is modified using the input bus write data (mx_hwdata) and the function defined by the decoration and captured in a data register. (reg_addr_data_dp); the input bus cycle is stalled (mx_hready = 0).
4. Cycle x+2, 2nd AHB data phase: Registered write data is sourced onto the output write data bus (sx_hwdata).

NOTE

Any wait states inserted by the peripheral slave device (sx_hready = 0) are simply passed through the BME back to the master input bus, stalling the AHB transaction cycle for cycle.

17.3.1.1 Decorated store logical AND (AND)

This command performs an atomic read-modify-write of the referenced memory location.

1. First, the location is read;
2. It is then modified by performing a logical AND operation using the write data operand sourced for the system bus cycle
3. Finally, the result of the AND operation is written back into the referenced memory location.

The data size is specified by the write operation and can be byte (8-bit), halfword (16-bit) or word (32-bit). The core performs the required write data lane replication on byte and halfword transfers.

	31	30	29	28	27	26	25	24	23	22	21	20	19	18	17	16	15	14	13	12	11	10	9	8	7	6	5	4	3	2	1	0
ioandb	0	1	0	0	0	1	-	-	-	-	-	-	mem_addr																			
ioandh	0	1	0	0	0	1	-	-	-	-	-	-	mem_addr														0					
ioandw	0	1	0	0	0	1	-	-	-	-	-	-	mem_addr														0	0				

Figure 17-3. Decorated store address: logical AND

See [Figure 17-3](#) where `addr[28:26] = 001` specifies the AND operation, and `mem_addr[19:0]` specifies the address offset into the peripheral space based at `0x4000_0000`. The "-" indicates an address bit "don't care".

The decorated AND write operation is defined in the following pseudo-code as:

```

ioand<sz>(accessAddress, wdata)           // decorated store AND
tmp      = mem[accessAddress & 0xE00FFFFF, size] // memory read
tmp      = tmp & wdata                       // modify
mem[accessAddress & 0xE00FFFFF, size] = tmp  // memory write
    
```

where the operand size `<sz>` is defined as `b`(yte, 8-bit), `h`(alfword, 16-bit) and `w`(ord, 32-bit). This notation is used throughout the document.

In the cycle definition tables, the notations `AHB_ap` and `AHB_dp` refer to the address and data phases of the BME AHB transaction. The cycle-by-cycle BME operations are detailed in the following table.

Table 17-1. Cycle definitions of decorated store: logical AND

Pipeline Stage	Cycle		
	x	x+1	x+2
BME AHB_ap	Forward addr to memory; Decode decoration; Convert master_wt to slave_rd; Capture address, attributes	Recirculate captured addr + attr to memory as slave_wt	<next>
BME AHB_dp	<previous>	Perform memory read; Form (rdata & wdata) and capture destination data in register	Perform write sending registered data to memory

17.3.1.2 Decorated store logical OR (OR)

This command performs an atomic read-modify-write of the referenced memory location.

1. First, the location is read.
2. It is then modified by performing a logical OR operation using the write data operand sourced for the system bus cycle.
3. Finally, the result of the OR operation is written back into the referenced memory location.

The data size is specified by the write operation and can be byte (8-bit), halfword (16-bit) or word (32-bit). The core performs the required write data lane replication on byte and halfword transfers.

	31	30	29	28	27	26	25	24	23	22	21	20	19	18	17	16	15	14	13	12	11	10	9	8	7	6	5	4	3	2	1	0
ioorb	0	1	0	0	1	0	-	-	-	-	-	-	mem_addr																			
ioorh	0	1	0	0	1	0	-	-	-	-	-	-	mem_addr														0					
ioorw	0	1	0	0	1	0	-	-	-	-	-	-	mem_addr														0	0				

Figure 17-4. Decorated address store: logical OR

See [Figure 17-4](#), where `addr[28:26] = 010` specifies the OR operation, and `mem_addr[19:0]` specifies the address offset into the peripheral space based at `0x4000_0000`. The "-" indicates an address bit "don't care".

The decorated OR write operation is defined in the following pseudo-code as:

```

ioor<sz>(accessAddress, wdata)           // decorated store OR

tmp   = mem[accessAddress & 0xE0FFFFFF, size] // memory read
tmp   = tmp | wdata                          // modify
mem[accessAddress & 0xE0FFFFFF, size] = tmp  // memory write

```

The cycle-by-cycle BME operations are detailed in the following table.

Table 17-2. Cycle definitions of decorated store: logical OR

Pipeline stage	Cycle		
	x	x+1	x+2
BME AHB_ap	Forward addr to memory; Decode decoration; Convert master_wt to slave_rd; Capture address, attributes	Recirculate captured addr + attr to memory as slave_wt	<next>
BME AHB_dp	<previous>	Perform memory read; Form (rdata wdata) and capture destination data in register	Perform write sending registered data to memory

17.3.1.3 Decorated store logical XOR (XOR)

This command performs an atomic read-modify-write of the referenced memory location.

1. First, the location is read.
2. It is then modified by performing a logical XOR (exclusive-OR) operation using the write data operand sourced for the system bus cycle.
3. Finally, the result of the XOR operation is written back into the referenced memory location.

The data size is specified by the write operation and can be byte (8-bit), halfword (16-bit) or word (32-bit). The core performs the required write data lane replication on byte and halfword transfers.

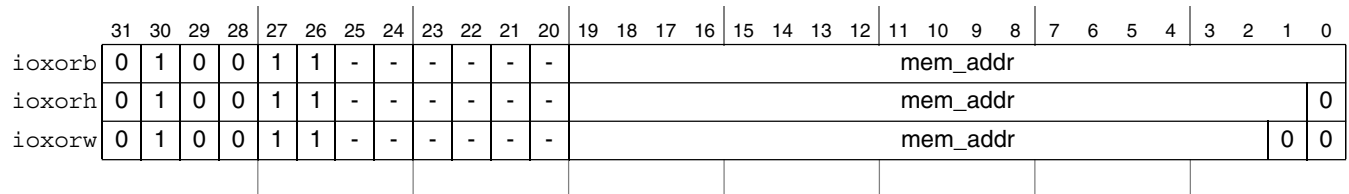


Figure 17-5. Decorated address store: logical XOR

See [Figure 17-5](#), where `addr[28:26] = 011` specifies the XOR operation, and `mem_addr[19:0]` specifies the address offset into the peripheral space based at `0x4000_0000`. The "-" indicates an address bit "don't care".

The decorated XOR write operation is defined in the following pseudo-code as:

```
ioxor<sz>(accessAddress, wdata)           // decorated store XOR

tmp    = mem[accessAddress & 0xE00FFFFFF, size] // memory read
tmp    = tmp ^ wdata                             // modify
mem[accessAddress & 0xE00FFFFFF, size] = tmp    // memory write
```

The cycle-by-cycle BME operations are detailed in the following table.

Table 17-3. Cycle definitions of decorated store: logical XOR

Pipeline Stage	Cycle		
	x	x+1	x+2
BME AHB_ap	Forward addr to memory; Decode decoration; Convert master_wt to slave_rd; Capture address, attributes	Recirculate captured addr + attr to memory as slave_wt	<next>
BME AHB_dp	<previous>	Perform memory read; Form (rdata ^ wdata) and capture destination data in register	Perform write sending registered data to memory

17.3.1.4 Decorated store bit field insert (BFI)

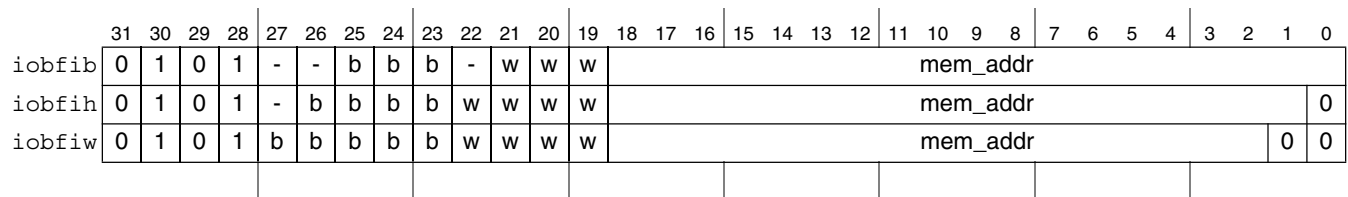
This command inserts a bit field contained in the write data operand, defined by LSB position (b) and the bit field width (w+1), into the memory "container" defined by the access size associated with the store instruction using an atomic read-modify-write sequence.

The data size is specified by the write operation and can be byte (8-bit), halfword (16-bit) or word (32-bit).

NOTE

For the word sized operation, the maximum bit field width is 16 bits. The core performs the required write data lane replication on byte and halfword transfers.

The BFI operation can be used to insert a single bit into a peripheral. For this case, the w field is simply set to 0, indicating a bit field width of 1.

**Figure 17-6. Decorated address store: bit field insert**

where $\text{addr}[28] = 1$ signals a BFI operation, $\text{addr}[27:23]$ is "b", the LSB identifier, $\text{addr}[22:19]$ is "w", the bit field width minus 1 identifier, and $\text{addr}[18:0]$ specifies the address offset into the peripheral space based at 0x4000_0000. The "-" indicates an address bit "don't care". Note, unlike the other decorated store operations, BFI uses $\text{addr}[19]$ as the least significant bit in the "w" specifier and not as an address bit.

The decorated BFI write operation is defined in the following pseudo-code as:

Functional description

```

iobfi<sz>(accessAddress, wdata)           // decorated bit field insert

tmp   = mem[accessAddress & 0xE007FFFF, size] // memory read
mask  = ((1 << (w+1)) - 1) << b             // generate bit mask
tmp   = tmp & ~mask                          // modify
      | wdata & mask
mem[accessAddress & 0xE007FFFF, size] = tmp // memory write

```

The write data operand (wdata) associated with the store instruction contains the bit field to be inserted. It must be properly aligned within a right-aligned container, that is, within the lower 8 bits for a byte operation, the lower 16 bits for a halfword, or the entire 32 bits for a word operation.

To illustrate, consider the following example of the insertion of the 3-bit field "xyz" into an 8-bit memory container, initially set to "abcd_efgh". For all cases, w is 2, signaling a bit field width of 3.

```

if b = 0 and the decorated store (strb) Rt register[7:0] = ----_xyz,
then destination is "abcd_exyz"
if b = 1 and the decorated store (strb) Rt register[7:0] = ----xyz-,
then destination is "abcd_xyzh"
if b = 2 and the decorated store (strb) Rt register[7:0] = ---xyz--,
then destination is "abcx_yzgh"
if b = 3 and the decorated store (strb) Rt register[7:0] = --xyzz---,
then destination is "abxy_zfgh"
if b = 4 and the decorated store (strb) Rt register[7:0] = -xyzz----,
then destination is "axyz_efgh"
if b = 5 and the decorated store (strb) Rt register[7:0] = xyzz----,
then destination is "xyzd_efgh"
if b = 6 and the decorated store (strb) Rt register[7:0] = yzz-----,
then destination is "yzcd_efgh"
if b = 7 and the decorated store (strb) Rt register[7:0] = zzz-----,
then destination is "zbcd_efgh"

```

Note from the example, when the starting bit position plus the field width exceeds the container size, only part of the source bit field is inserted into the destination memory location. Stated differently, if $(b + w + 1) > \text{container_width}$, only the low-order "container_width - b" bits are actually inserted.

The cycle-by-cycle BME operations are detailed in the following table.

Table 17-4. Cycle definitions of decorated store: bit field insert

Pipeline stage	Cycle		
	x	x+1	x+2
BME AHB_ap	Forward addr to memory; Decode decoration; Convert master_wt to slave_rd; Capture address, attributes	Recirculate captured addr + attr to memory as slave_wt	<next>
BME AHB_dp	<previous>	Perform memory read; Form bit mask; Form bitwise $((\text{mask}) ? \text{wdata} : \text{rdata})$ and capture destination data in register	Perform write sending registered data to memory

17.3.2 BME decorated loads

The functions supported by the BME's decorated loads include two single-bit load-and-
{set, clear} operators plus unsigned bit field extracts.

For the two load-and-
{set, clear} operations, BME converts a single decorated AHB load transaction into a two-cycle atomic read-modify-write sequence, where the combined read-modify operations are performed in the first AHB data phase, and then the write is performed in the second AHB data phase as the original read data is returned to the processor core. For an unsigned bit field extract, the decorated load transaction is stalled for one cycle in the BME as the data field is extracted, then aligned and returned to the processor in the second AHB data phase. This is the only decorated transaction that is not an atomic read-modify-write, as it is a simple data read.

A generic timing diagram of a decorated load showing a load-and-set 1-bit operation is shown as follows.

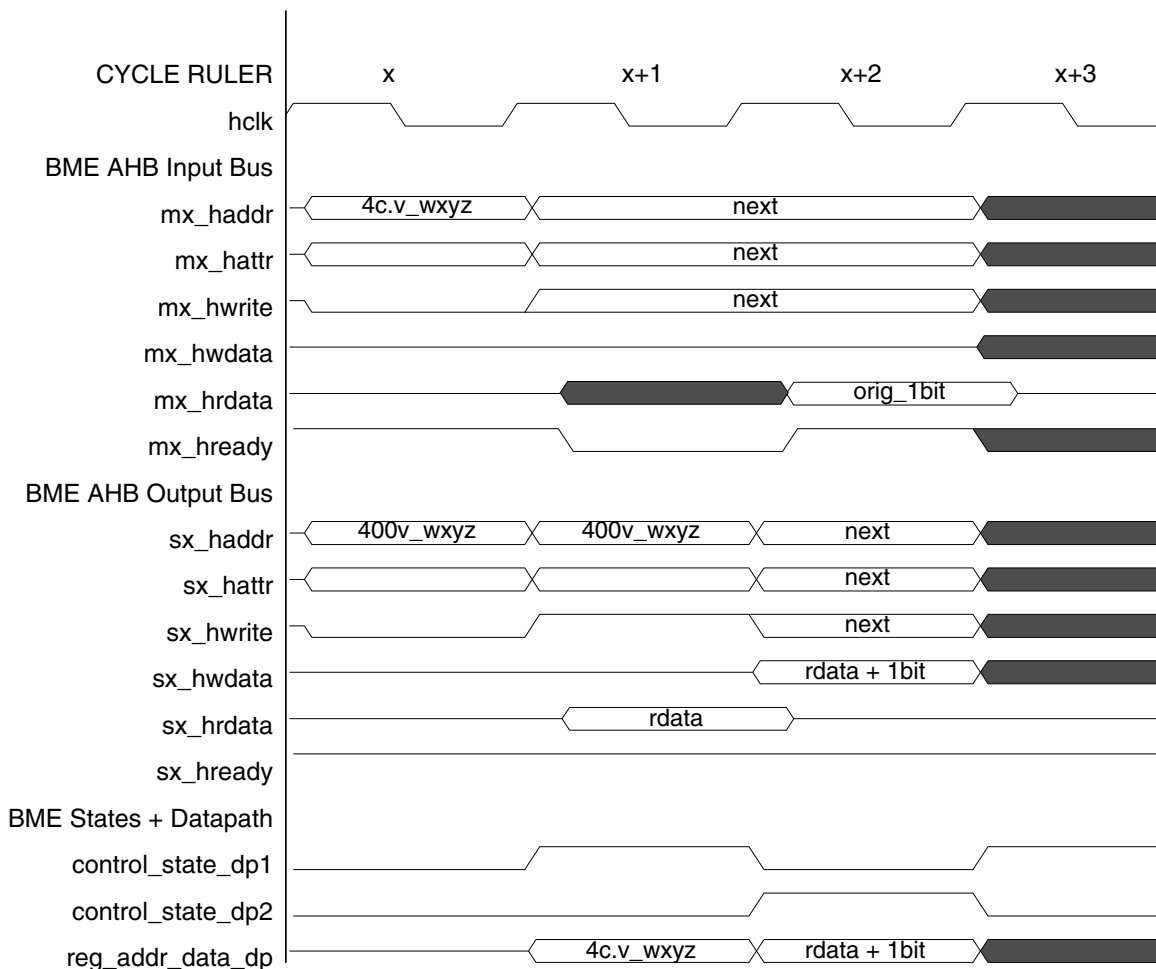


Figure 17-7. Decorated load: load-and-set 1-bit field insert timing diagram

Decorated load-and-`{set, clear}` 1-bit operations follow the execution template shown in the above figure: a 2-cycle read-modify-write operation:

1. Cycle x , first AHB address phase: Read from input bus is translated into a read operation on the output bus with the actual memory address (with the decoration removed) and then captured in a register
2. Cycle $x+1$, second AHB address phase: Write access with the registered (but actual) memory address is output
3. Cycle $x+1$, first AHB data phase: The "original" 1-bit memory read data is captured in a register, while the 1-bit field is set or clear based on the function defined by the decoration with the modified data captured in a register; the input bus cycle is stalled
4. Cycle $x+2$, second AHB data phase: The selected original 1-bit is right-justified, zero-filled and then driven onto the input read data bus, while the registered write data is sourced onto the output write data bus

NOTE

Any wait states inserted by the peripheral slave device (`sx_hready = 0`) are simply passed through the BME back to the master input bus, stalling the AHB transaction cycle for cycle.

A generic timing diagram of a decorated load showing an unsigned bit field operation is shown in the following figure.

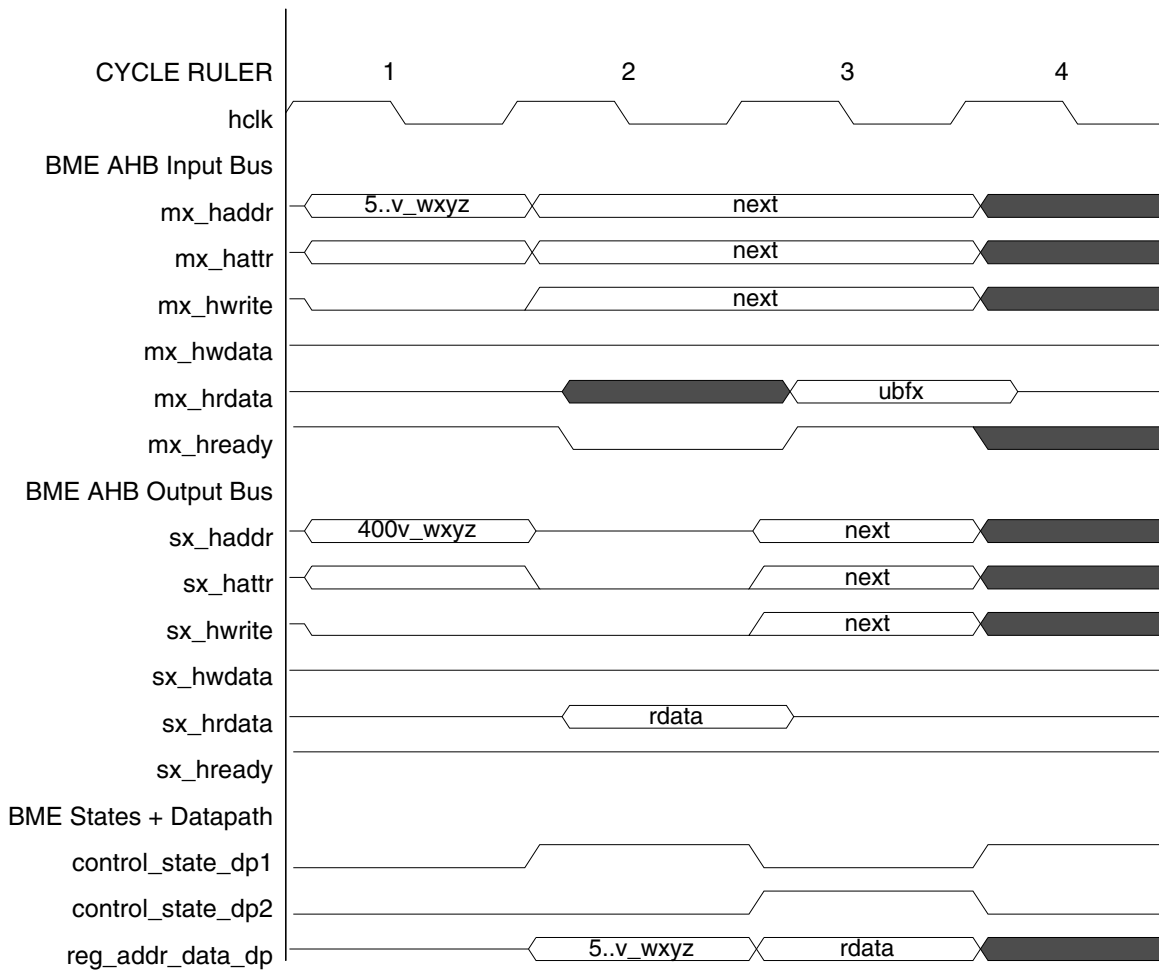


Figure 17-8. Decorated load: unsigned bit field insert timing diagram

The decorated unsigned bit field extract follows the same execution template shown in the above figure, a 2-cycle read operation:

- Cycle x, 1st AHB address phase: Read from input bus is translated into a read operation on the output bus with the actual memory address (with the decoration removed) and then captured in a register
- Cycle x+1, 2nd AHB address phase: Idle cycle
- Cycle x+1, 1st AHB data phase: A bit mask is generated based on the starting bit position and the field width; the mask is AND'ed with the memory read data to isolate the bit field; the resulting data is captured in a data register; the input bus cycle is stalled
- Cycle x+2, 2nd AHB data phase: Registered data is logically right-aligned for proper alignment and driven onto the input read data bus

NOTE

Any wait states inserted by the peripheral slave device ($sx_hready = 0$) are simply passed through the BME back to the master input bus, stalling the AHB transaction cycle for cycle.

17.3.2.1 Decorated load: load-and-clear 1 bit (LAC1)

This command loads a 1-bit field defined by the LSB position (b) into the core's general purpose destination register (Rt) and zeroes the bit in the memory space after performing an atomic read-modify-write sequence.

The extracted 1-bit data field from the memory address is right-justified and zero-filled in the operand returned to the core.

The data size is specified by the read operation and can be byte (8-bit), halfword (16-bit) or word (32-bit).

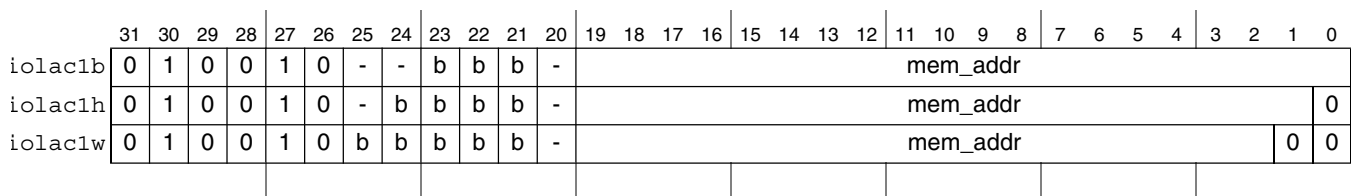


Figure 17-9. Decorated load address: load-and-clear 1 bit

See [Figure 17-9](#) where `addr[28:26] = 010` specifies the load-and-clear 1 bit operation, `addr[25:21]` is "b", the bit identifier, and `mem_addr[19:0]` specifies the address offset into the peripheral space based at `0x4000_0000`. The "-" indicates an address bit "don't care".

The decorated load-and-clear 1-bit read operation is defined in the following pseudo-code as:

```

rdata = iolac1<sz>(accessAddress)           // decorated load-and-clear 1

tmp    = mem[accessAddress & 0xE00FFFFFF, size] // memory read
mask   = 1 << b                               // generate bit mask
rdata  = (tmp & mask) >> b                     // read data returned to core
tmp    = tmp & ~mask                           // modify
mem[accessAddress & 0xE00FFFFFF, size] = tmp  // memory write
    
```

The cycle-by-cycle BME operations are detailed in the following table.

Table 17-5. Cycle definitions of decorated load: load-and-clear 1 bit

Pipeline Stage	Cycle		
	x	x+1	x+2
BME AHB_ap	Forward addr to memory; Decode decoration; Capture address, attributes	Recirculate captured addr + attr to memory as slave_wt	<next>
BME AHB_dp	<previous>	Perform memory read; Form bit mask; Extract bit from rdata; Form (rdata & ~mask) and capture destination data in register	Return extracted bit to master; Perform write sending registered data to memory

17.3.2.2 Decorated Load: Load-and-Set 1 Bit (LAS1)

This command loads a 1-bit field defined by the LSB position (b) into the core's general purpose destination register (Rt) and sets the bit in the memory space after performing an atomic read-modify-write sequence.

The extracted one bit data field from the memory address is right justified and zero filled in the operand returned to the core.

The data size is specified by the read operation and can be byte (8-bit), halfword (16-bit) or word (32-bit).

	31	30	29	28	27	26	25	24	23	22	21	20	19	18	17	16	15	14	13	12	11	10	9	8	7	6	5	4	3	2	1	0
iolas1b	0	1	0	0	1	1	-	-	b	b	b	-	mem_addr																			
iolas1h	0	1	0	0	1	1	-	b	b	b	b	-	mem_addr															0				
iolas1w	0	1	0	0	1	1	b	b	b	b	b	-	mem_addr															0	0			

Figure 17-10. Decorated load address: load-and-set 1 bit

where $\text{addr}[28:26] = 011$ specifies the load-and-set 1 bit operation, $\text{addr}[25:21]$ is "b", the bit identifier, and $\text{mem_addr}[19:0]$ specifies the address offset into the peripheral space based at $0x4000_0000$. The "-" indicates an address bit "don't care".

The decorated Load-and-Set 1 Bit read operation is defined in the following pseudo-code as:

```

rdata = iolas1<sz>(accessAddress)           // decorated load-and-set 1

tmp    = mem[accessAddress & 0xE00FFFFFF, size] // memory read
mask   = 1 << b                               // generate bit mask
rdata  = (tmp & mask) >> b                     // read data returned to core
tmp    = tmp | mask                            // modify
mem[accessAddress & 0xE00FFFFFF, size] = tmp  // memory write

```

The cycle-by-cycle BME operations are detailed in the following table.

Table 17-6. Cycle definitions of decorated load: load-and-set 1-bit

Pipeline Stage	Cycle		
	x	x+1	x+2
BME AHB_ap	Forward addr to memory; Decode decoration; Capture address, attributes	Recirculate captured addr + attr to memory as slave_wt	<next>
BME AHB_dp	<previous>	Perform memory read; Form bit mask; Extract bit from rdata; Form (rdata mask) and capture destination data in register	Return extracted bit to master; Perform write sending registered data to memory

17.3.2.3 Decorated load unsigned bit field extract (UBFX)

This command extracts a bit field defined by LSB position (b) and the bit field width (w +1) from the memory "container" defined by the access size associated with the load instruction using a two-cycle read sequence.

The extracted bit field from the memory address is right-justified and zero-filled in the operand returned to the core. Recall this is the only decorated operation that does not perform a memory write, that is, UBFX only performs a read.

The data size is specified by the write operation and can be byte (8-bit), halfword (16-bit) or word (32-bit). Note for the word sized operation, the maximum bit field width is 16 bits.

The use of a UBFX operation is recommended to extract a single bit from a peripheral. For this case, the w field is simply set to 0, indicating a bit field width of 1.

	31	30	29	28	27	26	25	24	23	22	21	20	19	18	17	16	15	14	13	12	11	10	9	8	7	6	5	4	3	2	1	0
ioubfxb	0	1	0	1	-	-	b	b	b	-	w	w	w	mem_addr																		
ioubfxh	0	1	0	1	-	b	b	b	b	w	w	w	w	mem_addr														0				
ioubfxw	0	1	0	1	b	b	b	b	b	w	w	w	w	mem_addr														0	0			

Figure 17-11. Decorated load address: unsigned bit field extract

See Figure 17-11, where `addr[28] = 1` specifies the unsigned bit field extract operation, `addr[27:23]` is "b", the LSB identifier, `addr[22:19]` is "w", the bit field width minus 1 identifier, and `mem_addr[18:0]` specifies the address offset into the peripheral space based at `0x4000_0000`. The "-" indicates an address bit "don't care". Note, unlike the other decorated load operations, UBFX uses `addr[19]` as the least significant bit in the "w" specifier and not as an address bit.

The decorated unsigned bit field extract read operation is defined in the following pseudo-code as:

```

rdata = ioubfx<sz>(accessAddress)           // unsigned bit field extract

tmp    = mem[accessAddress & 0xE007FFFF, size] // memory read
mask   = ((1 << (w+1)) - 1) << b             // generate bit mask
rdata  = (tmp & mask) >> b                   // read data returned to core
    
```

Like the BFI operation, when the starting bit position plus the field width exceeds the container size, only part of the source bit field is extracted from the destination memory location. Stated differently, if $(b + w + 1) > \text{container_width}$, only the low-order "container_width - b" bits are actually extracted. The cycle-by-cycle BME operations are detailed in the following table.

Table 17-7. Cycle definitions of decorated load: unsigned bit field extract

Pipeline Stage	Cycle		
	x	x+1	x+2
BME AHB_ap	Forward addr to memory; Decode decoration; Capture address, attributes	Idle AHB address phase	<next>
BME AHB_dp	<previous>	Perform memory read; Form bit mask; Form (rdata & mask) and capture destination data in register	Logically right shift registered data; Return justified rdata to master

17.3.3 Additional details on decorated addresses and GPIO accesses

As previously noted, the peripheral address space occupies a 516 KB region: 512 KB based at 0x4000_0000 plus a 4 KB space based at 0x400F_F000 for GPIO accesses. This memory layout provides compatibility with the Kinetis K Family and provides 129 address "slots", each 4 KB in size.

The GPIO address space is multiply-mapped by the hardware: it appears at the "standard" system address 0x400F_F000 and is physically located in the address slot corresponding to address 0x4000_F000. Decorated loads and stores create a slight complication involving accesses to the GPIO. Recall the use of address[19] varies by decorated operation; for AND, OR, XOR, LAC1 and LAS1, this bit functions as a true address bit, while for BFI and UBFX, this bit defines the least significant bit of the "w" bit field specifier.

As a result, undecorated GPIO references and decorated AND, OR, XOR, LAC1 and LAS1 operations can use the standard 0x400F_F000 base address, while decorated BFI and UBFX operations must use the alternate 0x4000_F000 base address. Another implementation can simply use 0x400F_F000 as the base address for all undecorated GPIO accesses and 0x4000_F000 as the base address for all decorated accesses. Both implementations are supported by the hardware.

Table 17-8. Decorated peripheral and GPIO address details

Peripheral address space	Description
0x4000_0000–0x4007_FFFF	Undecorated (normal) peripheral accesses
0x4008_0000–0x400F_EFFF	Illegal addresses; attempted references are aborted and error terminated
0x400F_F000–0x400F_FFFF	Undecorated (normal) GPIO accesses using standard address
0x4010_0000–0x43FF_FFFF	Illegal addresses; attempted references are aborted and error terminated

Table continues on the next page...

Table 17-8. Decorated peripheral and GPIO address details (continued)

Peripheral address space	Description
0x4400_0000–0x4FFF_FFFF	Decorated AND, OR, XOR, LAC1, LAS1 references to peripherals and GPIO based at either 0x4000_F000 or 0x400F_F000
0x5000_0000–0x5FFF_FFFF	Decorated BFI, UBFX references to peripherals and GPIO only based at 0x4000_F000

17.4 Application information

In this section, GNU assembler macros with C expression operands are presented as examples of the required instructions to perform decorated operations.

This section specifically presents a partial bme.h file defining the assembly language expressions for decorated logical stores: AND, OR, and XOR. Comparable functions for BFI and the decorated loads are more complex and available in the complete BME header file.

These macros use the same function names presented in [Functional description](#).

```

#define IOANDW(ADDR,WDATA)      \
    __asm("ldr    r3, =(1<<26);" \
          "orr    r3, %[addr];"   \
          "mov    r2, %[wdata];"  \
          "str    r2, [r3];"     \
          ":: [addr] \"r\" (ADDR), [wdata] \"r\" (WDATA) : \"r2\", \"r3\");

#define IOANDH(ADDR,WDATA)      \
    __asm("ldr    r3, =(1<<26);" \
          "orr    r3, %[addr];"   \
          "mov    r2, %[wdata];"  \
          "strh   r2, [r3];"     \
          ":: [addr] \"r\" (ADDR), [wdata] \"r\" (WDATA) : \"r2\", \"r3\");

#define IOANDB(ADDR,WDATA)      \
    __asm("ldr    r3, =(1<<26);" \
          "orr    r3, %[addr];"   \
          "mov    r2, %[wdata];"  \
          "strb   r2, [r3];"     \
          ":: [addr] \"r\" (ADDR), [wdata] \"r\" (WDATA) : \"r2\", \"r3\");

#define IOORW(ADDR,WDATA)       \
    __asm("ldr    r3, =(1<<27);" \
          "orr    r3, %[addr];"   \
          "mov    r2, %[wdata];"  \
          "str    r2, [r3];"     \
          ":: [addr] \"r\" (ADDR), [wdata] \"r\" (WDATA) : \"r2\", \"r3\");

#define IOORH(ADDR,WDATA)       \
    __asm("ldr    r3, =(1<<27);" \
          "orr    r3, %[addr];"   \
          "mov    r2, %[wdata];"  \
          "strh   r2, [r3];"     \
          ":: [addr] \"r\" (ADDR), [wdata] \"r\" (WDATA) : \"r2\", \"r3\");

#define IOORB(ADDR,WDATA)       \
    __asm("ldr    r3, =(1<<27);" \
          "orr    r3, %[addr];"   \

```

```

        "mov    r2, %[wdata];"      \
        "strb  r2, [r3];"          \
        ":: [addr] "r" (ADDR), [wdata] "r" (WDATA) : "r2", "r3");

#define IOXORW(ADDR,WDATA)        \
    __asm("ldr    r3, =(3<<26);"  \
          "orr    r3, %[addr];"    \
          "mov    r2, %[wdata];"   \
          "str   r2, [r3];"        \
          ":: [addr] "r" (ADDR), [wdata] "r" (WDATA) : "r2", "r3");

#define IOXORH(ADDR,WDATA)        \
    __asm("ldr    r3, =(3<<26);"  \
          "orr    r3, %[addr];"    \
          "mov    r2, %[wdata];"   \
          "strh  r2, [r3];"        \
          ":: [addr] "r" (ADDR), [wdata] "r" (WDATA) : "r2", "r3");

#define IOXORB(ADDR,WDATA)        \
    __asm("ldr    r3, =(3<<26);"  \
          "orr    r3, %[addr];"    \
          "mov    r2, %[wdata];"   \
          "strb  r2, [r3];"        \
          ":: [addr] "r" (ADDR), [wdata] "r" (WDATA) : "r2", "r3");

```


Chapter 18

Miscellaneous Control Module (MCM)

18.1 Introduction

NOTE

For the chip-specific implementation details of this module's instances, see the chip configuration information.

The Miscellaneous Control Module (MCM) provides a myriad of miscellaneous control functions.

18.1.1 Features

The MCM includes the following features:

- Program-visible information on the platform configuration
- Crossbar master arbitration policy selection
- Flash controller speculation buffer and cache configurations

18.2 Memory map/register descriptions

The memory map and register descriptions below describe the registers using byte addresses. The registers can be written only when in supervisor mode.

MCM memory map

Absolute address (hex)	Register name	Width (in bits)	Access	Reset value	Section/page
F000_3008	Crossbar Switch (AXBS) Slave Configuration (MCM_PLASC)	16	R	0007h	18.2.1/294

Table continues on the next page...

MCM memory map (continued)

Absolute address (hex)	Register name	Width (in bits)	Access	Reset value	Section/page
F000_300A	Crossbar Switch (AXBS) Master Configuration (MCM_PLAMC)	16	R	000Dh	18.2.2/295
F000_300C	Platform Control Register (MCM_PLACR)	32	R/W	0000_0000h	18.2.3/295
F000_3040	Compute Operation Control Register (MCM_CPO)	32	R/W	0000_0000h	18.2.4/298

18.2.1 Crossbar Switch (AXBS) Slave Configuration (MCM_PLASC)

PLASC is a 16-bit read-only register identifying the presence/absence of bus slave connections to the device's crossbar switch.

Address: F000_3000h base + 8h offset = F000_3008h

Bit	15	14	13	12	11	10	9	8	7	6	5	4	3	2	1	0	
Read	0								ASC								
Write																	
Reset	0	0	0	0	0	0	0	0	0	0	0	0	0	0	1	1	1

MCM_PLASC field descriptions

Field	Description
15–8 Reserved	This field is reserved. This read-only field is reserved and always has the value 0.
7–0 ASC	Each bit in the ASC field indicates whether there is a corresponding connection to the crossbar switch's slave input port. 0 A bus slave connection to AXBS input port <i>n</i> is absent. 1 A bus slave connection to AXBS input port <i>n</i> is present.

18.2.2 Crossbar Switch (AXBS) Master Configuration (MCM_PLAMC)

PLAMC is a 16-bit read-only register identifying the presence/absence of bus master connections to the device's crossbar switch.

Address: F000_3000h base + Ah offset = F000_300Ah

Bit	15	14	13	12	11	10	9	8	7	6	5	4	3	2	1	0	
Read	0								AMC								
Write	[Shaded]																
Reset	0	0	0	0	0	0	0	0	0	0	0	0	0	1	1	0	1

MCM_PLAMC field descriptions

Field	Description
15–8 Reserved	This field is reserved. This read-only field is reserved and always has the value 0.
7–0 AMC	Each bit in the AMC field indicates whether there is a corresponding connection to the AXBS master input port. 0 A bus master connection to AXBS input port <i>n</i> is absent 1 A bus master connection to AXBS input port <i>n</i> is present

18.2.3 Platform Control Register (MCM_PLACR)

The PLACR register selects the arbitration policy for the crossbar masters and configures the flash memory controller.

The speculation buffer and cache in the flash memory controller is configurable via PLACR[15:10].

The speculation buffer is enabled only for instructions after reset. It is possible to have these states for the speculation buffer:

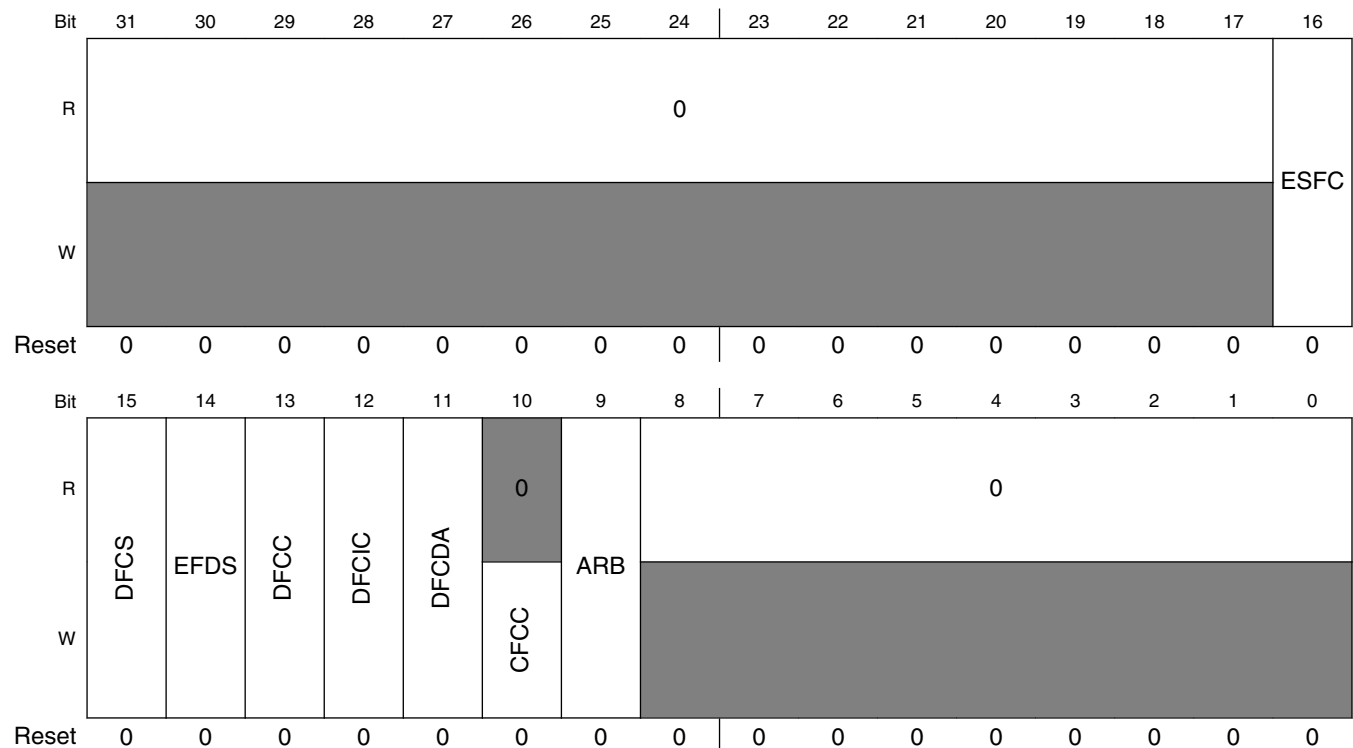
DFCS	EFDS	Description
0	0	Speculation buffer is on for instruction and off for data.
0	1	Speculation buffer is on for instruction and on for data.
1	X	Speculation buffer is off.

Memory map/register descriptions

The cache in flash controller is enabled and caching both instruction and data type fetches after reset. It is possible to have these states for the cache:

DFCC	DFCIC	DFCDA	Description
0	0	0	Cache is on for both instruction and data.
0	0	1	Cache is on for instruction and off for data.
0	1	0	Cache is off for instruction and on for data.
0	1	1	Cache is off for both instruction and data.
1	X	X	Cache is off.

Address: F000_3000h base + Ch offset = F000_300Ch



MCM_PLACR field descriptions

Field	Description
31–17 Reserved	This field is reserved. This read-only field is reserved and always has the value 0.
16 ESFC	Enable Stalling Flash Controller Enables stalling flash controller when flash is busy. 0 Disable stalling flash controller when flash is busy. 1 Enable stalling flash controller when flash is busy.

Table continues on the next page...

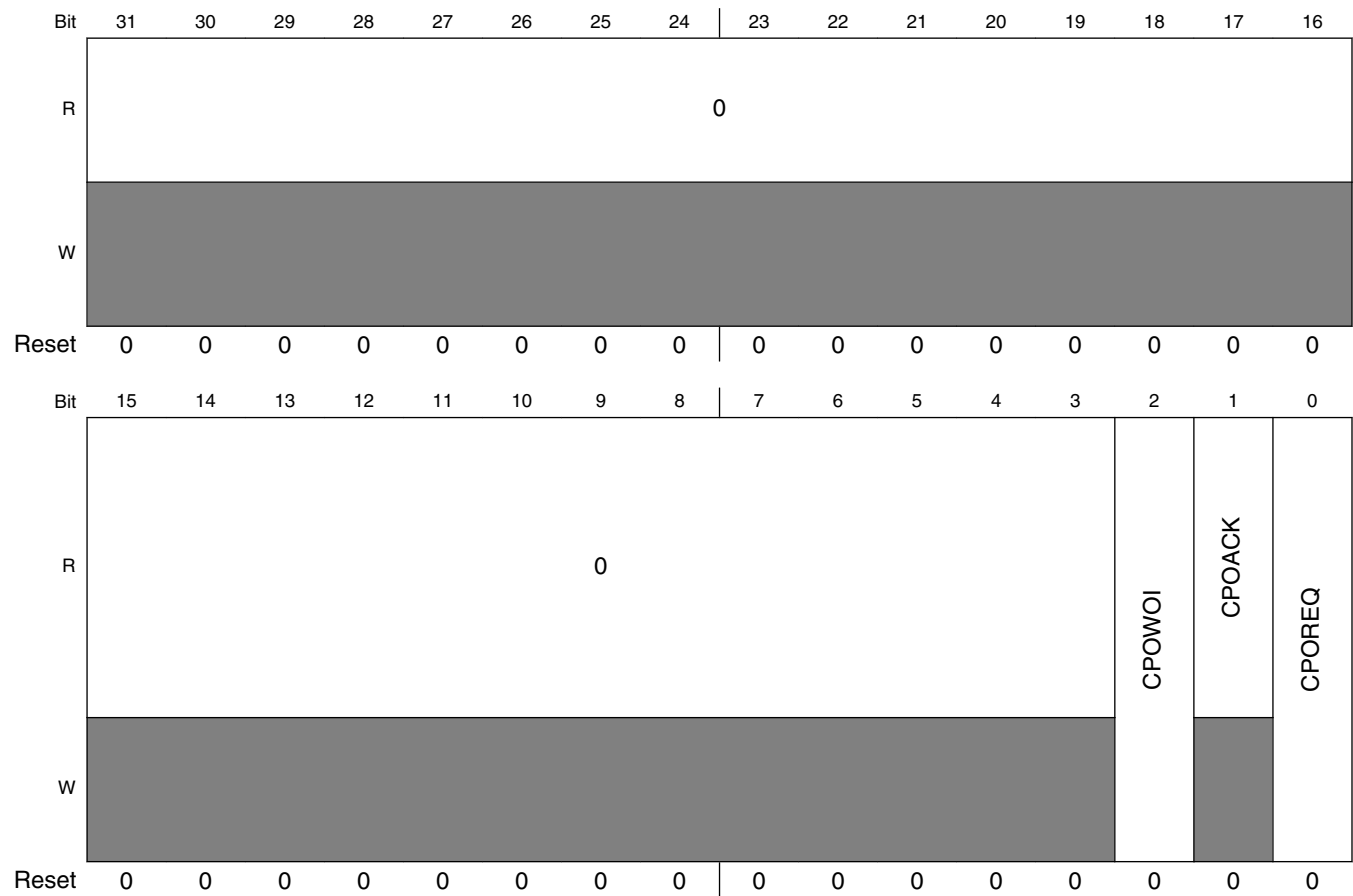
MCM_PLACR field descriptions (continued)

Field	Description
15 DFCS	Disable Flash Controller Speculation Disables flash controller speculation. 0 Enable flash controller speculation. 1 Disable flash controller speculation.
14 EFDS	Enable Flash Data Speculation Enables flash data speculation. 0 Disable flash data speculation. 1 Enable flash data speculation.
13 DFCC	Disable Flash Controller Cache Disables flash controller cache. 0 Enable flash controller cache. 1 Disable flash controller cache.
12 DFCIC	Disable Flash Controller Instruction Caching Disables flash controller instruction caching. 0 Enable flash controller instruction caching. 1 Disable flash controller instruction caching.
11 DFCDA	Disable Flash Controller Data Caching Disables flash controller data caching. 0 Enable flash controller data caching 1 Disable flash controller data caching.
10 CFCC	Clear Flash Controller Cache Writing a 1 to this field clears the cache. Writing a 0 to this field is ignored. This field always reads as 0.
9 ARB	Arbitration select 0 Fixed-priority arbitration for the crossbar masters 1 Round-robin arbitration for the crossbar masters
8–0 Reserved	This field is reserved. This read-only field is reserved and always has the value 0.

18.2.4 Compute Operation Control Register (MCM_CPO)

This register controls the Compute Operation.

Address: F000_3000h base + 40h offset = F000_3040h



MCM_CPO field descriptions

Field	Description
31–3 Reserved	This field is reserved. This read-only field is reserved and always has the value 0.
2 CPOWOI	Compute Operation wakeup on interrupt 0 No effect. 1 When set, the CPOREQ is cleared on any interrupt or exception vector fetch.
1 CPOACK	Compute Operation acknowledge 0 Compute operation entry has not completed or compute operation exit has completed. 1 Compute operation entry has completed or compute operation exit has not completed.
0 CPOREQ	Compute Operation request This bit is auto-cleared by vector fetching if CPOWOI = 1.

Table continues on the next page...

MCM_CPO field descriptions (continued)

Field	Description
0	Request is cleared.
1	Request Compute Operation.

Chapter 19

Micro Trace Buffer (MTB)

19.1 Introduction

Microcontrollers using the Cortex-M0+ processor core include support for a CoreSight Micro Trace Buffer to provide program trace capabilities. The proper name for this function is the CoreSight Micro Trace Buffer for the Cortex-M0+ Processor; in this document, it is simply abbreviated as the MTB.

The simple program trace function creates instruction address change-of-flow data packets in a user-defined region of the system RAM. Accordingly, the system RAM controller manages requests from two sources:

- AMBA-AHB reads and writes from the system bus
- program trace packet writes from the processor

As part of the MTB functionality, there is a DWT (Data Watchpoint and Trace) module that allows the user to define watchpoint addresses, or optionally, an address and data value, that when triggered, can be used to start or stop the program trace recording.

This document details the functionality of both the MTB_RAM and MTB_DWT capabilities.

19.1.1 Overview

A generic block diagram of the processor core and platform for this class of ultra low-end microcontrollers is shown as follows:

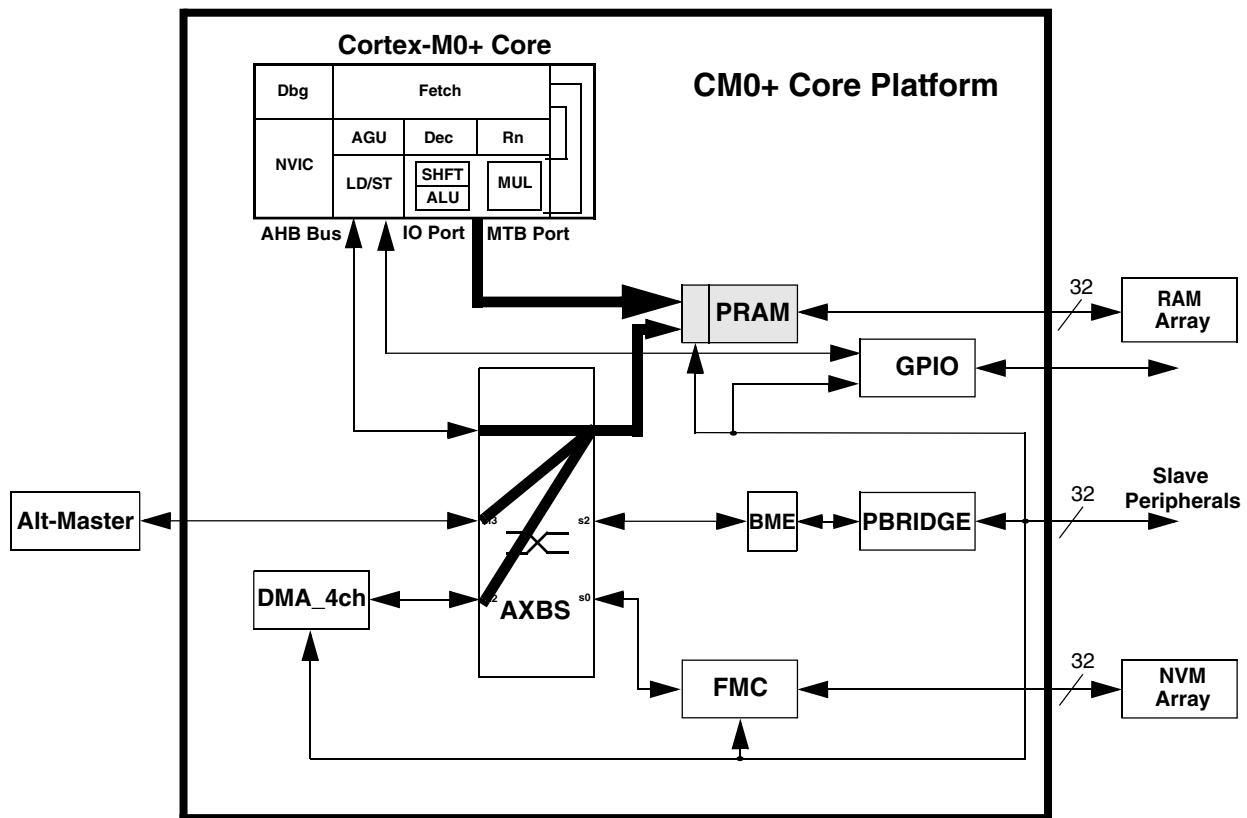


Figure 19-1. Generic Cortex-M0+ core platform block diagram

As shown in the block diagram, the platform RAM (PRAM) controller connects to two input buses:

- the crossbar slave port for system bus accesses
- a "private execution MTB port" from the core

The logical paths from the crossbar master input ports to the PRAM controller are highlighted along with the private execution trace port from the processor core. The private MTB port signals the instruction address information needed for the 64-bit program trace packets written into the system RAM. The PRAM controller output interfaces to the attached RAM array. In this document, the PRAM controller is the MTB_RAM controller.

The following information is taken from the ARM CoreSight Micro Trace Buffer documentation.

"The execution trace packet consists of a pair of 32-bit words that the MTB generates when it detects the processor PC value changes non-sequentially. A non-sequential PC change can occur during branch instructions or during exception entry.

The processor can cause a trace packet to be generated for any instruction.

The following figure shows how the execution trace information is stored in memory as a sequence of packets.

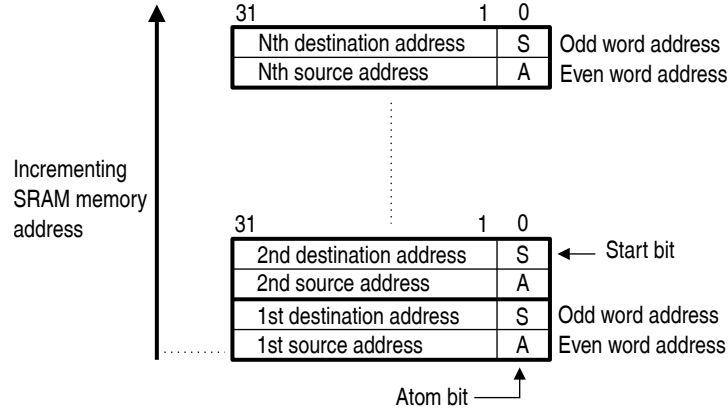


Figure 19-2. MTB execution trace storage format

The first, lower addressed, word contains the source of the branch, the address it branched from. The value stored only records bits[31:1] of the source address, because Thumb instructions are at least halfword aligned. The least significant bit of the value is the A-bit. The A-bit indicates the atomic state of the processor at the time of the branch, and can differentiate whether the branch originated from an instruction in a program, an exception, or a PC update in Debug state. When it is zero the branch originated from an instruction, when it is one the branch originated from an exception or PC update in Debug state. This word is always stored at an even word location.

The second, higher addressed word contains the destination of the branch, the address it branched to. The value stored only records bits[31:1] of the branch address. The least significant bit of the value is the S-bit. The S-bit indicates where the trace started. An S-bit value of 1 indicates where the first packet after the trace started and a value of 0 is used for other packets. Because it is possible to start and stop tracing multiple times in a trace session, the memory might contain several packets with the S-bit set to 1. This word is always stored in the next higher word in memory, an odd word address.

When the A-bit is set to 1, the source address field contains the architecturally-preferred return address for the exception. For example, if an exception was caused by an SVC instruction, then the source address field contains the address of the following instruction. This is different from the case where the A-bit is set to 0. In this case, the source address contains the address of the branch instruction.

For an exception return operation, two packets are generated:

- The first packet has the:
 - Source address field set to the address of the instruction that causes the exception return, BX or POP.

- Destination address field set to bits[31:1] of the EXC_RETURN value. See the ARM v6-M Architecture Reference Manual.
- The A-bit set to 0.
- The second packet has the:
 - Source address field set to bits[31:1] of the EXC_RETURN value.
 - Destination address field set to the address of the instruction where execution commences.
 - A-bit set to 1."

Given the recorded change-of-flow trace packets in system RAM and the memory image of the application, a debugger can read out the data and create an instruction-by-instruction program trace. In keeping with the low area and power implementation cost design targets, the MTB trace format is less efficient than other CoreSight trace modules, for example, the ETM (Embedded Trace Macrocell). Since each branch packet is 8 bytes in size, a 1 KB block of system RAM can contain 128 branches. Using the Dhrystone 2.1 benchmark's dynamic runtime as an example, this corresponds to about 875 instructions per KB of trace RAM, or with a zero wait state memory, this corresponds to approximately 1600 processor cycles per KB. This metric is obviously very sensitive to the runtime characteristics of the user code.

The MTB_DWT function (not shown in the core platform block diagram) monitors the processor address and data buses so that configurable watchpoints can be detected to trigger the appropriate response in the MTB recording.

19.1.2 Features

The key features of the MTB_RAM and MTB_DWT include:

- Memory controller for system RAM and Micro Trace Buffer for program trace packets
- Read/write capabilities for system RAM accesses, write-only for program trace packets
- Supports zero wait state response to system bus accesses when no trace data is being written
- Can buffer two AHB address phases and one data write for system RAM accesses
- Supports 64-bit program trace packets including source and destination instruction addresses
- Program trace information in RAM available to MCU's application code or external debugger
- Program trace watchpoint configuration accessible by MCU's application code or debugger
- Location and size of RAM trace buffer is configured by software

- Two DWT comparators (addresses or address + data) provide programmable start/stop recording
- CoreSight compliant debug functionality

19.1.3 Modes of operation

The MTB_RAM and MTB_DWT functions do not support any special modes of operation. The MTB_RAM controller, as a memory-mapped device located on the platform's slave AHB system bus, responds based strictly on memory addresses for accesses to its attached RAM array. The MTB private execution bus provides program trace packet write information to the RAM controller. Both the MTB_RAM and MTB_DWT modules are memory-mapped so their programming models can be accessed.

All functionality associated with the MTB_RAM and MTB_DWT modules resides in the core platform's clock domain; this includes its connections with the RAM array.

19.2 External signal description

The MTB_RAM and MTB_DWT modules do not directly support any external interfaces.

The internal interfaces includes a standard AHB bus with a 32-bit datapath width from the appropriate crossbar slave port plus the private execution trace bus from the processor core. The signals in the private execution trace bus are detailed in the following table taken from the ARM CoreSight Micro Trace Buffer documentation. The signal direction is defined as viewed by the MTB_RAM controller.

Table 19-1. Private execution trace port from the core to MTB_RAM

Signal	Direction	Description
LOCKUP	Input	Indicates the processor is in the Lockup state. This signal is driven LOW for cycles when the processor is executing normally and driven HIGH for every cycle the processor is waiting in the Lockup state. This signal is valid on every cycle.
IAESEQ	Input	Indicates the next instruction address in execute, IAEX, is sequential, that is non-branching.
IAEXEN	Input	IAEX register enable.
IAEX[30:0]	Input	Registered address of the instruction in the execution stage, shifted right by one bit, that is, PC >> 1.
ATOMIC	Input	Indicates the processor is performing non-instruction related activities.
EDBGRQ	Output	Request for the processor to enter the Debug state, if enabled, and halt.

In addition, there are two signals formed by the MTB_DWT module and driven to the MTB_RAM controller: TSTART (trace start) and TSTOP (trace stop). These signals can be configured using the trace watchpoints to define programmable addresses and data values to affect the program trace recording state.

19.3 Memory map and register definition

The MTB_RAM and MTB_DWT modules each support a sparsely-populated 4 KB address space for their programming models. For each address space, there are a variety of control and configurable registers near the base address, followed by a large unused address space and finally a set of CoreSight registers to support dynamic determination of the debug configuration for the device.

Accesses to the programming model follow standard ARM conventions. Taken from the ARM CoreSight Micro Trace Buffer documentation, these are:

- Do not attempt to access reserved or unused address locations. Attempting to access these locations can result in UNPREDICTABLE behavior.
- The behavior of the MTB is UNPREDICTABLE if the registers with UNKNOWN reset values are not programmed prior to enabling trace.
- Unless otherwise stated in the accompanying text:
 - Do not modify reserved register bits
 - Ignore reserved register bits on reads
 - All register bits are reset to a logic 0 by a system or power-on reset
 - Use only word size, 32-bit, transactions to access all registers

19.3.1 MTB_RAM Memory Map

MTB memory map

Absolute address (hex)	Register name	Width (in bits)	Access	Reset value	Section/page
F000_0000	MTB Position Register (MTB_POSITION)	32	R/W	Undefined	19.31.1/307
F000_0004	MTB Master Register (MTB_MASTER)	32	R/W	See section	19.31.2/309
F000_0008	MTB Flow Register (MTB_FLOW)	32	R/W	Undefined	19.31.3/311
F000_000C	MTB Base Register (MTB_BASE)	32	R	Undefined	19.31.4/313
F000_0F00	Integration Mode Control Register (MTB_MODECTRL)	32	R	0000_0000h	19.31.5/313
F000_0FA0	Claim TAG Set Register (MTB_TAGSET)	32	R	0000_0000h	19.31.6/314
F000_0FA4	Claim TAG Clear Register (MTB_TAGCLEAR)	32	R	0000_0000h	19.31.7/314
F000_0FB0	Lock Access Register (MTB_LOCKACCESS)	32	R	0000_0000h	19.31.8/315

Table continues on the next page...

MTB memory map (continued)

Absolute address (hex)	Register name	Width (in bits)	Access	Reset value	Section/page
F000_0FB4	Lock Status Register (MTB_LOCKSTAT)	32	R	0000_0000h	19.31.9/315
F000_0FB8	Authentication Status Register (MTB_AUTHSTAT)	32	R	0000_0000h	19.31.10/316
F000_0FBC	Device Architecture Register (MTB_DEVICEARCH)	32	R	4770_0A31h	19.31.11/317
F000_0FC8	Device Configuration Register (MTB_DEVICECFG)	32	R	0000_0000h	19.31.12/317
F000_0FCC	Device Type Identifier Register (MTB_DEVICETYPID)	32	R	0000_0031h	19.31.13/318
F000_0FD0	Peripheral ID Register (MTB_PERIPHID4)	32	R	See section	19.31.14/318
F000_0FD4	Peripheral ID Register (MTB_PERIPHID5)	32	R	See section	19.31.14/318
F000_0FD8	Peripheral ID Register (MTB_PERIPHID6)	32	R	See section	19.31.14/318
F000_0FDC	Peripheral ID Register (MTB_PERIPHID7)	32	R	See section	19.31.14/318
F000_0FE0	Peripheral ID Register (MTB_PERIPHID0)	32	R	See section	19.31.14/318
F000_0FE4	Peripheral ID Register (MTB_PERIPHID1)	32	R	See section	19.31.14/318
F000_0FE8	Peripheral ID Register (MTB_PERIPHID2)	32	R	See section	19.31.14/318
F000_0FEC	Peripheral ID Register (MTB_PERIPHID3)	32	R	See section	19.31.14/318
F000_0FF0	Component ID Register (MTB_COMPID0)	32	R	See section	19.31.15/319
F000_0FF4	Component ID Register (MTB_COMPID1)	32	R	See section	19.31.15/319
F000_0FF8	Component ID Register (MTB_COMPID2)	32	R	See section	19.31.15/319
F000_0FFC	Component ID Register (MTB_COMPID3)	32	R	See section	19.31.15/319

19.31.1 MTB Position Register (MTB_POSITION)

The MTB_POSITION register contains the Trace Write Address Pointer and Wrap fields. This register can be modified by the explicit programming model writes. It is also automatically updated by the MTB hardware when trace packets are being recorded.

The base address of the system RAM in the memory map dictates special consideration for the placement of the MTB. Consider the following guidelines:

Memory map and register definition

For the standard configuration where the size of the MTB is $\leq 25\%$ of the total RAM capacity, it is recommended the MTB be based at the address defined by the MTB_BASE register. The read-only MTB_BASE register is defined by the expression $(0x2000_0000 - (\text{RAM_Size}/4))$. For this configuration, the MTB_POSITION register is initialized to $\text{MTB_BASE} \& 0x0000_7FF8$.

If the size of the MTB is more than 25% but less than or equal to 50% of the total RAM capacity, it is recommended the MTB be based at address 0x2000_0000. In this configuration, the MTB_POSITION register is initialized to $(0x2000_0000 \& 0x0000_7FF8) = 0x0000_00000$.

Following these two suggested placements provides a full-featured circular memory buffer containing program trace packets.

In the unlikely event an even larger trace buffer is required, a write-once capacity of 75% of the total RAM capacity can be based at address 0x2000_0000. The MTB_POSITION register is initialized to $(0x2000_0000 \& 0x0000_7FF8) = 0x0000_0000$. However, this configuration cannot support operation as a circular queue and instead requires the use of the MTB_FLOW[WATERMARK] capability to automatically disable tracing or halting the processor as the number of packet writes approach the buffer capacity. See the MTB_FLOW register description for more details.

Address: F000_0000h base + 0h offset = F000_0000h

Bit	31	30	29	28	27	26	25	24	23	22	21	20	19	18	17	16
R	POINTER															
W																
Reset	x*	x*	x*	x*	x*	x*	x*	x*	x*	x*	x*	x*	x*	x*	x*	x*
Bit	15	14	13	12	11	10	9	8	7	6	5	4	3	2	1	0
R	POINTER													WRAP	0	
W																
Reset	x*	x*	x*	x*	x*	x*	x*	x*	x*	x*	x*	x*	x*	x*	0	0

* Notes:

- x = Undefined at reset.

MTB_POSITION field descriptions

Field	Description
31–3 POINTER	Trace Packet Address Pointer[28:0] Because a packet consists of two words, the POINTER field is the address of the first word of a packet. This field contains bits[31:3] of the RAM address where the next trace packet is written. Therefore, it points to an unused location and is automatically incremented.

Table continues on the next page...

MTB_POSITION field descriptions (continued)

Field	Description
	<p>A debug agent can calculate the system memory map address for the current location in the MTB using the following "generic" equation:</p> <p>Given $mtb_size = 1 \ll (MTB_MASTER[MASK] + 4)$,</p> <p>$systemAddress = MTB_BASE + (((MTB_POSITION \& 0xFFFF_FFF8) + (mtb_size - (MTB_BASE \& (mtb_size - 1)))) \& 0x0000_7FF8)$;</p> <p>For this device, a simpler expression also applies. See the following pseudo-code:</p> <p>if $((MTB_POSITION \gg 13) == 0x3)$ $systemAddress = (0x1FFF \ll 16) + (0x1 \ll 15) + (MTB_POSITION \& 0x7FF8)$; else $systemAddress = (0x2000 \ll 16) + (0x0 \ll 15) + (MTB_POSITION \& 0x7FF8)$;</p> <p>NOTE: The size of the RAM is parameterized and the most significant bits of the POINTER field are RAZ/WI.</p> <p>For these devices, $POSITION[31:15] == POSITION[POINTER[28:12]]$ are RAZ/WI. Therefore, the active bits in this field are $POSITION[14:3] == POSITION[POINTER[11:0]]$.</p>
2 WRAP	This field is set to 1 automatically when the POINTER value wraps as determined by the MTB_MASTER[MASK] field in the MASTER Trace Control Register. A debug agent might use the WRAP field to determine whether the trace information above and below the pointer address is valid.
1-0 Reserved	This field is reserved. This read-only field is reserved and always has the value 0.

19.31.2 MTB Master Register (MTB_MASTER)

The MTB_MASTER register contains the main program trace enable plus other trace controls. This register can be modified by the explicit programming model writes. MTB_MASTER[EN] and MTB_MASTER[HALTREQ] fields are also automatically updated by the MTB hardware.

Before MTB_MASTER[EN] or MTB_MASTER[TSTARTEN] are set to 1, the software must initialize the MTB_POSITION and MTB_FLOW registers.

If MTB_FLOW[WATERMARK] is used to stop tracing or to halt the processor, MTB_MASTER[MASK] must still be set to a value that prevents MTB_POSITION[POINTER] from wrapping before it reaches the MTB_FLOW[WATERMARK] value.

NOTE

The format of this mask field is different than MTBDWT_MASK_n[MASK].

Memory map and register definition

Address: F000_0000h base + 4h offset = F000_0004h

Bit	31	30	29	28	27	26	25	24	23	22	21	20	19	18	17	16
R	0															
W	[Shaded]															
Reset	0	0	0	0	0	0	0	0	0	0	0	0	0	0	0	0
Bit	15	14	13	12	11	10	9	8	7	6	5	4	3	2	1	0
R	0						HALTREQ	RAMPRIV	SFRWPRIV	TSTOPEN	TSTARTEN	MASK				
W	[Shaded]						HALTREQ	RAMPRIV	SFRWPRIV	TSTOPEN	TSTARTEN	MASK				
Reset	0	0	0	0	0	0	0	0	1	0	0	x*	x*	x*	x*	x*

* Notes:

- x = Undefined at reset.

MTB_MASTER field descriptions

Field	Description
31 EN	<p>Main Trace Enable</p> <p>When this field is 1, trace data is written into the RAM memory location addressed by MTB_POSITION[POINTER]. The MTB_POSITION[POINTER] value auto increments after the trace data packet is written.</p> <p>EN can be automatically set to 0 using the MTB_FLOW[WATERMARK] field and the MTB_FLOW[AUTOSTOP] bit.</p> <p>EN is automatically set to 1 if TSTARTEN is 1 and the TSTART signal is HIGH.</p> <p>EN is automatically set to 0 if TSTOPEN is 1 and the TSTOP signal is HIGH.</p> <p>NOTE: If EN is set to 0 because MTB_FLOW[WATERMARK] is set, then it is not automatically set to 1 if TSTARTEN is 1 and the TSTART input is HIGH. In this case, tracing can only be restarted if MTB_FLOW[WATERMARK] or MTB_POSITION[POINTER] value is changed by software.</p>
30–10 Reserved	<p>This field is reserved.</p> <p>This read-only field is reserved and always has the value 0.</p>
9 HALTREQ	<p>Halt Request</p> <p>This field is connected to the halt request signal of the trace logic, EDBGREQ. When HALTREQ is set to 1, the EDBFGRQ is asserted if DBGEN (invasive debug enable, one of the debug authentication interface signals) is also HIGH. HALTREQ can be automatically set to 1 using MTB_FLOW[WATERMARK].</p>
8 RAMPRIV	<p>RAM Privilege</p> <p>If this field is 0, then user or privileged AHB read and write accesses to the RAM are permitted. If this field is 1, then only privileged AHB read and write accesses to the RAM are permitted and user accesses are RAZ/WI. The HPROT[1] signal determines if an access is a user or privileged mode reference.</p>
7 SFRWPRIV	<p>Special Function Register Write Privilege</p> <p>If this field is 0, then user or privileged AHB read and write accesses to the MTB_RAM Special Function Registers (programming model) are permitted. If this field is 1, then only privileged write accesses are permitted; user write accesses are ignored. The HPROT[1] signal determines if an access is user or privileged. Note MTB_RAM SFR read access are not controlled by this bit and are always permitted.</p>

Table continues on the next page...

MTB_MASTER field descriptions (continued)

Field	Description
6 TSTOPEN	Trace Stop Input Enable If this field is 1 and the TSTOP signal is HIGH, then EN is set to 0. If a trace packet is being written to memory, the write is completed before tracing is stopped.
5 TSTARTEN	Trace Start Input Enable If this field is 1 and the TSTART signal is HIGH, then EN is set to 1. Tracing continues until a stop condition occurs.
4–0 MASK	Mask This value determines the maximum size of the trace buffer in RAM. It specifies the most-significant bit of the MTB_POSITION[POINTER] field that can be updated by automatic increment. If the trace tries to advance past this power of two, the MTB_POSITION[WRAP] bit is set to 1, the MTB_POSITION[MASK+3:3] == MTB_POSITION[POINTER[MASK:0]] bits are set to zero, and the MTB_POSITION[14:MASK+3] == MTB_POSITION[POINTER[11:MASK+1]] bits remain unchanged. This field causes the trace packet information to be stored in a circular buffer of size $2^{[MASK+4]}$ bytes, that can be positioned in memory at multiples of this size. As detailed in the MTB_POSITION description, typical "upper limits" for the MTB size are RAM_Size/4 or RAM_Size/2. Values greater than the maximum have the same effect as the maximum.

19.31.3 MTB Flow Register (MTB_FLOW)

The MTB_FLOW register contains the watermark address and the autostop/autohalt control bits.

If tracing is stopped using the watermark autostop feature, it cannot be restarted until software clears the watermark autostop. This can be achieved in one of the following ways:

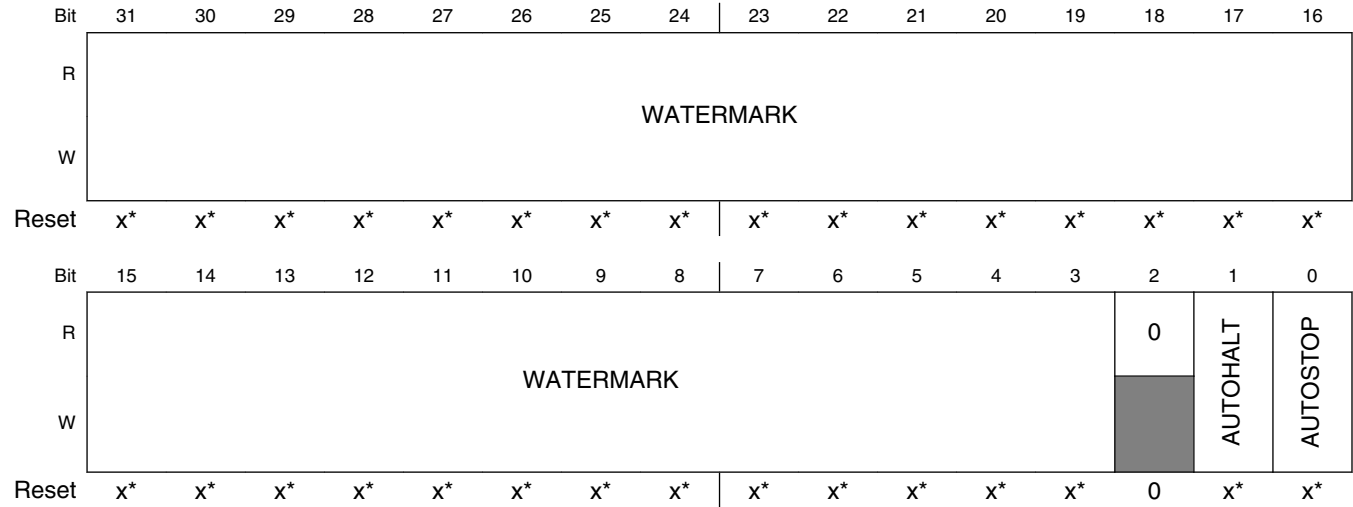
- Changing the MTB_POSITION[POINTER] field value to point to the beginning of the trace buffer, or
- Setting MTB_FLOW[AUTOSTOP] = 0.

A debug agent can use MTB_FLOW[AUTOSTOP] to fill the trace buffer once only without halting the processor.

A debug agent can use MTB_FLOW[AUTOHALT] to fill the trace buffer once before causing the Cortex-M0+ processor to enter the Debug state. To enter Debug state, the Cortex-M0+ processor might have to perform additional branch type operations. Therefore, the MTB_FLOW[WATERMARK] field must be set below the final entry in the trace buffer region.

Memory map and register definition

Address: F000_0000h base + 8h offset = F000_0008h



* Notes:

- x = Undefined at reset.

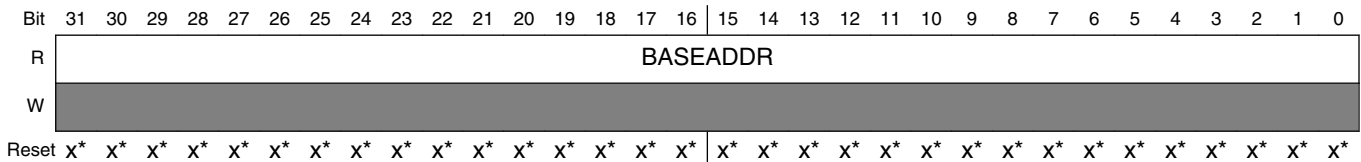
MTB_FLOW field descriptions

Field	Description
31–3 WATERMARK	WATERMARK[28:0] This field contains an address in the same format as the MTB_POSITION[POINTER] field. When MTB_POSITION[POINTER] matches the WATERMARK field value, actions defined by the AUTOHALT and AUTOSTOP bits are performed.
2 Reserved	This field is reserved. This read-only field is reserved and always has the value 0.
1 AUTOHALT	If this field is 1 and WATERMARK is equal to MTB_POSITION[POINTER], then MTB_MASTER[HALTREQ] is automatically set to 1. If the DBGGEN signal is HIGH, the MTB asserts this halt request to the Cortex-M0+ processor by asserting the EDBGREQ signal.
0 AUTOSTOP	If this field is 1 and WATERMARK is equal to MTB_POSITION[POINTER], then MTB_MASTER[EN] is automatically set to 0. This stops tracing.

19.31.4 MTB Base Register (MTB_BASE)

The read-only MTB_BASE Register indicates where the RAM is located in the system memory map. This register is provided to enable auto discovery of the MTB RAM location, by a debug agent and is defined by a hardware design parameter. For this device, the base address is defined by the expression: $MTB_BASE[BASEADDR] = 0x2000_0000 - (RAM_Size/4)$

Address: F000_0000h base + Ch offset = F000_000Ch



* Notes:

- x = Undefined at reset.

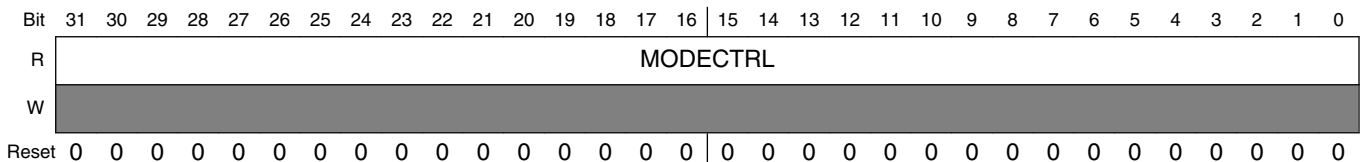
MTB_BASE field descriptions

Field	Description
31–0 BASEADDR	This value is defined with a hardwired signal and the expression: $0x2000_0000 - (RAM_Size/4)$. For example, if the total RAM capacity is 16 KB, this field is 0x1FFF_F000.

19.31.5 Integration Mode Control Register (MTB_MODECTRL)

This register enables the device to switch from a functional mode, or default behavior, into integration mode. It is hardwired to specific values used during the auto-discovery process by an external debug agent.

Address: F000_0000h base + F00h offset = F000_0F00h



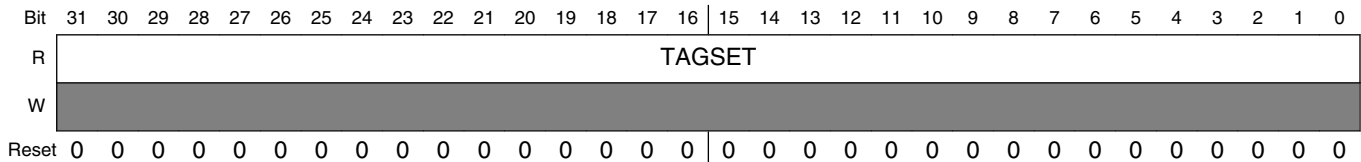
MTB_MODECTRL field descriptions

Field	Description
31–0 MODECTRL	Hardwired to 0x0000_0000

19.31.6 Claim TAG Set Register (MTB_TAGSET)

The Claim Tag Set Register returns the number of bits that can be set on a read, and enables individual bits to be set on a write. It is hardwired to specific values used during the auto-discovery process by an external debug agent.

Address: F000_0000h base + FA0h offset = F000_0FA0h



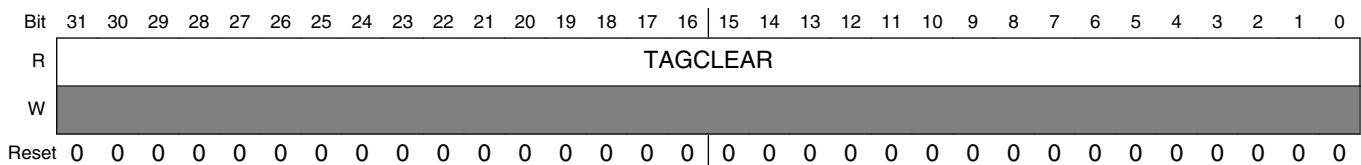
MTB_TAGSET field descriptions

Field	Description
31-0 TAGSET	Hardwired to 0x0000_0000

19.31.7 Claim TAG Clear Register (MTB_TAGCLEAR)

The read/write Claim Tag Clear Register is used to read the claim status on debug resources. A read indicates the claim tag status. Writing 1 to a specific bit clears the corresponding claim tag to 0. It is hardwired to specific values used during the auto-discovery process by an external debug agent.

Address: F000_0000h base + FA4h offset = F000_0FA4h



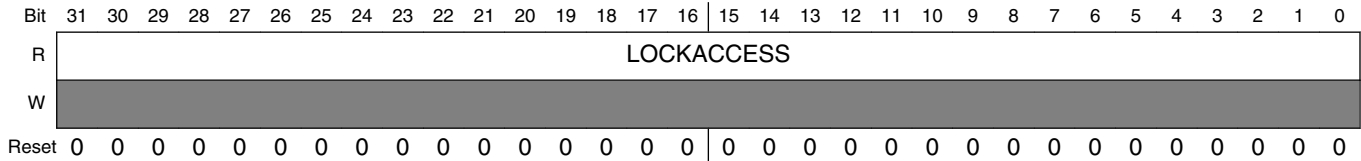
MTB_TAGCLEAR field descriptions

Field	Description
31-0 TAGCLEAR	Hardwired to 0x0000_0000

19.31.8 Lock Access Register (MTB_LOCKACCESS)

The Lock Access Register enables a write access to component registers. It is hardwired to specific values used during the auto-discovery process by an external debug agent.

Address: F000_0000h base + FB0h offset = F000_0FB0h



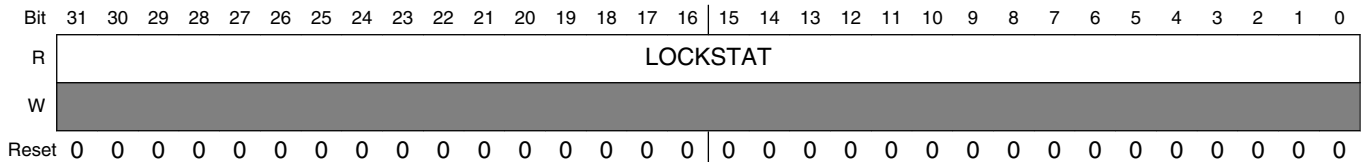
MTB_LOCKACCESS field descriptions

Field	Description
31–0 LOCKACCESS	Hardwired to 0x0000_0000

19.31.9 Lock Status Register (MTB_LOCKSTAT)

The Lock Status Register indicates the status of the lock control mechanism. This register is used in conjunction with the Lock Access Register. It is hardwired to specific values used during the auto-discovery process by an external debug agent.

Address: F000_0000h base + FB4h offset = F000_0FB4h



MTB_LOCKSTAT field descriptions

Field	Description
31–0 LOCKSTAT	Hardwired to 0x0000_0000

19.31.10 Authentication Status Register (MTB_AUTHSTAT)

The Authentication Status Register reports the required security level and current status of the security enable bit pairs. Where functionality changes on a given security level, this change must be reported in this register. It is connected to specific signals used during the auto-discovery process by an external debug agent.

MTB_AUTHSTAT[3:2] indicates if nonsecure, noninvasive debug is enabled or disabled, while MTB_AUTHSTAT[1:0] indicates the enabled/disabled state of nonsecure, invasive debug. For both 2-bit fields, 0b10 indicates the functionality is disabled and 0b11 indicates it is enabled.

Address: F000_0000h base + FB8h offset = F000_0FB8h

Bit	31	30	29	28	27	26	25	24		23	22	21	20	19	18	17	16
R	0																
W	[Shaded]																
Reset	0	0	0	0	0	0	0	0		0	0	0	0	0	0	0	0
Bit	15	14	13	12	11	10	9	8		7	6	5	4	3	2	1	0
R	0												1	BIT2	1	BIT0	
W	[Shaded]												[Shaded]	[Shaded]	[Shaded]	[Shaded]	
Reset	0	0	0	0	0	0	0	0		0	0	0	0	0	0	0	0

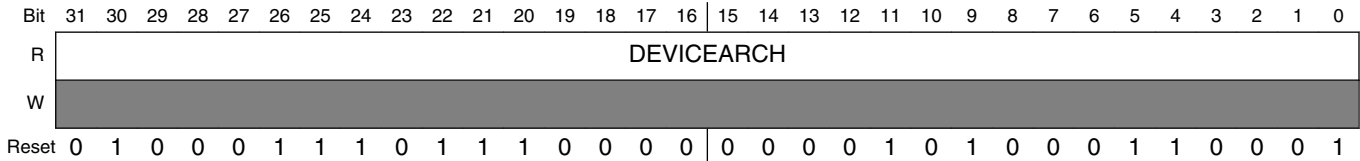
MTB_AUTHSTAT field descriptions

Field	Description
31–4 Reserved	This field is reserved. This read-only field is reserved and always has the value 0.
3 Reserved	This read-only field is reserved and always has the value 1.
2 BIT2	Connected to NIDEN or DBGGEN signal.
1 Reserved	This read-only field is reserved and always has the value 1.
0 BIT0	Connected to DBGGEN.

19.31.11 Device Architecture Register (MTB_DEVICEARCH)

This register indicates the device architecture. It is hardwired to specific values used during the auto-discovery process by an external debug agent.

Address: F000_0000h base + FBCh offset = F000_0FBCh



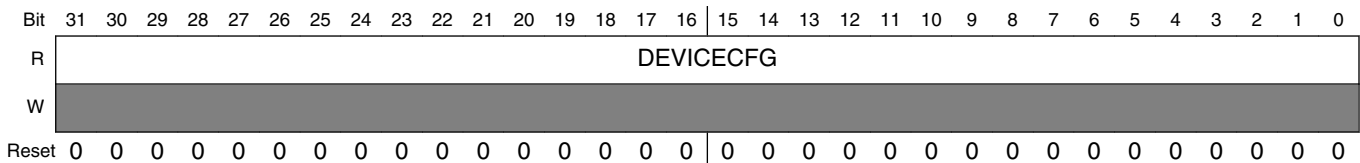
MTB_DEVICEARCH field descriptions

Field	Description
31–0 DEVICEARCH	Hardwired to 0x4770_0A31.

19.31.12 Device Configuration Register (MTB_DEVICECFG)

This register indicates the device configuration. It is hardwired to specific values used during the auto-discovery process by an external debug agent.

Address: F000_0000h base + FC8h offset = F000_0FC8h



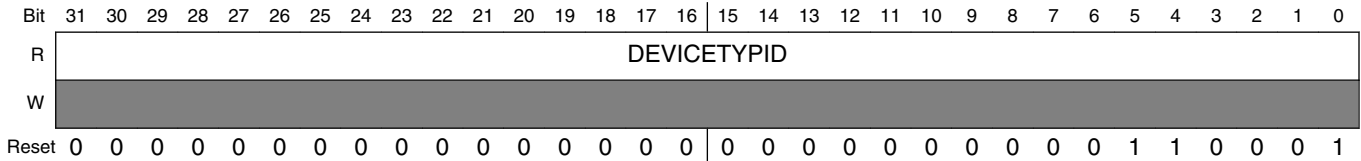
MTB_DEVICECFG field descriptions

Field	Description
31–0 DEVICECFG	Hardwired to 0x0000_0000.

19.31.13 Device Type Identifier Register (MTB_DEVICETYPID)

This register indicates the device type ID. It is hardwired to specific values used during the auto-discovery process by an external debug agent.

Address: F000_0000h base + FCCh offset = F000_0FCCh



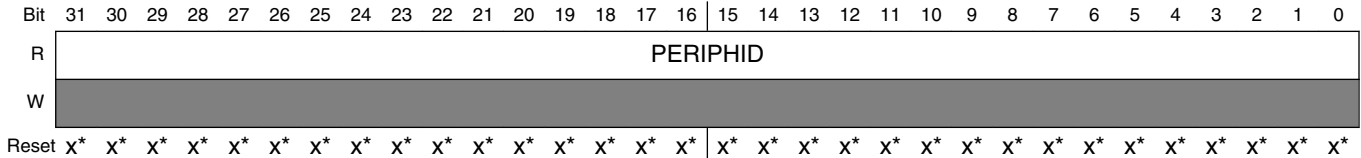
MTB_DEVICETYPID field descriptions

Field	Description
31–0 DEVICETYPID	Hardwired to 0x0000_0031.

19.31.14 Peripheral ID Register (MTB_PERIPHIDn)

These registers indicate the peripheral IDs. They are hardwired to specific values used during the auto-discovery process by an external debug agent.

Address: F000_0000h base + FD0h offset + (4d × i), where i=0d to 7d



* Notes:

- See field descriptions for the reset values.x = Undefined at reset.

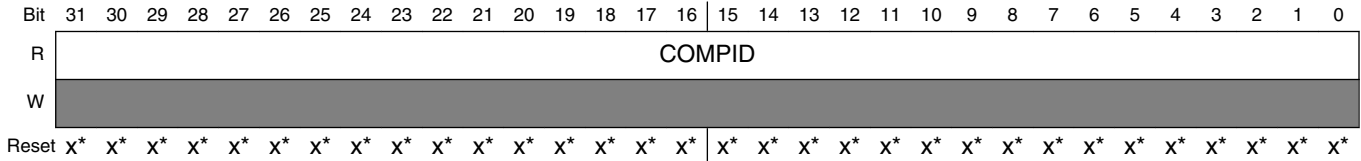
MTB_PERIPHIDn field descriptions

Field	Description
31–0 PERIPHID	Peripheral ID4 is hardwired to 0x0000_0004; ID0 to 0x0000_0032; ID1 to 0x0000_00B9; ID2 to 0x0000_000B; and all the others to 0x0000_0000.

19.31.15 Component ID Register (MTB_COMPIDn)

These registers indicate the component IDs. They are hardwired to specific values used during the auto-discovery process by an external debug agent.

Address: F000_0000h base + FF0h offset + (4d × i), where i=0d to 3d



* Notes:

- See field descriptions for the reset values.x = Undefined at reset.

MTB_COMPIDn field descriptions

Field	Description
31–0 COMPID	Component ID Component ID0 is hardwired to 0x0000_000D; ID1 to 0x0000_0090; ID2 to 0x0000_0005; ID3 to 0x0000_00B1.

19.3.2 MTB_DWT Memory Map

The MTB_DWT programming model supports a very simplified subset of the v7M debug architecture and follows the standard ARM DWT definition.

MTBDWT memory map

Absolute address (hex)	Register name	Width (in bits)	Access	Reset value	Section/page
F000_1000	MTB DWT Control Register (MTBDWT_CTRL)	32	R	2F00_0000h	19.32.1/320
F000_1020	MTB_DWT Comparator Register (MTBDWT_COMP0)	32	R/W	0000_0000h	19.32.2/321
F000_1024	MTB_DWT Comparator Mask Register (MTBDWT_MASK0)	32	R/W	0000_0000h	19.32.3/322
F000_1028	MTB_DWT Comparator Function Register 0 (MTBDWT_FCT0)	32	R/W	0000_0000h	19.32.4/323
F000_1030	MTB_DWT Comparator Register (MTBDWT_COMP1)	32	R/W	0000_0000h	19.32.2/321
F000_1034	MTB_DWT Comparator Mask Register (MTBDWT_MASK1)	32	R/W	0000_0000h	19.32.3/322
F000_1038	MTB_DWT Comparator Function Register 1 (MTBDWT_FCT1)	32	R/W	0000_0000h	19.32.5/325
F000_1200	MTB_DWT Trace Buffer Control Register (MTBDWT_TBCTRL)	32	R/W	2000_0000h	19.32.6/326
F000_1FC8	Device Configuration Register (MTBDWT_DEVICECFG)	32	R	0000_0000h	19.32.7/328

Table continues on the next page...

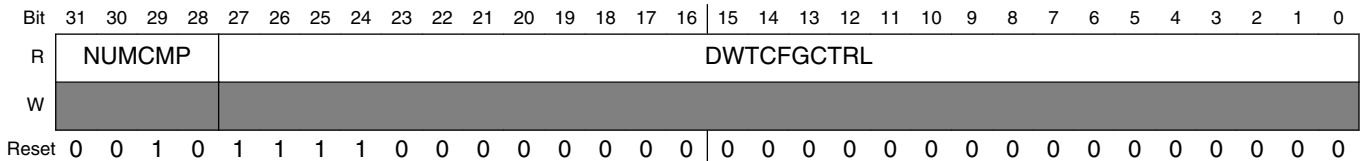
MTBDWT memory map (continued)

Absolute address (hex)	Register name	Width (in bits)	Access	Reset value	Section/page
F000_1FCC	Device Type Identifier Register (MTBDWT_DEVICETYPID)	32	R	0000_0004h	19.32.8/328
F000_1FD0	Peripheral ID Register (MTBDWT_PERIPHID4)	32	R	See section	19.32.9/329
F000_1FD4	Peripheral ID Register (MTBDWT_PERIPHID5)	32	R	See section	19.32.9/329
F000_1FD8	Peripheral ID Register (MTBDWT_PERIPHID6)	32	R	See section	19.32.9/329
F000_1FDC	Peripheral ID Register (MTBDWT_PERIPHID7)	32	R	See section	19.32.9/329
F000_1FE0	Peripheral ID Register (MTBDWT_PERIPHID0)	32	R	See section	19.32.9/329
F000_1FE4	Peripheral ID Register (MTBDWT_PERIPHID1)	32	R	See section	19.32.9/329
F000_1FE8	Peripheral ID Register (MTBDWT_PERIPHID2)	32	R	See section	19.32.9/329
F000_1FEC	Peripheral ID Register (MTBDWT_PERIPHID3)	32	R	See section	19.32.9/329
F000_1FF0	Component ID Register (MTBDWT_COMPID0)	32	R	See section	19.32.10/329
F000_1FF4	Component ID Register (MTBDWT_COMPID1)	32	R	See section	19.32.10/329
F000_1FF8	Component ID Register (MTBDWT_COMPID2)	32	R	See section	19.32.10/329
F000_1FFC	Component ID Register (MTBDWT_COMPID3)	32	R	See section	19.32.10/329

19.32.1 MTB DWT Control Register (MTBDWT_CTRL)

The MTBDWT_CTRL register provides read-only information on the watchpoint configuration for the MTB_DWT.

Address: F000_1000h base + 0h offset = F000_1000h



MTBDWT_CTRL field descriptions

Field	Description
31–28 NUMCMP	Number of comparators The MTB_DWT implements two comparators.
27–0 DWT CFG CTRL	DWT configuration controls This field is hardwired to 0xF00_0000, disabling all the remaining DWT functionality. The specific fields and their state are: MTBDWT_CTRL[27] = NOTRCPKT = 1, trace sample and exception trace is not supported

Table continues on the next page...

MTBDWT_CTRL field descriptions (continued)

Field	Description
	MTBDWT_CTRL[26] = NOEXTTRIG = 1, external match signals are not supported
	MTBDWT_CTRL[25] = NOCYCCNT = 1, cycle counter is not supported
	MTBDWT_CTRL[24] = NOPRFCNT = 1, profiling counters are not supported
	MTBDWT_CTRL[22] = CYCEBTENA = 0, no POSTCNT underflow packets generated
	MTBDWT_CTRL[21] = FOLDEVTENA = 0, no folded instruction counter overflow events
	MTBDWT_CTRL[20] = LSUEVTENA = 0, no LSU counter overflow events
	MTBDWT_CTRL[19] = SLEEPEVTENA = 0, no sleep counter overflow events
	MTBDWT_CTRL[18] = EXCEVTENA = 0, no exception overhead counter events
	MTBDWT_CTRL[17] = CPIEVTENA = 0, no CPI counter overflow events
	MTBDWT_CTRL[16] = EXCTRCENA = 0, generation of exception trace disabled
	MTBDWT_CTRL[12] = PCSAMPLENA = 0, no periodic PC sample packets generated
	MTBDWT_CTRL[11:10] = SYNCTAP = 0, no synchronization packets
	MTBDWT_CTRL[9] = CYCTAP = 0, cycle counter is not supported
	MTBDWT_CTRL[8:5] = POSTINIT = 0, cycle counter is not supported
	MTBDWT_CTRL[4:1] = POSTPRESET = 0, cycle counter is not supported
	MTBDWT_CTRL[0] = CYCCNTENA = 0, cycle counter is not supported

19.32.2 MTB_DWT Comparator Register (MTBDWT_COMPn)

The MTBDWT_COMPn registers provide the reference value for comparator n.

Address: F000_1000h base + 20h offset + (16d × i), where i=0d to 1d

Bit	31	30	29	28	27	26	25	24	23	22	21	20	19	18	17	16	15	14	13	12	11	10	9	8	7	6	5	4	3	2	1	0
R																	COMP															
W																																
Reset	0	0	0	0	0	0	0	0	0	0	0	0	0	0	0	0	0	0	0	0	0	0	0	0	0	0	0	0	0	0	0	0

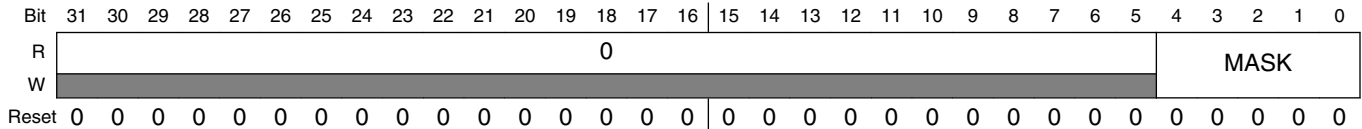
MTBDWT_COMPn field descriptions

Field	Description
31–0 COMP	Reference value for comparison If MTBDWT_COMP0 is used for a data value comparator and the access size is byte or halfword, the data value must be replicated across all appropriate byte lanes of this register. For example, if the data is a byte-sized "x" value, then COMP[31:24] = COMP[23:16] = COMP[15:8] = COMP[7:0] = "x". Likewise, if the data is a halfword-size "y" value, then COMP[31:16] = COMP[15:0] = "y".

19.32.3 MTB_DWT Comparator Mask Register (MTBDWT_MASKn)

The MTBDWT_MASKn registers define the size of the ignore mask applied to the reference address for address range matching by comparator n. Note the format of this mask field is different than the MTB_MASTER[MASK].

Address: F000_1000h base + 24h offset + (16d × i), where i=0d to 1d



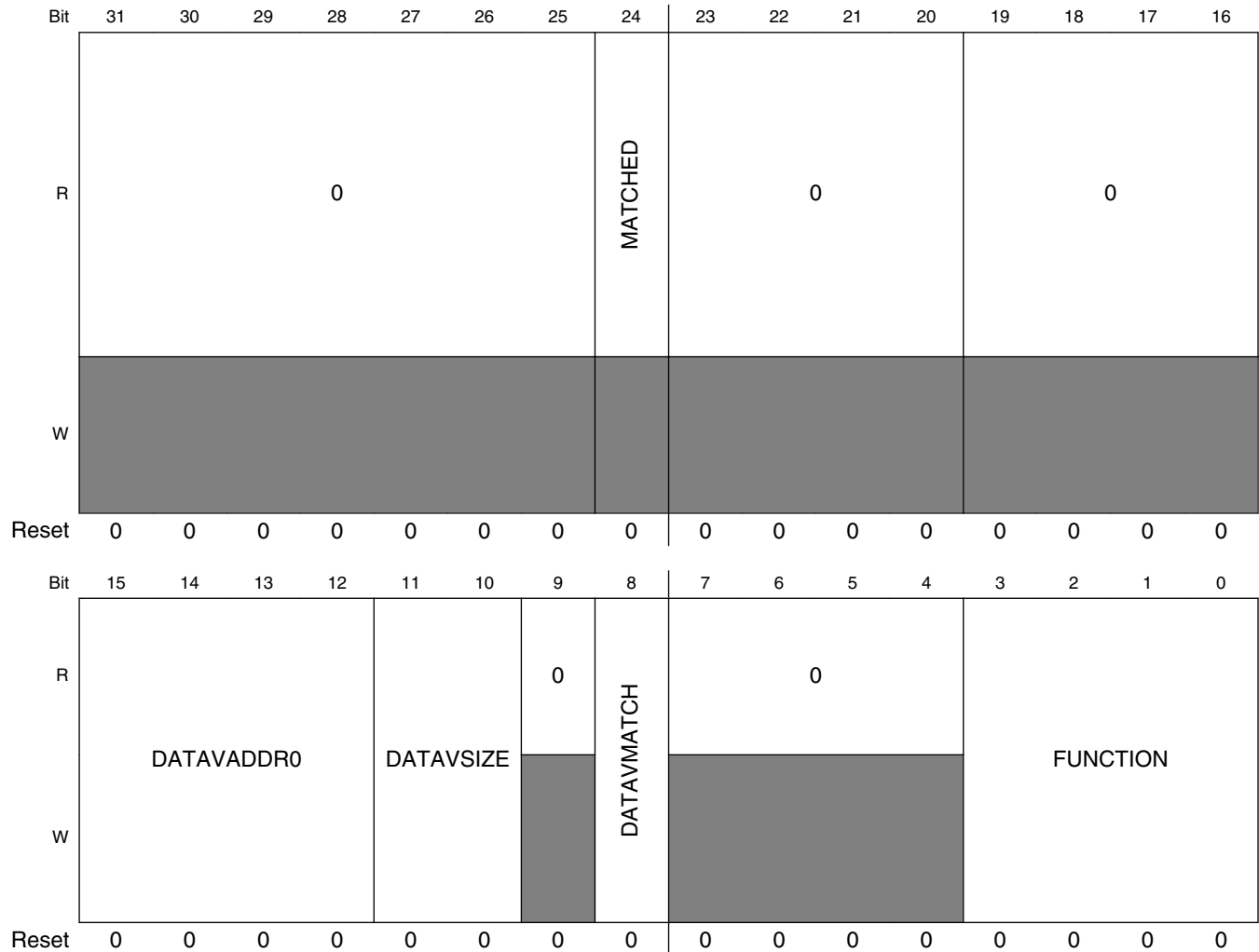
MTBDWT_MASKn field descriptions

Field	Description
31–5 Reserved	This field is reserved. This read-only field is reserved and always has the value 0.
4–0 MASK	<p>MASK</p> <p>The value of the ignore mask, 0-31 bits, is applied to address range matching. MASK = 0 is used to include all bits of the address in the comparison, except if MASK = 0 and the comparator is configured to watch instruction fetch addresses, address bit [0] is ignored by the hardware since all fetches must be at least halfword aligned. For MASK != 0 and regardless of watch type, address bits [x-1:0] are ignored in the address comparison.</p> <p>Using a mask means the comparator matches on a range of addresses, defined by the unmasked most significant bits of the address, bits [31:x]. The maximum MASK value is 24, producing a 16 Mbyte mask. An attempted write of a MASK value > 24 is limited by the MTBDWT hardware to 24.</p> <p>If MTBDWT_COMP0 is used as a data value comparator, then MTBDWT_MASK0 should be programmed to zero.</p>

19.32.4 MTB_DWT Comparator Function Register 0 (MTBDWT_FCT0)

The MTBDWT_FCTn registers control the operation of comparator n.

Address: F000_1000h base + 28h offset = F000_1028h



MTBDWT_FCT0 field descriptions

Field	Description
31–25 Reserved	This field is reserved. This read-only field is reserved and always has the value 0.
24 MATCHED	Comparator match If this read-only flag is asserted, it indicates the operation defined by the FUNCTION field occurred since the last read of the register. Reading the register clears this bit.

Table continues on the next page...

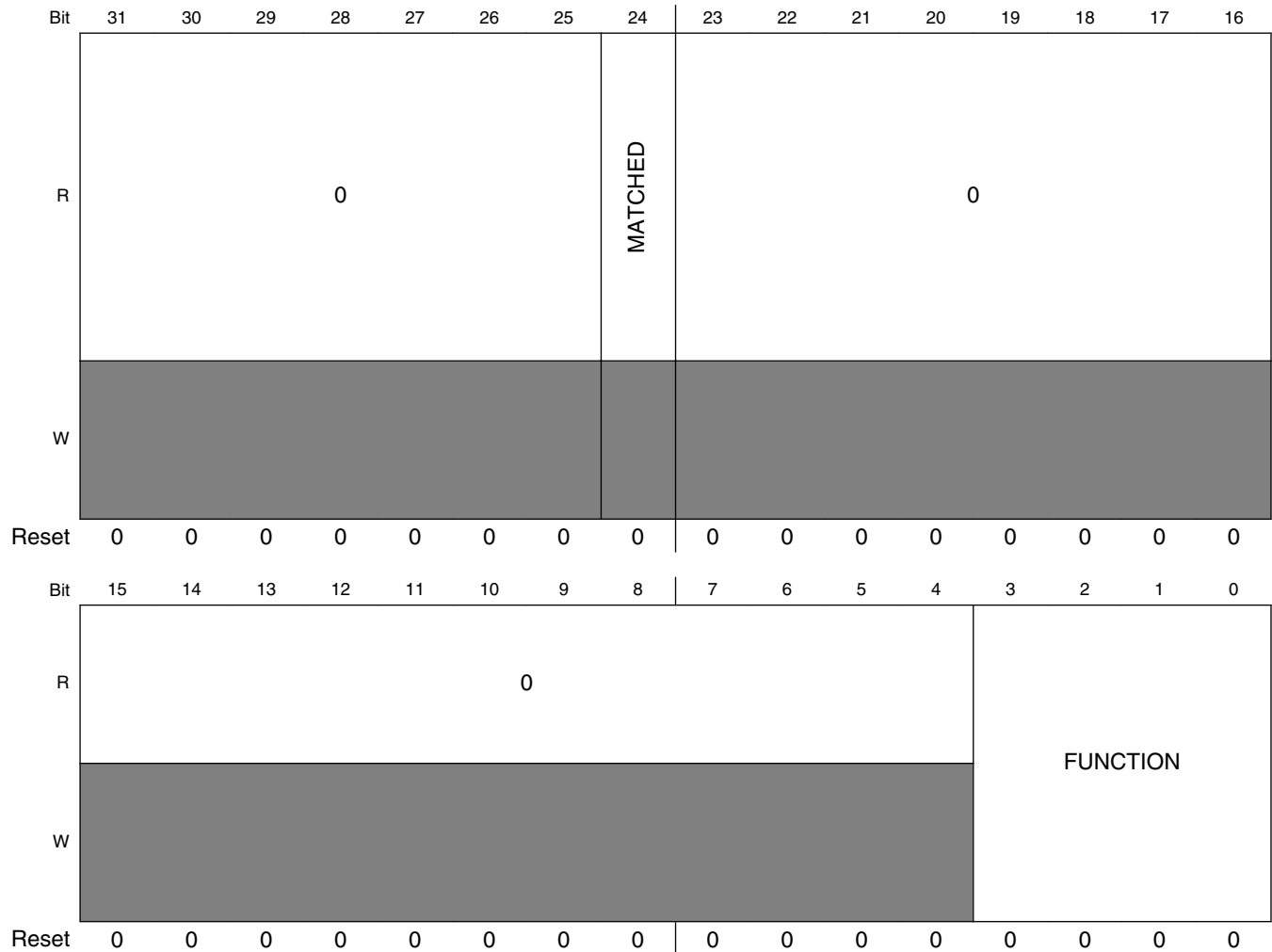
MTBDWT_FCT0 field descriptions (continued)

Field	Description
	0 No match. 1 Match occurred.
23–20 Reserved	This field is reserved. This read-only field is reserved and always has the value 0.
19–16 Reserved	This field is reserved. This read-only field is reserved and always has the value 0.
15–12 DATAVADDR0	Data Value Address 0 Since the MTB_DWT implements two comparators, the DATAVADDR0 field is restricted to values {0,1}. When the DATAVMATCH bit is asserted, this field defines the comparator number to use for linked address comparison. If MTBDWT_COMP0 is used as a data watchpoint and MTBDWT_COMP1 as an address watchpoint, DATAVADDR0 must be set.
11–10 DATAVSIZE	Data Value Size For data value matching, this field defines the size of the required data comparison. 00 Byte. 01 Halfword. 10 Word. 11 Reserved. Any attempts to use this value results in UNPREDICTABLE behavior.
9 Reserved	This field is reserved. This read-only field is reserved and always has the value 0.
8 DATAVMATCH	Data Value Match When this field is 1, it enables data value comparison. For this implementation, MTBDWT_COMP0 supports address or data value comparisons; MTBDWT_COMP1 only supports address comparisons. 0 Perform address comparison. 1 Perform data value comparison.
7–4 Reserved	This field is reserved. This read-only field is reserved and always has the value 0.
3–0 FUNCTION	Function Selects the action taken on a comparator match. If MTBDWT_COMP0 is used for a data value and MTBDWT_COMP1 for an address value, then MTBDWT_FCT1[FUNCTION] must be set to zero. For this configuration, MTBDWT_MASK1 can be set to a non-zero value, so the combined comparators match on a range of addresses. 0000 Disabled. 0100 Instruction fetch. 0101 Data operand read. 0110 Data operand write. 0111 Data operand (read + write). others Reserved. Any attempts to use this value results in UNPREDICTABLE behavior.

19.32.5 MTB_DWT Comparator Function Register 1 (MTBDWT_FCT1)

The MTBDWT_FCTn registers control the operation of comparator n. Since the MTB_DWT only supports data value comparisons on comparator 0, there are several fields in the MTBDWT_FCT1 register that are RAZ/WI (bits 12, 11:10, 8).

Address: F000_1000h base + 38h offset = F000_1038h



MTBDWT_FCT1 field descriptions

Field	Description
31–25 Reserved	This field is reserved. This read-only field is reserved and always has the value 0.
24 MATCHED	Comparator match If this read-only flag is asserted, it indicates the operation defined by the FUNCTION field occurred since the last read of the register. Reading the register clears this bit.

Table continues on the next page...

MTBDWT_FCT1 field descriptions (continued)

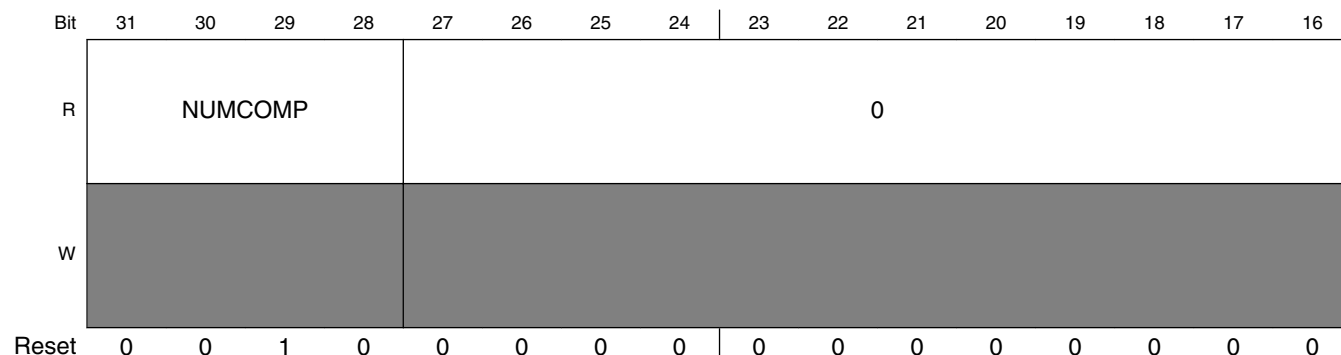
Field	Description
	0 No match. 1 Match occurred.
23–4 Reserved	This field is reserved. This read-only field is reserved and always has the value 0.
3–0 FUNCTION	Function Selects the action taken on a comparator match. If MTBDWT_COMP0 is used for a data value and MTBDWT_COMP1 for an address value, then MTBDWT_FCT1[FUNCTION] must be set to zero. For this configuration, MTBDWT_MASK1 can be set to a non-zero value, so the combined comparators match on a range of addresses. 0000 Disabled. 0100 Instruction fetch. 0101 Data operand read. 0110 Data operand write. 0111 Data operand (read + write). others Reserved. Any attempts to use this value results in UNPREDICTABLE behavior.

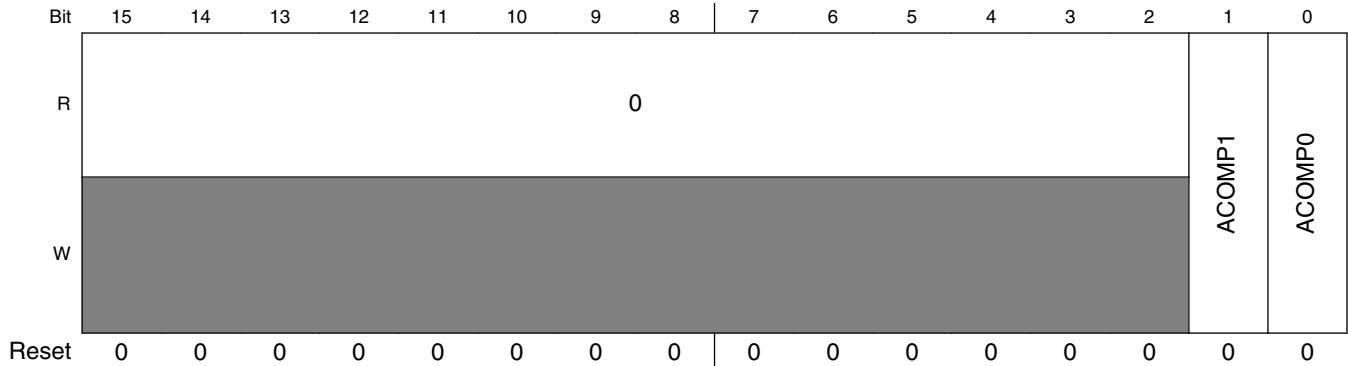
19.32.6 MTB_DWT Trace Buffer Control Register (MTBDWT_TBCTRL)

The MTBDWT_TBCTRL register defines how the watchpoint comparisons control the actual trace buffer operation.

Recall the MTB supports starting and stopping the program trace based on the watchpoint comparisons signaled via TSTART and TSTOP. The watchpoint comparison signals are enabled in the MTB's control logic by setting the appropriate enable bits, MTB_MASTER[TSTARTEN, TSTOPEN]. In the event of simultaneous assertion of both TSTART and TSTOP, TSTART takes priority.

Address: F000_1000h base + 200h offset = F000_1200h





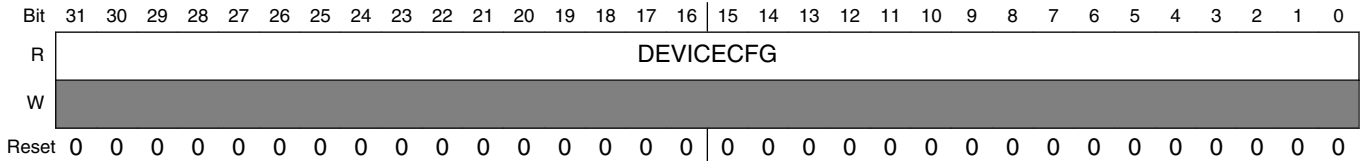
MTBDWT_TBCTRL field descriptions

Field	Description
31–28 NUMCOMP	Number of Comparators This read-only field specifies the number of comparators in the MTB_DWT. This implementation includes two registers.
27–2 Reserved	This field is reserved. This read-only field is reserved and always has the value 0.
1 ACOMP1	Action based on Comparator 1 match When the MTBDWT_FCT1[MATCHED] is set, it indicates MTBDWT_COMP1 address compare has triggered and the trace buffer's recording state is changed. 0 Trigger TSTOP based on the assertion of MTBDWT_FCT1[MATCHED]. 1 Trigger TSTART based on the assertion of MTBDWT_FCT1[MATCHED].
0 ACOMP0	Action based on Comparator 0 match When the MTBDWT_FCT0[MATCHED] is set, it indicates MTBDWT_COMP0 address compare has triggered and the trace buffer's recording state is changed. The assertion of MTBDWT_FCT0[MATCHED] is caused by the following conditions: <ul style="list-style-type: none"> • Address match in MTBDWT_COMP0 when MTBDWT_FCT0[DATAVMATCH] = 0 • Data match in MTBDWT_COMP0 when MTBDWT_FCT0[DATAVMATCH, DATAVADDR0] = {1,0} • Data match in MTBDWT_COMP0 and address match in MTBDWT_COMP1 when MTBDWT_FCT0[DATAVMATCH, DATAVADDR0] = {1,1} 0 Trigger TSTOP based on the assertion of MTBDWT_FCT0[MATCHED]. 1 Trigger TSTART based on the assertion of MTBDWT_FCT0[MATCHED].

19.32.7 Device Configuration Register (MTBDWT_DEVICECFG)

This register indicates the device configuration. It is hardwired to specific values used during the auto-discovery process by an external debug agent.

Address: F000_1000h base + FC8h offset = F000_1FC8h



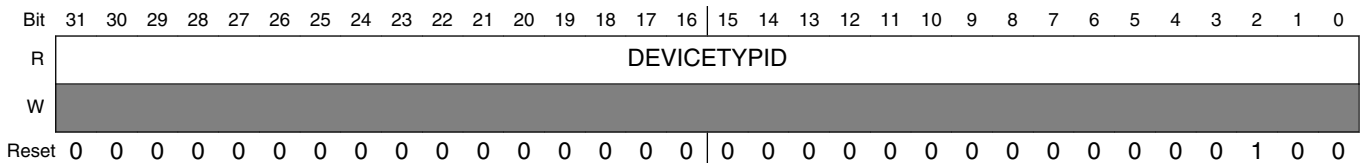
MTBDWT_DEVICECFG field descriptions

Field	Description
31–0 DEVICECFG	Hardwired to 0x0000_0000.

19.32.8 Device Type Identifier Register (MTBDWT_DEVICETYPID)

This register indicates the device type ID. It is hardwired to specific values used during the auto-discovery process by an external debug agent.

Address: F000_1000h base + FCCh offset = F000_1FCCh



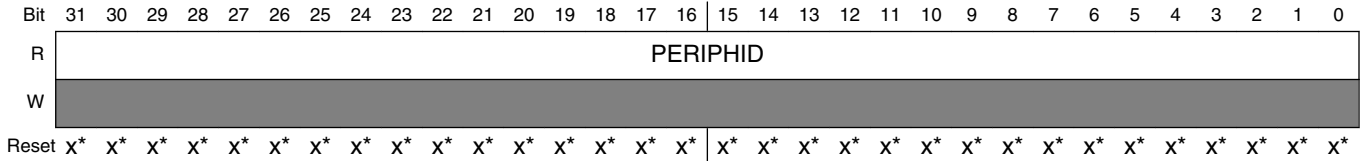
MTBDWT_DEVICETYPID field descriptions

Field	Description
31–0 DEVICETYPID	Hardwired to 0x0000_0004.

19.32.9 Peripheral ID Register (MTBDWT_PERIPHID_n)

These registers indicate the peripheral IDs. They are hardwired to specific values used during the auto-discovery process by an external debug agent.

Address: F000_1000h base + FD0h offset + (4d × i), where i=0d to 7d



* Notes:

- See field descriptions for the reset values. x = Undefined at reset.

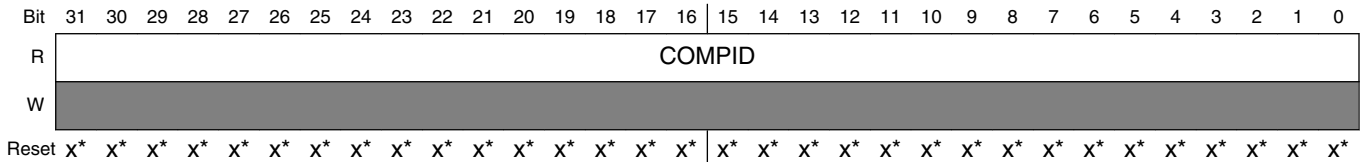
MTBDWT_PERIPHID_n field descriptions

Field	Description
31–0 PERIPHID	Peripheral ID1 is hardwired to 0x0000_00E0; ID2 to 0x0000_0008; and all the others to 0x0000_0000.

19.32.10 Component ID Register (MTBDWT_COMPID_n)

These registers indicate the component IDs. They are hardwired to specific values used during the auto-discovery process by an external debug agent.

Address: F000_1000h base + FF0h offset + (4d × i), where i=0d to 3d



* Notes:

- See field descriptions for the reset values.x = Undefined at reset.

MTBDWT_COMPID_n field descriptions

Field	Description
31–0 COMPID	Component ID Component ID0 is hardwired to 0x0000_000D; ID1 to 0x0000_0090; ID2 to 0x0000_0005; ID3 to 0x0000_00B1.

19.3.3 System ROM Memory Map

The System ROM Table registers are also mapped into a sparsely-populated 4 KB address space.

For core configurations like that supported by Cortex-M0+, ARM recommends that a debugger identifies and connects to the debug components using the CoreSight debug infrastructure.

ARM recommends that a debugger follows the flow as shown in the following figure to discover the components in the CoreSight debug infrastructure. In this case, a debugger reads the peripheral and component ID registers for each CoreSight component in the CoreSight system.

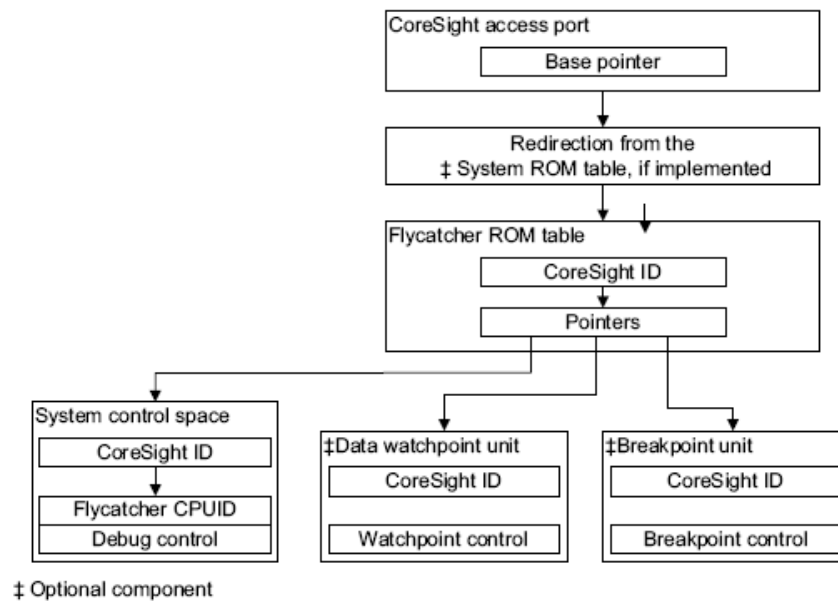


Figure 19-56. CoreSight discovery process

ROM memory map

Absolute address (hex)	Register name	Width (in bits)	Access	Reset value	Section/ page
F000_2000	Entry (ROM_ENTRY0)	32	R	See section	19.33.1/331
F000_2004	Entry (ROM_ENTRY1)	32	R	See section	19.33.1/331
F000_2008	Entry (ROM_ENTRY2)	32	R	See section	19.33.1/331
F000_200C	End of Table Marker Register (ROM_TABLEMARK)	32	R	0000_0000h	19.33.2/332
F000_2FCC	System Access Register (ROM_SYSACCESS)	32	R	0000_0001h	19.33.3/332
F000_2FD0	Peripheral ID Register (ROM_PERIPHID4)	32	R	See section	19.33.4/333
F000_2FD4	Peripheral ID Register (ROM_PERIPHID5)	32	R	See section	19.33.4/333
F000_2FD8	Peripheral ID Register (ROM_PERIPHID6)	32	R	See section	19.33.4/333

Table continues on the next page...

ROM memory map (continued)

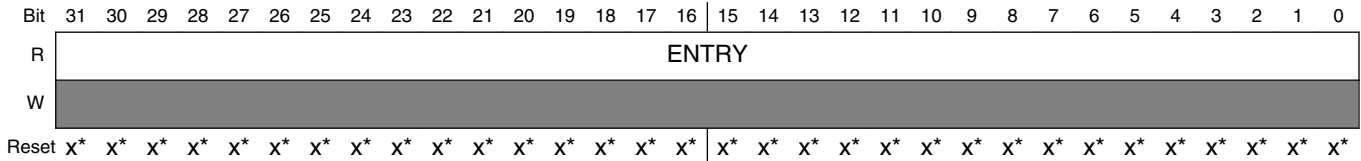
Absolute address (hex)	Register name	Width (in bits)	Access	Reset value	Section/page
F000_2FDC	Peripheral ID Register (ROM_PERIPHID7)	32	R	See section	19.33.4/333
F000_2FE0	Peripheral ID Register (ROM_PERIPHID0)	32	R	See section	19.33.4/333
F000_2FE4	Peripheral ID Register (ROM_PERIPHID1)	32	R	See section	19.33.4/333
F000_2FE8	Peripheral ID Register (ROM_PERIPHID2)	32	R	See section	19.33.4/333
F000_2FEC	Peripheral ID Register (ROM_PERIPHID3)	32	R	See section	19.33.4/333
F000_2FF0	Component ID Register (ROM_COMPID0)	32	R	See section	19.33.5/333
F000_2FF4	Component ID Register (ROM_COMPID1)	32	R	See section	19.33.5/333
F000_2FF8	Component ID Register (ROM_COMPID2)	32	R	See section	19.33.5/333
F000_2FFC	Component ID Register (ROM_COMPID3)	32	R	See section	19.33.5/333

19.33.1 Entry (ROM_ENTRY n)

The System ROM Table begins with "n" relative 32-bit addresses, one for each debug component present in the device and terminating with an all-zero value signaling the end of the table at the "n+1"-th value.

It is hardwired to specific values used during the auto-discovery process by an external debug agent.

Address: F000_2000h base + 0h offset + (4d × i), where i=0d to 2d



* Notes:

- See field descriptions for reset values.x = Undefined at reset.

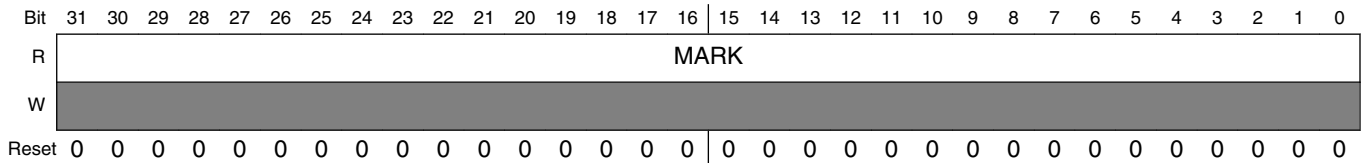
ROM_ENTRY n field descriptions

Field	Description
31–0 ENTRY	ENTRY Entry 0 (MTB) is hardwired to 0xFFFF_E003; Entry 1 (MTBDWT) to 0xFFFF_F003; Entry 2 (CM0+ ROM Table) to 0xF00F_D003.

19.33.2 End of Table Marker Register (ROM_TABLEMARK)

This register indicates end of table marker. It is hardwired to specific values used during the auto-discovery process by an external debug agent.

Address: F000_2000h base + Ch offset = F000_200Ch



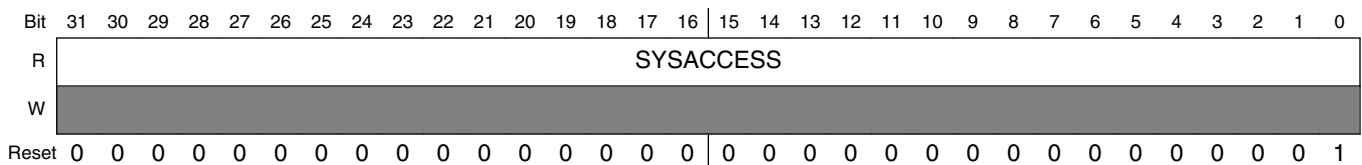
ROM_TABLEMARK field descriptions

Field	Description
31-0 MARK	Hardwired to 0x0000_0000

19.33.3 System Access Register (ROM_SYSACCESS)

This register indicates system access. It is hardwired to specific values used during the auto-discovery process by an external debug agent.

Address: F000_2000h base + FCCh offset = F000_2FCCh



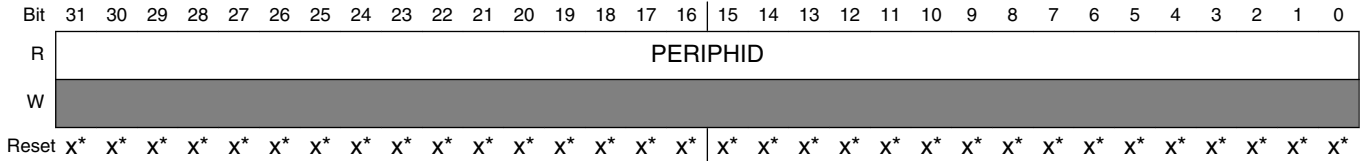
ROM_SYSACCESS field descriptions

Field	Description
31-0 SYSACCESS	Hardwired to 0x0000_0001

19.33.4 Peripheral ID Register (ROM_PERIPHID_n)

These registers indicate the peripheral IDs. They are hardwired to specific values used during the auto-discovery process by an external debug agent.

Address: F000_2000h base + FD0h offset + (4d × i), where i=0d to 7d



* Notes:

- See field descriptions for reset values.x = Undefined at reset.

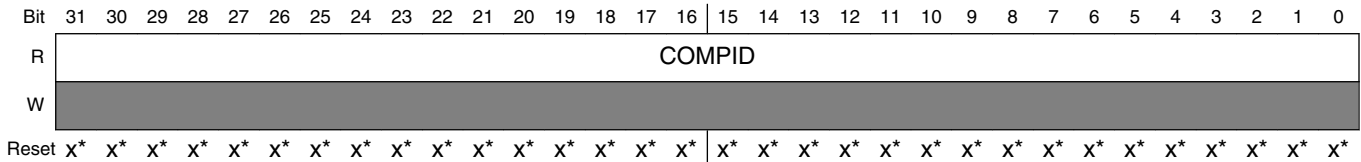
ROM_PERIPHID_n field descriptions

Field	Description
31–0 PERIPHID	Peripheral ID1 is hardwired to 0x0000_00E0; ID2 to 0x0000_0008; and all the others to 0x0000_0000.

19.33.5 Component ID Register (ROM_COMPID_n)

These registers indicate the component IDs. They are hardwired to specific values used during the auto-discovery process by an external debug agent.

Address: F000_2000h base + FF0h offset + (4d × i), where i=0d to 3d



* Notes:

- See field descriptions for reset values.x = Undefined at reset.

ROM_COMPID_n field descriptions

Field	Description
31–0 COMPID	Component ID Component ID0 is hardwired to 0x0000_000D; ID1 to 0x0000_0010; ID2 to 0x0000_0005; ID3 to 0x0000_00B1.

Chapter 20

Crossbar Switch Lite (AXBS-Lite)

20.1 Introduction

NOTE

For the chip-specific implementation details of this module's instances, see the chip configuration information.

This chapter provides information on the layout, configuration, and programming of the crossbar switch. The crossbar switch connects bus masters and bus slaves using a crossbar switch structure. This structure allows up to four bus masters to access different bus slaves simultaneously, while providing arbitration among the bus masters when they access the same slave.

20.1.1 Features

The crossbar switch includes these features:

- Symmetric crossbar bus switch implementation
 - Allows concurrent accesses from different masters to different slaves
- 32-bit data bus
- Operation at a 1-to-1 clock frequency with the bus masters
- Programmable configuration for fixed-priority or round-robin slave port arbitration

20.2 Memory Map / Register Definition

This crossbar switch is designed for minimal gate count. It, therefore, has no memory-mapped configuration registers.

20.3 Functional Description

20.3.1 General operation

When a master accesses the crossbar switch the access is immediately taken. If the targeted slave port of the access is available, then the access is immediately presented on the slave port. Single-clock or zero-wait-state accesses are possible through the crossbar. If the targeted slave port of the access is busy or parked on a different master port, the requesting master simply sees wait states inserted until the targeted slave port can service the master's request. The latency in servicing the request depends on each master's priority level and the responding slave's access time.

Because the crossbar switch appears to be just another slave to the master device, the master device has no knowledge of whether it actually owns the slave port it is targeting. While the master does not have control of the slave port it is targeting, it simply waits.

A master is given control of the targeted slave port only after a previous access to a different slave port completes, regardless of its priority on the newly targeted slave port. This prevents deadlock from occurring when:

- A higher priority master has:
 - An outstanding request to one slave port that has a long response time and
 - A pending access to a different slave port, and
- A lower priority master is also making a request to the same slave port as the pending access of the higher priority master.

After the master has control of the slave port it is targeting, the master remains in control of the slave port until it relinquishes the slave port by running an IDLE cycle or by targeting a different slave port for its next access.

The master can also lose control of the slave port if another higher-priority master makes a request to the slave port.

The crossbar terminates all master IDLE transfers, as opposed to allowing the termination to come from one of the slave buses. Additionally, when no master is requesting access to a slave port, the crossbar drives IDLE transfers onto the slave bus, even though a default master may be granted access to the slave port.

When a slave bus is being idled by the crossbar, it remains parked with the last master to use the slave port. This is done to save the initial clock of arbitration delay that otherwise would be seen if the master had to arbitrate to gain control of the slave port.

20.3.2 Arbitration

The crossbar switch supports two arbitration algorithms:

- Fixed priority
- Round-robin

The selection of the global slave port arbitration is controlled by MCM_PLACR[ARB]. For fixed priority, set ARB to 0. For round robin, set ARB to 1. This arbitration setting applies to all slave ports.

20.3.2.1 Arbitration During Undefined Length Bursts

All lengths of burst accesses lock out arbitration until the last beat of the burst.

20.3.2.2 Fixed-priority operation

When operating in fixed-priority mode, each master is assigned a unique priority level with the highest numbered master having the highest priority (master 1 has lower priority than master 3). If two masters request access to the same slave port, the master with the highest priority gains control over the slave port.

NOTE

In this arbitration mode, a higher-priority master can monopolize a slave port, preventing accesses from any lower-priority master to the port.

When a master makes a request to a slave port, the slave port checks whether the new requesting master's priority level is higher than that of the master that currently has control over the slave port, unless the slave port is in a parked state. The slave port performs an arbitration check at every clock edge to ensure that the proper master, if any, has control of the slave port.

The following table describes possible scenarios based on the requesting master port:

Table 20-1. How AXBS grants control of a slave port to a master

When	Then AXBS grants control to the requesting master
Both of the following are true: <ul style="list-style-type: none"> • The current master is not running a transfer. • The new requesting master's priority level is higher than that of the current master. 	At the next clock edge
The requesting master's priority level is lower than the current master.	At the conclusion of one of the following cycles: <ul style="list-style-type: none"> • An IDLE cycle • A non-IDLE cycle to a location other than the current slave port

20.3.2.3 Round-robin priority operation

When operating in round-robin mode, each master is assigned a relative priority based on the master port number. This relative priority is compared to the master port number (ID) of the last master to perform a transfer on the slave bus. The highest priority requesting master becomes owner of the slave bus at the next transfer boundary. Priority is based on how far ahead the ID of the requesting master is to the ID of the last master.

After granted access to a slave port, a master may perform as many transfers as desired to that port until another master makes a request to the same slave port. The next master in line is granted access to the slave port at the next transfer boundary, or possibly on the next clock cycle if the current master has no pending access request.

As an example of arbitration in round-robin mode, assume the crossbar is implemented with master ports 0, 1, 4, and 5. If the last master of the slave port was master 1, and master 0, 4, and 5 make simultaneous requests, they are serviced in the order: 4 then 5 then 0.

The round-robin arbitration mode generally provides a more fair allocation of the available slave-port bandwidth (compared to fixed priority) as the fixed master priority does not affect the master selection.

20.4 Initialization/application information

No initialization is required for the crossbar switch. See the AXBS section of the configuration chapter for the reset state of the arbitration scheme.

Chapter 21

Peripheral Bridge (AIPS-Lite)

21.1 Introduction

NOTE

For the chip-specific implementation details of this module's instances, see the chip configuration information.

The peripheral bridge converts the crossbar switch interface to an interface that can access most of the slave peripherals on this chip.

The peripheral bridge occupies 64 MB of the address space, which is divided into peripheral slots of 4 KB . (It might be possible that all the peripheral slots are not used. See the memory map chapter for details on slot assignments.) The bridge includes separate clock enable inputs for each of the slots to accommodate slower peripherals.

21.1.1 Features

Key features of the peripheral bridge are:

- Supports peripheral slots with 8-, 16-, and 32-bit datapath width

21.1.2 General operation

The slave devices connected to the peripheral bridge are modules which contain a programming model of control and status registers. The system masters read and write these registers through the peripheral bridge. The peripheral bridge performs a bus protocol conversion of the master transactions and generates the following as inputs to the peripherals:

- Module enables
- Module addresses

Functional description

- Transfer attributes
- Byte enables
- Write data

The peripheral bridge selects and captures read data from the peripheral interface and returns it to the crossbar switch.

The register maps of the peripherals are located on 4-KB boundaries. Each peripheral is allocated one or more 4-KB block(s) of the memory map.

The AIPS-Lite module uses the data width of accessed peripheral to perform proper data byte lane routing; bus decomposition (bus sizing) is performed when the access size is larger than the peripheral's data width.

21.2 Functional description

The peripheral bridge functions as a bus protocol translator between the crossbar switch and the slave peripheral bus.

The peripheral bridge manages all transactions destined for the attached slave devices and generates select signals for modules on the peripheral bus by decoding accesses within the attached address space.

21.2.1 Access support

All combinations of access size and peripheral data port width are supported. An access that is larger than the target peripheral's data width will be decomposed to multiple, smaller accesses. Bus decomposition is terminated by a transfer error caused by an access to an empty register area.

Chapter 22

Direct Memory Access Multiplexer (DMAMUX)

22.1 Introduction

NOTE

For the chip-specific implementation details of this module's instances, see the chip configuration information.

22.1.1 Overview

The direct memory access multiplexer (DMAMUX) routes DMA sources, called slots, to any of the four DMA channels. This process is illustrated in the following figure.

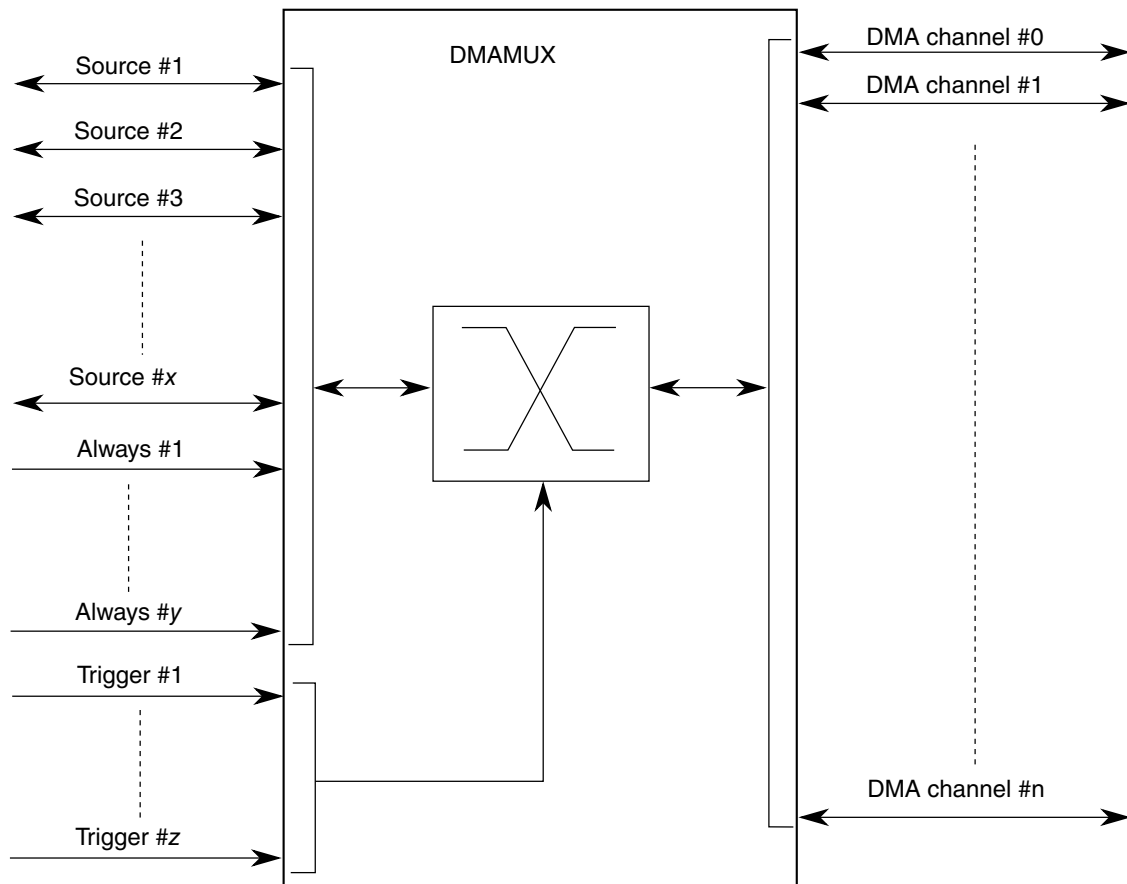


Figure 22-1. DMAMUX block diagram

22.1.2 Features

The DMAMUX module provides these features:

- Up to 63 peripheral slots and up to four always-on slots can be routed to four channels.
- four independently selectable DMA channel routers.
 - The first two channels additionally provide a trigger functionality.
- Each channel router can be assigned to one of the possible peripheral DMA slots or to one of the always-on slots.

22.1.3 Modes of operation

The following operating modes are available:

- Disabled mode

In this mode, the DMA channel is disabled. Because disabling and enabling of DMA channels is done primarily via the DMA configuration registers, this mode is used mainly as the reset state for a DMA channel in the DMA channel MUX. It may also be used to temporarily suspend a DMA channel while reconfiguration of the system takes place, for example, changing the period of a DMA trigger.

- Normal mode

In this mode, a DMA source is routed directly to the specified DMA channel. The operation of the DMAMUX in this mode is completely transparent to the system.

- Periodic Trigger mode

In this mode, a DMA source may only request a DMA transfer, such as when a transmit buffer becomes empty or a receive buffer becomes full, periodically. Configuration of the period is done in the registers of the periodic interrupt timer (PIT). This mode is available only for channels 0–1.

22.2 External signal description

The DMAMUX has no external pins.

22.3 Memory map/register definition

This section provides a detailed description of all memory-mapped registers in the DMAMUX.

DMAMUX memory map

Absolute address (hex)	Register name	Width (in bits)	Access	Reset value	Section/page
4002_1000	Channel Configuration register (DMAMUX0_CHCFG0)	8	R/W	00h	22.3.1/344
4002_1001	Channel Configuration register (DMAMUX0_CHCFG1)	8	R/W	00h	22.3.1/344
4002_1002	Channel Configuration register (DMAMUX0_CHCFG2)	8	R/W	00h	22.3.1/344
4002_1003	Channel Configuration register (DMAMUX0_CHCFG3)	8	R/W	00h	22.3.1/344

22.3.1 Channel Configuration register (DMAMUXx_CHCFGn)

Each of the DMA channels can be independently enabled/disabled and associated with one of the DMA slots (peripheral slots or always-on slots) in the system.

NOTE

Setting multiple CHCFG registers with the same source value will result in unpredictable behavior.

Before changing the trigger or source settings, a DMA channel must be disabled via the CHCFGn[ENBL] bit.

Address: 4002_1000h base + 0h offset + (1d × i), where i=0d to 3d

Bit	0	1	2	3	4	5	6	7
Read	ENBL	TRIG	SOURCE					
Write								
Reset	0	0	0	0	0	0	0	0

DMAMUXx_CHCFGn field descriptions

Field	Description
0 ENBL	<p>DMA Channel Enable</p> <p>Enables the DMA channel.</p> <p>0 DMA channel is disabled. This mode is primarily used during configuration of the DMAMux. The DMA has separate channel enables/disables, which should be used to disable or reconfigure a DMA channel.</p> <p>1 DMA channel is enabled</p>
1 TRIG	<p>DMA Channel Trigger Enable</p> <p>Enables the periodic trigger capability for the triggered DMA channel.</p> <p>0 Triggering is disabled. If triggering is disabled and the ENBL bit is set, the DMA Channel will simply route the specified source to the DMA channel. (Normal mode)</p> <p>1 Triggering is enabled. If triggering is enabled and the ENBL bit is set, the DMAMUX is in Periodic Trigger mode.</p>
2-7 SOURCE	<p>DMA Channel Source (Slot)</p> <p>Specifies which DMA source, if any, is routed to a particular DMA channel. See your device's chip configuration details for information about the peripherals and their slot numbers.</p>

22.4 Functional description

The primary purpose of the DMAMUX is to provide flexibility in the system's use of the available DMA channels. As such, configuration of the DMAMUX is intended to be a static procedure done during execution of the system boot code. However, if the procedure outlined in [Enabling and configuring sources](#) is followed, the configuration of the DMAMUX may be changed during the normal operation of the system.

Functionally, the DMAMUX channels may be divided into two classes:

- Channels that implement the normal routing functionality plus periodic triggering capability
- Channels that implement only the normal routing functionality

22.4.1 DMA channels with periodic triggering capability

Besides the normal routing functionality, the first 2 channels of the DMAMUX provide a special periodic triggering capability that can be used to provide an automatic mechanism to transmit bytes, frames, or packets at fixed intervals without the need for processor intervention. The trigger is generated by the periodic interrupt timer (PIT); as such, the configuration of the periodic triggering interval is done via configuration registers in the PIT. See the section on periodic interrupt timer for more information on this topic.

Note

Because of the dynamic nature of the system (due to DMA channel priorities, bus arbitration, interrupt service routine lengths, etc.), the number of clock cycles between a trigger and the actual DMA transfer cannot be guaranteed.

Functional description

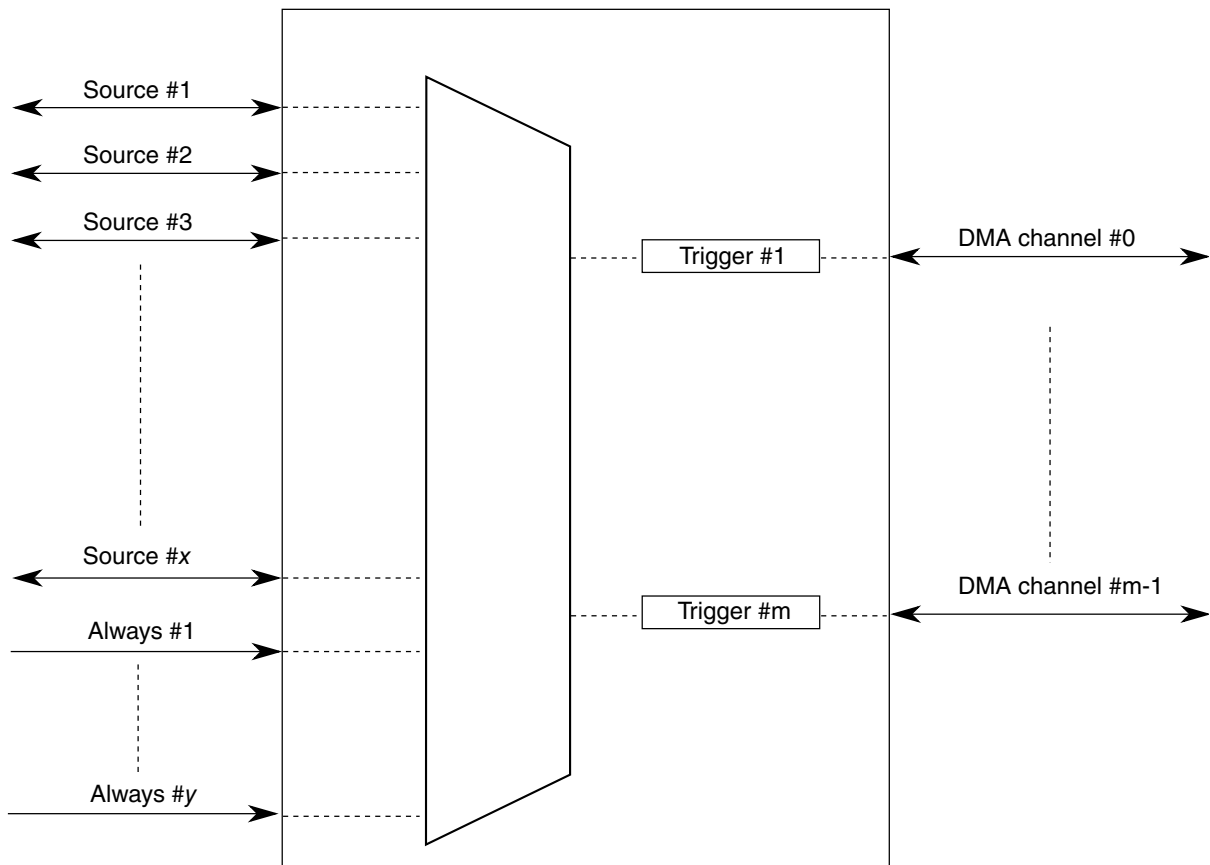


Figure 22-12. DMAMUX triggered channels

The DMA channel triggering capability allows the system to schedule regular DMA transfers, usually on the transmit side of certain peripherals, without the intervention of the processor. This trigger works by gating the request from the peripheral to the DMA until a trigger event has been seen. This is illustrated in the following figure.

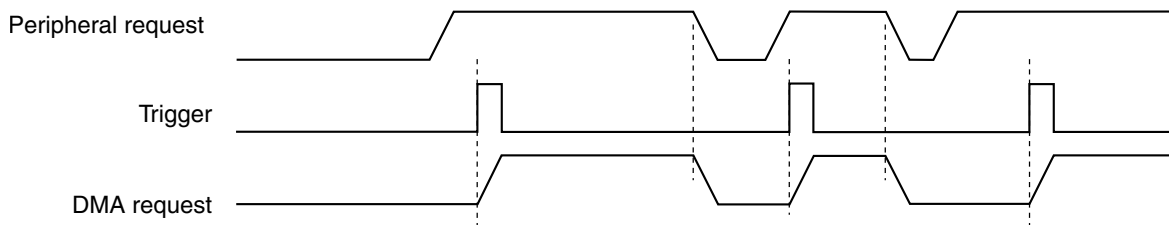


Figure 22-13. DMAMUX channel triggering: normal operation

After the DMA request has been serviced, the peripheral will negate its request, effectively resetting the gating mechanism until the peripheral reasserts its request and the next trigger event is seen. This means that if a trigger is seen, but the peripheral is not requesting a transfer, then that trigger will be ignored. This situation is illustrated in the following figure.

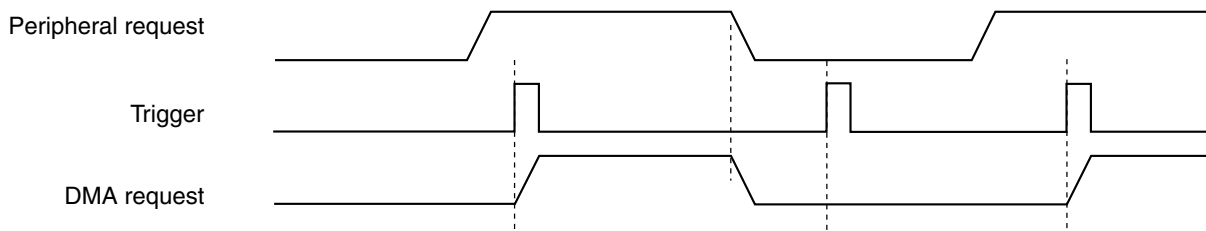


Figure 22-14. DMAMUX channel triggering: ignored trigger

This triggering capability may be used with any peripheral that supports DMA transfers, and is most useful for two types of situations:

- Periodically polling external devices on a particular bus

As an example, the transmit side of an SPI is assigned to a DMA channel with a trigger, as described above. After it has been set up, the SPI will request DMA transfers, presumably from memory, as long as its transmit buffer is empty. By using a trigger on this channel, the SPI transfers can be automatically performed every 5 μs (as an example). On the receive side of the SPI, the SPI and DMA can be configured to transfer receive data into memory, effectively implementing a method to periodically read data from external devices and transfer the results into memory without processor intervention.

- Using the GPIO ports to drive or sample waveforms

By configuring the DMA to transfer data to one or more GPIO ports, it is possible to create complex waveforms using tabular data stored in on-chip memory. Conversely, using the DMA to periodically transfer data from one or more GPIO ports, it is possible to sample complex waveforms and store the results in tabular form in on-chip memory.

A more detailed description of the capability of each trigger, including resolution, range of values, and so on, may be found in the periodic interrupt timer section.

22.4.2 DMA channels with no triggering capability

The other channels of the DMAMUX provide the normal routing functionality as described in [Modes of operation](#).

22.4.3 Always-enabled DMA sources

In addition to the peripherals that can be used as DMA sources, there are four additional DMA sources that are always enabled. Unlike the peripheral DMA sources, where the peripheral controls the flow of data during DMA transfers, the sources that are always enabled provide no such "throttling" of the data transfers. These sources are most useful in the following cases:

- Performing DMA transfers to/from GPIO—Moving data from/to one or more GPIO pins, either unthrottled (that is, as fast as possible), or periodically (using the DMA triggering capability).
- Performing DMA transfers from memory to memory—Moving data from memory to memory, typically as fast as possible, sometimes with software activation.
- Performing DMA transfers from memory to the external bus, or vice-versa—Similar to memory to memory transfers, this is typically done as quickly as possible.
- Any DMA transfer that requires software activation—Any DMA transfer that should be explicitly started by software.

In cases where software should initiate the start of a DMA transfer, an always-enabled DMA source can be used to provide maximum flexibility. When activating a DMA channel via software, subsequent executions of the minor loop require that a new start event be sent. This can either be a new software activation, or a transfer request from the DMA channel MUX. The options for doing this are:

- Transfer all data in a single minor loop.

By configuring the DMA to transfer all of the data in a single minor loop (that is, major loop counter = 1), no reactivation of the channel is necessary. The disadvantage to this option is the reduced granularity in determining the load that the DMA transfer will impose on the system. For this option, the DMA channel must be disabled in the DMA channel MUX.

- Use explicit software reactivation.

In this option, the DMA is configured to transfer the data using both minor and major loops, but the processor is required to reactivate the channel by writing to the DMA registers *after every minor loop*. For this option, the DMA channel must be disabled in the DMA channel MUX.

- Use an always-enabled DMA source.

In this option, the DMA is configured to transfer the data using both minor and major loops, and the DMA channel MUX does the channel reactivation. For this option, the DMA channel should be enabled and pointing to an "always enabled" source. Note that the reactivation of the channel can be continuous (DMA triggering is disabled) or can use the DMA triggering capability. In this manner, it is possible to execute periodic transfers of packets of data from one source to another, without processor intervention.

22.5 Initialization/application information

This section provides instructions for initializing the DMA channel MUX.

22.5.1 Reset

The reset state of each individual bit is shown in [Memory map/register definition](#). In summary, after reset, all channels are disabled and must be explicitly enabled before use.

22.5.2 Enabling and configuring sources

To enable a source with periodic triggering:

1. Determine with which DMA channel the source will be associated. Note that only the first 2 DMA channels have periodic triggering capability.
2. Clear the CHCFG[ENBL] and CHCFG[TRIG] fields of the DMA channel.
3. Ensure that the DMA channel is properly configured in the DMA. The DMA channel may be enabled at this point.
4. Configure the corresponding timer.
5. Select the source to be routed to the DMA channel. Write to the corresponding CHCFG register, ensuring that the CHCFG[ENBL] and CHCFG[TRIG] fields are set.

NOTE

The following is an example. See the chip configuration details for the number of this device's DMA channels that have triggering capability.

To configure source #5 transmit for use with DMA channel 1, with periodic triggering capability:

1. Write 0x00 to CHCFG1 (base address + 0x01).

2. Configure channel 1 in the DMA, including enabling the channel.
3. Configure a timer for the desired trigger interval.
4. Write 0xC5 to CHCFG1 (base address + 0x01).

The following code example illustrates steps 1 and 4 above:

```
In File registers.h:
#define DMAMUX_BASE_ADDR      0xFC084000/* Example only ! */
/* Following example assumes char is 8-bits */
volatile unsigned char *CHCONFIG0 = (volatile unsigned char *) (DMAMUX_BASE_ADDR+0x0000);
volatile unsigned char *CHCONFIG1 = (volatile unsigned char *) (DMAMUX_BASE_ADDR+0x0001);
volatile unsigned char *CHCONFIG2 = (volatile unsigned char *) (DMAMUX_BASE_ADDR+0x0002);
volatile unsigned char *CHCONFIG3 = (volatile unsigned char *) (DMAMUX_BASE_ADDR+0x0003);
volatile unsigned char *CHCONFIG4 = (volatile unsigned char *) (DMAMUX_BASE_ADDR+0x0004);
volatile unsigned char *CHCONFIG5 = (volatile unsigned char *) (DMAMUX_BASE_ADDR+0x0005);
volatile unsigned char *CHCONFIG6 = (volatile unsigned char *) (DMAMUX_BASE_ADDR+0x0006);
volatile unsigned char *CHCONFIG7 = (volatile unsigned char *) (DMAMUX_BASE_ADDR+0x0007);
volatile unsigned char *CHCONFIG8 = (volatile unsigned char *) (DMAMUX_BASE_ADDR+0x0008);
volatile unsigned char *CHCONFIG9 = (volatile unsigned char *) (DMAMUX_BASE_ADDR+0x0009);
volatile unsigned char *CHCONFIG10= (volatile unsigned char *) (DMAMUX_BASE_ADDR+0x000A);
volatile unsigned char *CHCONFIG11= (volatile unsigned char *) (DMAMUX_BASE_ADDR+0x000B);
volatile unsigned char *CHCONFIG12= (volatile unsigned char *) (DMAMUX_BASE_ADDR+0x000C);
volatile unsigned char *CHCONFIG13= (volatile unsigned char *) (DMAMUX_BASE_ADDR+0x000D);
volatile unsigned char *CHCONFIG14= (volatile unsigned char *) (DMAMUX_BASE_ADDR+0x000E);
volatile unsigned char *CHCONFIG15= (volatile unsigned char *) (DMAMUX_BASE_ADDR+0x000F);

In File main.c:
#include "registers.h"
:
:
*CHCONFIG1 = 0x00;
*CHCONFIG1 = 0xC5;
```

To enable a source without periodic triggering:

1. Determine with which DMA channel the source will be associated. Note that only the first 2 DMA channels have periodic triggering capability.
2. Clear the CHCFG[ENBL] and CHCFG[TRIG] fields of the DMA channel.
3. Ensure that the DMA channel is properly configured in the DMA. The DMA channel may be enabled at this point.
4. Select the source to be routed to the DMA channel. Write to the corresponding CHCFG register, ensuring that CHCFG[ENBL] is set while CHCFG[TRIG] is cleared.

NOTE

The following is an example. See the chip configuration details for the number of this device's DMA channels that have triggering capability.

To configure source #5 transmit for use with DMA channel 1, with no periodic triggering capability:

1. Write 0x00 to CHCFG1 (base address + 0x01).
2. Configure channel 1 in the DMA, including enabling the channel.
3. Write 0x85 to CHCFG1 (base address + 0x01).

The following code example illustrates steps 1 and 3 above:

```
In File registers.h:
#define DMAMUX_BASE_ADDR      0xFC084000/* Example only ! */
/* Following example assumes char is 8-bits */
volatile unsigned char *CHCONFIG0 = (volatile unsigned char *) (DMAMUX_BASE_ADDR+0x0000);
volatile unsigned char *CHCONFIG1 = (volatile unsigned char *) (DMAMUX_BASE_ADDR+0x0001);
volatile unsigned char *CHCONFIG2 = (volatile unsigned char *) (DMAMUX_BASE_ADDR+0x0002);
volatile unsigned char *CHCONFIG3 = (volatile unsigned char *) (DMAMUX_BASE_ADDR+0x0003);
volatile unsigned char *CHCONFIG4 = (volatile unsigned char *) (DMAMUX_BASE_ADDR+0x0004);
volatile unsigned char *CHCONFIG5 = (volatile unsigned char *) (DMAMUX_BASE_ADDR+0x0005);
volatile unsigned char *CHCONFIG6 = (volatile unsigned char *) (DMAMUX_BASE_ADDR+0x0006);
volatile unsigned char *CHCONFIG7 = (volatile unsigned char *) (DMAMUX_BASE_ADDR+0x0007);
volatile unsigned char *CHCONFIG8 = (volatile unsigned char *) (DMAMUX_BASE_ADDR+0x0008);
volatile unsigned char *CHCONFIG9 = (volatile unsigned char *) (DMAMUX_BASE_ADDR+0x0009);
volatile unsigned char *CHCONFIG10= (volatile unsigned char *) (DMAMUX_BASE_ADDR+0x000A);
volatile unsigned char *CHCONFIG11= (volatile unsigned char *) (DMAMUX_BASE_ADDR+0x000B);
volatile unsigned char *CHCONFIG12= (volatile unsigned char *) (DMAMUX_BASE_ADDR+0x000C);
volatile unsigned char *CHCONFIG13= (volatile unsigned char *) (DMAMUX_BASE_ADDR+0x000D);
volatile unsigned char *CHCONFIG14= (volatile unsigned char *) (DMAMUX_BASE_ADDR+0x000E);
volatile unsigned char *CHCONFIG15= (volatile unsigned char *) (DMAMUX_BASE_ADDR+0x000F);

In File main.c:
#include "registers.h"
:
:
*CHCONFIG1 = 0x00;
*CHCONFIG1 = 0x85;
```

To disable a source:

A particular DMA source may be disabled by not writing the corresponding source value into any of the CHCFG registers. Additionally, some module-specific configuration may be necessary. See the appropriate section for more details.

To switch the source of a DMA channel:

1. Disable the DMA channel in the DMA and reconfigure the channel for the new source.
2. Clear the CHCFG[ENBL] and CHCFG[TRIG] bits of the DMA channel.
3. Select the source to be routed to the DMA channel. Write to the corresponding CHCFG register, ensuring that the CHCFG[ENBL] and CHCFG[TRIG] fields are set.

To switch DMA channel 8 from source #5 transmit to source #7 transmit:

1. In the DMA configuration registers, disable DMA channel 8 and reconfigure it to handle the transfers to peripheral slot 7. This example assumes channel 8 doesn't have triggering capability.
2. Write 0x00 to CHCFG8 (base address + 0x08).
3. Write 0x87 to CHCFG8 (base address + 0x08). (In this example, setting CHCFG[TRIG] would have no effect due to the assumption that channel 8 does not support the periodic triggering functionality).

The following code example illustrates steps 2 and 3 above:

Initialization/application information

In File registers.h:

```
#define DMAMUX_BASE_ADDR      0xFC084000/* Example only ! */
/* Following example assumes char is 8-bits */
volatile unsigned char *CHCONFIG0 = (volatile unsigned char *) (DMAMUX_BASE_ADDR+0x0000);
volatile unsigned char *CHCONFIG1 = (volatile unsigned char *) (DMAMUX_BASE_ADDR+0x0001);
volatile unsigned char *CHCONFIG2 = (volatile unsigned char *) (DMAMUX_BASE_ADDR+0x0002);
volatile unsigned char *CHCONFIG3 = (volatile unsigned char *) (DMAMUX_BASE_ADDR+0x0003);
volatile unsigned char *CHCONFIG4 = (volatile unsigned char *) (DMAMUX_BASE_ADDR+0x0004);
volatile unsigned char *CHCONFIG5 = (volatile unsigned char *) (DMAMUX_BASE_ADDR+0x0005);
volatile unsigned char *CHCONFIG6 = (volatile unsigned char *) (DMAMUX_BASE_ADDR+0x0006);
volatile unsigned char *CHCONFIG7 = (volatile unsigned char *) (DMAMUX_BASE_ADDR+0x0007);
volatile unsigned char *CHCONFIG8 = (volatile unsigned char *) (DMAMUX_BASE_ADDR+0x0008);
volatile unsigned char *CHCONFIG9 = (volatile unsigned char *) (DMAMUX_BASE_ADDR+0x0009);
volatile unsigned char *CHCONFIG10= (volatile unsigned char *) (DMAMUX_BASE_ADDR+0x000A);
volatile unsigned char *CHCONFIG11= (volatile unsigned char *) (DMAMUX_BASE_ADDR+0x000B);
volatile unsigned char *CHCONFIG12= (volatile unsigned char *) (DMAMUX_BASE_ADDR+0x000C);
volatile unsigned char *CHCONFIG13= (volatile unsigned char *) (DMAMUX_BASE_ADDR+0x000D);
volatile unsigned char *CHCONFIG14= (volatile unsigned char *) (DMAMUX_BASE_ADDR+0x000E);
volatile unsigned char *CHCONFIG15= (volatile unsigned char *) (DMAMUX_BASE_ADDR+0x000F);
```

In File main.c:

```
#include "registers.h"
:
:
*CHCONFIG8 = 0x00;
*CHCONFIG8 = 0x87;
```


Chapter 23

DMA Controller Module

23.1 Introduction

NOTE

For the chip-specific implementation details of this module's instances, see the chip configuration information.

This chapter describes the direct memory access (DMA) controller module. It provides an overview of the module and describes in detail its signals and programming model. The latter sections of this chapter describe operations, features, and supported data transfer modes in detail.

Note

The designation n is used throughout this section to refer to registers or signals associated with one of the four identical DMA channels: DMA0, DMA1, DMA2, or DMA3.

23.1.1 Overview

The DMA controller module enables fast transfers of data, providing an efficient way to move blocks of data with minimal processor interaction. The DMA module, shown in the following figure, has four channels that allow 8-bit, 16-bit, or 32-bit data transfers. Each channel has a dedicated source address register (SAR_n), destination address register (DAR_n), status register (DSR_n), byte count register (BCR_n), and control register (DCR_n). Collectively, the combined program-visible registers associated with each channel define a transfer control descriptor (TCD). All transfers are dual address, moving data from a source memory location to a destination memory location with the module operating as a 32-bit bus master connected to the system bus. The programming model is accessed through a 32-bit connection with the slave peripheral bus. DMA data transfers may be explicitly initiated by software or by peripheral hardware requests.

The following figure is a simplified block diagram of the 4-channel DMA controller.

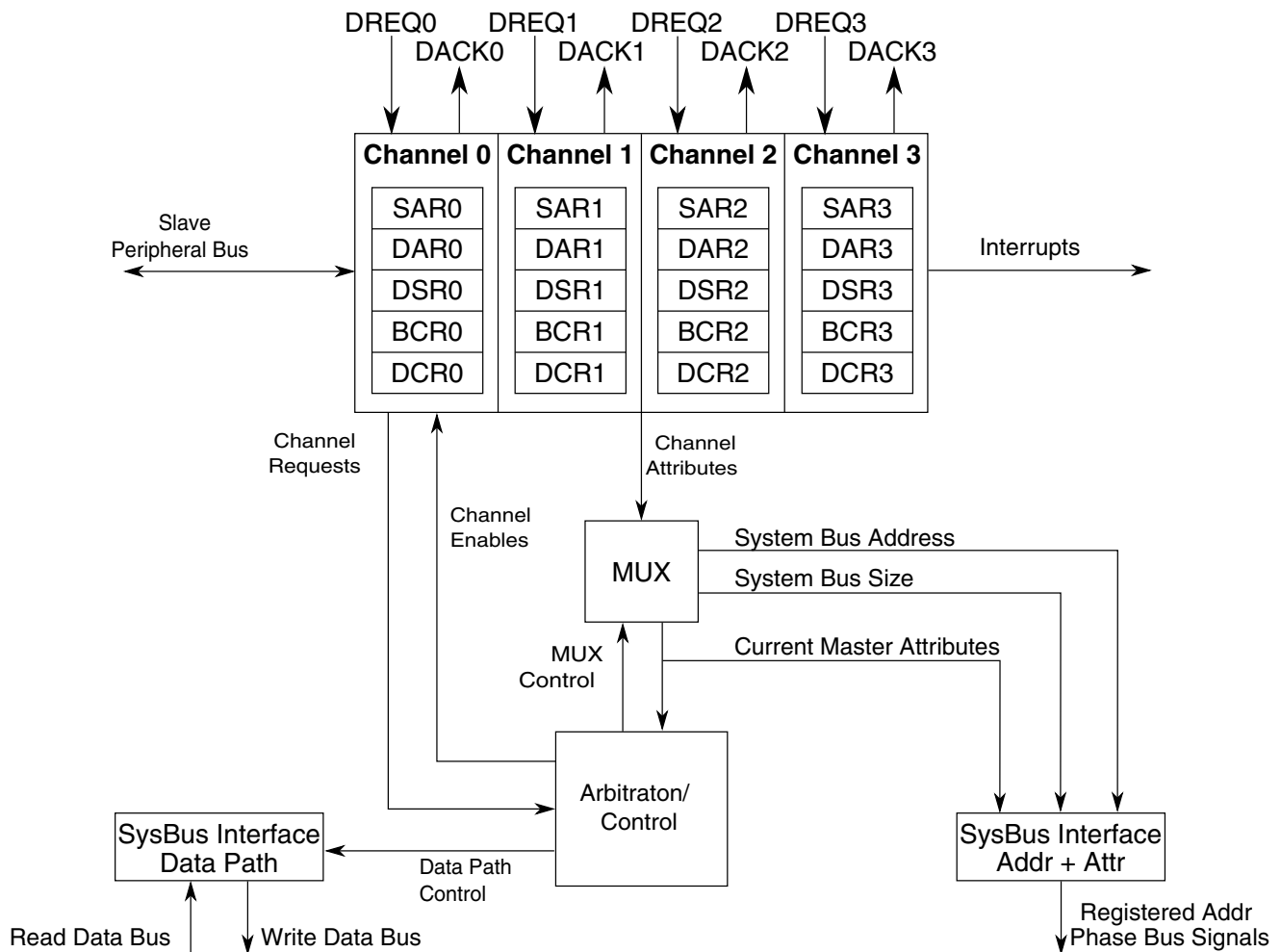


Figure 23-1. 4-Channel DMA Block Diagram

The terms *peripheral request* and *DREQ* refer to a DMA request from one of the on-chip peripherals or package pins. The DMA provides hardware handshake signals: either a DMA acknowledge (*DACK*) or a done indicator back to the peripheral.

23.1.2 Features

The DMA controller module features:

- Four independently programmable DMA controller channels
- Dual-address transfers via 32-bit master connection to the system bus
- Data transfers in 8-, 16-, or 32-bit blocks

- Continuous-mode or cycle-steal transfers from software or peripheral initiation
- Automatic hardware acknowledge/done indicator from each channel
- Independent source and destination address registers
- Optional modulo addressing and automatic updates of source and destination addresses
- Independent transfer sizes for source and destination
- Optional auto-alignment feature for source or destination accesses
- Optional automatic single or double channel linking
- Programming model accessed via 32-bit slave peripheral bus
- Channel arbitration on transfer boundaries using fixed priority scheme

23.2 DMA Transfer Overview

The DMA module can move data within system memory (including memory and peripheral devices) with minimal processor intervention, greatly improving overall system performance. The DMA module consists of four independent, functionally equivalent channels, so references to DMA in this chapter apply to any of the channels. It is not possible to address all four channels at once.

As soon as a channel has been initialized, it may be started by setting $DCRn[START]$ or a properly-selected peripheral DMA request, depending on the status of $DCRn[ERQ]$.

The DMA controller supports dual-address transfers using its bus master connection to the system bus. The DMA channels support transfers up to 32 data bits in size and have the same memory map addressability as the processor.

- Dual-address transfers—A dual-address transfer consists of a read followed by a write and is initiated by a request using the $DCRn[START]$ bit or by a peripheral DMA request. The read data is temporarily held in the DMA channel hardware until the write operation. Two types of single transfers occur: a read from a source address followed by a write to a destination address. See the following figure.

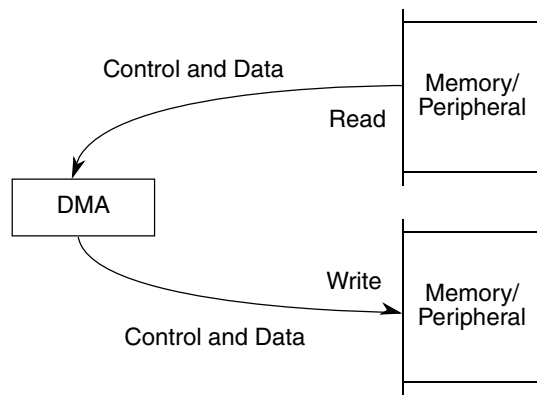


Figure 23-2. Dual-Address Transfer

Any operation involving a DMA channel follows the same three steps:

1. Channel initialization—The transfer control descriptor, contained in the channel registers, is loaded with address pointers, a byte-transfer count, and control information using accesses from the slave peripheral bus.
2. Data transfer—The DMA accepts requests for data transfers. Upon receipt of a request, it provides address and bus control for the transfers via its master connection to the system bus and temporary storage for the read data. The channel performs one or more source read and destination write data transfers.
3. Channel termination—Occurs after the operation is finished successfully or due to an error. The channel indicates the operation status in the channel's DSR, described in the definitions of the DMA Status Registers (DSR_n) and Byte Count Registers (BCR_n).

23.3 Memory Map/Register Definition

Descriptions of each register and its bit assignments follow. Modifying DMA control registers during a transfer can result in undefined operation. The following table shows the mapping of DMA controller registers. The DMA programming model is accessed via the slave peripheral bus. The concatenation of the source and destination address registers, the status and byte count register, and the control register create a 128-bit transfer control descriptor (TCD) that defines the operation of each DMA channel.

DMA memory map

Absolute address (hex)	Register name	Width (in bits)	Access	Reset value	Section/page
4000_8100	Source Address Register (DMA_SAR0)	32	R/W	0000_0000h	23.3.1/357
4000_8104	Destination Address Register (DMA_DAR0)	32	R/W	0000_0000h	23.3.2/358
4000_8108	DMA Status Register / Byte Count Register (DMA_DSR_BCR0)	32	R/W	0000_0000h	23.3.3/359
4000_810C	DMA Control Register (DMA_DCR0)	32	R/W	0000_0000h	23.3.4/361
4000_8110	Source Address Register (DMA_SAR1)	32	R/W	0000_0000h	23.3.1/357
4000_8114	Destination Address Register (DMA_DAR1)	32	R/W	0000_0000h	23.3.2/358
4000_8118	DMA Status Register / Byte Count Register (DMA_DSR_BCR1)	32	R/W	0000_0000h	23.3.3/359
4000_811C	DMA Control Register (DMA_DCR1)	32	R/W	0000_0000h	23.3.4/361
4000_8120	Source Address Register (DMA_SAR2)	32	R/W	0000_0000h	23.3.1/357
4000_8124	Destination Address Register (DMA_DAR2)	32	R/W	0000_0000h	23.3.2/358
4000_8128	DMA Status Register / Byte Count Register (DMA_DSR_BCR2)	32	R/W	0000_0000h	23.3.3/359
4000_812C	DMA Control Register (DMA_DCR2)	32	R/W	0000_0000h	23.3.4/361
4000_8130	Source Address Register (DMA_SAR3)	32	R/W	0000_0000h	23.3.1/357
4000_8134	Destination Address Register (DMA_DAR3)	32	R/W	0000_0000h	23.3.2/358
4000_8138	DMA Status Register / Byte Count Register (DMA_DSR_BCR3)	32	R/W	0000_0000h	23.3.3/359
4000_813C	DMA Control Register (DMA_DCR3)	32	R/W	0000_0000h	23.3.4/361

23.3.1 Source Address Register (DMA_SAR_n)

Restriction

For this register:

- Only 32-bit writes are allowed. 16-bit and 8-bit writes result in a bus error.
- Only four values are allowed to be written to bits 31-20 of this register. A write of any other value to these bits causes a configuration error when the channel starts to execute.

For more information about the configuration error, see the description of the [CE](#) field of DSR.

Address: 4000_8000h base + 100h offset + (16d × i), where i=0d to 3d

Bit	31	30	29	28	27	26	25	24	23	22	21	20	19	18	17	16	15	14	13	12	11	10	9	8	7	6	5	4	3	2	1	0		
R																																		
W	SAR																																	
Reset	0	0	0	0	0	0	0	0	0	0	0	0	0	0	0	0	0	0	0	0	0	0	0	0	0	0	0	0	0	0	0	0	0	0

DMA_SAR_n field descriptions

Field	Description
31–0 SAR	<p>Each SAR contains the byte address used by the DMA controller to read data. The SAR_n is typically aligned on a 0-modulo-ssize boundary—that is, on the natural alignment of the source data.</p> <p>Restriction: Bits 31-20 of this register must be written with one of only four allowed values. Each of these four allowed values corresponds to a valid region of the device's memory map. The allowed values are:</p> <ul style="list-style-type: none"> • 0x000x_xxxx • 0x1FFx_xxxx • 0x200x_xxxx • 0x400x_xxxx <p>After being written with one of the allowed values, bits 31-20 read back as the written value. After being written with any other value, bits 31-20 read back as an indeterminate value.</p>

23.3.2 Destination Address Register (DMA_DAR_n)

Restriction

For this register:

- Only 32-bit writes are allowed. 16-bit and 8-bit writes result in a bus error.
- Only four values are allowed to be written to bits 31-20 of this register. A write of any other value to these bits causes a configuration error when the channel starts to execute.

For more information about the configuration error, see the description of the [CE](#) field of DSR.

Address: 4000_8000h base + 104h offset + (16d × i), where i=0d to 3d

Bit	31	30	29	28	27	26	25	24	23	22	21	20	19	18	17	16	15	14	13	12	11	10	9	8	7	6	5	4	3	2	1	0
R																	DAR															
W																																
Reset	0	0	0	0	0	0	0	0	0	0	0	0	0	0	0	0	0	0	0	0	0	0	0	0	0	0	0	0	0	0	0	0

DMA_DAR_n field descriptions

Field	Description
31–0 DAR	<p>Each DAR contains the byte address used by the DMA controller to write data. The DAR_n is typically aligned on a 0-modulo-dsize boundary—that is, on the natural alignment of the destination data.</p> <p>Restriction: Bits 31-20 of this register must be written with one of only four allowed values. Each of these four allowed values corresponds to a valid region of the device's memory map. The allowed values are:</p> <ul style="list-style-type: none"> • 0x000x_xxxx • 0x1FFx_xxxx • 0x200x_xxxx • 0x400x_xxxx

DMA_DAR_n field descriptions (continued)

Field	Description
	After being written with one of the allowed values, bits 31-20 read back as the written value. After being written with any other value, bits 31-20 read back as an indeterminate value.

23.3.3 DMA Status Register / Byte Count Register (DMA_DSR_BCR_n)

DSR and BCR are two logical registers that occupy one 32-bit address. DSR_n occupies bits 31–24, and BCR_n occupies bits 23–0. DSR_n contains flags indicating the channel status, and BCR_n contains the number of bytes yet to be transferred for a given block.

On the successful completion of the write transfer, BCR_n decrements by 1, 2, or 4 for 8-bit, 16-bit, or 32-bit accesses, respectively. BCR_n is cleared if a 1 is written to DSR[*DONE*].

In response to an event, the DMA controller writes to the appropriate DSR_n bit. Only a write to DSR_n[*DONE*] results in action. DSR_n[*DONE*] is set when the block transfer is complete.

When a transfer sequence is initiated and BCR_n[*BCR*] is not a multiple of 4 or 2 when the DMA is configured for 32-bit or 16-bit transfers, respectively, DSR_n[*CE*] is set and no transfer occurs.

Address: 4000_8000h base + 108h offset + (16d × i), where i=0d to 3d

Bit	31	30	29	28	27	26	25	24	23	22	21	20	19	18	17	16
R	0	CE	BES	BED	0	REQ	BSY	DONE	BCR							
W	w1c															
Reset	0	0	0	0	0	0	0	0	0	0	0	0	0	0	0	0
Bit	15	14	13	12	11	10	9	8	7	6	5	4	3	2	1	0
R	BCR															
W																
Reset	0	0	0	0	0	0	0	0	0	0	0	0	0	0	0	0

DMA_DSR_BCRn field descriptions

Field	Description
31 Reserved	This field is reserved. This read-only field is reserved and always has the value 0.
30 CE	Configuration error Any of the following conditions causes a configuration error: <ul style="list-style-type: none"> • BCR, SAR, or DAR does not match the requested transfer size. • A value greater than 0F_FFFFh is written to BCR. • Bits 31-20 of SAR or DAR are written with a value other than one of the allowed values. See SAR and DAR. • SSIZE or DSIZE is set to an unsupported value. • BCR equals 0 when the DMA receives a start condition. CE is cleared at hardware reset or by writing a 1 to the DONE bit. 0 No configuration error exists. 1 A configuration error has occurred.
29 BES	Bus error on source BES is cleared at hardware reset or by writing a 1 to the DONE bit. 0 No bus error occurred. 1 The DMA channel terminated with a bus error during the read portion of a transfer.
28 BED	Bus error on destination BED is cleared at hardware reset or by writing a 1 to the DONE bit. 0 No bus error occurred. 1 The DMA channel terminated with a bus error during the write portion of a transfer.
27 Reserved	This field is reserved. This read-only field is reserved and always has the value 0.
26 REQ	Request 0 No request is pending or the channel is currently active. Cleared when the channel is selected. 1 The DMA channel has a transfer remaining and the channel is not selected.
25 BSY	Busy 0 DMA channel is inactive. Cleared when the DMA has finished the last transaction. 1 BSY is set the first time the channel is enabled after a transfer is initiated.
24 DONE	Transactions done Set when all DMA controller transactions complete as determined by transfer count, or based on error conditions. When BCR reaches zero, DONE is set when the final transfer completes successfully. DONE can also be used to abort a transfer by resetting the status bits. When a transfer completes, software must clear DONE before reprogramming the DMA. 0 DMA transfer is not yet complete. Writing a 0 has no effect. 1 DMA transfer completed. Writing a 1 to this bit clears all DMA status bits and should be used in an interrupt service routine to clear the DMA interrupt and error bits.
23–0 BCR	This field contains the number of bytes yet to be transferred for a given block. Restriction: BCR must be written with a value equal to or less than 0F_FFFFh. After being written with a value in this range, bits 23-20 of BCR read back as 0000b. A write to BCR of a value

Table continues on the next page...

DMA_DSR_BCR_n field descriptions (continued)

Field	Description
	greater than 0F_FFFFh causes a configuration error when the channel starts to execute. After being written with a value in this range, bits 23-20 of BCR read back as 0001b.

23.3.4 DMA Control Register (DMA_DCR_n)

Address: 4000_8000h base + 10Ch offset + (16d × i), where i=0d to 3d

Bit	31	30	29	28	27	26	25	24	23	22	21	20	19	18	17	16	
R					0												0
W	EINT	ERQ	CS	AA					Reserved	EADREQ	SINC	SSIZE	DINC	DSIZE			START
Reset	0	0	0	0	0	0	0	0	0	0	0	0	0	0	0	0	0
Bit	15	14	13	12	11	10	9	8	7	6	5	4	3	2	1	0	
R											0						
W	SMOD				DMOD				D_REQ			LINKCC	LCH1	LCH2			
Reset	0	0	0	0	0	0	0	0	0	0	0	0	0	0	0	0	

DMA_DCR_n field descriptions

Field	Description
31 EINT	Enable interrupt on completion of transfer Determines whether an interrupt is generated by completing a transfer or by the occurrence of an error condition. 0 No interrupt is generated. 1 Interrupt signal is enabled.
30 ERQ	Enable peripheral request CAUTION: Be careful: a collision can occur between the START bit and D_REQ when the ERQ bit is 1. 0 Peripheral request is ignored. 1 Enables peripheral request to initiate transfer. A software-initiated request (setting the START bit) is always enabled.

Table continues on the next page...

DMA_DCRn field descriptions (continued)

Field	Description
29 CS	Cycle steal 0 DMA continuously makes read/write transfers until the BCR decrements to 0. 1 Forces a single read/write transfer per request.
28 AA	Auto-align AA and SIZE bits determine whether the source or destination is auto-aligned; that is, transfers are optimized based on the address and size. 0 Auto-align disabled 1 If SSIZE indicates a transfer no smaller than DSIZE, source accesses are auto-aligned; otherwise, destination accesses are auto-aligned. Source alignment takes precedence over destination alignment. If auto-alignment is enabled, the appropriate address register increments, regardless of DINC or SINC.
27–25 Reserved	This field is reserved. This read-only field is reserved and always has the value 0.
24 Reserved	This field is reserved. CAUTION: Must be written as zero; otherwise, undefined behavior results.
23 EADREQ	Enable asynchronous DMA requests Enables the channel to support asynchronous DREQs while the MCU is in Stop mode. 0 Disabled 1 Enabled
22 SINC	Source increment Controls whether the source address increments after each successful transfer. 0 No change to SAR after a successful transfer. 1 The SAR increments by 1, 2, 4 as determined by the transfer size.
21–20 SSIZE	Source size Determines the data size of the source bus cycle for the DMA controller. 00 32-bit 01 8-bit 10 16-bit 11 Reserved (generates a configuration error (DSRn[CE]) if incorrectly specified at time of channel activation)
19 DINC	Destination increment Controls whether the destination address increments after each successful transfer. 0 No change to the DAR after a successful transfer. 1 The DAR increments by 1, 2, 4 depending upon the size of the transfer.
18–17 DSIZE	Destination size Determines the data size of the destination bus cycle for the DMA controller. 00 32-bit 01 8-bit

Table continues on the next page...

DMA_DCRn field descriptions (continued)

Field	Description
	10 16-bit 11 Reserved (generates a configuration error (DSRn[CE]) if incorrectly specified at time of channel activation)
16 START	Start transfer 0 DMA inactive 1 The DMA begins the transfer in accordance to the values in the TCDn. START is cleared automatically after one module clock and always reads as logic 0.
15–12 SMOD	Source address modulo Defines the size of the source data circular buffer used by the DMA Controller. If enabled (SMOD is non-zero), the buffer base address is located on a boundary of the buffer size. The value of this boundary is based upon the initial source address (SAR). The base address should be aligned to a 0-modulo-(circular buffer size) boundary. Misaligned buffers are not possible. The boundary is forced to the value determined by the upper address bits in the field selection. 0000 Buffer disabled 0001 Circular buffer size is 16 bytes 0010 Circular buffer size is 32 bytes 0011 Circular buffer size is 64 bytes 0100 Circular buffer size is 128 bytes 0101 Circular buffer size is 256 bytes 0110 Circular buffer size is 512 bytes 0111 Circular buffer size is 1 KB 1000 Circular buffer size is 2 KB 1001 Circular buffer size is 4 KB 1010 Circular buffer size is 8 KB 1011 Circular buffer size is 16 KB 1100 Circular buffer size is 32 KB 1101 Circular buffer size is 64 KB 1110 Circular buffer size is 128 KB 1111 Circular buffer size is 256 KB
11–8 DMOD	Destination address modulo Defines the size of the destination data circular buffer used by the DMA Controller. If enabled (DMOD value is non-zero), the buffer base address is located on a boundary of the buffer size. The value of this boundary depends on the initial destination address (DAR). The base address should be aligned to a 0-modulo-(circular buffer size) boundary. Misaligned buffers are not possible. The boundary is forced to the value determined by the upper address bits in the field selection. 0000 Buffer disabled 0001 Circular buffer size is 16 bytes 0010 Circular buffer size is 32 bytes 0011 Circular buffer size is 64 bytes 0100 Circular buffer size is 128 bytes 0101 Circular buffer size is 256 bytes 0110 Circular buffer size is 512 bytes 0111 Circular buffer size is 1 KB 1000 Circular buffer size is 2 KB 1001 Circular buffer size is 4 KB

Table continues on the next page...

DMA_DCRn field descriptions (continued)

Field	Description
	1010 Circular buffer size is 8 KB 1011 Circular buffer size is 16 KB 1100 Circular buffer size is 32 KB 1101 Circular buffer size is 64 KB 1110 Circular buffer size is 128 KB 1111 Circular buffer size is 256 KB
7 D_REQ	Disable request DMA hardware automatically clears the corresponding DCRn[ERQ] bit when the byte count register reaches zero. 0 ERQ bit is not affected. 1 ERQ bit is cleared when the BCR is exhausted.
6 Reserved	This field is reserved. This read-only field is reserved and always has the value 0.
5–4 LINKCC	Link channel control Allows DMA channels to have their transfers linked. The current DMA channel triggers a DMA request to the linked channels (LCH1 or LCH2) depending on the condition described by the LINKCC bits. If not in cycle steal mode (DCRn[CS]=0) and LINKCC equals 01 or 10, no link to LCH1 occurs. If LINKCC equals 01, a link to LCH1 is created after each cycle-steal transfer performed by the current DMA channel is completed. As the last cycle-steal is performed and the BCR reaches zero, then the link to LCH1 is closed and a link to LCH2 is created. 00 No channel-to-channel linking 01 Perform a link to channel LCH1 after each cycle-steal transfer followed by a link to LCH2 after the BCR decrements to zero 10 Perform a link to channel LCH1 after each cycle-steal transfer 11 Perform a link to channel LCH1 after the BCR decrements to zero
3–2 LCH1	Link channel 1 Indicates the DMA channel assigned as link channel 1. The link channel number cannot be the same as the currently executing channel, and generates a configuration error if this is attempted (DSRn[CE] is set). 00 DMA Channel 0 01 DMA Channel 1 10 DMA Channel 2 11 DMA Channel 3
1–0 LCH2	Link channel 2 Indicates the DMA channel assigned as link channel 2. The link channel number cannot be the same as the currently executing channel, and generates a configuration error if this is attempted (DSRn[CE] is set). 00 DMA Channel 0 01 DMA Channel 1 10 DMA Channel 2 11 DMA Channel 3

23.4 Functional Description

In the following discussion, the term DMA request implies that $DCRn[START]$ is set, or $DCRn[ERQ]$ is set and then followed by assertion of the properly selected DMA peripheral request. The $START$ bit is cleared when the channel is activated.

Before initiating a dual-address access, the DMA module verifies that $DCRn[SSIZE]$ and $DCRn[DSIZE]$ are consistent with the source and destination addresses. If they are not consistent, the configuration error bit, $DSRn[CE]$, is set. If misalignment is detected, no transfer occurs, $DSRn[CE]$ is set, and, depending on the DCR configuration, an interrupt event may be issued. If the auto-align bit, $DCRn[AA]$, is set, error checking is performed on the appropriate registers.

A read/write transfer sequence reads data from the source address and writes it to the destination address. The number of bytes transferred is the largest of the sizes specified by $DCRn[SSIZE]$ and $DCRn[DSIZE]$ in the DMA Control Registers ($DCRn$).

Source and destination address registers ($SARn$ and $DARn$) can be programmed in the $DCRn$ to increment at the completion of a successful transfer.

23.4.1 Transfer Requests (Cycle-Steal and Continuous Modes)

The DMA channel supports software-initiated or peripheral-initiated requests. A request is issued by setting $DCRn[START]$ or when the selected peripheral request asserts and $DCRn[ERQ]$ is set. Setting $DCRn[ERQ]$ enables recognition of the peripheral DMA requests. Selecting between cycle-steal and continuous modes minimizes bus usage for either type of request.

- Cycle-steal mode ($DCRn[CS] = 1$)—Only one complete transfer from source to destination occurs for each request. If $DCRn[ERQ]$ is set, the request is peripheral initiated. A software-initiated request is enabled by setting $DCRn[START]$.
- Continuous mode ($DCRn[CS] = 0$)—After a software-initiated or peripheral request, the DMA continuously transfers data until $BCRn$ reaches zero. The DMA performs the specified number of transfers, then retires the channel.

In either mode, the crossbar switch performs independent arbitration on each slave port after each transaction.

23.4.2 Channel Initialization and Startup

Before a data transfer starts, the channel's transfer control descriptor must be initialized with information describing configuration, request-generation method, and pointers to the data to be moved.

23.4.2.1 Channel Prioritization

The four DMA channels are prioritized based on number, with channel 0 having highest priority and channel 3 having the lowest, that is, channel 0 > channel 1 > channel 2 > channel 3.

Simultaneous peripheral requests activate the channels based on this priority order. Once activated, a channel runs to completion as defined by $DCRn[CS]$ and $BCRn$.

23.4.2.2 Programming the DMA Controller Module

CAUTION

During a channel's execution, writes to programming model registers can corrupt the data transfer. The DMA module itself does not have a mechanism to prevent writes to registers during a channel's execution.

General guidelines for programming the DMA are:

- $TCDn$ is initialized.
- $SARn$ is loaded with the source (read) address. If the transfer is from a peripheral device to memory or to another peripheral, the source address is the location of the peripheral data register. If the transfer is from memory to a peripheral device or to memory, the source address is the starting address of the data block. This can be any appropriately aligned address.
- $DARn$ is initialized with the destination (write) address. If the transfer is from a peripheral device to memory, or from memory to memory, $DARn$ is loaded with the starting address of the data block to be written. If the transfer is from memory to a peripheral device, or from a peripheral device to a peripheral device, $DARn$ is loaded with the address of the peripheral data register. This address can be any appropriately aligned address.

- SAR_n and DAR_n change after each data transfer depending on $DCR_n[SSIZE, DSIZE, SINC, DINC, SMOD, DMOD]$ and the starting addresses. Increment values can be 1, 2, or 4 for 8-bit, 16-bit, or 32-bit transfers, respectively. If the address register is programmed to remain unchanged, the register is not incremented after the data transfer.
- $BCR_n[BCR]$ must be loaded with the total number of bytes to be transferred. It is decremented by 1, 2, or 4 at the end of each transfer, depending on the transfer size. $DSR_n[DONE]$ must be cleared for channel startup.
- After the channel has been initialized, it may be started by setting $DCR_n[START]$ or a properly selected peripheral DMA request, depending on the status of $DCR_n[ERQ]$. For a software-initiated transfer, the channel can be started by setting $DCR_n[START]$ as part of a single 32-bit write to the last 32 bits of the TCD_n ; that is, it is not required to write the DCR_n with $START$ cleared and then perform a second write to explicitly set $START$.
- Programming the channel for a software-initiated request causes the channel to request the system bus and start transferring data immediately. If the channel is programmed for peripheral-initiated request, a properly selected peripheral DMA request must be asserted before the channel begins the system bus transfers.
- The hardware can automatically clear $DCR_n[ERQ]$, disabling the peripheral request, when BCR_n reaches zero by setting $DCR_n[D_REQ]$.
- Changes to DCR_n are effective immediately while the channel is active. To avoid problems with changing a DMA channel setup, write a one to $DSR_n[DONE]$ to stop the DMA channel.

23.4.3 Dual-Address Data Transfer Mode

Each channel supports dual-address transfers. Dual-address transfers consist of a source data read and a destination data write. The DMA controller module begins a dual-address transfer sequence after a DMA request. If no error condition exists, $DSR_n[REQ]$ is set.

- Dual-address read—The DMA controller drives the SAR_n value onto the system address bus. If $DCR_n[SINC]$ is set, the SAR_n increments by the appropriate number of bytes upon a successful read cycle. When the appropriate number of read cycles complete (multiple reads if the destination size is larger than the source), the DMA initiates the write portion of the transfer.

If a termination error occurs, $DSR_n[BES, DONE]$ are set and DMA transactions stop.

- Dual-address write—The DMA controller drives the DAR_n value onto the system address bus. When the appropriate number of write cycles complete (multiple writes if the source size is larger than the destination), DAR_n increments by the appropriate number of bytes if $DCR_n[DINC]$ is set. BCR_n decrements by the appropriate number of bytes. $DSR_n[DONE]$ is set when BCR_n reaches zero. If the BCR_n is greater than zero, another read/write transfer is initiated if continuous mode is enabled ($DCR_n[CS] = 0$).

If a termination error occurs, $DSR_n[BED, DONE]$ are set and DMA transactions stop.

23.4.4 Advanced Data Transfer Controls: Auto-Alignment

Typically, auto-alignment for DMA transfers applies for transfers of large blocks of data. As a result, it does not apply for peripheral-initiated cycle-steal transfers.

Auto-alignment allows block transfers to occur at the optimal size based on the address, byte count, and programmed size. To use this feature, $DCR_n[AA]$ must be set. The source is auto-aligned if $DCR_n[SSIZE]$ indicates a transfer size larger than $DCR_n[DSIZE]$. Source alignment takes precedence over the destination when the source and destination sizes are equal. Otherwise, the destination is auto-aligned. The address register chosen for alignment increments regardless of the increment value. Configuration error checking is performed on registers not chosen for alignment.

If BCR_n is greater than 16, the address determines transfer size. Transfers of 8 bits, 16 bits, or 32 bits are transferred until the address is aligned to the programmed size boundary, at which time accesses begin using the programmed size. If BCR_n is less than 16 at the start of a transfer, the number of bytes remaining dictates transfer size.

Consider this example:

- AA equals 1.
- SAR_n equals 0x2000_0001.
- BCR_n equals 0x00_00F0.
- $SSIZE$ equals 00 (32 bits).
- $DSIZE$ equals 01 (8 bits).

Because $SSIZE > DSIZE$, the source is auto-aligned. Error checking is performed on destination registers. The access sequence is as follows:

1. Read 1 byte from 0x2000_0001, increment SAR_n , write 1 byte (using DAR_n).
2. Read 2 bytes from 0x2000_0002, increment SAR_n , write 2 bytes.

3. Read 4 bytes from 0x2000_0004, increment SAR_n , write 4 bytes.
4. Repeat 4-byte operations until SAR_n equals 0x2000_00F0.
5. Read byte from 0x2000_00F0, increment SAR_n , write byte.

If $DSIZE$ is another size, data writes are optimized to write the largest size allowed based on the address, but not exceeding the configured size.

23.4.5 Termination

An unsuccessful transfer can terminate for one of the following reasons:

- Error conditions—When the DMA encounters a read or write cycle that terminates with an error condition, $DSR_n[BES]$ is set for a read and $DSR_n[BED]$ is set for a write before the transfer is halted. If the error occurred in a write cycle, data in the internal holding registers is lost.
- Interrupts—If $DCR_n[EINT]$ is set, the DMA drives the appropriate interrupt request signal. The processor can read DSR_n to determine whether the transfer terminated successfully or with an error. $DSR_n[DONE]$ is then written with a one to clear the interrupt, the $DONE$, and error status bits.

Chapter 24

Multipurpose Clock Generator (MCG)

24.1 Introduction

NOTE

For the chip-specific implementation details of this module's instances, see the chip configuration information.

The multipurpose clock generator (MCG) module provides several clock source choices for the MCU. The module contains a frequency-locked loop (FLL) and a phase-locked loop (PLL). The FLL is controllable by either an internal or an external reference clock. The PLL is controllable by the external reference clock. The module can select either of the FLL or PLL output clocks, or either of the internal or external reference clocks as a source for the MCU system clock. The MCG operates in conjunction with a crystal oscillator, which allows an external crystal, ceramic resonator, or another external clock source to produce the external reference clock.

24.1.1 Features

Key features of the MCG module are:

- Frequency-locked loop (FLL):
 - Digitally-controlled oscillator (DCO)
 - DCO frequency range is programmable for up to four different frequency ranges.
 - Option to program and maximize DCO output frequency for a low frequency external reference clock source.
 - Option to prevent FLL from resetting its current locked frequency when switching clock modes if FLL reference frequency is not changed.

- Internal or external reference clock can be used as the FLL source.
- Can be used as a clock source for other on-chip peripherals.
- Phase-locked loop (PLL):
 - Voltage-controlled oscillator (VCO)
 - External reference clock is used as the PLL source.
 - Modulo VCO frequency divider
 - Phase/Frequency detector
 - Integrated loop filter
 - Can be used as a clock source for other on-chip peripherals.
- Internal reference clock generator:
 - Slow clock with nine trim bits for accuracy
 - Fast clock with four trim bits
 - Can be used as source clock for the FLL. In FEI mode, only the slow Internal Reference Clock (IRC) can be used as the FLL source.
 - Either the slow or the fast clock can be selected as the clock source for the MCU.
 - Can be used as a clock source for other on-chip peripherals.
- Control signals for the MCG external reference low power oscillator clock generators are provided:
 - HGO0, RANGE0, EREFS0
HGO1, RANGE1, EREFS1
- External clock from the Crystal Oscillator (OSC0):
 - Can be used as a source for the FLL and/or the PLL.
 - Can be selected as the clock source for the MCU.
- External clock from the Real Time Counter (RTC):
 - Can only be used as a source for the FLL.
 - Can be selected as the clock source for the MCU.
- External clock from the Crystal Oscillator (OSC1)
 - Can only be used as a source for the PLL.

- External clock monitor with reset and interrupt request capability to check for external clock failure when running in FBE, PEE, BLPE, or FEE modes
- Lock detector with interrupt request capability for use with the PLL
- Internal Reference Clocks Auto Trim Machine (ATM) capability using an external clock as a reference
- Reference dividers for both the FLL and the PLL are provided
- Reference dividers for the Fast Internal Reference Clock are provided
- MCG PLL Clock (MCGPLLCLK) is provided as a clock source for other on-chip peripherals
- MCG FLL Clock (MCGFLLCLK) is provided as a clock source for other on-chip peripherals
- MCG Fixed Frequency Clock (MCGFFCLK) is provided as a clock source for other on-chip peripherals
- MCG Internal Reference Clock (MCGIRCLK) is provided as a clock source for other on-chip peripherals

Figure 24-1. Multipurpose Clock Generator (MCG) block diagram

NOTE

Refer to the chip configuration chapter to identify the oscillator used in this MCU.

24.1.2 Modes of Operation

The MCG has the following modes of operation: FEI, FEE, FBI, FBE, PBE, PEE, BLPI, BLPE, and Stop. For details, see [MCG modes of operation](#).

24.2 External Signal Description

There are no MCG signals that connect off chip.

24.3 Memory Map/Register Definition

This section includes the memory map and register definition.

The MCG registers can only be written when in supervisor mode. Write accesses when in user mode will result in a bus error. Read accesses may be performed in both supervisor and user mode.

MCG memory map

Absolute address (hex)	Register name	Width (in bits)	Access	Reset value	Section/page
4006_4000	MCG Control 1 Register (MCG_C1)	8	R/W	04h	24.3.1/374
4006_4001	MCG Control 2 Register (MCG_C2)	8	R/W	See section	24.3.2/375
4006_4002	MCG Control 3 Register (MCG_C3)	8	R/W	Undefined	24.3.3/377
4006_4003	MCG Control 4 Register (MCG_C4)	8	R/W	Undefined	24.3.4/377
4006_4004	MCG Control 5 Register (MCG_C5)	8	R/W	00h	24.3.5/379
4006_4005	MCG Control 6 Register (MCG_C6)	8	R/W	00h	24.3.6/380
4006_4006	MCG Status Register (MCG_S)	8	R	10h	24.3.7/381
4006_4008	MCG Status and Control Register (MCG_SC)	8	R/W	02h	24.3.8/383
4006_400A	MCG Auto Trim Compare Value High Register (MCG_ATCVH)	8	R/W	00h	24.3.9/384
4006_400B	MCG Auto Trim Compare Value Low Register (MCG_ATCVL)	8	R/W	00h	24.3.10/384
4006_400C	MCG Control 7 Register (MCG_C7)	8	R/W	00h	24.3.11/385
4006_400D	MCG Control 8 Register (MCG_C8)	8	R/W	80h	24.3.12/385
4006_400E	MCG Control 9 Register (MCG_C9)	8	R/W	00h	24.3.13/386
4006_400F	MCG Control 10 Register (MCG_C10)	8	R/W	00h	24.3.14/386

24.3.1 MCG Control 1 Register (MCG_C1)

Address: 4006_4000h base + 0h offset = 4006_4000h

Bit	7	6	5	4	3	2	1	0
Read	CLKS		FRDIV			IREFS	IRCLKEN	IREFSTEN
Write								
Reset	0	0	0	0	0	1	0	0

MCG_C1 field descriptions

Field	Description
7-6 CLKS	<p>Clock Source Select</p> <p>Selects the clock source for MCGOUTCLK .</p> <p>00 Encoding 0 — Output of FLL or PLL is selected (depends on PLLS control bit).</p> <p>01 Encoding 1 — Internal reference clock is selected.</p> <p>10 Encoding 2 — External reference clock is selected.</p> <p>11 Encoding 3 — Reserved.</p>
5-3 FRDIV	FLL External Reference Divider

Table continues on the next page...

MCG_C1 field descriptions (continued)

Field	Description
	<p>Selects the amount to divide down the external reference clock for the FLL. The resulting frequency must be in the range 31.25 kHz to 39.0625 kHz (This is required when FLL/DCO is the clock source for MCGOUTCLK . In FBE mode, it is not required to meet this range, but it is recommended in the cases when trying to enter a FLL mode from FBE).</p> <p>000 If RANGE 0 = 0 or OSCSEL=1 , Divide Factor is 1; for all other RANGE 0 values, Divide Factor is 32.</p> <p>001 If RANGE 0 = 0 or OSCSEL=1 , Divide Factor is 2; for all other RANGE 0 values, Divide Factor is 64.</p> <p>010 If RANGE 0 = 0 or OSCSEL=1 , Divide Factor is 4; for all other RANGE 0 values, Divide Factor is 128.</p> <p>011 If RANGE 0 = 0 or OSCSEL=1 , Divide Factor is 8; for all other RANGE 0 values, Divide Factor is 256.</p> <p>100 If RANGE 0 = 0 or OSCSEL=1 , Divide Factor is 16; for all other RANGE 0 values, Divide Factor is 512.</p> <p>101 If RANGE 0 = 0 or OSCSEL=1 , Divide Factor is 32; for all other RANGE 0 values, Divide Factor is 1024.</p> <p>110 If RANGE 0 = 0 or OSCSEL=1 , Divide Factor is 64; for all other RANGE 0 values, Divide Factor is 1280 .</p> <p>111 If RANGE 0 = 0 or OSCSEL=1 , Divide Factor is 128; for all other RANGE 0 values, Divide Factor is 1536 .</p>
2 IREFS	<p>Internal Reference Select</p> <p>Selects the reference clock source for the FLL.</p> <p>0 External reference clock is selected.</p> <p>1 The slow internal reference clock is selected.</p>
1 IRCLKEN	<p>Internal Reference Clock Enable</p> <p>Enables the internal reference clock for use as MCGIRCLK.</p> <p>0 MCGIRCLK inactive.</p> <p>1 MCGIRCLK active.</p>
0 IREFSTEN	<p>Internal Reference Stop Enable</p> <p>Controls whether or not the internal reference clock remains enabled when the MCG enters Stop mode.</p> <p>0 Internal reference clock is disabled in Stop mode.</p> <p>1 Internal reference clock is enabled in Stop mode if IRCLKEN is set or if MCG is in FEI, FBI, or BLPI modes before entering Stop mode.</p>

24.3.2 MCG Control 2 Register (MCG_C2)

Address: 4006_4000h base + 1h offset = 4006_4001h

Bit	7	6	5	4	3	2	1	0
Read	LOCRE0	FCFTRIM	RANGE0		HGO0	EREFS0	LP	IRCS
Write								
Reset	1	1	0	0	0	0	0	0

MCG_C2 field descriptions

Field	Description
7 LOCRES0	<p>Loss of Clock Reset Enable</p> <p>Determines whether an interrupt or a reset request is made following a loss of OSC0 external reference clock. The LOCRES0 only has an affect when CRES0 is set.</p> <p>0 Interrupt request is generated on a loss of OSC0 external reference clock. 1 Generate a reset request on a loss of OSC0 external reference clock.</p>
6 FCFTRIM	<p>Fast Internal Reference Clock Fine Trim</p> <p>FCFTRIM controls the smallest adjustment of the fast internal reference clock frequency. Setting FCFTRIM increases the period and clearing FCFTRIM decreases the period by the smallest amount possible. If an FCFTRIM value stored in nonvolatile memory is to be used, it is your responsibility to copy that value from the nonvolatile memory location to this bit.</p>
5-4 RANGE0	<p>Frequency Range Select</p> <p>Selects the frequency range for the crystal oscillator or external clock source. See the Oscillator (OSC) chapter for more details and the device data sheet for the frequency ranges used.</p> <p>00 Encoding 0 — Low frequency range selected for the crystal oscillator . 01 Encoding 1 — High frequency range selected for the crystal oscillator . 1X Encoding 2 — Very high frequency range selected for the crystal oscillator .</p>
3 HGO0	<p>High Gain Oscillator Select</p> <p>Controls the crystal oscillator mode of operation. See the Oscillator (OSC) chapter for more details.</p> <p>0 Configure crystal oscillator for low-power operation. 1 Configure crystal oscillator for high-gain operation.</p>
2 EREFS0	<p>External Reference Select</p> <p>Selects the source for the external reference clock. See the Oscillator (OSC) chapter for more details.</p> <p>0 External reference clock requested. 1 Oscillator requested.</p>
1 LP	<p>Low Power Select</p> <p>Controls whether the FLL or PLL is disabled in BLPI and BLPE modes. In FBE or PBE modes, setting this bit to 1 will transition the MCG into BLPE mode; in FBI mode, setting this bit to 1 will transition the MCG into BLPI mode. In any other MCG mode, LP bit has no affect.</p> <p>0 FLL or PLL is not disabled in bypass modes. 1 FLL or PLL is disabled in bypass modes (lower power)</p>
0 IRCS	<p>Internal Reference Clock Select</p> <p>Selects between the fast or slow internal reference clock source.</p> <p>0 Slow internal reference clock selected. 1 Fast internal reference clock selected.</p>

24.3.3 MCG Control 3 Register (MCG_C3)

Address: 4006_4000h base + 2h offset = 4006_4002h

Bit	7	6	5	4	3	2	1	0
Read	SCTRIM							
Write								
Reset	x*	x*	x*	x*	x*	x*	x*	x*

* Notes:

- x = Undefined at reset.

MCG_C3 field descriptions

Field	Description
7–0 SCTRIM	<p>Slow Internal Reference Clock Trim Setting</p> <p>SCTRIM¹ controls the slow internal reference clock frequency by controlling the slow internal reference clock period. The SCTRIM bits are binary weighted, that is, bit 1 adjusts twice as much as bit 0. Increasing the binary value increases the period, and decreasing the value decreases the period.</p> <p>An additional fine trim bit is available in C4 register as the SCFTRIM bit. Upon reset, this value is loaded with a factory trim value.</p> <p>If an SCTRIM value stored in nonvolatile memory is to be used, it is your responsibility to copy that value from the nonvolatile memory location to this register.</p>

1. A value for SCTRIM is loaded during reset from a factory programmed location.

24.3.4 MCG Control 4 Register (MCG_C4)

NOTE

Reset values for DRST and DMX32 bits are 0.

Address: 4006_4000h base + 3h offset = 4006_4003h

Bit	7	6	5	4	3	2	1	0
Read	DMX32	DRST_DRS	FCTRIM				SCFTRIM	
Write								
Reset	0	0	0	x*	x*	x*	x*	x*

* Notes:

- x = Undefined at reset.
- A value for FCTRIM is loaded during reset from a factory programmed location. x = Undefined at reset.

MCG_C4 field descriptions

Field	Description
7 DMX32	<p>DCO Maximum Frequency with 32.768 kHz Reference</p> <p>The DMX32 bit controls whether the DCO frequency range is narrowed to its maximum frequency with a 32.768 kHz reference.</p>

Table continues on the next page...

MCG_C4 field descriptions (continued)

Field	Description																																									
	<p>The following table identifies settings for the DCO frequency range.</p> <p>NOTE: The system clocks derived from this source should not exceed their specified maximums.</p> <table border="1"> <thead> <tr> <th>DRST_DRS</th> <th>DMX32</th> <th>Reference Range</th> <th>FLL Factor</th> <th>DCO Range</th> </tr> </thead> <tbody> <tr> <td rowspan="2">00</td> <td>0</td> <td>31.25–39.0625 kHz</td> <td>640</td> <td>20–25 MHz</td> </tr> <tr> <td>1</td> <td>32.768 kHz</td> <td>732</td> <td>24 MHz</td> </tr> <tr> <td rowspan="2">01</td> <td>0</td> <td>31.25–39.0625 kHz</td> <td>1280</td> <td>40–50 MHz</td> </tr> <tr> <td>1</td> <td>32.768 kHz</td> <td>1464</td> <td>48 MHz</td> </tr> <tr> <td rowspan="2">10</td> <td>0</td> <td>31.25–39.0625 kHz</td> <td>1920</td> <td>60–75 MHz</td> </tr> <tr> <td>1</td> <td>32.768 kHz</td> <td>2197</td> <td>72 MHz</td> </tr> <tr> <td rowspan="2">11</td> <td>0</td> <td>31.25–39.0625 kHz</td> <td>2560</td> <td>80–100 MHz</td> </tr> <tr> <td>1</td> <td>32.768 kHz</td> <td>2929</td> <td>96 MHz</td> </tr> </tbody> </table> <p>0 DCO has a default range of 25%. 1 DCO is fine-tuned for maximum frequency with 32.768 kHz reference.</p>	DRST_DRS	DMX32	Reference Range	FLL Factor	DCO Range	00	0	31.25–39.0625 kHz	640	20–25 MHz	1	32.768 kHz	732	24 MHz	01	0	31.25–39.0625 kHz	1280	40–50 MHz	1	32.768 kHz	1464	48 MHz	10	0	31.25–39.0625 kHz	1920	60–75 MHz	1	32.768 kHz	2197	72 MHz	11	0	31.25–39.0625 kHz	2560	80–100 MHz	1	32.768 kHz	2929	96 MHz
DRST_DRS	DMX32	Reference Range	FLL Factor	DCO Range																																						
00	0	31.25–39.0625 kHz	640	20–25 MHz																																						
	1	32.768 kHz	732	24 MHz																																						
01	0	31.25–39.0625 kHz	1280	40–50 MHz																																						
	1	32.768 kHz	1464	48 MHz																																						
10	0	31.25–39.0625 kHz	1920	60–75 MHz																																						
	1	32.768 kHz	2197	72 MHz																																						
11	0	31.25–39.0625 kHz	2560	80–100 MHz																																						
	1	32.768 kHz	2929	96 MHz																																						
6–5 DRST_DRS	<p>DCO Range Select</p> <p>The DRS bits select the frequency range for the FLL output, DCOOUT. When the LP bit is set, writes to the DRS bits are ignored. The DRST read field indicates the current frequency range for DCOOUT. The DRST field does not update immediately after a write to the DRS field due to internal synchronization between clock domains. See the DCO Frequency Range table for more details.</p> <p>00 Encoding 0 — Low range (reset default). 01 Encoding 1 — Mid range. 10 Encoding 2 — Mid-high range. 11 Encoding 3 — High range.</p>																																									
4–1 FCTRIM	<p>Fast Internal Reference Clock Trim Setting</p> <p>FCTRIM ¹ controls the fast internal reference clock frequency by controlling the fast internal reference clock period. The FCTRIM bits are binary weighted, that is, bit 1 adjusts twice as much as bit 0. Increasing the binary value increases the period, and decreasing the value decreases the period.</p> <p>If an FCTRIM[3:0] value stored in nonvolatile memory is to be used, it is your responsibility to copy that value from the nonvolatile memory location to this register.</p>																																									
0 SCFTRIM	<p>Slow Internal Reference Clock Fine Trim</p> <p>SCFTRIM ² controls the smallest adjustment of the slow internal reference clock frequency. Setting SCFTRIM increases the period and clearing SCFTRIM decreases the period by the smallest amount possible.</p> <p>If an SCFTRIM value stored in nonvolatile memory is to be used, it is your responsibility to copy that value from the nonvolatile memory location to this bit.</p>																																									

1. A value for FCTRIM is loaded during reset from a factory programmed location.
2. A value for SCFTRIM is loaded during reset from a factory programmed location .

24.3.5 MCG Control 5 Register (MCG_C5)

Address: 4006_4000h base + 4h offset = 4006_4004h

Bit	7	6	5	4	3	2	1	0
Read	0	PLLCLKEN0	PLLSTEN0	PRDIV0				
Write								
Reset	0	0	0	0	0	0	0	0

MCG_C5 field descriptions

Field	Description																																								
7 Reserved	This field is reserved. This read-only field is reserved and always has the value 0.																																								
6 PLLCLKEN0	<p>PLL Clock Enable</p> <p>Enables the PLL independent of PLLS and enables the PLL clock for use as MCGPLLCLK. (PRDIV 0 needs to be programmed to the correct divider to generate a PLL reference clock in the range of 2 - 4 MHz range prior to setting the PLLCLKEN 0 bit). Setting PLLCLKEN 0 will enable the external oscillator if not already enabled. Whenever the PLL is being enabled by means of the PLLCLKEN 0 bit, and the external oscillator is being used as the reference clock, the OSCINIT 0 bit should be checked to make sure it is set.</p> <p>0 MCGPLLCLK is inactive. 1 MCGPLLCLK is active.</p>																																								
5 PLLSTEN0	<p>PLL Stop Enable</p> <p>Enables the PLL Clock during Normal Stop. In Low Power Stop mode, the PLL clock gets disabled even if PLLSTEN 0 =1. All other power modes, PLLSTEN 0 bit has no affect and does not enable the PLL Clock to run if it is written to 1.</p> <p>0 MCGPLLCLK is disabled in any of the Stop modes. 1 MCGPLLCLK is enabled if system is in Normal Stop mode.</p>																																								
4-0 PRDIV0	<p>PLL External Reference Divider</p> <p>Selects the amount to divide down the external reference clock for the PLL. The resulting frequency must be in the range of 2 MHz to 4 MHz. After the PLL is enabled (by setting either PLLCLKEN 0 or PLLS), the PRDIV 0 value must not be changed when LOCK0 is zero.</p> <p style="text-align: center;">Table 24-7. PLL External Reference Divide Factor</p> <table border="1" style="width: 100%; border-collapse: collapse;"> <thead> <tr> <th>PRDIV 0</th> <th>Divide Factor</th> <th>PRDIV 0</th> <th>Divide Factor</th> <th>PRDIV 0</th> <th>Divide Factor</th> <th>PRDIV 0</th> <th>Divide Factor</th> </tr> </thead> <tbody> <tr> <td>00000</td> <td>1</td> <td>01000</td> <td>9</td> <td>10000</td> <td>17</td> <td>11000</td> <td>25</td> </tr> <tr> <td>00001</td> <td>2</td> <td>01001</td> <td>10</td> <td>10001</td> <td>18</td> <td>11001</td> <td>Reserved</td> </tr> <tr> <td>00010</td> <td>3</td> <td>01010</td> <td>11</td> <td>10010</td> <td>19</td> <td>11010</td> <td>Reserved</td> </tr> <tr> <td>00011</td> <td>4</td> <td>01011</td> <td>12</td> <td>10011</td> <td>20</td> <td>11011</td> <td>Reserved</td> </tr> </tbody> </table>	PRDIV 0	Divide Factor	PRDIV 0	Divide Factor	PRDIV 0	Divide Factor	PRDIV 0	Divide Factor	00000	1	01000	9	10000	17	11000	25	00001	2	01001	10	10001	18	11001	Reserved	00010	3	01010	11	10010	19	11010	Reserved	00011	4	01011	12	10011	20	11011	Reserved
PRDIV 0	Divide Factor	PRDIV 0	Divide Factor	PRDIV 0	Divide Factor	PRDIV 0	Divide Factor																																		
00000	1	01000	9	10000	17	11000	25																																		
00001	2	01001	10	10001	18	11001	Reserved																																		
00010	3	01010	11	10010	19	11010	Reserved																																		
00011	4	01011	12	10011	20	11011	Reserved																																		

Table continues on the next page...

MCG_C5 field descriptions (continued)

Field	Description										
Table 24-7. PLL External Reference Divide Factor (continued)											
	00100	5		01100	13		10100	21		11100	Reserved
	00101	6		01101	14		10101	22		11101	Reserved
	00110	7		01110	15		10110	23		11110	Reserved
	00111	8		01111	16		10111	24		11111	Reserved

24.3.6 MCG Control 6 Register (MCG_C6)

Address: 4006_4000h base + 5h offset = 4006_4005h

Bit	7	6	5	4	3	2	1	0
Read	LOLIE0	PLLS	CME0			VDIV0		
Write								
Reset	0	0	0	0	0	0	0	0

MCG_C6 field descriptions

Field	Description
7 LOLIE0	<p>Loss of Lock Interrupt Enable</p> <p>Determines if an interrupt request is made following a loss of lock indication. This bit only has an effect when LOLS 0 is set.</p> <p>0 No interrupt request is generated on loss of lock. 1 Generate an interrupt request on loss of lock.</p>
6 PLLS	<p>PLL Select</p> <p>Controls whether the PLL or FLL output is selected as the MCG source when CLKS[1:0]=00. If the PLLS bit is cleared and PLLCLKEN 0 is not set, the PLL is disabled in all modes. If the PLLS is set, the FLL is disabled in all modes.</p> <p>0 FLL is selected. 1 PLL is selected (PRDIV 0 need to be programmed to the correct divider to generate a PLL reference clock in the range of 2–4 MHz prior to setting the PLLS bit).</p>
5 CME0	<p>Clock Monitor Enable</p> <p>Enables the loss of clock monitoring circuit for the OSC0 external reference mux select. The LOCRE0 bit will determine if a interrupt or a reset request is generated following a loss of OSC0 indication. The CME0 bit must only be set to a logic 1 when the MCG is in an operational mode that uses the external clock (FEE, FBE, PEE, PBE, or BLPE) . Whenever the CME0 bit is set to a logic 1, the value of the RANGE0 bits in the C2 register should not be changed. CME0 bit should be set to a logic 0 before the MCG enters</p>

Table continues on the next page...

MCG_C6 field descriptions (continued)

Field	Description																																																																								
	<p>any Stop mode. Otherwise, a reset request may occur while in Stop mode. CME0 should also be set to a logic 0 before entering VLPR or VLPW power modes if the MCG is in BLPE mode.</p> <p>0 External clock monitor is disabled for OSC0. 1 External clock monitor is enabled for OSC0.</p>																																																																								
4–0 VDIV0	<p>VCO 0 Divider</p> <p>Selects the amount to divide the VCO output of the PLL. The VDIV 0 bits establish the multiplication factor (M) applied to the reference clock frequency. After the PLL is enabled (by setting either PLLCLKEN 0 or PLLS), the VDIV 0 value must not be changed when LOCK 0 is zero.</p> <p style="text-align: center;">Table 24-9. PLL VCO Divide Factor</p> <table border="1" style="width: 100%; border-collapse: collapse;"> <thead> <tr> <th>VDIV 0</th> <th>Multiply Factor</th> <th>VDIV 0</th> <th>Multiply Factor</th> <th>VDIV 0</th> <th>Multiply Factor</th> <th>VDIV 0</th> <th>Multiply Factor</th> </tr> </thead> <tbody> <tr> <td>00000</td> <td>24</td> <td>01000</td> <td>32</td> <td>10000</td> <td>40</td> <td>11000</td> <td>48</td> </tr> <tr> <td>00001</td> <td>25</td> <td>01001</td> <td>33</td> <td>10001</td> <td>41</td> <td>11001</td> <td>49</td> </tr> <tr> <td>00010</td> <td>26</td> <td>01010</td> <td>34</td> <td>10010</td> <td>42</td> <td>11010</td> <td>50</td> </tr> <tr> <td>00011</td> <td>27</td> <td>01011</td> <td>35</td> <td>10011</td> <td>43</td> <td>11011</td> <td>51</td> </tr> <tr> <td>00100</td> <td>28</td> <td>01100</td> <td>36</td> <td>10100</td> <td>44</td> <td>11100</td> <td>52</td> </tr> <tr> <td>00101</td> <td>29</td> <td>01101</td> <td>37</td> <td>10101</td> <td>45</td> <td>11101</td> <td>53</td> </tr> <tr> <td>00110</td> <td>30</td> <td>01110</td> <td>38</td> <td>10110</td> <td>46</td> <td>11110</td> <td>54</td> </tr> <tr> <td>00111</td> <td>31</td> <td>01111</td> <td>39</td> <td>10111</td> <td>47</td> <td>11111</td> <td>55</td> </tr> </tbody> </table>	VDIV 0	Multiply Factor	VDIV 0	Multiply Factor	VDIV 0	Multiply Factor	VDIV 0	Multiply Factor	00000	24	01000	32	10000	40	11000	48	00001	25	01001	33	10001	41	11001	49	00010	26	01010	34	10010	42	11010	50	00011	27	01011	35	10011	43	11011	51	00100	28	01100	36	10100	44	11100	52	00101	29	01101	37	10101	45	11101	53	00110	30	01110	38	10110	46	11110	54	00111	31	01111	39	10111	47	11111	55
VDIV 0	Multiply Factor	VDIV 0	Multiply Factor	VDIV 0	Multiply Factor	VDIV 0	Multiply Factor																																																																		
00000	24	01000	32	10000	40	11000	48																																																																		
00001	25	01001	33	10001	41	11001	49																																																																		
00010	26	01010	34	10010	42	11010	50																																																																		
00011	27	01011	35	10011	43	11011	51																																																																		
00100	28	01100	36	10100	44	11100	52																																																																		
00101	29	01101	37	10101	45	11101	53																																																																		
00110	30	01110	38	10110	46	11110	54																																																																		
00111	31	01111	39	10111	47	11111	55																																																																		

24.3.7 MCG Status Register (MCG_S)

Address: 4006_4000h base + 6h offset = 4006_4006h

Bit	7	6	5	4	3	2	1	0
Read	LOLS0	LOCK0	PLLST	IREFST	CLKST		OSCINIT0	IRCST
Write								
Reset	0	0	0	1	0	0	0	0

MCG_S field descriptions

Field	Description
7 LOLS0	<p>Loss of Lock Status</p> <p>This bit is a sticky bit indicating the lock status for the PLL. LOLS is set if after acquiring lock, the PLL output frequency has fallen outside the lock exit frequency tolerance, D_{unl}. LOLIE determines whether an interrupt request is made when LOLS is set. LOLRE determines whether a reset request is made when LOLS is set. This bit is cleared by reset or by writing a logic 1 to it when set. Writing a logic 0 to this bit has no effect.</p>

Table continues on the next page...

MCG_S field descriptions (continued)

Field	Description
	<p>0 PLL has not lost lock since LOLS 0 was last cleared.</p> <p>1 PLL has lost lock since LOLS 0 was last cleared.</p>
6 LOCK0	<p>Lock Status</p> <p>This bit indicates whether the PLL has acquired lock. Lock detection is only enabled when the PLL is enabled (either through clock mode selection or PLLCLKEN0=1 setting). While the PLL clock is locking to the desired frequency, the MCG PLL clock (MCGPLLCLK) will be gated off until the LOCK bit gets asserted. If the lock status bit is set, changing the value of the PRDIV0 [4:0] bits in the C5 register or the VDIV0[4:0] bits in the C6 register causes the lock status bit to clear and stay cleared until the PLL has reacquired lock. Loss of PLL reference clock will also cause the LOCK0 bit to clear until the PLL has reacquired lock. Entry into LLS, VLPS, or regular Stop with PLLSTEN=0 also causes the lock status bit to clear and stay cleared until the Stop mode is exited and the PLL has reacquired lock. Any time the PLL is enabled and the LOCK0 bit is cleared, the MCGPLLCLK will be gated off until the LOCK0 bit is asserted again.</p> <p>0 PLL is currently unlocked.</p> <p>1 PLL is currently locked.</p>
5 PLLST	<p>PLL Select Status</p> <p>This bit indicates the clock source selected by PLLS . The PLLST bit does not update immediately after a write to the PLLS bit due to internal synchronization between clock domains.</p> <p>0 Source of PLLS clock is FLL clock.</p> <p>1 Source of PLLS clock is PLL output clock.</p>
4 IREFST	<p>Internal Reference Status</p> <p>This bit indicates the current source for the FLL reference clock. The IREFST bit does not update immediately after a write to the IREFS bit due to internal synchronization between clock domains.</p> <p>0 Source of FLL reference clock is the external reference clock.</p> <p>1 Source of FLL reference clock is the internal reference clock.</p>
3–2 CLKST	<p>Clock Mode Status</p> <p>These bits indicate the current clock mode. The CLKST bits do not update immediately after a write to the CLKS bits due to internal synchronization between clock domains.</p> <p>00 Encoding 0 — Output of the FLL is selected (reset default).</p> <p>01 Encoding 1 — Internal reference clock is selected.</p> <p>10 Encoding 2 — External reference clock is selected.</p> <p>11 Encoding 3 — Output of the PLL is selected.</p>
1 OSCINIT0	<p>OSC Initialization</p> <p>This bit, which resets to 0, is set to 1 after the initialization cycles of the crystal oscillator clock have completed. After being set, the bit is cleared to 0 if the OSC is subsequently disabled. See the OSC module's detailed description for more information.</p>
0 IRCST	<p>Internal Reference Clock Status</p> <p>The IRCST bit indicates the current source for the internal reference clock select clock (IRCSCCLK). The IRCST bit does not update immediately after a write to the IRCS bit due to internal synchronization between clock domains. The IRCST bit will only be updated if the internal reference clock is enabled, either by the MCG being in a mode that uses the IRC or by setting the C1[IRCLKEN] bit .</p>

Table continues on the next page...

MCG_S field descriptions (continued)

Field	Description
0	Source of internal reference clock is the slow clock (32 kHz IRC).
1	Source of internal reference clock is the fast clock (4 MHz IRC).

24.3.8 MCG Status and Control Register (MCG_SC)

Address: 4006_4000h base + 8h offset = 4006_4008h

Bit	7	6	5	4	3	2	1	0
Read	ATME	ATMS	ATMF	FLTPRSRV	FCRDIV			LOCS0
Write								
Reset	0	0	0	0	0	0	1	0

MCG_SC field descriptions

Field	Description
7 ATME	<p>Automatic Trim Machine Enable</p> <p>Enables the Auto Trim Machine to start automatically trimming the selected Internal Reference Clock.</p> <p>NOTE: ATME deasserts after the Auto Trim Machine has completed trimming all trim bits of the IRCS clock selected by the ATMS bit.</p> <p>Writing to C1, C3, C4, and SC registers or entering Stop mode aborts the auto trim operation and clears this bit.</p> <p>0 Auto Trim Machine disabled. 1 Auto Trim Machine enabled.</p>
6 ATMS	<p>Automatic Trim Machine Select</p> <p>Selects the IRCS clock for Auto Trim Test.</p> <p>0 32 kHz Internal Reference Clock selected. 1 4 MHz Internal Reference Clock selected.</p>
5 ATMF	<p>Automatic Trim Machine Fail Flag</p> <p>Fail flag for the Automatic Trim Machine (ATM). This bit asserts when the Automatic Trim Machine is enabled, ATME=1, and a write to the C1, C3, C4, and SC registers is detected or the MCG enters into any Stop mode. A write to ATMF clears the flag.</p> <p>0 Automatic Trim Machine completed normally. 1 Automatic Trim Machine failed.</p>
4 FLTPRSRV	<p>FLL Filter Preserve Enable</p> <p>This bit will prevent the FLL filter values from resetting allowing the FLL output frequency to remain the same during clock mode changes where the FLL/DCO output is still valid. (Note: This requires that the FLL reference frequency to remain the same as what it was prior to the new clock mode switch. Otherwise FLL filter and frequency values will change.)</p> <p>0 FLL filter and FLL frequency will reset on changes to current clock mode. 1 FLL filter and FLL frequency retain their previous values during new clock mode change.</p>

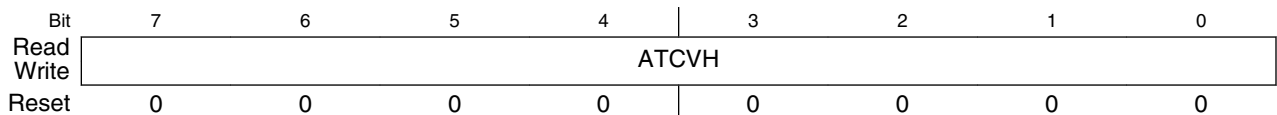
Table continues on the next page...

MCG_SC field descriptions (continued)

Field	Description
3-1 FCRDIV	<p>Fast Clock Internal Reference Divider</p> <p>Selects the amount to divide down the fast internal reference clock. The resulting frequency will be in the range 31.25 kHz to 4 MHz (Note: Changing the divider when the Fast IRC is enabled is not supported).</p> <p>000 Divide Factor is 1 001 Divide Factor is 2. 010 Divide Factor is 4. 011 Divide Factor is 8. 100 Divide Factor is 16 101 Divide Factor is 32 110 Divide Factor is 64 111 Divide Factor is 128.</p>
0 LOCS0	<p>OSC0 Loss of Clock Status</p> <p>The LOCS0 indicates when a loss of OSC0 reference clock has occurred. The LOCS0 bit only has an effect when CME0 is set. This bit is cleared by writing a logic 1 to it when set.</p> <p>0 Loss of OSC0 has not occurred. 1 Loss of OSC0 has occurred.</p>

24.3.9 MCG Auto Trim Compare Value High Register (MCG_ATCVH)

Address: 4006_4000h base + Ah offset = 4006_400Ah

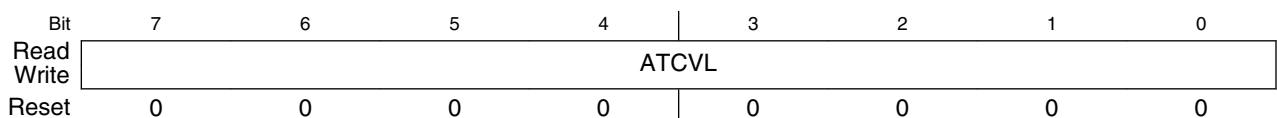


MCG_ATCVH field descriptions

Field	Description
7-0 ATCVH	<p>ATM Compare Value High</p> <p>Values are used by Auto Trim Machine to compare and adjust Internal Reference trim values during ATM SAR conversion.</p>

24.3.10 MCG Auto Trim Compare Value Low Register (MCG_ATCVL)

Address: 4006_4000h base + Bh offset = 4006_400Bh



MCG_ATCVL field descriptions

Field	Description
7–0 ATCVL	ATM Compare Value Low Values are used by Auto Trim Machine to compare and adjust Internal Reference trim values during ATM SAR conversion.

24.3.11 MCG Control 7 Register (MCG_C7)

Address: 4006_4000h base + Ch offset = 4006_400Ch

Bit	7	6	5	4	3	2	1	0	
Read	0				0				OSCSEL
Write									
Reset	0	0	0	0	0	0	0	0	

MCG_C7 field descriptions

Field	Description
7–6 Reserved	This field is reserved. This read-only field is reserved and always has the value 0.
5–1 Reserved	Reserved This field is reserved. This read-only field is reserved and always has the value 0.
0 OSCSEL	MCG OSC Clock Select Selects the MCG FLL external reference clock 0 Selects Oscillator (OSCCLK). 1 Selects 32 kHz RTC Oscillator.

24.3.12 MCG Control 8 Register (MCG_C8)

Address: 4006_4000h base + Dh offset = 4006_400Dh

Bit	7	6	5	4	3	2	1	0
Read	0	LOLRE	0	0				0
Write								
Reset	1	0	0	0	0	0	0	0

MCG_C8 field descriptions

Field	Description
7 Reserved	This field is reserved. This read-only field is reserved and always has the value 0.

Table continues on the next page...

MCG_C8 field descriptions (continued)

Field	Description
6 LOLRE	PLL Loss of Lock Reset Enable Determines if a interrupt or a reset request is made following a PLL loss of lock. 0 Interrupt request is generated on a PLL loss of lock indication. The PLL loss of lock interrupt enable bit must also be set to generate the interrupt request. 1 Generate a reset request on a PLL loss of lock indication.
5 Reserved	This field is reserved. This read-only field is reserved and always has the value 0.
4-1 Reserved	This field is reserved. This read-only field is reserved and always has the value 0.
0 Reserved	This field is reserved. This read-only field is reserved and always has the value 0.

24.3.13 MCG Control 9 Register (MCG_C9)

Address: 4006_4000h base + Eh offset = 4006_400Eh

Bit	7	6	5	4	3	2	1	0
Read	0	0	0	0	0	0	0	0
Write								
Reset	0	0	0	0	0	0	0	0

MCG_C9 field descriptions

Field	Description
7-6 Reserved	This field is reserved. This read-only field is reserved and always has the value 0.
5-4 Reserved	Reserved This field is reserved. This read-only field is reserved and always has the value 0.
3-1 Reserved	This field is reserved. This read-only field is reserved and always has the value 0.
0 Reserved	This field is reserved. This read-only field is reserved and always has the value 0.

24.3.14 MCG Control 10 Register (MCG_C10)

Address: 4006_4000h base + Fh offset = 4006_400Fh

Bit	7	6	5	4	3	2	1	0
Read	0				0			
Write								
Reset	0	0	0	0	0	0	0	0

MCG_C10 field descriptions

Field	Description
7-4 Reserved	This field is reserved. This read-only field is reserved and always has the value 0.
3-0 Reserved	This field is reserved. This read-only field is reserved and always has the value 0.

24.4 Functional description

24.4.1 MCG mode state diagram

The nine states of the MCG are shown in the following figure and are described in [Table 24-18](#). The arrows indicate the permitted MCG mode transitions.

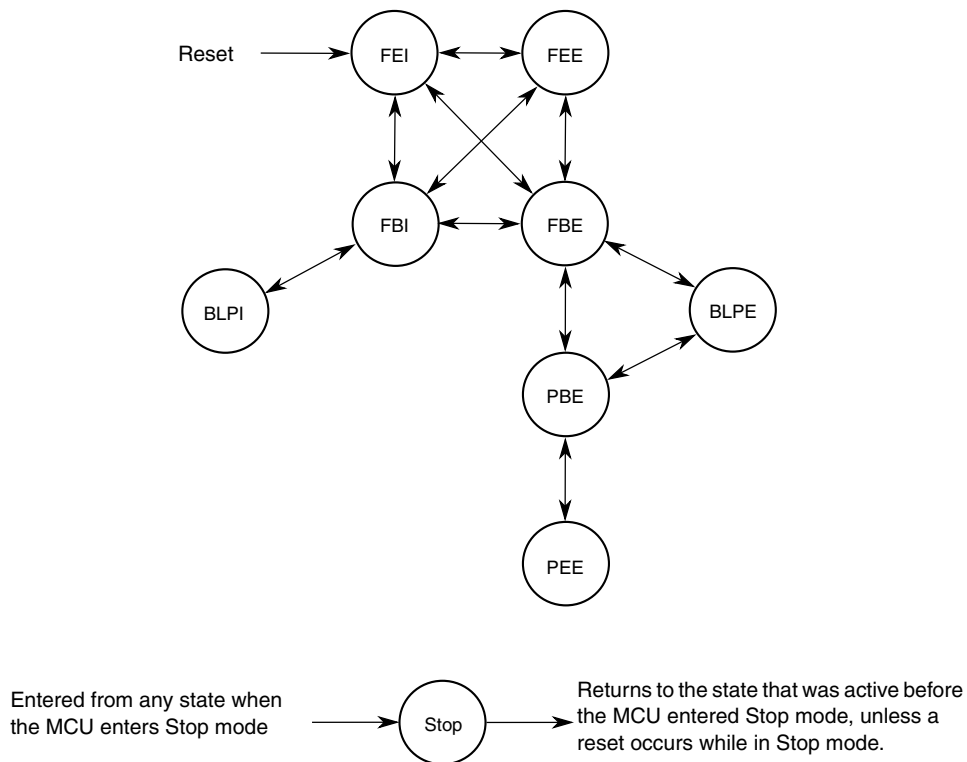


Figure 24-16. MCG mode state diagram

NOTE

- During exits from LLS or VLPS when the MCG is in PEE mode, the MCG will reset to PBE clock mode and the C1[CLKS] and S[CLKST] will automatically be set to 2'b10.
- If entering Normal Stop mode when the MCG is in PEE mode with PLLSTEN=0, the MCG will reset to PBE clock mode and C1[CLKS] and S[CLKST] will automatically be set to 2'b10.

24.4.1.1 MCG modes of operation

The MCG operates in one of the following modes.

Note

The MCG restricts transitions between modes. For the permitted transitions, see [Figure 24-16](#).

Table 24-18. MCG modes of operation

Mode	Description
FLL Engaged Internal (FEI)	<p>FLL engaged internal (FEI) is the default mode of operation and is entered when all the following conditions occur:</p> <ul style="list-style-type: none"> • 00 is written to C1[CLKS] • 1 is written to C1[IREFS] • 0 is written to C6[PLLS] <p>In FEI mode, MCGOUTCLK is derived from the FLL clock (DCOCLK) that is controlled by the 32 kHz Internal Reference Clock (IRC). The FLL loop will lock the DCO frequency to the FLL factor, as selected by C4[DRST_DRS] and C4[DMX32] bits, times the internal reference frequency. See the C4[DMX32] bit description for more details. In FEI mode, the PLL is disabled in a low-power state unless C5[PLLCLKEN] is set .</p>

Table continues on the next page...

Table 24-18. MCG modes of operation (continued)

Mode	Description
FLL Engaged External (FEE)	<p>FLL engaged external (FEE) mode is entered when all the following conditions occur:</p> <ul style="list-style-type: none"> • 00 is written to C1[CLKS] • 0 is written to C1[IREFS] • C1[FRDIV] must be written to divide external reference clock to be within the range of 31.25 kHz to 39.0625 kHz • 0 is written to C6[PLLS] <p>In FEE mode, MCGOUTCLK is derived from the FLL clock (DCOCLK) that is controlled by the external reference clock. The FLL loop will lock the DCO frequency to the FLL factor, as selected by C4[DRST_DRS] and C4[DMX32] bits, times the external reference frequency, as specified by C1[FRDIV] and C2[RANGE0]. See the C4[DMX32] bit description for more details. In FEE mode, the PLL is disabled in a low-power state unless C5[PLLCLKEN] is set .</p>
FLL Bypassed Internal (FBI)	<p>FLL bypassed internal (FBI) mode is entered when all the following conditions occur:</p> <ul style="list-style-type: none"> • 01 is written to C1[CLKS] • 1 is written to C1[IREFS] • 0 is written to C6[PLLS] • 0 is written to C2[LP] <p>In FBI mode, the MCGOUTCLK is derived either from the slow (32 kHz IRC) or fast (4 MHz IRC) internal reference clock, as selected by the C2[IRCS] bit. The FLL is operational but its output is not used. This mode is useful to allow the FLL to acquire its target frequency while the MCGOUTCLK is driven from the C2[IRCS] selected internal reference clock. The FLL clock (DCOCLK) is controlled by the slow internal reference clock, and the DCO clock frequency locks to a multiplication factor, as selected by C4[DRST_DRS] and C4[DMX32] bits, times the internal reference frequency. See the C4[DMX32] bit description for more details. In FBI mode, the PLL is disabled in a low-power state unless C5[PLLCLKEN] is set .</p>
FLL Bypassed External (FBE)	<p>FLL bypassed external (FBE) mode is entered when all the following conditions occur:</p> <ul style="list-style-type: none"> • 10 is written to C1[CLKS] • 0 is written to C1[IREFS] • C1[FRDIV] must be written to divide external reference clock to be within the range of 31.25 kHz to 39.0625 kHz. • 0 is written to C6[PLLS] • 0 is written to C2[LP] <p>In FBE mode, the MCGOUTCLK is derived from the OSCSEL external reference clock. The FLL is operational but its output is not used. This mode is useful to allow the FLL to acquire its target frequency while the MCGOUTCLK is driven from the external reference clock. The FLL clock (DCOCLK) is controlled by the external reference clock, and the DCO clock frequency locks to a multiplication factor, as selected by C4[DRST_DRS] and C4[DMX32] bits, times the divided external reference frequency. See the C4[DMX32] bit description for more details. In FBI mode, the PLL is disabled in a low-power state unless C5[PLLCLKEN] is set .</p>

Table continues on the next page...

Table 24-18. MCG modes of operation (continued)

Mode	Description
PLL Engaged External (PEE)	<p>PLL Engaged External (PEE) mode is entered when all the following conditions occur:</p> <ul style="list-style-type: none"> • 00 is written to C1[CLKS] • 0 is written to C1[IREFS] • 1 is written to C6[PLLS] <p>In PEE mode, the MCGOUTCLK is derived from the output of PLL which is controlled by a external reference clock. The PLL clock frequency locks to a multiplication factor, as specified by its corresponding VDIV, times the selected PLL reference frequency, as specified by its corresponding PRDIV. The PLL's programmable reference divider must be configured to produce a valid PLL reference clock. The FLL is disabled in a low-power state.</p>
PLL Bypassed External (PBE)	<p>PLL Bypassed External (PBE) mode is entered when all the following conditions occur:</p> <ul style="list-style-type: none"> • 10 is written to C1[CLKS] • 0 is written to C1[IREFS] • 1 is written to C6[PLLS] • 0 is written to C2[LP] <p>In PBE mode, MCGOUTCLK is derived from the OSCSEL external reference clock; the PLL is operational, but its output clock is not used. This mode is useful to allow the PLL to acquire its target frequency while MCGOUTCLK is driven from the external reference clock. The PLL clock frequency locks to a multiplication factor, as specified by its [VDIV], times the PLL reference frequency, as specified by its [PRDIV]. In preparation for transition to PEE, the PLL's programmable reference divider must be configured to produce a valid PLL reference clock. The FLL is disabled in a low-power state.</p>
Bypassed Low Power Internal (BLPI) ¹	<p>Bypassed Low Power Internal (BLPI) mode is entered when all the following conditions occur:</p> <ul style="list-style-type: none"> • 01 is written to C1[CLKS] • 1 is written to C1[IREFS] • 0 is written to C6[PLLS] • 1 is written to C2[LP] <p>In BLPI mode, MCGOUTCLK is derived from the internal reference clock. The FLL is disabled and PLL is disabled even if the C5[PLLCLKEN] is set to 1.</p>
Bypassed Low Power External (BLPE)	<p>Bypassed Low Power External (BLPE) mode is entered when all the following conditions occur:</p> <ul style="list-style-type: none"> • 10 is written to C1[CLKS] • 0 is written to C1[IREFS] • 1 is written to C2[LP] <p>In BLPE mode, MCGOUTCLK is derived from the OSCSEL external reference clock. The FLL is disabled and PLL is disabled even if the C5[PLLCLKEN] is set to 1.</p>

Table continues on the next page...

Table 24-18. MCG modes of operation (continued)

Mode	Description
Stop	<p>Entered whenever the MCU enters a Stop state. The power modes are chip specific. For power mode assignments, see the chapter that describes how modules are configured and MCG behavior during Stop recovery. Entering Stop mode, the FLL is disabled, and all MCG clock signals are static except in the following case:</p> <p>MCGPLLCLK is active in Normal Stop mode when PLLSTEN=1</p> <p>MCGPLL1CLK is active in Normal Stop mode when PLLSTEN1=1</p> <p>MCGIRCLK is active in Normal Stop mode when all the following conditions become true:</p> <ul style="list-style-type: none"> • C1[IRCLKEN] = 1 • C1[IREFSTEN] = 1 <p>NOTE:</p> <ul style="list-style-type: none"> • In VLPS Stop Mode, the MCGIRCLK can be programmed to stay enabled and continue running if C1[IRCLKEN] = 1, C1[IREFSTEN]=1, and Fast IRC clock is selected (C2[IRCS] = 1) <p>NOTE:</p> <ul style="list-style-type: none"> • When entering Low Power Stop modes (LLS or VLPS) from PEE mode, on exit the MCG clock mode is forced to PBE clock mode. C1[CLKS] and S[CLKST] will be configured to 2'b10 if entering from PEE mode or to 2'b01 if entering from PEI mode, C5[PLLSTEN0] will be force to 1'b0 and S[LOCK] bit will be cleared without setting S[LOLS]. • When entering Normal Stop mode from PEE mode and if C5[PLLSTEN]=0, on exit the MCG clock mode is forced to PBE mode, the C1[CLKS] and S[CLKST] will be configured to 2'b10 and S[LOCK] bit will clear without setting S[LOLS]. If C5[PLLSTEN]=1, the S[LOCK] bit will not get cleared and on exit the MCG will continue to run in PEE mode.

1. If entering VLPR mode, MCG has to be configured and enter BLPE mode or BLPI mode with the Fast IRC clock selected (C2[IRCS]=1). After it enters VLPR mode, writes to any of the MCG control registers that can cause an MCG clock mode switch to a non low power clock mode must be avoided.

NOTE

For the chip-specific modes of operation, see the power management chapter of this MCU.

24.4.1.2 MCG mode switching

The C1[IREFS] bit can be changed at any time, but the actual switch to the newly selected reference clocks is shown by the S[IREFST] bit. When switching between engaged internal and engaged external modes, the FLL will begin locking again after the switch is completed.

The C1[CLKS] bits can also be changed at any time, but the actual switch to the newly selected clock is shown by the S[CLKST] bits. If the newly selected clock is not available, the previous clock will remain selected.

The C4[DRST_DRS] write bits can be changed at any time except when C2[LP] bit is 1. If the C4[DRST_DRS] write bits are changed while in FLL engaged internal (FEI) or FLL engaged external (FEE), the MCGOUTCLK will switch to the new selected DCO range within three clocks of the selected DCO clock. After switching to the new DCO, the FLL remains unlocked for several reference cycles. DCO startup time is equal to the FLL acquisition time. After the selected DCO startup time is over, the FLL is locked. The completion of the switch is shown by the C4[DRST_DRS] read bits.

24.4.2 Low Power Bit Usage

The C2[LP] bit is provided to allow the FLL or PLL to be disabled and thus conserve power when these systems are not being used. The C4[DRST_DRS] can not be written while C2[LP] bit is 1. However, in some applications, it may be desirable to enable the FLL or PLL and allow it to lock for maximum accuracy before switching to an engaged mode. Do this by writing C2[LP] to 0.

24.4.3 MCG Internal Reference Clocks

This module supports two internal reference clocks with nominal frequencies of 32 kHz (slow IRC) and 4 MHz (fast IRC). The fast IRC frequency can be divided down by programming of the FCRDIV to produce a frequency range of 32 kHz to 4 MHz.

24.4.3.1 MCG Internal Reference Clock

The MCG Internal Reference Clock (MCGIRCLK) provides a clock source for other on-chip peripherals and is enabled when C1[IRCLKEN]=1. When enabled, MCGIRCLK is driven by either the fast internal reference clock (4 MHz IRC which can be divided down by the FRDIV factors) or the slow internal reference clock (32 kHz IRC). The IRCS clock frequency can be re-targeted by trimming the period of its IRCS selected internal reference clock. This can be done by writing a new trim value to the C3[SCTRIM]:C4[SCFTRIM] bits when the slow IRC clock is selected or by writing a new trim value to the C4[FCTRIM]:C2[FCFTRIM] bits when the fast IRC clock is selected. The internal reference clock period is proportional to the trim value written. C3[SCTRIM]:C4[SCFTRIM] (if C2[IRCS]=0) and C4[FCTRIM]:C2[FCFTRIM] (if C2[IRCS]=1) bits affect the MCGOUTCLK frequency if the MCG is in FBI or BLPI modes. C3[SCTRIM]:C4[SCFTRIM] (if C2[IRCS]=0) bits also affect the MCGOUTCLK frequency if the MCG is in FEI mode.

Additionally, this clock can be enabled in Stop mode by setting C1[IRCLKEN] and C1[IREFSTEN], otherwise this clock is disabled in Stop mode.

24.4.4 External Reference Clock

The MCG module can support an external reference clock in all modes. See the device datasheet for external reference frequency range. When C1[IREFS] is set, the external reference clock will not be used by the FLL or PLL. In these modes, the frequency can be equal to the maximum frequency the chip-level timing specifications will support.

If any of the CME bits are asserted the slow internal reference clock is enabled along with the enabled external clock monitor. For the case when C6[CME0]=1, a loss of clock is detected if the OSC0 external reference falls below a minimum frequency (f_{loc_high} or f_{loc_low} depending on C2[RANGE0]).

NOTE

All clock monitors must be disabled before entering these low-power modes: Stop, VLPS, VLPR, VLPW, LLS, and VLLSx.

Upon detect of a loss of clock event, the MCU generates a system reset if the respective LOCRE bit is set. Otherwise the MCG sets the respective LOCS bit and the MCG generates a LOCS interrupt request. In the case where a OSC loss of clock is detected, the PLL LOCK status bit is cleared.

24.4.5 MCG Fixed frequency clock

The MCG Fixed Frequency Clock (MCGFFCLK) provides a fixed frequency clock source for other on-chip peripherals; see the block diagram. This clock is driven by either the slow clock from the internal reference clock generator or the external reference clock from the Crystal Oscillator, divided by the FLL reference clock divider. The source of MCGFFCLK is selected by C1[IREFS].

This clock is synchronized to the peripheral bus clock and is valid only when its frequency is not more than 1/8 of the MCGOUTCLK frequency. When it is not valid, it is disabled and held high. The MCGFFCLK is not available when the MCG is in BLPI mode. This clock is also disabled in Stop mode. The FLL reference clock must be set within the valid frequency range for the MCGFFCLK.

24.4.6 MCG PLL clock

The MCG PLL Clock (MCGPLLCLK) is available depending on the device's configuration of the MCG module. For more details, see the clock distribution chapter of this MCU. The MCGPLLCLK is prevented from coming out of the MCG until it is enabled and S[LOCK0] is set.

24.4.7 MCG Auto TRIM (ATM)

The MCG Auto Trim (ATM) is a MCG feature that when enabled, it configures the MCG hardware to automatically trim the MCG Internal Reference Clocks using an external clock as a reference. The selection between which MCG IRC clock gets tested and enabled is controlled by the ATC[ATMS] control bit (ATC[ATMS]=0 selects the 32 kHz IRC and ATC[ATMS]=1 selects the 4 MHz IRC). If 4 MHz IRC is selected for the ATM, a divide by 128 is enabled to divide down the 4 MHz IRC to a range of 31.250 kHz.

When MCG ATM is enabled by writing ATC[ATME] bit to 1, The ATM machine will start auto trimming the selected IRC clock. During the autotrim process, ATC[ATME] will remain asserted and will deassert after ATM is completed or an abort occurs. The MCG ATM is aborted if a write to any of the following control registers is detected : C1, C3, C4, or ATC or if Stop mode is entered. If an abort occurs, ATC[ATMF] fail flag is asserted.

The ATM machine uses the bus clock as the external reference clock to perform the IRC auto-trim. Therefore, it is required that the MCG is configured in a clock mode where the reference clock used to generate the system clock is the external reference clock such as FBE clock mode. The MCG must not be configured in a clock mode where selected IRC ATM clock is used to generate the system clock. The bus clock is also required to be running with in the range of 8–16 MHz.

To perform the ATM on the selected IRC, the ATM machine uses the successive approximation technique to adjust the IRC trim bits to generate the desired IRC trimmed frequency. The ATM SARs each of the ATM IRC trim bits starting with the MSB. For each trim bit test, the ATM uses a pulse that is generated by the ATM selected IRC clock to enable a counter that counts number of ATM external clocks. At end of each trim bit, the ATM external counter value is compared to the ATCV[15:0] register value. Based on the comparison result, the ATM trim bit under test will get cleared or stay asserted. This is done until all trim bits have been tested by ATM SAR machine.

Before the ATM can be enabled, the ATM expected count needs to be derived and stored into the ATCV register. The ATCV expected count is derived based on the required target Internal Reference Clock (IRC) frequency, and the frequency of the external reference clock using the following formula:

$$\text{ATCV ExpectedCount Value} = 21 * (\text{Fe} / \text{Fr})$$

- Fr = Target Internal Reference Clock (IRC) Trimmed Frequency
- Fe = External Clock Frequency

If the auto trim is being performed on the 4 MHz IRC, the calculated expected count value must be multiplied by 128 before storing it in the ATCV register. Therefore, the ATCV Expected Count Value for trimming the 4 MHz IRC is calculated using the following formula.

$$\text{ExpectedCount Value} = (\text{Fe} / \text{Fr}) * 21 * (128)$$

24.5 Initialization / Application information

This section describes how to initialize and configure the MCG module in an application. The following sections include examples on how to initialize the MCG and properly switch between the various available modes.

24.5.1 MCG module initialization sequence

The MCG comes out of reset configured for FEI mode. The internal reference will stabilize in t_{irefsts} microseconds before the FLL can acquire lock. As soon as the internal reference is stable, the FLL will acquire lock in $t_{\text{fll_acquire}}$ milliseconds.

24.5.1.1 Initializing the MCG

Because the MCG comes out of reset in FEI mode, the only MCG modes that can be directly switched to upon reset are FEE, FBE, and FBI modes (see [Figure 24-16](#)). Reaching any of the other modes requires first configuring the MCG for one of these three intermediate modes. Care must be taken to check relevant status bits in the MCG status register reflecting all configuration changes within each mode.

To change from FEI mode to FEE or FBE modes, follow this procedure:

1. Enable the external clock source by setting the appropriate bits in C2 register.
2. Write to C1 register to select the clock mode.
 - If entering FEE mode, set C1[FRDIV] appropriately, clear the C1[IREFS] bit to switch to the external reference, and leave the C1[CLKS] bits at 2'b00 so that the output of the FLL is selected as the system clock source.

- If entering FBE, clear the C1[IREFS] bit to switch to the external reference and change the C1[CLKS] bits to 2'b10 so that the external reference clock is selected as the system clock source. The C1[FRDIV] bits should also be set appropriately here according to the external reference frequency to keep the FLL reference clock in the range of 31.25 kHz to 39.0625 kHz. Although the FLL is bypassed, it is still on in FBE mode.
 - The internal reference can optionally be kept running by setting the C1[IRCLKEN] bit. This is useful if the application will switch back and forth between internal and external modes. For minimum power consumption, leave the internal reference disabled while in an external clock mode.
3. Once the proper configuration bits have been set, wait for the affected bits in the MCG status register to be changed appropriately, reflecting that the MCG has moved into the proper mode.
 - If the MCG is in FEE, FBE, PEE, PBE, or BLPE mode, and C2[EREFS0] was also set in step 1, wait here for S[OSCINIT0] bit to become set indicating that the external clock source has finished its initialization cycles and stabilized.
 - If in FEE mode, check to make sure the S[IREFST] bit is cleared before moving on.
 - If in FBE mode, check to make sure the S[IREFST] bit is cleared and S[CLKST] bits have changed to 2'b10 indicating the external reference clock has been appropriately selected. Although the FLL is bypassed, it is still on in FBE mode.
 4. Write to the C4 register to determine the DCO output (MCGFLLCLK) frequency range.
 - By default, with C4[DMX32] cleared to 0, the FLL multiplier for the DCO output is 640. For greater flexibility, if a mid-low-range FLL multiplier of 1280 is desired instead, set C4[DRST_DRS] bits to 2'b01 for a DCO output frequency of 40 MHz. If a mid high-range FLL multiplier of 1920 is desired instead, set the C4[DRST_DRS] bits to 2'b10 for a DCO output frequency of 60 MHz. If a high-range FLL multiplier of 2560 is desired instead, set the C4[DRST_DRS] bits to 2'b11 for a DCO output frequency of 80 MHz.
 - When using a 32.768 kHz external reference, if the maximum low-range DCO frequency that can be achieved with a 32.768 kHz reference is desired, set C4[DRST_DRS] bits to 2'b00 and set C4[DMX32] bit to 1. The resulting DCO output (MCGOUTCLK) frequency with the new multiplier of 732 will be 24 MHz.

- When using a 32.768 kHz external reference, if the maximum mid-range DCO frequency that can be achieved with a 32.768 kHz reference is desired, set C4[DRST_DRS] bits to 2'b01 and set C4[DMX32] bit to 1. The resulting DCO output (MCGOUTCLK) frequency with the new multiplier of 1464 will be 48 MHz.
 - When using a 32.768 kHz external reference, if the maximum mid high-range DCO frequency that can be achieved with a 32.768 kHz reference is desired, set C4[DRST_DRS] bits to 2'b10 and set C4[DMX32] bit to 1. The resulting DCO output (MCGOUTCLK) frequency with the new multiplier of 2197 will be 72 MHz.
 - When using a 32.768 kHz external reference, if the maximum high-range DCO frequency that can be achieved with a 32.768 kHz reference is desired, set C4[DRST_DRS] bits to 2'b11 and set C4[DMX32] bit to 1. The resulting DCO output (MCGOUTCLK) frequency with the new multiplier of 2929 will be 96 MHz.
5. Wait for the FLL lock time to guarantee FLL is running at new C4[DRST_DRS] and C4[DMX32] programmed frequency.

To change from FEI clock mode to FBI clock mode, follow this procedure:

1. Change C1[CLKS] bits in C1 register to 2'b01 so that the internal reference clock is selected as the system clock source.
2. Wait for S[CLKST] bits in the MCG status register to change to 2'b01, indicating that the internal reference clock has been appropriately selected.
3. Write to the C2 register to determine the IRCS output (IRCSCLK) frequency range.
 - By default, with C2[IRCS] cleared to 0, the IRCS selected output clock is the slow internal reference clock (32 kHz IRC). If the faster IRC is desired, set C2[IRCS] bit to 1 for a IRCS clock derived from the 4 MHz IRC source.

24.5.2 Using a 32.768 kHz reference

In FEE and FBE modes, if using a 32.768 kHz external reference, at the default FLL multiplication factor of 640, the DCO output (MCGFLLCLK) frequency is 20.97 MHz at low-range. If C4[DRST_DRS] bits are set to 2'b01, the multiplication factor is doubled to 1280, and the resulting DCO output frequency is 41.94 MHz at mid-low-range. If C4[DRST_DRS] bits are set to 2'b10, the multiplication factor is set to 1920, and the

resulting DCO output frequency is 62.91 MHz at mid high-range. If C4[DRST_DRS] bits are set to 2'b11, the multiplication factor is set to 2560, and the resulting DCO output frequency is 83.89 MHz at high-range.

In FBI and FEI modes, setting C4[DMX32] bit is not recommended. If the internal reference is trimmed to a frequency above 32.768 kHz, the greater FLL multiplication factor could potentially push the microcontroller system clock out of specification and damage the part.

24.5.3 MCG mode switching

When switching between operational modes of the MCG, certain configuration bits must be changed in order to properly move from one mode to another. Each time any of these bits are changed (C6[PLLS], C1[IREFS], C1[CLKS], C2[IRCS], or C2[EREFS0]), the corresponding bits in the MCG status register (PLLST, IREFST, CLKST, IRCST, or OSCINIT) must be checked before moving on in the application software.

Additionally, care must be taken to ensure that the reference clock divider (C1[FRDIV] and C5[PRDIV0]) is set properly for the mode being switched to. For instance, in PEE mode, if using a 4 MHz crystal, C5[PRDIV0] must be set to 5'b000 (divide-by-1) or 5'b001 (divide-by-2) to divide the external reference down to the required frequency between 2 and 4 MHz.

In FBE, FEE, FBI, and FEI modes, at any time, the application can switch the FLL multiplication factor between 640, 1280, 1920, and 2560 with C4[DRST_DRS] bits. Writes to C4[DRST_DRS] bits will be ignored if C2[LP]=1.

The table below shows MCGOUTCLK frequency calculations using C1[FRDIV], C5[PRDIV0], and C6[VDIV0] settings for each clock mode.

Table 24-19. MCGOUTCLK Frequency Calculation Options

Clock Mode	$f_{MCGOUTCLK}^1$	Note
FEI (FLL engaged internal)	$(f_{int} * F)$	Typical $f_{MCGOUTCLK} = 21$ MHz immediately after reset.
FEE (FLL engaged external)	$(f_{ext} / FLL_R) * F$	f_{ext} / FLL_R must be in the range of 31.25 kHz to 39.0625 kHz
FBE (FLL bypassed external)	OSCCLK	OSCCLK / FLL_R must be in the range of 31.25 kHz to 39.0625 kHz
FBI (FLL bypassed internal)	MCGIRCLK	Selectable between slow and fast IRC
PEE (PLL engaged external)	$(OSCCLK / PLL_R) * M$	OSCCLK / PLL_R must be in the range of 2 – 4 MHz
PBE (PLL bypassed external)	OSCCLK	OSCCLK / PLL_R must be in the range of 2 – 4 MHz

Table continues on the next page...

Table 24-19. MCGOUTCLK Frequency Calculation Options (continued)

Clock Mode	$f_{\text{MCGOUTCLK}}^1$	Note
BLPI (Bypassed low power internal)	MCGIRCLK	Selectable between slow and fast IRC
BLPE (Bypassed low power external)	OSCCLK	

1. FLL_R is the reference divider selected by the C1[FRDIV] bits, PLL_R is the reference divider selected by C5[PRDIV0] bits, F is the FLL factor selected by C4[DRST_DRS] and C4[DMX32] bits, and M is the multiplier selected by C6[VDIV0] bits.

This section will include three mode switching examples using an 4 MHz external crystal. If using an external clock source less than 2 MHz, the MCG must not be configured for any of the PLL modes (PEE and PBE).

24.5.3.1 Example 1: Moving from FEI to PEE mode: External Crystal = 4 MHz, MCGOUTCLK frequency = 48 MHz

In this example, the MCG will move through the proper operational modes from FEI to PEE to achieve 48 MHz MCGOUTCLK frequency from 4 MHz external crystal reference. First, the code sequence will be described. Then there is a flowchart that illustrates the sequence.

1. First, FEI must transition to FBE mode:
 - a. C2 = 0x2C
 - C2[RANGE0] set to 2'b01 because the frequency of 4 MHz is within the high frequency range.
 - C2[HGO0] set to 1 to configure the crystal oscillator for high gain operation.
 - C2[EREFS0] set to 1, because a crystal is being used.
 - b. C1 = 0x90
 - C1[CLKS] set to 2'b10 to select external reference clock as system clock source
 - C1[FRDIV] set to 3'b010, or divide-by-128 because $4 \text{ MHz} / 128 = 31.25 \text{ kHz}$ which is in the 31.25 kHz to 39.0625 kHz range required by the FLL
 - C1[IREFS] cleared to 0, selecting the external reference clock and enabling the external oscillator.

- c. Loop until S[OSCINIT0] is 1, indicating the crystal selected by C2[EREFS0] has been initialized.
 - d. Loop until S[IREFST] is 0, indicating the external reference is the current source for the reference clock.
 - e. Loop until S[CLKST] is 2'b10, indicating that the external reference clock is selected to feed MCGOUTCLK.
2. Then configure C5[PRDIV0] to generate correct PLL reference frequency.
 - a. C5 = 0x01
 - C5[PRDIV] set to 5'b00001, or divide-by-2 resulting in a pll reference frequency of $4\text{MHz}/2 = 2\text{ MHz}$.
3. Then, FBE must transition either directly to PBE mode or first through BLPE mode and then to PBE mode:
 - a. BLPE: If a transition through BLPE mode is desired, first set C2[LP] to 1.
 - b. BLPE/PBE: C6 = 0x40
 - C6[PLLS] set to 1, selects the PLL. At this time, with a C1[PRDIV] value of 2'b001, the PLL reference divider is 2 (see PLL External Reference Divide Factor table), resulting in a reference frequency of $4\text{ MHz}/2 = 2\text{ MHz}$. In BLPE mode, changing the C6[PLLS] bit only prepares the MCG for PLL usage in PBE mode.
 - C6[VDIV] set to 5'b00000, or multiply-by-24 because $2\text{ MHz reference} * 24 = 48\text{ MHz}$. In BLPE mode, the configuration of the VDIV bits does not matter because the PLL is disabled. Changing them only sets up the multiply value for PLL usage in PBE mode.
 - c. BLPE: If transitioning through BLPE mode, clear C2[LP] to 0 here to switch to PBE mode.
 - d. PBE: Loop until S[PLLST] is set, indicating that the current source for the PLLS clock is the PLL.
 - e. PBE: Then loop until S[LOCK0] is set, indicating that the PLL has acquired lock.
 4. Lastly, PBE mode transitions into PEE mode:
 - a. C1 = 0x10

- C1[CLKS] set to 2'b00 to select the output of the PLL as the system clock source.
- b. Loop until S[CLKST] are 2'b11, indicating that the PLL output is selected to feed MCGOUTCLK in the current clock mode.
- Now, with PRDIV of divide-by-2, and C6[VDIV] of multiply-by-24,
 $MCGOUTCLK = [(4 \text{ MHz} / 2) * 24] = 48 \text{ MHz}$.

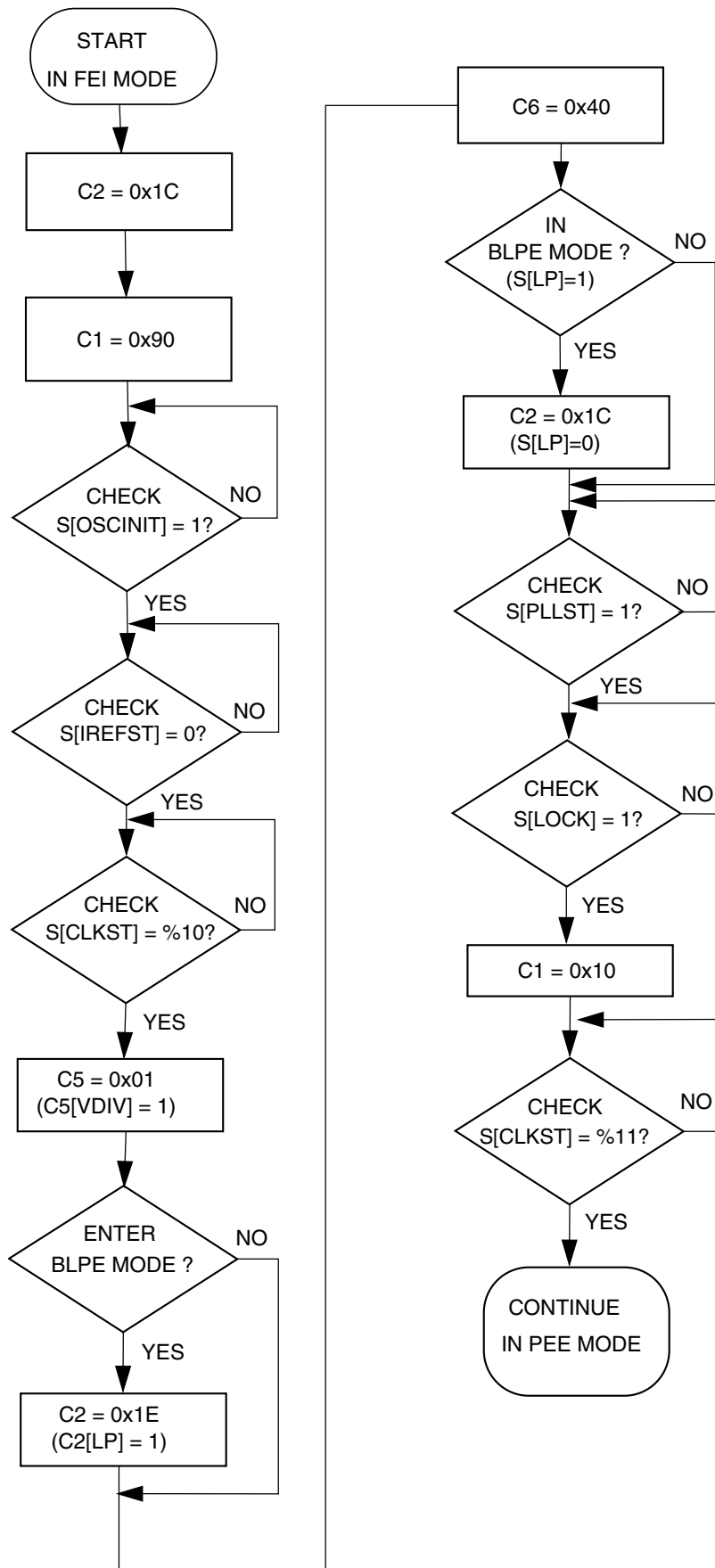


Figure 24-17. Flowchart of FEI to PEE mode transition using an 4 MHz crystal
 KL36 Sub-Family Reference Manual, Rev. 3, July 2013

24.5.3.2 Example 2: Moving from PEE to BLPI mode: MCGOUTCLK frequency =32 kHz

In this example, the MCG will move through the proper operational modes from PEE mode with a 4 MHz crystal configured for a 48 MHz MCGOUTCLK frequency (see previous example) to BLPI mode with a 32 kHz MCGOUTCLK frequency. First, the code sequence will be described. Then there is a flowchart that illustrates the sequence.

1. First, PEE must transition to PBE mode:
 - a. $C1 = 0x90$
 - $C1[CLKS]$ set to $2'b10$ to switch the system clock source to the external reference clock.
 - b. Loop until $S[CLKST]$ are $2'b10$, indicating that the external reference clock is selected to feed MCGOUTCLK.
2. Then, PBE must transition either directly to FBE mode or first through BLPE mode and then to FBE mode:
 - a. BLPE: If a transition through BLPE mode is desired, first set $C2[LP]$ to 1.
 - b. BLPE/FBE: $C6 = 0x00$
 - $C6[PLLS]$ clear to 0 to select the FLL. At this time, with $C1[FRDIV]$ value of $3'b010$, the FLL divider is set to 128, resulting in a reference frequency of $4\text{ MHz} / 128 = 31.25\text{ kHz}$. If $C1[FRDIV]$ was not previously set to $3'b010$ (necessary to achieve required 31.25–39.06 kHz FLL reference frequency with an 4 MHz external source frequency), it must be changed prior to clearing $C6[PLLS]$ bit. In BLPE mode, changing this bit only prepares the MCG for FLL usage in FBE mode. With $C6[PLLS] = 0$, the $C6[VDIV]$ value does not matter.
 - c. BLPE: If transitioning through BLPE mode, clear $C2[LP]$ to 0 here to switch to FBE mode.
 - d. FBE: Loop until $S[PLLST]$ is cleared, indicating that the current source for the PLLS clock is the FLL.
3. Next, FBE mode transitions into FBI mode:
 - a. $C1 = 0x54$
 - $C1[CLKS]$ set to $2'b01$ to switch the system clock to the internal reference clock.

- C1[IREFS] set to 1 to select the internal reference clock as the reference clock source.
 - C1[FRDIV] remain unchanged because the reference divider does not affect the internal reference.
- b. Loop until S[IREFST] is 1, indicating the internal reference clock has been selected as the reference clock source.
- c. Loop until S[CLKST] are 2'b01, indicating that the internal reference clock is selected to feed MCGOUTCLK.
4. Lastly, FBI transitions into BLPI mode.
- a. C2 = 0x02
- C2[LP] is 1
 - C2[RANGE0], C2[HGO0], C2[EREFS0], C1[IRCLKEN], and C1[IREFSTEN] bits are ignored when the C1[IREFS] bit is set. They can remain set, or be cleared at this point.

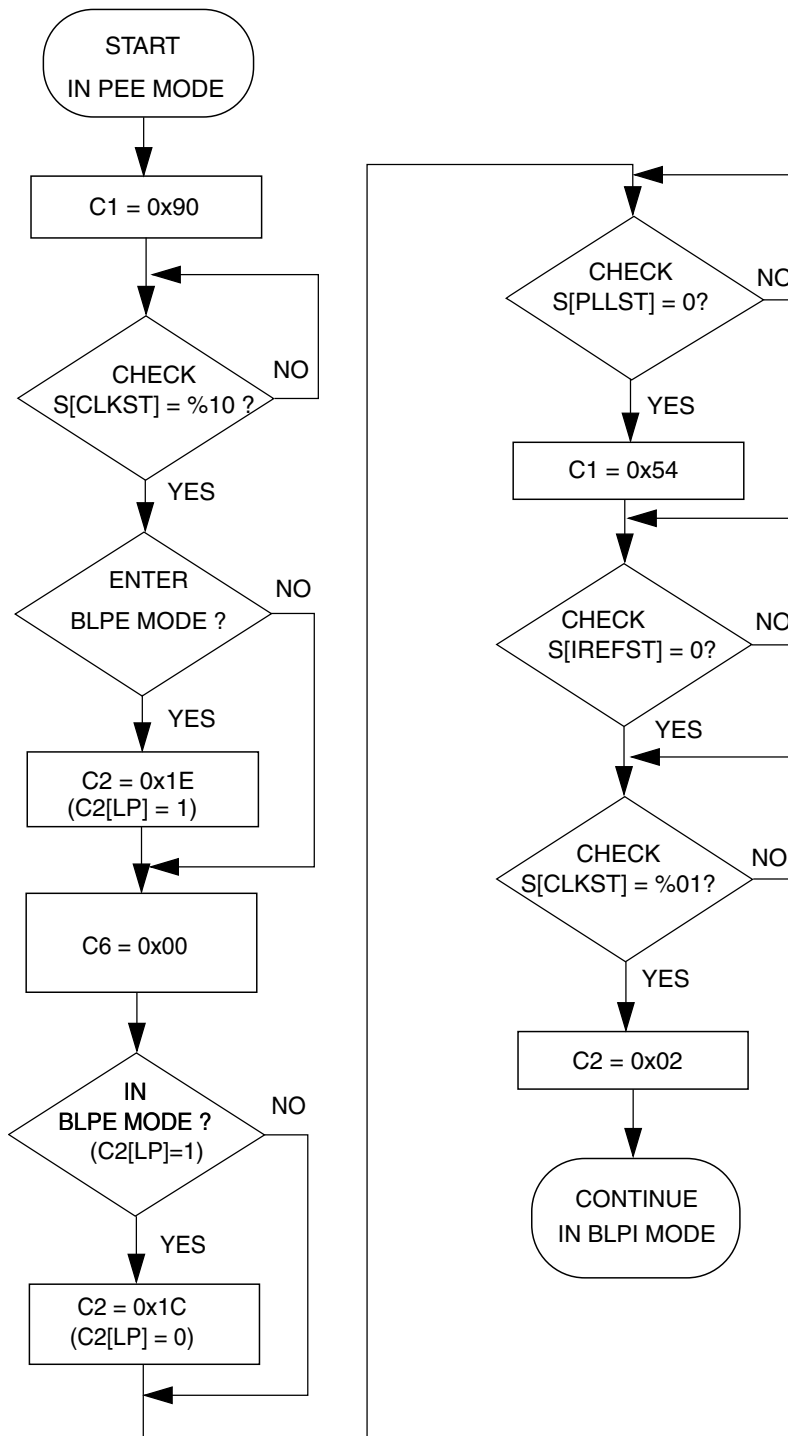


Figure 24-18. Flowchart of PEE to BLPI mode transition using an 4 MHz crystal

Chapter 25

Oscillator (OSC)

25.1 Introduction

NOTE

For the chip-specific implementation details of this module's instances, see the chip configuration information.

The OSC module is a crystal oscillator. The module, in conjunction with an external crystal or resonator, generates a reference clock for the MCU.

25.2 Features and Modes

Key features of the module are:

- Supports 32 kHz crystals (Low Range mode)
- Supports 3–8 MHz, 8–32 MHz crystals and resonators (High Range mode)
- Automatic Gain Control (AGC) to optimize power consumption in high frequency ranges 3–8 MHz, 8–32 MHz using low-power mode
- High gain option in frequency ranges: 32 kHz, 3–8 MHz, and 8–32 MHz
- Voltage and frequency filtering to guarantee clock frequency and stability
- Optionally external input bypass clock from EXTAL signal directly
- One clock for MCU clock system
- Two clocks for on-chip peripherals that can work in Stop modes

[Functional Description](#) describes the module's operation in more detail.

25.3 Block Diagram

The OSC module uses a crystal or resonator to generate three filtered oscillator clock signals. Three clocks are output from OSC module: OSCCLK for MCU system, OSCERCLK for on-chip peripherals, and OSC32KCLK. The OSCCLK can only work in run mode. OSCERCLK and OSC32KCLK can work in low power modes. For the clock source assignments, refer to the clock distribution information of this MCU.

Refer to the chip configuration chapter for the external reference clock source in this MCU.

The following figure shows the block diagram of the OSC module.

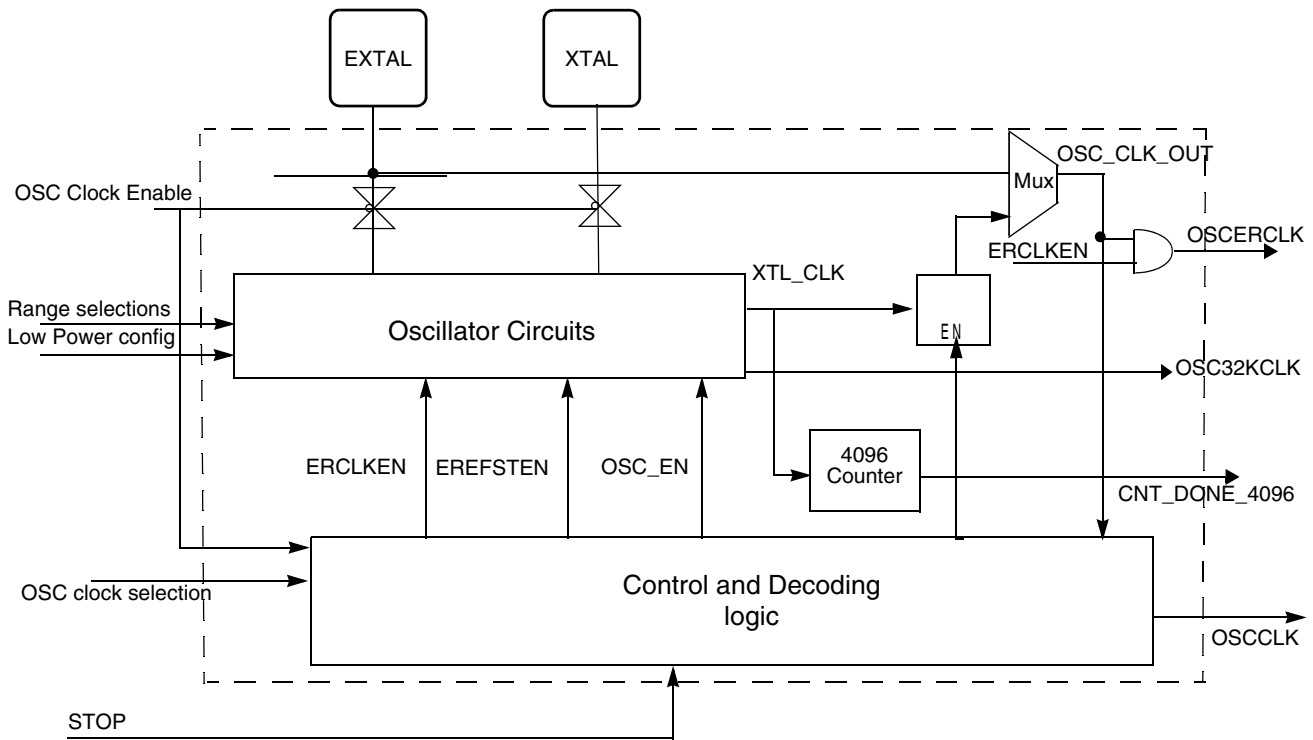


Figure 25-1. OSC Module Block Diagram

25.4 OSC Signal Descriptions

The following table shows the user-accessible signals available for the OSC module. Refer to signal multiplexing information for this MCU for more details.

Table 25-1. OSC Signal Descriptions

Signal	Description	I/O
EXTAL	External clock/Oscillator input	I
XTAL	Oscillator output	O

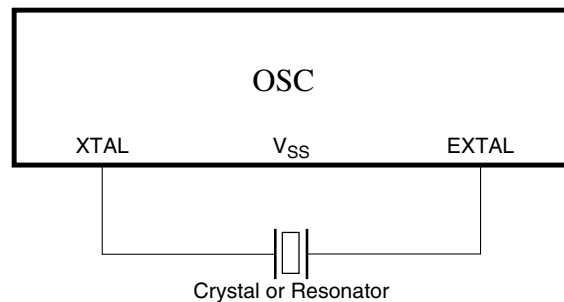
25.5 External Crystal / Resonator Connections

The connections for a crystal/resonator frequency reference are shown in the following figures. When using low-frequency, low-power mode, the only external component is the crystal or ceramic resonator itself. In the other oscillator modes, load capacitors (C_x , C_y) and feedback resistor (R_F) are required. The following table shows all possible connections.

Table 25-2. External Crystal/Resonator Connections

Oscillator Mode	Connections
Low-frequency (32 kHz), low-power	Connection 1 ¹
Low-frequency (32 kHz), high-gain	Connection 2/Connection 3 ²
High-frequency (3~32 MHz), low-power	Connection 3 ¹
High-frequency (3~32 MHz), high-gain	Connection 3

1. With the low-power mode, the oscillator has the internal feedback resistor R_F . Therefore, the feedback resistor must not be externally with the Connection 3.
2. When the load capacitors (C_x , C_y) are greater than 30 pF, use Connection 3.

**Figure 25-2. Crystal/Ceramic Resonator Connections - Connection 1**

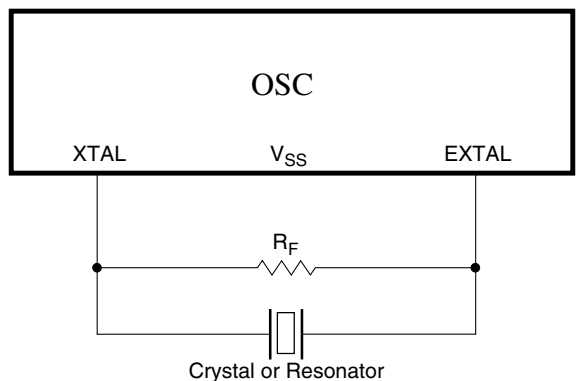


Figure 25-3. Crystal/Ceramic Resonator Connections - Connection 2

NOTE

Connection 1 and Connection 2 should use internal capacitors as the load of the oscillator by configuring the CR[SCxP] bits.

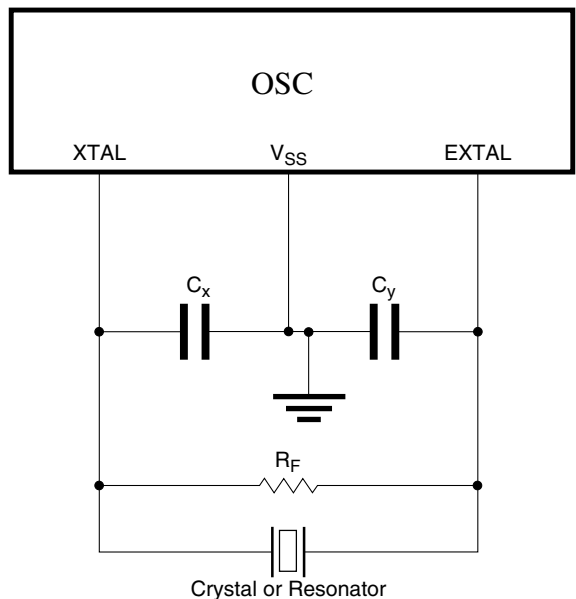


Figure 25-4. Crystal/Ceramic Resonator Connections - Connection 3

25.6 External Clock Connections

In external clock mode, the pins can be connected as shown below.

NOTE

XTAL can be used as a GPIO when the GPIO alternate function is configured for it.

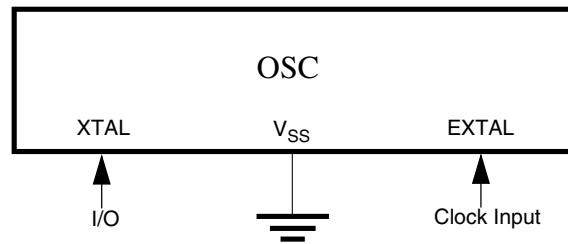


Figure 25-5. External Clock Connections

25.7 Memory Map/Register Definitions

Some oscillator module register bits are typically incorporated into other peripherals such as MCG or SIM.

25.7.1 OSC Memory Map/Register Definition

OSC memory map

Absolute address (hex)	Register name	Width (in bits)	Access	Reset value	Section/page
4006_5000	OSC Control Register (OSC0_CR)	8	R/W	00h	25.71.1/411

25.71.1 OSC Control Register (OSCx_CR)

NOTE

After OSC is enabled and starts generating the clocks, the configurations such as low power and frequency range, must not be changed.

Address: 4006_5000h base + 0h offset = 4006_5000h

Bit	7	6	5	4	3	2	1	0
Read	ERCLKEN	0	EREFSTEN	0	SC2P	SC4P	SC8P	SC16P
Write								
Reset	0	0	0	0	0	0	0	0

OSCx_CR field descriptions

Field	Description
7 ERCLKEN	External Reference Enable Enables external reference clock (OSCERCLK).

Table continues on the next page...

OSCx_CR field descriptions (continued)

Field	Description
	0 External reference clock is inactive. 1 External reference clock is enabled.
6 Reserved	This field is reserved. This read-only field is reserved and always has the value 0.
5 EREFSTEN	External Reference Stop Enable Controls whether or not the external reference clock (OSCERCLK) remains enabled when MCU enters Stop mode. 0 External reference clock is disabled in Stop mode. 1 External reference clock stays enabled in Stop mode if ERCLKEN is set before entering Stop mode.
4 Reserved	This field is reserved. This read-only field is reserved and always has the value 0.
3 SC2P	Oscillator 2 pF Capacitor Load Configure Configures the oscillator load. 0 Disable the selection. 1 Add 2 pF capacitor to the oscillator load.
2 SC4P	Oscillator 4 pF Capacitor Load Configure Configures the oscillator load. 0 Disable the selection. 1 Add 4 pF capacitor to the oscillator load.
1 SC8P	Oscillator 8 pF Capacitor Load Configure Configures the oscillator load. 0 Disable the selection. 1 Add 8 pF capacitor to the oscillator load.
0 SC16P	Oscillator 16 pF Capacitor Load Configure Configures the oscillator load. 0 Disable the selection. 1 Add 16 pF capacitor to the oscillator load.

25.8 Functional Description

The following sections provide functional details of the module.

25.8.1 OSC Module States

The states of the OSC module are shown in the following figure. The states and their transitions between each other are described in this section.

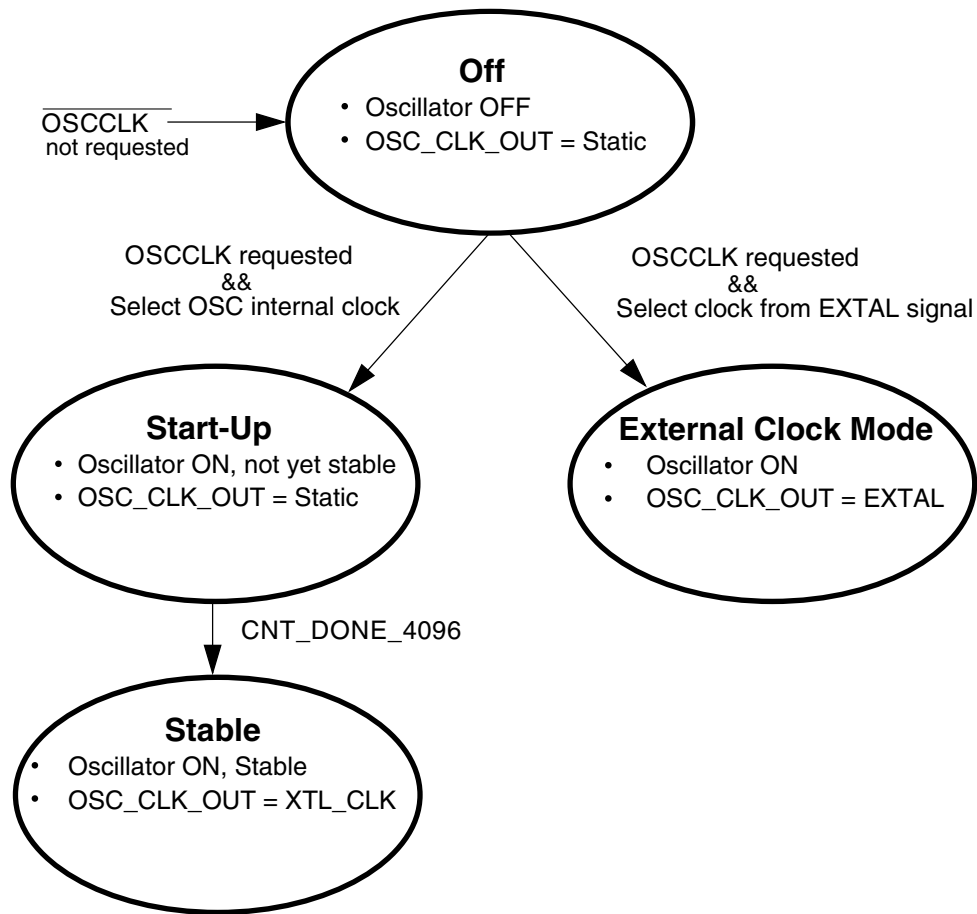


Figure 25-8. OSC Module State Diagram

NOTE

XTL_CLK is the clock generated internally from OSC circuits.

25.8.1.1 Off

The OSC enters the Off state when the system does not require OSC clocks. Upon entering this state, XTL_CLK is static unless OSC is configured to select the clock from the EXTAL pad by clearing the external reference clock selection bit. For details regarding the external reference clock source in this MCU, refer to the chip configuration chapter. The EXTAL and XTAL pins are also decoupled from all other oscillator circuitry in this state. The OSC module circuitry is configured to draw minimal current.

25.8.1.2 Oscillator Start-Up

The OSC enters start-up state when it is configured to generate clocks (internally the OSC_EN transitions high) using the internal oscillator circuits by setting the external reference clock selection bit. In this state, the OSC module is enabled and oscillations are starting up, but have not yet stabilized. When the oscillation amplitude becomes large enough to pass through the input buffer, XTL_CLK begins clocking the counter. When the counter reaches 4096 cycles of XTL_CLK, the oscillator is considered stable and XTL_CLK is passed to the output clock OSC_CLK_OUT.

25.8.1.3 Oscillator Stable

The OSC enters stable state when it is configured to generate clocks (internally the OSC_EN transitions high) using the internal oscillator circuits by setting the external reference clock selection bit and the counter reaches 4096 cycles of XTL_CLK (when CNT_DONE_4096 is high). In this state, the OSC module is producing a stable output clock on OSC_CLK_OUT. Its frequency is determined by the external components being used.

25.8.1.4 External Clock Mode

The OSC enters external clock state when it is enabled and external reference clock selection bit is cleared. For details regarding external reference clock source in this MCU, refer to the chip configuration chapter. In this state, the OSC module is set to buffer (with hysteresis) a clock from EXTAL onto the OSC_CLK_OUT. Its frequency is determined by the external clock being supplied.

25.8.2 OSC Module Modes

The OSC is a Pierce-type oscillator that supports external crystals or resonators operating over the frequency ranges shown in [Table 25-7](#). These modes assume the following conditions: OSC is enabled to generate clocks (OSC_EN=1), configured to generate clocks internally (MCG_C2[EREFS] = 1), and some or one of the other peripherals (MCG, Timer, and so on) is configured to use the oscillator output clock (OSC_CLK_OUT).

Table 25-7. Oscillator Modes

Mode	Frequency Range
Low-frequency, high-gain	f_{osc_lo} (1 kHz) up to f_{osc_lo} (32.768 kHz)

Table continues on the next page...

Table 25-7. Oscillator Modes (continued)

Mode	Frequency Range
High-frequency mode1, high-gain	$f_{\text{osc_hi_1}}$ (3 MHz) up to $f_{\text{osc_hi_1}}$ (8 MHz)
High-frequency mode1, low-power	
High-frequency mode2, high-gain	$f_{\text{osc_hi_2}}$ (8 MHz) up to $f_{\text{osc_hi_2}}$ (32 MHz)
High-frequency mode2, low-power	

NOTE

For information about low power modes of operation used in this chip and their alignment with some OSC modes, refer to the chip's Power Management details.

25.8.2.1 Low-Frequency, High-Gain Mode

In Low-frequency, high-gain mode, the oscillator uses a simple inverter-style amplifier. The gain is set to achieve rail-to-rail oscillation amplitudes.

The oscillator input buffer in this mode is single-ended. It provides low pass frequency filtering as well as hysteresis for voltage filtering and converts the output to logic levels. In this mode, the internal capacitors could be used.

25.8.2.2 Low-Frequency, Low-Power Mode

In low-frequency, low-power mode, the oscillator uses a gain control loop to minimize power consumption. As the oscillation amplitude increases, the amplifier current is reduced. This continues until a desired amplitude is achieved at steady-state. This mode provides low pass frequency filtering as well as hysteresis for voltage filtering and converts the output to logic levels. In this mode, the internal capacitors could be used, the internal feedback resistor is connected, and no external resistor should be used.

In this mode, the amplifier inputs, gain-control input, and input buffer input are all capacitively coupled for leakage tolerance (not sensitive to the DC level of EXTAL).

Also in this mode, all external components except for the resonator itself are integrated, which includes the load capacitors and feedback resistor that biases EXTAL.

25.8.2.3 High-Frequency, High-Gain Mode

In high-frequency, high-gain mode, the oscillator uses a simple inverter-style amplifier. The gain is set to achieve rail-to-rail oscillation amplitudes. This mode provides low pass frequency filtering as well as hysteresis for voltage filtering and converts the output to logic levels.

25.8.2.4 High-Frequency, Low-Power Mode

In high-frequency, low-power mode, the oscillator uses a gain control loop to minimize power consumption. As the oscillation amplitude increases, the amplifier current is reduced. This continues until a desired amplitude is achieved at steady-state. In this mode, no external resistor should be used.

The oscillator input buffer in this mode is differential. It provides low pass frequency filtering as well as hysteresis for voltage filtering and converts the output to logic levels.

25.8.3 Counter

The oscillator output clock (OSC_CLK_OUT) is gated off until the counter has detected 4096 cycles of its input clock (XTL_CLK). After 4096 cycles are completed, the counter passes XTL_CLK onto OSC_CLK_OUT. This counting time-out is used to guarantee output clock stability.

25.8.4 Reference Clock Pin Requirements

The OSC module requires use of both the EXTAL and XTAL pins to generate an output clock in Oscillator mode, but requires only the EXTAL pin in External clock mode. The EXTAL and XTAL pins are available for I/O. For the implementation of these pins on this device, refer to the Signal Multiplexing chapter.

25.9 Reset

There is no reset state associated with the OSC module. The counter logic is reset when the OSC is not configured to generate clocks.

There are no sources of reset requests for the OSC module.

25.10 Low Power Modes Operation

When the MCU enters Stop modes, the OSC is functional depending on ERCLKEN and EREFSETN bit settings. If both these bits are set, the OSC is in operation. In Low Leakage Stop (LLS) modes, the OSC holds all register settings. If ERCLKEN and EREFSTEN bits are set before entry to Low Leakage Stop modes, the OSC is still functional in these modes. After waking up from Very Low Leakage Stop (VLLSx) modes, all OSC register bits are reset and initialization is required through software.

25.11 Interrupts

The OSC module does not generate any interrupts.

Chapter 26

Flash Memory Controller (FMC)

26.1 Introduction

The Flash Memory Controller (FMC) is a memory acceleration unit that provides:

- an interface between bus masters and the 32-bit program flash memory.
- a buffer and a cache that can accelerate program flash memory data transfers.

26.1.1 Overview

The Flash Memory Controller manages the interface between bus masters and the 32-bit program flash memory. The FMC receives status information detailing the configuration of the flash memory and uses this information to ensure a proper interface. The FMC supports 8-bit, 16-bit, and 32-bit read operations from the program flash memory. A write operation to program flash memory results in a bus error.

In addition, the FMC provides two separate mechanisms for accelerating the interface between bus masters and program flash memory. A 32-bit speculation buffer can prefetch the next 32-bit flash memory location, and a 4-way, 4-set program flash memory cache can store previously accessed program flash memory data for quick access times.

26.1.2 Features

The features of FMC module include:

- Interface between bus masters and the 32-bit program flash memory:
 - 8-bit, 16-bit, and 32-bit read operations to nonvolatile flash memory.
- Acceleration of data transfer from the program flash memory to the device:

- 32-bit prefetch speculation buffer for program flash accesses with controls for instruction/data access
- 4-way, 4-set, 32-bit line size program flash memory cache for a total of sixteen 32-bit entries with invalidation control

26.2 Modes of operation

The FMC operates only when a bus master accesses the program flash memory. In terms of chip power modes:

- The FMC operates only in Run and Wait modes, including VLPR and VLPW modes.
- For any power mode where the program flash memory cannot be accessed, the FMC is disabled.

26.3 External signal description

The FMC has no external (off-chip) signals.

26.4 Memory map and register descriptions

The MCM's programming model provides control and configuration of the FMC's features. For details, see the description of the MCM's Platform Control Register (PLACR).

26.5 Functional description

The FMC is a flash acceleration unit with flexible buffers for user configuration. Besides managing the interface between bus masters and the program flash memory, the FMC can be used to customize the program flash memory cache and buffer to provide single-cycle system clock data access times. Whenever a hit occurs for the prefetch speculation buffer or the cache (when enabled), the requested data is transferred within a single system clock.

Upon system reset, the FMC is configured as follows:

- Flash cache is enabled.
- Instruction speculation and caching are enabled.

- Data speculation is disabled.
- Data caching is enabled.

Though the default configuration provides flash acceleration, advanced users may desire to customize the FMC buffer configurations to maximize throughput for their use cases. For example, the user may adjust the controls to enable buffering per access type (data or instruction).

NOTE

When reconfiguring the FMC, do not program the control and configuration inputs to the FMC while the program flash memory is being accessed. Instead, change them with a routine executing from RAM in supervisor mode.

Chapter 27

Flash Memory Module (FTFA)

27.1 Introduction

NOTE

For the chip-specific implementation details of this module's instances, see the chip configuration information.

The flash memory module includes the following accessible memory regions:

- Program flash memory for vector space and code store

Flash memory is ideal for single-supply applications, permitting in-the-field erase and reprogramming operations without the need for any external high voltage power sources.

The flash memory module includes a memory controller that executes commands to modify flash memory contents. An erased bit reads '1' and a programmed bit reads '0'. The programming operation is unidirectional; it can only move bits from the '1' state (erased) to the '0' state (programmed). Only the erase operation restores bits from '0' to '1'; bits cannot be programmed from a '0' to a '1'.

CAUTION

A flash memory location must be in the erased state before being programmed. Cumulative programming of bits (back-to-back program operations without an intervening erase) within a flash memory location is not allowed. Re-programming of existing 0s to 0 is not allowed as this overstresses the device.

The standard shipping condition for flash memory is erased with security disabled. Data loss over time may occur due to degradation of the erased ('1') states and/or programmed ('0') states. Therefore, it is recommended that each flash block or sector be re-erased immediately prior to factory programming to ensure that the full data retention capability is achieved.

27.1.1 Features

The flash memory module includes the following features.

NOTE

See the device's Chip Configuration details for the exact amount of flash memory available on your device.

27.1.1.1 Program Flash Memory Features

- Sector size of 1 KB
- Program flash protection scheme prevents accidental program or erase of stored data
- Automated, built-in, program and erase algorithms with verify

27.1.1.2 Other Flash Memory Module Features

- Internal high-voltage supply generator for flash memory program and erase operations
- Optional interrupt generation upon flash command completion
- Supports MCU security mechanisms which prevent unauthorized access to the flash memory contents

27.1.2 Block Diagram

The block diagram of the flash memory module is shown in the following figure.

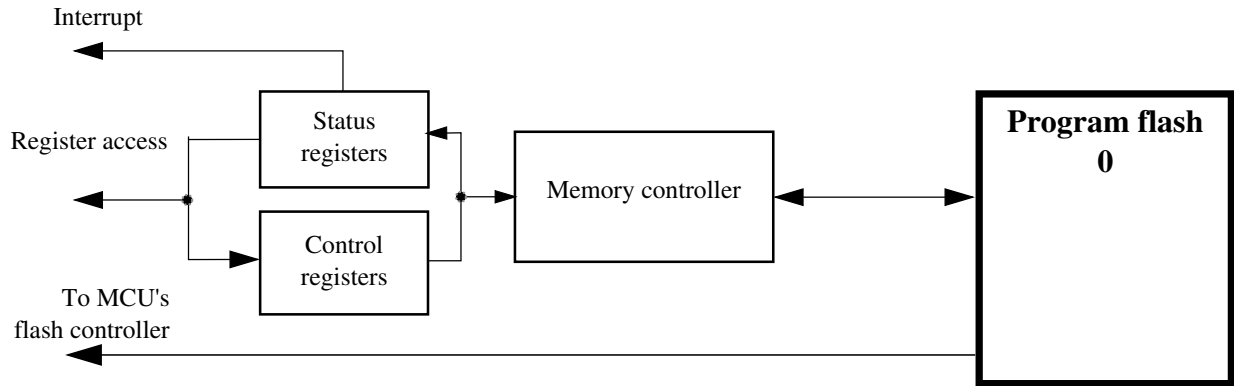


Figure 27-1. Flash Block Diagram

27.1.3 Glossary

Command write sequence — A series of MCU writes to the flash FCCOB register group that initiates and controls the execution of flash algorithms that are built into the flash memory module.

Endurance — The number of times that a flash memory location can be erased and reprogrammed.

FCCOB (Flash Common Command Object) — A group of flash registers that are used to pass command, address, data, and any associated parameters to the memory controller in the flash memory module.

Flash block — A macro within the flash memory module which provides the nonvolatile memory storage.

Flash Memory Module — All flash blocks plus a flash management unit providing high-level control and an interface to MCU buses.

IFR — Nonvolatile information register found in each flash block, separate from the main memory array.

NVM — Nonvolatile memory. A memory technology that maintains stored data during power-off. The flash array is an NVM using NOR-type flash memory technology.

NVM Normal Mode — An NVM mode that provides basic user access to flash memory module resources. The CPU or other bus masters initiate flash program and erase operations (or other flash commands) using writes to the FCCOB register group in the flash memory module.

NVM Special Mode — An NVM mode enabling external, off-chip access to the memory resources in the flash memory module. A reduced flash command set is available when the MCU is secured. See the Chip Configuration details for information on when this mode is used.

Longword — 32 bits of data with an aligned longword having byte-address[1:0] = 00.

Word — 16 bits of data with an aligned word having byte-address[0] = 0.

Program flash — The program flash memory provides nonvolatile storage for vectors and code store.

Program flash Sector — The smallest portion of the program flash memory (consecutive addresses) that can be erased.

Retention — The length of time that data can be kept in the NVM without experiencing errors upon readout. Since erased (1) states are subject to degradation just like programmed (0) states, the data retention limit may be reached from the last erase operation (not from the programming time).

RWW— Read-While-Write. The ability to simultaneously read from one memory resource while commanded operations are active in another memory resource.

Secure — An MCU state conveyed to the flash memory module as described in the Chip Configuration details for this device. In the secure state, reading and changing NVM contents is restricted.

27.2 External Signal Description

The flash memory module contains no signals that connect off-chip.

27.3 Memory Map and Registers

This section describes the memory map and registers for the flash memory module. Data read from unimplemented memory space in the flash memory module is undefined. Writes to unimplemented or reserved memory space (registers) in the flash memory module are ignored.

27.3.1 Flash Configuration Field Description

The program flash memory contains a 16-byte flash configuration field that stores default protection settings (loaded on reset) and security information that allows the MCU to restrict access to the flash memory module.

Flash Configuration Field Byte Address	Size (Bytes)	Field Description
0x0_0400 - 0x0_0407	8	Backdoor Comparison Key. Refer to Verify Backdoor Access Key Command and Unsecuring the Chip Using Backdoor Key Access .
0x0_0408 - 0x0_040B	4	Program flash protection bytes. Refer to the description of the Program Flash Protection Registers (FPROT0-3).
0x0_040F	1	Reserved
0x0_040E	1	Reserved
0x0_040D	1	Flash nonvolatile option byte. Refer to the description of the Flash Option Register (FOPT).
0x0_040C	1	Flash security byte. Refer to the description of the Flash Security Register (FSEC).

27.3.2 Program Flash IFR Map

The program flash IFR is nonvolatile information memory that can be read freely, but the user has no erase and limited program capabilities (see the Read Once, Program Once, and Read Resource commands in [Read Once Command](#), [Program Once Command](#) and [Read Resource Command](#)). The contents of the program flash IFR are summarized in the following table and further described in the subsequent paragraphs.

The program flash IFR is located within the program flash 0 memory block.

Address Range	Size (Bytes)	Field Description
0x00 – 0xBF	192	Reserved
0xC0 – 0xFF	64	Program Once Field

27.3.2.1 Program Once Field

The Program Once Field in the program flash IFR provides 64 bytes of user data storage separate from the program flash main array. The user can program the Program Once Field one time only as there is no program flash IFR erase mechanism available to the

user. The Program Once Field can be read any number of times. This section of the program flash IFR is accessed in 4-Byte records using the Read Once and Program Once commands (see [Read Once Command](#) and [Program Once Command](#)).

27.3.3 Register Descriptions

The flash memory module contains a set of memory-mapped control and status registers.

NOTE

While a command is running (FSTAT[CCIF]=0), register writes are not accepted to any register except FCNFG and FSTAT. The no-write rule is relaxed during the start-up reset sequence, prior to the initial rise of CCIF. During this initialization period the user may write any register. All register writes are also disabled (except for registers FCNFG and FSTAT) whenever an erase suspend request is active (FCNFG[ERSSUSP]=1).

FTFA memory map

Absolute address (hex)	Register name	Width (in bits)	Access	Reset value	Section/page
4002_0000	Flash Status Register (FTFA_FSTAT)	8	R/W	00h	27.33.1/429
4002_0001	Flash Configuration Register (FTFA_FCNFG)	8	R/W	00h	27.33.2/430
4002_0002	Flash Security Register (FTFA_FSEC)	8	R	Undefined	27.33.3/432
4002_0003	Flash Option Register (FTFA_FOPT)	8	R	Undefined	27.33.4/433
4002_0004	Flash Common Command Object Registers (FTFA_FCCOB3)	8	R/W	00h	27.33.5/434
4002_0005	Flash Common Command Object Registers (FTFA_FCCOB2)	8	R/W	00h	27.33.5/434
4002_0006	Flash Common Command Object Registers (FTFA_FCCOB1)	8	R/W	00h	27.33.5/434
4002_0007	Flash Common Command Object Registers (FTFA_FCCOB0)	8	R/W	00h	27.33.5/434
4002_0008	Flash Common Command Object Registers (FTFA_FCCOB7)	8	R/W	00h	27.33.5/434
4002_0009	Flash Common Command Object Registers (FTFA_FCCOB6)	8	R/W	00h	27.33.5/434
4002_000A	Flash Common Command Object Registers (FTFA_FCCOB5)	8	R/W	00h	27.33.5/434
4002_000B	Flash Common Command Object Registers (FTFA_FCCOB4)	8	R/W	00h	27.33.5/434
4002_000C	Flash Common Command Object Registers (FTFA_FCCOB3)	8	R/W	00h	27.33.5/434

Table continues on the next page...

FTFA memory map (continued)

Absolute address (hex)	Register name	Width (in bits)	Access	Reset value	Section/page
4002_000D	Flash Common Command Object Registers (FTFA_FCCOBA)	8	R/W	00h	27.33.5/434
4002_000E	Flash Common Command Object Registers (FTFA_FCCOB9)	8	R/W	00h	27.33.5/434
4002_000F	Flash Common Command Object Registers (FTFA_FCCOB8)	8	R/W	00h	27.33.5/434
4002_0010	Program Flash Protection Registers (FTFA_FPROT3)	8	R/W	Undefined	27.33.6/435
4002_0011	Program Flash Protection Registers (FTFA_FPROT2)	8	R/W	Undefined	27.33.6/435
4002_0012	Program Flash Protection Registers (FTFA_FPROT1)	8	R/W	Undefined	27.33.6/435
4002_0013	Program Flash Protection Registers (FTFA_FPROT0)	8	R/W	Undefined	27.33.6/435

27.33.1 Flash Status Register (FTFA_FSTAT)

The FSTAT register reports the operational status of the flash memory module.

The CCIF, RDCOLERR, ACCERR, and FPVIOL bits are readable and writable. The MGSTAT0 bit is read only. The unassigned bits read 0 and are not writable.

NOTE

When set, the Access Error (ACCERR) and Flash Protection Violation (FPVIOL) bits in this register prevent the launch of any more commands until the flag is cleared (by writing a one to it).

Address: 4002_0000h base + 0h offset = 4002_0000h

Bit	7	6	5	4	3	2	1	0
Read	CCIF	RDCOLERR	ACCERR	FPVIOL		0		MGSTAT0
Write	w1c	w1c	w1c	w1c				
Reset	0	0	0	0	0	0	0	0

FTFA_FSTAT field descriptions

Field	Description
7 CCIF	<p>Command Complete Interrupt Flag</p> <p>The CCIF flag indicates that a flash command has completed. The CCIF flag is cleared by writing a 1 to CCIF to launch a command, and CCIF stays low until command completion or command violation.</p> <p>The CCIF bit is reset to 0 but is set to 1 by the memory controller at the end of the reset initialization sequence. Depending on how quickly the read occurs after reset release, the user may or may not see the 0 hardware reset value.</p>

Table continues on the next page...

FTFA_FSTAT field descriptions (continued)

Field	Description
	0 Flash command in progress 1 Flash command has completed
6 RDCOLERR	Flash Read Collision Error Flag The RDCOLERR error bit indicates that the MCU attempted a read from a flash memory resource that was being manipulated by a flash command (CCIF=0). Any simultaneous access is detected as a collision error by the block arbitration logic. The read data in this case cannot be guaranteed. The RDCOLERR bit is cleared by writing a 1 to it. Writing a 0 to RDCOLERR has no effect. 0 No collision error detected 1 Collision error detected
5 ACCERR	Flash Access Error Flag The ACCERR error bit indicates an illegal access has occurred to a flash memory resource caused by a violation of the command write sequence or issuing an illegal flash command. While ACCERR is set, the CCIF flag cannot be cleared to launch a command. The ACCERR bit is cleared by writing a 1 to it. Writing a 0 to the ACCERR bit has no effect. 0 No access error detected 1 Access error detected
4 FPVIOL	Flash Protection Violation Flag The FPVIOL error bit indicates an attempt was made to program or erase an address in a protected area of program flash memory during a command write sequence . While FPVIOL is set, the CCIF flag cannot be cleared to launch a command. The FPVIOL bit is cleared by writing a 1 to it. Writing a 0 to the FPVIOL bit has no effect. 0 No protection violation detected 1 Protection violation detected
3–1 Reserved	This field is reserved. This read-only field is reserved and always has the value 0.
0 MGSTAT0	Memory Controller Command Completion Status Flag The MGSTAT0 status flag is set if an error is detected during execution of a flash command or during the flash reset sequence. As a status flag, this bit cannot (and need not) be cleared by the user like the other error flags in this register. The value of the MGSTAT0 bit for "command-N" is valid only at the end of the "command-N" execution when CCIF=1 and before the next command has been launched. At some point during the execution of "command-N+1," the previous result is discarded and any previous error is cleared.

27.33.2 Flash Configuration Register (FTFA_FCNFG)

This register provides information on the current functional state of the flash memory module.

The erase control bits (ERSAREQ and ERSSUSP) have write restrictions. The unassigned bits read as noted and are not writable.

Address: 4002_0000h base + 1h offset = 4002_0001h

Bit	7	6	5	4	3	2	1	0
Read	CCIE	RDCOLLIE	ERSAREQ	ERSSUSP	0	0	0	0
Write								
Reset	0	0	0	0	0	0	0	0

FTFA_FCENFG field descriptions

Field	Description
7 CCIE	<p>Command Complete Interrupt Enable</p> <p>The CCIE bit controls interrupt generation when a flash command completes.</p> <p>0 Command complete interrupt disabled 1 Command complete interrupt enabled. An interrupt request is generated whenever the FSTAT[CCIF] flag is set.</p>
6 RDCOLLIE	<p>Read Collision Error Interrupt Enable</p> <p>The RDCOLLIE bit controls interrupt generation when a flash memory read collision error occurs.</p> <p>0 Read collision error interrupt disabled 1 Read collision error interrupt enabled. An interrupt request is generated whenever a flash memory read collision error is detected (see the description of FSTAT[RDCOLERR]).</p>
5 ERSAREQ	<p>Erase All Request</p> <p>This bit issues a request to the memory controller to execute the Erase All Blocks command and release security. ERSAREQ is not directly writable but is under indirect user control. Refer to the device's Chip Configuration details on how to request this command.</p> <p>The ERSAREQ bit sets when an erase all request is triggered external to the flash memory module and CCIF is set (no command is currently being executed). ERSAREQ is cleared by the flash memory module when the operation completes.</p> <p>0 No request or request complete 1 Request to: <ol style="list-style-type: none"> run the Erase All Blocks command, verify the erased state, program the security byte in the Flash Configuration Field to the unsecure state, and release MCU security by setting the FSEC[SEC] field to the unsecure state. </p>
4 ERSSUSP	<p>Erase Suspend</p> <p>The ERSSUSP bit allows the user to suspend (interrupt) the Erase Flash Sector command while it is executing.</p> <p>0 No suspend requested 1 Suspend the current Erase Flash Sector command execution.</p>
3 Reserved	<p>This field is reserved. This read-only field is reserved and always has the value 0.</p>
2 Reserved	<p>This field is reserved. This read-only field is reserved and always has the value 0.</p>
1 Reserved	<p>This field is reserved. This read-only field is reserved and always has the value 0.</p>
0 Reserved	<p>This field is reserved. This read-only field is reserved and always has the value 0.</p>

27.33.3 Flash Security Register (FTFA_FSEC)

This read-only register holds all bits associated with the security of the MCU and flash memory module.

During the reset sequence, the register is loaded with the contents of the flash security byte in the Flash Configuration Field located in program flash memory. The flash basis for the values is signified by X in the reset value.

Address: 4002_0000h base + 2h offset = 4002_0002h

Bit	7	6	5	4	3	2	1	0
Read	KEYEN		MEEN		FSLACC		SEC	
Write	x*		x*		x*		x*	
Reset	x*	x*	x*	x*	x*	x*	x*	x*

* Notes:

- x = Undefined at reset.

FTFA_FSEC field descriptions

Field	Description
7-6 KEYEN	<p>Backdoor Key Security Enable</p> <p>These bits enable and disable backdoor key access to the flash memory module.</p> <p>00 Backdoor key access disabled 01 Backdoor key access disabled (preferred KEYEN state to disable backdoor key access) 10 Backdoor key access enabled 11 Backdoor key access disabled</p>
5-4 MEEN	<p>Mass Erase Enable Bits</p> <p>Enables and disables mass erase capability of the flash memory module. The state of the MEEN bits is only relevant when the SEC bits are set to secure outside of NVM Normal Mode. When the SEC field is set to unsecure, the MEEN setting does not matter.</p> <p>00 Mass erase is enabled 01 Mass erase is enabled 10 Mass erase is disabled 11 Mass erase is enabled</p>
3-2 FSLACC	<p>Freescale Failure Analysis Access Code</p> <p>These bits enable or disable access to the flash memory contents during returned part failure analysis at Freescale. When SEC is secure and FSLACC is denied, access to the program flash contents is denied and any failure analysis performed by Freescale factory test must begin with a full erase to unsecure the part.</p> <p>When access is granted (SEC is unsecure, or SEC is secure and FSLACC is granted), Freescale factory testing has visibility of the current flash contents. The state of the FSLACC bits is only relevant when the SEC bits are set to secure. When the SEC field is set to unsecure, the FSLACC setting does not matter.</p>

Table continues on the next page...

FTFA_FSEC field descriptions (continued)

Field	Description
	00 Freescale factory access granted 01 Freescale factory access denied 10 Freescale factory access denied 11 Freescale factory access granted
1–0 SEC	Flash Security These bits define the security state of the MCU. In the secure state, the MCU limits access to flash memory module resources. The limitations are defined per device and are detailed in the Chip Configuration details. If the flash memory module is unsecured using backdoor key access, the SEC bits are forced to 10b. 00 MCU security status is secure 01 MCU security status is secure 10 MCU security status is unsecure (The standard shipping condition of the flash memory module is unsecure.) 11 MCU security status is secure

27.33.4 Flash Option Register (FTFA_FOPT)

The flash option register allows the MCU to customize its operations by examining the state of these read-only bits, which are loaded from NVM at reset. The function of the bits is defined in the device's Chip Configuration details.

All bits in the register are read-only .

During the reset sequence, the register is loaded from the flash nonvolatile option byte in the Flash Configuration Field located in program flash memory. The flash basis for the values is signified by X in the reset value.

Address: 4002_0000h base + 3h offset = 4002_0003h

Bit	7	6	5	4	3	2	1	0
Read	OPT							
Write								
Reset	x*	x*	x*	x*	x*	x*	x*	x*

* Notes:

- x = Undefined at reset.

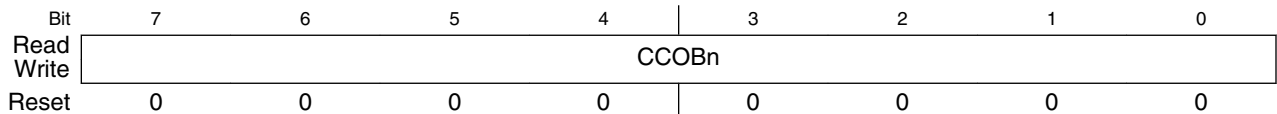
FTFA_FOPT field descriptions

Field	Description
7–0 OPT	Nonvolatile Option These bits are loaded from flash to this register at reset. Refer to the device's Chip Configuration details for the definition and use of these bits.

27.33.5 Flash Common Command Object Registers (FTFA_FCCOBn)

The FCCOB register group provides 12 bytes for command codes and parameters. The individual bytes within the set append a 0-B hex identifier to the FCCOB register name: FCCOB0, FCCOB1, ..., FCCOBB.

Address: 4002_0000h base + 4h offset + (1d × i), where i=0d to 11d



FTFA_FCCOBn field descriptions

Field	Description																						
7-0 CCOBn	<p>The FCCOB register provides a command code and relevant parameters to the memory controller. The individual registers that compose the FCCOB data set can be written in any order, but you must provide all needed values, which vary from command to command. First, set up all required FCCOB fields and then initiate the command's execution by writing a 1 to the FSTAT[CCIF] bit. This clears the CCIF bit, which locks all FCCOB parameter fields and they cannot be changed by the user until the command completes (CCIF returns to 1). No command buffering or queueing is provided; the next command can be loaded only after the current command completes.</p> <p>Some commands return information to the FCCOB registers. Any values returned to FCCOB are available for reading after the FSTAT[CCIF] flag returns to 1 by the memory controller.</p> <p>The following table shows a generic flash command format. The first FCCOB register, FCCOB0, always contains the command code. This 8-bit value defines the command to be executed. The command code is followed by the parameters required for this specific flash command, typically an address and/or data values.</p> <p>NOTE: The command parameter table is written in terms of FCCOB Number (which is equivalent to the byte number). This number is a reference to the FCCOB register name and is not the register address.</p> <table border="1"> <thead> <tr> <th>FCCOB Number</th> <th>Typical Command Parameter Contents [7:0]</th> </tr> </thead> <tbody> <tr> <td>0</td> <td>FCMD (a code that defines the flash command)</td> </tr> <tr> <td>1</td> <td>Flash address [23:16]</td> </tr> <tr> <td>2</td> <td>Flash address [15:8]</td> </tr> <tr> <td>3</td> <td>Flash address [7:0]</td> </tr> <tr> <td>4</td> <td>Data Byte 0</td> </tr> <tr> <td>5</td> <td>Data Byte 1</td> </tr> <tr> <td>6</td> <td>Data Byte 2</td> </tr> <tr> <td>7</td> <td>Data Byte 3</td> </tr> <tr> <td>8</td> <td>Data Byte 4</td> </tr> <tr> <td>9</td> <td>Data Byte 5</td> </tr> </tbody> </table>	FCCOB Number	Typical Command Parameter Contents [7:0]	0	FCMD (a code that defines the flash command)	1	Flash address [23:16]	2	Flash address [15:8]	3	Flash address [7:0]	4	Data Byte 0	5	Data Byte 1	6	Data Byte 2	7	Data Byte 3	8	Data Byte 4	9	Data Byte 5
FCCOB Number	Typical Command Parameter Contents [7:0]																						
0	FCMD (a code that defines the flash command)																						
1	Flash address [23:16]																						
2	Flash address [15:8]																						
3	Flash address [7:0]																						
4	Data Byte 0																						
5	Data Byte 1																						
6	Data Byte 2																						
7	Data Byte 3																						
8	Data Byte 4																						
9	Data Byte 5																						

FTFA_FCCOB n field descriptions (continued)

Field	Description	
	FCCOB Number	Typical Command Parameter Contents [7:0]
	A	Data Byte 6
	B	Data Byte 7
	<p>FCCOB Endianness and Multi-Byte Access :</p> <p>The FCCOB register group uses a big endian addressing convention. For all command parameter fields larger than 1 byte, the most significant data resides in the lowest FCCOB register number. The FCCOB register group may be read and written as individual bytes, aligned words (2 bytes) or aligned longwords (4 bytes).</p>	

27.33.6 Program Flash Protection Registers (FTFA_FPROT n)

The FPROT registers define which logical program flash regions are protected from program and erase operations. Protected flash regions cannot have their content changed; that is, these regions cannot be programmed and cannot be erased by any flash command. Unprotected regions can be changed by program and erase operations.

The four FPROT registers allow up to 32 protectable regions. Each bit protects a 1/32 region of the program flash memory except for memory configurations with less than 32 KB of program flash where each assigned bit protects 1 KB . For configurations with 24 KB of program flash memory or less, FPROT0 is not used. For configurations with 16 KB of program flash memory or less, FPROT1 is not used. For configurations with 8 KB of program flash memory, FPROT2 is not used. The bitfields are defined in each register as follows:

Program flash protection register	Program flash protection bits
FPROT0	PROT[31:24]
FPROT1	PROT[23:16]
FPROT2	PROT[15:8]
FPROT3	PROT[7:0]

During the reset sequence, the FPROT registers are loaded with the contents of the program flash protection bytes in the Flash Configuration Field as indicated in the following table.

Program flash protection register	Flash Configuration Field offset address
FPROT0	0x000B
FPROT1	0x000A

Table continues on the next page...

Functional Description

Program flash protection register	Flash Configuration Field offset address
FPROT2	0x0009
FPROT3	0x0008

To change the program flash protection that is loaded during the reset sequence, unprotect the sector of program flash memory that contains the Flash Configuration Field. Then, reprogram the program flash protection byte.

Address: 4002_0000h base + 10h offset + (1d × i), where i=0d to 3d

Bit	7	6	5	4	3	2	1	0
Read	PROT							
Write	PROT							
Reset	x*	x*	x*	x*	x*	x*	x*	x*

* Notes:

- x = Undefined at reset.

FTFA_FPROTn field descriptions

Field	Description
7–0 PROT	<p>Program Flash Region Protect</p> <p>Each program flash region can be protected from program and erase operations by setting the associated PROT bit.</p> <p>In NVM Normal mode: The protection can only be increased, meaning that currently unprotected memory can be protected, but currently protected memory cannot be unprotected. Since unprotected regions are marked with a 1 and protected regions use a 0, only writes changing 1s to 0s are accepted. This 1-to-0 transition check is performed on a bit-by-bit basis. Those FPROT bits with 1-to-0 transitions are accepted while all bits with 0-to-1 transitions are ignored.</p> <p>In NVM Special mode: All bits of FPROT are writable without restriction. Unprotected areas can be protected and protected areas can be unprotected.</p> <p>Restriction: The user must never write to any FPROT register while a command is running (CCIF=0). Trying to alter data in any protected area in the program flash memory results in a protection violation error and sets the FSTAT[FPVIOL] bit. A full block erase of a program flash block is not possible if it contains any protected region.</p> <p>Each bit in the 32-bit protection register represents 1/32 of the total program flash except for configurations where program flash memory is less than 32 KB. For configurations with less than 32 KB of program flash memory, each assigned bit represents 1 KB.</p> <p>0 Program flash region is protected. 1 Program flash region is not protected</p>

27.4 Functional Description

The following sections describe functional details of the flash memory module.

27.4.1 Flash Protection

Individual regions within the flash memory can be protected from program and erase operations. Protection is controlled by the following registers:

- $FPROT_n$ —
 - For 2^n program flash sizes, four registers typically protect 32 regions of the program flash memory as shown in the following figure

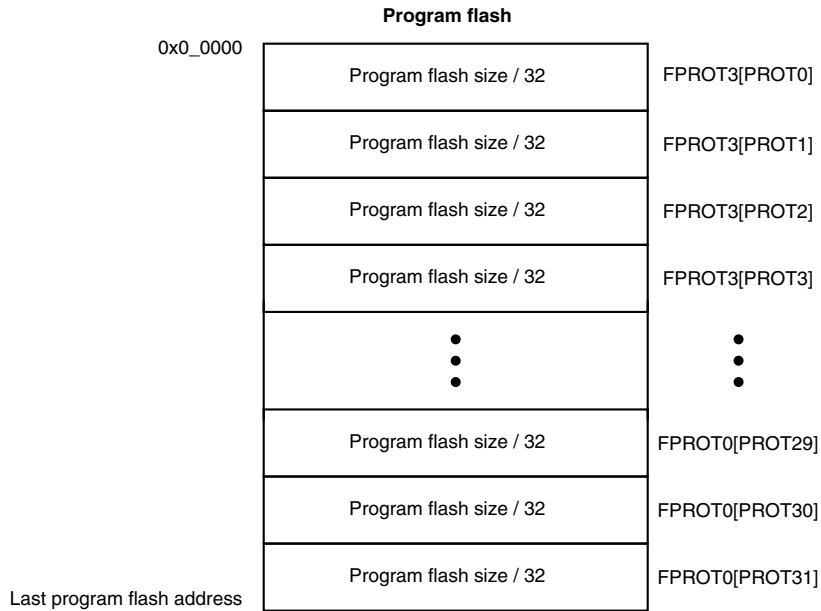


Figure 27-24. Program flash protection

27.4.2 Interrupts

The flash memory module can generate interrupt requests to the MCU upon the occurrence of various flash events. These interrupt events and their associated status and control bits are shown in the following table.

Table 27-24. Flash Interrupt Sources

Flash Event	Readable Status Bit	Interrupt Enable Bit
Flash Command Complete	FSTAT[CCIF]	FCNFG[CCIE]
Flash Read Collision Error	FSTAT[RDCOLERR]	FCNFG[RDCOLLIE]

Note

Vector addresses and their relative interrupt priority are determined at the MCU level.

Some devices also generate a bus error response as a result of a Read Collision Error event. See the chip configuration information to determine if a bus error response is also supported.

27.4.3 Flash Operation in Low-Power Modes

27.4.3.1 Wait Mode

When the MCU enters wait mode, the flash memory module is not affected. The flash memory module can recover the MCU from wait via the command complete interrupt (see [Interrupts](#)).

27.4.3.2 Stop Mode

When the MCU requests stop mode, if a flash command is active ($CCIF = 0$) the command execution completes before the MCU is allowed to enter stop mode.

CAUTION

The MCU should never enter stop mode while any flash command is running ($CCIF = 0$).

NOTE

While the MCU is in very-low-power modes (VLPR, VLPW, VLPS), the flash memory module does not accept flash commands.

27.4.4 Functional Modes of Operation

The flash memory module has two operating modes: NVM Normal and NVM Special. The operating mode affects the command set availability (see [Table 27-25](#)). Refer to the Chip Configuration details of this device for how to activate each mode.

27.4.5 Flash Reads and Ignored Writes

The flash memory module requires only the flash address to execute a flash memory read.

The MCU must not read from the flash memory while commands are running (as evidenced by CCIF=0) on that block. Read data cannot be guaranteed from a flash block while any command is processing within that block. The block arbitration logic detects any simultaneous access and reports this as a read collision error (see the FSTAT[RDCOLERR] bit).

27.4.6 Read While Write (RWW)

The following simultaneous accesses are not allowed:

- Reading from program flash memory space while a flash command is active (CCIF=0).

27.4.7 Flash Program and Erase

All flash functions except read require the user to setup and launch a flash command through a series of peripheral bus writes. The user cannot initiate any further flash commands until notified that the current command has completed. The flash command structure and operation are detailed in [Flash Command Operations](#).

27.4.8 Flash Command Operations

Flash command operations are typically used to modify flash memory contents. The next sections describe:

- The command write sequence used to set flash command parameters and launch execution
- A description of all flash commands available

27.4.8.1 Command Write Sequence

Flash commands are specified using a command write sequence illustrated in [Figure 27-25](#). The flash memory module performs various checks on the command (FCCOB) content and continues with command execution if all requirements are fulfilled.

Before launching a command, the ACCERR and FPVIOL bits in the FSTAT register must be zero and the CCIF flag must read 1 to verify that any previous command has completed. If CCIF is zero, the previous command execution is still active, a new command write sequence cannot be started, and all writes to the FCCOB registers are ignored.

Attempts to launch a flash command in VLP mode will be ignored.

27.4.8.1.1 Load the FCCOB Registers

The user must load the FCCOB registers with all parameters required by the desired flash command. The individual registers that make up the FCCOB data set can be written in any order.

27.4.8.1.2 Launch the Command by Clearing CCIF

Once all relevant command parameters have been loaded, the user launches the command by clearing the FSTAT[CCIF] bit by writing a '1' to it. The CCIF flag remains zero until the flash command completes.

The FSTAT register contains a blocking mechanism that prevents a new command from launching (can't clear CCIF) if the previous command resulted in an access error (FSTAT[ACCERR]=1) or a protection violation (FSTAT[FPVIOL]=1). In error scenarios, two writes to FSTAT are required to initiate the next command: the first write clears the error flags, the second write clears CCIF.

27.4.8.1.3 Command Execution and Error Reporting

The command processing has several steps:

1. The flash memory module reads the command code and performs a series of parameter checks and protection checks, if applicable, which are unique to each command.

If the parameter check fails, the FSTAT[ACCERR] (access error) flag is set. ACCERR reports invalid instruction codes and out-of bounds addresses. Usually, access errors suggest that the command was not set-up with valid parameters in the FCCOB register group.

Program and erase commands also check the address to determine if the operation is requested to execute on protected areas. If the protection check fails, the FSTAT[FPVIOL] (protection error) flag is set.

Command processing never proceeds to execution when the parameter or protection step fails. Instead, command processing is terminated after setting the FSTAT[CCIF] bit.

2. If the parameter and protection checks pass, the command proceeds to execution. Run-time errors, such as failure to erase verify, may occur during the execution phase. Run-time errors are reported in the FSTAT[MGSTAT0] bit. A command may have access errors, protection errors, and run-time errors, but the run-time errors are not seen until all access and protection errors have been corrected.
3. Command execution results, if applicable, are reported back to the user via the FCCOB and FSTAT registers.
4. The flash memory module sets the FSTAT[CCIF] bit signifying that the command has completed.

The flow for a generic command write sequence is illustrated in the following figure.

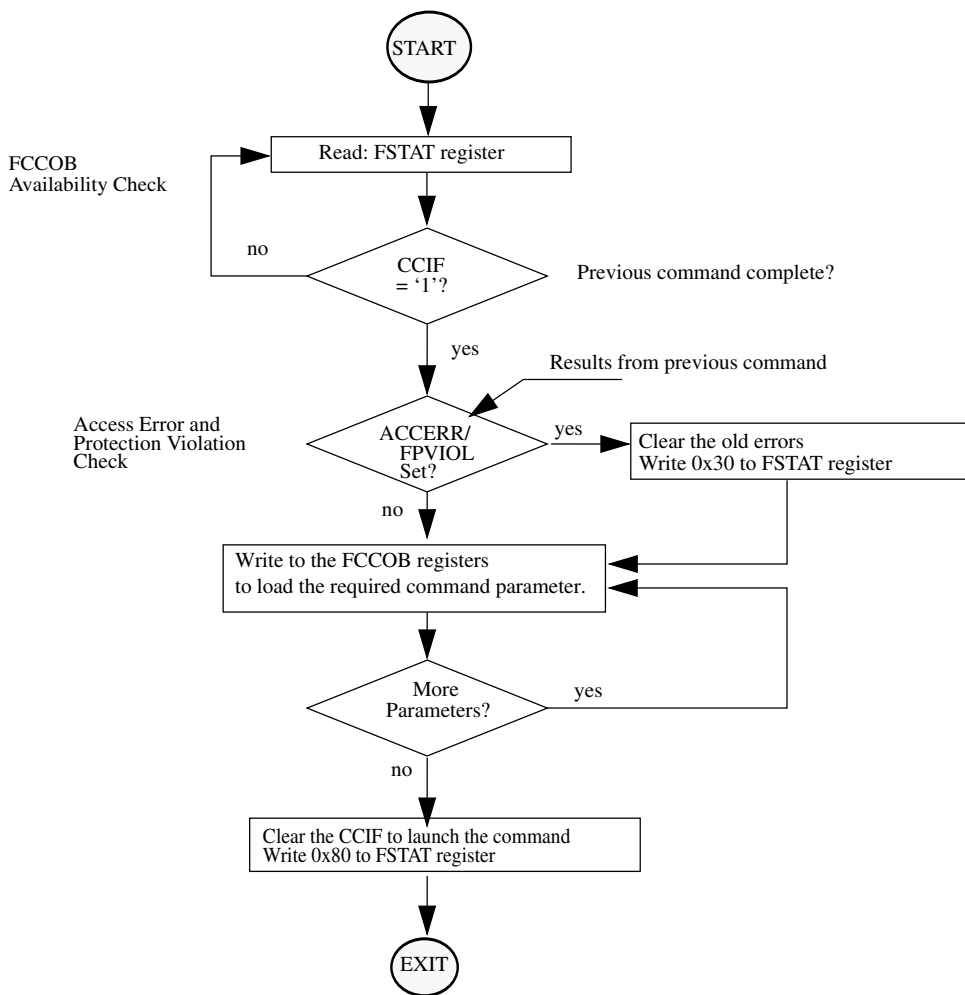


Figure 27-25. Generic Flash Command Write Sequence Flowchart

27.4.8.2 Flash Commands

The following table summarizes the function of all flash commands.

FCMD	Command	Program flash	Function
0x01	Read 1s Section	×	Verify that a given number of program flash locations from a starting address are erased.
0x02	Program Check	×	Tests previously-programmed locations at margin read levels.
0x03	Read Resource	IFR, ID	Read 4 bytes from program flash IFR or version ID.
0x06	Program Longword	×	Program 4 bytes in a program flash block.

Table continues on the next page...

FCMD	Command	Program flash	Function
0x09	Erase Flash Sector	×	Erase all bytes in a program flash sector.
0x40	Read 1s All Blocks	×	Verify that the program flash block is erased then release MCU security.
0x41	Read Once	IFR	Read 4 bytes of a dedicated 64 byte field in the program flash 0 IFR.
0x43	Program Once	IFR	One-time program of 4 bytes of a dedicated 64-byte field in the program flash 0 IFR.
0x44	Erase All Blocks	×	Erase the program flash block, verify-erase and release MCU security. NOTE: An erase is only possible when all memory locations are unprotected.
0x45	Verify Backdoor Access Key	×	Release MCU security after comparing a set of user-supplied security keys to those stored in the program flash.

27.4.8.3 Flash Commands by Mode

The following table shows the flash commands that can be executed in each flash operating mode.

Table 27-25. Flash Commands by Mode

FCMD	Command	NVM Normal			NVM Special		
		Unsecure	Secure	MEEN=10	Unsecure	Secure	MEEN=10
0x01	Read 1s Section	×	×	×	×	—	—
0x02	Program Check	×	×	×	×	—	—
0x03	Read Resource	×	×	×	×	—	—
0x06	Program Longword	×	×	×	×	—	—
0x09	Erase Flash Sector	×	×	×	×	—	—
0x40	Read 1s All Blocks	×	×	×	×	×	—
0x41	Read Once	×	×	×	×	—	—
0x43	Program Once	×	×	×	×	—	—
0x44	Erase All Blocks	×	×	×	×	×	—
0x45	Verify Backdoor Access Key	×	×	×	×	—	—

27.4.9 Margin Read Commands

The Read-1s commands (Read 1s All Blocks and Read 1s Section) and the Program Check command have a margin choice parameter that allows the user to apply non-standard read reference levels to the program flash array reads performed by these commands. Using the preset 'user' and 'factory' margin levels, these commands perform their associated read operations at tighter tolerances than a 'normal' read. These non-standard read levels are applied only during the command execution. All simple (uncommanded) flash array reads to the MCU always use the standard, un-margined, read reference level.

Only the 'normal' read level should be employed during normal flash usage. The non-standard, 'user' and 'factory' margin levels should be employed only in special cases. They can be used during special diagnostic routines to gain confidence that the device is not suffering from the end-of-life data loss customary of flash memory devices.

Erased ('1') and programmed ('0') bit states can degrade due to elapsed time and data cycling (number of times a bit is erased and re-programmed). The lifetime of the erased states is relative to the last erase operation. The lifetime of the programmed states is measured from the last program time.

The 'user' and 'factory' levels become, in effect, a minimum safety margin; i.e. if the reads pass at the tighter tolerances of the 'user' and 'factory' margins, then the 'normal' reads have at least this much safety margin before they experience data loss.

The 'user' margin is a small delta to the normal read reference level. 'User' margin levels can be employed to check that flash memory contents have adequate margin for normal level read operations. If unexpected read results are encountered when checking flash memory contents at the 'user' margin levels, loss of information might soon occur during 'normal' readout.

The 'factory' margin is a bigger deviation from the norm, a more stringent read criteria that should only be attempted immediately (or very soon) after completion of an erase or program command, early in the cycling life. 'Factory' margin levels can be used to check that flash memory contents have adequate margin for long-term data retention at the normal level setting. If unexpected results are encountered when checking flash memory contents at 'factory' margin levels, the flash memory contents should be erased and reprogrammed.

CAUTION

Factory margin levels must only be used during verify of the initial factory programming.

27.4.10 Flash Command Description

This section describes all flash commands that can be launched by a command write sequence. The flash memory module sets the FSTAT[ACCERR] bit and aborts the command execution if any of the following illegal conditions occur:

- There is an unrecognized command code in the FCCOB FCMD field.
- There is an error in a FCCOB field for the specific commands. Refer to the error handling table provided for each command.

Ensure that the ACCERR and FPVIOL bits in the FSTAT register are cleared prior to starting the command write sequence. As described in [Launch the Command by Clearing CCIF](#), a new command cannot be launched while these error flags are set.

Do not attempt to read a flash block while the flash memory module is running a command (CCIF = 0) on that same block. The flash memory module may return invalid data to the MCU with the collision error flag (FSTAT[RDCOLERR]) set.

CAUTION

Flash data must be in the erased state before being programmed. Cumulative programming of bits (adding more zeros) is not allowed.

27.4.10.1 Read 1s Section Command

The Read 1s Section command checks if a section of program flash memory is erased to the specified read margin level. The Read 1s Section command defines the starting address and the number of longwords to be verified.

Table 27-26. Read 1s Section Command FCCOB Requirements

FCCOB Number	FCCOB Contents [7:0]
0	0x01 (RD1SEC)
1	Flash address [23:16] of the first longword to be verified
2	Flash address [15:8] of the first longword to be verified
3	Flash address [7:0] ¹ of the first longword to be verified
4	Number of longwords to be verified [15:8]
5	Number of longwords to be verified [7:0]
6	Read-1 Margin Choice

1. Must be longword aligned (Flash address [1:0] = 00).

Functional Description

Upon clearing CCIF to launch the Read 1s Section command, the flash memory module sets the read margin for 1s according to [Table 27-27](#) and then reads all locations within the specified section of flash memory. If the flash memory module fails to read all 1s (i.e. the flash section is not erased), the FSTAT[MGSTAT0] bit is set. The CCIF flag sets after the Read 1s Section operation completes.

Table 27-27. Margin Level Choices for Read 1s Section

Read Margin Choice	Margin Level Description
0x00	Use the 'normal' read level for 1s
0x01	Apply the 'User' margin to the normal read-1 level
0x02	Apply the 'Factory' margin to the normal read-1 level

Table 27-28. Read 1s Section Command Error Handling

Error Condition	Error Bit
Command not available in current mode/security	FSTAT[ACCERR]
An invalid margin code is supplied	FSTAT[ACCERR]
An invalid flash address is supplied	FSTAT[ACCERR]
Flash address is not longword aligned	FSTAT[ACCERR]
The requested section crosses a Flash block boundary	FSTAT[ACCERR]
The requested number of longwords is zero	FSTAT[ACCERR]
Read-1s fails	FSTAT[MGSTAT0]

27.4.10.2 Program Check Command

The Program Check command tests a previously programmed program flash longword to see if it reads correctly at the specified margin level.

Table 27-29. Program Check Command FCCOB Requirements

FCCOB Number	FCCOB Contents [7:0]
0	0x02 (PGMCHK)
1	Flash address [23:16]
2	Flash address [15:8]
3	Flash address [7:0] ¹
4	Margin Choice
8	Byte 0 expected data
9	Byte 1 expected data
A	Byte 2 expected data
B	Byte 3 expected data

1. Must be longword aligned (Flash address [1:0] = 00).

Upon clearing CCIF to launch the Program Check command, the flash memory module sets the read margin for 1s according to [Table 27-30](#), reads the specified longword, and compares the actual read data to the expected data provided by the FCCOB. If the comparison at margin-1 fails, the FSTAT[MGSTAT0] bit is set.

The flash memory module then sets the read margin for 0s, re-reads, and compares again. If the comparison at margin-0 fails, the FSTAT[MGSTAT0] bit is set. The CCIF flag is set after the Program Check operation completes.

The supplied address must be longword aligned (the lowest two bits of the byte address must be 00):

- Byte 3 data is written to the supplied byte address ('start'),
- Byte 2 data is programmed to byte address start+0b01,
- Byte 1 data is programmed to byte address start+0b10,
- Byte 0 data is programmed to byte address start+0b11.

NOTE

See the description of margin reads, [Margin Read Commands](#)

Table 27-30. Margin Level Choices for Program Check

Read Margin Choice	Margin Level Description
0x01	Read at 'User' margin-1 and 'User' margin-0
0x02	Read at 'Factory' margin-1 and 'Factory' margin-0

Table 27-31. Program Check Command Error Handling

Error Condition	Error Bit
Command not available in current mode/security	FSTAT[ACCERR]
An invalid flash address is supplied	FSTAT[ACCERR]
Flash address is not longword aligned	FSTAT[ACCERR]
An invalid margin choice is supplied	FSTAT[ACCERR]
Either of the margin reads does not match the expected data	FSTAT[MGSTAT0]

27.4.10.3 Read Resource Command

The Read Resource command allows the user to read data from special-purpose memory resources located within the flash memory module. The special-purpose memory resources available include program flash IFR space and the Version ID field. Each resource is assigned a select code as shown in [Table 27-33](#).

Table 27-32. Read Resource Command FCCOB Requirements

FCCOB Number	FCCOB Contents [7:0]
0	0x03 (RDRSRC)
1	Flash address [23:16]
2	Flash address [15:8]
3	Flash address [7:0] ¹
Returned Values	
4	Read Data [31:24]
5	Read Data [23:16]
6	Read Data [15:8]
7	Read Data [7:0]
User-provided values	
8	Resource Select Code (see Table 27-33)

1. Must be longword aligned (Flash address [1:0] = 00).

Table 27-33. Read Resource Select Codes

Resource Select Code	Description	Resource Size	Local Address Range
0x00	Program Flash 0 IFR	256 Bytes	0x00_0000 - 0x00_00FF
0x01 ¹	Version ID	8 Bytes	0x00_0000 - 0x00_0007

1. Located in program flash 0 reserved space.

After clearing CCIF to launch the Read Resource command, four consecutive bytes are read from the selected resource at the provided relative address and stored in the FCCOB register. The CCIF flag sets after the Read Resource operation completes. The Read Resource command exits with an access error if an invalid resource code is provided or if the address for the applicable area is out-of-range.

Table 27-34. Read Resource Command Error Handling

Error Condition	Error Bit
Command not available in current mode/security	FSTAT[ACCERR]
An invalid resource code is entered	FSTAT[ACCERR]
Flash address is out-of-range for the targeted resource.	FSTAT[ACCERR]
Flash address is not longword aligned	FSTAT[ACCERR]

27.4.10.4 Program Longword Command

The Program Longword command programs four previously-erased bytes in the program flash memory using an embedded algorithm.

CAUTION

A flash memory location must be in the erased state before being programmed. Cumulative programming of bits (back-to-back program operations without an intervening erase) within a flash memory location is not allowed. Re-programming of existing 0s to 0 is not allowed as this overstresses the device.

Table 27-35. Program Longword Command FCCOB Requirements

FCCOB Number	FCCOB Contents [7:0]
0	0x06 (PGM4)
1	Flash address [23:16]
2	Flash address [15:8]
3	Flash address [7:0] ¹
4	Byte 0 program value
5	Byte 1 program value
6	Byte 2 program value
7	Byte 3 program value

1. Must be longword aligned (Flash address [1:0] = 00).

Upon clearing CCIF to launch the Program Longword command, the flash memory module programs the data bytes into the flash using the supplied address. The targeted flash locations must be currently unprotected (see the description of the FPROT registers) to permit execution of the Program Longword operation.

The programming operation is unidirectional. It can only move NVM bits from the erased state ('1') to the programmed state ('0'). Erased bits that fail to program to the '0' state are flagged as errors in FSTAT[MGSTAT0]. The CCIF flag is set after the Program Longword operation completes.

The supplied address must be longword aligned (flash address [1:0] = 00):

- Byte 3 data is written to the supplied byte address ('start'),
- Byte 2 data is programmed to byte address start+0b01,
- Byte 1 data is programmed to byte address start+0b10, and
- Byte 0 data is programmed to byte address start+0b11.

Table 27-36. Program Longword Command Error Handling

Error Condition	Error Bit
Command not available in current mode/security	FSTAT[ACCERR]
An invalid flash address is supplied	FSTAT[ACCERR]
Flash address is not longword aligned	FSTAT[ACCERR]
Flash address points to a protected area	FSTAT[FPVIOL]

Table continues on the next page...

Table 27-36. Program Longword Command Error Handling (continued)

Error Condition	Error Bit
Any errors have been encountered during the verify operation	FSTAT[MGSTAT0]

27.4.10.5 Erase Flash Sector Command

The Erase Flash Sector operation erases all addresses in a flash sector.

Table 27-37. Erase Flash Sector Command FCCOB Requirements

FCCOB Number	FCCOB Contents [7:0]
0	0x09 (ERSSCR)
1	Flash address [23:16] in the flash sector to be erased
2	Flash address [15:8] in the flash sector to be erased
3	Flash address [7:0] ¹ in the flash sector to be erased

1. Must be longword aligned (flash address [1:0] = 00).

After clearing CCIF to launch the Erase Flash Sector command, the flash memory module erases the selected program flash sector and then verifies that it is erased. The Erase Flash Sector command aborts if the selected sector is protected (see the description of the FPROT registers). If the erase-verify fails the FSTAT[MGSTAT0] bit is set. The CCIF flag is set after the Erase Flash Sector operation completes. The Erase Flash Sector command is suspendable (see the FCNFG[ERSSUSP] bit and [Figure 27-26](#)).

Table 27-38. Erase Flash Sector Command Error Handling

Error Condition	Error Bit
Command not available in current mode/security	FSTAT[ACCERR]
An invalid Flash address is supplied	FSTAT[ACCERR]
Flash address is not longword aligned	FSTAT[ACCERR]
The selected program flash sector is protected	FSTAT[FPVIOL]
Any errors have been encountered during the verify operation ¹	FSTAT[MGSTAT0]

1. User margin read may be run using the Read 1s Section command to verify all bits are erased.

27.4.10.5.1 Suspending an Erase Flash Sector Operation

To suspend an Erase Flash Sector operation set the FCNFG[ERSSUSP] bit (see [Flash Configuration Field Description](#)) when CCIF is clear and the CCOB command field holds the code for the Erase Flash Sector command. During the Erase Flash Sector operation (see [Erase Flash Sector Command](#)), the flash memory module samples the state of the ERSSUSP bit at convenient points. If the flash memory module detects that the

ERSSUSP bit is set, the Erase Flash Sector operation is suspended and the flash memory module sets CCIF. While ERSSUSP is set, all writes to flash registers are ignored except for writes to the FSTAT and FCNFG registers.

If an Erase Flash Sector operation effectively completes before the flash memory module detects that a suspend request has been made, the flash memory module clears the ERSSUSP bit prior to setting CCIF. When an Erase Flash Sector operation has been successfully suspended, the flash memory module sets CCIF and leaves the ERSSUSP bit set. While CCIF is set, the ERSSUSP bit can only be cleared to prevent the withdrawal of a suspend request before the flash memory module has acknowledged it.

27.4.10.5.2 Resuming a Suspended Erase Flash Sector Operation

If the ERSSUSP bit is still set when CCIF is cleared to launch the next command, the previous Erase Flash Sector operation resumes. The flash memory module acknowledges the request to resume a suspended operation by clearing the ERSSUSP bit. A new suspend request can then be made by setting ERSSUSP. A single Erase Flash Sector operation can be suspended and resumed multiple times.

There is a minimum elapsed time limit between the request to resume the Erase Flash Sector operation (CCIF is cleared) and the request to suspend the operation again (ERSSUSP is set). This minimum time period is required to ensure that the Erase Flash Sector operation will eventually complete. If the minimum period is continually violated, i.e. the suspend requests come repeatedly and too quickly, no forward progress is made by the Erase Flash Sector algorithm. The resume/suspend sequence runs indefinitely without completing the erase.

27.4.10.5.3 Aborting a Suspended Erase Flash Sector Operation

The user may choose to abort a suspended Erase Flash Sector operation by clearing the ERSSUSP bit prior to clearing CCIF for the next command launch. When a suspended operation is aborted, the flash memory module starts the new command using the new FCCOB contents.

Note

Aborting the erase leaves the bitcells in an indeterminate, partially-erased state. Data in this sector is not reliable until a new erase command fully completes.

The following figure shows how to suspend and resume the Erase Flash Sector operation.

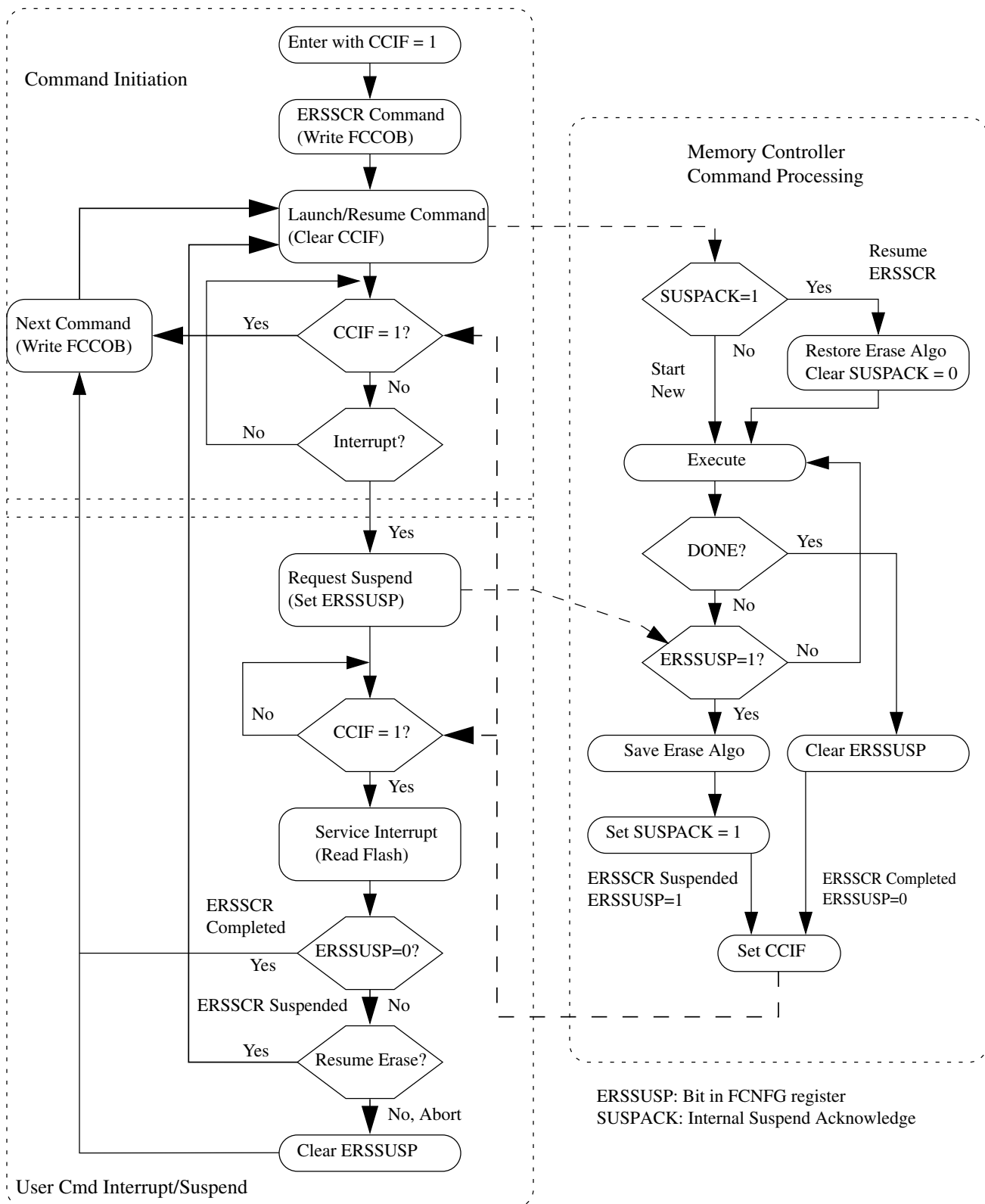


Figure 27-26. Suspend and Resume of Erase Flash Sector Operation

27.4.10.6 Read 1s All Blocks Command

The Read 1s All Blocks command checks if the program flash blocks have been erased to the specified read margin level, if applicable, and releases security if the readout passes, i.e. all data reads as '1'.

Table 27-39. Read 1s All Blocks Command FCCOB Requirements

FCCOB Number	FCCOB Contents [7:0]
0	0x40 (RD1ALL)
1	Read-1 Margin Choice

After clearing CCIF to launch the Read 1s All Blocks command, the flash memory module :

- sets the read margin for 1s according to [Table 27-40](#),
- checks the contents of the program flash are in the erased state.

If the flash memory module confirms that these memory resources are erased, security is released by setting the FSEC[SEC] field to the unsecure state. The security byte in the flash configuration field (see [Flash Configuration Field Description](#)) remains unaffected by the Read 1s All Blocks command. If the read fails, i.e. all memory resources are not in the fully erased state, the FSTAT[MGSTAT0] bit is set.

The CCIF flag sets after the Read 1s All Blocks operation has completed.

Table 27-40. Margin Level Choices for Read 1s All Blocks

Read Margin Choice	Margin Level Description
0x00	Use the 'normal' read level for 1s
0x01	Apply the 'User' margin to the normal read-1 level
0x02	Apply the 'Factory' margin to the normal read-1 level

Table 27-41. Read 1s All Blocks Command Error Handling

Error Condition	Error Bit
An invalid margin choice is specified	FSTAT[ACCERR]
Read-1s fails	FSTAT[MGSTAT0]

27.4.10.7 Read Once Command

The Read Once command provides read access to a reserved 64-byte field located in the program flash 0 IFR (see [Program Flash IFR Map](#) and [Program Once Field](#)). Access to the Program Once field is via 16 records, each 4 bytes long. The Program Once field is programmed using the Program Once command described in [Program Once Command](#).

Table 27-42. Read Once Command FCCOB Requirements

FCCOB Number	FCCOB Contents [7:0]
0	0x41 (RDONCE)
1	Program Once record index (0x00 - 0x0F)
2	Not used
3	Not used
Returned Values	
4	Program Once byte 0 value
5	Program Once byte 1 value
6	Program Once byte 2 value
7	Program Once byte 3 value

After clearing CCIF to launch the Read Once command, a 4-byte Program Once record is read from the program flash IFR and stored in the FCCOB register. The CCIF flag is set after the Read Once operation completes. Valid record index values for the Read Once command range from 0x00 to 0x0F. During execution of the Read Once command, any attempt to read addresses within the program flash block containing this 64-byte field returns invalid data. The Read Once command can be executed any number of times.

Table 27-43. Read Once Command Error Handling

Error Condition	Error Bit
Command not available in current mode/security	FSTAT[ACCERR]
An invalid record index is supplied	FSTAT[ACCERR]

27.4.10.8 Program Once Command

The Program Once command enables programming to a reserved 64-byte field in the program flash 0 IFR (see [Program Flash IFR Map](#) and [Program Once Field](#)). Access to the Program Once field is via 16 records, each 4 bytes long. The Program Once field can be read using the Read Once command (see [Read Once Command](#)) or using the Read Resource command (see [Read Resource Command](#)). Each Program Once record can be programmed only once since the program flash 0 IFR cannot be erased.

Table 27-44. Program Once Command FCCOB Requirements

FCCOB Number	FCCOB Contents [7:0]
0	0x43 (PGMONCE)
1	Program Once record index (0x00 - 0x0F)
2	Not Used
3	Not Used
4	Program Once Byte 0 value
5	Program Once Byte 1 value
6	Program Once Byte 2 value
7	Program Once Byte 3 value

After clearing CCIF to launch the Program Once command, the flash memory module first verifies that the selected record is erased. If erased, then the selected record is programmed using the values provided. The Program Once command also verifies that the programmed values read back correctly. The CCIF flag is set after the Program Once operation has completed.

The reserved program flash 0 IFR location accessed by the Program Once command cannot be erased and any attempt to program one of these records when the existing value is not Fs (erased) is not allowed. Valid record index values for the Program Once command range from 0x00 to 0x0F. During execution of the Program Once command, any attempt to read addresses within the program flash block containing this 64-byte field returns invalid data.

Table 27-45. Program Once Command Error Handling

Error Condition	Error Bit
Command not available in current mode/security	FSTAT[ACCERR]
An invalid record index is supplied	FSTAT[ACCERR]
The requested record has already been programmed to a non-FFFF value ¹	FSTAT[ACCERR]
Any errors have been encountered during the verify operation	FSTAT[MGSTAT0]

1. If a Program Once record is initially programmed to 0xFFFF_FFFF, the Program Once command is allowed to execute again on that same record.

27.4.10.9 Erase All Blocks Command

The Erase All Blocks operation erases all flash memory, verifies all memory contents, and releases MCU security.

Table 27-46. Erase All Blocks Command FCCOB Requirements

FCCOB Number	FCCOB Contents [7:0]
0	0x44 (ERSALL)

After clearing CCIF to launch the Erase All Blocks command, the flash memory module erases all program flash memory, then verifies that all are erased.

If the flash memory module verifies that all flash memories were properly erased, security is released by setting the FSEC[SEC] field to the unsecure state. The Erase All Blocks command aborts if any flash region is protected. The security byte and all other contents of the flash configuration field (see [Flash Configuration Field Description](#)) are erased by the Erase All Blocks command. If the erase-verify fails, the FSTAT[MGSTAT0] bit is set. The CCIF flag is set after the Erase All Blocks operation completes.

Table 27-47. Erase All Blocks Command Error Handling

Error Condition	Error Bit
Command not available in current mode/security	FSTAT[ACCERR]
Any region of the program flash memory is protected	FSTAT[FPVIOL]
Any errors have been encountered during the verify operation ¹	FSTAT[MGSTAT0]

1. User margin read may be run using the Read 1s All Blocks command to verify all bits are erased.

27.4.10.9.1 Triggering an Erase All External to the Flash Memory Module

The functionality of the Erase All Blocks command is also available in an uncommanded fashion outside of the flash memory. Refer to the device's Chip Configuration details for information on this functionality.

Before invoking the external erase all function, the FSTAT[ACCERR and PVIOL] flags must be cleared and the FCCOB0 register must not contain 0x44. When invoked, the erase-all function erases all program flash memory regardless of the protection settings. If the post-erase verify passes, the routine then releases security by setting the FSEC[SEC] field register to the unsecure state. The security byte in the Flash Configuration Field is also programmed to the unsecure state. The status of the erase-all request is reflected in the FCNFG[ERSAREQ] bit. The FCNFG[ERSAREQ] bit is cleared once the operation completes and the normal FSTAT error reporting is available as described in [Erase All Blocks Command](#).

27.4.10.10 Verify Backdoor Access Key Command

The Verify Backdoor Access Key command only executes if the mode and security conditions are satisfied (see [Flash Commands by Mode](#)). Execution of the Verify Backdoor Access Key command is further qualified by the FSEC[KEYEN] bits. The Verify Backdoor Access Key command releases security if user-supplied keys in the FCCOB match those stored in the Backdoor Comparison Key bytes of the Flash Configuration Field (see [Flash Configuration Field Description](#)). The column labelled Flash Configuration Field offset address shows the location of the matching byte in the Flash Configuration Field.

Table 27-48. Verify Backdoor Access Key Command FCCOB Requirements

FCCOB Number	FCCOB Contents [7:0]	Flash Configuration Field Offset Address
0	0x45 (VFYKEY)	
1-3	Not Used	
4	Key Byte 0	0x0_0000
5	Key Byte 1	0x0_0001
6	Key Byte 2	0x0_0002
7	Key Byte 3	0x0_0003
8	Key Byte 4	0x0_0004
9	Key Byte 5	0x0_0005
A	Key Byte 6	0x0_0006
B	Key Byte 7	0x0_0007

After clearing CCIF to launch the Verify Backdoor Access Key command, the flash memory module checks the FSEC[KEYEN] bits to verify that this command is enabled. If not enabled, the flash memory module sets the FSTAT[ACCERR] bit and terminates. If the command is enabled, the flash memory module compares the key provided in FCCOB to the backdoor comparison key in the Flash Configuration Field. If the backdoor keys match, the FSEC[SEC] field is changed to the unsecure state and security is released. If the backdoor keys do not match, security is not released and all future attempts to execute the Verify Backdoor Access Key command are immediately aborted and the FSTAT[ACCERR] bit is (again) set to 1 until a reset of the flash memory module occurs. If the entire 8-byte key is all zeros or all ones, the Verify Backdoor Access Key command fails with an access error. The CCIF flag is set after the Verify Backdoor Access Key operation completes.

Table 27-49. Verify Backdoor Access Key Command Error Handling

Error Condition	Error Bit
The supplied key is all-0s or all-Fs	FSTAT[ACCERR]
An incorrect backdoor key is supplied	FSTAT[ACCERR]

Table continues on the next page...

Table 27-49. Verify Backdoor Access Key Command Error Handling (continued)

Error Condition	Error Bit
Backdoor key access has not been enabled (see the description of the FSEC register)	FSTAT[ACCERR]
This command is launched and the backdoor key has mismatched since the last power down reset	FSTAT[ACCERR]

27.4.11 Security

The flash memory module provides security information to the MCU based on contents of the FSEC security register. The MCU then limits access to flash memory resources as defined in the device's Chip Configuration details. During reset, the flash memory module initializes the FSEC register using data read from the security byte of the Flash Configuration Field (see [Flash Configuration Field Description](#)).

The following fields are available in the FSEC register. The settings are described in the [Flash Security Register \(FTFA_FSEC\)](#) details.

Table 27-50. FSEC register fields

FSEC field	Description
KEYEN	Backdoor Key Access
MEEN	Mass Erase Capability
FSLACC	Freescale Factory Access
SEC	MCU security

27.4.11.1 Flash Memory Access by Mode and Security

The following table summarizes how access to the flash memory module is affected by security and operating mode.

Table 27-51. Flash Memory Access Summary

Operating Mode	Chip Security State	
	Unsecure	Secure
NVM Normal	Full command set	
NVM Special	Full command set	Only the Erase All Blocks and Read 1s All Blocks commands.

27.4.11.2 Changing the Security State

The security state out of reset can be permanently changed by programming the security byte of the flash configuration field. This assumes that you are starting from a mode where the necessary program flash erase and program commands are available and that the region of the program flash containing the flash configuration field is unprotected. If the flash security byte is successfully programmed, its new value takes affect after the next chip reset.

27.4.11.2.1 Unsecuring the Chip Using Backdoor Key Access

The chip can be unsecured by using the backdoor key access feature, which requires knowledge of the contents of the 8-byte backdoor key value stored in the Flash Configuration Field (see [Flash Configuration Field Description](#)). If the FSEC[KEYEN] bits are in the enabled state, the Verify Backdoor Access Key command (see [Verify Backdoor Access Key Command](#)) can be run; it allows the user to present prospective keys for comparison to the stored keys. If the keys match, the FSEC[SEC] bits are changed to unsecure the chip. The entire 8-byte key cannot be all 0s or all 1s; that is, 0000_0000_0000_0000h and FFFF_FFFF_FFFF_FFFFh are not accepted by the Verify Backdoor Access Key command as valid comparison values. While the Verify Backdoor Access Key command is active, program flash memory is not available for read access and returns invalid data.

The user code stored in the program flash memory must have a method of receiving the backdoor keys from an external stimulus. This external stimulus would typically be through one of the on-chip serial ports.

If the KEYEN bits are in the enabled state, the chip can be unsecured by the following backdoor key access sequence:

1. Follow the command sequence for the Verify Backdoor Access Key command as explained in [Verify Backdoor Access Key Command](#)
2. If the Verify Backdoor Access Key command is successful, the chip is unsecured and the FSEC[SEC] bits are forced to the unsecure state

An illegal key provided to the Verify Backdoor Access Key command prohibits further use of the Verify Backdoor Access Key command. A reset of the chip is the only method to re-enable the Verify Backdoor Access Key command when a comparison fails.

After the backdoor keys have been correctly matched, the chip is unsecured by changing the FSEC[SEC] bits. A successful execution of the Verify Backdoor Access Key command changes the security in the FSEC register only. It does not alter the security byte or the keys stored in the Flash Configuration Field ([Flash Configuration Field Description](#)). After the next reset of the chip, the security state of the flash memory

module reverts back to the flash security byte in the Flash Configuration Field. The Verify Backdoor Access Key command sequence has no effect on the program and erase protections defined in the program flash protection registers.

If the backdoor keys successfully match, the unsecured chip has full control of the contents of the Flash Configuration Field. The chip may erase the sector containing the Flash Configuration Field and reprogram the flash security byte to the unsecure state and change the backdoor keys to any desired value.

27.4.12 Reset Sequence

On each system reset the flash memory module executes a sequence which establishes initial values for the flash block configuration parameters, FPROT, FOPT, and FSEC registers.

FSTAT[CCIF] is cleared throughout the reset sequence. The flash memory module holds off CPU access during the reset sequence. Flash reads are possible when the hold is removed. Completion of the reset sequence is marked by setting CCIF which enables flash user commands.

If a reset occurs while any flash command is in progress, that command is immediately aborted. The state of the word being programmed or the sector/block being erased is not guaranteed. Commands and operations do not automatically resume after exiting reset.

Chapter 28

Analog-to-Digital Converter (ADC)

28.1 Introduction

NOTE

For the chip-specific implementation details of this module's instances, see the chip configuration information.

The 16-bit analog-to-digital converter (ADC) is a successive approximation ADC designed for operation within an integrated microcontroller system-on-chip.

NOTE

For the chip specific modes of operation, see the power management information of the device.

28.1.1 Features

Following are the features of the ADC module.

- Linear successive approximation algorithm with up to 16-bit resolution
- Up to four pairs of differential and 24 single-ended external analog inputs
- Output modes:
 - differential 16-bit, 13-bit, 11-bit, and 9-bit modes
 - single-ended 16-bit, 12-bit, 10-bit, and 8-bit modes
- Output format in 2's complement 16-bit sign extended for differential modes
- Output in right-justified unsigned format for single-ended
- Single or continuous conversion, that is, automatic return to idle after single conversion

- Configurable sample time and conversion speed/power
- Conversion complete/hardware average complete flag and interrupt
- Input clock selectable from up to four sources
- Operation in low-power modes for lower noise
- Asynchronous clock source for lower noise operation with option to output the clock
- Selectable hardware conversion trigger with hardware channel select
- Automatic compare with interrupt for less-than, greater-than or equal-to, within range, or out-of-range, programmable value
- Temperature sensor
- Hardware average function
- Selectable voltage reference: external or alternate
- Self-Calibration mode

28.1.2 Block diagram

The following figure is the ADC module block diagram.

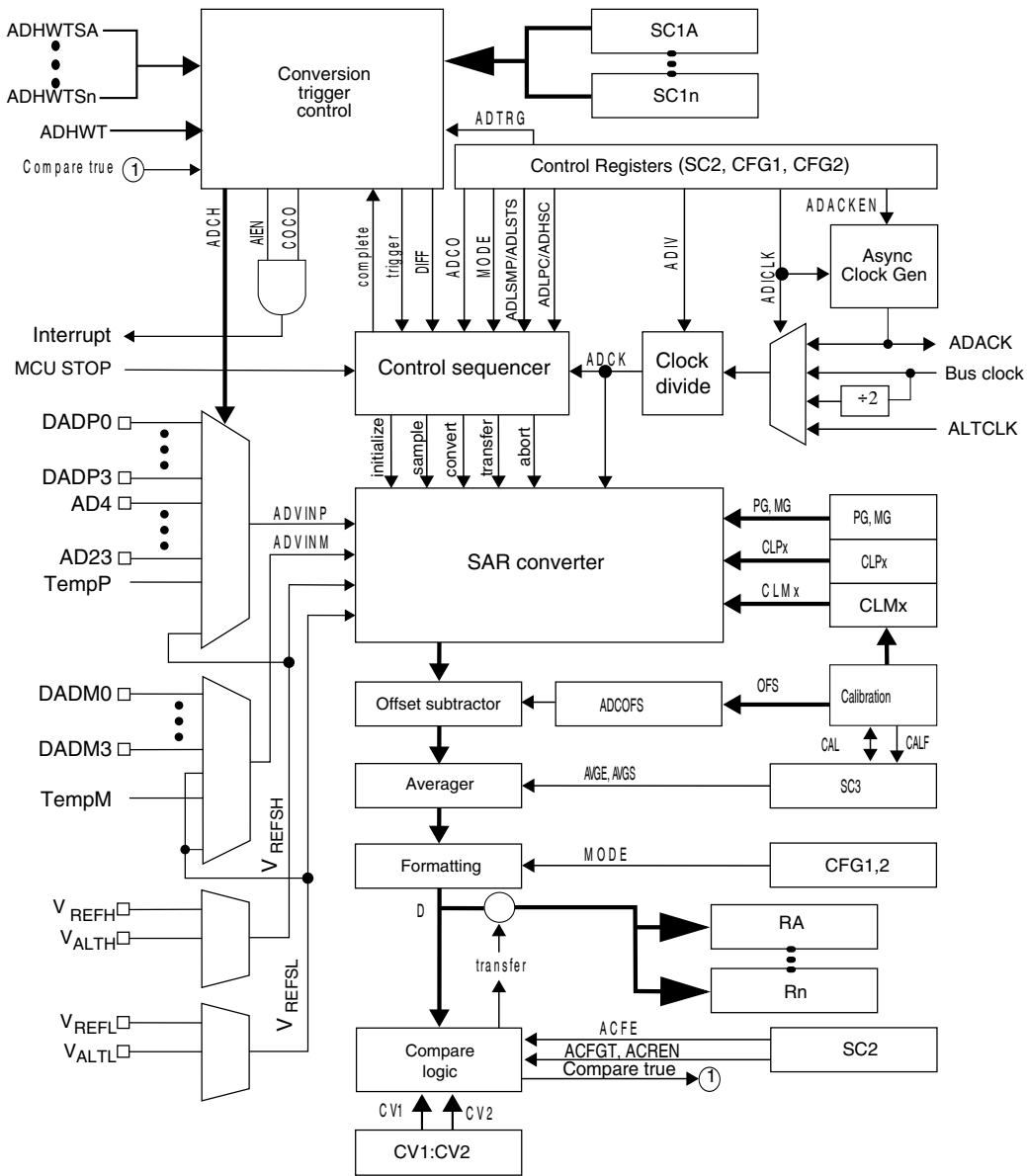


Figure 28-1. ADC block diagram

28.2 ADC signal descriptions

The ADC module supports up to 4 pairs of differential inputs and up to 24 single-ended inputs. Each differential pair requires two inputs, DADPx and DADMx. The ADC also requires four supply/reference/ground connections.

NOTE

Refer to ADC configuration section in chip configuration chapter for the number of channels supported on this device.

Table 28-1. ADC signal descriptions

Signal	Description	I/O
DADP3–DADP0	Differential Analog Channel Inputs	I
DADM3–DADM0	Differential Analog Channel Inputs	I
AD n	Single-Ended Analog Channel Inputs	I
V _{REFSH}	Voltage Reference Select High	I
V _{REFSL}	Voltage Reference Select Low	I
V _{DDA}	Analog Power Supply	I
V _{SSA}	Analog Ground	I

28.2.1 Analog Power (V_{DDA})

The ADC analog portion uses V_{DDA} as its power connection. In some packages, V_{DDA} is connected internally to V_{DD}. If externally available, connect the V_{DDA} pin to the same voltage potential as V_{DD}. External filtering may be necessary to ensure clean V_{DDA} for good results.

28.2.2 Analog Ground (V_{SSA})

The ADC analog portion uses V_{SSA} as its ground connection. In some packages, V_{SSA} is connected internally to V_{SS}. If externally available, connect the V_{SSA} pin to the same voltage potential as V_{SS}.

28.2.3 Voltage Reference Select

V_{REFSH} and V_{REFSL} are the high and low reference voltages for the ADC module.

The ADC can be configured to accept one of two voltage reference pairs for V_{REFSH} and V_{REFSL}. Each pair contains a positive reference that must be between the minimum Ref Voltage High and V_{DDA}, and a ground reference that must be at the same potential as V_{SSA}. The two pairs are external (V_{REFH} and V_{REFL}) and alternate (V_{ALTH} and V_{ALTTL}). These voltage references are selected using SC2[REFSEL]. The alternate V_{ALTH} and V_{ALTTL} voltage reference pair may select additional external pins or internal sources depending on MCU configuration. See the chip configuration information on the Voltage References specific to this MCU.

In some packages, V_{REFH} is connected in the package to V_{DDA} and V_{REFL} to V_{SSA} . If externally available, the positive reference(s) may be connected to the same potential as V_{DDA} or may be driven by an external source to a level between the minimum Ref Voltage High and the V_{DDA} potential. V_{REFH} must never exceed V_{DDA} . Connect the ground references to the same voltage potential as V_{SSA} .

28.2.4 Analog Channel Inputs (ADx)

The ADC module supports up to 24 single-ended analog inputs. A single-ended input is selected for conversion through the $SC1[ADCH]$ channel select bits when $SC1n[DIFF]$ is low.

28.2.5 Differential Analog Channel Inputs (DADx)

The ADC module supports up to four differential analog channel inputs. Each differential analog input is a pair of external pins, $DADPx$ and $DADMx$, referenced to each other to provide the most accurate analog to digital readings. A differential input is selected for conversion through $SC1[ADCH]$ when $SC1n[DIFF]$ is high. All $DADPx$ inputs may be used as single-ended inputs if $SC1n[DIFF]$ is low. In certain MCU configurations, some $DADMx$ inputs may also be used as single-ended inputs if $SC1n[DIFF]$ is low. See the chip configuration chapter for ADC connections specific to this MCU.

28.3 Memory map and register definitions

This section describes the ADC registers.

ADC memory map

Absolute address (hex)	Register name	Width (in bits)	Access	Reset value	Section/page
4003_B000	ADC Status and Control Registers 1 (ADC0_SC1A)	32	R/W	0000_001Fh	28.3.1/466
4003_B004	ADC Status and Control Registers 1 (ADC0_SC1B)	32	R/W	0000_001Fh	28.3.1/466
4003_B008	ADC Configuration Register 1 (ADC0_CFG1)	32	R/W	0000_0000h	28.3.2/469
4003_B00C	ADC Configuration Register 2 (ADC0_CFG2)	32	R/W	0000_0000h	28.3.3/471
4003_B010	ADC Data Result Register (ADC0_RA)	32	R	0000_0000h	28.3.4/472
4003_B014	ADC Data Result Register (ADC0_RB)	32	R	0000_0000h	28.3.4/472
4003_B018	Compare Value Registers (ADC0_CV1)	32	R/W	0000_0000h	28.3.5/473
4003_B01C	Compare Value Registers (ADC0_CV2)	32	R/W	0000_0000h	28.3.5/473

Table continues on the next page...

ADC memory map (continued)

Absolute address (hex)	Register name	Width (in bits)	Access	Reset value	Section/page
4003_B020	Status and Control Register 2 (ADC0_SC2)	32	R/W	0000_0000h	28.3.6/474
4003_B024	Status and Control Register 3 (ADC0_SC3)	32	R/W	0000_0000h	28.3.7/476
4003_B028	ADC Offset Correction Register (ADC0_OFS)	32	R/W	0000_0004h	28.3.8/478
4003_B02C	ADC Plus-Side Gain Register (ADC0_PG)	32	R/W	0000_8200h	28.3.9/478
4003_B030	ADC Minus-Side Gain Register (ADC0_MG)	32	R/W	0000_8200h	28.3.10/479
4003_B034	ADC Plus-Side General Calibration Value Register (ADC0_CLPD)	32	R/W	0000_000Ah	28.3.11/479
4003_B038	ADC Plus-Side General Calibration Value Register (ADC0_CLPS)	32	R/W	0000_0020h	28.3.12/480
4003_B03C	ADC Plus-Side General Calibration Value Register (ADC0_CLP4)	32	R/W	0000_0200h	28.3.13/480
4003_B040	ADC Plus-Side General Calibration Value Register (ADC0_CLP3)	32	R/W	0000_0100h	28.3.14/481
4003_B044	ADC Plus-Side General Calibration Value Register (ADC0_CLP2)	32	R/W	0000_0080h	28.3.15/481
4003_B048	ADC Plus-Side General Calibration Value Register (ADC0_CLP1)	32	R/W	0000_0040h	28.3.16/482
4003_B04C	ADC Plus-Side General Calibration Value Register (ADC0_CLP0)	32	R/W	0000_0020h	28.3.17/482
4003_B054	ADC Minus-Side General Calibration Value Register (ADC0_CLMD)	32	R/W	0000_000Ah	28.3.18/483
4003_B058	ADC Minus-Side General Calibration Value Register (ADC0_CLMS)	32	R/W	0000_0020h	28.3.19/483
4003_B05C	ADC Minus-Side General Calibration Value Register (ADC0_CLM4)	32	R/W	0000_0200h	28.3.20/484
4003_B060	ADC Minus-Side General Calibration Value Register (ADC0_CLM3)	32	R/W	0000_0100h	28.3.21/484
4003_B064	ADC Minus-Side General Calibration Value Register (ADC0_CLM2)	32	R/W	0000_0080h	28.3.22/485
4003_B068	ADC Minus-Side General Calibration Value Register (ADC0_CLM1)	32	R/W	0000_0040h	28.3.23/485
4003_B06C	ADC Minus-Side General Calibration Value Register (ADC0_CLM0)	32	R/W	0000_0020h	28.3.24/486

28.3.1 ADC Status and Control Registers 1 (ADCx_SC1n)

SC1A is used for both software and hardware trigger modes of operation.

To allow sequential conversions of the ADC to be triggered by internal peripherals, the ADC can have more than one status and control register: one for each conversion. The SC1B–SC1n registers indicate potentially multiple SC1 registers for use only in hardware

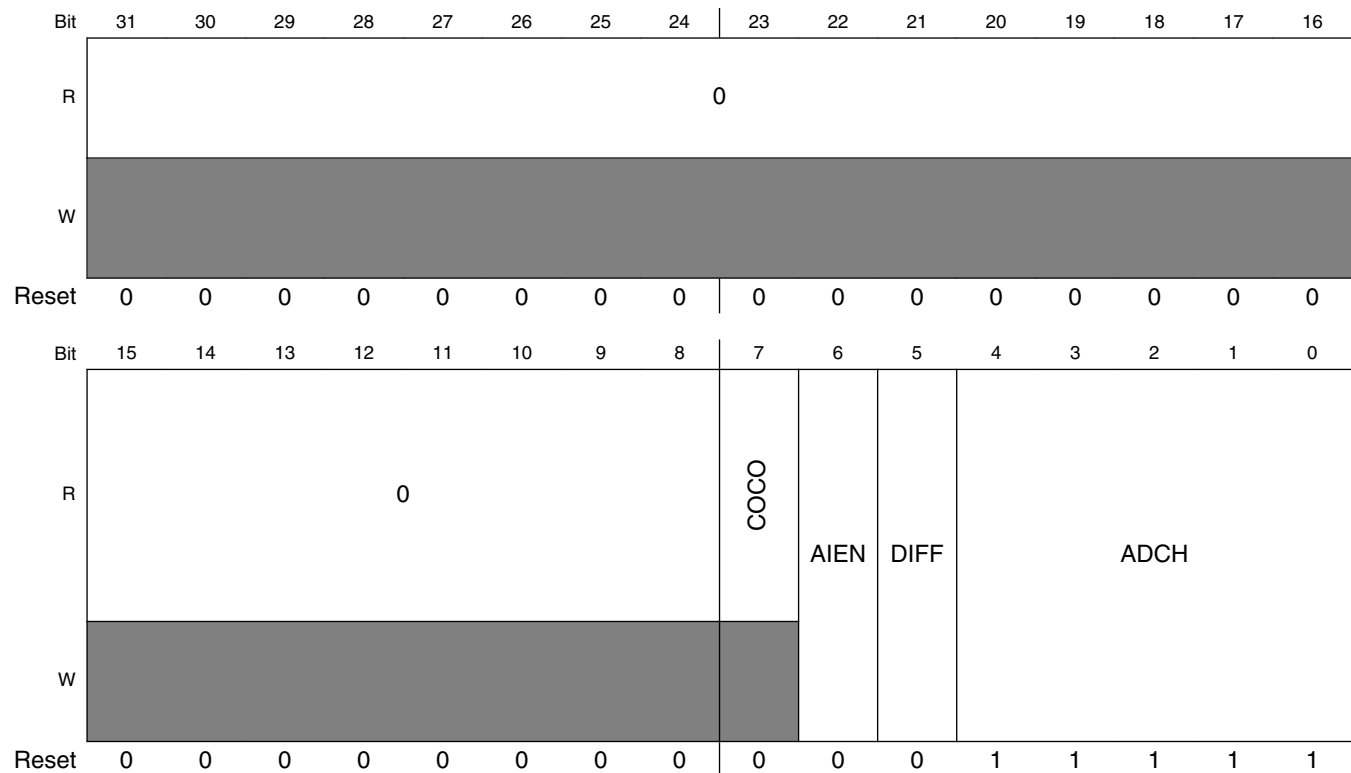
trigger mode. See the chip configuration information about the number of SC1n registers specific to this device. The SC1n registers have identical fields, and are used in a "ping-pong" approach to control ADC operation.

At any one point in time, only one of the SC1n registers is actively controlling ADC conversions. Updating SC1A while SC1n is actively controlling a conversion is allowed, and vice-versa for any of the SC1n registers specific to this MCU.

Writing SC1A while SC1A is actively controlling a conversion aborts the current conversion. In Software Trigger mode, when SC2[ADTRG]=0, writes to SC1A subsequently initiate a new conversion, if SC1[ADCH] contains a value other than all 1s.

Writing any of the SC1n registers while that specific SC1n register is actively controlling a conversion aborts the current conversion. None of the SC1B-SC1n registers are used for software trigger operation and therefore writes to the SC1B-SC1n registers do not initiate a new conversion.

Address: 4003_B000h base + 0h offset + (4d × i), where i=0d to 1d



ADCx_SC1n field descriptions

Field	Description
31–8 Reserved	This field is reserved. This read-only field is reserved and always has the value 0.
7 COCO	Conversion Complete Flag

Table continues on the next page...

ADCx_SC1n field descriptions (continued)

Field	Description
	<p>This is a read-only field that is set each time a conversion is completed when the compare function is disabled, or SC2[ACFE]=0 and the hardware average function is disabled, or SC3[AVGE]=0. When the compare function is enabled, or SC2[ACFE]=1, COCO is set upon completion of a conversion only if the compare result is true. When the hardware average function is enabled, or SC3[AVGE]=1, COCO is set upon completion of the selected number of conversions (determined by AVGS). COCO in SC1A is also set at the completion of a calibration sequence. COCO is cleared when the respective SC1n register is written or when the respective Rn register is read.</p> <p>0 Conversion is not completed. 1 Conversion is completed.</p>
6 AIEN	<p>Interrupt Enable</p> <p>Enables conversion complete interrupts. When COCO becomes set while the respective AIEN is high, an interrupt is asserted.</p> <p>0 Conversion complete interrupt is disabled. 1 Conversion complete interrupt is enabled.</p>
5 DIFF	<p>Differential Mode Enable</p> <p>Configures the ADC to operate in differential mode. When enabled, this mode automatically selects from the differential channels, and changes the conversion algorithm and the number of cycles to complete a conversion.</p> <p>0 Single-ended conversions and input channels are selected. 1 Differential conversions and input channels are selected.</p>
4–0 ADCH	<p>Input channel select</p> <p>Selects one of the input channels. The input channel decode depends on the value of DIFF. DAD0-DAD3 are associated with the input pin pairs DADPx and DADMx.</p> <p>NOTE: Some of the input channel options in the bitfield-setting descriptions might not be available for your device. For the actual ADC channel assignments for your device, see the Chip Configuration details.</p> <p>The successive approximation converter subsystem is turned off when the channel select bits are all set, that is, ADCH = 11111. This feature allows explicit disabling of the ADC and isolation of the input channel from all sources. Terminating continuous conversions this way prevents an additional single conversion from being performed. It is not necessary to set ADCH to all 1s to place the ADC in a low-power state when continuous conversions are not enabled because the module automatically enters a low-power state when a conversion completes.</p> <p>00000 When DIFF=0, DADP0 is selected as input; when DIFF=1, DAD0 is selected as input. 00001 When DIFF=0, DADP1 is selected as input; when DIFF=1, DAD1 is selected as input. 00010 When DIFF=0, DADP2 is selected as input; when DIFF=1, DAD2 is selected as input. 00011 When DIFF=0, DADP3 is selected as input; when DIFF=1, DAD3 is selected as input. 00100 When DIFF=0, AD4 is selected as input; when DIFF=1, it is reserved. 00101 When DIFF=0, AD5 is selected as input; when DIFF=1, it is reserved. 00110 When DIFF=0, AD6 is selected as input; when DIFF=1, it is reserved. 00111 When DIFF=0, AD7 is selected as input; when DIFF=1, it is reserved. 01000 When DIFF=0, AD8 is selected as input; when DIFF=1, it is reserved. 01001 When DIFF=0, AD9 is selected as input; when DIFF=1, it is reserved. 01010 When DIFF=0, AD10 is selected as input; when DIFF=1, it is reserved. 01011 When DIFF=0, AD11 is selected as input; when DIFF=1, it is reserved.</p>

Table continues on the next page...

ADCx_SC1n field descriptions (continued)

Field	Description
01100	When DIFF=0, AD12 is selected as input; when DIFF=1, it is reserved.
01101	When DIFF=0, AD13 is selected as input; when DIFF=1, it is reserved.
01110	When DIFF=0, AD14 is selected as input; when DIFF=1, it is reserved.
01111	When DIFF=0, AD15 is selected as input; when DIFF=1, it is reserved.
10000	When DIFF=0, AD16 is selected as input; when DIFF=1, it is reserved.
10001	When DIFF=0, AD17 is selected as input; when DIFF=1, it is reserved.
10010	When DIFF=0, AD18 is selected as input; when DIFF=1, it is reserved.
10011	When DIFF=0, AD19 is selected as input; when DIFF=1, it is reserved.
10100	When DIFF=0, AD20 is selected as input; when DIFF=1, it is reserved.
10101	When DIFF=0, AD21 is selected as input; when DIFF=1, it is reserved.
10110	When DIFF=0, AD22 is selected as input; when DIFF=1, it is reserved.
10111	When DIFF=0, AD23 is selected as input; when DIFF=1, it is reserved.
11000	Reserved.
11001	Reserved.
11010	When DIFF=0, Temp Sensor (single-ended) is selected as input; when DIFF=1, Temp Sensor (differential) is selected as input.
11011	When DIFF=0, Bandgap (single-ended) is selected as input; when DIFF=1, Bandgap (differential) is selected as input.
11100	Reserved.
11101	When DIFF=0, V _{REFSH} is selected as input; when DIFF=1, -V _{REFSH} (differential) is selected as input. Voltage reference selected is determined by SC2[REFSEL].
11110	When DIFF=0, V _{REFSL} is selected as input; when DIFF=1, it is reserved. Voltage reference selected is determined by SC2[REFSEL].
11111	Module is disabled.

28.3.2 ADC Configuration Register 1 (ADCx_CFG1)

The configuration Register 1 (CFG1) selects the mode of operation, clock source, clock divide, and configuration for low power or long sample time.

Address: 4003_B000h base + 8h offset = 4003_B008h

Bit	31	30	29	28	27	26	25	24	23	22	21	20	19	18	17	16
R	0															
W																
Reset	0	0	0	0	0	0	0	0	0	0	0	0	0	0	0	0
Bit	15	14	13	12	11	10	9	8	7	6	5	4	3	2	1	0
R	0								ADLPC	ADIV		ADLSMP	MODE		ADICLK	
W									ADLPC	ADIV		ADLSMP	MODE		ADICLK	
Reset	0	0	0	0	0	0	0	0	0	0	0	0	0	0	0	0

ADCx_CFG1 field descriptions

Field	Description
31–8 Reserved	This field is reserved. This read-only field is reserved and always has the value 0.
7 ADLPC	Low-Power Configuration Controls the power configuration of the successive approximation converter. This optimizes power consumption when higher sample rates are not required. 0 Normal power configuration. 1 Low-power configuration. The power is reduced at the expense of maximum clock speed.
6–5 ADIV	Clock Divide Select Selects the divide ratio used by the ADC to generate the internal clock ADCK. 00 The divide ratio is 1 and the clock rate is input clock. 01 The divide ratio is 2 and the clock rate is (input clock)/2. 10 The divide ratio is 4 and the clock rate is (input clock)/4. 11 The divide ratio is 8 and the clock rate is (input clock)/8.
4 ADLSMP	Sample Time Configuration Selects between different sample times based on the conversion mode selected. This field adjusts the sample period to allow higher impedance inputs to be accurately sampled or to maximize conversion speed for lower impedance inputs. Longer sample times can also be used to lower overall power consumption if continuous conversions are enabled and high conversion rates are not required. When ADLSMP=1, the long sample time select bits, (ADLSTS[1:0]), can select the extent of the long sample time. 0 Short sample time. 1 Long sample time.
3–2 MODE	Conversion mode selection Selects the ADC resolution mode. 00 When DIFF=0:It is single-ended 8-bit conversion; when DIFF=1, it is differential 9-bit conversion with 2's complement output. 01 When DIFF=0:It is single-ended 12-bit conversion ; when DIFF=1, it is differential 13-bit conversion with 2's complement output. 10 When DIFF=0:It is single-ended 10-bit conversion. ; when DIFF=1, it is differential 11-bit conversion with 2's complement output 11 When DIFF=0:It is single-ended 16-bit conversion..; when DIFF=1, it is differential 16-bit conversion with 2's complement output
1–0 ADICLK	Input Clock Select Selects the input clock source to generate the internal clock, ADCK. Note that when the ADACK clock source is selected, it is not required to be active prior to conversion start. When it is selected and it is not active prior to a conversion start, when CFG2[ADACKEN]=0, the asynchronous clock is activated at the start of a conversion and deactivated when conversions are terminated. In this case, there is an associated clock startup delay each time the clock source is re-activated. 00 Bus clock 01 (Bus clock)/2 10 Alternate clock (ALTCLK) 11 Asynchronous clock (ADACK)

28.3.3 ADC Configuration Register 2 (ADCx_CFG2)

Configuration Register 2 (CFG2) selects the special high-speed configuration for very high speed conversions and selects the long sample time duration during long sample mode.

Address: 4003_B000h base + Ch offset = 4003_B00Ch

Bit	31	30	29	28	27	26	25	24	23	22	21	20	19	18	17	16
R	0															
W	[Reserved]															
Reset	0	0	0	0	0	0	0	0	0	0	0	0	0	0	0	0
Bit	15	14	13	12	11	10	9	8	7	6	5	4	3	2	1	0
R	0								0			MUXSEL	ADACKEN	ADHSC	ADLSTS	
W	[Reserved]								[Reserved]			MUXSEL	ADACKEN	ADHSC	ADLSTS	
Reset	0	0	0	0	0	0	0	0	0	0	0	0	0	0	0	0

ADCx_CFG2 field descriptions

Field	Description
31–8 Reserved	This field is reserved. This read-only field is reserved and always has the value 0.
7–5 Reserved	This field is reserved. This read-only field is reserved and always has the value 0.
4 MUXSEL	ADC Mux Select Changes the ADC mux setting to select between alternate sets of ADC channels. 0 ADxxa channels are selected. 1 ADxxb channels are selected.
3 ADACKEN	Asynchronous Clock Output Enable Enables the asynchronous clock source and the clock source output regardless of the conversion and status of CFG1[ADICLK]. Based on MCU configuration, the asynchronous clock may be used by other modules. See chip configuration information. Setting this field allows the clock to be used even while the ADC is idle or operating from a different clock source. Also, latency of initiating a single or first-continuous conversion with the asynchronous clock selected is reduced because the ADACK clock is already operational. 0 Asynchronous clock output disabled; Asynchronous clock is enabled only if selected by ADICLK and a conversion is active. 1 Asynchronous clock and clock output is enabled regardless of the state of the ADC.
2 ADHSC	High-Speed Configuration

Table continues on the next page...

ADCx_CFG2 field descriptions (continued)

Field	Description
	Configures the ADC for very high-speed operation. The conversion sequence is altered with 2 ADCK cycles added to the conversion time to allow higher speed conversion clocks. 0 Normal conversion sequence selected. 1 High-speed conversion sequence selected with 2 additional ADCK cycles to total conversion time.
1–0 ADLSTS	Long Sample Time Select Selects between the extended sample times when long sample time is selected, that is, when CFG1[ADLSMP]=1. This allows higher impedance inputs to be accurately sampled or to maximize conversion speed for lower impedance inputs. Longer sample times can also be used to lower overall power consumption when continuous conversions are enabled if high conversion rates are not required. 00 Default longest sample time; 20 extra ADCK cycles; 24 ADCK cycles total. 01 12 extra ADCK cycles; 16 ADCK cycles total sample time. 10 6 extra ADCK cycles; 10 ADCK cycles total sample time. 11 2 extra ADCK cycles; 6 ADCK cycles total sample time.

28.3.4 ADC Data Result Register (ADCx_Rn)

The data result registers (Rn) contain the result of an ADC conversion of the channel selected by the corresponding status and channel control register (SC1A:SC1n). For every status and channel control register, there is a corresponding data result register.

Unused bits in Rn are cleared in unsigned right-aligned modes and carry the sign bit (MSB) in sign-extended 2's complement modes. For example, when configured for 10-bit single-ended mode, D[15:10] are cleared. When configured for 11-bit differential mode, D[15:10] carry the sign bit, that is, bit 10 extended through bit 15.

The following table describes the behavior of the data result registers in the different modes of operation.

Table 28-43. Data result register description

Conversion mode	D15	D14	D13	D12	D11	D10	D9	D8	D7	D6	D5	D4	D3	D2	D1	D0	Format
16-bit differential	S	D	D	D	D	D	D	D	D	D	D	D	D	D	D	D	Signed 2's complement
16-bit single-ended	D	D	D	D	D	D	D	D	D	D	D	D	D	D	D	D	Unsigned right justified
13-bit differential	S	S	S	S	D	D	D	D	D	D	D	D	D	D	D	D	Sign-extended 2's complement
12-bit single-ended	0	0	0	0	D	D	D	D	D	D	D	D	D	D	D	D	Unsigned right-justified
11-bit differential	S	S	S	S	S	S	D	D	D	D	D	D	D	D	D	D	Sign-extended 2's complement

Table continues on the next page...

Table 28-43. Data result register description (continued)

Conversion mode	D15	D14	D13	D12	D11	D10	D9	D8	D7	D6	D5	D4	D3	D2	D1	D0	Format
10-bit single-ended	0	0	0	0	0	0	D	D	D	D	D	D	D	D	D	D	Unsigned right-justified
9-bit differential	S	S	S	S	S	S	S	S	D	D	D	D	D	D	D	D	Sign-extended 2's complement
8-bit single-ended	0	0	0	0	0	0	0	0	D	D	D	D	D	D	D	D	Unsigned right-justified

NOTE

S: Sign bit or sign bit extension;

D: Data, which is 2's complement data if indicated

Address: 4003_B000h base + 10h offset + (4d × i), where i=0d to 1d

Bit	31	30	29	28	27	26	25	24	23	22	21	20	19	18	17	16	15	14	13	12	11	10	9	8	7	6	5	4	3	2	1	0
R	0																D															
W	0																															
Reset	0	0	0	0	0	0	0	0	0	0	0	0	0	0	0	0	0	0	0	0	0	0	0	0	0	0	0	0	0	0	0	0

ADCx_Rn field descriptions

Field	Description
31–16 Reserved	This field is reserved. This read-only field is reserved and always has the value 0.
15–0 D	Data result

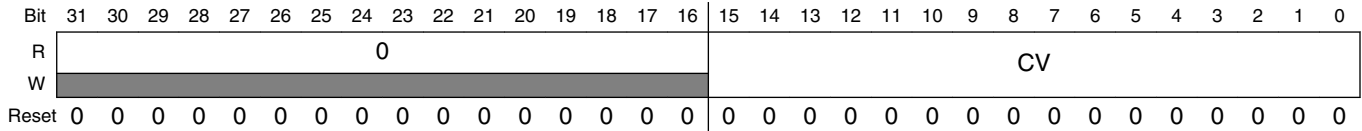
28.3.5 Compare Value Registers (ADCx_CVn)

The Compare Value Registers (CV1 and CV2) contain a compare value used to compare the conversion result when the compare function is enabled, that is, SC2[ACFE]=1. This register is formatted in the same way as the Rn registers in different modes of operation for both bit position definition and value format using unsigned or sign-extended 2's complement. Therefore, the compare function uses only the CVn fields that are related to the ADC mode of operation.

The compare value 2 register (CV2) is used only when the compare range function is enabled, that is, SC2[ACREN]=1.

Memory map and register definitions

Address: 4003_B000h base + 18h offset + (4d × i), where i=0d to 1d



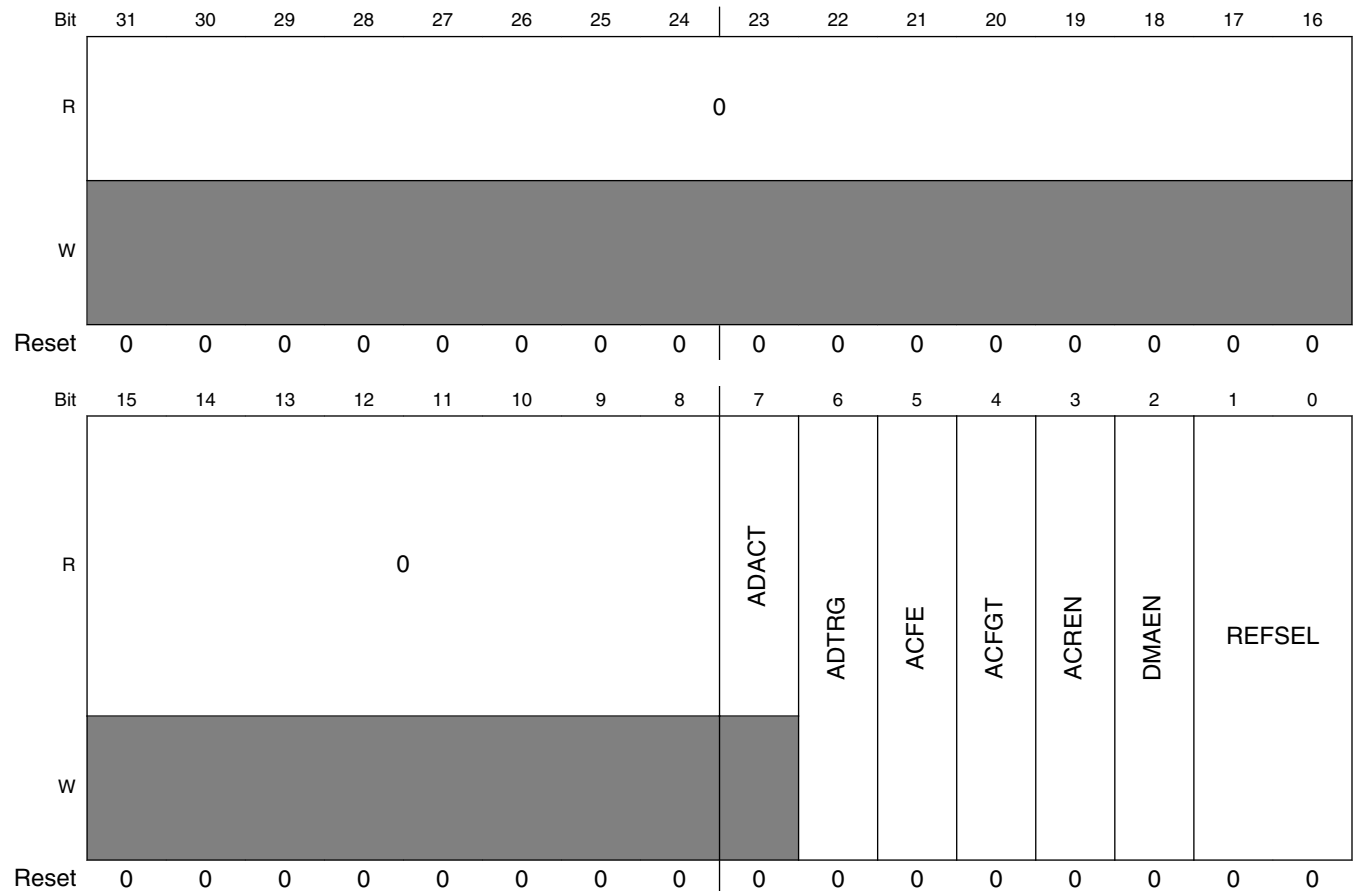
ADCx_CVn field descriptions

Field	Description
31–16 Reserved	This field is reserved. This read-only field is reserved and always has the value 0.
15–0 CV	Compare Value.

28.3.6 Status and Control Register 2 (ADCx_SC2)

The status and control register 2 (SC2) contains the conversion active, hardware/software trigger select, compare function, and voltage reference select of the ADC module.

Address: 4003_B000h base + 20h offset = 4003_B020h



ADCx_SC2 field descriptions

Field	Description
31–8 Reserved	This field is reserved. This read-only field is reserved and always has the value 0.
7 ADACT	Conversion Active Indicates that a conversion or hardware averaging is in progress. ADACT is set when a conversion is initiated and cleared when a conversion is completed or aborted. 0 Conversion not in progress. 1 Conversion in progress.
6 ADTRG	Conversion Trigger Select Selects the type of trigger used for initiating a conversion. Two types of trigger are selectable: <ul style="list-style-type: none"> • Software trigger: When software trigger is selected, a conversion is initiated following a write to SC1A. • Hardware trigger: When hardware trigger is selected, a conversion is initiated following the assertion of the ADHWT input after a pulse of the ADHWTSn input. 0 Software trigger selected. 1 Hardware trigger selected.
5 ACFE	Compare Function Enable Enables the compare function. 0 Compare function disabled. 1 Compare function enabled.
4 ACFGT	Compare Function Greater Than Enable Configures the compare function to check the conversion result relative to the CV1 and CV2 based upon the value of ACREN. ACFE must be set for ACFGT to have any effect. 0 Configures less than threshold, outside range not inclusive and inside range not inclusive; functionality based on the values placed in CV1 and CV2. 1 Configures greater than or equal to threshold, outside and inside ranges inclusive; functionality based on the values placed in CV1 and CV2.
3 ACREN	Compare Function Range Enable Configures the compare function to check if the conversion result of the input being monitored is either between or outside the range formed by CV1 and CV2 determined by the value of ACFGT. ACFE must be set for ACFGT to have any effect. 0 Range function disabled. Only CV1 is compared. 1 Range function enabled. Both CV1 and CV2 are compared.
2 DMAEN	DMA Enable 0 DMA is disabled. 1 DMA is enabled and will assert the ADC DMA request during an ADC conversion complete event noted when any of the SC1n[COCO] flags is asserted.
1–0 REFSEL	Voltage Reference Selection Selects the voltage reference source used for conversions. 00 Default voltage reference pin pair, that is, external pins V_{REFH} and V_{REFL}

Table continues on the next page...

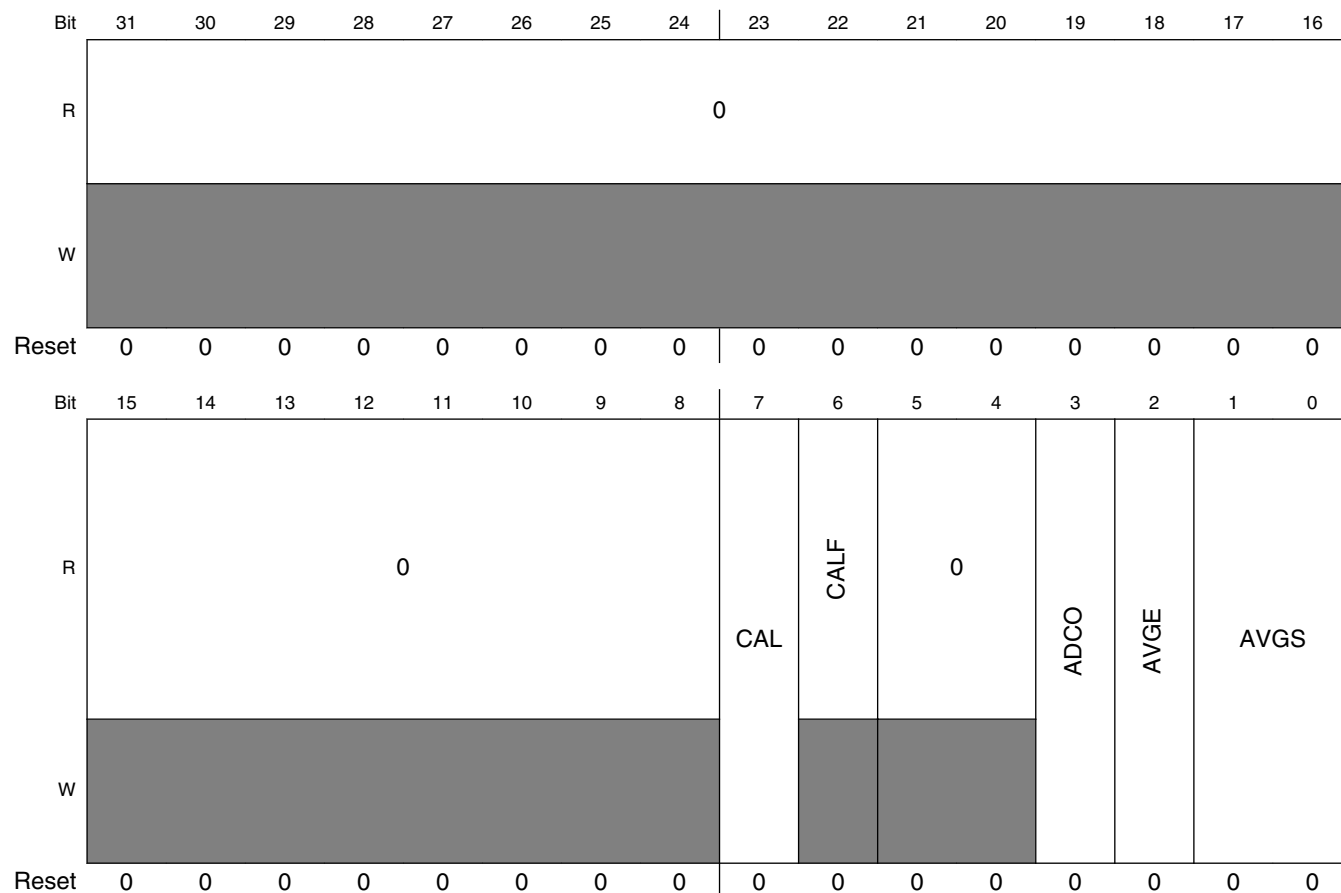
ADCx_SC2 field descriptions (continued)

Field	Description
01	Alternate reference pair, that is, V _{ALTH} and V _{ALTL} . This pair may be additional external pins or internal sources depending on the MCU configuration. See the chip configuration information for details specific to this MCU
10	Reserved
11	Reserved

28.3.7 Status and Control Register 3 (ADCx_SC3)

The Status and Control Register 3 (SC3) controls the calibration, continuous convert, and hardware averaging functions of the ADC module.

Address: 4003_B000h base + 24h offset = 4003_B024h



ADCx_SC3 field descriptions

Field	Description
31–8 Reserved	This field is reserved. This read-only field is reserved and always has the value 0.

Table continues on the next page...

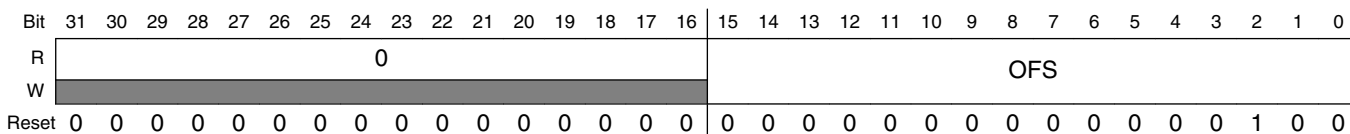
ADCx_SC3 field descriptions (continued)

Field	Description
7 CAL	<p>Calibration</p> <p>Begins the calibration sequence when set. This field stays set while the calibration is in progress and is cleared when the calibration sequence is completed. CALF must be checked to determine the result of the calibration sequence. Once started, the calibration routine cannot be interrupted by writes to the ADC registers or the results will be invalid and CALF will set. Setting CAL will abort any current conversion.</p>
6 CALF	<p>Calibration Failed Flag</p> <p>Displays the result of the calibration sequence. The calibration sequence will fail if SC2[ADTRG] = 1, any ADC register is written, or any stop mode is entered before the calibration sequence completes. Writing 1 to CALF clears it.</p> <p>0 Calibration completed normally. 1 Calibration failed. ADC accuracy specifications are not guaranteed.</p>
5–4 Reserved	<p>This field is reserved. This read-only field is reserved and always has the value 0.</p>
3 ADCO	<p>Continuous Conversion Enable</p> <p>Enables continuous conversions.</p> <p>0 One conversion or one set of conversions if the hardware average function is enabled, that is, AVGE=1, after initiating a conversion. 1 Continuous conversions or sets of conversions if the hardware average function is enabled, that is, AVGE=1, after initiating a conversion.</p>
2 AVGE	<p>Hardware Average Enable</p> <p>Enables the hardware average function of the ADC.</p> <p>0 Hardware average function disabled. 1 Hardware average function enabled.</p>
1–0 AVGS	<p>Hardware Average Select</p> <p>Determines how many ADC conversions will be averaged to create the ADC average result.</p> <p>00 4 samples averaged. 01 8 samples averaged. 10 16 samples averaged. 11 32 samples averaged.</p>

28.3.8 ADC Offset Correction Register (ADCx_OFS)

The ADC Offset Correction Register (OFS) contains the user-selected or calibration-generated offset error correction value. This register is a 2’s complement, left-justified, 16-bit value . The value in OFS is subtracted from the conversion and the result is transferred into the result registers, Rn. If the result is greater than the maximum or less than the minimum result value, it is forced to the appropriate limit for the current mode of operation.

Address: 4003_B000h base + 28h offset = 4003_B028h



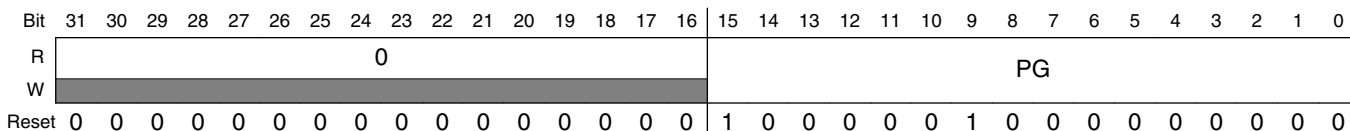
ADCx_OFS field descriptions

Field	Description
31–16 Reserved	This field is reserved. This read-only field is reserved and always has the value 0.
15–0 OFS	Offset Error Correction Value

28.3.9 ADC Plus-Side Gain Register (ADCx_PG)

The Plus-Side Gain Register (PG) contains the gain error correction for the plus-side input in differential mode or the overall conversion in single-ended mode. PG, a 16-bit real number in binary format, is the gain adjustment factor, with the radix point fixed between ADPG15 and ADPG14. This register must be written by the user with the value described in the calibration procedure. Otherwise, the gain error specifications may not be met.

Address: 4003_B000h base + 2Ch offset = 4003_B02Ch



ADCx_PG field descriptions

Field	Description
31–16 Reserved	This field is reserved. This read-only field is reserved and always has the value 0.
15–0 PG	Plus-Side Gain

28.3.10 ADC Minus-Side Gain Register (ADCx_MG)

The Minus-Side Gain Register (MG) contains the gain error correction for the minus-side input in differential mode. This register is ignored in single-ended mode. MG, a 16-bit real number in binary format, is the gain adjustment factor, with the radix point fixed between ADMG15 and ADMG14. This register must be written by the user with the value described in the calibration procedure. Otherwise, the gain error specifications may not be met.

Address: 4003_B000h base + 30h offset = 4003_B030h

Bit	31	30	29	28	27	26	25	24	23	22	21	20	19	18	17	16	15	14	13	12	11	10	9	8	7	6	5	4	3	2	1	0
R	0																MG															
W	0																0															
Reset	0	0	0	0	0	0	0	0	0	0	0	0	0	0	0	0	1	0	0	0	0	0	1	0	0	0	0	0	0	0	0	0

ADCx_MG field descriptions

Field	Description
31–16 Reserved	This field is reserved. This read-only field is reserved and always has the value 0.
15–0 MG	Minus-Side Gain

28.3.11 ADC Plus-Side General Calibration Value Register (ADCx_CLPD)

The Plus-Side General Calibration Value Registers (CLPx) contain calibration information that is generated by the calibration function. These registers contain seven calibration values of varying widths: CLP0[5:0], CLP1[6:0], CLP2[7:0], CLP3[8:0], CLP4[9:0], CLPS[5:0], and CLPD[5:0]. CLPx are automatically set when the self-calibration sequence is done, that is, CAL is cleared. If these registers are written by the user after calibration, the linearity error specifications may not be met.

Memory map and register definitions

Address: 4003_B000h base + 34h offset = 4003_B034h

Bit	31	30	29	28	27	26	25	24	23	22	21	20	19	18	17	16	15	14	13	12	11	10	9	8	7	6	5	4	3	2	1	0
R	0																CLPD															
W																																
Reset	0	0	0	0	0	0	0	0	0	0	0	0	0	0	0	0	0	0	0	0	0	0	0	0	0	0	0	0	1	0	1	0

ADCx_CLPD field descriptions

Field	Description
31–6 Reserved	This field is reserved. This read-only field is reserved and always has the value 0.
5–0 CLPD	Calibration Value

28.3.12 ADC Plus-Side General Calibration Value Register (ADCx_CLPS)

For more information, see CLPD register description.

Address: 4003_B000h base + 38h offset = 4003_B038h

Bit	31	30	29	28	27	26	25	24	23	22	21	20	19	18	17	16	15	14	13	12	11	10	9	8	7	6	5	4	3	2	1	0
R	0																CLPS															
W																																
Reset	0	0	0	0	0	0	0	0	0	0	0	0	0	0	0	0	0	0	0	0	0	0	0	0	0	0	1	0	0	0	0	0

ADCx_CLPS field descriptions

Field	Description
31–6 Reserved	This field is reserved. This read-only field is reserved and always has the value 0.
5–0 CLPS	Calibration Value

28.3.13 ADC Plus-Side General Calibration Value Register (ADCx_CLP4)

For more information, see CLPD register description.

Address: 4003_B000h base + 3Ch offset = 4003_B03Ch

Bit	31	30	29	28	27	26	25	24	23	22	21	20	19	18	17	16	15	14	13	12	11	10	9	8	7	6	5	4	3	2	1	0
R	0																CLP4															
W																																
Reset	0	0	0	0	0	0	0	0	0	0	0	0	0	0	0	0	0	0	0	0	0	0	0	1	0	0	0	0	0	0	0	0

ADCx_CLP4 field descriptions

Field	Description
31–10 Reserved	This field is reserved. This read-only field is reserved and always has the value 0.
9–0 CLP4	Calibration Value

28.3.14 ADC Plus-Side General Calibration Value Register (ADCx_CLP3)

For more information, see CLPD register description.

Address: 4003_B000h base + 40h offset = 4003_B040h

Bit	31	30	29	28	27	26	25	24	23	22	21	20	19	18	17	16	15	14	13	12	11	10	9	8	7	6	5	4	3	2	1	0	
R	0																																
W																	CLP3																
Reset	0	0	0	0	0	0	0	0	0	0	0	0	0	0	0	0	0	0	0	0	0	0	0	0	1	0	0	0	0	0	0	0	0

ADCx_CLP3 field descriptions

Field	Description
31–9 Reserved	This field is reserved. This read-only field is reserved and always has the value 0.
8–0 CLP3	Calibration Value

28.3.15 ADC Plus-Side General Calibration Value Register (ADCx_CLP2)

For more information, see CLPD register description.

Address: 4003_B000h base + 44h offset = 4003_B044h

Bit	31	30	29	28	27	26	25	24	23	22	21	20	19	18	17	16	15	14	13	12	11	10	9	8	7	6	5	4	3	2	1	0	
R	0																																
W																	CLP2																
Reset	0	0	0	0	0	0	0	0	0	0	0	0	0	0	0	0	0	0	0	0	0	0	0	0	1	0	0	0	0	0	0	0	0

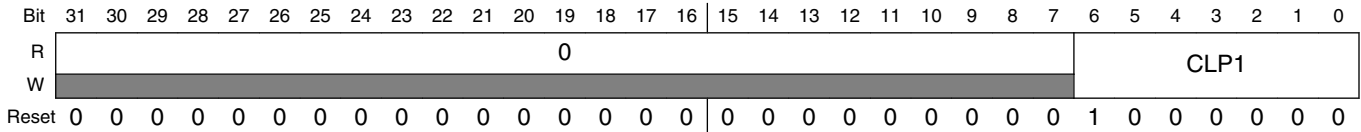
ADCx_CLP2 field descriptions

Field	Description
31–8 Reserved	This field is reserved. This read-only field is reserved and always has the value 0.
7–0 CLP2	Calibration Value

28.3.16 ADC Plus-Side General Calibration Value Register (ADCx_CLP1)

For more information, see CLPD register description.

Address: 4003_B000h base + 48h offset = 4003_B048h



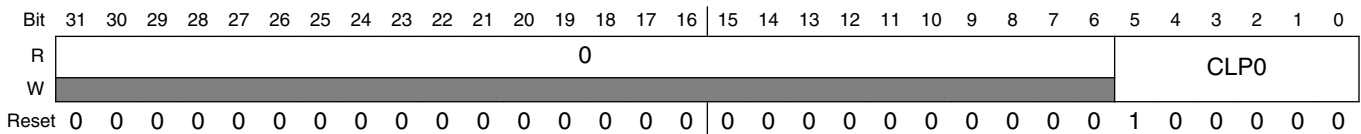
ADCx_CLP1 field descriptions

Field	Description
31–7 Reserved	This field is reserved. This read-only field is reserved and always has the value 0.
6–0 CLP1	Calibration Value

28.3.17 ADC Plus-Side General Calibration Value Register (ADCx_CLP0)

For more information, see CLPD register description.

Address: 4003_B000h base + 4Ch offset = 4003_B04Ch



ADCx_CLP0 field descriptions

Field	Description
31–6 Reserved	This field is reserved. This read-only field is reserved and always has the value 0.
5–0 CLP0	Calibration Value

28.3.18 ADC Minus-Side General Calibration Value Register (ADCx_CLMD)

The Minus-Side General Calibration Value (CLMx) registers contain calibration information that is generated by the calibration function. These registers contain seven calibration values of varying widths: CLM0[5:0], CLM1[6:0], CLM2[7:0], CLM3[8:0], CLM4[9:0], CLMS[5:0], and CLMD[5:0]. CLMx are automatically set when the self-calibration sequence is done, that is, CAL is cleared. If these registers are written by the user after calibration, the linearity error specifications may not be met.

Address: 4003_B000h base + 54h offset = 4003_B054h

Bit	31	30	29	28	27	26	25	24	23	22	21	20	19	18	17	16	15	14	13	12	11	10	9	8	7	6	5	4	3	2	1	0
R	0																CLMD															
W																																
Reset	0	0	0	0	0	0	0	0	0	0	0	0	0	0	0	0	0	0	0	0	0	0	0	0	0	0	0	0	1	0	1	0

ADCx_CLMD field descriptions

Field	Description
31–6 Reserved	This field is reserved. This read-only field is reserved and always has the value 0.
5–0 CLMD	Calibration Value

28.3.19 ADC Minus-Side General Calibration Value Register (ADCx_CLMS)

For more information, see CLMD register description.

Address: 4003_B000h base + 58h offset = 4003_B058h

Bit	31	30	29	28	27	26	25	24	23	22	21	20	19	18	17	16	15	14	13	12	11	10	9	8	7	6	5	4	3	2	1	0
R	0																CLMS															
W																																
Reset	0	0	0	0	0	0	0	0	0	0	0	0	0	0	0	0	0	0	0	0	0	0	0	0	0	0	1	0	0	0	0	0

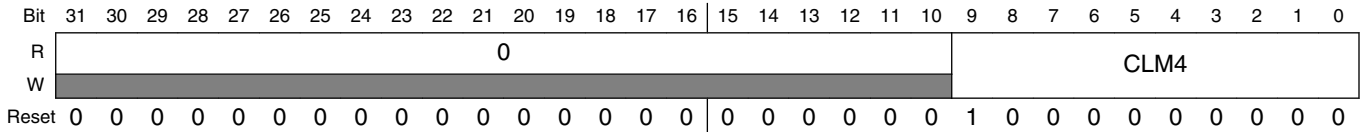
ADCx_CLMS field descriptions

Field	Description
31–6 Reserved	This field is reserved. This read-only field is reserved and always has the value 0.
5–0 CLMS	Calibration Value

28.3.20 ADC Minus-Side General Calibration Value Register (ADCx_CLM4)

For more information, see CLMD register description.

Address: 4003_B000h base + 5Ch offset = 4003_B05Ch



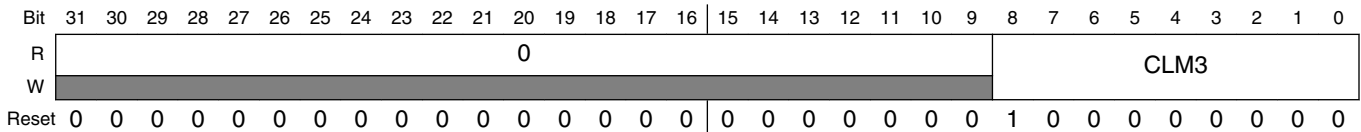
ADCx_CLM4 field descriptions

Field	Description
31–10 Reserved	This field is reserved. This read-only field is reserved and always has the value 0.
9–0 CLM4	Calibration Value

28.3.21 ADC Minus-Side General Calibration Value Register (ADCx_CLM3)

For more information, see CLMD register description.

Address: 4003_B000h base + 60h offset = 4003_B060h



ADCx_CLM3 field descriptions

Field	Description
31–9 Reserved	This field is reserved. This read-only field is reserved and always has the value 0.
8–0 CLM3	Calibration Value

28.3.22 ADC Minus-Side General Calibration Value Register (ADCx_CLM2)

For more information, see CLMD register description.

Address: 4003_B000h base + 64h offset = 4003_B064h

Bit	31	30	29	28	27	26	25	24	23	22	21	20	19	18	17	16	15	14	13	12	11	10	9	8	7	6	5	4	3	2	1	0	
R	0														CLM2																		
W																																	
Reset	0	0	0	0	0	0	0	0	0	0	0	0	0	0	0	0	0	0	0	0	0	0	0	0	0	1	0	0	0	0	0	0	0

ADCx_CLM2 field descriptions

Field	Description
31–8 Reserved	This field is reserved. This read-only field is reserved and always has the value 0.
7–0 CLM2	Calibration Value

28.3.23 ADC Minus-Side General Calibration Value Register (ADCx_CLM1)

For more information, see CLMD register description.

Address: 4003_B000h base + 68h offset = 4003_B068h

Bit	31	30	29	28	27	26	25	24	23	22	21	20	19	18	17	16	15	14	13	12	11	10	9	8	7	6	5	4	3	2	1	0	
R	0														CLM1																		
W																																	
Reset	0	0	0	0	0	0	0	0	0	0	0	0	0	0	0	0	0	0	0	0	0	0	0	0	0	1	0	0	0	0	0	0	0

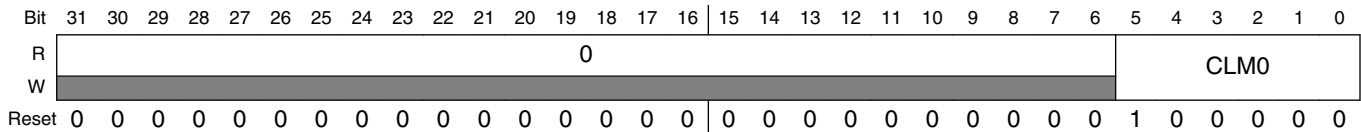
ADCx_CLM1 field descriptions

Field	Description
31–7 Reserved	This field is reserved. This read-only field is reserved and always has the value 0.
6–0 CLM1	Calibration Value

28.3.24 ADC Minus-Side General Calibration Value Register (ADCx_CLM0)

For more information, see CLMD register description.

Address: 4003_B000h base + 6Ch offset = 4003_B06Ch



ADCx_CLM0 field descriptions

Field	Description
31–6 Reserved	This field is reserved. This read-only field is reserved and always has the value 0.
5–0 CLM0	Calibration Value

28.4 Functional description

The ADC module is disabled during reset, in Low-Power Stop mode, or when SC1n[ADCH] are all high; see the power management information for details. The module is idle when a conversion has completed and another conversion has not been initiated. When it is idle and the asynchronous clock output enable is disabled, or CFG2[ADACKEN]= 0, the module is in its lowest power state. The ADC can perform an analog-to-digital conversion on any of the software selectable channels. All modes perform conversion by a successive approximation algorithm.

To meet accuracy specifications, the ADC module must be calibrated using the on-chip calibration function. See [Calibration function](#) for details on how to perform calibration.

When the conversion is completed, the result is placed in the Rn data registers. The respective SC1n[COCO] is then set and an interrupt is generated if the respective conversion complete interrupt has been enabled, or, when SC1n[AIEN]=1.

The ADC module has the capability of automatically comparing the result of a conversion with the contents of the CV1 and CV2 registers. The compare function is enabled by setting SC2[ACFE] and operates in any of the conversion modes and configurations.

The ADC module has the capability of automatically averaging the result of multiple conversions. The hardware average function is enabled by setting SC3[AVGE] and operates in any of the conversion modes and configurations.

NOTE

For the chip specific modes of operation, see the power management information of this MCU.

28.4.1 Clock select and divide control

One of four clock sources can be selected as the clock source for the ADC module. This clock source is then divided by a configurable value to generate the input clock ADCK, to the module. The clock is selected from one of the following sources by means of CFG1[ADICLK].

- Bus clock. This is the default selection following reset.
- Bus clock divided by two. For higher bus clock rates, this allows a maximum divide-by-16 of the bus clock using CFG1[ADIV].
- ALTCLK: As defined for this MCU. See the chip configuration information.
- Asynchronous clock (ADACK): This clock is generated from a clock source within the ADC module. When the ADACK clock source is selected, it is not required to be active prior to conversion start. When it is selected and it is not active prior to a conversion start CFG2[ADACKEN]=0, ADACK is activated at the start of a conversion and deactivated when conversions are terminated. In this case, there is an associated clock startup delay each time the clock source is re-activated. To avoid the conversion time variability and latency associated with the ADACK clock startup, set CFG2[ADACKEN]=1 and wait the worst-case startup time of 5 μ s prior to initiating any conversions using the ADACK clock source. Conversions are possible using ADACK as the input clock source while the MCU is in Normal Stop mode. See [Power Control](#) for more information.

Whichever clock is selected, its frequency must fall within the specified frequency range for ADCK. If the available clocks are too slow, the ADC may not perform according to specifications. If the available clocks are too fast, the clock must be divided to the appropriate frequency. This divider is specified by CFG1[ADIV] and can be divide-by 1, 2, 4, or 8.

28.4.2 Voltage reference selection

The ADC can be configured to accept one of the two voltage reference pairs as the reference voltage (V_{REFSH} and V_{REFSL}) used for conversions. Each pair contains a positive reference that must be between the minimum Ref Voltage High and V_{DDA} , and a ground reference that must be at the same potential as V_{SSA} . The two pairs are external (V_{REFH} and V_{REFL}) and alternate (V_{ALTH} and V_{ALTL}). These voltage references are selected using $SC2[REFSEL]$. The alternate (V_{ALTH} and V_{ALTL}) voltage reference pair may select additional external pins or internal sources depending on MCU configuration. See the chip configuration information on the voltage references specific to this MCU.

28.4.3 Hardware trigger and channel selects

The ADC module has a selectable asynchronous hardware conversion trigger, ADHWT, that is enabled when $SC2[ADTRG]$ is set and a hardware trigger select event, $ADHWTSn$, has occurred. This source is not available on all MCUs. See the Chip Configuration chapter for information on the ADHWT source and the $ADHWTSn$ configurations specific to this MCU.

When an ADHWT source is available and hardware trigger is enabled, that is $SC2[ADTRG]=1$, a conversion is initiated on the rising-edge of ADHWT after a hardware trigger select event, that is, $ADHWTSn$, has occurred. If a conversion is in progress when a rising-edge of a trigger occurs, the rising-edge is ignored. In continuous convert configuration, only the initial rising-edge to launch continuous conversions is observed, and until conversion is aborted, the ADC continues to do conversions on the same SCn register that initiated the conversion. The hardware trigger function operates in conjunction with any of the conversion modes and configurations.

The hardware trigger select event, $ADHWTSn$, must be set prior to the receipt of the ADHWT signal. If these conditions are not met, the converter may ignore the trigger or use the incorrect configuration. If a hardware trigger select event is asserted during a conversion, it must stay asserted until the end of current conversion and remain set until the receipt of the ADHWT signal to trigger a new conversion. The channel and status fields selected for the conversion depend on the active trigger select signal:

- $ADHWTS_A$ active selects $SC1_A$.
- $ADHWTS_n$ active selects $SC1_n$.

Note

Asserting more than one hardware trigger select signal ($ADHWTSn$) at the same time results in unknown results. To avoid this, select only one hardware trigger select signal ($ADHWTSn$) prior to the next intended conversion.

When the conversion is completed, the result is placed in the Rn registers associated with the ADHWTSn received. For example:

- ADHWTSa active selects RA register
- ADHWTSn active selects Rn register

The conversion complete flag associated with the ADHWTSn received, that is, SC1n[COCO], is then set and an interrupt is generated if the respective conversion complete interrupt has been enabled, that is, SC1[AIEN]=1.

28.4.4 Conversion control

Conversions can be performed as determined by CFG1[MODE] and SC1n[DIFF] as shown in the description of CFG1[MODE].

Conversions can be initiated by a software or hardware trigger. In addition, the ADC module can be configured for:

- Low-power operation
- Long sample time
- Continuous conversion
- Hardware average
- Automatic compare of the conversion result to a software determined compare value

28.4.4.1 Initiating conversions

A conversion is initiated:

- Following a write to SC1A, with SC1n[ADCH] not all 1's, if software triggered operation is selected, that is, when SC2[ADTRG]=0.
- Following a hardware trigger, or ADHWT event, if hardware triggered operation is selected, that is, SC2[ADTRG]=1, and a hardware trigger select event, ADHWTSn, has occurred. The channel and status fields selected depend on the active trigger select signal:
 - ADHWTSa active selects SC1A.
 - ADHWTSn active selects SC1n.
 - if neither is active, the off condition is selected

Note

Selecting more than one ADHWTSn prior to a conversion completion will result in unknown results. To avoid this, select only one ADHWTSn prior to a conversion completion.

- Following the transfer of the result to the data registers when continuous conversion is enabled, that is, when $SC3[ADCO] = 1$.

If continuous conversions are enabled, a new conversion is automatically initiated after the completion of the current conversion. In software triggered operation, that is, when $SC2[ADTRG] = 0$, continuous conversions begin after $SC1A$ is written and continue until aborted. In hardware triggered operation, that is, when $SC2[ADTRG] = 1$ and one ADHWTSn event has occurred, continuous conversions begin after a hardware trigger event and continue until aborted.

If hardware averaging is enabled, a new conversion is automatically initiated after the completion of the current conversion until the correct number of conversions are completed. In software triggered operation, conversions begin after $SC1A$ is written. In hardware triggered operation, conversions begin after a hardware trigger. If continuous conversions are also enabled, a new set of conversions to be averaged are initiated following the last of the selected number of conversions.

28.4.4.2 Completing conversions

A conversion is completed when the result of the conversion is transferred into the data result registers, Rn . If the compare functions are disabled, this is indicated by setting of $SC1n[COCO]$. If hardware averaging is enabled, the respective $SC1n[COCO]$ sets only if the last of the selected number of conversions is completed. If the compare function is enabled, the respective $SC1n[COCO]$ sets and conversion result data is transferred only if the compare condition is true. If both hardware averaging and compare functions are enabled, then the respective $SC1n[COCO]$ sets only if the last of the selected number of conversions is completed and the compare condition is true. An interrupt is generated if the respective $SC1n[AIEN]$ is high at the time that the respective $SC1n[COCO]$ is set.

28.4.4.3 Aborting conversions

Any conversion in progress is aborted when:

- Writing to SC1A while it is actively controlling a conversion, aborts the current conversion. In Software Trigger mode, when SC2[ADTRG]=0, a write to SC1A initiates a new conversion if SC1A[ADCH] is equal to a value other than all 1s. Writing to any of the SC1B–SC1n registers while that specific SC1B–SC1n register is actively controlling a conversion aborts the current conversion. The SC1(B-n) registers are not used for software trigger operation and therefore writes to the SC1(B-n) registers do not initiate a new conversion.
- A write to any ADC register besides the SC1A-SC1n registers occurs. This indicates that a change in mode of operation has occurred and the current conversion is therefore invalid.
- The MCU is reset or enters Low-Power Stop modes.
- The MCU enters Normal Stop mode with ADACK not enabled.

When a conversion is aborted, the contents of the data registers, Rn, are not altered. The data registers continue to be the values transferred after the completion of the last successful conversion. If the conversion was aborted by a reset or Low-Power Stop modes, RA and Rn return to their reset states.

28.4.4.4 Power control

The ADC module remains in its idle state until a conversion is initiated. If ADACK is selected as the conversion clock source, but the asynchronous clock output is disabled, that is CFG2[ADACKEN]=0, the ADACK clock generator also remains in its idle state (disabled) until a conversion is initiated. If the asynchronous clock output is enabled, that is, CFG2[ADACKEN]=1, it remains active regardless of the state of the ADC or the MCU power mode.

Power consumption when the ADC is active can be reduced by setting CFG1[ADLPC]. This results in a lower maximum value for f_{ADCK} .

28.4.4.5 Sample time and total conversion time

For short sample, that is, when CFG1[ADLSMP]=0, there is a 2-cycle adder for first conversion over the base sample time of four ADCK cycles. For high-speed conversions, that is, when CFG2[ADHSC]=1, there is an additional 2-cycle adder on any conversion. The table below summarizes sample times for the possible ADC configurations.

Functional description

ADC configuration			Sample time (ADCK cycles)	
CFG1[ADLSMP]	CFG2[ADLSTS]	CFG2[ADHSC]	First or Single	Subsequent
0	X	0	6	4
1	00	0	24	
1	01	0	16	
1	10	0	10	
1	11	0	6	
0	X	1	8	6
1	00	1	26	
1	01	1	18	
1	10	1	12	
1	11	1	8	

The total conversion time depends upon:

- The sample time as determined by CFG1[ADLSMP] and CFG2[ADLSTS]
- The MCU bus frequency
- The conversion mode, as determined by CFG1[MODE] and SC1n[DIFF]
- The high-speed configuration, that is, CFG2[ADHSC]
- The frequency of the conversion clock, that is, f_{ADCK} .

CFG2[ADHSC] is used to configure a higher clock input frequency. This will allow faster overall conversion times. To meet internal ADC timing requirements, CFG2[ADHSC] adds additional ADCK cycles. Conversions with CFG2[ADHSC]=1 take two more ADCK cycles. CFG2[ADHSC] must be used when the ADCLK exceeds the limit for CFG2[ADHSC]=0.

After the module becomes active, sampling of the input begins.

1. CFG1[ADLSMP] and CFG2[ADLSTS] select between sample times based on the conversion mode that is selected.
2. When sampling is completed, the converter is isolated from the input channel and a successive approximation algorithm is applied to determine the digital value of the analog signal.
3. The result of the conversion is transferred to Rn upon completion of the conversion algorithm.

If the bus frequency is less than f_{ADCK} , precise sample time for continuous conversions cannot be guaranteed when short sample is enabled, that is, when CFG1[ADLSMP]=0.

The maximum total conversion time is determined by the clock source chosen and the divide ratio selected. The clock source is selectable by CFG1[ADICLK], and the divide ratio is specified by CFG1[ADIV].

The maximum total conversion time for all configurations is summarized in the equation below. See the following tables for the variables referenced in the equation.

$$\text{ConversionTime} = \text{SFCAdder} + \text{AverageNum} \times (\text{BCT} + \text{LSTAdder} + \text{HSCAdder})$$

Figure 28-62. Conversion time equation

Table 28-70. Single or first continuous time adder (SFCAdder)

CFG1[ADLSMP]	CFG2[ADACKEN]	CFG1[ADICLK]	Single or first continuous time adder (SFCAdder)
1	x	0x, 10	3 ADCK cycles + 5 bus clock cycles
1	1	11	3 ADCK cycles + 5 bus clock cycles ¹
1	0	11	5 μ s + 3 ADCK cycles + 5 bus clock cycles
0	x	0x, 10	5 ADCK cycles + 5 bus clock cycles
0	1	11	5 ADCK cycles + 5 bus clock cycles ¹
0	0	11	5 μ s + 5 ADCK cycles + 5 bus clock cycles

1. To achieve this time, CFG2[ADACKEN] must be 1 for at least 5 μ s prior to the conversion is initiated.

Table 28-71. Average number factor (AverageNum)

SC3[AVGE]	SC3[AVGS]	Average number factor (AverageNum)
0	xx	1
1	00	4
1	01	8
1	10	16
1	11	32

Table 28-72. Base conversion time (BCT)

Mode	Base conversion time (BCT)
8b single-ended	17 ADCK cycles
9b differential	27 ADCK cycles
10b single-ended	20 ADCK cycles
11b differential	30 ADCK cycles
12b single-ended	20 ADCK cycles
13b differential	30 ADCK cycles
16b single-ended	25 ADCK cycles
16b differential	34 ADCK cycles

Table 28-73. Long sample time adder (LSTAdder)

CFG1[ADLSMP]	CFG2[ADLSTS]	Long sample time adder (LSTAdder)
0	xx	0 ADCK cycles
1	00	20 ADCK cycles
1	01	12 ADCK cycles
1	10	6 ADCK cycles
1	11	2 ADCK cycles

Table 28-74. High-speed conversion time adder (HSCAdder)

CFG2[ADHSC]	High-speed conversion time adder (HSCAdder)
0	0 ADCK cycles
1	2 ADCK cycles

Note

The ADCK frequency must be between f_{ADCK} minimum and f_{ADCK} maximum to meet ADC specifications.

28.4.4.6 Conversion time examples

The following examples use the [Figure 28-62](#), and the information provided in [Table 28-70](#) through [Table 28-74](#).

28.4.4.6.1 Typical conversion time configuration

A typical configuration for ADC conversion is:

- 10-bit mode, with the bus clock selected as the input clock source
- The input clock divide-by-1 ratio selected
- Bus frequency of 8 MHz
- Long sample time disabled
- High-speed conversion disabled

The conversion time for a single conversion is calculated by using the [Figure 28-62](#), and the information provided in [Table 28-70](#) through [Table 28-74](#). The table below lists the variables of [Figure 28-62](#).

Table 28-75. Typical conversion time

Variable	Time
SFCAdder	5 ADCK cycles + 5 bus clock cycles

Table continues on the next page...

Table 28-75. Typical conversion time (continued)

Variable	Time
AverageNum	1
BCT	20 ADCK cycles
LSTAdder	0
HSCAdder	0

The resulting conversion time is generated using the parameters listed in the preceding table. Therefore, for a bus clock and an ADCK frequency equal to 8 MHz, the resulting conversion time is 3.75 μ s.

28.4.4.6.2 Long conversion time configuration

A configuration for long ADC conversion is:

- 16-bit differential mode with the bus clock selected as the input clock source
- The input clock divide-by-8 ratio selected
- Bus frequency of 8 MHz
- Long sample time enabled
- Configured for longest adder
- High-speed conversion disabled
- Average enabled for 32 conversions

The conversion time for this conversion is calculated by using the [Figure 28-62](#), and the information provided in [Table 28-70](#) through [Table 28-74](#). The following table lists the variables of the [Figure 28-62](#).

Table 28-76. Typical conversion time

Variable	Time
SFCAdder	3 ADCK cycles + 5 bus clock cycles
AverageNum	32
BCT	34 ADCK cycles
LSTAdder	20 ADCK cycles
HSCAdder	0

The resulting conversion time is generated using the parameters listed in the preceding table. Therefore, for bus clock equal to 8 MHz and ADCK equal to 1 MHz, the resulting conversion time is 57.625 μ s, that is, AverageNum. This results in a total conversion time of 1.844 ms.

28.4.4.6.3 Short conversion time configuration

A configuration for short ADC conversion is:

Functional description

- 8-bit Single-Ended mode with the bus clock selected as the input clock source
- The input clock divide-by-1 ratio selected
- Bus frequency of 20 MHz
- Long sample time disabled
- High-speed conversion enabled

The conversion time for this conversion is calculated by using the [Figure 28-62](#), and the information provided in [Table 28-70](#) through [Table 28-74](#). The table below lists the variables of [Figure 28-62](#).

Table 28-77. Typical conversion time

Variable	Time
SFCAdder	5 ADCK cycles + 5 bus clock cycles
AverageNum	1
BCT	17 ADCK cycles
LSTAdder	0 ADCK cycles
HSCAdder	2

The resulting conversion time is generated using the parameters listed in the preceding table. Therefore, for bus clock and ADCK frequency equal to 20 MHz, the resulting conversion time is 1.45 μ s.

28.4.4.7 Hardware average function

The hardware average function can be enabled by setting SC3[AVGE]=1 to perform a hardware average of multiple conversions. The number of conversions is determined by the AVGS[1:0] bits, which can select 4, 8, 16, or 32 conversions to be averaged. While the hardware average function is in progress, SC2[ADACT] will be set.

After the selected input is sampled and converted, the result is placed in an accumulator from which an average is calculated once the selected number of conversions have been completed. When hardware averaging is selected, the completion of a single conversion will not set SC1n[COCO].

If the compare function is either disabled or evaluates true, after the selected number of conversions are completed, the average conversion result is transferred into the data result registers, Rn, and SC1n[COCO] is set. An ADC interrupt is generated upon the setting of SC1n[COCO] if the respective ADC interrupt is enabled, that is, SC1n[AIEN]=1.

Note

The hardware average function can perform conversions on a channel while the MCU is in Wait or Normal Stop modes. The ADC interrupt wakes the MCU when the hardware average is completed if SC1n[AIEN] is set.

28.4.5 Automatic compare function

The compare function can be configured to check whether the result is less than or greater-than-or-equal-to a single compare value, or, if the result falls within or outside a range determined by two compare values. The compare mode is determined by SC2[ACFGT], SC2[ACREN], and the values in the compare value registers, CV1 and CV2. After the input is sampled and converted, the compare values in CV1 and CV2 are used as described in the following table. There are six Compare modes as shown in the following table.

Table 28-78. Compare modes

SC2[ACFGT]	SC2[ACREN]	ADCCV1 relative to ADCCV2	Function	Compare mode description
0	0	—	Less than threshold	Compare true if the result is less than the CV1 registers.
1	0	—	Greater than or equal to threshold	Compare true if the result is greater than or equal to CV1 registers.
0	1	Less than or equal	Outside range, not inclusive	Compare true if the result is less than CV1 Or the result is greater than CV2.
0	1	Greater than	Inside range, not inclusive	Compare true if the result is less than CV1 And the result is greater than CV2.
1	1	Less than or equal	Inside range, inclusive	Compare true if the result is greater than or equal to CV1 And the result is less than or equal to CV2.
1	1	Greater than	Outside range, inclusive	Compare true if the result is greater than or equal to CV1 Or the result is less than or equal to CV2.

With SC2[ACREN] =1, and if the value of CV1 is less than or equal to the value of CV2, then setting SC2[ACFGT] will select a trigger-if-inside-compare-range inclusive-of-endpoints function. Clearing SC2[ACFGT] will select a trigger-if-outside-compare-range, not-inclusive-of-endpoints function.

If CV1 is greater than CV2, setting SC2[ACFGT] will select a trigger-if-outside-compare-range, inclusive-of-endpoints function. Clearing SC2[ACFGT] will select a trigger-if-inside-compare-range, not-inclusive-of-endpoints function.

If the condition selected evaluates true, SC1n[COCO] is set.

Upon completion of a conversion while the compare function is enabled, if the compare condition is not true, SC1n[COCO] is not set and the conversion result data will not be transferred to the result register, Rn. If the hardware averaging function is enabled, the compare function compares the averaged result to the compare values. The same compare function definitions apply. An ADC interrupt is generated when SC1n[COCO] is set and the respective ADC interrupt is enabled, that is, SC1n[AIEN]=1.

Note

The compare function can monitor the voltage on a channel while the MCU is in Wait or Normal Stop modes. The ADC interrupt wakes the MCU when the compare condition is met.

28.4.6 Calibration function

The ADC contains a self-calibration function that is required to achieve the specified accuracy. Calibration must be run, or valid calibration values written, after any reset and before a conversion is initiated. The calibration function sets the offset calibration value, the minus-side calibration values, and the plus-side calibration values. The offset calibration value is automatically stored in the ADC offset correction register (OFS), and the plus-side and minus-side calibration values are automatically stored in the ADC plus-side and minus-side calibration registers, CLPx and CLMx. The user must configure the ADC correctly prior to calibration, and must generate the plus-side and minus-side gain calibration results and store them in the ADC plus-side gain register (PG) after the calibration function completes.

Prior to calibration, the user must configure the ADC's clock source and frequency, low power configuration, voltage reference selection, sample time, and high speed configuration according to the application's clock source availability and needs. If the application uses the ADC in a wide variety of configurations, the configuration for which the highest accuracy is required should be selected, or multiple calibrations can be done for the different configurations. For best calibration results:

- Set hardware averaging to maximum, that is, SC3[AVGE]=1 and SC3[AVGS]=11 for an average of 32
- Set ADC clock frequency f_{ADCK} less than or equal to 4 MHz
- $V_{REFH}=V_{DDA}$
- Calibrate at nominal voltage and temperature

The input channel, conversion mode continuous function, compare function, resolution mode, and differential/single-ended mode are all ignored during the calibration function.

To initiate calibration, the user sets SC3[*CAL*] and the calibration will automatically begin if the SC2[*ADTRG*] is 0. If SC2[*ADTRG*] is 1, SC3[*CAL*] will not get set and SC3[*CALF*] will be set. While calibration is active, no ADC register can be written and no stop mode may be entered, or the calibration routine will be aborted causing SC3[*CAL*] to clear and SC3[*CALF*] to set. At the end of a calibration sequence, SC1n[*COCO*] will be set. SC1n[*AIEN*] can be used to allow an interrupt to occur at the end of a calibration sequence. At the end of the calibration routine, if SC3[*CALF*] is not set, the automatic calibration routine is completed successfully.

To complete calibration, the user must generate the gain calibration values using the following procedure:

1. Initialize or clear a 16-bit variable in RAM.
2. Add the plus-side calibration results CLP0, CLP1, CLP2, CLP3, CLP4, and CLPS to the variable.
3. Divide the variable by two.
4. Set the MSB of the variable.
5. The previous two steps can be achieved by setting the carry bit, rotating to the right through the carry bit on the high byte and again on the low byte.
6. Store the value in the plus-side gain calibration register PG.
7. Repeat the procedure for the minus-side gain calibration value.

When calibration is complete, the user may reconfigure and use the ADC as desired. A second calibration may also be performed, if desired, by clearing and again setting SC3[*CAL*].

Overall, the calibration routine may take as many as 14k ADCK cycles and 100 bus cycles, depending on the results and the clock source chosen. For an 8 MHz clock source, this length amounts to about 1.7 ms. To reduce this latency, the calibration values, which are offset, plus-side and minus-side gain, and plus-side and minus-side calibration values, may be stored in flash memory after an initial calibration and recovered prior to the first ADC conversion. This method can reduce the calibration latency to 20 register store operations on all subsequent power, reset, or Low-Power Stop mode recoveries.

28.4.7 User-defined offset function

OFS contains the user-selected or calibration-generated offset error correction value. This register is a 2's complement, left-justified. The value in OFS is subtracted from the conversion and the result is transferred into the result registers, Rn. If the result is greater than the maximum or less than the minimum result value, it is forced to the appropriate limit for the current mode of operation.

The formatting of the OFS is different from the data result register, Rn, to preserve the resolution of the calibration value regardless of the conversion mode selected. Lower order bits are ignored in lower resolution modes. For example, in 8-bit single-ended mode, OFS[14:7] are subtracted from D[7:0]; OFS[15] indicates the sign (negative numbers are effectively added to the result) and OFS[6:0] are ignored. The same bits are used in 9-bit differential mode because OFS[15] indicates the sign bit, which maps to D[8]. For 16-bit differential mode, OFS[15:0] are directly subtracted from the conversion result data D[15:0]. In 16-bit single-ended mode, there is no field in the OFS corresponding to the least significant result D[0], so odd values, such as -1 or +1, cannot be subtracted from the result.

OFS is automatically set according to calibration requirements once the self-calibration sequence is done, that is, SC3[CAL] is cleared. The user may write to OFS to override the calibration result if desired. If the OFS is written by the user to a value that is different from the calibration value, the ADC error specifications may not be met. Storing the value generated by the calibration function in memory before overwriting with a user-specified value is recommended.

Note

There is an effective limit to the values of offset that can be set by the user. If the magnitude of the offset is too high, the results of the conversions will cap off at the limits.

The offset calibration function may be employed by the user to remove application offsets or DC bias values. OFS may be written with a number in 2's complement format and this offset will be subtracted from the result, or hardware averaged value. To add an offset, store the negative offset in 2's complement format and the effect will be an addition. An offset correction that results in an out-of-range value will be forced to the minimum or maximum value. The minimum value for single-ended conversions is 0x0000; for a differential conversion it is 0x8000.

To preserve accuracy, the calibrated offset value initially stored in OFS must be added to the user-defined offset. For applications that may change the offset repeatedly during operation, store the initial offset calibration value in flash so it can be recovered and added to any user offset adjustment value and the sum stored in OFS.

28.4.8 Temperature sensor

The ADC module includes a temperature sensor whose output is connected to one of the ADC analog channel inputs. The following equation provides an approximate transfer function of the temperature sensor.

$$\text{Temp} = 25 - \left(\left(V_{\text{TEMP}} - V_{\text{TEMP25}} \right) \div m \right)$$

Figure 28-63. Approximate transfer function of the temperature sensor

where:

- V_{TEMP} is the voltage of the temperature sensor channel at the ambient temperature.
- V_{TEMP25} is the voltage of the temperature sensor channel at 25 °C.
- m is referred as temperature sensor slope in the device data sheet. It is the hot or cold voltage versus temperature slope in V/°C.

For temperature calculations, use the V_{TEMP25} and temperature sensor slope values from the ADC Electricals table.

In application code, the user reads the temperature sensor channel, calculates V_{TEMP} , and compares to V_{TEMP25} . If V_{TEMP} is greater than V_{TEMP25} the cold slope value is applied in the preceding equation. If V_{TEMP} is less than V_{TEMP25} , the hot slope value is applied in the preceding equation. ADC Electricals table may only specify one temperature sensor slope value. In that case, the user could use the same slope for the calculation across the operational temperature range.

For more information on using the temperature sensor, see the application note titled *Temperature Sensor for the HCS08 Microcontroller Family* (document AN3031).

28.4.9 MCU wait mode operation

Wait mode is a lower-power consumption Standby mode from which recovery is fast because the clock sources remain active. If a conversion is in progress when the MCU enters Wait mode, it continues until completion. Conversions can be initiated while the MCU is in Wait mode by means of the hardware trigger or if continuous conversions are enabled.

The bus clock, bus clock divided by two, and ADACK are available as conversion clock sources while in Wait mode. The use of ALTCLK as the conversion clock source in Wait is dependent on the definition of ALTCLK for this MCU. See the Chip Configuration information on ALTCLK specific to this MCU.

If the compare and hardware averaging functions are disabled, a conversion complete event sets SC1n[COCO] and generates an ADC interrupt to wake the MCU from Wait mode if the respective ADC interrupt is enabled, that is, when SC1n[AIEN]=1. If the hardware averaging function is enabled, SC1n[COCO] will set, and generate an interrupt if enabled, when the selected number of conversions are completed. If the compare function is enabled, SC1n[COCO] will set, and generate an interrupt if enabled, only if the compare conditions are met. If a single conversion is selected and the compare trigger is not met, the ADC will return to its idle state and cannot wake the MCU from Wait mode unless a new conversion is initiated by the hardware trigger.

28.4.10 MCU Normal Stop mode operation

Stop mode is a low-power consumption Standby mode during which most or all clock sources on the MCU are disabled.

28.4.10.1 Normal Stop mode with ADACK disabled

If the asynchronous clock, ADACK, is not selected as the conversion clock, executing a stop instruction aborts the current conversion and places the ADC in its Idle state. The contents of the ADC registers, including Rn, are unaffected by Normal Stop mode. After exiting from Normal Stop mode, a software or hardware trigger is required to resume conversions.

28.4.10.2 Normal Stop mode with ADACK enabled

If ADACK is selected as the conversion clock, the ADC continues operation during Normal Stop mode. See the chip configuration chapter for configuration information for this MCU.

If a conversion is in progress when the MCU enters Normal Stop mode, it continues until completion. Conversions can be initiated while the MCU is in Normal Stop mode by means of the hardware trigger or if continuous conversions are enabled.

If the compare and hardware averaging functions are disabled, a conversion complete event sets SC1n[COCO] and generates an ADC interrupt to wake the MCU from Normal Stop mode if the respective ADC interrupt is enabled, that is, when SC1n[AIEN]=1. The result register, Rn, will contain the data from the first completed conversion that occurred during Normal Stop mode. If the hardware averaging function is enabled, SC1n[COCO] will set, and generate an interrupt if enabled, when the selected number of conversions are completed. If the compare function is enabled, SC1n[COCO] will set, and generate an interrupt if enabled, only if the compare conditions are met. If a single conversion is selected and the compare is not true, the ADC will return to its Idle state and cannot wake the MCU from Normal Stop mode unless a new conversion is initiated by another hardware trigger.

28.4.11 MCU Low-Power Stop mode operation

The ADC module is automatically disabled when the MCU enters Low-Power Stop mode. All module registers contain their reset values following exit from Low-Power Stop mode. Therefore, the module must be re-enabled and re-configured following exit from Low-Power Stop mode.

NOTE

For the chip specific modes of operation, see the power management information for the device.

28.5 Initialization information

This section gives an example that provides some basic direction on how to initialize and configure the ADC module. The user can configure the module for 16-bit, 12-bit, 10-bit, or 8-bit single-ended resolution or 16-bit, 13-bit, 11-bit, or 9-bit differential resolution, single or continuous conversion, and a polled or interrupt approach, among many other options. For information used in this example, refer to [Table 28-73](#), [Table 28-74](#), and [Table 28-75](#).

Note

Hexadecimal values are designated by a preceding 0x, binary values designated by a preceding %, and decimal values have no preceding character.

28.5.1 ADC module initialization example

28.5.1.1 Initialization sequence

Before the ADC module can be used to complete conversions, an initialization procedure must be performed. A typical sequence is:

1. Calibrate the ADC by following the calibration instructions in [Calibration function](#).
2. Update CFG to select the input clock source and the divide ratio used to generate ADCK. This register is also used for selecting sample time and low-power configuration.
3. Update SC2 to select the conversion trigger, hardware or software, and compare function options, if enabled.
4. Update SC3 to select whether conversions will be continuous or completed only once (ADCO) and whether to perform hardware averaging.
5. Update SC1:SC1n registers to select whether conversions will be single-ended or differential and to enable or disable conversion complete interrupts. Also, select the input channel which can be used to perform conversions.

28.5.1.2 Pseudo-code example

In this example, the ADC module is set up with interrupts enabled to perform a single 10-bit conversion at low-power with a long sample time on input channel 1, where ADCK is derived from the bus clock divided by 1.

CFG1 = 0x98 (%10011000)

Bit 7	ADLPC	1	Configures for low power, lowers maximum clock speed.
Bit 6:5	ADIV	00	Sets the ADCK to the input clock ÷ 1.
Bit 4	ADLSMP	1	Configures for long sample time.
Bit 3:2	MODE	10	Selects the single-ended 10-bit conversion, differential 11-bit conversion.
Bit 1:0	ADICLK	00	Selects the bus clock.

SC2 = 0x00 (%00000000)

Bit 7	ADACT	0	Flag indicates if a conversion is in progress.
Bit 6	ADTRG	0	Software trigger selected.
Bit 5	ACFE	0	Compare function disabled.
Bit 4	ACFGT	0	Not used in this example.
Bit 3	ACREN	0	Compare range disabled.
Bit 2	DMAEN	0	DMA request disabled.
Bit 1:0	REFSEL	00	Selects default voltage reference pin pair (External pins V_{REFH} and V_{REFL}).

SC1A = 0x41 (%01000001)

Bit 7 COCO 0 Read-only flag which is set when a conversion completes.
 Bit 6 AIEN 1 Conversion complete interrupt enabled.
 Bit 5 DIFF 0 Single-ended conversion selected.
 Bit 4:0 ADCH 00001 Input channel 1 selected as ADC input channel.

RA = 0xxx

Holds results of conversion.

CV = 0xxx

Holds compare value when compare function enabled.

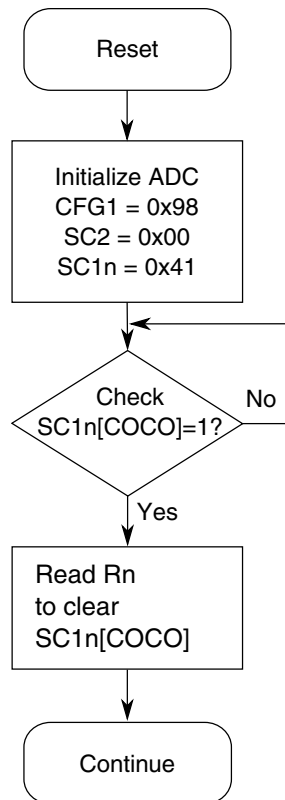


Figure 28-64. Initialization flowchart example

28.6 Application information

The ADC has been designed to be integrated into a microcontroller for use in embedded control applications requiring an ADC.

28.6.1 External pins and routing

28.6.1.1 Analog supply pins

Depending on the device, the analog power and ground supplies, V_{DDA} and V_{SSA} , of the ADC module are available as:

- V_{DDA} and V_{SSA} available as separate pins—When available on a separate pin, both V_{DDA} and V_{SSA} must be connected to the same voltage potential as their corresponding MCU digital supply, V_{DD} and V_{SS} , and must be routed carefully for maximum noise immunity and bypass capacitors placed as near as possible to the package.
- V_{SSA} is shared on the same pin as the MCU digital V_{SS} .
- V_{SSA} and V_{DDA} are shared with the MCU digital supply pins—In these cases, there are separate pads for the analog supplies bonded to the same pin as the corresponding digital supply so that some degree of isolation between the supplies is maintained.

If separate power supplies are used for analog and digital power, the ground connection between these supplies must be at the V_{SSA} pin. This must be the only ground connection between these supplies, if possible. V_{SSA} makes a good single point ground location.

28.6.1.2 Analog voltage reference pins

In addition to the analog supplies, the ADC module has connections for two reference voltage inputs used by the converter:

- V_{REFSH} is the high reference voltage for the converter.
- V_{REFSL} is the low reference voltage for the converter.

The ADC can be configured to accept one of two voltage reference pairs for V_{REFSH} and V_{REFSL} . Each pair contains a positive reference and a ground reference. The two pairs are external, V_{REFH} and V_{REFL} and alternate, V_{ALTH} and V_{ALTTL} . These voltage references are selected using $SC2[REFSEL]$. The alternate voltage reference pair, V_{ALTH} and V_{ALTTL} , may select additional external pins or internal sources based on MCU configuration. See the chip configuration information on the voltage references specific to this MCU.

In some packages, the external or alternate pairs are connected in the package to V_{DDA} and V_{SSA} , respectively. One of these positive references may be shared on the same pin as V_{DDA} on some devices. One of these ground references may be shared on the same pin as V_{SSA} on some devices.

If externally available, the positive reference may be connected to the same potential as V_{DDA} or may be driven by an external source to a level between the minimum Ref Voltage High and the V_{DDA} potential. The positive reference must never exceed V_{DDA} . If externally available, the ground reference must be connected to the same voltage potential as V_{SSA} . The voltage reference pairs must be routed carefully for maximum noise immunity and bypass capacitors placed as near as possible to the package.

AC current in the form of current spikes required to supply charge to the capacitor array at each successive approximation step is drawn through the V_{REFH} and V_{REFL} loop. The best external component to meet this current demand is a 0.1 μF capacitor with good high-frequency characteristics. This capacitor is connected between V_{REFH} and V_{REFL} and must be placed as near as possible to the package pins. Resistance in the path is not recommended because the current causes a voltage drop that could result in conversion errors. Inductance in this path must be minimum, that is, parasitic only.

28.6.1.3 Analog input pins

The external analog inputs are typically shared with digital I/O pins on MCU devices.

Empirical data shows that capacitors on the analog inputs improve performance in the presence of noise or when the source impedance is high. Use of 0.01 μF capacitors with good high-frequency characteristics is sufficient. These capacitors are not necessary in all cases, but when used, they must be placed as near as possible to the package pins and be referenced to V_{SSA} .

For proper conversion, the input voltage must fall between V_{REFH} and V_{REFL} . If the input is equal to or exceeds V_{REFH} , the converter circuit converts the signal to 0xFFFF, which is full scale 12-bit representation, 0x3FF, which is full scale 10-bit representation, or 0xFF, which is full scale 8-bit representation. If the input is equal to or less than V_{REFL} , the converter circuit converts it to 0x000. Input voltages between V_{REFH} and V_{REFL} are straight-line linear conversions. There is a brief current associated with V_{REFL} when the sampling capacitor is charging.

For minimal loss of accuracy due to current injection, pins adjacent to the analog input pins must not be transitioning during conversions.

28.6.2 Sources of error

28.6.2.1 Sampling error

For proper conversions, the input must be sampled long enough to achieve the proper accuracy.

$$RAS + RADIN = SC / (FMAX * NUMTAU * CADIN)$$

Figure 28-65. Sampling equation

Where:

RAS = External analog source resistance

SC = Number of ADCK cycles used during sample window

CADIN = Internal ADC input capacitance

NUMTAU = $-\ln(\text{LSBERR} / 2^N)$

LSBERR = value of acceptable sampling error in LSBs

N = 8 in 8-bit mode, 10 in 10-bit mode, 12 in 12-bit mode or 16 in 16-bit mode

Higher source resistances or higher-accuracy sampling is possible by setting CFG1[ADLSMP] and changing CFG2[ADLSTS] to increase the sample window, or decreasing ADCK frequency to increase sample time.

28.6.2.2 Pin leakage error

Leakage on the I/O pins can cause conversion error if the external analog source resistance, R_{AS} , is high. If this error cannot be tolerated by the application, keep R_{AS} lower than $V_{REFH} / (4 \times I_{LEAK} \times 2^N)$ for less than 1/4 LSB leakage error, where N = 8 in 8-bit mode, 10 in 10-bit mode, 12 in 12-bit mode, or 16 in 16-bit mode.

28.6.2.3 Noise-induced errors

System noise that occurs during the sample or conversion process can affect the accuracy of the conversion. The ADC accuracy numbers are guaranteed as specified only if the following conditions are met:

- There is a 0.1 μF low-ESR capacitor from V_{REFH} to V_{REFL} .
- There is a 0.1 μF low-ESR capacitor from V_{DDA} to V_{SSA} .
- If inductive isolation is used from the primary supply, an additional 1 μF capacitor is placed from V_{DDA} to V_{SSA} .
- V_{SSA} , and V_{REFL} , if connected, is connected to V_{SS} at a quiet point in the ground plane.
- Operate the MCU in Wait or Normal Stop mode before initiating (hardware-triggered conversions) or immediately after initiating (hardware- or software-triggered conversions) the ADC conversion.

- For software triggered conversions, immediately follow the write to SC1 with a Wait instruction or Stop instruction.
- For Normal Stop mode operation, select ADACK as the clock source. Operation in Normal Stop reduces V_{DD} noise but increases effective conversion time due to stop recovery.
- There is no I/O switching, input or output, on the MCU during the conversion.

There are some situations where external system activity causes radiated or conducted noise emissions or excessive V_{DD} noise is coupled into the ADC. In these situations, or when the MCU cannot be placed in Wait or Normal Stop mode, or I/O activity cannot be halted, the following actions may reduce the effect of noise on the accuracy:

- Place a 0.01 μF capacitor (C_{AS}) on the selected input channel to V_{REFL} or V_{SSA} . This improves noise issues, but affects the sample rate based on the external analog source resistance.
- Average the result by converting the analog input many times in succession and dividing the sum of the results. Four samples are required to eliminate the effect of a 1 LSB, one-time error.
- Reduce the effect of synchronous noise by operating off the asynchronous clock, that is, ADACK, and averaging. Noise that is synchronous to ADCK cannot be averaged out.

28.6.2.4 Code width and quantization error

The ADC quantizes the ideal straight-line transfer function into 65536 steps in the 16-bit mode). Each step ideally has the same height, that is, 1 code, and width. The width is defined as the delta between the transition points to one code and the next. The ideal code width for an N-bit converter, where N can be 16, 12, 10, or 8, defined as 1 LSB, is:

$$1\text{LSB} = (V_{REFH}) / 2^N$$

Figure 28-66. Ideal code width for an N-bit converter

There is an inherent quantization error due to the digitization of the result. For 8-bit, 10-bit, or 12-bit conversions, the code transitions when the voltage is at the midpoint between the points where the straight line transfer function is exactly represented by the actual transfer function. Therefore, the quantization error will be $\pm 1/2$ LSB in 8-bit, 10-bit, or 12-bit modes. As a consequence, however, the code width of the first (0x000) conversion is only 1/2 LSB and the code width of the last (0xFF or 0x3FF) is 1.5 LSB.

For 16-bit conversions, the code transitions only after the full code width is present, so the quantization error is -1 LSB to 0 LSB and the code width of each step is 1 LSB.

28.6.2.5 Linearity errors

The ADC may also exhibit non-linearity of several forms. Every effort has been made to reduce these errors, but the system designers must be aware of these errors because they affect overall accuracy:

- Zero-scale error (E_{ZS}), sometimes called offset: This error is defined as the difference between the actual code width of the first conversion and the ideal code width. This is 1/2 LSB in 8-bit, 10-bit, or 12-bit modes and 1 LSB in 16-bit mode. If the first conversion is 0x001, the difference between the actual 0x001 code width and its ideal (1 LSB) is used.
- Full-scale error (E_{FS}): This error is defined as the difference between the actual code width of the last conversion and the ideal code width. This is 1.5 LSB in 8-bit, 10-bit, or 12-bit modes and 1 LSB in 16-bit mode. If the last conversion is 0x3FE, the difference between the actual 0x3FE code width and its ideal (1 LSB) is used.
- Differential non-linearity (DNL): This error is defined as the worst-case difference between the actual code width and the ideal code width for all conversions.
- Integral non-linearity (INL): This error is defined as the highest-value or absolute value that the running sum of DNL achieves. More simply, this is the worst-case difference of the actual transition voltage to a given code and its corresponding ideal transition voltage, for all codes.
- Total unadjusted error (TUE): This error is defined as the difference between the actual transfer function and the ideal straight-line transfer function and includes all forms of error.

28.6.2.6 Code jitter, non-monotonicity, and missing codes

Analog-to-digital converters are susceptible to three special forms of error:

- Code jitter: Code jitter is when, at certain points, a given input voltage converts to one of the two values when sampled repeatedly. Ideally, when the input voltage is infinitesimally smaller than the transition voltage, the converter yields the lower code, and vice-versa. However, even small amounts of system noise can cause the converter to be indeterminate, between two codes, for a range of input voltages around the transition voltage.

This error may be reduced by repeatedly sampling the input and averaging the result. Additionally, the techniques discussed in [Noise-induced errors](#) reduces this error.

- **Non-monotonicity:** Non-monotonicity is defined as when, except for code jitter, the converter converts to a lower code for a higher input voltage.
- **Missing codes:** Missing codes are those values never converted for any input value.

In 8-bit or 10-bit mode, the ADC is guaranteed to be monotonic and have no missing codes.

Chapter 29

Comparator (CMP)

29.1 Introduction

NOTE

For the chip-specific implementation details of this module's instances, see the chip configuration information.

The comparator (CMP) module provides a circuit for comparing two analog input voltages. The comparator circuit is designed to operate across the full range of the supply voltage, known as rail-to-rail operation.

The Analog MUX (ANMUX) provides a circuit for selecting an analog input signal from eight channels. One signal is provided by the 6-bit digital-to-analog converter (DAC). The mux circuit is designed to operate across the full range of the supply voltage.

The 6-bit DAC is 64-tap resistor ladder network which provides a selectable voltage reference for applications where voltage reference is needed. The 64-tap resistor ladder network divides the supply reference V_{in} into 64 voltage levels. A 6-bit digital signal input selects the output voltage level, which varies from V_{in} to $V_{in}/64$. V_{in} can be selected from two voltage sources, V_{in1} and V_{in2} . The 6-bit DAC from a comparator is available as an on-chip internal signal only and is not available externally to a pin.

29.2 CMP features

The CMP has the following features:

- Operational over the entire supply range
- Inputs may range from rail to rail
- Programmable hysteresis control

6-bit DAC key features

- Selectable interrupt on rising-edge, falling-edge, or both rising or falling edges of the comparator output
- Selectable inversion on comparator output
- Capability to produce a wide range of outputs such as:
 - Sampled
 - Windowed, which is ideal for certain PWM zero-crossing-detection applications
 - Digitally filtered:
 - Filter can be bypassed
 - Can be clocked via external SAMPLE signal or scaled bus clock
- External hysteresis can be used at the same time that the output filter is used for internal functions
- Two software selectable performance levels:
 - Shorter propagation delay at the expense of higher power
 - Low power, with longer propagation delay
- DMA transfer support
 - A comparison event can be selected to trigger a DMA transfer
- Functional in all modes of operation
- The window and filter functions are not available in the following modes:
 - Stop
 - VLPS
 - LLS
 - VLLS_x

29.3 6-bit DAC key features

- 6-bit resolution
- Selectable supply reference source
- Power Down mode to conserve power when not in use
- Option to route the output to internal comparator input

29.4 ANMUX key features

- Two 8-to-1 channel mux
- Operational over the entire supply range

29.5 CMP, DAC and ANMUX diagram

The following figure shows the block diagram for the High-Speed Comparator, DAC, and ANMUX modules.

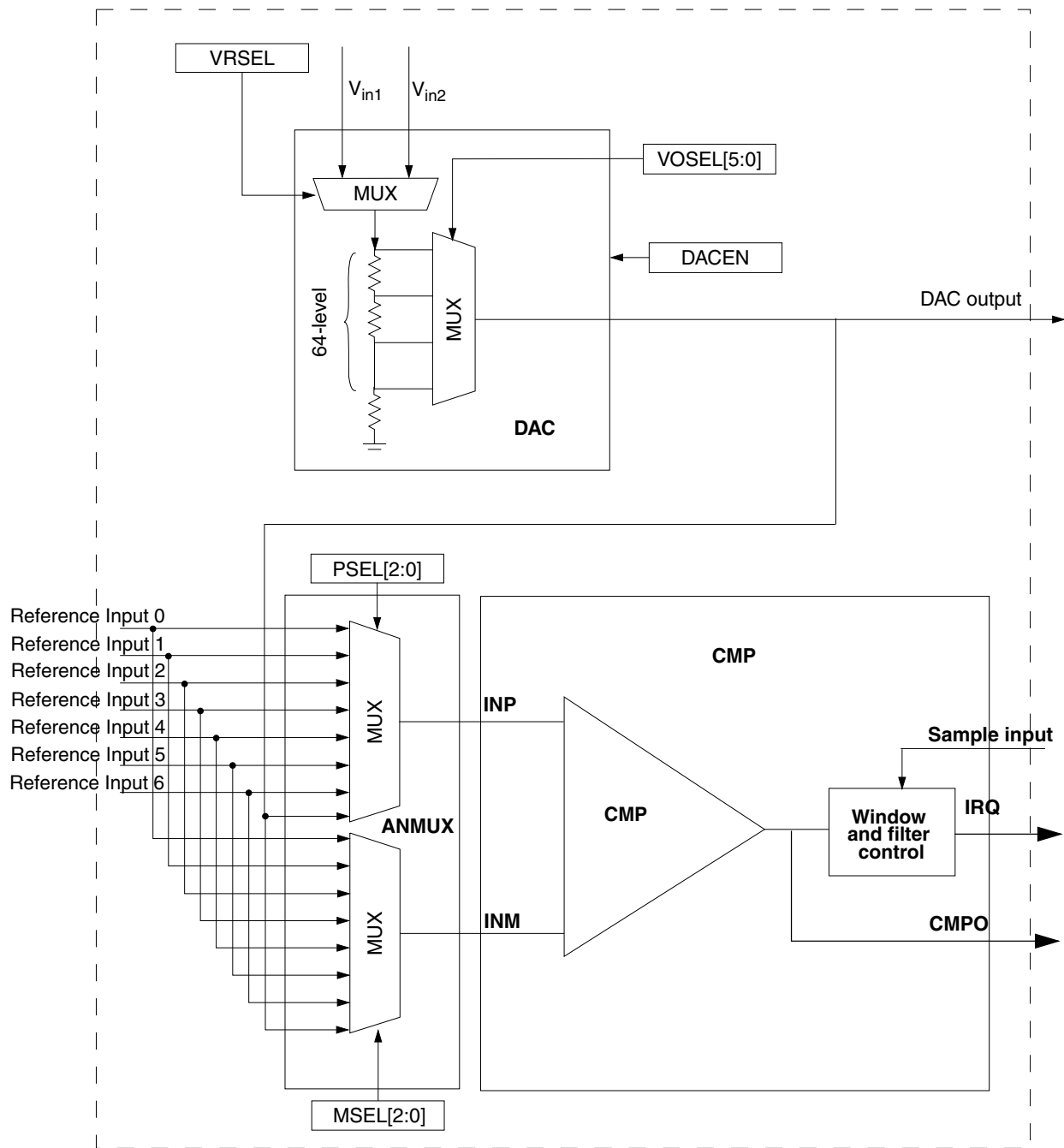


Figure 29-1. CMP, DAC and ANMUX block diagram

29.6 CMP block diagram

The following figure shows the block diagram for the CMP module.

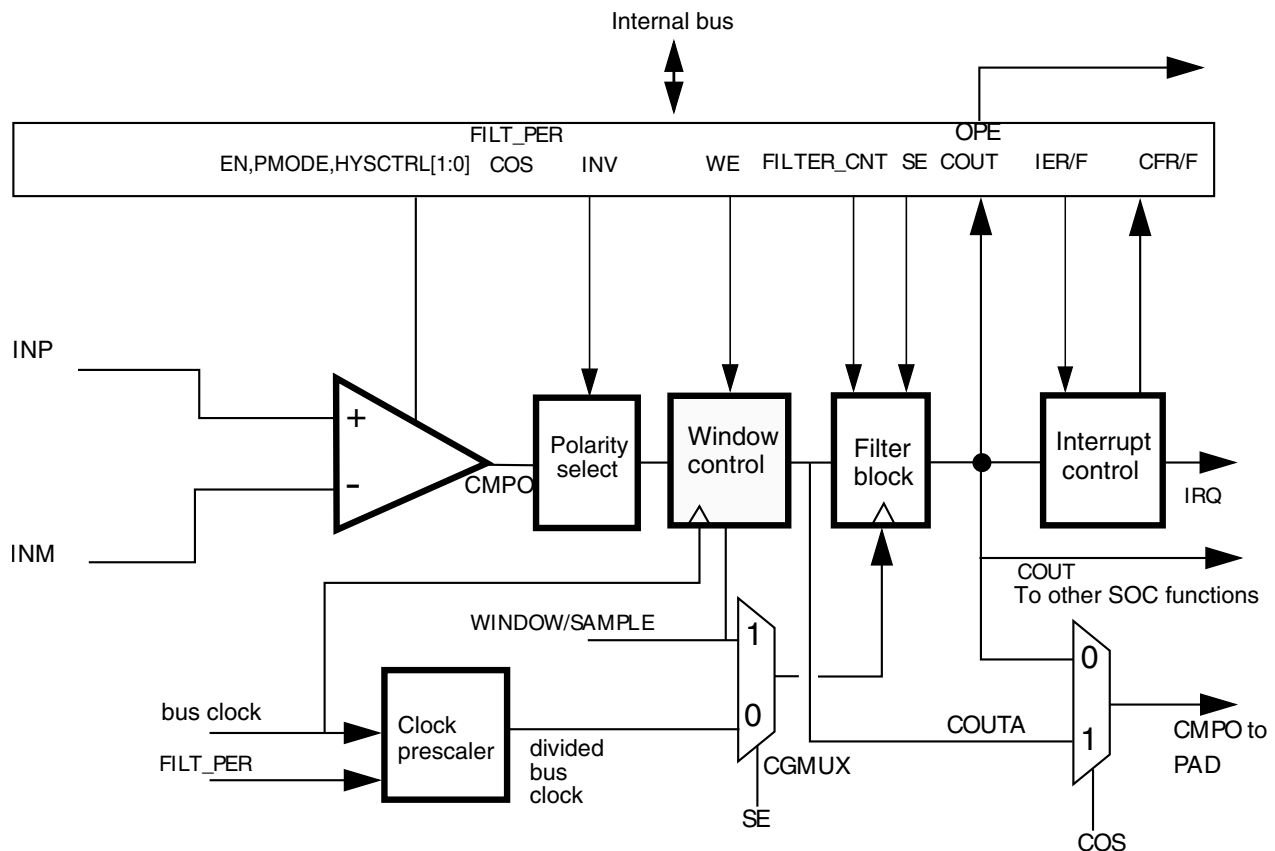


Figure 29-2. Comparator module block diagram

In the CMP block diagram:

- The Window Control block is bypassed when $CR1[WE] = 0$
- If $CR1[WE] = 1$, the comparator output will be sampled on every bus clock when $WINDOW=1$ to generate $COUTA$. Sampling does NOT occur when $WINDOW = 0$.
- The Filter block is bypassed when not in use.
- The Filter block acts as a simple sampler if the filter is bypassed and $CR0[FILTER_CNT]$ is set to $0x01$.
- The Filter block filters based on multiple samples when the filter is bypassed and $CR0[FILTER_CNT]$ is set greater than $0x01$.
 - If $CR1[SE] = 1$, the external $SAMPLE$ input is used as sampling clock
 - IF $CR1[SE] = 0$, the divided bus clock is used as sampling clock

Memory map/register definitions

- If enabled, the Filter block will incur up to one bus clock additional latency penalty on COUT due to the fact that COUT, which is crossing clock domain boundaries, must be resynchronized to the bus clock.
- CR1[WE] and CR1[SE] are mutually exclusive.

29.7 Memory map/register definitions

CMP memory map

Absolute address (hex)	Register name	Width (in bits)	Access	Reset value	Section/page
4007_3000	CMP Control Register 0 (CMP0_CR0)	8	R/W	00h	29.7.1/518
4007_3001	CMP Control Register 1 (CMP0_CR1)	8	R/W	00h	29.7.2/519
4007_3002	CMP Filter Period Register (CMP0_FPR)	8	R/W	00h	29.7.3/521
4007_3003	CMP Status and Control Register (CMP0_SCR)	8	R/W	00h	29.7.4/521
4007_3004	DAC Control Register (CMP0_DACCR)	8	R/W	00h	29.7.5/522
4007_3005	MUX Control Register (CMP0_MUXCR)	8	R/W	00h	29.7.6/523

29.7.1 CMP Control Register 0 (CMPx_CR0)

Address: 4007_3000h base + 0h offset = 4007_3000h

Bit	7	6	5	4	3	2	1	0
Read	0	FILTER_CNT			0	0	HYSTCTR	
Write	[Shaded]				[Shaded]			
Reset	0	0	0	0	0	0	0	0

CMPx_CR0 field descriptions

Field	Description
7 Reserved	This field is reserved. This read-only field is reserved and always has the value 0.
6–4 FILTER_CNT	<p>Filter Sample Count</p> <p>Represents the number of consecutive samples that must agree prior to the comparator output filter accepting a new output state. For information regarding filter programming and latency, see the Functional description.</p> <p>000 Filter is disabled. If SE = 1, then COUT is a logic 0. This is not a legal state, and is not recommended. If SE = 0, COUT = COUTA.</p> <p>001 One sample must agree. The comparator output is simply sampled.</p> <p>010 2 consecutive samples must agree.</p> <p>011 3 consecutive samples must agree.</p> <p>100 4 consecutive samples must agree.</p>

Table continues on the next page...

CMPx_CR0 field descriptions (continued)

Field	Description
	101 5 consecutive samples must agree. 110 6 consecutive samples must agree. 111 7 consecutive samples must agree.
3 Reserved	This field is reserved. This read-only field is reserved and always has the value 0.
2 Reserved	This field is reserved. This read-only field is reserved and always has the value 0.
1–0 HYSTCTR	Comparator hard block hysteresis control Defines the programmable hysteresis level. The hysteresis values associated with each level are device-specific. See the Data Sheet of the device for the exact values. 00 Level 0 01 Level 1 10 Level 2 11 Level 3

29.7.2 CMP Control Register 1 (CMPx_CR1)

Address: 4007_3000h base + 1h offset = 4007_3001h

Bit	7	6	5	4	3	2	1	0
Read	SE	WE	TRIGM	PMODE	INV	COS	OPE	EN
Write								
Reset	0	0	0	0	0	0	0	0

CMPx_CR1 field descriptions

Field	Description
7 SE	Sample Enable At any given time, either SE or WE can be set. It is mandatory request to not set SE and WE both at a given time. 0 Sampling mode is not selected. 1 Sampling mode is selected.
6 WE	Windowing Enable At any given time, either SE or WE can be set. It is mandatory request to not set SE and WE both at a given time. 0 Windowing mode is not selected. 1 Windowing mode is selected.
5 TRIGM	Trigger Mode Enable CMP and DAC are configured to CMP Trigger mode when CMP_CR1[TRIGM] is set to 1. In addition, the CMP should be enabled. If the DAC is to be used as a reference to the CMP, it should also be enabled.

Table continues on the next page...

CMPx_CR1 field descriptions (continued)

Field	Description
	<p>CMP Trigger mode depends on an external timer resource to periodically enable the CMP and 6-bit DAC in order to generate a triggered compare.</p> <p>Upon setting TRIGM, the CMP and DAC are placed in a standby state until an external timer resource trigger is received.</p> <p>See the chip configuration chapter for details about the external timer resource.</p> <p>0 Trigger mode is disabled. 1 Trigger mode is enabled.</p>
4 PMODE	<p>Power Mode Select</p> <p>See the electrical specifications table in the device Data Sheet for details.</p> <p>0 Low-Speed (LS) Comparison mode selected. In this mode, CMP has slower output propagation delay and lower current consumption. 1 High-Speed (HS) Comparison mode selected. In this mode, CMP has faster output propagation delay and higher current consumption.</p>
3 INV	<p>Comparator INVERT</p> <p>Allows selection of the polarity of the analog comparator function. It is also driven to the COUT output, on both the device pin and as SCR[COUT], when OPE=0.</p> <p>0 Does not invert the comparator output. 1 Inverts the comparator output.</p>
2 COS	<p>Comparator Output Select</p> <p>0 Set the filtered comparator output (CMPO) to equal COUT. 1 Set the unfiltered comparator output (CMPO) to equal COUTA.</p>
1 OPE	<p>Comparator Output Pin Enable</p> <p>0 CMPO is not available on the associated CMPO output pin. If the comparator does not own the pin, this field has no effect. 1 CMPO is available on the associated CMPO output pin.</p> <p>The comparator output (CMPO) is driven out on the associated CMPO output pin if the comparator owns the pin. If the comparator does not own the field, this bit has no effect.</p>
0 EN	<p>Comparator Module Enable</p> <p>Enables the Analog Comparator module. When the module is not enabled, it remains in the off state, and consumes no power. When the user selects the same input from analog mux to the positive and negative port, the comparator is disabled automatically.</p> <p>0 Analog Comparator is disabled. 1 Analog Comparator is enabled.</p>

29.7.3 CMP Filter Period Register (CMPx_FPR)

Address: 4007_3000h base + 2h offset = 4007_3002h

Bit	7	6	5	4	3	2	1	0
Read	FILT_PER							
Write	FILT_PER							
Reset	0	0	0	0	0	0	0	0

CMPx_FPR field descriptions

Field	Description
7–0 FILT_PER	<p>Filter Sample Period</p> <p>Specifies the sampling period, in bus clock cycles, of the comparator output filter, when CR1[SE]=0. Setting FILT_PER to 0x0 disables the filter. Filter programming and latency details appear in the Functional description.</p> <p>This field has no effect when CR1[SE]=1. In that case, the external SAMPLE signal is used to determine the sampling period.</p>

29.7.4 CMP Status and Control Register (CMPx_SCR)

Address: 4007_3000h base + 3h offset = 4007_3003h

Bit	7	6	5	4	3	2	1	0
Read	0	DMAEN	0	IER	IEF	CFR	CFF	COUT
Write						w1c	w1c	
Reset	0	0	0	0	0	0	0	0

CMPx_SCR field descriptions

Field	Description
7 Reserved	<p>This field is reserved.</p> <p>This read-only field is reserved and always has the value 0.</p>
6 DMAEN	<p>DMA Enable Control</p> <p>Enables the DMA transfer triggered from the CMP module. When this field is set, a DMA request is asserted when CFR or CFF is set.</p> <p>0 DMA is disabled. 1 DMA is enabled.</p>
5 Reserved	<p>This field is reserved.</p> <p>This read-only field is reserved and always has the value 0.</p>
4 IER	<p>Comparator Interrupt Enable Rising</p> <p>Enables the CFR interrupt from the CMP. When this field is set, an interrupt will be asserted when CFR is set.</p>

Table continues on the next page...

CMPx_SCR field descriptions (continued)

Field	Description
	0 Interrupt is disabled. 1 Interrupt is enabled.
3 IEF	Comparator Interrupt Enable Falling Enables the CFF interrupt from the CMP. When this field is set, an interrupt will be asserted when CFF is set. 0 Interrupt is disabled. 1 Interrupt is enabled.
2 CFR	Analog Comparator Flag Rising Detects a rising-edge on COUT, when set, during normal operation. CFR is cleared by writing 1 to it. During Stop modes, CFR is edge sensitive . 0 Rising-edge on COUT has not been detected. 1 Rising-edge on COUT has occurred.
1 CFF	Analog Comparator Flag Falling Detects a falling-edge on COUT, when set, during normal operation. CFF is cleared by writing 1 to it. During Stop modes, CFF is edge sensitive . 0 Falling-edge on COUT has not been detected. 1 Falling-edge on COUT has occurred.
0 COUT	Analog Comparator Output Returns the current value of the Analog Comparator output, when read. The field is reset to 0 and will read as CR1[INV] when the Analog Comparator module is disabled, that is, when CR1[EN] = 0. Writes to this field are ignored.

29.7.5 DAC Control Register (CMPx_DACCR)

Address: 4007_3000h base + 4h offset = 4007_3004h

Bit	7	6	5	4	3	2	1	0
Read	DACEN	VRSEL	VOSEL					
Write								
Reset	0	0	0	0	0	0	0	0

CMPx_DACCR field descriptions

Field	Description
7 DACEN	DAC Enable Enables the DAC. When the DAC is disabled, it is powered down to conserve power. 0 DAC is disabled. 1 DAC is enabled.
6 VRSEL	Supply Voltage Reference Source Select

Table continues on the next page...

CMPx_DACCR field descriptions (continued)

Field	Description
	0 V _{in1} is selected as resistor ladder network supply reference V _{in1} .
	1 V _{in2} is selected as resistor ladder network supply reference V _{in2} .
5–0 VOSEL	DAC Output Voltage Select Selects an output voltage from one of 64 distinct levels. $DACO = (V_{in} / 64) * (VOSEL[5:0] + 1)$, so the DACO range is from V _{in} /64 to V _{in} .

29.7.6 MUX Control Register (CMPx_MUXCR)

Address: 4007_3000h base + 5h offset = 4007_3005h

Bit	7	6	5	4	3	2	1	0
Read	PSTM	0	PSEL			MSEL		
Write								
Reset	0	0	0	0	0	0	0	0

CMPx_MUXCR field descriptions

Field	Description
7 PSTM	Pass Through Mode Enable This bit is used to enable to MUX pass through mode. Pass through mode is always available but for some devices this feature must be always disabled due to the lack of package pins. 0 Pass Through Mode is disabled. 1 Pass Through Mode is enabled.
6 Reserved	This field is reserved. This read-only field is reserved and always has the value 0.
5–3 PSEL	Plus Input Mux Control Determines which input is selected for the plus input of the comparator. For IN _x inputs, see CMP, DAC, and ANMUX block diagrams. NOTE: When an inappropriate operation selects the same input for both muxes, the comparator automatically shuts down to prevent itself from becoming a noise generator. 000 IN0 001 IN1 010 IN2 011 IN3 100 IN4 101 IN5 110 IN6 111 IN7
2–0 MSEL	Minus Input Mux Control Determines which input is selected for the minus input of the comparator. For IN _x inputs, see CMP, DAC, and ANMUX block diagrams.

Table continues on the next page...

CMPx_MUXCR field descriptions (continued)

Field	Description
	NOTE: When an inappropriate operation selects the same input for both muxes, the comparator automatically shuts down to prevent itself from becoming a noise generator.
000	IN0
001	IN1
010	IN2
011	IN3
100	IN4
101	IN5
110	IN6
111	IN7

29.8 Functional description

The CMP module can be used to compare two analog input voltages applied to INP and INM. CMPO is high when the non-inverting input is greater than the inverting input, and is low when the non-inverting input is less than the inverting input. This signal can be selectively inverted by setting CR1[INV] = 1.

SCR[IER] and SCR[IEF] are used to select the condition which will cause the CMP module to assert an interrupt to the processor. SCR[CFF] is set on a falling-edge and SCR[CFR] is set on rising-edge of the comparator output. The optionally filtered CMPO can be read directly through SCR[COU].

29.8.1 CMP functional modes

There are three main sub-blocks to the CMP module:

- The comparator itself
- The window function
- The filter function

The filter, CR0[FILTER_CNT], can be clocked from an internal or external clock source. The filter is programmable with respect to the number of samples that must agree before a change in the output is registered. In the simplest case, only one sample must agree. In this case, the filter acts as a simple sampler.

The external sample input is enabled using CR1[SE]. When set, the output of the comparator is sampled only on rising edges of the sample input.

The "windowing mode" is enabled by setting CR1[WE]. When set, the comparator output is sampled only when WINDOW=1. This feature can be used to ignore the comparator output during time periods in which the input voltages are not valid. This is especially useful when implementing zero-crossing-detection for certain PWM applications.

The comparator filter and sampling features can be combined as shown in the following table. Individual modes are discussed below.

Table 29-15. Comparator sample/filter controls

Mode #	CR1[EN]	CR1[WE]	CR1[SE]	CR0[FILTER_CNT]	FPR[FILT_PER]	Operation
1	0	X	X	X	X	Disabled See the Disabled mode (# 1) .
2A	1	0	0	0x00	X	Continuous Mode See the Continuous mode (#s 2A & 2B) .
2B	1	0	0	X	0x00	
3A	1	0	1	0x01	X	Sampled, Non-Filtered mode See the Sampled, Non-Filtered mode (#s 3A & 3B) .
3B	1	0	0	0x01	> 0x00	
4A	1	0	1	> 0x01	X	Sampled, Filtered mode See the Sampled, Filtered mode (#s 4A & 4B) .
4B	1	0	0	> 0x01	> 0x00	
5A	1	1	0	0x00	X	Windowed mode Comparator output is sampled on every rising bus clock edge when SAMPLE=1 to generate COUTA. See the Windowed mode (#s 5A & 5B) .
5B	1	1	0	X	0x00	
6	1	1	0	0x01	0x01–0xFF	Windowed/Resampled mode Comparator output is sampled on every rising bus clock edge when SAMPLE=1 to generate COUTA, which is then resampled on an interval determined by FILT_PER to generate COUT. See the Windowed/Resampled mode (# 6) .
7	1	1	0	> 0x01	0x01–0xFF	Windowed/Filtered mode Comparator output is sampled on every rising bus clock edge when SAMPLE=1 to generate COUTA, which is then resampled and filtered to generate COUT. See the Windowed/Filtered mode (#7) .
All other combinations of CR1[EN], CR1[WE], CR1[SE], CR0[FILTER_CNT], and FPR[FILT_PER] are illegal.						

Functional description

For cases where a comparator is used to drive a fault input, for example, for a motor-control module such as FTM, it must be configured to operate in Continuous mode so that an external fault can immediately pass through the comparator to the target fault circuitry.

Note

Filtering and sampling settings must be changed only after setting CR1[SE]=0 and CR0[FILTER_CNT]=0x00. This resets the filter to a known state.

29.8.1.1 Disabled mode (# 1)

In Disabled mode, the analog comparator is non-functional and consumes no power. CMPO is 0 in this mode.

29.8.1.2 Continuous mode (#s 2A & 2B)

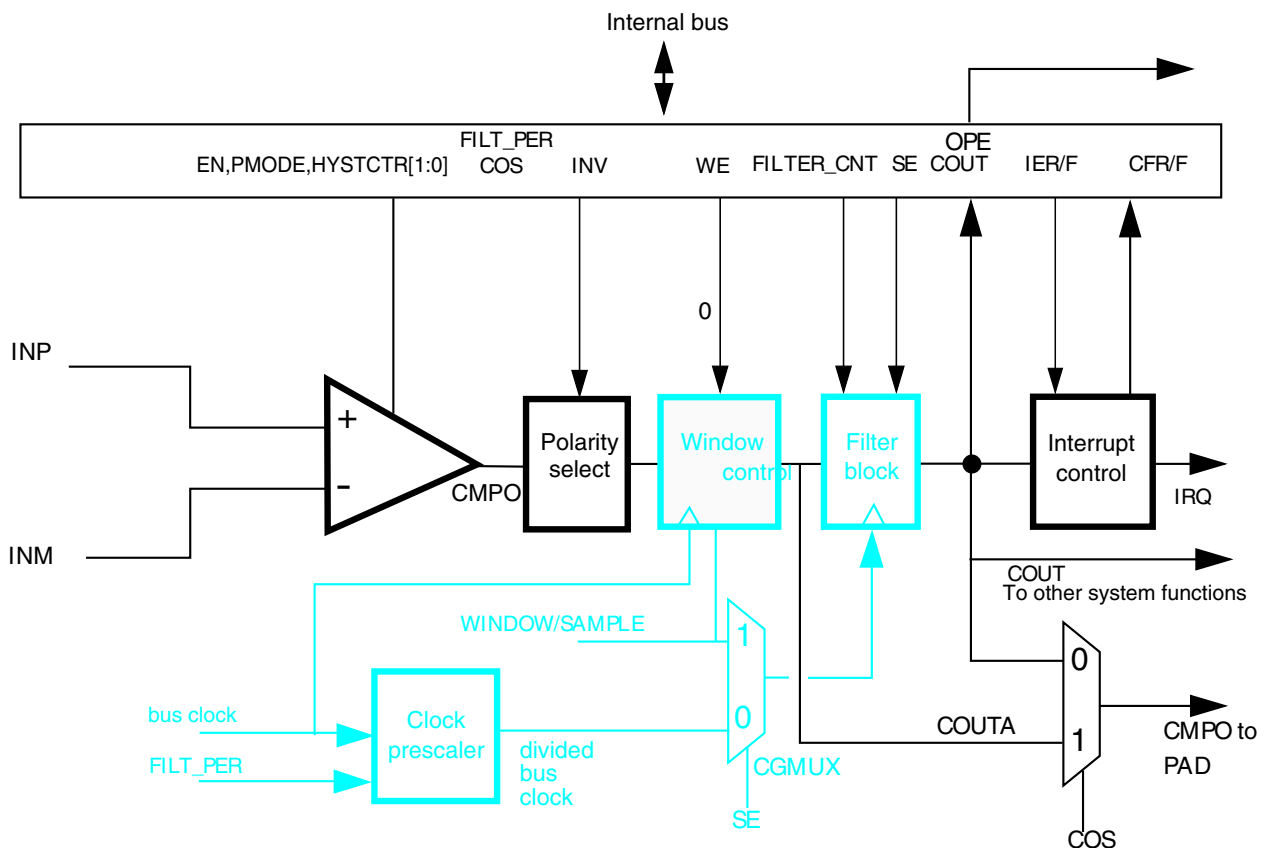


Figure 29-15. Comparator operation in Continuous mode

NOTE

See the chip configuration section for the source of sample/window input.

The analog comparator block is powered and active. CMPO may be optionally inverted, but is not subject to external sampling or filtering. Both window control and filter blocks are completely bypassed. SCR[COUT] is updated continuously. The path from comparator input pins to output pin is operating in combinational unlocked mode. COUT and COUTA are identical.

For control configurations which result in disabling the filter block, see the [Filter Block Bypass Logic](#) diagram.

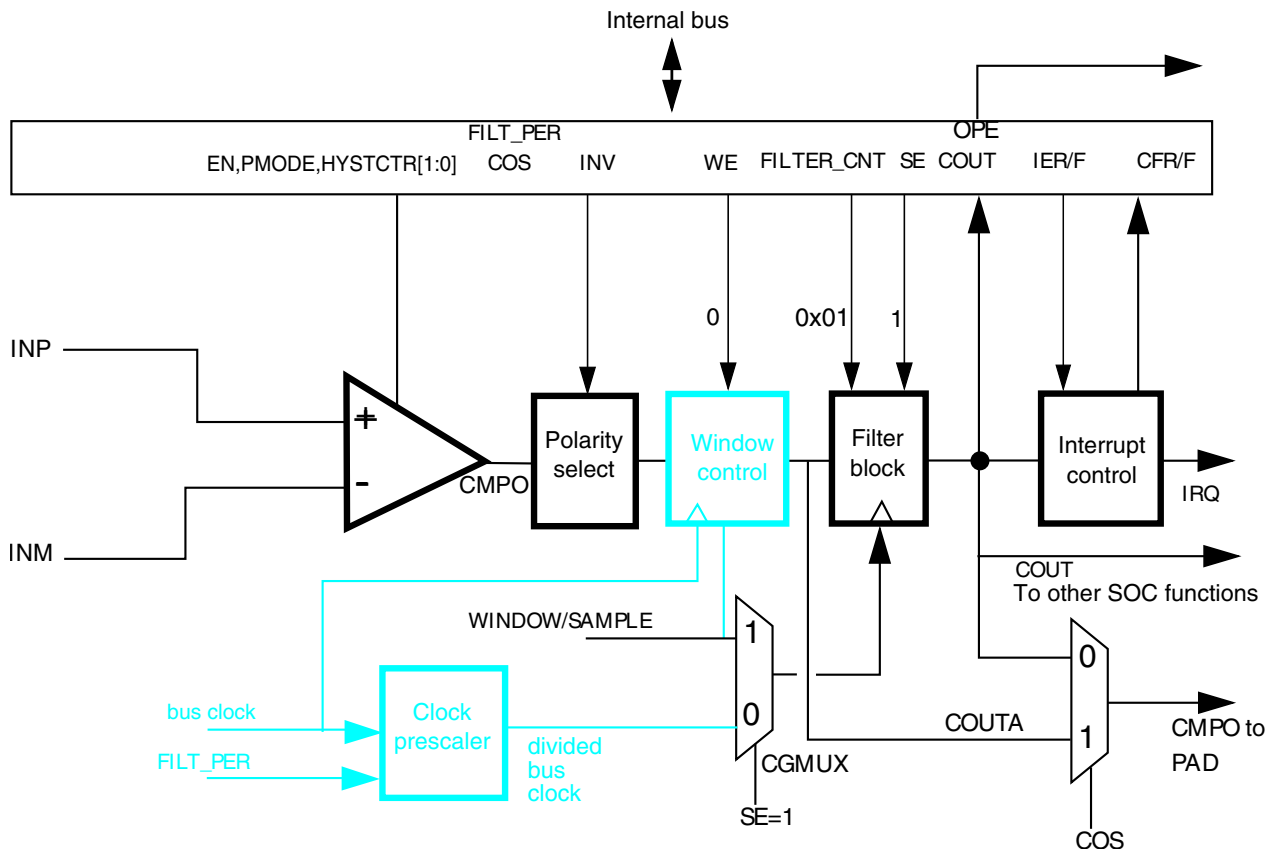
29.8.1.3 Sampled, Non-Filtered mode (#s 3A & 3B)

Figure 29-16. Sampled, Non-Filtered (# 3A): sampling point externally driven

In Sampled, Non-Filtered mode, the analog comparator block is powered and active. The path from analog inputs to COUTA is combinational unlocked. Windowing control is completely bypassed. COUTA is sampled whenever a rising-edge is detected on the filter block clock input.

Functional description

The only difference in operation between Sampled, Non-Filtered (# 3A) and Sampled, Non-Filtered (# 3B) is in how the clock to the filter block is derived. In #3A, the clock to filter block is externally derived while in #3B, the clock to filter block is internally derived.

The comparator filter has no other function than sample/hold of the comparator output in this mode (# 3B).

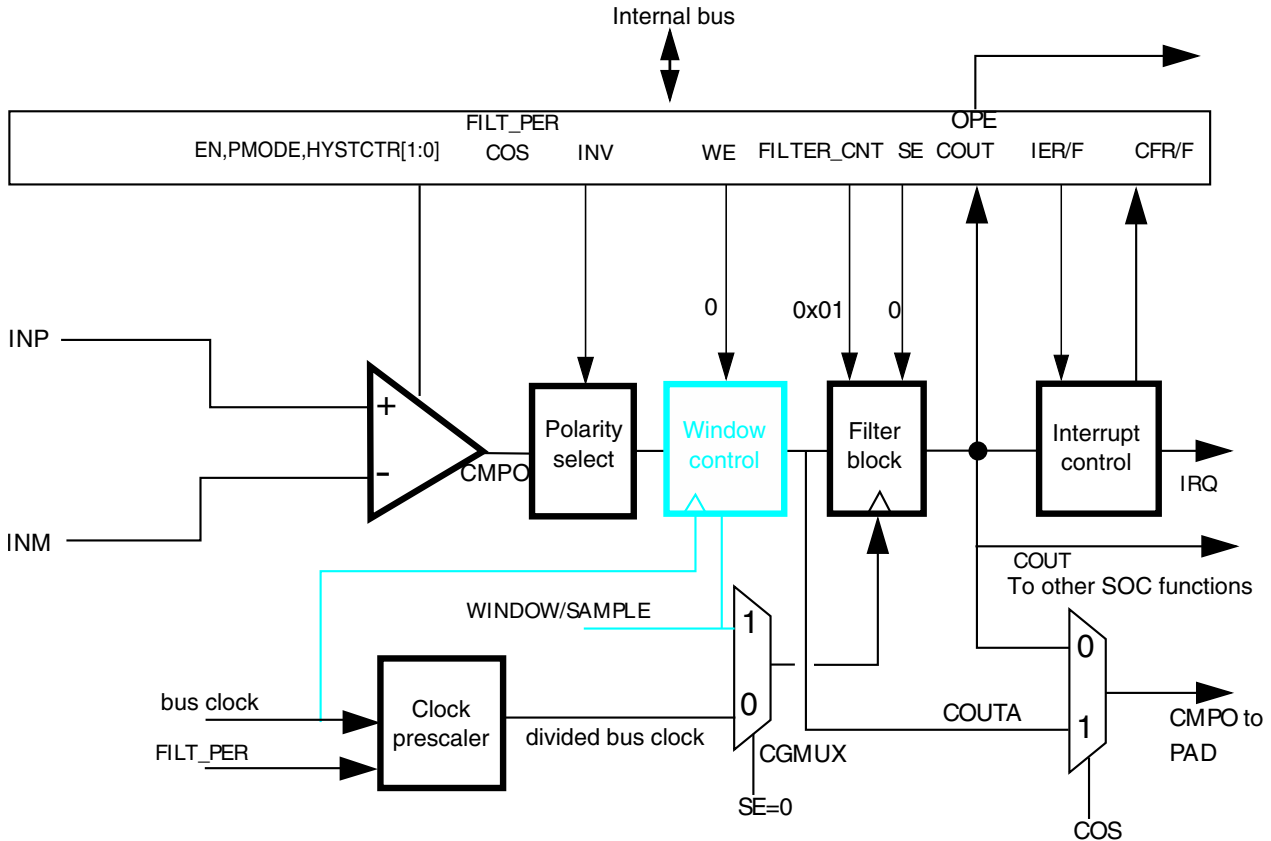


Figure 29-17. Sampled, Non-Filtered (# 3B): sampling interval internally derived

29.8.1.4 Sampled, Filtered mode (#s 4A & 4B)

In Sampled, Filtered mode, the analog comparator block is powered and active. The path from analog inputs to COUTA is combinational unlocked. Windowing control is completely bypassed. COUTA is sampled whenever a rising edge is detected on the filter block clock input.

The only difference in operation between Sampled, Non-Filtered (# 3A) and Sampled, Filtered (# 4A) is that, now, $CR0[FILTER_CNT] > 1$, which activates filter operation.

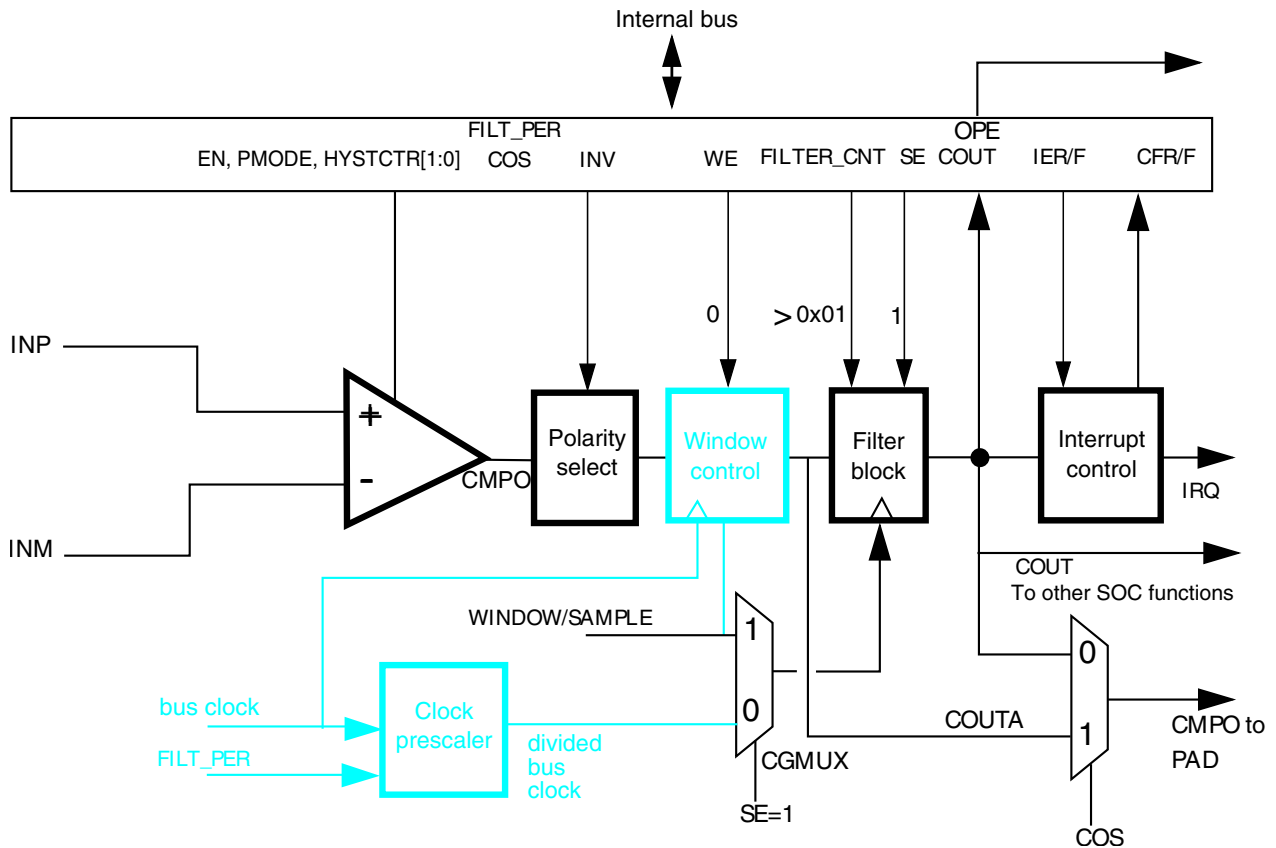


Figure 29-18. Sampled, Filtered (# 4A): sampling point externally driven

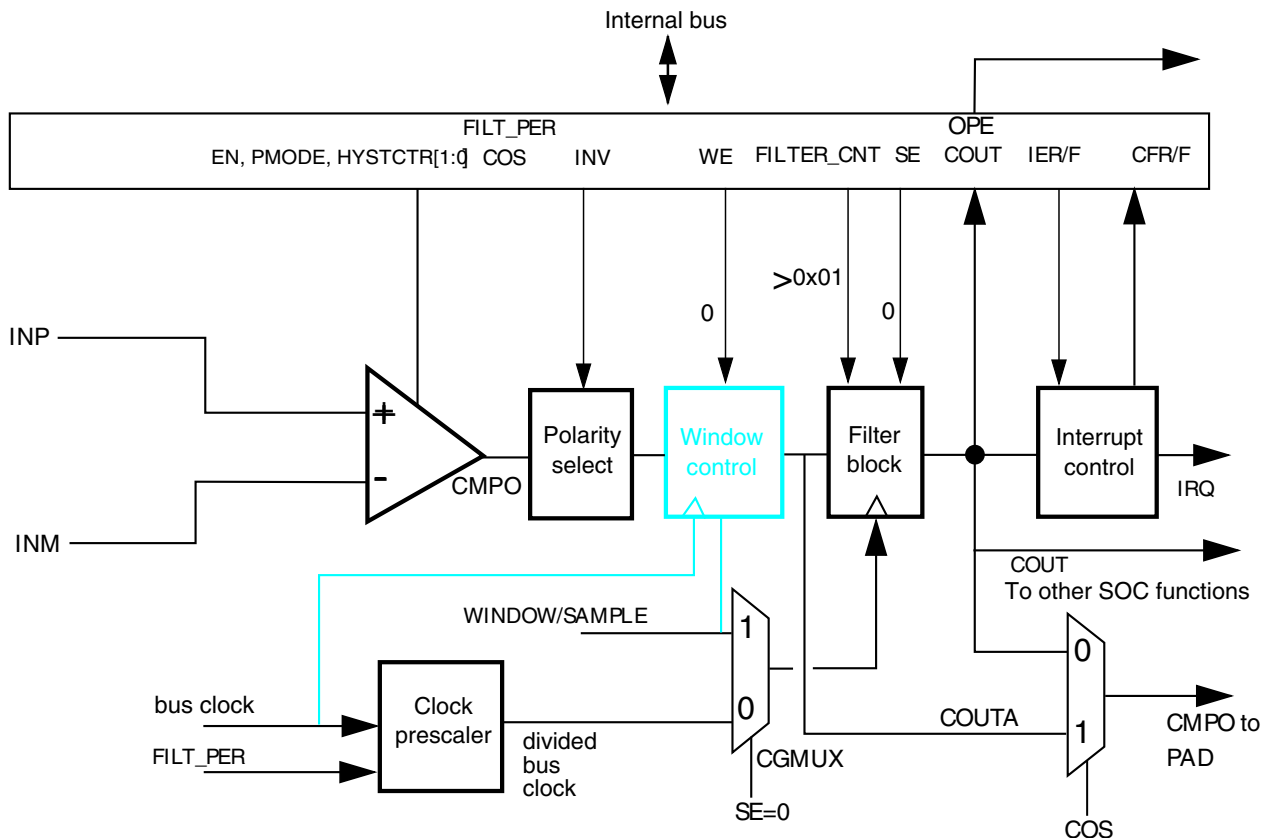


Figure 29-19. Sampled, Filtered (# 4B): sampling point internally derived

The only difference in operation between Sampled, Non-Filtered (# 3B) and Sampled, Filtered (# 4B) is that now, $CR0[FILTER_CNT] > 1$, which activates filter operation.

29.8.1.5 Windowed mode (#s 5A & 5B)

The following figure illustrates comparator operation in the Windowed mode, ignoring latency of the analog comparator, polarity select, and window control block. It also assumes that the polarity select is set to non-inverting state.

NOTE

The analog comparator output is passed to COUTA only when the WINDOW signal is high.

In actual operation, COUTA may lag the analog inputs by up to one bus clock cycle plus the combinational path delay through the comparator and polarity select logic.

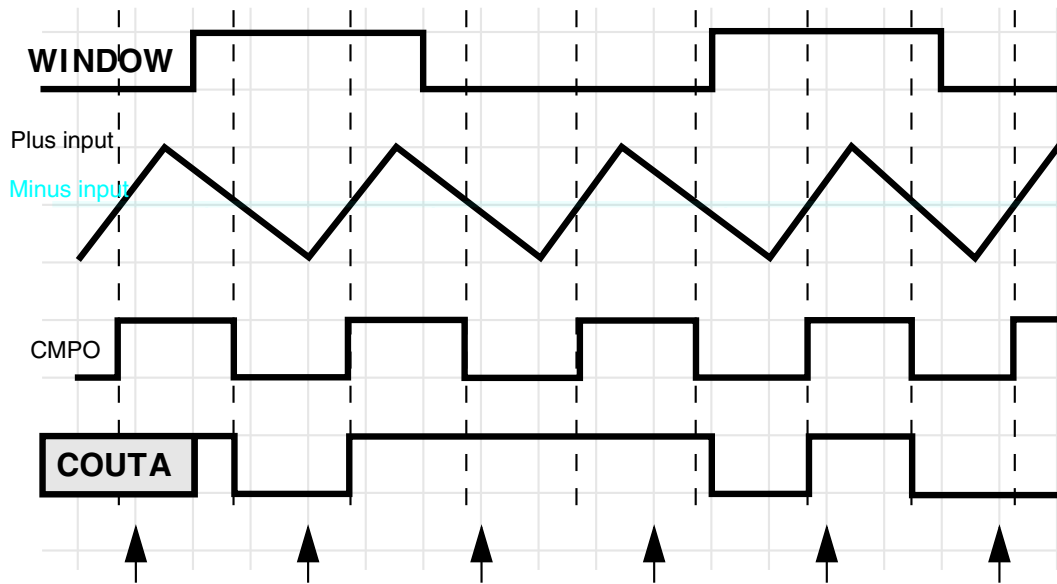


Figure 29-20. Windowed mode operation

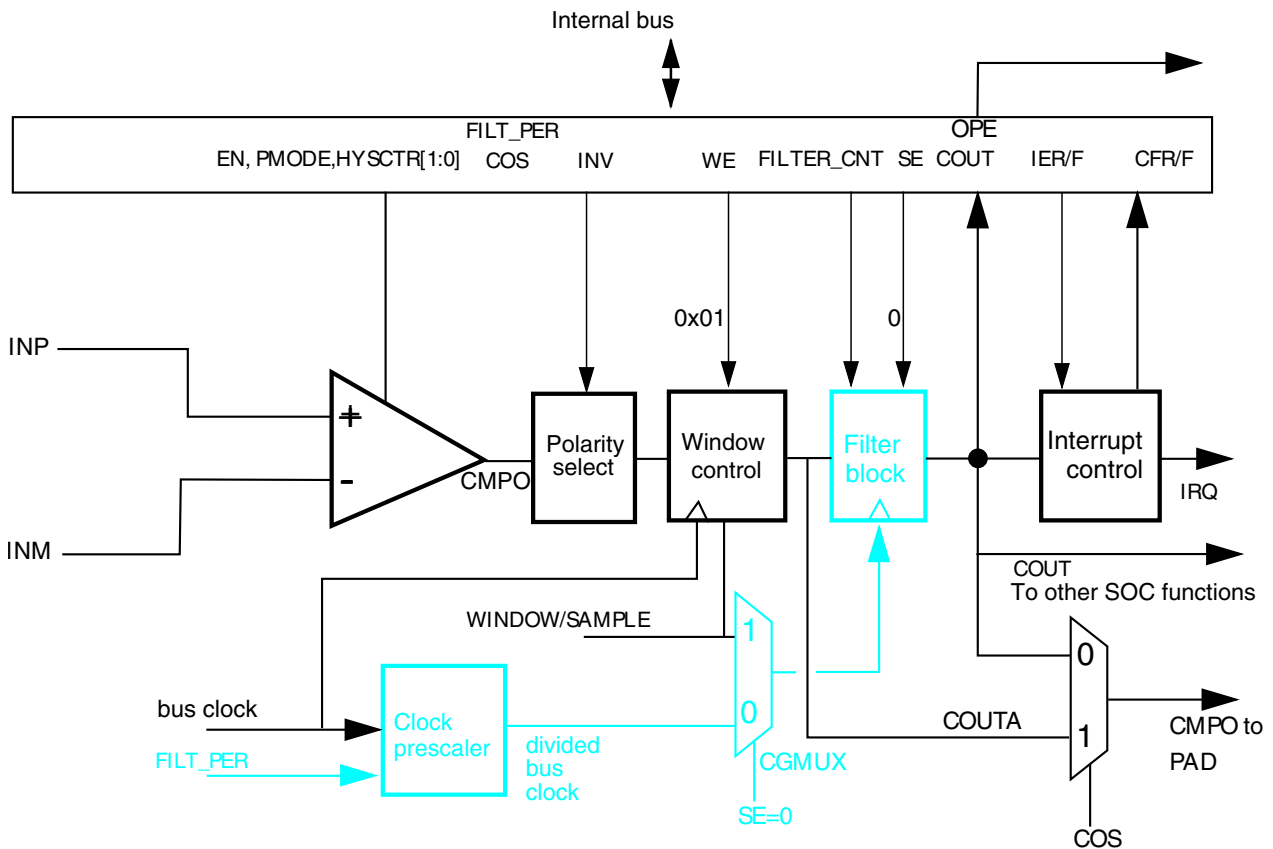


Figure 29-21. Windowed mode

For control configurations which result in disabling the filter block, see [Filter Block Bypass Logic](#) diagram.

When any windowed mode is active, COUTA is clocked by the bus clock whenever WINDOW = 1. The last latched value is held when WINDOW = 0.

29.8.1.6 Windowed/Resampled mode (# 6)

The following figure uses the same input stimulus shown in Figure 29-20, and adds resampling of COUTA to generate COUT. Samples are taken at the time points indicated by the arrows in the figure. Again, prop delays and latency are ignored for the sake of clarity.

This example was generated solely to demonstrate operation of the comparator in windowed/resampled mode, and does not reflect any specific application. Depending upon the sampling rate and window placement, COUT may not see zero-crossing events detected by the analog comparator. Sampling period and/or window placement must be carefully considered for a given application.

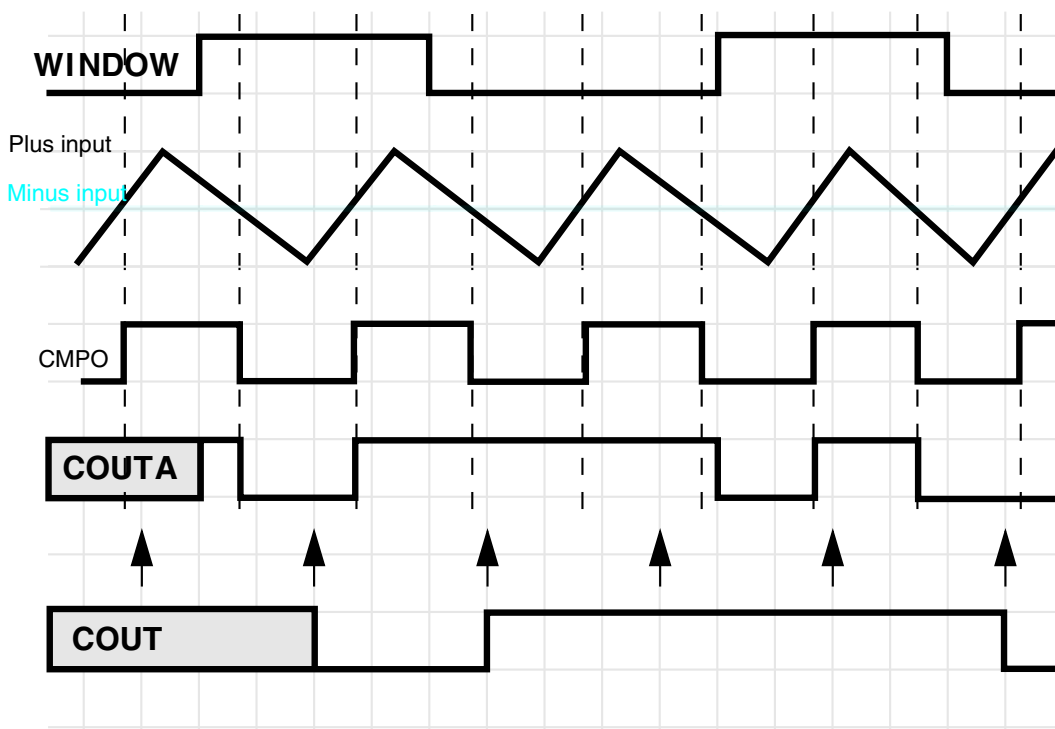


Figure 29-22. Windowed/resampled mode operation

This mode of operation results in an unfiltered string of comparator samples where the interval between the samples is determined by FPR[FILT_PER] and the bus clock rate. Configuration for this mode is virtually identical to that for the Windowed/Filtered Mode shown in the next section. The only difference is that the value of CR0[FILTER_CNT] must be 1.

29.8.1.7 Windowed/Filtered mode (#7)

This is the most complex mode of operation for the comparator block, as it uses both windowing and filtering features. It also has the highest latency of any of the modes. This can be approximated: up to 1 bus clock synchronization in the window function + $((CR0[FILTER_CNT] * FPR[FILT_PER]) + 1) * \text{bus clock}$ for the filter function.

When any windowed mode is active, COUTA is clocked by the bus clock whenever WINDOW = 1. The last latched value is held when WINDOW = 0.

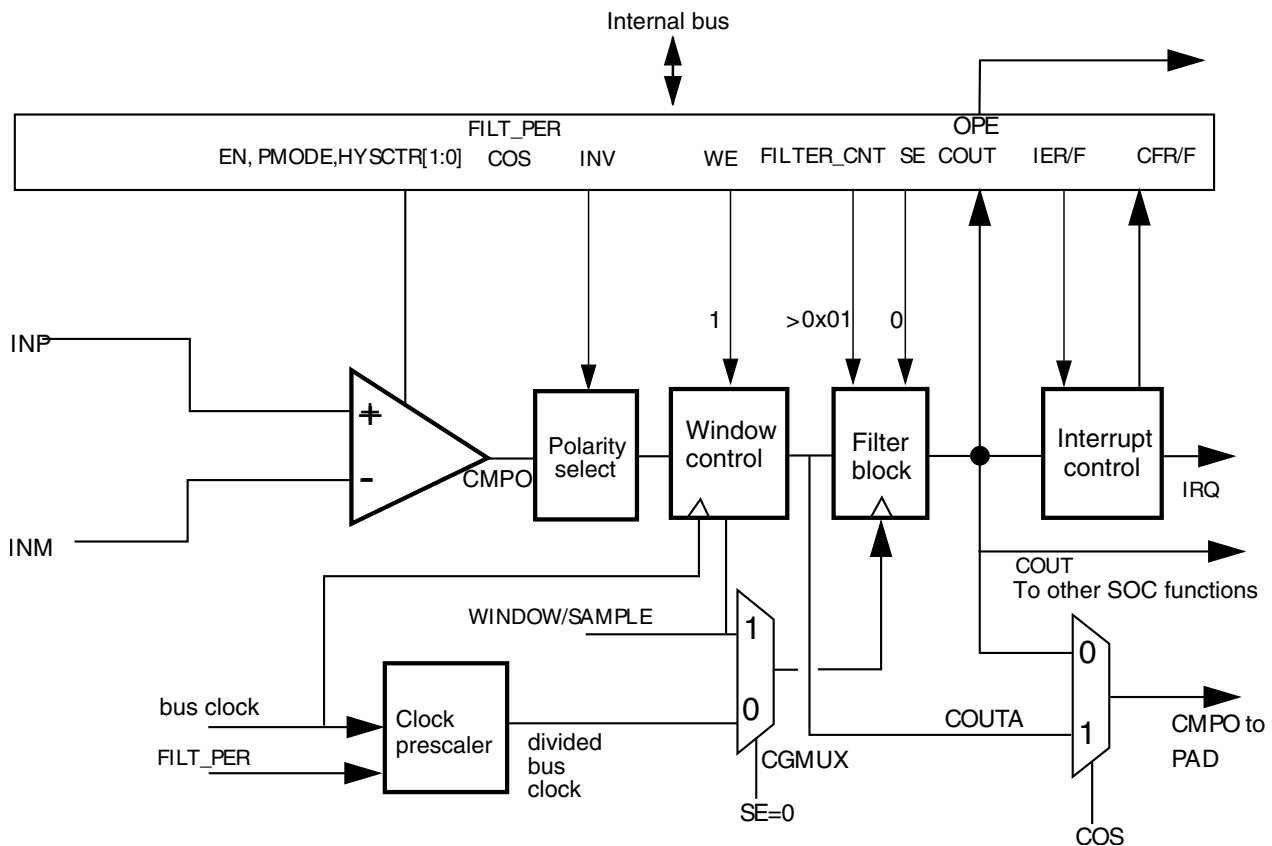


Figure 29-23. Windowed/Filtered mode

29.8.2 Power modes

29.8.2.1 Wait mode operation

During Wait and VLPW modes, the CMP, if enabled, continues to operate normally and a CMP interrupt can wake the MCU.

29.8.2.2 Stop mode operation

Depending on clock restrictions related to the MCU core or core peripherals, the MCU is brought out of stop when a compare event occurs and the corresponding interrupt is enabled. Similarly, if CR1[OPE] is enabled, the comparator output operates as in the normal operating mode and comparator output is placed onto the external pin. In Stop modes, the comparator can be operational in both:

- High-Speed (HS) Comparison mode when CR1[PMODE] = 1
- Low-Speed (LS) Comparison mode when CR1[PMODE] = 0

It is recommended to use the LS mode to minimize power consumption.

If stop is exited with a reset, all comparator registers are put into their reset state.

29.8.2.3 Low-Leakage mode operation

When the chip is in Low-Leakage modes:

- The CMP module is partially functional and is limited to Low-Speed mode, regardless of CR1[PMODE] setting
- Windowed, Sampled, and Filtered modes are not supported
- The CMP output pin is latched and does not reflect the compare output state.

The positive- and negative-input voltage can be supplied from external pins or the DAC output. The MCU can be brought out of the Low-Leakage mode if a compare event occurs and the CMP interrupt is enabled. After wakeup from low-leakage modes, the CMP module is in the reset state except for SCR[CFF] and SCR[CFR].

29.8.2.4 Background Debug Mode Operation

When the microcontroller is in active background debug mode, the CMP continues to operate normally.

29.8.3 Startup and operation

A typical startup sequence is as follows.

The time required to stabilize COUT will be the power-on delay of the comparators plus the largest propagation delay from a selected analog source through the analog comparator, windowing function and filter. See the Data Sheets for power-on delays of the comparators. The windowing function has a maximum of one bus clock period delay. The filter delay is specified in the [Low-pass filter](#).

During operation, the propagation delay of the selected data paths must always be considered. It may take many bus clock cycles for COUT and SCR[CFR]/SCR[CFF] to reflect an input change or a configuration change to one of the components involved in the data path.

When programmed for filtering modes, COUT will initially be equal to 0, until sufficient clock cycles have elapsed to fill all stages of the filter. This occurs even if COUTA is at a logic 1.

29.8.4 Low-pass filter

The low-pass filter operates on the unfiltered and unsynchronized and optionally inverted comparator output COUTA and generates the filtered and synchronized output COUT. Both COUTA and COUT can be configured as module outputs and are used for different purposes within the system.

Synchronization and edge detection are always used to determine status register bit values. They also apply to COUT for all sampling and windowed modes. Filtering can be performed using an internal timebase defined by FPR[FILT_PER], or using an external SAMPLE input to determine sample time.

The need for digital filtering and the amount of filtering is dependent on user requirements. Filtering can become more useful in the absence of an external hysteresis circuit. Without external hysteresis, high-frequency oscillations can be generated at COUTA when the selected INM and INP input voltages differ by less than the offset voltage of the differential comparator.

29.8.4.1 Enabling filter modes

Filter modes can be enabled by:

- Setting CR0[FILTER_CNT] > 0x01 and
- Setting FPR[FILT_PER] to a nonzero value or setting CR1[SE]=1

If using the divided bus clock to drive the filter, it will take samples of COUTA every FPR[FILT_PER] bus clock cycles.

Functional description

The filter output will be at logic 0 when first initialized, and will subsequently change when all the consecutive CR0[FILTER_CNT] samples agree that the output value has changed. In other words, SCR[COUTA] will be 0 for some initial period, even when COUTA is at logic 1.

Setting both CR1[SE] and FPR[FILT_PER] to 0 disables the filter and eliminates switching current associated with the filtering process.

Note

Always switch to this setting prior to making any changes in filter parameters. This resets the filter to a known state. Switching CR0[FILTER_CNT] on the fly without this intermediate step can result in unexpected behavior.

If CR1[SE]=1, the filter takes samples of COUTA on each positive transition of the sample input. The output state of the filter changes when all the consecutive CR0[FILTER_CNT] samples agree that the output value has changed.

29.8.4.2 Latency issues

The value of FPR[FILT_PER] or SAMPLE period must be set such that the sampling period is just longer than the period of the expected noise. This way a noise spike will corrupt only one sample. The value of CR0[FILTER_CNT] must be chosen to reduce the probability of noisy samples causing an incorrect transition to be recognized. The probability of an incorrect transition is defined as the probability of an incorrect sample raised to the power of CR0[FILTER_CNT].

The values of FPR[FILT_PER] or SAMPLE period and CR0[FILTER_CNT] must also be traded off against the desire for minimal latency in recognizing actual comparator output transitions. The probability of detecting an actual output change within the nominal latency is the probability of a correct sample raised to the power of CR0[FILTER_CNT].

The following table summarizes maximum latency values for the various modes of operation *in the absence of noise*. Filtering latency is restarted each time an actual output transition is masked by noise.

Table 29-16. Comparator sample/filter maximum latencies

Mode #	CR1[EN]	CR1[WE]	CR1[SE]	CR0[FILTER_CNT]	FPR[FILT_PER]	Operation	Maximum latency ¹
1	0	X	X	X	X	Disabled	N/A

Table continues on the next page...

Table 29-16. Comparator sample/filter maximum latencies (continued)

Mode #	CR1[EN]	CR1[WE]	CR1[SE]	CR0[FILTER_CNT]	FPR[FILT_PER]	Operation	Maximum latency ¹
2A	1	0	0	0x00	X	Continuous Mode	T_{PD}
2B	1	0	0	X	0x00		
3A	1	0	1	0x01	X	Sampled, Non-Filtered mode	$T_{PD} + T_{SAMPLE} + T_{per}$
3B	1	0	0	0x01	> 0x00		$T_{PD} + (FPR[FILT_PER] * T_{per}) + T_{per}$
4A	1	0	1	> 0x01	X	Sampled, Filtered mode	$T_{PD} + (CR0[FILTER_CNT] * T_{SAMPLE}) + T_{per}$
4B	1	0	0	> 0x01	> 0x00		$T_{PD} + (CR0[FILTER_CNT] * FPR[FILT_PER] * T_{per}) + T_{per}$
5A	1	1	0	0x00	X	Windowed mode	$T_{PD} + T_{per}$
5B	1	1	0	X	0x00		$T_{PD} + T_{per}$
6	1	1	0	0x01	0x01 - 0xFF	Windowed / Resampled mode	$T_{PD} + (FPR[FILT_PER] * T_{per}) + 2T_{per}$
7	1	1	0	> 0x01	0x01 - 0xFF	Windowed / Filtered mode	$T_{PD} + (CR0[FILTER_CNT] * FPR[FILT_PER] * T_{per}) + 2T_{per}$

1. T_{PD} represents the intrinsic delay of the analog component plus the polarity select logic. T_{SAMPLE} is the clock period of the external sample clock. T_{per} is the period of the bus clock.

29.9 CMP interrupts

The CMP module is capable of generating an interrupt on either the rising- or falling-edge of the comparator output, or both. The following table gives the conditions in which the interrupt request is asserted and deasserted.

When	Then
SCR[IER] and SCR[CFR] are set	The interrupt request is asserted
SCR[IEF] and SCR[CFF] are set	The interrupt request is asserted
SCR[IER] and SCR[CFR] are cleared for a rising-edge interrupt	The interrupt request is deasserted
SCR[IEF] and SCR[CFF] are cleared for a falling-edge interrupt	The interrupt request is deasserted

29.10 DMA support

Normally, the CMP generates a CPU interrupt if there is a change on the COUT. When DMA support is enabled by setting SCR[DMAEN] and the interrupt is enabled by setting SCR[IER], SCR[IEF], or both, the corresponding change on COUT forces a DMA

transfer request rather than a CPU interrupt instead. When the DMA has completed the transfer, it sends a transfer completing indicator that deasserts the DMA transfer request and clears the flag to allow a subsequent change on comparator output to occur and force another DMA request.

The comparator can remain functional in STOP modes. When DMA support is enabled by setting SCR[DMAEN] and the interrupt is enabled by setting SCR[IER], SCR[IEF], or both, the corresponding change on COUT forces a DMA transfer request to wake up the system from STOP modes. After the data transfer has finished, system will go back to STOP modes. Refer to DMA chapters in the device reference manual for the asynchronous DMA function for details.

29.11 CMP Asynchronous DMA support

The comparator can remain functional in STOP modes. When DMA support is enabled by setting SCR[DMAEN] and the interrupt is enabled by setting SCR[IER], SCR[IEF], or both, the corresponding change on COUT forces a DMA transfer request to wake up the system from STOP modes. After the data transfer has finished, system will go back to STOP modes. Refer to DMA chapters in the device reference manual for the asynchronous DMA function for details.

29.12 Digital-to-analog converter

The following figure shows the block diagram of the DAC module. It contains a 64-tap resistor ladder network and a 64-to-1 multiplexer, which selects an output voltage from one of 64 distinct levels that outputs from DACO. It is controlled through the DAC Control Register (DACCR). Its supply reference source can be selected from two sources V_{in1} and V_{in2} . The module can be powered down or disabled when not in use. When in Disabled mode, DACO is connected to the analog ground.

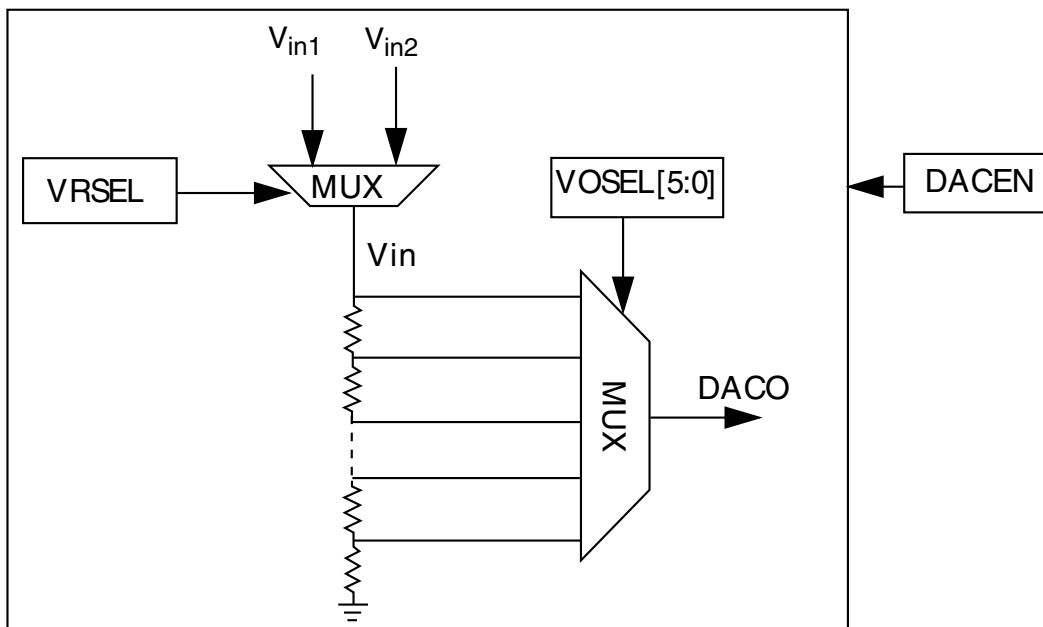


Figure 29-24. 6-bit DAC block diagram

29.13 DAC functional description

This section provides DAC functional description.

29.13.1 Voltage reference source select

- V_{in1} connects to the primary voltage source as supply reference of 64 tap resistor ladder
- V_{in2} connects to an alternate voltage source

29.14 DAC resets

This module has a single reset input, corresponding to the chip-wide peripheral reset.

29.15 DAC clocks

This module has a single clock input, the bus clock.

29.16 DAC interrupts

This module has no interrupts.

29.17 CMP Trigger Mode

CMP and DAC are configured to CMP Trigger mode when `CMP_CR1[TRIGM]` is set to 1. In addition, the CMP must be enabled. If the DAC is to be used as a reference to the CMP, it must also be enabled.

CMP Trigger mode depends on an external timer resource to periodically enable the CMP and 6-bit DAC in order to generate a triggered compare.

Upon setting `TRIGM`, the CMP and DAC are placed in a standby state until an external timer resource trigger is received.

See the chip configuration chapter for details about the external timer resource.

Chapter 30

12-bit Digital-to-Analog Converter (DAC)

30.1 Introduction

NOTE

For the chip-specific implementation details of this module's instances, see the chip configuration information.

The 12-bit digital-to-analog converter (DAC) is a low-power, general-purpose DAC. The output of the DAC can be placed on an external pin or set as one of the inputs to the analog comparator, op-amps, or ADC.

30.2 Features

The features of the DAC module include:

- On-chip programmable reference generator output. The voltage output range is from $1/4096 V_{in}$ to V_{in} , and the step is $1/4096 V_{in}$, where V_{in} is the input voltage.
- V_{in} can be selected from two reference sources
- Static operation in Normal Stop mode
- 2-word data buffer supported with multiple operation modes
- DMA support

30.3 Block diagram

The block diagram of the DAC module is as follows:

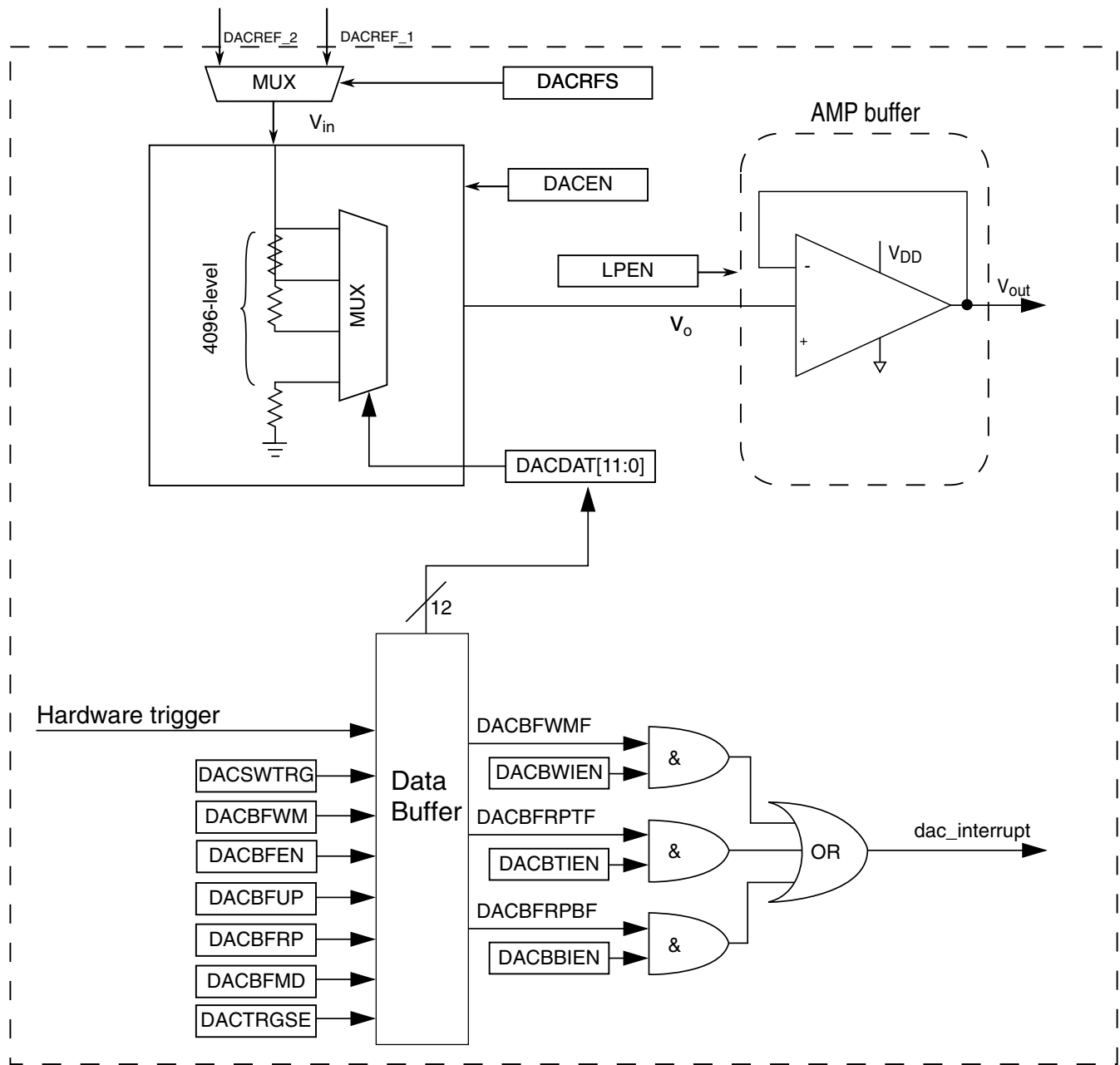


Figure 30-1. DAC block diagram

30.4 Memory map/register definition

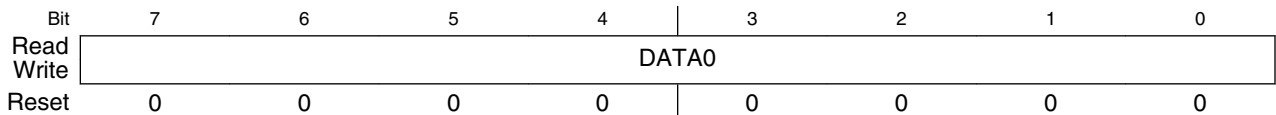
The DAC has registers to control analog comparator and programmable voltage divider to perform the digital-to-analog functions.

DAC memory map

Absolute address (hex)	Register name	Width (in bits)	Access	Reset value	Section/page
4003_F000	DAC Data Low Register (DAC0_DAT0L)	8	R/W	00h	30.4.1/543
4003_F001	DAC Data High Register (DAC0_DAT0H)	8	R/W	00h	30.4.2/543
4003_F002	DAC Data Low Register (DAC0_DAT1L)	8	R/W	00h	30.4.1/543
4003_F003	DAC Data High Register (DAC0_DAT1H)	8	R/W	00h	30.4.2/543
4003_F020	DAC Status Register (DAC0_SR)	8	R/W	02h	30.4.3/544
4003_F021	DAC Control Register (DAC0_C0)	8	R/W	00h	30.4.4/544
4003_F022	DAC Control Register 1 (DAC0_C1)	8	R/W	00h	30.4.5/546
4003_F023	DAC Control Register 2 (DAC0_C2)	8	R/W	01h	30.4.6/546

30.4.1 DAC Data Low Register (DACx_DATnL)

Address: 4003_F000h base + 0h offset + (2d × i), where i=0d to 1d

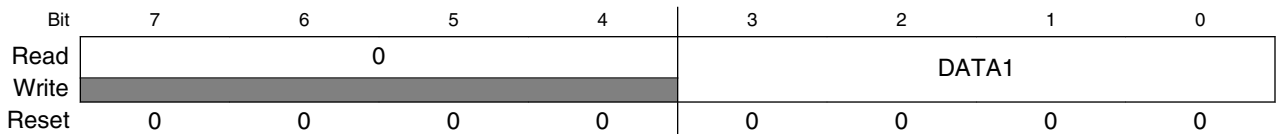


DACx_DATnL field descriptions

Field	Description
7–0 DATA0	When the DAC buffer is not enabled, DATA[11:0] controls the output voltage based on the following formula: $V_{out} = V_{in} * (1 + DACDAT0[11:0])/4096$ When the DAC buffer is enabled, DATA is mapped to the 16-word buffer.

30.4.2 DAC Data High Register (DACx_DATnH)

Address: 4003_F000h base + 1h offset + (2d × i), where i=0d to 1d



DACx_DATnH field descriptions

Field	Description
7–4 Reserved	This field is reserved. This read-only field is reserved and always has the value 0.
3–0 DATA1	When the DAC Buffer is not enabled, DATA[11:0] controls the output voltage based on the following formula. $V_{out} = V_{in} * (1 + DACDAT0[11:0])/4096$ When the DAC buffer is enabled, DATA[11:0] is mapped to the 16-word buffer.

30.4.3 DAC Status Register (DACx_SR)

If DMA is enabled, the flags can be cleared automatically by DMA when the DMA request is done. Writing 0 to a field clears it whereas writing 1 has no effect. After reset, DACBFRPTF is set and can be cleared by software, if needed. The flags are set only when the data buffer status is changed.

NOTE

Do not use 32/16-bit accesses to this register.

Address: 4003_F000h base + 20h offset = 4003_F020h

Bit	7	6	5	4	3	2	1	0
Read	0						DACBFRPT	DACBFRPB
Write							F	F
Reset	0	0	0	0	0	0	1	0

DACx_SR field descriptions

Field	Description
7–2 Reserved	This field is reserved. This read-only field is reserved and always has the value 0.
1 DACBFRPTF	DAC Buffer Read Pointer Top Position Flag 0 The DAC buffer read pointer is not zero. 1 The DAC buffer read pointer is zero.
0 DACBFRPBF	DAC Buffer Read Pointer Bottom Position Flag 0 The DAC buffer read pointer is not equal to C2[DACBFUP]. 1 The DAC buffer read pointer is equal to C2[DACBFUP].

30.4.4 DAC Control Register (DACx_C0)

NOTE

Do not use 32- or 16-bit accesses to this register.

Address: 4003_F000h base + 21h offset = 4003_F021h

Bit	7	6	5	4	3	2	1	0
Read	DACEN	DACRFS	DACTRGSE	0	LPEN	0	DACBTIEN	DACBBIEN
Write			L	DACSWTRG				
Reset	0	0	0	0	0	0	0	0

DACx_C0 field descriptions

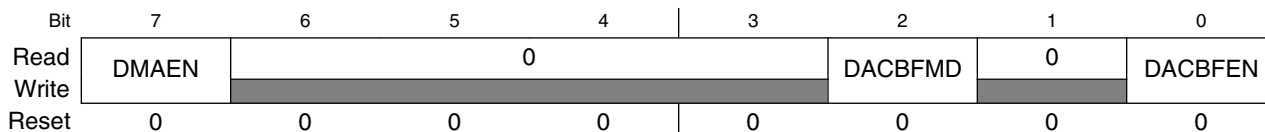
Field	Description
7 DACEN	<p>DAC Enable</p> <p>Starts the Programmable Reference Generator operation.</p> <p>0 The DAC system is disabled. 1 The DAC system is enabled.</p>
6 DACRFS	<p>DAC Reference Select</p> <p>0 The DAC selects DACREF_1 as the reference voltage. 1 The DAC selects DACREF_2 as the reference voltage.</p>
5 DACTRGSEL	<p>DAC Trigger Select</p> <p>0 The DAC hardware trigger is selected. 1 The DAC software trigger is selected.</p>
4 DACSCTR	<p>DAC Software Trigger</p> <p>Active high. This is a write-only field, which always reads 0. If DAC software trigger is selected and buffer is enabled, writing 1 to this field will advance the buffer read pointer once.</p> <p>0 The DAC soft trigger is not valid. 1 The DAC soft trigger is valid.</p>
3 LPEN	<p>DAC Low Power Control</p> <p>NOTE: See the 12-bit DAC electrical characteristics of the device data sheet for details on the impact of the modes below.</p> <p>0 High-Power mode 1 Low-Power mode</p>
2 Reserved	<p>This field is reserved. This read-only field is reserved and always has the value 0.</p>
1 DACBTIEN	<p>DAC Buffer Read Pointer Top Flag Interrupt Enable</p> <p>0 The DAC buffer read pointer top flag interrupt is disabled. 1 The DAC buffer read pointer top flag interrupt is enabled.</p>
0 DACBBIEN	<p>DAC Buffer Read Pointer Bottom Flag Interrupt Enable</p> <p>0 The DAC buffer read pointer bottom flag interrupt is disabled. 1 The DAC buffer read pointer bottom flag interrupt is enabled.</p>

30.4.5 DAC Control Register 1 (DACx_C1)

NOTE

Do not use 32- or 16-bit accesses to this register.

Address: 4003_F000h base + 22h offset = 4003_F022h



DACx_C1 field descriptions

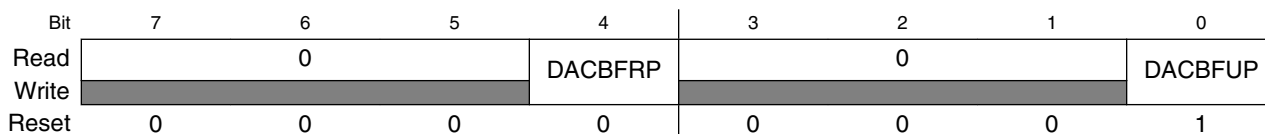
Field	Description
7 DMAEN	DMA Enable Select 0 DMA is disabled. 1 DMA is enabled. When DMA is enabled, the DMA request will be generated by original interrupts. The interrupts will not be presented on this module at the same time.
6-3 Reserved	This field is reserved. This read-only field is reserved and always has the value 0.
2 DACBFMD	DAC Buffer Work Mode Select 0 Normal mode 1 One-Time Scan mode
1 Reserved	This field is reserved. This read-only field is reserved and always has the value 0.
0 DACBFEN	DAC Buffer Enable 0 Buffer read pointer is disabled. The converted data is always the first word of the buffer. 1 Buffer read pointer is enabled. The converted data is the word that the read pointer points to. It means converted data can be from any word of the buffer.

30.4.6 DAC Control Register 2 (DACx_C2)

NOTE

Do not use 32- or 16-bit accesses to this register.

Address: 4003_F000h base + 23h offset = 4003_F023h



DACx_C2 field descriptions

Field	Description
7–5 Reserved	This field is reserved. This read-only field is reserved and always has the value 0.
4 DACBFRP	DAC Buffer Read Pointer Keeps the current value of the buffer read pointer.
3–1 Reserved	This field is reserved. This read-only field is reserved and always has the value 0.
0 DACBFUP	DAC Buffer Upper Limit Selects the upper limit of the DAC buffer. The buffer read pointer cannot exceed it.

30.5 Functional description

The 12-bit DAC module can select one of the two reference inputs—DACREF_1 and DACREF_2 as the DAC reference voltage, V_{in} by C0[DACRFS]. See the module introduction for information on the source for DACREF_1 and DACREF_2.

When the DAC is enabled, it converts the data in DACDAT0[11:0] or the data from the DAC data buffer to a stepped analog output voltage. The output voltage range is from V_{in} to $V_{in}/4096$, and the step is $V_{in}/4096$.

30.5.1 DAC data buffer operation

When the DAC is enabled and the buffer is not enabled, the DAC module always converts the data in DAT0 to analog output voltage.

When both the DAC and the buffer are enabled, the DAC converts the data in the data buffer to analog output voltage. The data buffer read pointer advances to the next word whenever any hardware or software trigger event occurs. Refer to [Introduction](#) for the hardware trigger connection.

The data buffer can be configured to operate in Normal mode, Swing mode, or One-Time Scan mode. When the buffer operation is switched from one mode to another, the read pointer does not change. The read pointer can be set to any value between 0 and C2[DACBFUP] by writing C2[DACBFRP].

30.5.1.1 DAC data buffer interrupts

There are several interrupts and associated flags that can be configured for the DAC buffer. SR[DACBFRPBF] is set when the DAC buffer read pointer reaches the DAC buffer upper limit, that is, C2[DACBFRP] = C2[DACBFUP]. SR[DACBFRPTF] is set when the DAC read pointer is equal to the start position, 0.

30.5.1.2 Modes of DAC data buffer operation

The following table describes the different modes of data buffer operation for the DAC module.

Table 30-23. Modes of DAC data buffer operation

Modes	Description
Buffer Normal mode	This is the default mode. The buffer works as a circular buffer. The read pointer increases by one, every time the trigger occurs. When the read pointer reaches the upper limit, it goes to 0 directly in the next trigger event.
Buffer One-time Scan mode	The read pointer increases by 1 every time the trigger occurs. When it reaches the upper limit, it stops there. If read pointer is reset to the address other than the upper limit, it will increase to the upper address and stop there again. NOTE: If the software set the read pointer to the upper limit, the read pointer will not advance in this mode.

30.5.2 DMA operation

When DMA is enabled, DMA requests are generated instead of interrupt requests. The DMA Done signal clears the DMA request.

The status register flags are still set and are cleared automatically when the DMA completes.

30.5.3 Resets

During reset, the DAC is configured in the default mode and is disabled.

30.5.4 Low-Power mode operation

The following table shows the wait mode and the stop mode operation of the DAC module.

Table 30-24. Modes of operation

Modes of operation	Description
Wait mode	The DAC will operate normally, if enabled.
Stop mode	<p>If enabled, the DAC module continues to operate in Normal Stop mode and the output voltage will hold the value before stop.</p> <p>In low-power stop modes, the DAC is fully shut down.</p>

NOTE

The assignment of module modes to core modes is chip-specific. For module-to-core mode assignments, see the chapter that describes how modules are configured.

Chapter 31

Timer/PWM Module (TPM)

31.1 Introduction

The TPM (Timer/PWM Module) is a two to eight channel timer which supports input capture, output compare, and the generation of PWM signals to control electric motor and power management applications. The counter, compare and capture registers are clocked by an asynchronous clock that can remain enabled in low power modes.

31.1.1 TPM Philosophy

The TPM is built upon a very simple timer (HCS08 Timer PWM Module – TPM) used for many years on Freescale's 8-bit microcontrollers. The TPM extends the functionality to support operation in low power modes by clocking the counter, compare and capture registers from an asynchronous clock that can remain functional in low power modes.

31.1.2 Features

The TPM features include:

- TPM clock mode is selectable
 - Can increment on every edge of the asynchronous counter clock
 - Can increment on rising edge of an external clock input synchronized to the asynchronous counter clock
- Prescaler divide-by 1, 2, 4, 8, 16, 32, 64, or 128
- TPM includes a 16-bit counter

- It can be a free-running counter or modulo counter
- The counting can be up or up-down
- Includes 6 channels that can be configured for input capture, output compare, or edge-aligned PWM mode
 - In input capture mode the capture can occur on rising edges, falling edges or both edges
 - In output compare mode the output signal can be set, cleared, pulsed, or toggled on match
 - All channels can be configured for center-aligned PWM mode
- Support the generation of an interrupt and/or DMA request per channel
- Support the generation of an interrupt and/or DMA request when the counter overflows
- Support selectable trigger input to optionally reset or cause the counter to start incrementing.
 - The counter can also optionally stop incrementing on counter overflow
- Support the generation of hardware triggers when the counter overflows and per channel

31.1.3 Modes of Operation

During debug mode, the TPM can be configured to temporarily pause all counting until the core returns to normal user operating mode or to operate normally. When the counter is paused, trigger inputs and input capture events are ignored.

During doze mode, the TPM can be configured to operate normally or to pause all counting for the duration of doze mode. When the counter is paused, trigger inputs and input capture events are ignored.

During stop mode, the TPM counter clock can remain functional and the TPM can generate an asynchronous interrupt to exit the MCU from stop mode.

31.1.4 Block Diagram

The TPM uses one input/output (I/O) pin per channel, CH_n (TPM channel (n)) where n is the channel number.

The following figure shows the TPM structure. The central component of the TPM is the 16-bit counter with programmable final value and its counting can be up or up-down.

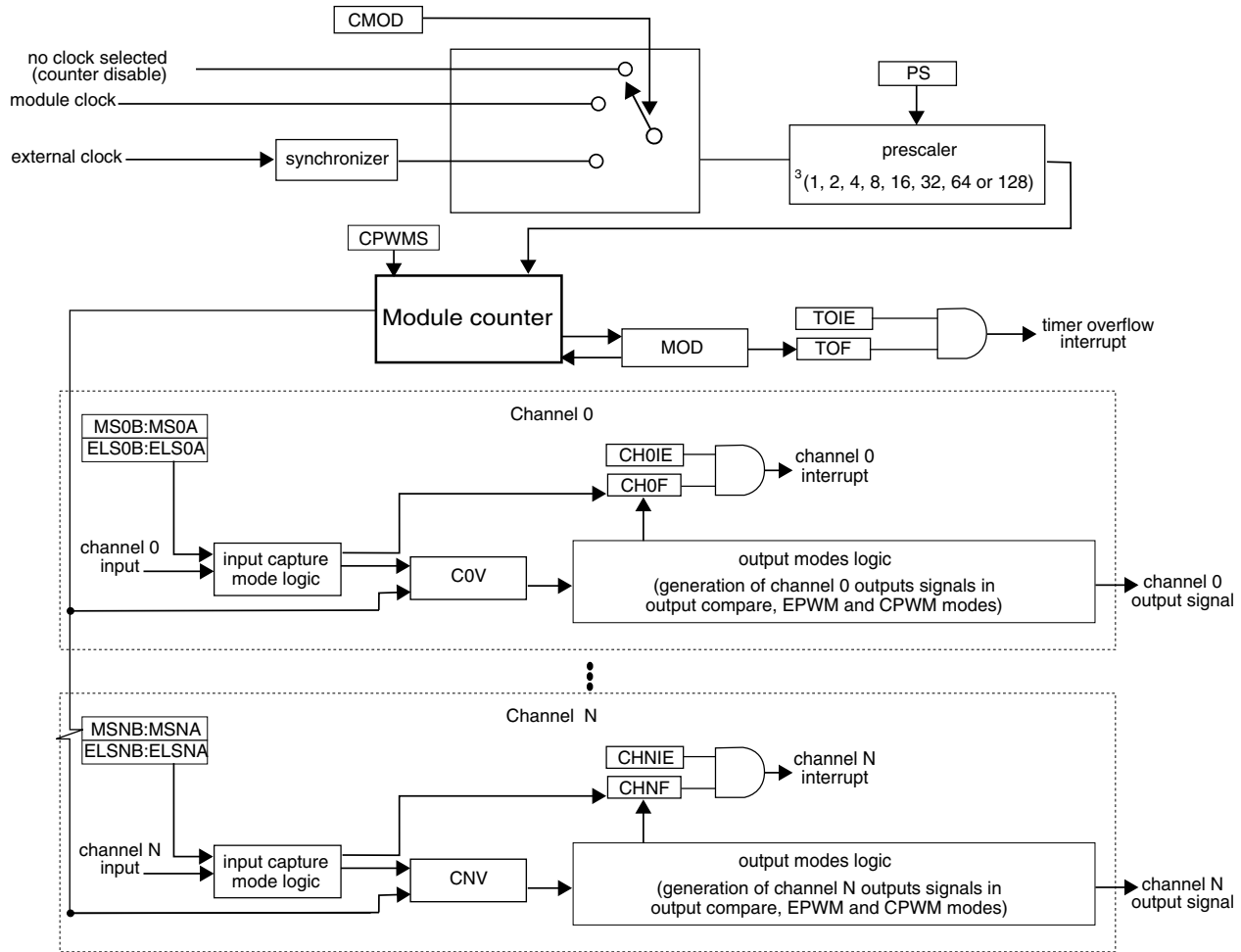


Figure 31-1. TPM block diagram

31.2 TPM Signal Descriptions

Table 31-1 shows the user-accessible signals for the TPM.

Table 31-1. TPM signal descriptions

Signal	Description	I/O
TPM_EXTCLK	External clock. TPM external clock can be selected to increment the TPM counter on every rising edge synchronized to the counter clock.	I
TPM_CHn	TPM channel (n = 5 to 0)	I/O

31.2.1 TPM_EXTCLK — TPM External Clock

The rising edge of the external input signal is used to increment the TPM counter if selected by CMOD[1:0] bits in the SC register. This input signal must be less than half of the TPM counter clock frequency. The TPM counter prescaler selection and settings are also used when an external input is selected.

31.2.2 TPM_CHn — TPM Channel (n) I/O Pin

Each TPM channel can be configured to operate either as input or output. The direction associated with each channel, input or output, is selected according to the mode assigned for that channel.

31.3 Memory Map and Register Definition

This section provides a detailed description of all TPM registers.

Attempting to access a reserved register location in the TPM memory map will generate a bus error.

TPM memory map

Absolute address (hex)	Register name	Width (in bits)	Access	Reset value	Section/page
4003_8000	Status and Control (TPM0_SC)	32	R/W	0000_0000h	31.3.1/556
4003_8004	Counter (TPM0_CNT)	32	R/W	0000_0000h	31.3.2/557
4003_8008	Modulo (TPM0_MOD)	32	R/W	0000_FFFFh	31.3.3/558
4003_800C	Channel (n) Status and Control (TPM0_C0SC)	32	R/W	0000_0000h	31.3.4/559
4003_8010	Channel (n) Value (TPM0_C0V)	32	R/W	0000_0000h	31.3.5/561
4003_8014	Channel (n) Status and Control (TPM0_C1SC)	32	R/W	0000_0000h	31.3.4/559
4003_8018	Channel (n) Value (TPM0_C1V)	32	R/W	0000_0000h	31.3.5/561
4003_801C	Channel (n) Status and Control (TPM0_C2SC)	32	R/W	0000_0000h	31.3.4/559
4003_8020	Channel (n) Value (TPM0_C2V)	32	R/W	0000_0000h	31.3.5/561
4003_8024	Channel (n) Status and Control (TPM0_C3SC)	32	R/W	0000_0000h	31.3.4/559
4003_8028	Channel (n) Value (TPM0_C3V)	32	R/W	0000_0000h	31.3.5/561
4003_802C	Channel (n) Status and Control (TPM0_C4SC)	32	R/W	0000_0000h	31.3.4/559
4003_8030	Channel (n) Value (TPM0_C4V)	32	R/W	0000_0000h	31.3.5/561
4003_8034	Channel (n) Status and Control (TPM0_C5SC)	32	R/W	0000_0000h	31.3.4/559
4003_8038	Channel (n) Value (TPM0_C5V)	32	R/W	0000_0000h	31.3.5/561
4003_8050	Capture and Compare Status (TPM0_STATUS)	32	R/W	0000_0000h	31.3.6/561
4003_8084	Configuration (TPM0_CONF)	32	R/W	0000_0000h	31.3.7/563

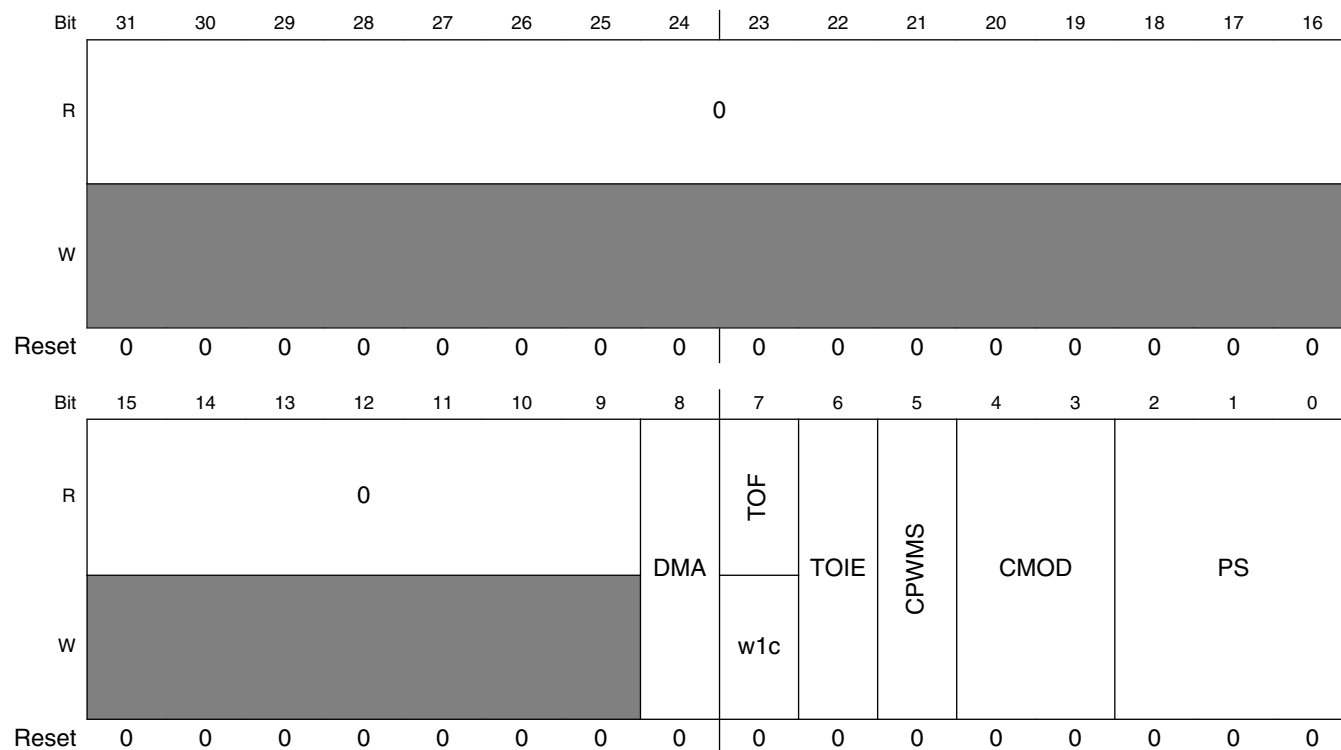
TPM memory map (continued)

Absolute address (hex)	Register name	Width (in bits)	Access	Reset value	Section/page
4003_9000	Status and Control (TPM1_SC)	32	R/W	0000_0000h	31.3.1/556
4003_9004	Counter (TPM1_CNT)	32	R/W	0000_0000h	31.3.2/557
4003_9008	Modulo (TPM1_MOD)	32	R/W	0000_FFFFh	31.3.3/558
4003_900C	Channel (n) Status and Control (TPM1_C0SC)	32	R/W	0000_0000h	31.3.4/559
4003_9010	Channel (n) Value (TPM1_C0V)	32	R/W	0000_0000h	31.3.5/561
4003_9014	Channel (n) Status and Control (TPM1_C1SC)	32	R/W	0000_0000h	31.3.4/559
4003_9018	Channel (n) Value (TPM1_C1V)	32	R/W	0000_0000h	31.3.5/561
4003_901C	Channel (n) Status and Control (TPM1_C2SC)	32	R/W	0000_0000h	31.3.4/559
4003_9020	Channel (n) Value (TPM1_C2V)	32	R/W	0000_0000h	31.3.5/561
4003_9024	Channel (n) Status and Control (TPM1_C3SC)	32	R/W	0000_0000h	31.3.4/559
4003_9028	Channel (n) Value (TPM1_C3V)	32	R/W	0000_0000h	31.3.5/561
4003_902C	Channel (n) Status and Control (TPM1_C4SC)	32	R/W	0000_0000h	31.3.4/559
4003_9030	Channel (n) Value (TPM1_C4V)	32	R/W	0000_0000h	31.3.5/561
4003_9034	Channel (n) Status and Control (TPM1_C5SC)	32	R/W	0000_0000h	31.3.4/559
4003_9038	Channel (n) Value (TPM1_C5V)	32	R/W	0000_0000h	31.3.5/561
4003_9050	Capture and Compare Status (TPM1_STATUS)	32	R/W	0000_0000h	31.3.6/561
4003_9084	Configuration (TPM1_CONF)	32	R/W	0000_0000h	31.3.7/563
4003_A000	Status and Control (TPM2_SC)	32	R/W	0000_0000h	31.3.1/556
4003_A004	Counter (TPM2_CNT)	32	R/W	0000_0000h	31.3.2/557
4003_A008	Modulo (TPM2_MOD)	32	R/W	0000_FFFFh	31.3.3/558
4003_A00C	Channel (n) Status and Control (TPM2_C0SC)	32	R/W	0000_0000h	31.3.4/559
4003_A010	Channel (n) Value (TPM2_C0V)	32	R/W	0000_0000h	31.3.5/561
4003_A014	Channel (n) Status and Control (TPM2_C1SC)	32	R/W	0000_0000h	31.3.4/559
4003_A018	Channel (n) Value (TPM2_C1V)	32	R/W	0000_0000h	31.3.5/561
4003_A01C	Channel (n) Status and Control (TPM2_C2SC)	32	R/W	0000_0000h	31.3.4/559
4003_A020	Channel (n) Value (TPM2_C2V)	32	R/W	0000_0000h	31.3.5/561
4003_A024	Channel (n) Status and Control (TPM2_C3SC)	32	R/W	0000_0000h	31.3.4/559
4003_A028	Channel (n) Value (TPM2_C3V)	32	R/W	0000_0000h	31.3.5/561
4003_A02C	Channel (n) Status and Control (TPM2_C4SC)	32	R/W	0000_0000h	31.3.4/559
4003_A030	Channel (n) Value (TPM2_C4V)	32	R/W	0000_0000h	31.3.5/561
4003_A034	Channel (n) Status and Control (TPM2_C5SC)	32	R/W	0000_0000h	31.3.4/559
4003_A038	Channel (n) Value (TPM2_C5V)	32	R/W	0000_0000h	31.3.5/561
4003_A050	Capture and Compare Status (TPM2_STATUS)	32	R/W	0000_0000h	31.3.6/561
4003_A084	Configuration (TPM2_CONF)	32	R/W	0000_0000h	31.3.7/563

31.3.1 Status and Control (TPMx_SC)

SC contains the overflow status flag and control bits used to configure the interrupt enable, module configuration and prescaler factor. These controls relate to all channels within this module.

Address: Base address + 0h offset



TPMx_SC field descriptions

Field	Description
31–9 Reserved	This field is reserved. This read-only field is reserved and always has the value 0.
8 DMA	DMA Enable Enables DMA transfers for the overflow flag. 0 Disables DMA transfers. 1 Enables DMA transfers.
7 TOF	Timer Overflow Flag Set by hardware when the TPM counter equals the value in the MOD register and increments. The TOF bit is cleared by writing a 1 to TOF bit. Writing a 0 to TOF has no effect. If another LPTPM overflow occurs between the flag setting and the flag clearing, the write operation has no effect; therefore, TOF remains set indicating another overflow has occurred. In this case a TOF interrupt request is not lost due to a delay in clearing the previous TOF.

Table continues on the next page...

TPMx_SC field descriptions (continued)

Field	Description
	0 TPM counter has not overflowed. 1 TPM counter has overflowed.
6 TOIE	Timer Overflow Interrupt Enable Enables TPM overflow interrupts. 0 Disable TOF interrupts. Use software polling or DMA request. 1 Enable TOF interrupts. An interrupt is generated when TOF equals one.
5 CPWMS	Center-aligned PWM Select Selects CPWM mode. This mode configures the TPM to operate in up-down counting mode. This field is write protected. It can be written only when the counter is disabled. 0 TPM counter operates in up counting mode. 1 TPM counter operates in up-down counting mode.
4–3 CMOD	Clock Mode Selection Selects the TPM counter clock modes. When disabling the counter, this field remain set until acknowledged in the TPM clock domain. 00 TPM counter is disabled 01 TPM counter increments on every TPM counter clock 10 TPM counter increments on rising edge of TPM_EXTCLK synchronized to the TPM counter clock 11 Reserved
2–0 PS	Prescale Factor Selection Selects one of 8 division factors for the clock mode selected by CMOD. This field is write protected. It can be written only when the counter is disabled. 000 Divide by 1 001 Divide by 2 010 Divide by 4 011 Divide by 8 100 Divide by 16 101 Divide by 32 110 Divide by 64 111 Divide by 128

31.3.2 Counter (TPMx_CNT)

The CNT register contains the TPM counter value.

Reset clears the CNT register. Writing any value to COUNT also clears the counter.

When debug is active, the TPM counter does not increment unless configured otherwise.

Reading the CNT register adds two wait states to the register access due to synchronization delays.

Memory Map and Register Definition

Address: Base address + 4h offset

Bit	31	30	29	28	27	26	25	24	23	22	21	20	19	18	17	16	15	14	13	12	11	10	9	8	7	6	5	4	3	2	1	0
R	0																COUNT															
W	0																0															
Reset	0	0	0	0	0	0	0	0	0	0	0	0	0	0	0	0	0	0	0	0	0	0	0	0	0	0	0	0	0	0	0	0

TPMx_CNT field descriptions

Field	Description
31–16 Reserved	This field is reserved. This read-only field is reserved and always has the value 0.
15–0 COUNT	Counter value

31.3.3 Modulo (TPMx_MOD)

The Modulo register contains the modulo value for the TPM counter. When the TPM counter reaches the modulo value and increments, the overflow flag (TOF) is set and the next value of TPM counter depends on the selected counting method (see [Counter](#)).

Writing to the MOD register latches the value into a buffer. The MOD register is updated with the value of its write buffer according to [MOD Register Update](#) . Additional writes to the MOD write buffer are ignored until the register has been updated.

It is recommended to initialize the TPM counter (write to CNT) before writing to the MOD register to avoid confusion about when the first counter overflow will occur.

Address: Base address + 8h offset

Bit	31	30	29	28	27	26	25	24	23	22	21	20	19	18	17	16	15	14	13	12	11	10	9	8	7	6	5	4	3	2	1	0
R	0																MOD															
W	0																0															
Reset	0	0	0	0	0	0	0	0	0	0	0	0	0	0	0	0	1	1	1	1	1	1	1	1	1	1	1	1	1	1	1	1

TPMx_MOD field descriptions

Field	Description
31–16 Reserved	This field is reserved. This read-only field is reserved and always has the value 0.
15–0 MOD	Modulo value When writing this field, all bytes must be written at the same time.

31.3.4 Channel (n) Status and Control (TPMx_CnSC)

CnSC contains the channel-interrupt-status flag and control bits used to configure the interrupt enable, channel configuration, and pin function. When switching from one channel mode to a different channel mode, the channel must first be disabled and this must be acknowledged in the TPM counter clock domain.

Table 31-34. Mode, Edge, and Level Selection

CPWMS	MSnB:MSnA	ELSnB:ELSnA	Mode	Configuration
X	00	00	None	Channel disabled
X	01	00	Software compare	Pin not used for TPM
0	00	01	Input capture	Capture on Rising Edge Only
		10		Capture on Falling Edge Only
		11		Capture on Rising or Falling Edge
	01	01	Output compare	Toggle Output on match
		10		Clear Output on match
		11		Set Output on match
	10	10	Edge-aligned PWM	High-true pulses (clear Output on match, set Output on reload)
		X1		Low-true pulses (set Output on match, clear Output on reload)
	11	10	Output compare	Pulse Output low on match
				01
1	10	10	Center-aligned PWM	High-true pulses (clear Output on match-up, set Output on match-down)
		01		Low-true pulses (set Output on match-up, clear Output on match-down)

Address: Base address + Ch offset + (8d × i), where i=0d to 5d

Bit	31	30	29	28	27	26	25	24	23	22	21	20	19	18	17	16
R	0															
W																
Reset	0	0	0	0	0	0	0	0	0	0	0	0	0	0	0	0

Memory Map and Register Definition

Bit	15	14	13	12	11	10	9	8	7	6	5	4	3	2	1	0
R	0								CHF	CHIE	MSB	MSA	ELSB	ELSA	0	DMA
W									w1c							
Reset	0	0	0	0	0	0	0	0	0	0	0	0	0	0	0	0

TPMx_CnSC field descriptions

Field	Description
31–8 Reserved	This field is reserved. This read-only field is reserved and always has the value 0.
7 CHF	Channel Flag Set by hardware when an event occurs on the channel. CHF is cleared by writing a 1 to the CHF bit. Writing a 0 to CHF has no effect. If another event occurs between the CHF sets and the write operation, the write operation has no effect; therefore, CHF remains set indicating another event has occurred. In this case a CHF interrupt request is not lost due to the delay in clearing the previous CHF. 0 No channel event has occurred. 1 A channel event has occurred.
6 CHIE	Channel Interrupt Enable Enables channel interrupts. 0 Disable channel interrupts. 1 Enable channel interrupts.
5 MSB	Channel Mode Select Used for further selections in the channel logic. Its functionality is dependent on the channel mode. When a channel is disabled, this bit will not change state until acknowledged in the TPM counter clock domain.
4 MSA	Channel Mode Select Used for further selections in the channel logic. Its functionality is dependent on the channel mode. When a channel is disabled, this bit will not change state until acknowledged in the TPM counter clock domain.
3 ELSB	Edge or Level Select The functionality of ELSB and ELSA depends on the channel mode. When a channel is disabled, this bit will not change state until acknowledged in the TPM counter clock domain.
2 ELSA	Edge or Level Select The functionality of ELSB and ELSA depends on the channel mode. When a channel is disabled, this bit will not change state until acknowledged in the TPM counter clock domain.
1 Reserved	This field is reserved. This read-only field is reserved and always has the value 0.
0 DMA	DMA Enable Enables DMA transfers for the channel. 0 Disable DMA transfers. 1 Enable DMA transfers.

31.3.5 Channel (n) Value (TPMx_CnV)

These registers contain the captured TPM counter value for the input modes or the match value for the output modes.

In input capture mode, any write to a CnV register is ignored.

In compare modes, writing to a CnV register latches the value into a buffer. A CnV register is updated with the value of its write buffer according to [CnV Register Update](#). Additional writes to the CnV write buffer are ignored until the register has been updated.

Address: Base address + 10h offset + (8d × i), where i=0d to 5d

Bit	31	30	29	28	27	26	25	24	23	22	21	20	19	18	17	16	15	14	13	12	11	10	9	8	7	6	5	4	3	2	1	0
R	0																VAL															
W	0																0															
Reset	0	0	0	0	0	0	0	0	0	0	0	0	0	0	0	0	0	0	0	0	0	0	0	0	0	0	0	0	0	0	0	0

TPMx_CnV field descriptions

Field	Description
31–16 Reserved	This field is reserved. This read-only field is reserved and always has the value 0.
15–0 VAL	Channel Value Captured TPM counter value of the input modes or the match value for the output modes. When writing this field, all bytes must be written at the same time.

31.3.6 Capture and Compare Status (TPMx_STATUS)

The STATUS register contains a copy of the status flag CHnF bit (in CnSC) for each TPM channel, as well as the TOF bit (in SC), for software convenience.

Each CHnF bit in STATUS is a mirror of CHnF bit in CnSC. All CHnF bits can be checked using only one read of STATUS. All CHnF bits can be cleared by writing all ones to STATUS.

Hardware sets the individual channel flags when an event occurs on the channel. CHF is cleared by writing a 1 to the CHF bit. Writing a 0 to CHF has no effect.

If another event occurs between the flag setting and the write operation, the write operation has no effect; therefore, CHF remains set indicating another event has occurred. In this case a CHF interrupt request is not lost due to the clearing sequence for a previous CHF.

Memory Map and Register Definition

Address: Base address + 50h offset

Bit	31	30	29	28	27	26	25	24	23	22	21	20	19	18	17	16	
R	0																
W	[Reserved]																
Reset	0	0	0	0	0	0	0	0	0	0	0	0	0	0	0	0	
Bit	15	14	13	12	11	10	9	8	7	6	5	4	3	2	1	0	
R	0								TOF	0		CH5F	CH4F	CH3F	CH2F	CH1F	CH0F
W	[Reserved]								w1c	[Reserved]		w1c	w1c	w1c	w1c	w1c	w1c
Reset	0	0	0	0	0	0	0	0	0	0	0	0	0	0	0	0	

TPMx_STATUS field descriptions

Field	Description
31–9 Reserved	This field is reserved. This read-only field is reserved and always has the value 0.
8 TOF	Timer Overflow Flag See register description 0 TPM counter has not overflowed. 1 TPM counter has overflowed.
7–6 Reserved	This field is reserved. This read-only field is reserved and always has the value 0.
5 CH5F	Channel 5 Flag See the register description. 0 No channel event has occurred. 1 A channel event has occurred.
4 CH4F	Channel 4 Flag See the register description. 0 No channel event has occurred. 1 A channel event has occurred.
3 CH3F	Channel 3 Flag See the register description. 0 No channel event has occurred. 1 A channel event has occurred.

Table continues on the next page...

TPMx_STATUS field descriptions (continued)

Field	Description
2 CH2F	Channel 2 Flag See the register description. 0 No channel event has occurred. 1 A channel event has occurred.
1 CH1F	Channel 1 Flag See the register description. 0 No channel event has occurred. 1 A channel event has occurred.
0 CH0F	Channel 0 Flag See the register description. 0 No channel event has occurred. 1 A channel event has occurred.

31.3.7 Configuration (TPMx_CONF)

This register selects the behavior in debug and wait modes and the use of an external global time base.

Address: Base address + 84h offset

Bit	31	30	29	28	27	26	25	24	23	22	21	20	19	18	17	16
R	0				TRGSEL				0				CROT	C000	C00T	
W	[Shaded]				[Shaded]				[Shaded]				[Shaded]	[Shaded]	[Shaded]	
Reset	0	0	0	0	0	0	0	0	0	0	0	0	0	0	0	0
Bit	15	14	13	12	11	10	9	8	7	6	5	4	3	2	1	0
R	0				GTBEEN	0	DBGMODE		DOZEEN	0						
W	[Shaded]				[Shaded]	[Shaded]	[Shaded]		[Shaded]	[Shaded]						
Reset	0	0	0	0	0	0	0	0	0	0	0	0	0	0	0	0

TPMx_CONF field descriptions

Field	Description
31–28 Reserved	This field is reserved. This read-only field is reserved and always has the value 0.

Table continues on the next page...

TPMx_CONF field descriptions (continued)

Field	Description
27–24 TRGSEL	<p>Trigger Select</p> <p>Selects the input trigger to use for starting the counter and/or reloading the counter. This field should only be changed when the TPM counter is disabled. See Chip configuration section for available options.</p>
23–19 Reserved	<p>This field is reserved.</p> <p>This read-only field is reserved and always has the value 0.</p>
18 CROT	<p>Counter Reload On Trigger</p> <p>When set, the TPM counter will reload with zero (and initialize PWM outputs to their default value) when a rising edge is detected on the selected trigger input.</p> <p>The trigger input is ignored if the TPM counter is paused during debug mode or doze mode. This field should only be changed when the TPM counter is disabled.</p> <p>0 Counter is not reloaded due to a rising edge on the selected input trigger 1 Counter is reloaded when a rising edge is detected on the selected input trigger</p>
17 CSOO	<p>Counter Stop On Overflow</p> <p>When set, the TPM counter will stop incrementing once the counter equals the MOD value and incremented (this also sets the TOF). Reloading the counter with zero due to writing to the counter register or due to a trigger input does not cause the counter to stop incrementing. Once the counter has stopped incrementing, the counter will not start incrementing unless it is disabled and then enabled again, or a rising edge on the selected trigger input is detected when CSOT set.</p> <p>This field should only be changed when the TPM counter is disabled.</p> <p>0 TPM counter continues incrementing or decrementing after overflow 1 TPM counter stops incrementing or decrementing after overflow.</p>
16 CSOT	<p>Counter Start on Trigger</p> <p>When set, the TPM counter will not start incrementing after it is enabled until a rising edge on the selected trigger input is detected. If the TPM counter is stopped due to an overflow, a rising edge on the selected trigger input will also cause the TPM counter to start incrementing again.</p> <p>The trigger input is ignored if the TPM counter is paused during debug mode or doze mode. This field should only be changed when the TPM counter is disabled.</p> <p>0 TPM counter starts to increment immediately, once it is enabled. 1 TPM counter only starts to increment when it a rising edge on the selected input trigger is detected, after it has been enabled or after it has stopped due to overflow.</p>
15–10 Reserved	<p>This field is reserved.</p> <p>This read-only field is reserved and always has the value 0.</p>
9 GTBEEN	<p>Global time base enable</p> <p>Configures the TPM to use an externally generated global time base counter. When an externally generated timebase is used, the internal TPM counter is not used by the channels but can be used to generate a periodic interruptor DMA request using the Modulo register and timer overflow flag.</p> <p>0 All channels use the internally generated TPM counter as their timebase 1 All channels use an externally generated global timebase as their timebase</p>
8 Reserved	<p>This field is reserved.</p> <p>This read-only field is reserved and always has the value 0.</p>
7–6 DBGMODE	<p>Debug Mode</p>

Table continues on the next page...

TPMx_CONF field descriptions (continued)

Field	Description
	Configures the TPM behavior in debug mode. All other configurations are reserved. 00 TPM counter is paused and does not increment during debug mode. Trigger inputs and input capture events are also ignored. 11 TPM counter continues in debug mode.
5 DOZEEN	Doze Enable Configures the TPM behavior in wait mode. 0 Internal TPM counter continues in Doze mode. 1 Internal TPM counter is paused and does not increment during Doze mode. Trigger inputs and input capture events are also ignored.
4–0 Reserved	This field is reserved. This read-only field is reserved and always has the value 0.

31.4 Functional Description

The following sections describe the TPM features.

31.4.1 Clock Domains

The TPM module supports two clock domains.

The bus clock domain is used by the register interface and for synchronizing interrupts and DMA requests.

The TPM counter clock domain is used to clock the counter and prescaler along with the output compare and input capture logic. The TPM counter clock is considered asynchronous to the bus clock, can be a higher or lower frequency than the bus clock and can remain operational in Stop mode. Multiple TPM instances are all clocked by the same TPM counter clock in support of the external timebase feature.

31.4.1.1 Counter Clock Mode

The CMOD[1:0] bits in the SC register either disable the TPM counter or select one of two possible clock modes for the TPM counter. After any reset, CMOD[1:0] = 0:0 so the TPM counter is disabled.

Functional Description

The CMOD[1:0] bits may be read or written at any time. Disabling the TPM counter by writing zero to the CMOD[1:0] bits does not affect the TPM counter value or other registers, but must be acknowledged by the TPM counter clock domain before they read as zero.

The external clock input passes through a synchronizer clocked by the TPM counter clock to assure that counter transitions are properly aligned to counter clock transitions. Therefore, to meet Nyquist criteria considering also jitter, the frequency of the external clock source must be less than half of the counter clock frequency.

31.4.2 Prescaler

The selected counter clock source passes through a prescaler that is a 7-bit counter. The value of the prescaler is selected by the PS[2:0] bits. The following figure shows an example of the prescaler counter and TPM counter.

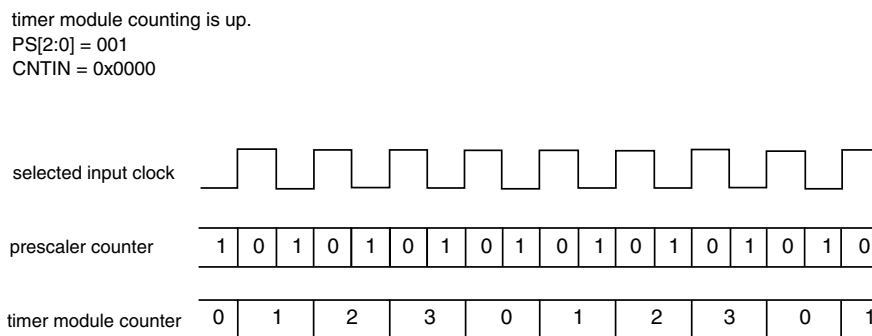


Figure 31-78. Example of the Prescaler Counter

31.4.3 Counter

The TPM has a 16-bit counter that is used by the channels either for input or output modes. The counter updates from the selected clock divided by the prescaler.

The TPM counter has these modes of operation:

- up counting (see [Up Counting](#))
- up-down counting (see [Up-Down Counting](#))

31.4.3.1 Up Counting

Up counting is selected when (CPWMS = 0)

The value of zero is loaded into the TPM counter, and the counter increments until the value of MOD is reached, at which point the counter is reloaded with zero.

The TPM period when using up counting is $(MOD + 0x0001) \times$ period of the TPM counter clock.

The TOF bit is set when the TPM counter changes from MOD to zero.

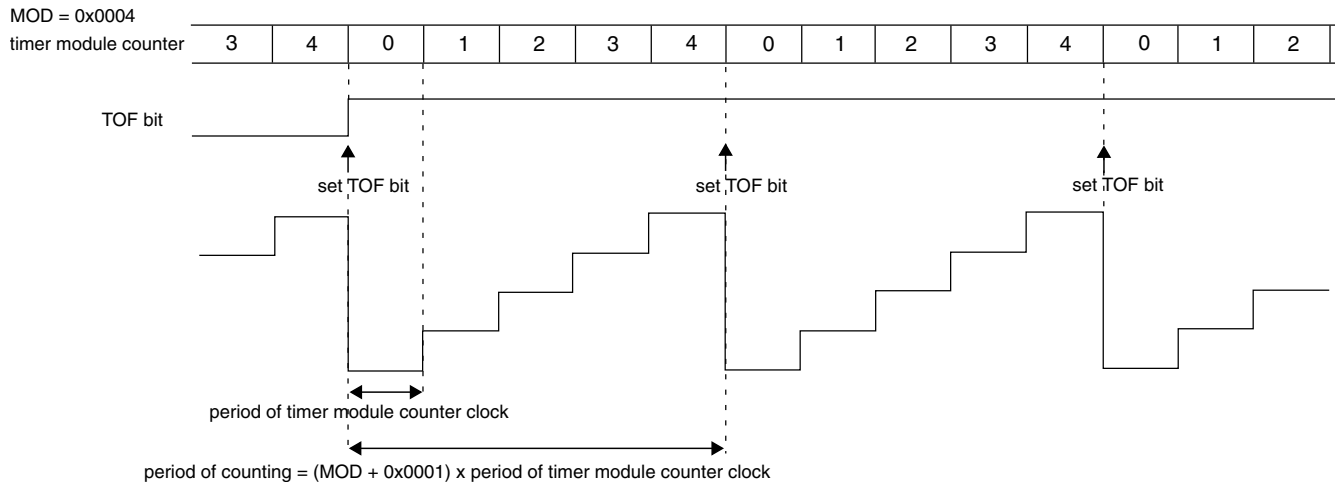


Figure 31-79. Example of TPM Up Counting

Note

- MOD = 0000 is a redundant condition. In this case, the TPM counter is always equal to MOD and the TOF bit is set in each rising edge of the TPM counter clock.

31.4.3.2 Up-Down Counting

Up-down counting is selected when $(CPWMS = 1)$. When configured for up-down counting, configuring MOD to less than 2 is not supported.

The value of zero is loaded into the TPM counter, and the counter increments until the value of MOD is reached, at which point the counter is decremented until it returns to zero and the up-down counting restarts.

The TPM period when using up-down counting is $2 \times MOD \times$ period of the TPM counter clock.

The TOF bit is set when the TPM counter changes from MOD to $(MOD - 1)$.

Functional Description

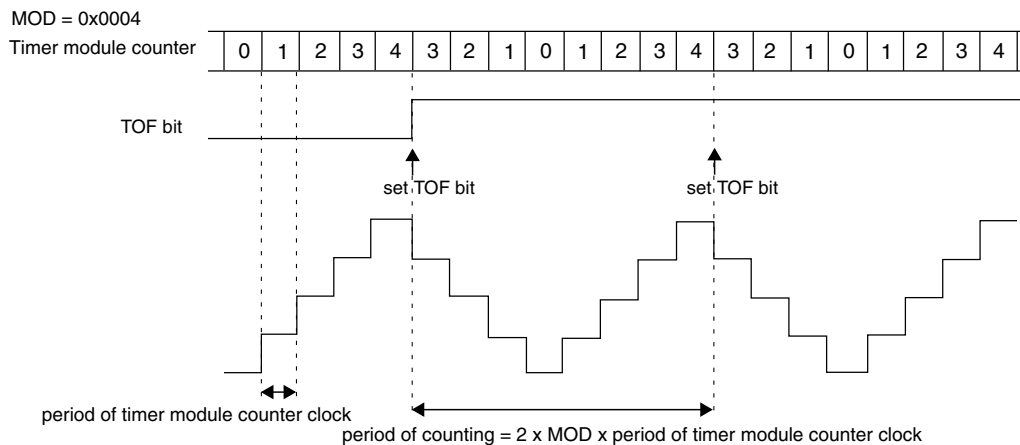


Figure 31-80. Example of Up-Down Counting

31.4.3.3 Counter Reset

Any write to CNT resets the TPM counter and the channel outputs to their initial values (except for channels in output compare mode).

31.4.3.4 Global time base (GTB)

The global time base (GTB) is a TPM function that allows multiple TPM modules to share the same timebase. When the global time base is enabled (GTBEEN = 1), the local TPM channels use the counter value, counter enable and overflow indication from the TPM generating the global time base. If the local TPM counter is not generating the global time base, then it can be used as an independent counter or pulse accumulator.

31.4.3.5 Counter trigger

The TPM counter can be configured to start, stop or reset in response to a hardware trigger input. The trigger input is synchronized to the asynchronous counter clock, so there is a 3 counter clock delay between the trigger assertion and the counter responding.

- When (CSOT = 1), the counter will not start incrementing until a rising edge is detected on the trigger input.
- When (CSOO= 1), the counter will stop incrementing whenever the TOF flag is set. The counter does not increment again unless it is disabled, or if CSOT = 1 and a rising edge is detected on the trigger input.
- When (CROT= 1), the counter will reset to zero as if an overflow occurred whenever a rising edge is detected on the trigger input.

31.4.4 Input Capture Mode

The input capture mode is selected when ($CPWMS = 0$), ($MSnB:MSnA = 0:0$), and ($ELSnB:ELSnA \neq 0:0$).

When a selected edge occurs on the channel input, the current value of the TPM counter is captured into the CnV register, at the same time the CHnF bit is set and the channel interrupt is generated if enabled by $CHnIE = 1$ (see the following figure).

When a channel is configured for input capture, the TPM_CHn pin is an edge-sensitive input. $ELSnB:ELSnA$ control bits determine which edge, falling or rising, triggers input-capture event. Note that the maximum frequency for the channel input signal to be detected correctly is counter clock divided by 4, which is required to meet Nyquist criteria for signal sampling.

Writes to the CnV register are ignored in input capture mode.

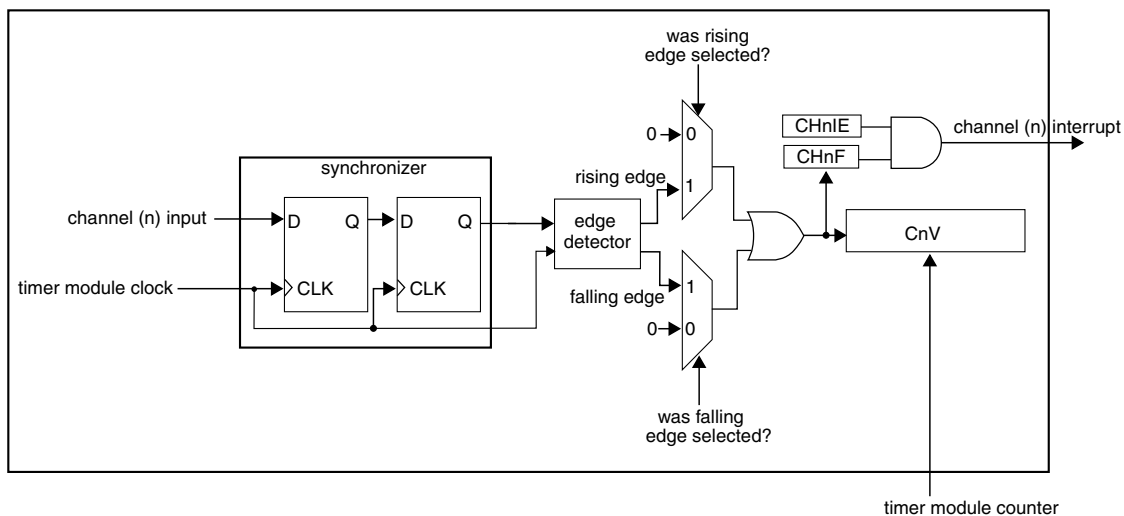


Figure 31-81. Input capture mode

The CHnF bit is set on the third rising edge of the counter clock after a valid edge occurs on the channel input.

31.4.5 Output Compare Mode

The output compare mode is selected when ($CPWMS = 0$), and ($MSnB:MSnA = X:1$).

Functional Description

In output compare mode, the TPM can generate timed pulses with programmable position, polarity, duration, and frequency. When the counter matches the value in the CnV register of an output compare channel, the channel (n) output can be set, cleared or toggled if MSnB is clear. If MSnB is set then the channel (n) output is pulsed high or low for as long as the counter matches the value in the CnV register.

When a channel is initially configured to output compare mode, the channel output updates with its negated value (logic 0 for set/toggle/pulse high and logic one for clear/pulse low).

The CHnF bit is set and the channel (n) interrupt is generated (if CHnIE = 1) at the channel (n) match (TPM counter = CnV).

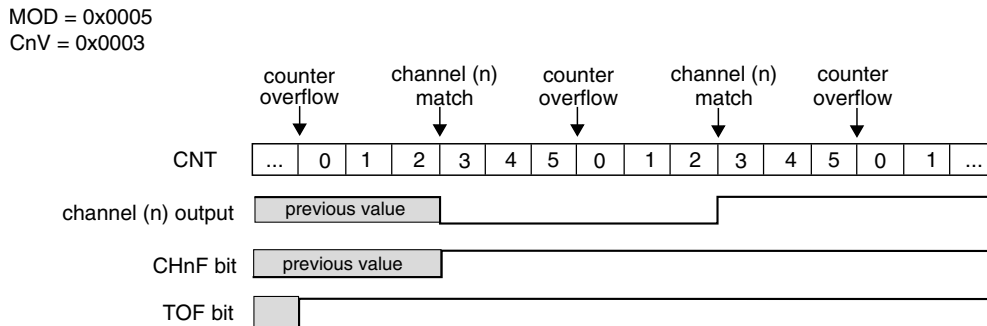


Figure 31-82. Example of the output compare mode when the match toggles the channel output

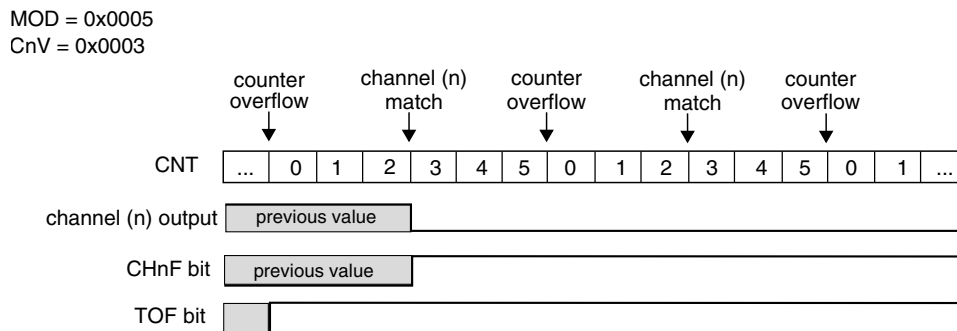


Figure 31-83. Example of the output compare mode when the match clears the channel output

MOD = 0x0005
CnV = 0x0003

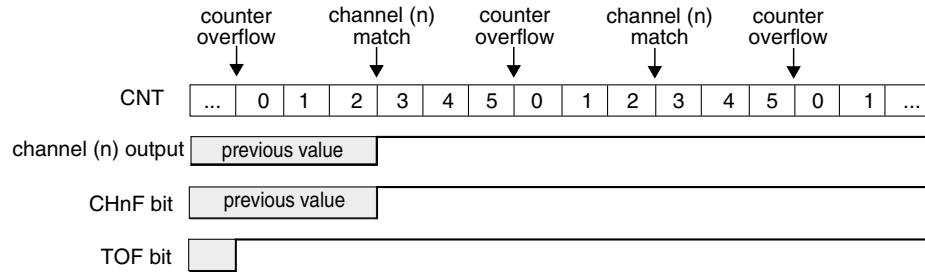


Figure 31-84. Example of the output compare mode when the match sets the channel output

It is possible to use the output compare mode with (ELSnB:ELSnA = 0:0). In this case, when the counter reaches the value in the CnV register, the CHnF bit is set and the channel (n) interrupt is generated (if CHnIE = 1), however the channel (n) output is not modified and controlled by TPM.

31.4.6 Edge-Aligned PWM (EPWM) Mode

The edge-aligned mode is selected when (CPWMS = 0), and (MSnB:MSnA = 1:0). The EPWM period is determined by (MOD + 0x0001) and the pulse width (duty cycle) is determined by CnV.

The CHnF bit is set and the channel (n) interrupt is generated (if CHnIE = 1) at the channel (n) match (TPM counter = CnV), that is, at the end of the pulse width.

This type of PWM signal is called edge-aligned because the leading edges of all PWM signals are aligned with the beginning of the period, which is the same for all channels within an TPM.

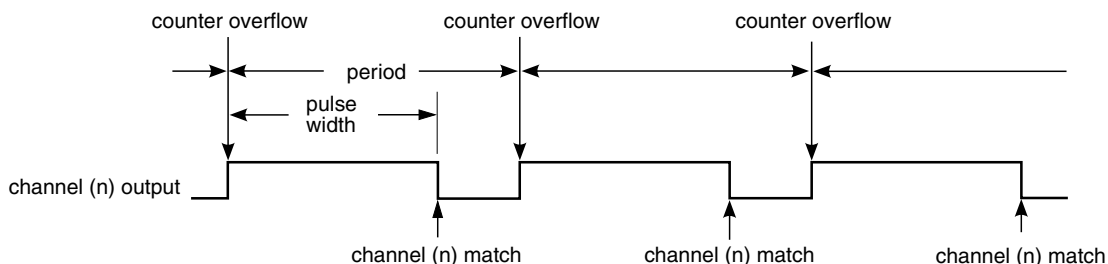


Figure 31-85. EPWM period and pulse width with ELSnB:ELSnA = 1:0

If (ELSnB:ELSnA = 0:0) when the counter reaches the value in the CnV register, the CHnF bit is set and the channel (n) interrupt is generated (if CHnIE = 1), however the channel (n) output is not controlled by TPM.

Functional Description

If (ELSnB:ELSnA = 1:0), then the channel (n) output is forced high at the counter overflow (when the zero is loaded into the TPM counter), and it is forced low at the channel (n) match (TPM counter = CnV) (see the following figure).

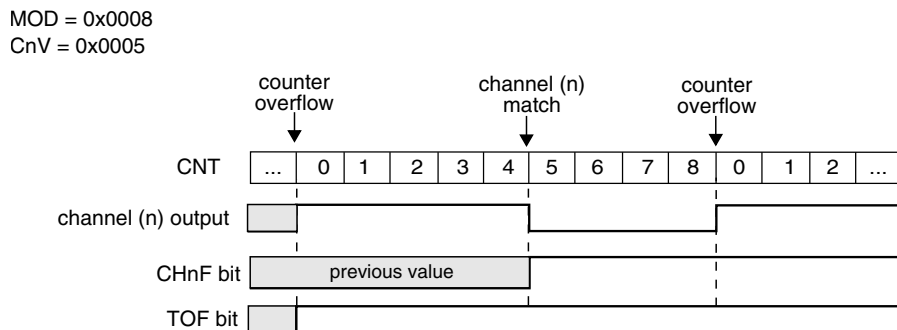


Figure 31-86. EPWM signal with ELSnB:ELSnA = 1:0

If (ELSnB:ELSnA = X:1), then the channel (n) output is forced low at the counter overflow (when zero is loaded into the TPM counter), and it is forced high at the channel (n) match (TPM counter = CnV) (see the following figure).

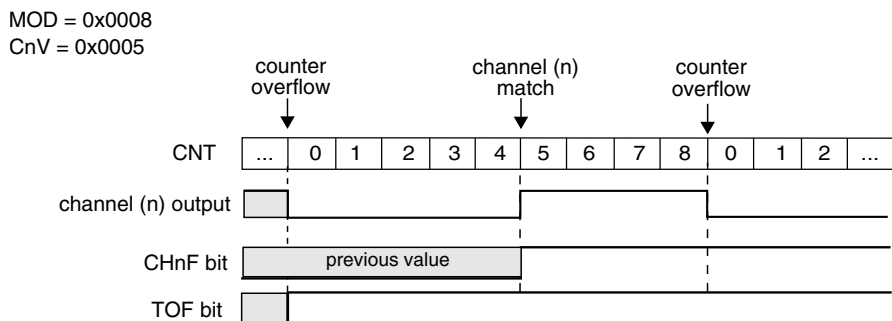


Figure 31-87. EPWM signal with ELSnB:ELSnA = X:1

If (CnV = 0x0000), then the channel (n) output is a 0% duty cycle EPWM signal. If (CnV > MOD), then the channel (n) output is a 100% duty cycle EPWM signal and CHnF bit is not set since there is never a channel (n) match. Therefore, MOD must be less than 0xFFFF in order to get a 100% duty cycle EPWM signal.

31.4.7 Center-Aligned PWM (CPWM) Mode

The center-aligned mode is selected when (CPWMS = 1) and (MSnB:MSnA = 1:0).

The CPWM pulse width (duty cycle) is determined by $2 \times \text{CnV}$ and the period is determined by $2 \times \text{MOD}$ (see the following figure). MOD must be kept in the range of 0x0001 to 0x7FFF because values outside this range can produce ambiguous results.

In the CPWM mode, the TPM counter counts up until it reaches MOD and then counts down until it reaches zero.

The CHnF bit is set and channel (n) interrupt is generated (if CHnIE = 1) at the channel (n) match (TPM counter = CnV) when the TPM counting is down (at the begin of the pulse width) and when the TPM counting is up (at the end of the pulse width).

This type of PWM signal is called center-aligned because the pulse width centers for all channels are when the TPM counter is zero.

The other channel modes are not designed to be used with the up-down counter (CPWMS = 1). Therefore, all TPM channels should be used in CPWM mode when (CPWMS = 1).

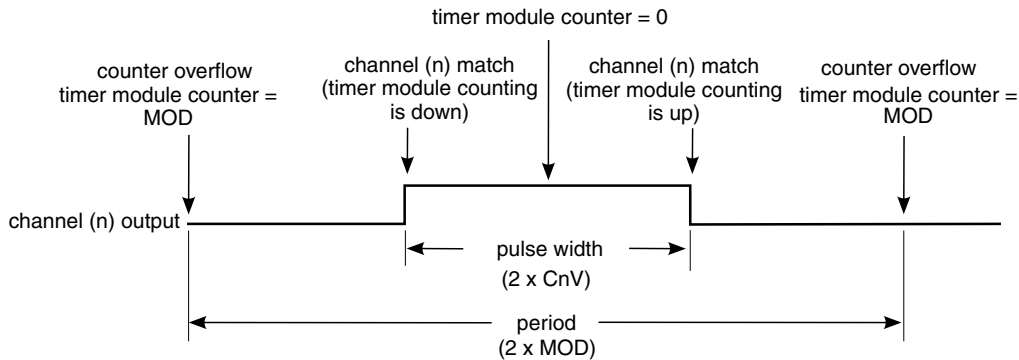


Figure 31-88. CPWM period and pulse width with ELSnB:ELSnA = 1:0

If (ELSnB:ELSnA = 0:0) when the TPM counter reaches the value in the CnV register, the CHnF bit is set and the channel (n) interrupt is generated (if CHnIE = 1), however the channel (n) output is not controlled by TPM.

If (ELSnB:ELSnA = 1:0), then the channel (n) output is forced high at the channel (n) match (TPM counter = CnV) when counting down, and it is forced low at the channel (n) match when counting up (see the following figure).

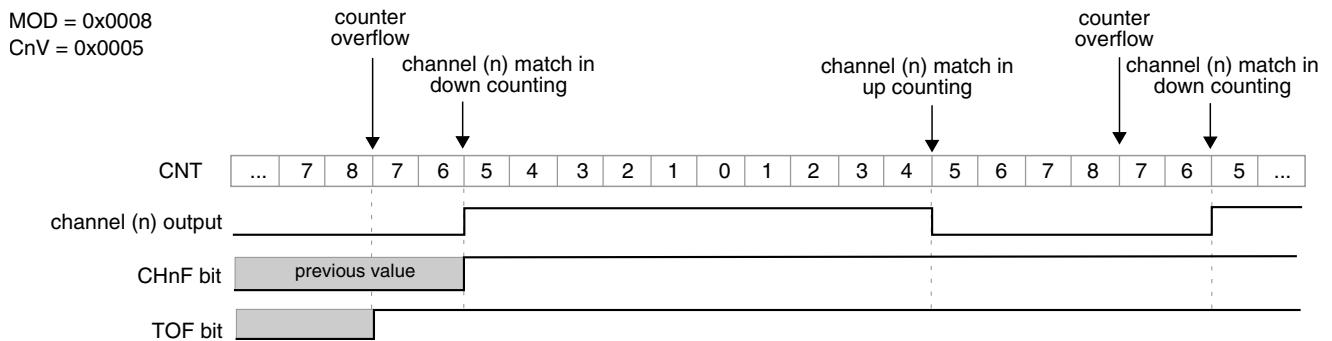


Figure 31-89. CPWM signal with ELSnB:ELSnA = 1:0

If (ELSnB:ELSnA = X:1), then the channel (n) output is forced low at the channel (n) match (TPM counter = CnV) when counting down, and it is forced high at the channel (n) match when counting up (see the following figure).

Functional Description

MOD = 0x0008
CnV = 0x0005

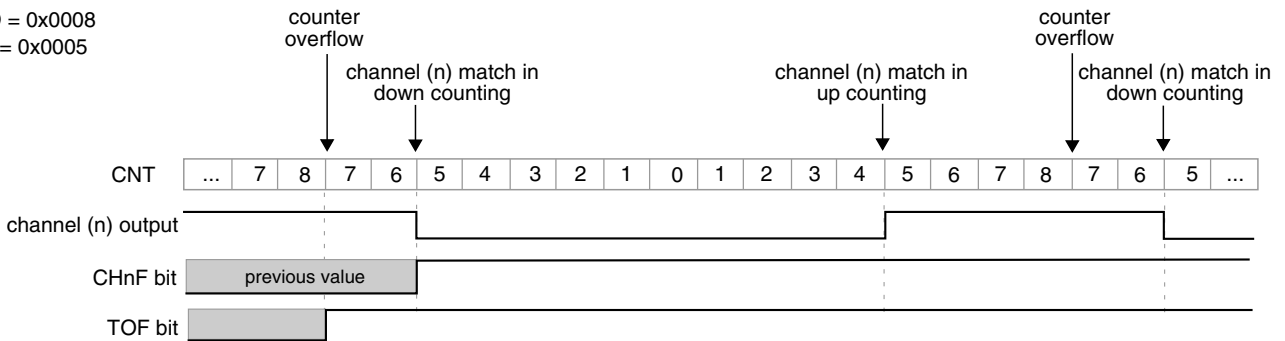


Figure 31-90. CPWM signal with ELSnB:ELSnA = X:1

If (CnV = 0x0000) then the channel (n) output is a 0% duty cycle CPWM signal.

If (CnV > MOD), then the channel (n) output is a 100% duty cycle CPWM signal, although the CHnF bit is set when the counter changes from incrementing to decrementing. Therefore, MOD must be less than 0xFFFF in order to get a 100% duty cycle CPWM signal.

31.4.8 Registers Updated from Write Buffers

31.4.8.1 MOD Register Update

If (CMOD[1:0] = 0:0) then MOD register is updated when MOD register is written.

If (CMOD[1:0] ≠ 0:0), then MOD register is updated according to the CPWMS bit, that is:

- If the selected mode is not CPWM then MOD register is updated after MOD register was written and the TPM counter changes from MOD to zero.
- If the selected mode is CPWM then MOD register is updated after MOD register was written and the TPM counter changes from MOD to (MOD – 1).

31.4.8.2 CnV Register Update

If (CMOD[1:0] = 0:0) then CnV register is updated when CnV register is written.

If (CMOD[1:0] ≠ 0:0), then CnV register is updated according to the selected mode, that is:

- If the selected mode is output compare then CnV register is updated on the next TPM counter increment (end of the prescaler counting) after CnV register was written.
- If the selected mode is EPWM then CnV register is updated after CnV register was written and the TPM counter changes from MOD to zero.
- If the selected mode is CPWM then CnV register is updated after CnV register was written and the TPM counter changes from MOD to (MOD – 1).

31.4.9 DMA

The channel generates a DMA transfer request according to DMA and CHnIE bits (see the following table).

Table 31-110. Channel DMA Transfer Request

DMA	CHnIE	Channel DMA Transfer Request	Channel Interrupt
0	0	The channel DMA transfer request is not generated.	The channel interrupt is not generated.
0	1	The channel DMA transfer request is not generated.	The channel interrupt is generated if (CHnF = 1).
1	0	The channel DMA transfer request is generated if (CHnF = 1).	The channel interrupt is not generated.
1	1	The channel DMA transfer request is generated if (CHnF = 1).	The channel interrupt is generated if (CHnF = 1).

If DMA = 1, the CHnF bit can be cleared either by channel DMA transfer done or writing a one to CHnF bit (see the following table).

Table 31-111. Clear CHnF Bit

DMA	How CHnF Bit Can Be Cleared
0	CHnF bit is cleared by writing a 1 to CHnF bit.
1	CHnF bit is cleared either when the channel DMA transfer is done or by writing a 1 to CHnF bit.

31.4.10 Output triggers

The TPM generates output triggers for the counter and each channel that can be used to trigger events in other peripherals. The counter trigger asserts whenever the TOF is set and remains asserted until the next increment.

Each TPM channel generates both a pre-trigger output and a trigger output. The pre-trigger output asserts whenever the CHnF is set, the trigger output asserts on the first counter increment after the pre-trigger asserts, and then both the trigger and pre-trigger negate on the first counter increment after the trigger asserts.

31.4.11 Reset Overview

The TPM is reset whenever any chip reset occurs.

When the TPM exits from reset:

- the TPM counter and the prescaler counter are zero and are stopped (CMOD[1:0] = 0:0);
- the timer overflow interrupt is zero;
- the channels interrupts are zero;
- the channels are in input capture mode;
- the channels outputs are zero;
- the channels pins are not controlled by TPM (ELS(n)B:ELS(n)A = 0:0).

31.4.12 TPM Interrupts

This section describes TPM interrupts.

31.4.12.1 Timer Overflow Interrupt

The timer overflow interrupt is generated when (TOIE = 1) and (TOF = 1).

31.4.12.2 Channel (n) Interrupt

The channel (n) interrupt is generated when (CHnIE = 1) and (CHnF = 1).

Chapter 32

Periodic Interrupt Timer (PIT)

32.1 Introduction

NOTE

For the chip-specific implementation details of this module's instances, see the chip configuration information.

The PIT module is an array of timers that can be used to raise interrupts and trigger DMA channels.

32.1.1 Block diagram

The following figure shows the block diagram of the PIT module.

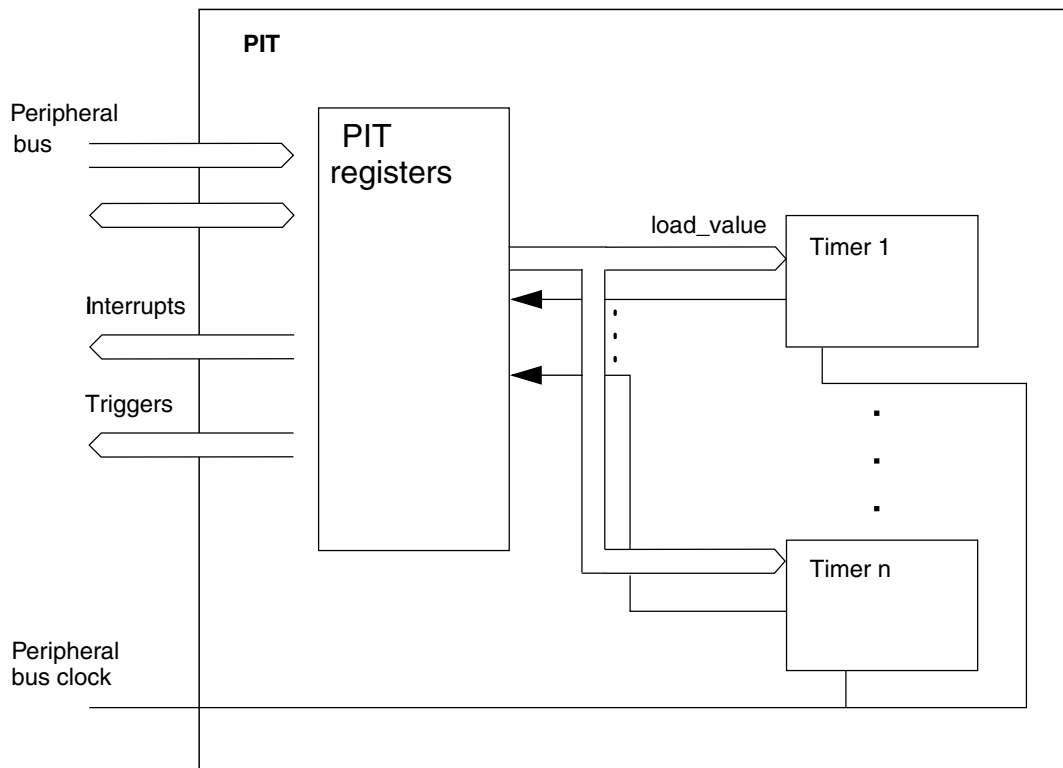


Figure 32-1. Block diagram of the PIT

NOTE

See the chip configuration details for the number of PIT channels used in this MCU.

32.1.2 Features

The main features of this block are:

- Ability of timers to generate DMA trigger pulses
- Ability of timers to generate interrupts
- Maskable interrupts
- Independent timeout periods for each timer

32.2 Signal description

The PIT module has no external pins.

32.3 Memory map/register description

This section provides a detailed description of all registers accessible in the PIT module.

- Reserved registers will read as 0, writes will have no effect.
- See the chip configuration details for the number of PIT channels used in this MCU.

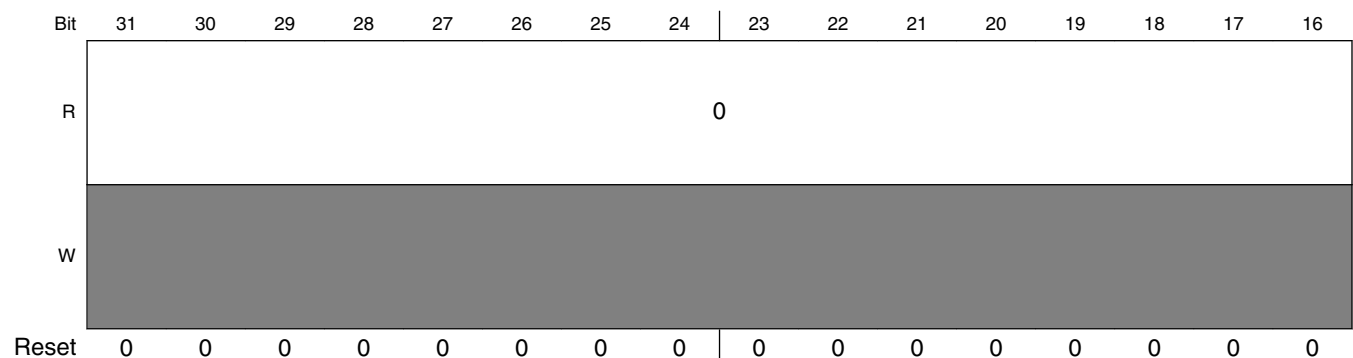
PIT memory map

Absolute address (hex)	Register name	Width (in bits)	Access	Reset value	Section/page
4003_7000	PIT Module Control Register (PIT_MCR)	32	R/W	0000_0006h	32.3.1/579
4003_70E0	PIT Upper Lifetime Timer Register (PIT_LTMR64H)	32	R	0000_0000h	32.3.2/580
4003_70E4	PIT Lower Lifetime Timer Register (PIT_LTMR64L)	32	R	0000_0000h	32.3.3/581
4003_7100	Timer Load Value Register (PIT_LDVAL0)	32	R/W	0000_0000h	32.3.4/581
4003_7104	Current Timer Value Register (PIT_CVAL0)	32	R	0000_0000h	32.3.5/582
4003_7108	Timer Control Register (PIT_TCTRL0)	32	R/W	0000_0000h	32.3.6/582
4003_710C	Timer Flag Register (PIT_TFLG0)	32	R/W	0000_0000h	32.3.7/583
4003_7110	Timer Load Value Register (PIT_LDVAL1)	32	R/W	0000_0000h	32.3.4/581
4003_7114	Current Timer Value Register (PIT_CVAL1)	32	R	0000_0000h	32.3.5/582
4003_7118	Timer Control Register (PIT_TCTRL1)	32	R/W	0000_0000h	32.3.6/582
4003_711C	Timer Flag Register (PIT_TFLG1)	32	R/W	0000_0000h	32.3.7/583

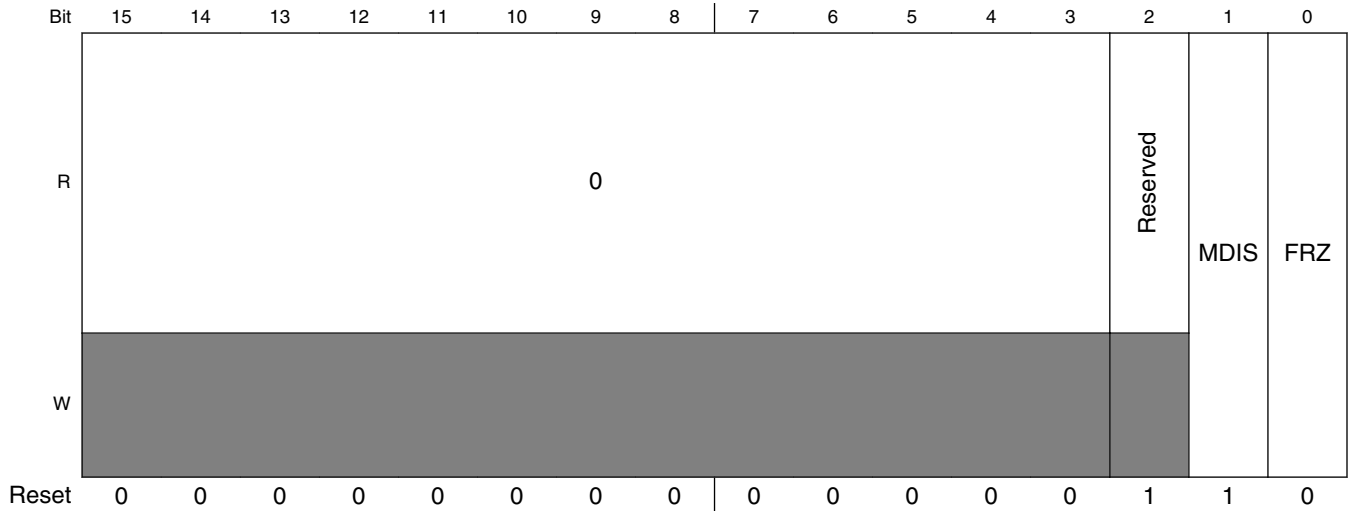
32.3.1 PIT Module Control Register (PIT_MCR)

This register enables or disables the PIT timer clocks and controls the timers when the PIT enters the Debug mode.

Address: 4003_7000h base + 0h offset = 4003_7000h



Memory map/register description



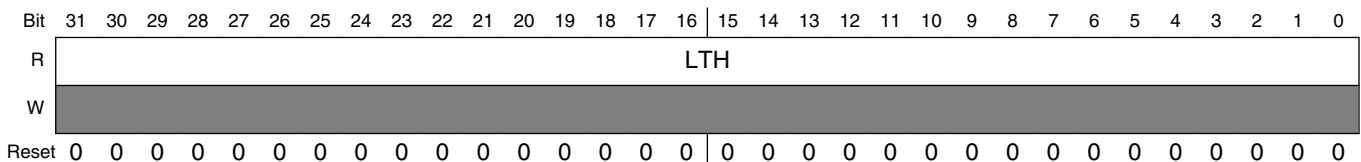
PIT_MCR field descriptions

Field	Description
31–3 Reserved	This field is reserved. This read-only field is reserved and always has the value 0.
2 Reserved	This field is reserved.
1 MDIS	Module Disable - (PIT section) Disables the standard timers. This field must be enabled before any other setup is done. 0 Clock for standard PIT timers is enabled. 1 Clock for standard PIT timers is disabled.
0 FRZ	Freeze Allows the timers to be stopped when the device enters the Debug mode. 0 Timers continue to run in Debug mode. 1 Timers are stopped in Debug mode.

32.3.2 PIT Upper Lifetime Timer Register (PIT_LTMR64H)

This register is intended for applications that chain timer 0 and timer 1 to build a 64-bit lifetimer.

Address: 4003_7000h base + E0h offset = 4003_70E0h



PIT_LTMR64H field descriptions

Field	Description
31–0 LTH	Life Timer value Shows the timer value of timer 1. If this register is read at a time t1, LTMR64L shows the value of timer 0 at time t1.

32.3.3 PIT Lower Lifetime Timer Register (PIT_LTMR64L)

This register is intended for applications that chain timer 0 and timer 1 to build a 64-bit lifetimer.

To use LTMR64H and LTMR64L, timer 0 and timer 1 need to be chained. To obtain the correct value, first read LTMR64H and then LTMR64L. LTMR64H will have the value of CVAL1 at the time of the first access, LTMR64L will have the value of CVAL0 at the time of the first access, therefore the application does not need to worry about carry-over effects of the running counter.

Address: 4003_7000h base + E4h offset = 4003_70E4h

Bit	31	30	29	28	27	26	25	24	23	22	21	20	19	18	17	16	15	14	13	12	11	10	9	8	7	6	5	4	3	2	1	0
R	LTL																															
W																																
Reset	0	0	0	0	0	0	0	0	0	0	0	0	0	0	0	0	0	0	0	0	0	0	0	0	0	0	0	0	0	0	0	0

PIT_LTMR64L field descriptions

Field	Description
31–0 LTL	Life Timer value Shows the value of timer 0 at the time LTMR64H was last read. It will only update if LTMR64H is read.

32.3.4 Timer Load Value Register (PIT_LDVALn)

These registers select the timeout period for the timer interrupts.

Address: 4003_7000h base + 100h offset + (16d × i), where i=0d to 1d

Bit	31	30	29	28	27	26	25	24	23	22	21	20	19	18	17	16	15	14	13	12	11	10	9	8	7	6	5	4	3	2	1	0
R	TSV																															
W																																
Reset	0	0	0	0	0	0	0	0	0	0	0	0	0	0	0	0	0	0	0	0	0	0	0	0	0	0	0	0	0	0	0	0

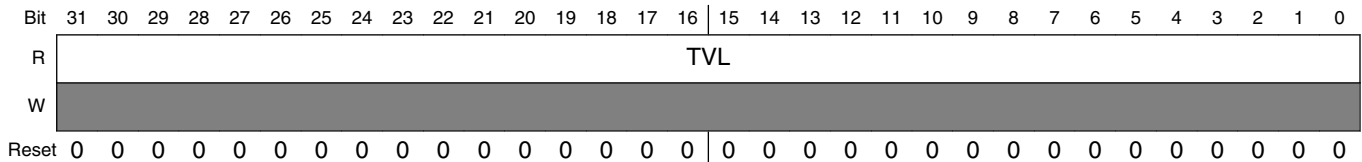
PIT_LDVALn field descriptions

Field	Description
31–0 TSV	<p>Timer Start Value</p> <p>Sets the timer start value. The timer will count down until it reaches 0, then it will generate an interrupt and load this register value again. Writing a new value to this register will not restart the timer; instead the value will be loaded after the timer expires. To abort the current cycle and start a timer period with the new value, the timer must be disabled and enabled again.</p>

32.3.5 Current Timer Value Register (PIT_CVALn)

These registers indicate the current timer position.

Address: 4003_7000h base + 104h offset + (16d × i), where i=0d to 1d



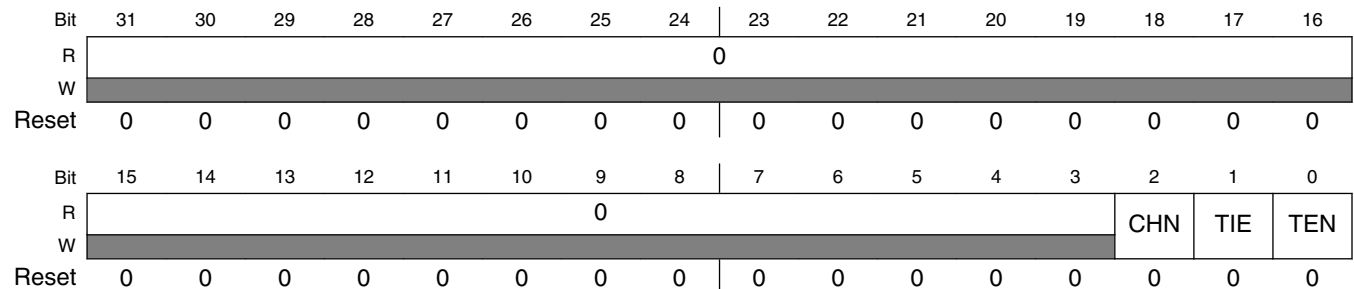
PIT_CVALn field descriptions

Field	Description
31–0 TVL	<p>Current Timer Value</p> <p>Represents the current timer value, if the timer is enabled.</p> <p>NOTE:</p> <ul style="list-style-type: none"> • If the timer is disabled, do not use this field as its value is unreliable. • The timer uses a downcounter. The timer values are frozen in Debug mode if MCR[FRZ] is set.

32.3.6 Timer Control Register (PIT_TCTRLn)

These register contain the control bits for each timer.

Address: 4003_7000h base + 108h offset + (16d × i), where i=0d to 1d



PIT_TCTRLn field descriptions

Field	Description
31–3 Reserved	This field is reserved. This read-only field is reserved and always has the value 0.
2 CHN	Chain Mode When activated, Timer n-1 needs to expire before timer n can decrement by 1. Timer 0 cannot be chained. 0 Timer is not chained. 1 Timer is chained to previous timer. For example, for Channel 2, if this field is set, Timer 2 is chained to Timer 1.
1 TIE	Timer Interrupt Enable When an interrupt is pending, or, TFLGn[TIF] is set, enabling the interrupt will immediately cause an interrupt event. To avoid this, the associated TFLGn[TIF] must be cleared first. 0 Interrupt requests from Timer n are disabled. 1 Interrupt will be requested whenever TIF is set.
0 TEN	Timer Enable Enables or disables the timer. 0 Timer n is disabled. 1 Timer n is enabled.

32.3.7 Timer Flag Register (PIT_TFLGn)

These registers hold the PIT interrupt flags.

Address: 4003_7000h base + 10Ch offset + (16d × i), where i=0d to 1d

Bit	31	30	29	28	27	26	25	24	23	22	21	20	19	18	17	16
R	0															
W																
Reset	0	0	0	0	0	0	0	0	0	0	0	0	0	0	0	0
Bit	15	14	13	12	11	10	9	8	7	6	5	4	3	2	1	0
R	0															TIF
W																w1c
Reset	0	0	0	0	0	0	0	0	0	0	0	0	0	0	0	0

PIT_TFLGn field descriptions

Field	Description
31–1 Reserved	This field is reserved. This read-only field is reserved and always has the value 0.

Table continues on the next page...

PIT_TFLGn field descriptions (continued)

Field	Description
0 TIF	<p>Timer Interrupt Flag</p> <p>Sets to 1 at the end of the timer period. Writing 1 to this flag clears it. Writing 0 has no effect. If enabled, or, when TCTRLn[TIE] = 1, TIF causes an interrupt request.</p> <p>0 Timeout has not yet occurred. 1 Timeout has occurred.</p>

32.4 Functional description

This section provides the functional description of the module.

32.4.1 General operation

This section gives detailed information on the internal operation of the module. Each timer can be used to generate trigger pulses and interrupts. Each interrupt is available on a separate interrupt line.

32.4.1.1 Timers

The timers generate triggers at periodic intervals, when enabled. The timers load the start values as specified in their LDVAL registers, count down to 0 and then load the respective start value again. Each time a timer reaches 0, it will generate a trigger pulse and set the interrupt flag.

All interrupts can be enabled or masked by setting TCTRLn[TIE]. A new interrupt can be generated only after the previous one is cleared.

If desired, the current counter value of the timer can be read via the CVAL registers.

The counter period can be restarted, by first disabling, and then enabling the timer with TCTRLn[TEN]. See the following figure.

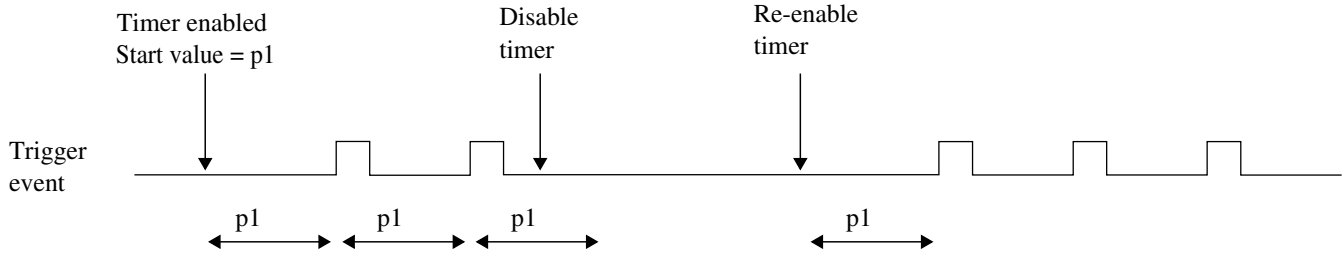


Figure 32-17. Stopping and starting a timer

The counter period of a running timer can be modified, by first disabling the timer, setting a new load value, and then enabling the timer again. See the following figure.

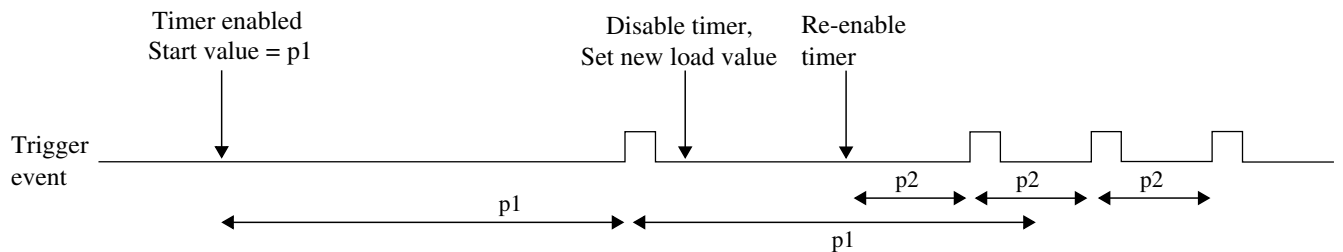


Figure 32-18. Modifying running timer period

It is also possible to change the counter period without restarting the timer by writing LDVAL with the new load value. This value will then be loaded after the next trigger event. See the following figure.

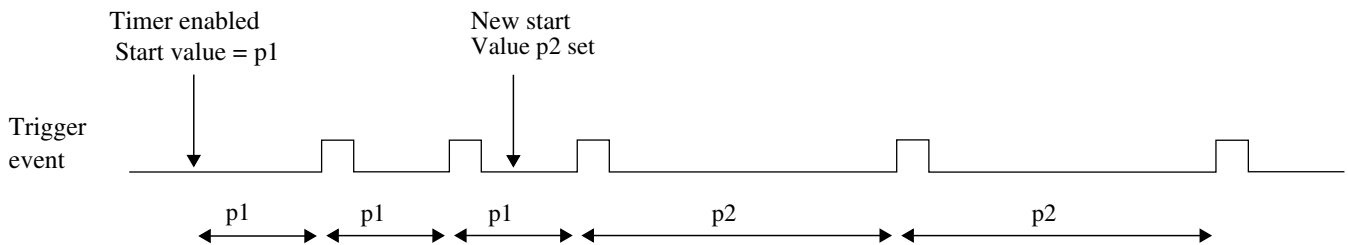


Figure 32-19. Dynamically setting a new load value

32.4.1.2 Debug mode

In Debug mode, the timers will be frozen based on MCR[FRZ]. This is intended to aid software development, allowing the developer to halt the processor, investigate the current state of the system, for example, the timer values, and then continue the operation.

32.4.2 Interrupts

All the timers support interrupt generation. See the MCU specification for related vector addresses and priorities.

Timer interrupts can be enabled by setting TCTRLn[TIE]. TFLGn[TIF] are set to 1 when a timeout occurs on the associated timer, and are cleared to 0 by writing a 1 to the corresponding TFLGn[TIF].

32.4.3 Chained timers

When a timer has chain mode enabled, it will only count after the previous timer has expired. So if timer n-1 has counted down to 0, counter n will decrement the value by one. This allows to chain some of the timers together to form a longer timer. The first timer (timer 0) cannot be chained to any other timer.

32.5 Initialization and application information

In the example configuration:

- The PIT clock has a frequency of 50 MHz.
- Timer 1 creates an interrupt every 5.12 ms.
- Timer 3 creates a trigger event every 30 ms.

The PIT module must be activated by writing a 0 to MCR[MDIS].

The 50 MHz clock frequency equates to a clock period of 20 ns. Timer 1 needs to trigger every $5.12 \text{ ms} / 20 \text{ ns} = 256,000$ cycles and Timer 3 every $30 \text{ ms} / 20 \text{ ns} = 1,500,000$ cycles. The value for the LDVAL register trigger is calculated as:

$\text{LDVAL trigger} = (\text{period} / \text{clock period}) - 1$

This means LDVAL1 and LDVAL3 must be written with 0x0003E7FF and 0x0016E35F respectively.

The interrupt for Timer 1 is enabled by setting TCTRL1[TIE]. The timer is started by writing 1 to TCTRL1[TEN].

Timer 3 shall be used only for triggering. Therefore, Timer 3 is started by writing a 1 to TCTRL3[TEN]. TCTRL3[TIE] stays at 0.

The following example code matches the described setup:

```
// turn on PIT
PIT_MCR = 0x00;

// Timer 1
PIT_LDVAL1 = 0x0003E7FF; // setup timer 1 for 256000 cycles
PIT_TCTRL1 = TIE; // enable Timer 1 interrupts
PIT_TCTRL1 |= TEN; // start Timer 1

// Timer 3
PIT_LDVAL3 = 0x0016E35F; // setup timer 3 for 1500000 cycles
PIT_TCTRL3 |= TEN; // start Timer 3
```

32.6 Example configuration for chained timers

In the example configuration:

- The PIT clock has a frequency of 100 MHz.
- Timers 1 and 2 are available.
- An interrupt shall be raised every 1 hour.

The PIT module needs to be activated by writing a 0 to MCR[MDIS].

The 100 MHz clock frequency equates to a clock period of 10 ns, so the PIT needs to count for 6000 million cycles, which is more than a single timer can do. So, Timer 1 is set up to trigger every 6 s (600 million cycles). Timer 2 is chained to Timer 1 and programmed to trigger 10 times.

The value for the LDVAL register trigger is calculated as number of cycles-1, so LDVAL1 receives the value 0x23C345FF and LDVAL2 receives the value 0x00000009.

The interrupt for Timer 2 is enabled by setting TCTRL2[TIE], the Chain mode is activated by setting TCTRL2[CHN], and the timer is started by writing a 1 to TCTRL2[TEN]. TCTRL1[TEN] needs to be set, and TCTRL1[CHN] and TCTRL1[TIE] are cleared.

The following example code matches the described setup:

```
// turn on PIT
PIT_MCR = 0x00;

// Timer 2
PIT_LDVAL2 = 0x00000009; // setup Timer 2 for 10 counts
PIT_TCTRL2 = TIE; // enable Timer 2 interrupt
PIT_TCTRL2 |= CHN; // chain Timer 2 to Timer 1
PIT_TCTRL2 |= TEN; // start Timer 2
```

Example configuration for the lifetime timer

```
// Timer 1
PIT_LDVAL1 = 0x23C345FF; // setup Timer 1 for 600 000 000 cycles
PIT_TCTRL1 = TEN; // start Timer 1
```

32.7 Example configuration for the lifetime timer

To configure the lifetime timer, channels 0 and 1 need to be chained together.

First the PIT module needs to be activated by writing a 0 to the MDIS bit in the CTRL register, then the LDVAL registers need to be set to the maximum value.

The timer is a downcounter.

The following example code matches the described setup:

```
// turn on PIT
PIT_MCR = 0x00;

// Timer 1
PIT_LDVAL1 = 0xFFFFFFFF; // setup timer 1 for maximum counting period
PIT_TCTRL1 = 0x0; // disable timer 1 interrupts
PIT_TCTRL1 |= CHN; // chain timer 1 to timer 0
PIT_TCTRL1 |= TEN; // start timer 1

// Timer 0
PIT_LDVAL0 = 0xFFFFFFFF; // setup timer 0 for maximum counting period
PIT_TCTRL0 = TEN; // start timer 0
```

To access the lifetime, read first LTMR64H and then LTMR64L.

```
current_uptime = PIT_LTMR64H<<32;
current_uptime = current_uptime + PIT_LTMR64L;
```

Chapter 33

Low-Power Timer (LPTMR)

33.1 Introduction

NOTE

For the chip-specific implementation details of this module's instances, see the chip configuration information.

The low-power timer (LPTMR) can be configured to operate as a time counter with optional prescaler, or as a pulse counter with optional glitch filter, across all power modes, including the low-leakage modes. It can also continue operating through most system reset events, allowing it to be used as a time of day counter.

33.1.1 Features

The features of the LPTMR module include:

- 16-bit time counter or pulse counter with compare
 - Optional interrupt can generate asynchronous wakeup from any low-power mode
 - Hardware trigger output
 - Counter supports free-running mode or reset on compare
- Configurable clock source for prescaler/glitch filter
- Configurable input source for pulse counter
 - Rising-edge or falling-edge

33.1.2 Modes of operation

The following table describes the operation of the LPTMR module in various modes.

Table 33-1. Modes of operation

Modes	Description
Run	The LPTMR operates normally.
Wait	The LPTMR continues to operate normally and may be configured to exit the low-power mode by generating an interrupt request.
Stop	The LPTMR continues to operate normally and may be configured to exit the low-power mode by generating an interrupt request.
Low-Leakage	The LPTMR continues to operate normally and may be configured to exit the low-power mode by generating an interrupt request.
Debug	The LPTMR operates normally in Pulse Counter mode, but counter does not increment in Time Counter mode.

33.2 LPTMR signal descriptions

Table 33-2. LPTMR signal descriptions

Signal	I/O	Description
LPTMR_ALT <i>n</i>	I	Pulse Counter Input pin

33.2.1 Detailed signal descriptions

Table 33-3. LPTMR interface—detailed signal descriptions

Signal	I/O	Description
LPTMR_ALT <i>n</i>	I	Pulse Counter Input The LPTMR can select one of the input pins to be used in Pulse Counter mode.
		State meaning Assertion—If configured for pulse counter mode with active-high input, then assertion causes the CNR to increment. Deassertion—If configured for pulse counter mode with active-low input, then deassertion causes the CNR to increment.
		Timing Assertion or deassertion may occur at any time; input may assert asynchronously to the bus clock.

33.3 Memory map and register definition

LPTMR memory map

Absolute address (hex)	Register name	Width (in bits)	Access	Reset value	Section/page
4004_0000	Low Power Timer Control Status Register (LPTMR0_CSR)	32	R/W	0000_0000h	33.3.1/591
4004_0004	Low Power Timer Prescale Register (LPTMR0_PSR)	32	R/W	0000_0000h	33.3.2/592
4004_0008	Low Power Timer Compare Register (LPTMR0_CMR)	32	R/W	0000_0000h	33.3.3/594
4004_000C	Low Power Timer Counter Register (LPTMR0_CNR)	32	R	0000_0000h	33.3.4/594

33.3.1 Low Power Timer Control Status Register (LPTMRx_CSR)

Address: 4004_0000h base + 0h offset = 4004_0000h

Bit	31	30	29	28	27	26	25	24	23	22	21	20	19	18	17	16
R	0															
W																
Reset	0	0	0	0	0	0	0	0	0	0	0	0	0	0	0	0
Bit	15	14	13	12	11	10	9	8	7	6	5	4	3	2	1	0
R	0								TCF	TIE	TPS	TPP	TFC	TMS	TEN	
W									w1c							
Reset	0	0	0	0	0	0	0	0	0	0	0	0	0	0	0	0

LPTMRx_CSR field descriptions

Field	Description
31–8 Reserved	This field is reserved. This read-only field is reserved and always has the value 0.
7 TCF	Timer Compare Flag TCF is set when the LPTMR is enabled and the CNR equals the CMR and increments. TCF is cleared when the LPTMR is disabled or a logic 1 is written to it. 0 The value of CNR is not equal to CMR and increments. 1 The value of CNR is equal to CMR and increments.
6 TIE	Timer Interrupt Enable When TIE is set, the LPTMR Interrupt is generated whenever TCF is also set. 0 Timer interrupt disabled. 1 Timer interrupt enabled.
5–4 TPS	Timer Pin Select Configures the input source to be used in Pulse Counter mode. TPS must be altered only when the LPTMR is disabled. The input connections vary by device. See the chip configuration details for information on the connections to these inputs. 00 Pulse counter input 0 is selected.

Table continues on the next page...

LPTMRx_CSR field descriptions (continued)

Field	Description
	01 Pulse counter input 1 is selected. 10 Pulse counter input 2 is selected. 11 Pulse counter input 3 is selected.
3 TPP	Timer Pin Polarity Configures the polarity of the input source in Pulse Counter mode. TPP must be changed only when the LPTMR is disabled. 0 Pulse Counter input source is active-high, and the CNR will increment on the rising-edge. 1 Pulse Counter input source is active-low, and the CNR will increment on the falling-edge.
2 TFC	Timer Free-Running Counter When clear, TFC configures the CNR to reset whenever TCF is set. When set, TFC configures the CNR to reset on overflow. TFC must be altered only when the LPTMR is disabled. 0 CNR is reset whenever TCF is set. 1 CNR is reset on overflow.
1 TMS	Timer Mode Select Configures the mode of the LPTMR. TMS must be altered only when the LPTMR is disabled. 0 Time Counter mode. 1 Pulse Counter mode.
0 TEN	Timer Enable When TEN is clear, it resets the LPTMR internal logic, including the CNR and TCF. When TEN is set, the LPTMR is enabled. While writing 1 to this field, CSR[5:1] must not be altered. 0 LPTMR is disabled and internal logic is reset. 1 LPTMR is enabled.

33.3.2 Low Power Timer Prescale Register (LPTMRx_PSR)

Address: 4004_0000h base + 4h offset = 4004_0004h

Bit	31	30	29	28	27	26	25	24	23	22	21	20	19	18	17	16
R	0															
W																
Reset	0	0	0	0	0	0	0	0	0	0	0	0	0	0	0	0
Bit	15	14	13	12	11	10	9	8	7	6	5	4	3	2	1	0
R	0								PRESCALE				PBYP	PCS		
W																
Reset	0	0	0	0	0	0	0	0	0	0	0	0	0	0	0	0

LPTMRx_PSR field descriptions

Field	Description
31–7 Reserved	This field is reserved. This read-only field is reserved and always has the value 0.
6–3 PRESCALE	<p>Prescale Value</p> <p>Configures the size of the Prescaler in Time Counter mode or width of the glitch filter in Pulse Counter mode. PRESCALE must be altered only when the LPTMR is disabled.</p> <p>0000 Prescaler divides the prescaler clock by 2; glitch filter does not support this configuration.</p> <p>0001 Prescaler divides the prescaler clock by 4; glitch filter recognizes change on input pin after 2 rising clock edges.</p> <p>0010 Prescaler divides the prescaler clock by 8; glitch filter recognizes change on input pin after 4 rising clock edges.</p> <p>0011 Prescaler divides the prescaler clock by 16; glitch filter recognizes change on input pin after 8 rising clock edges.</p> <p>0100 Prescaler divides the prescaler clock by 32; glitch filter recognizes change on input pin after 16 rising clock edges.</p> <p>0101 Prescaler divides the prescaler clock by 64; glitch filter recognizes change on input pin after 32 rising clock edges.</p> <p>0110 Prescaler divides the prescaler clock by 128; glitch filter recognizes change on input pin after 64 rising clock edges.</p> <p>0111 Prescaler divides the prescaler clock by 256; glitch filter recognizes change on input pin after 128 rising clock edges.</p> <p>1000 Prescaler divides the prescaler clock by 512; glitch filter recognizes change on input pin after 256 rising clock edges.</p> <p>1001 Prescaler divides the prescaler clock by 1024; glitch filter recognizes change on input pin after 512 rising clock edges.</p> <p>1010 Prescaler divides the prescaler clock by 2048; glitch filter recognizes change on input pin after 1024 rising clock edges.</p> <p>1011 Prescaler divides the prescaler clock by 4096; glitch filter recognizes change on input pin after 2048 rising clock edges.</p> <p>1100 Prescaler divides the prescaler clock by 8192; glitch filter recognizes change on input pin after 4096 rising clock edges.</p> <p>1101 Prescaler divides the prescaler clock by 16,384; glitch filter recognizes change on input pin after 8192 rising clock edges.</p> <p>1110 Prescaler divides the prescaler clock by 32,768; glitch filter recognizes change on input pin after 16,384 rising clock edges.</p> <p>1111 Prescaler divides the prescaler clock by 65,536; glitch filter recognizes change on input pin after 32,768 rising clock edges.</p>
2 PBYP	<p>Prescaler Bypass</p> <p>When PBYP is set, the selected prescaler clock in Time Counter mode or selected input source in Pulse Counter mode directly clocks the CNR. When PBYP is clear, the CNR is clocked by the output of the prescaler/glitch filter. PBYP must be altered only when the LPTMR is disabled.</p> <p>0 Prescaler/glitch filter is enabled.</p> <p>1 Prescaler/glitch filter is bypassed.</p>
1–0 PCS	<p>Prescaler Clock Select</p> <p>Selects the clock to be used by the LPTMR prescaler/glitch filter. PCS must be altered only when the LPTMR is disabled. The clock connections vary by device.</p> <p>NOTE: See the chip configuration details for information on the connections to these inputs.</p>

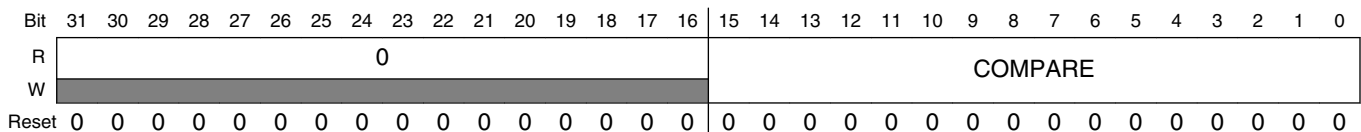
Table continues on the next page...

LPTMRx_PSR field descriptions (continued)

Field	Description
00	Prescaler/glitch filter clock 0 selected.
01	Prescaler/glitch filter clock 1 selected.
10	Prescaler/glitch filter clock 2 selected.
11	Prescaler/glitch filter clock 3 selected.

33.3.3 Low Power Timer Compare Register (LPTMRx_CMCR)

Address: 4004_0000h base + 8h offset = 4004_0008h

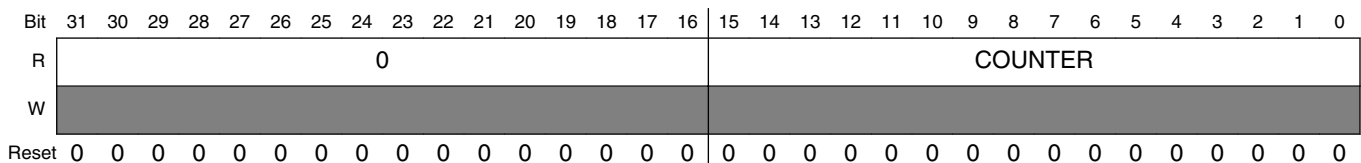


LPTMRx_CMCR field descriptions

Field	Description
31–16 Reserved	This field is reserved. This read-only field is reserved and always has the value 0.
15–0 COMPARE	Compare Value When the LPTMR is enabled and the CNR equals the value in the CMR and increments, TCF is set and the hardware trigger asserts until the next time the CNR increments. If the CMR is 0, the hardware trigger will remain asserted until the LPTMR is disabled. If the LPTMR is enabled, the CMR must be altered only when TCF is set.

33.3.4 Low Power Timer Counter Register (LPTMRx_CNR)

Address: 4004_0000h base + Ch offset = 4004_000Ch



LPTMRx_CNR field descriptions

Field	Description
31–16 Reserved	This field is reserved. This read-only field is reserved and always has the value 0.
15–0 COUNTER	Counter Value

33.4 Functional description

33.4.1 LPTMR power and reset

The LPTMR remains powered in all power modes, including low-leakage modes. If the LPTMR is not required to remain operating during a low-power mode, then it must be disabled before entering the mode.

The LPTMR is reset only on global Power On Reset (POR) or Low Voltage Detect (LVD). When configuring the LPTMR registers, the CSR must be initially written with the timer disabled, before configuring the PSR and CMR. Then, CSR[TIE] must be set as the last step in the initialization. This ensures the LPTMR is configured correctly and the LPTMR counter is reset to zero following a warm reset.

33.4.2 LPTMR clocking

The LPTMR prescaler/glitch filter can be clocked by one of the four clocks. The clock source must be enabled before the LPTMR is enabled.

NOTE

The clock source selected may need to be configured to remain enabled in low-power modes, otherwise the LPTMR will not operate during low-power modes.

In Pulse Counter mode with the prescaler/glitch filter bypassed, the selected input source directly clocks the CNR and no other clock source is required. To minimize power in this case, configure the prescaler clock source for a clock that is not toggling.

NOTE

The clock source or pulse input source selected for the LPTMR should not exceed the frequency f_{LPTMR} defined in the device datasheet.

33.4.3 LPTMR prescaler/glitch filter

The LPTMR prescaler and glitch filter share the same logic which operates as a prescaler in Time Counter mode and as a glitch filter in Pulse Counter mode.

NOTE

The prescaler/glitch filter configuration must not be altered when the LPTMR is enabled.

33.4.3.1 Prescaler enabled

In Time Counter mode, when the prescaler is enabled, the output of the prescaler directly clocks the CNR. When the LPTMR is enabled, the CNR will increment every 2^2 to 2^{16} prescaler clock cycles. After the LPTMR is enabled, the first increment of the CNR will take an additional one or two prescaler clock cycles due to synchronization logic.

33.4.3.2 Prescaler bypassed

In Time Counter mode, when the prescaler is bypassed, the selected prescaler clock increments the CNR on every clock cycle. When the LPTMR is enabled, the first increment will take an additional one or two prescaler clock cycles due to synchronization logic.

33.4.3.3 Glitch filter

In Pulse Counter mode, when the glitch filter is enabled, the output of the glitch filter directly clocks the CNR. When the LPTMR is first enabled, the output of the glitch filter is asserted, that is, logic 1 for active-high and logic 0 for active-low. The following table shows the change in glitch filter output with the selected input source.

If	Then
The selected input source remains deasserted for at least 2^1 to 2^{15} consecutive prescaler clock rising edges	The glitch filter output will also deassert.
The selected input source remains asserted for at least 2^1 to 2^{15} consecutive prescaler clock rising-edges	The glitch filter output will also assert.

NOTE

The input is only sampled on the rising clock edge.

The CNR will increment each time the glitch filter output asserts. In Pulse Counter mode, the maximum rate at which the CNR can increment is once every 2^2 to 2^{16} prescaler clock edges. When first enabled, the glitch filter will wait an additional one or two prescaler clock edges due to synchronization logic.

33.4.3.4 Glitch filter bypassed

In Pulse Counter mode, when the glitch filter is bypassed, the selected input source increments the CNR every time it asserts. Before the LPTMR is first enabled, the selected input source is forced to be asserted. This prevents the CNR from incrementing if the selected input source is already asserted when the LPTMR is first enabled.

33.4.4 LPTMR compare

When the CNR equals the value of the CMR and increments, the following events occur:

- CSR[TCF] is set.
- LPTMR interrupt is generated if CSR[TIE] is also set.
- LPTMR hardware trigger is generated.
- CNR is reset if CSR[TFC] is clear.

When the LPTMR is enabled, the CMR can be altered only when CSR[TCF] is set. When updating the CMR, the CMR must be written and CSR[TCF] must be cleared before the LPTMR counter has incremented past the new LPTMR compare value.

33.4.5 LPTMR counter

The CNR increments by one on every:

- Prescaler clock in Time Counter mode with prescaler bypassed
- Prescaler output in Time Counter mode with prescaler enabled
- Input source assertion in Pulse Counter mode with glitch filter bypassed
- Glitch filter output in Pulse Counter mode with glitch filter enabled

The CNR is reset when the LPTMR is disabled or if the counter register overflows. If CSR[TFC] is cleared, then the CNR is also reset whenever CSR[TCF] is set.

The CNR continues incrementing when the core is halted in Debug mode when configured for Pulse Counter mode, the CNR will stop incrementing when the core is halted in Debug mode when configured for Time Counter mode.

The CNR cannot be initialized, but can be read at any time. On each read of the CNR, software must first write to the CNR with any value. This will synchronize and register the current value of the CNR into a temporary register. The contents of the temporary register are returned on each read of the CNR.

When reading the CNR, the bus clock must be at least two times faster than the rate at which the LPTMR counter is incrementing, otherwise incorrect data may be returned.

33.4.6 LPTMR hardware trigger

The LPTMR hardware trigger asserts at the same time the CSR[TCF] is set and can be used to trigger hardware events in other peripherals without software intervention. The hardware trigger is always enabled.

When	Then
The CMR is set to 0 with CSR[TFC] clear	The LPTMR hardware trigger will assert on the first compare and does not deassert.
The CMR is set to a nonzero value, or, if CSR[TFC] is set	The LPTMR hardware trigger will assert on each compare and deassert on the following increment of the CNR.

33.4.7 LPTMR interrupt

The LPTMR interrupt is generated whenever CSR[TIE] and CSR[TCF] are set. CSR[TCF] is cleared by disabling the LPTMR or by writing a logic 1 to it.

CSR[TIE] can be altered and CSR[TCF] can be cleared while the LPTMR is enabled.

The LPTMR interrupt is generated asynchronously to the system clock and can be used to generate a wakeup from any low-power mode, including the low-leakage modes, provided the LPTMR is enabled as a wakeup source.

Chapter 34

Real Time Clock (RTC)

34.1 Introduction

NOTE

For the chip-specific implementation details of this module's instances, see the chip configuration information.

34.1.1 Features

The RTC module features include:

- 32-bit seconds counter with roll-over protection and 32-bit alarm
- 16-bit prescaler with compensation that can correct errors between 0.12 ppm and 3906 ppm
- Register write protection
 - Lock register requires POR or software reset to enable write access
- 1 Hz square wave output

34.1.2 Modes of operation

The RTC remains functional in all low power modes and can generate an interrupt to exit any low power mode.

34.1.3 RTC Signal Descriptions

Table 34-1. RTC signal descriptions

Signal	Description	I/O
RTC_CLKOUT	1 Hz square-wave output	O

34.1.3.1 RTC clock output

The clock to the seconds counter is available on the RTC_CLKOUT signal. It is a 1 Hz square wave output.

34.2 Register definition

All registers must be accessed using 32-bit writes and all register accesses incur three wait states.

Write accesses to any register by non-supervisor mode software, when the supervisor access bit in the control register is clear, will terminate with a bus error.

Read accesses by non-supervisor mode software complete as normal.

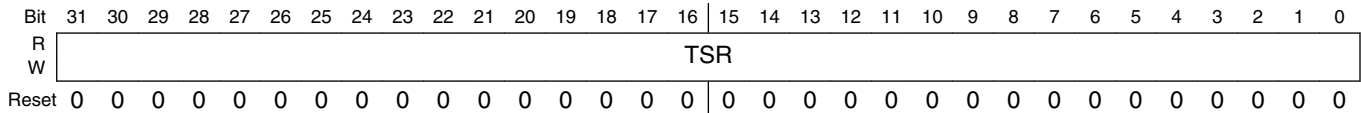
Writing to a register protected by the lock register does not generate a bus error, but the write will not complete.

RTC memory map

Absolute address (hex)	Register name	Width (in bits)	Access	Reset value	Section/page
4003_D000	RTC Time Seconds Register (RTC_TSR)	32	R/W	0000_0000h	34.2.1/601
4003_D004	RTC Time Prescaler Register (RTC_TPR)	32	R/W	0000_0000h	34.2.2/601
4003_D008	RTC Time Alarm Register (RTC_TAR)	32	R/W	0000_0000h	34.2.3/602
4003_D00C	RTC Time Compensation Register (RTC_TCR)	32	R/W	0000_0000h	34.2.4/602
4003_D010	RTC Control Register (RTC_CR)	32	R/W	0000_0000h	34.2.5/603
4003_D014	RTC Status Register (RTC_SR)	32	R/W	0000_0001h	34.2.6/605
4003_D018	RTC Lock Register (RTC_LR)	32	R/W	0000_00FFh	34.2.7/606
4003_D01C	RTC Interrupt Enable Register (RTC_IER)	32	R/W	0000_0007h	34.2.8/607

34.2.1 RTC Time Seconds Register (RTC_TSR)

Address: 4003_D000h base + 0h offset = 4003_D000h

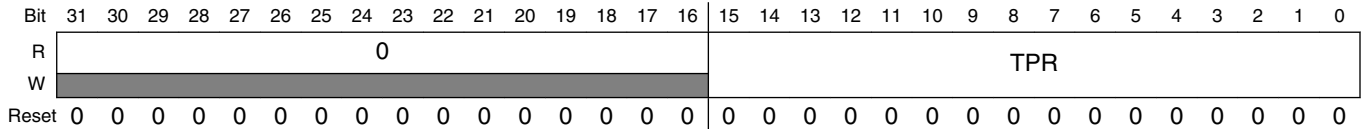


RTC_TSR field descriptions

Field	Description
31–0 TSR	<p>Time Seconds Register</p> <p>When the time counter is enabled, the TSR is read only and increments once a second provided SR[TOF] or SR[TIF] are not set. The time counter will read as zero when SR[TOF] or SR[TIF] are set. When the time counter is disabled, the TSR can be read or written. Writing to the TSR when the time counter is disabled will clear the SR[TOF] and/or the SR[TIF]. Writing to TSR with zero is supported, but not recommended because TSR will read as zero when SR[TIF] or SR[TOF] are set (indicating the time is invalid).</p>

34.2.2 RTC Time Prescaler Register (RTC_TPR)

Address: 4003_D000h base + 4h offset = 4003_D004h

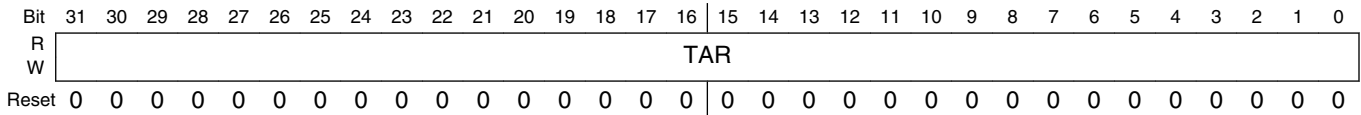


RTC_TPR field descriptions

Field	Description
31–16 Reserved	<p>This field is reserved.</p> <p>This read-only field is reserved and always has the value 0.</p>
15–0 TPR	<p>Time Prescaler Register</p> <p>When the time counter is enabled, the TPR is read only and increments every 32.768 kHz clock cycle. The time counter will read as zero when SR[TOF] or SR[TIF] are set. When the time counter is disabled, the TPR can be read or written. The TSR[TSR] increments when bit 14 of the TPR transitions from a logic one to a logic zero.</p>

34.2.3 RTC Time Alarm Register (RTC_TAR)

Address: 4003_D000h base + 8h offset = 4003_D008h

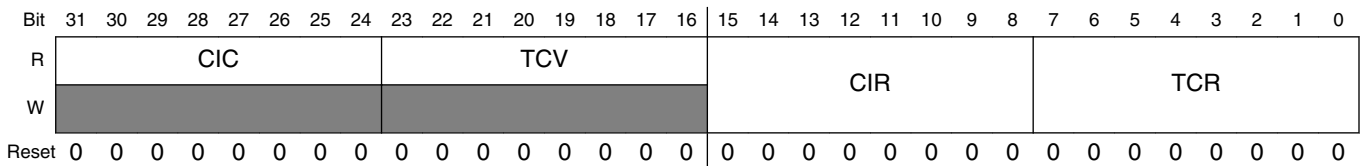


RTC_TAR field descriptions

Field	Description
31–0 TAR	Time Alarm Register When the time counter is enabled, the SR[TAF] is set whenever the TAR[TAR] equals the TSR[TSR] and the TSR[TSR] increments. Writing to the TAR clears the SR[TAF].

34.2.4 RTC Time Compensation Register (RTC_TCR)

Address: 4003_D000h base + Ch offset = 4003_D00Ch



RTC_TCR field descriptions

Field	Description
31–24 CIC	Compensation Interval Counter Current value of the compensation interval counter. If the compensation interval counter equals zero then it is loaded with the contents of the CIR. If the CIC does not equal zero then it is decremented once a second.
23–16 TCV	Time Compensation Value Current value used by the compensation logic for the present second interval. Updated once a second if the CIC equals 0 with the contents of the TCR field. If the CIC does not equal zero then it is loaded with zero (compensation is not enabled for that second increment).
15–8 CIR	Compensation Interval Register Configures the compensation interval in seconds from 1 to 256 to control how frequently the TCR should adjust the number of 32.768 kHz cycles in each second. The value written should be one less than the number of seconds. For example, write zero to configure for a compensation interval of one second. This register is double buffered and writes do not take affect until the end of the current compensation interval.
7–0 TCR	Time Compensation Register Configures the number of 32.768 kHz clock cycles in each second. This register is double buffered and writes do not take affect until the end of the current compensation interval.

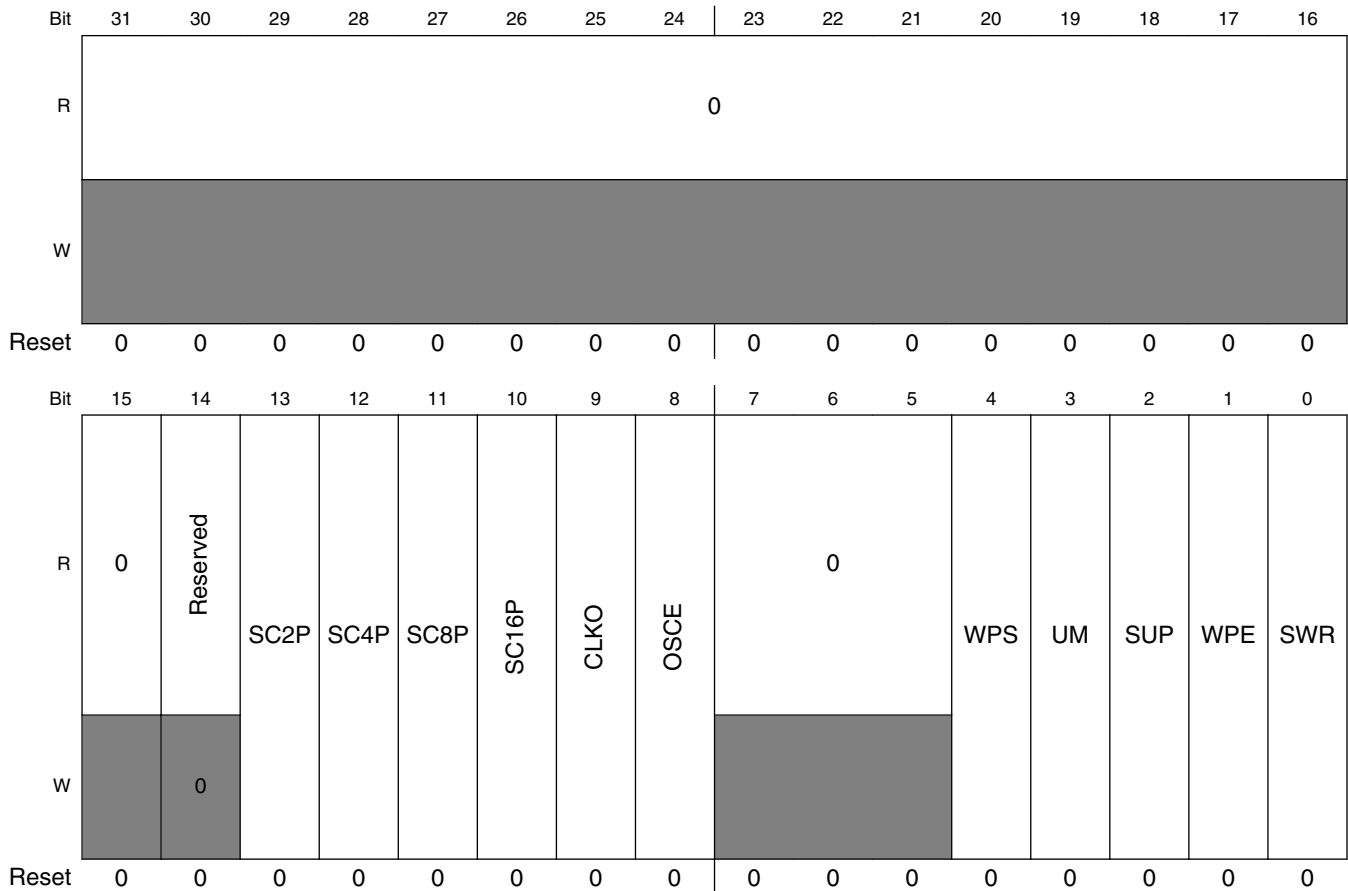
Table continues on the next page...

RTC_TCR field descriptions (continued)

Field	Description
80h	Time Prescaler Register overflows every 32896 clock cycles.
...	...
FFh	Time Prescaler Register overflows every 32769 clock cycles.
00h	Time Prescaler Register overflows every 32768 clock cycles.
01h	Time Prescaler Register overflows every 32767 clock cycles.
...	...
7Fh	Time Prescaler Register overflows every 32641 clock cycles.

34.2.5 RTC Control Register (RTC_CR)

Address: 4003_D000h base + 10h offset = 4003_D010h



RTC_CR field descriptions

Field	Description
31–15 Reserved	This field is reserved. This read-only field is reserved and always has the value 0.

Table continues on the next page...

RTC_CR field descriptions (continued)

Field	Description
14 Reserved	This field is reserved. It must always be written to 0.
13 SC2P	Oscillator 2pF Load Configure 0 Disable the load. 1 Enable the additional load.
12 SC4P	Oscillator 4pF Load Configure 0 Disable the load. 1 Enable the additional load.
11 SC8P	Oscillator 8pF Load Configure 0 Disable the load. 1 Enable the additional load.
10 SC16P	Oscillator 16pF Load Configure 0 Disable the load. 1 Enable the additional load.
9 CLKO	Clock Output 0 The 32 kHz clock is output to other peripherals. 1 The 32 kHz clock is not output to other peripherals.
8 OSCE	Oscillator Enable 0 32.768 kHz oscillator is disabled. 1 32.768 kHz oscillator is enabled. After setting this bit, wait the oscillator startup time before enabling the time counter to allow the 32.768 kHz clock time to stabilize.
7–5 Reserved	This field is reserved. This read-only field is reserved and always has the value 0.
4 WPS	Wakeup Pin Select The wakeup pin is optional and not available on all devices. 0 Wakeup pin asserts (active low, open drain) if the RTC interrupt asserts or the wakeup pin is turned on. 1 Wakeup pin instead outputs the RTC 32kHz clock, provided the wakeup pin is turned on and the 32kHz clock is output to other peripherals.
3 UM	Update Mode Allows SR[TCE] to be written even when the Status Register is locked. When set, the SR[TCE] can always be written if the SR[TIF] or SR[TOF] are set or if the SR[TCE] is clear. 0 Registers cannot be written when locked. 1 Registers can be written when locked under limited conditions.
2 SUP	Supervisor Access 0 Non-supervisor mode write accesses are not supported and generate a bus error. 1 Non-supervisor mode write accesses are supported.
1 WPE	Wakeup Pin Enable

Table continues on the next page...

RTC_CR field descriptions (continued)

Field	Description
	The wakeup pin is optional and not available on all devices. 0 Wakeup pin is disabled. 1 Wakeup pin is enabled and wakeup pin asserts if the RTC interrupt asserts or the wakeup pin is turned on.
0 SWR	Software Reset 0 No effect. 1 Resets all RTC registers except for the SWR bit . The SWR bit is cleared by POR and by software explicitly clearing it.

34.2.6 RTC Status Register (RTC_SR)

Address: 4003_D000h base + 14h offset = 4003_D014h

Bit	31	30	29	28	27	26	25	24	23	22	21	20	19	18	17	16
R	0															
W	[Shaded]															
Reset	0	0	0	0	0	0	0	0	0	0	0	0	0	0	0	0
Bit	15	14	13	12	11	10	9	8	7	6	5	4	3	2	1	0
R	0											TCE	0	TAF	TOF	TIF
W	[Shaded]											[Shaded]	[Shaded]	[Shaded]	[Shaded]	
Reset	0	0	0	0	0	0	0	0	0	0	0	0	0	0	0	1

RTC_SR field descriptions

Field	Description
31–5 Reserved	This field is reserved. This read-only field is reserved and always has the value 0.
4 TCE	Time Counter Enable When time counter is disabled the TSR register and TPR register are writeable, but do not increment. When time counter is enabled the TSR register and TPR register are not writeable, but increment. 0 Time counter is disabled. 1 Time counter is enabled.
3 Reserved	This field is reserved. This read-only field is reserved and always has the value 0.
2 TAF	Time Alarm Flag Time alarm flag is set when the TAR[TAR] equals the TSR[TSR] and the TSR[TSR] increments. This bit is cleared by writing the TAR register. 0 Time alarm has not occurred. 1 Time alarm has occurred.

Table continues on the next page...

RTC_SR field descriptions (continued)

Field	Description
1 TOF	<p>Time Overflow Flag</p> <p>Time overflow flag is set when the time counter is enabled and overflows. The TSR and TPR do not increment and read as zero when this bit is set. This bit is cleared by writing the TSR register when the time counter is disabled.</p> <p>0 Time overflow has not occurred. 1 Time overflow has occurred and time counter is read as zero.</p>
0 TIF	<p>Time Invalid Flag</p> <p>The time invalid flag is set on POR or software reset. The TSR and TPR do not increment and read as zero when this bit is set. This bit is cleared by writing the TSR register when the time counter is disabled.</p> <p>0 Time is valid. 1 Time is invalid and time counter is read as zero.</p>

34.2.7 RTC Lock Register (RTC_LR)

Address: 4003_D000h base + 18h offset = 4003_D018h

Bit	31	30	29	28	27	26	25	24	23	22	21	20	19	18	17	16
R	0															
W																
Reset	0	0	0	0	0	0	0	0	0	0	0	0	0	0	0	0
Bit	15	14	13	12	11	10	9	8	7	6	5	4	3	2	1	0
R	0								1	LRL	SRL	CRL	TCL	1		
W																
Reset	0	0	0	0	0	0	0	0	1	1	1	1	1	1	1	1

RTC_LR field descriptions

Field	Description
31–8 Reserved	This field is reserved. This read-only field is reserved and always has the value 0.
7 Reserved	This field is reserved. This read-only field is reserved and always has the value 1.
6 LRL	<p>Lock Register Lock</p> <p>After being cleared, this bit can be set only by POR or software reset.</p> <p>0 Lock Register is locked and writes are ignored. 1 Lock Register is not locked and writes complete as normal.</p>
5 SRL	<p>Status Register Lock</p> <p>After being cleared, this bit can be set only by POR or software reset.</p> <p>0 Status Register is locked and writes are ignored. 1 Status Register is not locked and writes complete as normal.</p>

Table continues on the next page...

RTC_LR field descriptions (continued)

Field	Description
4 CRL	Control Register Lock After being cleared, this bit can only be set by POR. 0 Control Register is locked and writes are ignored. 1 Control Register is not locked and writes complete as normal.
3 TCL	Time Compensation Lock After being cleared, this bit can be set only by POR or software reset. 0 Time Compensation Register is locked and writes are ignored. 1 Time Compensation Register is not locked and writes complete as normal.
2–0 Reserved	This field is reserved. This read-only field is reserved and always has the value 1.

34.2.8 RTC Interrupt Enable Register (RTC_IER)

Address: 4003_D000h base + 1Ch offset = 4003_D01Ch

Bit	31	30	29	28	27	26	25	24	23	22	21	20	19	18	17	16
R	0															
W																
Reset	0	0	0	0	0	0	0	0	0	0	0	0	0	0	0	0
Bit	15	14	13	12	11	10	9	8	7	6	5	4	3	2	1	0
R	0								WPON	Reserved	TSIE	Reserved	TAIE	TOIE	TIIE	
W																
Reset	0	0	0	0	0	0	0	0	0	0	0	0	0	1	1	1

RTC_IER field descriptions

Field	Description
31–8 Reserved	This field is reserved. This read-only field is reserved and always has the value 0.
7 WPON	Wakeup Pin On The wakeup pin is optional and not available on all devices. Whenever the wakeup pin is enabled and this bit is set, the wakeup pin will assert. 0 No effect. 1 If the wakeup pin is enabled, then the wakeup pin will assert.
6–5 Reserved	This field is reserved.

Table continues on the next page...

RTC_IER field descriptions (continued)

Field	Description
4 TSIE	Time Seconds Interrupt Enable The seconds interrupt is an edge-sensitive interrupt with a dedicated interrupt vector. It is generated once a second and requires no software overhead (there is no corresponding status flag to clear). 0 Seconds interrupt is disabled. 1 Seconds interrupt is enabled.
3 Reserved	This field is reserved.
2 TAIE	Time Alarm Interrupt Enable 0 Time alarm flag does not generate an interrupt. 1 Time alarm flag does generate an interrupt.
1 TOIE	Time Overflow Interrupt Enable 0 Time overflow flag does not generate an interrupt. 1 Time overflow flag does generate an interrupt.
0 TIIE	Time Invalid Interrupt Enable 0 Time invalid flag does not generate an interrupt. 1 Time invalid flag does generate an interrupt.

34.3 Functional description

34.3.1 Power, clocking, and reset

The RTC is an always powered block that remains active in all low power modes.

The time counter within the RTC is clocked by a 32.768 kHz clock sourced from an external crystal using the oscillator.

The power-on-reset signal initializes all RTC registers to their default state. A software reset bit can also initialize all RTC registers.

34.3.1.1 Oscillator control

The 32.768 kHz crystal oscillator is disabled at POR and must be enabled by software. After enabling the crystal oscillator, wait the oscillator startup time before setting SR[TCE] or using the oscillator clock external to the RTC.

The crystal oscillator includes tunable capacitors that can be configured by software. Do not change the capacitance unless the oscillator is disabled.

34.3.1.2 Software reset

Writing one to the CR[SWR] forces the equivalent of a POR to the rest of the RTC module. The CR[SWR] is not affected by the software reset and must be cleared by software.

34.3.1.3 Supervisor access

When the supervisor access control bit is clear, only supervisor mode software can write to the RTC registers, non-supervisor mode software will generate a bus error. Both supervisor and non-supervisor mode software can always read the RTC registers.

34.3.2 Time counter

The time counter consists of a 32-bit seconds counter that increments once every second and a 16-bit prescaler register that increments once every 32.768 kHz clock cycle.

The time seconds register and time prescaler register can be written only when SR[TCE] is clear. Always write to the prescaler register before writing to the seconds register, because the seconds register increments on the falling edge of bit 14 of the prescaler register.

The time prescaler register increments provided SR[TCE] is set, SR[TIF] is clear, SR[TOF] is clear, and the 32.768 kHz clock source is present. After enabling the oscillator, wait the oscillator startup time before setting SR[TCE] to allow time for the oscillator clock output to stabilize.

If the time seconds register overflows then the SR[TOF] will set and the time prescaler register will stop incrementing. Clear SR[TOF] by initializing the time seconds register. The time seconds register and time prescaler register read as zero whenever SR[TOF] is set.

SR[TIF] is set on POR and software reset and is cleared by initializing the time seconds register. The time seconds register and time prescaler register read as zero whenever SR[TIF] is set.

34.3.3 Compensation

The compensation logic provides an accurate and wide compensation range and can correct errors as high as 3906 ppm and as low as 0.12 ppm. The compensation factor must be calculated externally to the RTC and supplied by software to the compensation register. The RTC itself does not calculate the amount of compensation that is required, although the 1 Hz clock is output to an external pin in support of external calibration logic.

Crystal compensation can be supported by using firmware and crystal characteristics to determine the compensation amount. Temperature compensation can be supported by firmware that periodically measures the external temperature via ADC and updates the compensation register based on a look-up table that specifies the change in crystal frequency over temperature.

The compensation logic alters the number of 32.768 kHz clock cycles it takes for the prescaler register to overflow and increment the time seconds counter. The time compensation value is used to adjust the number of clock cycles between -127 and +128. Cycles are added or subtracted from the prescaler register when the prescaler register equals 0x3FFF and then increments. The compensation interval is used to adjust the frequency at which the time compensation value is used, that is, from once a second to once every 256 seconds.

Updates to the time compensation register will not take effect until the next time the time seconds register increments and provided the previous compensation interval has expired. When the compensation interval is set to other than once a second then the compensation is applied in the first second interval and the remaining second intervals receive no compensation.

Compensation is disabled by configuring the time compensation register to zero.

34.3.4 Time alarm

The time alarm register, SR[TAF], and IER[TAIE] allow the RTC to generate an interrupt at a predefined time. The 32-bit time alarm register is compared with the 32-bit time seconds register each time it increments. The SR[TAF] will set when the time alarm register equals the time seconds register and the time seconds register increments.

The time alarm flag is cleared by writing the time alarm register. This will usually be the next alarm value, although writing a value that is less than the time seconds register, such as zero, will prevent the time alarm flag from setting again. The time alarm flag cannot otherwise be disabled, although the interrupt it generates is enabled or disabled by IER[TAIE].

34.3.5 Update mode

The Update Mode bit in the Control register (CR[UM]) configures software write access to the Time Counter Enable (SR[TCE]) bit. When CR[UM] is clear, SR[TCE] can be written only when the LR[SRL] bit is set. When CR[UM] is set, the SR[TCE] can also be written when SR[TCE] is clear or when SR[TIF] or SR[TOF] are set. This allows the time seconds and prescaler registers to be initialized whenever time is invalidated, while preventing the time seconds and prescaler registers from being changed on the fly. When LR[SRL] is set, CR[UM] has no effect on SR[TCE].

34.3.6 Register lock

The lock register can be used to block write accesses to certain registers until the next POR or software reset. Locking the control register will disable the software reset. Locking the lock register will block future updates to the lock register.

Write accesses to a locked register are ignored and do not generate a bus error.

34.3.7 Interrupt

The RTC interrupt is asserted whenever a status flag and the corresponding interrupt enable bit are both set. It is always asserted on POR, and software reset. The RTC interrupt is enabled at the chip level by enabling the chip-specific RTC clock gate control bit. The RTC interrupt can be used to wakeup the chip from any low-power mode.

The optional RTC seconds interrupt is an edge-sensitive interrupt with a dedicated interrupt vector that is generated once a second and requires no software overhead (there is no corresponding status flag to clear). It is enabled in the RTC by the time seconds interrupt enable bit and enabled at the chip level by setting the chip-specific RTC clock gate control bit. This interrupt is optional and may not be implemented on all devices.

Chapter 35

Serial Peripheral Interface (SPI)

35.1 Introduction

NOTE

For the chip-specific implementation details of this module's instances, see the chip configuration information.

The serial peripheral interface (SPI) module provides for full-duplex, synchronous, serial communication between the MCU and peripheral devices. These peripheral devices can include other microcontrollers, analog-to-digital converters, shift registers, sensors, and memories, among others.

The SPI runs at a baud rate up to the SPI module clock divided by two in master mode and up to the SPI module clock divided by four in slave mode. Software can poll the status flags, or SPI operation can be interrupt driven.

NOTE

For the actual maximum SPI baud rate, refer to the Chip Configuration details and to the device's Data Sheet.

The SPI also supports a data length of 8 or 16 bits and includes a hardware match feature for the receive data buffer.

The SPI includes an internal DMA interface to support continuous SPI transmission through an on-chip DMA controller instead of through the CPU. This feature decreases CPU loading, allowing CPU time to be used for other work.

35.1.1 Features

The SPI includes these distinctive features:

- Master mode or slave mode operation

- Full-duplex or single-wire bidirectional mode
- Programmable transmit bit rate
- Double-buffered transmit and receive data register
- Serial clock phase and polarity options
- Slave select output
- Mode fault error flag with CPU interrupt capability
- Control of SPI operation during wait mode
- Selectable MSB-first or LSB-first shifting
- Programmable 8- or 16-bit data transmission length
- Receive data buffer hardware match feature
- 64-bit FIFO mode for high speed/large amounts of data transfers
- Support transmission of both Transmit and Receive by DMA

35.1.2 Modes of operation

The SPI functions in the following three modes.

- Run mode

This is the basic mode of operation.

- Wait mode

SPI operation in Wait mode is a configurable low power mode, controlled by the SPISWAI bit located in the SPIx_C2 register. In Wait mode, if C2[SPISWAI] is clear, the SPI operates like in Run mode. If C2[SPISWAI] is set, the SPI goes into a power conservative state, with the SPI clock generation turned off. If the SPI is configured as a master, any transmission in progress stops, but is resumed after CPU enters Run mode. If the SPI is configured as a slave, reception and transmission of a byte continues, so that the slave stays synchronized to the master.

- Stop mode

To reduce power consumption, the SPI is inactive in stop modes where the peripheral bus clock is stopped but internal logic states are retained. If the SPI is configured as a master, any transmission in progress stops, but is resumed after the CPU enters run mode. If the SPI is configured as a slave, reception and transmission of a data continues, so that the slave stays synchronized to the master.

The SPI is completely disabled in Stop modes where the peripheral bus clock is stopped and internal logic states are not retained. When the CPU wakes from these Stop modes, all SPI register content is reset.

Detailed descriptions of operating modes appear in [Low-power mode options](#).

35.1.3 Block diagrams

This section includes block diagrams showing SPI system connections, the internal organization of the SPI module, and the SPI clock dividers that control the master mode bit rate.

35.1.3.1 SPI system block diagram

The following figure shows the SPI modules of two MCUs connected in a master-slave arrangement. The master device initiates all SPI data transfers. During a transfer, the master shifts data out (on the MOSI pin) to the slave while simultaneously shifting data in (on the MISO pin) from the slave. The transfer effectively exchanges the data that was in the SPI shift registers of the two SPI systems. The SPSCK signal is a clock output from the master and an input to the slave. The slave device must be selected by a low level on the slave select input (SS pin). In this system, the master device has configured its SS pin as an optional slave select output.

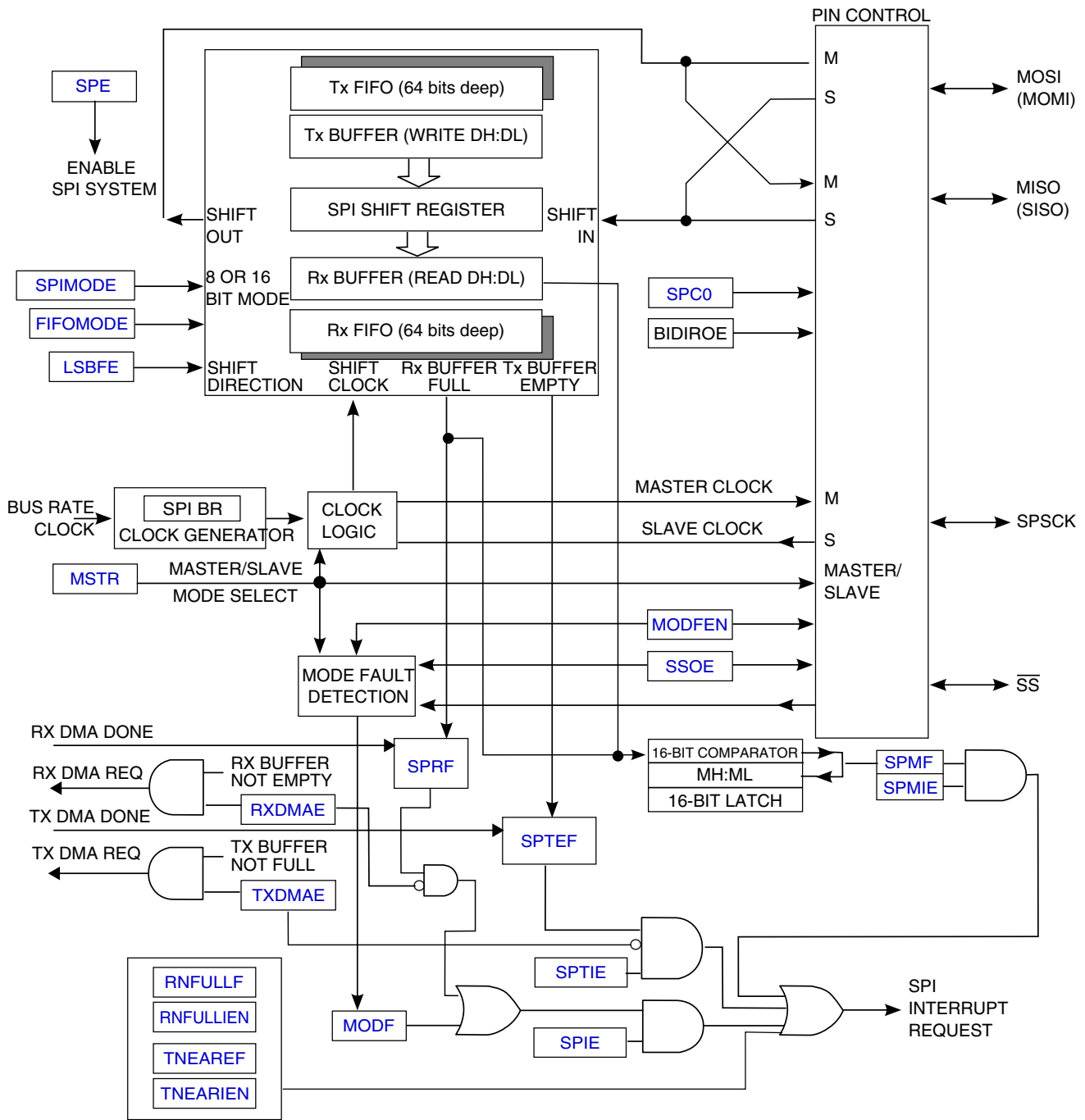


Figure 35-2. SPI Module Block Diagram with FIFO

35.2 External signal description

The SPI optionally shares four port pins. The function of these pins depends on the settings of SPI control bits. When the SPI is disabled (SPE = 0), these four pins revert to other functions that are not controlled by the SPI (based on chip configuration).

35.2.1 SPSCCK — SPI Serial Clock

When the SPI is enabled as a slave, this pin is the serial clock input. When the SPI is enabled as a master, this pin is the serial clock output.

35.2.2 MOSI — Master Data Out, Slave Data In

When the SPI is enabled as a master and SPI pin control zero (SPC0) is 0 (not bidirectional mode), this pin is the serial data output. When the SPI is enabled as a slave and SPC0 is 0, this pin is the serial data input. If SPC0 is 1 to select single-wire bidirectional mode, and master mode is selected, this pin becomes the bidirectional data I/O pin (MOMI). Also, the bidirectional mode output enable bit determines whether the pin acts as an input (BIDIROE is 0) or an output (BIDIROE is 1). If SPC0 is 1 and slave mode is selected, this pin is not used by the SPI and reverts to other functions (based on chip configuration).

35.2.3 MISO — Master Data In, Slave Data Out

When the SPI is enabled as a master and SPI pin control zero (SPC0) is 0 (not bidirectional mode), this pin is the serial data input. When the SPI is enabled as a slave and SPC0 is 0, this pin is the serial data output. If SPC0 is 1 to select single-wire bidirectional mode, and slave mode is selected, this pin becomes the bidirectional data I/O pin (SISO), and the bidirectional mode output enable bit determines whether the pin acts as an input (BIDIROE is 0) or an output (BIDIROE is 1). If SPC0 is 1 and master mode is selected, this pin is not used by the SPI and reverts to other functions (based on chip configuration).

35.2.4 \overline{SS} — Slave Select

When the SPI is enabled as a slave, this pin is the low-true slave select input. When the SPI is enabled as a master and mode fault enable is off (MODFEN is 0), this pin is not used by the SPI and reverts to other functions (based on chip configuration). When the SPI is enabled as a master and MODFEN is 1, the slave select output enable bit determines whether this pin acts as the mode fault input (SSOE is 0) or as the slave select output (SSOE is 1).

35.3 Memory map/register definition

The SPI has 8-bit registers to select SPI options, to control baud rate, to report SPI status, to hold an SPI data match value, and for transmit/receive data.

SPI memory map

Absolute address (hex)	Register name	Width (in bits)	Access	Reset value	Section/page
4007_6000	SPI Status Register (SPI0_S)	8	R	20h	35.3.1/619
4007_6001	SPI Baud Rate Register (SPI0_BR)	8	R/W	00h	35.3.2/623
4007_6002	SPI Control Register 2 (SPI0_C2)	8	R/W	00h	35.3.3/624
4007_6003	SPI Control Register 1 (SPI0_C1)	8	R/W	04h	35.3.4/625
4007_6004	SPI Match Register low (SPI0_ML)	8	R/W	00h	35.3.5/627
4007_6005	SPI match register high (SPI0_MH)	8	R/W	00h	35.3.6/628
4007_6006	SPI Data Register low (SPI0_DL)	8	R/W	00h	35.3.7/628
4007_6007	SPI data register high (SPI0_DH)	8	R/W	00h	35.3.8/629
4007_600A	SPI clear interrupt register (SPI0_CI)	8	R/W	00h	35.3.9/629
4007_600B	SPI control register 3 (SPI0_C3)	8	R/W	00h	35.3.10/631
4007_7000	SPI Status Register (SPI1_S)	8	R	20h	35.3.1/619
4007_7001	SPI Baud Rate Register (SPI1_BR)	8	R/W	00h	35.3.2/623
4007_7002	SPI Control Register 2 (SPI1_C2)	8	R/W	00h	35.3.3/624
4007_7003	SPI Control Register 1 (SPI1_C1)	8	R/W	04h	35.3.4/625
4007_7004	SPI Match Register low (SPI1_ML)	8	R/W	00h	35.3.5/627
4007_7005	SPI match register high (SPI1_MH)	8	R/W	00h	35.3.6/628
4007_7006	SPI Data Register low (SPI1_DL)	8	R/W	00h	35.3.7/628
4007_7007	SPI data register high (SPI1_DH)	8	R/W	00h	35.3.8/629
4007_700A	SPI clear interrupt register (SPI1_CI)	8	R/W	00h	35.3.9/629
4007_700B	SPI control register 3 (SPI1_C3)	8	R/W	00h	35.3.10/631

35.3.1 SPI Status Register (SPIx_S)

This register contains read-only status bits. Writes have no meaning or effect.

When the FIFO is supported and enabled (FIFOMODE is 1): This register has four flags that provide mechanisms to support an 8-byte FIFO mode: RNFULLF, TNEARF, TXFULLF, and RFIFOEF. When the SPI is in 8-byte FIFO mode, the function of SPRF

and SPTEF differs slightly from their function in the normal buffered modes, mainly regarding how these flags are cleared by the amount available in the transmit and receive FIFOs.

- The RNFULLF and TNEAREF help improve the efficiency of FIFO operation when transferring large amounts of data. These flags provide a "watermark" feature of the FIFOs to allow continuous transmissions of data when running at high speed.
- The RNFULLF can generate an interrupt if the RNFULLIEN bit in the C3 register is set, which allows the CPU to start emptying the receive FIFO without delaying the reception of subsequent bytes. The user can also determine if all data in the receive FIFO has been read by monitoring the RFIFOEF.
- The TNEAREF can generate an interrupt if the TNEARIEN bit in the C3 register is set, which allows the CPU to start filling the transmit FIFO before it is empty and thus to prevent breaks in SPI transmission.

NOTE

At an initial POR, the values of TNEAREF and RFIFOEF are 0. However, the status (S) register and both TX and RX FIFOs are reset due to a change of SPIMODE, FIFOMODE or SPE. If this type of reset occurs and FIFOMODE is 0, TNEAREF and RFIFOEF continue to reset to 0. If this type of reset occurs and FIFOMODE is 1, TNEAREF and RFIFOEF reset to 1.

Address: 4007_6000h base + 0h offset = 4007_6000h

Bit	7	6	5	4	3	2	1	0
Read	SPRF	SPMF	SPTEF	MODF	RNFULLF	TNEAREF	TXFULLF	RFIFOEF
Write								
Reset	0	0	1	0	0	0	0	0

SPI0_S field descriptions

Field	Description
7 SPRF	<p>SPI Read Buffer Full Flag (when FIFO is not supported or not enabled) or SPI read FIFO FULL flag (when FIFO is supported and enabled)</p> <p>When the FIFO is not supported or not enabled (FIFOMODE is not present or is 0): SPRF is set at the completion of an SPI transfer to indicate that received data may be read from the SPI data (DH:DL) register. When the receive DMA request is disabled (RXDMAE is 0), SPRF is cleared by reading SPRF while it is set and then reading the SPI data register. When the receive DMA request is enabled (RXDMAE is 1), SPRF is automatically cleared when the DMA transfer for the receive DMA request is completed (RX DMA Done is asserted).</p> <p>When FIFOMODE is 1: This bit indicates the status of the read FIFO when FIFOMODE is enabled. The SPRF is set when the read FIFO has received 64 bits (4 words or 8 bytes) of data from the shifter and there have been no CPU reads of the SPI data (DH:DL) register. When the receive DMA request is disabled (RXDMAE is 0), SPRF is cleared by reading the SPI data register, resulting in the FIFO no longer being full, assuming another SPI message is not received. When the receive DMA request is enabled (RXDMAE is 1), SPRF is automatically cleared when the first DMA transfer for the receive DMA request is completed (RX DMA Done is asserted).</p>

Table continues on the next page...

SPI0_S field descriptions (continued)

Field	Description
	<p>0 No data available in the receive data buffer (when FIFOMODE is not present or is 0) or Read FIFO is not full (when FIFOMODE is 1)</p> <p>1 Data available in the receive data buffer (when FIFOMODE is not present or is 0) or Read FIFO is full (when FIFOMODE is 1)</p>
6 SPMF	<p>SPI Match Flag</p> <p>SPMF is set after SPRF is 1 when the value in the receive data buffer matches the value in the MH:ML registers. To clear the flag, read SPMF when it is set and then write a 1 to it.</p> <p>0 Value in the receive data buffer does not match the value in the MH:ML registers</p> <p>1 Value in the receive data buffer matches the value in the MH:ML registers</p>
5 SPTEF	<p>SPI Transmit Buffer Empty Flag (when FIFO is not supported or not enabled) or SPI transmit FIFO empty flag (when FIFO is supported and enabled)</p> <p>When the FIFO is not supported or not enabled (FIFOMODE is not present or is 0): This bit is set when the transmit data buffer is empty. When the transmit DMA request is disabled (TXDMAE is 0), SPTEF is cleared by reading the S register with SPTEF set and then writing a data value to the transmit buffer at DH:DL. The S register must be read with SPTEF set to 1 before writing data to the DH:DL register; otherwise, the DH:DL write is ignored. When the transmit DMA request is enabled (TXDMAE is 1), SPTEF is automatically cleared when the DMA transfer for the transmit DMA request is completed (TX DMA Done is asserted). SPTEF is automatically set when all data from the transmit buffer transfers into the transmit shift register. For an idle SPI, data written to DH:DL is transferred to the shifter almost immediately so that SPTEF is set within two bus cycles, allowing a second set of data to be queued into the transmit buffer. After completion of the transfer of the data in the shift register, the queued data from the transmit buffer automatically moves to the shifter, and SPTEF is set to indicate that room exists for new data in the transmit buffer. If no new data is waiting in the transmit buffer, SPTEF simply remains set and no data moves from the buffer to the shifter.</p> <p>When the FIFO is supported and enabled (FIFOMODE is 1): This bit provides the status of the FIFO rather than an 8-bit or a 16-bit buffer. This bit is set when the transmit FIFO is empty. When the transmit DMA request is disabled (TXDMAE is 0), SPTEF is cleared by writing a data value to the transmit FIFO at DH:DL. When the transmit DMA request is enabled (TXDMAE is 1), SPTEF is automatically cleared when the DMA transfer for the transmit DMA request is completed (TX DMA Done is asserted). SPTEF is automatically set when all data from the transmit FIFO transfers into the transmit shift register. For an idle SPI, data written to the DH:DL register is transferred to the shifter almost immediately, so that SPTEF is set within two bus cycles. A second write of data to the DH:DL register clears this SPTEF flag. After completion of the transfer of the data in the shift register, the queued data from the transmit FIFO automatically moves to the shifter, and SPTEF will be set only when all data written to the transmit FIFO has been transferred to the shifter. If no new data is waiting in the transmit FIFO, SPTEF simply remains set and no data moves from the buffer to the shifter.</p> <p>0 SPI transmit buffer not empty (when FIFOMODE is not present or is 0) or SPI FIFO not empty (when FIFOMODE is 1)</p> <p>1 SPI transmit buffer empty (when FIFOMODE is not present or is 0) or SPI FIFO empty (when FIFOMODE is 1)</p>
4 MODF	<p>Master Mode Fault Flag</p> <p>MODF is set if the SPI is configured as a master and the slave select input goes low, indicating some other SPI device is also configured as a master. The \overline{SS} pin acts as a mode fault error input only when C1[MSTR] is 1, C2[MODFEN] is 1, and C1[SSE] is 0; otherwise, MODF will never be set. MODF is cleared by reading MODF while it is 1 and then writing to the SPI Control Register 1 (C1).</p> <p>0 No mode fault error</p> <p>1 Mode fault error detected</p>

Table continues on the next page...

SPI0_S field descriptions (continued)

Field	Description
3 RNFULLF	<p>Receive FIFO nearly full flag</p> <p>This flag is set when more than three 16-bit words or six 8-bit bytes of data remain in the receive FIFO, provided C3[RNFULLF_MARK] is 0, or when more than two 16-bit words or four 8-bit bytes of data remain in the receive FIFO, provided C3[RNFULLF_MARK] is 1. It has no function if FIFOMODE is not present or is 0.</p> <p>0 Receive FIFO has received less than 48 bits (when C3[RNFULLF_MARK] is 0) or less than 32 bits (when C3[RNFULLF_MARK] is 1)</p> <p>1 Receive FIFO has received data of an amount equal to or greater than 48 bits (when C3[RNFULLF_MARK] is 0) or 32 bits (when C3[RNFULLF_MARK] is 1)</p>
2 TNEAREF	<p>Transmit FIFO nearly empty flag</p> <p>This flag is set when only one 16-bit word or two 8-bit bytes of data remain in the transmit FIFO, provided C3[TNEAREF_MARK] is 0, or when only two 16-bit words or four 8-bit bytes of data remain in the transmit FIFO, provided C3[TNEAREF_MARK] is 1. If FIFOMODE is not enabled, ignore this bit.</p> <p>NOTE: At an initial POR, the values of TNEAREF and RFIFOEF are 0. However, the status (S) register and both TX and RX FIFOs are reset due to a change of SPIMODE, FIFOMODE or SPE. If this type of reset occurs and FIFOMODE is 0, TNEAREF and RFIFOEF continue to reset to 0. If this type of reset occurs and FIFOMODE is 1, TNEAREF and RFIFOEF reset to 1.</p> <p>0 Transmit FIFO has more than 16 bits (when C3[TNEAREF_MARK] is 0) or more than 32 bits (when C3[TNEAREF_MARK] is 1) remaining to transmit</p> <p>1 Transmit FIFO has an amount of data equal to or less than 16 bits (when C3[TNEAREF_MARK] is 0) or 32 bits (when C3[TNEAREF_MARK] is 1) remaining to transmit</p>
1 TXFULLF	<p>Transmit FIFO full flag</p> <p>This bit indicates the status of the transmit FIFO when FIFOMODE is enabled. This flag is set when there are 8 bytes in the transmit FIFO. If FIFOMODE is not enabled, ignore this bit.</p> <p>When FIFOMODE and DMA are both enabled, the inverted TXFULLF is used to trigger a DMA transfer. So when the transmit FIFO is not full, the DMA request is active, and remains active until the FIFO is full.</p> <p>0 Transmit FIFO has less than 8 bytes</p> <p>1 Transmit FIFO has 8 bytes of data</p>
0 RFIFOEF	<p>SPI read FIFO empty flag</p> <p>This bit indicates the status of the read FIFO when FIFOMODE is enabled. If FIFOMODE is not enabled, ignore this bit.</p> <p>When FIFOMODE and DMA are both enabled, the inverted RXIFOEF is used to trigger a DMA transfer. So when the receive FIFO is not empty, the DMA request is active, and remains active until the FIFO is empty.</p> <p>NOTE: At an initial POR, the values of TNEAREF and RFIFOEF are 0. However, the status (S) register and both TX and RX FIFOs are reset due to a change of SPIMODE, FIFOMODE or SPE. If this type of reset occurs and FIFOMODE is 0, TNEAREF and RFIFOEF continue to reset to 0. If this type of reset occurs and FIFOMODE is 1, TNEAREF and RFIFOEF reset to 1.</p> <p>0 Read FIFO has data. Reads of the DH:DL registers in 16-bit mode or the DL register in 8-bit mode will empty the read FIFO.</p> <p>1 Read FIFO is empty.</p>

35.3.2 SPI Baud Rate Register (SPIx_BR)

Use this register to set the prescaler and bit rate divisor for an SPI master. This register may be read or written at any time.

Address: 4007_6000h base + 1h offset = 4007_6001h

Bit	7	6	5	4	3	2	1	0
Read	0	SPPR[2:0]			SPR[3:0]			
Write								
Reset	0	0	0	0	0	0	0	0

SPIO_BR field descriptions

Field	Description
7 Reserved	This field is reserved. This read-only field is reserved and always has the value 0.
6–4 SPPR[2:0]	<p>SPI Baud Rate Prescale Divisor</p> <p>This 3-bit field selects one of eight divisors for the SPI baud rate prescaler. The input to this prescaler is the bus rate clock (BUSCLK). The output of this prescaler drives the input of the SPI baud rate divider. Refer to the description of “SPI Baud Rate Generation” for details.</p> <p>000 Baud rate prescaler divisor is 1. 001 Baud rate prescaler divisor is 2. 010 Baud rate prescaler divisor is 3. 011 Baud rate prescaler divisor is 4. 100 Baud rate prescaler divisor is 5. 101 Baud rate prescaler divisor is 6. 110 Baud rate prescaler divisor is 7. 111 Baud rate prescaler divisor is 8.</p>
3–0 SPR[3:0]	<p>SPI Baud Rate Divisor</p> <p>This 4-bit field selects one of nine divisors for the SPI baud rate divider. The input to this divider comes from the SPI baud rate prescaler. Refer to the description of “SPI Baud Rate Generation” for details.</p> <p>0000 Baud rate divisor is 2. 0001 Baud rate divisor is 4. 0010 Baud rate divisor is 8. 0011 Baud rate divisor is 16. 0100 Baud rate divisor is 32. 0101 Baud rate divisor is 64. 0110 Baud rate divisor is 128. 0111 Baud rate divisor is 256. 1000 Baud rate divisor is 512. All others Reserved</p>

35.3.3 SPI Control Register 2 (SPIx_C2)

This read/write register is used to control optional features of the SPI system.

Address: 4007_6000h base + 2h offset = 4007_6002h

Bit	7	6	5	4	3	2	1	0
Read								
Write								
Reset	0	0	0	0	0	0	0	0
	SPMIE	SPIMODE	TXDMAE	MODFEN	BIDIROE	RXDMAE	SPISWAI	SPC0

SPI0_C2 field descriptions

Field	Description
7 SPMIE	<p>SPI Match Interrupt Enable</p> <p>This is the interrupt enable bit for the SPI receive data buffer hardware match (SPMF) function.</p> <p>0 Interrupts from SPMF inhibited (use polling) 1 When SPMF is 1, requests a hardware interrupt</p>
6 SPIMODE	<p>SPI 8-bit or 16-bit mode</p> <p>This bit allows the user to select either an 8-bit or 16-bit SPI data transmission length. In master mode, a change of this bit aborts a transmission in progress, forces the SPI system into an idle state, and resets all status bits in the S register. Refer to the description of “Data Transmission Length” for details.</p> <p>0 8-bit SPI shift register, match register, and buffers 1 16-bit SPI shift register, match register, and buffers</p>
5 TXDMAE	<p>Transmit DMA enable</p> <p>This bit enables a transmit DMA request. When this bit is set to 1, a transmit DMA request is asserted when both SPTEF and SPE are set, and the interrupt from SPTEF is disabled.</p> <p>0 DMA request for transmit is disabled and interrupt from SPTEF is allowed 1 DMA request for transmit is enabled and interrupt from SPTEF is disabled</p>
4 MODFEN	<p>Master Mode-Fault Function Enable</p> <p>When the SPI is configured for slave mode, this bit has no meaning or effect. (The \overline{SS} pin is the slave select input.) In master mode, this bit determines how the \overline{SS} pin is used. For details, refer to the description of the SSOE bit in the C1 register.</p> <p>0 Mode fault function disabled, master \overline{SS} pin reverts to general-purpose I/O not controlled by SPI 1 Mode fault function enabled, master \overline{SS} pin acts as the mode fault input or the slave select output</p>
3 BIDIROE	<p>Bidirectional Mode Output Enable</p> <p>When bidirectional mode is enabled because SPI pin control 0 (SPC0) is set to 1, BIDIROE determines whether the SPI data output driver is enabled to the single bidirectional SPI I/O pin. Depending on whether the SPI is configured as a master or a slave, it uses the MOSI (MOMI) or MISO (SISO) pin, respectively, as the single SPI data I/O pin. When SPC0 is 0, BIDIROE has no meaning or effect.</p> <p>0 Output driver disabled so SPI data I/O pin acts as an input 1 SPI I/O pin enabled as an output</p>

Table continues on the next page...

SPI0_C2 field descriptions (continued)

Field	Description
2 RXDMAE	<p>Receive DMA enable</p> <p>This is the enable bit for a receive DMA request. When this bit is set to 1, a receive DMA request is asserted when both SPRF and SPE are set, and the interrupt from SPRF is disabled.</p> <p>0 DMA request for receive is disabled and interrupt from SPRF is allowed 1 DMA request for receive is enabled and interrupt from SPRF is disabled</p>
1 SPISWAI	<p>SPI Stop in Wait Mode</p> <p>This bit is used for power conservation while the device is in Wait mode.</p> <p>0 SPI clocks continue to operate in Wait mode. 1 SPI clocks stop when the MCU enters Wait mode.</p>
0 SPC0	<p>SPI Pin Control 0</p> <p>Enables bidirectional pin configurations.</p> <p>0 SPI uses separate pins for data input and data output (pin mode is normal). In master mode of operation: MISO is master in and MOSI is master out. In slave mode of operation: MISO is slave out and MOSI is slave in.</p> <p>1 SPI configured for single-wire bidirectional operation (pin mode is bidirectional). In master mode of operation: MISO is not used by SPI; MOSI is master in when BIDIROE is 0 or master I/O when BIDIROE is 1. In slave mode of operation: MISO is slave in when BIDIROE is 0 or slave I/O when BIDIROE is 1; MOSI is not used by SPI.</p>

35.3.4 SPI Control Register 1 (SPIx_C1)

This read/write register includes the SPI enable control, interrupt enables, and configuration options.

Address: 4007_6000h base + 3h offset = 4007_6003h

Bit	7	6	5	4	3	2	1	0
Read	SPIE	SPE	SPTIE	MSTR	CPOL	CPHA	SSOE	LSBFE
Write								
Reset	0	0	0	0	0	1	0	0

SPI0_C1 field descriptions

Field	Description
7 SPIE	<p>SPI Interrupt Enable: for SPRF and MODF (when FIFO is not supported or not enabled) or for read FIFO (when FIFO is supported and enabled)</p> <p>When the FIFO is not supported or not enabled (FIFOMODE is not present or is 0): Enables the interrupt for SPI receive buffer full (SPRF) and mode fault (MODF) events.</p>

Table continues on the next page...

SPI0_C1 field descriptions (continued)

Field	Description
	<p>When the FIFO is supported and enabled (FIFOMODE is 1): This bit enables the SPI to interrupt the CPU when the receive FIFO is full. An interrupt occurs when the SPRF bit is set or the MODF bit is set.</p> <p>0 Interrupts from SPRF and MODF are inhibited—use polling (when FIFOMODE is not present or is 0) or Read FIFO Full Interrupts are disabled (when FIFOMODE is 1)</p> <p>1 Request a hardware interrupt when SPRF or MODF is 1 (when FIFOMODE is not present or is 0) or Read FIFO Full Interrupts are enabled (when FIFOMODE is 1)</p>
6 SPE	<p>SPI System Enable</p> <p>Enables the SPI system and dedicates the SPI port pins to SPI system functions. If SPE is cleared, the SPI is disabled and forced into an idle state, and all status bits in the S register are reset.</p> <p>0 SPI system inactive</p> <p>1 SPI system enabled</p>
5 SPTIE	<p>SPI Transmit Interrupt Enable</p> <p>When the FIFO is not supported or not enabled (FIFOMODE is not present or is 0): This is the interrupt enable bit for SPI transmit buffer empty (SPTEF). An interrupt occurs when the SPI transmit buffer is empty (SPTEF is set).</p> <p>When the FIFO is supported and enabled (FIFOMODE is 1): This is the interrupt enable bit for SPI transmit FIFO empty (SPTEF). An interrupt occurs when the SPI transmit FIFO is empty (SPTEF is set).</p> <p>0 Interrupts from SPTEF inhibited (use polling)</p> <p>1 When SPTEF is 1, hardware interrupt requested</p>
4 MSTR	<p>Master/Slave Mode Select</p> <p>Selects master or slave mode operation.</p> <p>0 SPI module configured as a slave SPI device</p> <p>1 SPI module configured as a master SPI device</p>
3 CPOL	<p>Clock Polarity</p> <p>Selects an inverted or non-inverted SPI clock. To transmit data between SPI modules, the SPI modules must have identical CPOL values.</p> <p>This bit effectively places an inverter in series with the clock signal either from a master SPI device or to a slave SPI device. Refer to the description of “SPI Clock Formats” for details.</p> <p>0 Active-high SPI clock (idles low)</p> <p>1 Active-low SPI clock (idles high)</p>
2 CPHA	<p>Clock Phase</p> <p>Selects one of two clock formats for different kinds of synchronous serial peripheral devices. Refer to the description of “SPI Clock Formats” for details.</p> <p>0 First edge on SPSCCK occurs at the middle of the first cycle of a data transfer.</p> <p>1 First edge on SPSCCK occurs at the start of the first cycle of a data transfer.</p>
1 SSOE	<p>Slave Select Output Enable</p> <p>This bit is used in combination with the Mode Fault Enable (MODFEN) field in the C2 register and the Master/Slave (MSTR) control bit to determine the function of the \overline{SS} pin.</p> <p>0 When C2[MODFEN] is 0: In master mode, \overline{SS} pin function is general-purpose I/O (not SPI). In slave mode, \overline{SS} pin function is slave select input.</p>

Table continues on the next page...

SPI0_C1 field descriptions (continued)

Field	Description
1	<p>When C2[MODFEN] is 1: In master mode, \overline{SS} pin function is \overline{SS} input for mode fault. In slave mode, \overline{SS} pin function is slave select input.</p> <p>When C2[MODFEN] is 0: In master mode, \overline{SS} pin function is general-purpose I/O (not SPI). In slave mode, \overline{SS} pin function is slave select input.</p> <p>When C2[MODFEN] is 1: In master mode, \overline{SS} pin function is automatic \overline{SS} output. In slave mode: \overline{SS} pin function is slave select input.</p>
0 LSBFE	<p>LSB First (shifter direction)</p> <p>This bit does not affect the position of the MSB and LSB in the data register. Reads and writes of the data register always have the MSB in bit 7 (or bit 15 in 16-bit mode).</p> <p>0 SPI serial data transfers start with the most significant bit. 1 SPI serial data transfers start with the least significant bit.</p>

35.3.5 SPI Match Register low (SPIx_ML)

This register, together with the MH register, contains the hardware compare value. When the value received in the SPI receive data buffer equals this hardware compare value, the SPI Match Flag in the S register (S[SPMF]) sets.

In 8-bit mode, only the ML register is available. Reads of the MH register return all zeros. Writes to the MH register are ignored.

In 16-bit mode, reading either byte (the MH or ML register) latches the contents of both bytes into a buffer where they remain latched until the other byte is read. Writing to either byte (the MH or ML register) latches the value into a buffer. When both bytes have been written, they are transferred as a coherent value into the SPI match registers.

Address: 4007_6000h base + 4h offset = 4007_6004h

Bit	7	6	5	4	3	2	1	0
Read	Bits[7:0]							
Write								
Reset	0	0	0	0	0	0	0	0

SPI0_ML field descriptions

Field	Description
7-0 Bits[7:0]	Hardware compare value (low byte)

35.3.6 SPI match register high (SPIx_MH)

Refer to the description of the ML register.

Address: 4007_6000h base + 5h offset = 4007_6005h

Bit	7	6	5	4	3	2	1	0
Read	Bits[15:8]							
Write	Bits[15:8]							
Reset	0	0	0	0	0	0	0	0

SPIO_MH field descriptions

Field	Description
7-0 Bits[15:8]	Hardware compare value (high byte)

35.3.7 SPI Data Register low (SPIx_DL)

This register, together with the DH register, is both the input and output register for SPI data. A write to the registers writes to the transmit data buffer, allowing data to be queued and transmitted.

When the SPI is configured as a master, data queued in the transmit data buffer is transmitted immediately after the previous transmission has completed.

The SPTEF bit in the S register indicates when the transmit data buffer is ready to accept new data. When the transmit DMA request is disabled (TXDMAE is 0): The S register must be read when S[SPTEF] is set before writing to the SPI data registers; otherwise, the write is ignored. When the transmit DMA request is enabled (TXDMAE is 1) when S[SPTEF] is set, the SPI data registers can be written automatically by DMA without reading the S register first.

Data may be read from the SPI data registers any time after S[SPRF] is set and before another transfer is finished. Failure to read the data out of the receive data buffer before a new transfer ends causes a receive overrun condition, and the data from the new transfer is lost. The new data is lost because the receive buffer still held the previous character and was not ready to accept the new data. There is no indication for a receive overrun condition, so the application system designer must ensure that previous data has been read from the receive buffer before a new transfer is initiated.

In 8-bit mode, only the DL register is available. Reads of the DH register return all zeros. Writes to the DH register are ignored.

In 16-bit mode, reading either byte (the DH or DL register) latches the contents of both bytes into a buffer where they remain latched until the other byte is read. Writing to either byte (the DH or DL register) latches the value into a buffer. When both bytes have been written, they are transferred as a coherent 16-bit value into the transmit data buffer.

Address: 4007_6000h base + 6h offset = 4007_6006h

Bit	7	6	5	4	3	2	1	0
Read	Bits[7:0]							
Write								
Reset	0	0	0	0	0	0	0	0

SPIO_DL field descriptions

Field	Description
7–0 Bits[7:0]	Data (low byte)

35.3.8 SPI data register high (SPIx_DH)

Refer to the description of the DL register.

Address: 4007_6000h base + 7h offset = 4007_6007h

Bit	7	6	5	4	3	2	1	0
Read	Bits[15:8]							
Write								
Reset	0	0	0	0	0	0	0	0

SPIO_DH field descriptions

Field	Description
7–0 Bits[15:8]	Data (high byte)

35.3.9 SPI clear interrupt register (SPIx_CI)

This register applies only for an instance of the SPI module that supports the FIFO feature.

The register has four bits dedicated to clearing the interrupts. Writing 1 to these bits clears the corresponding interrupts if the INTCLR bit in the C3 register is 1. Reading these bits always returns 0.

Memory map/register definition

This register also has two read-only bits to indicate the transmit FIFO and receive FIFO overrun conditions. When the receive FIFO is full and data is received, RXFOF is set. Similarly, when the transmit FIFO is full and a write to the data register occurs, TXFOF is set. These flags are cleared when the CI register is read while the flags are set.

The register has two more read-only bits to indicate the error flags. These flags are set when, due to some spurious reason, entries in the FIFO total more than 64 bits of data. At this point, all the flags in the status register are reset, and entries in the FIFO are flushed with the corresponding error flags set. These flags are cleared when the CI register is read while the flags are set.

Address: 4007_6000h base + Ah offset = 4007_600Ah

Bit	7	6	5	4	3	2	1	0
Read	TXFERR	RXFERR	TXFOF	RXFOF	0	0	0	0
Write					TNEAREFCI	RNFULLFCI	SPTEFCI	SPRFCI
Reset	0	0	0	0	0	0	0	0

SPIO_CI field descriptions

Field	Description
7 TXFERR	<p>Transmit FIFO error flag</p> <p>This flag indicates that a transmit FIFO error occurred because entries in the FIFO total more than 64 bits of data.</p> <p>0 No transmit FIFO error occurred 1 A transmit FIFO error occurred</p>
6 RXFERR	<p>Receive FIFO error flag</p> <p>This flag indicates that a receive FIFO error occurred because entries in the FIFO total more than 64 bits of data.</p> <p>0 No receive FIFO error occurred 1 A receive FIFO error occurred</p>
5 TXFOF	<p>Transmit FIFO overflow flag</p> <p>This flag indicates that a transmit FIFO overflow condition has occurred.</p> <p>0 Transmit FIFO overflow condition has not occurred 1 Transmit FIFO overflow condition occurred</p>
4 RXFOF	<p>Receive FIFO overflow flag</p> <p>This flag indicates that a receive FIFO overflow condition has occurred.</p> <p>0 Receive FIFO overflow condition has not occurred 1 Receive FIFO overflow condition occurred</p>
3 TNEAREFCI	<p>Transmit FIFO nearly empty flag clear interrupt</p> <p>Writing 1 to this bit clears the TNEAREF interrupt provided that C3[3] is set.</p>
2 RNFULLFCI	<p>Receive FIFO nearly full flag clear interrupt</p>

Table continues on the next page...

SPI0_CI field descriptions (continued)

Field	Description
	Writing 1 to this bit clears the RNFULLF interrupt provided that C3[3] is set.
1 SPTEFCI	Transmit FIFO empty flag clear interrupt Writing 1 to this bit clears the SPTEF interrupt provided that C3[3] is set.
0 SPRFCI	Receive FIFO full flag clear interrupt Writing 1 to this bit clears the SPRF interrupt provided that C3[3] is set.

35.3.10 SPI control register 3 (SPIx_C3)

This register introduces a 64-bit FIFO function on both transmit and receive buffers. It applies only for an instance of the SPI module that supports the FIFO feature.

FIFO mode is enabled by setting the FIFOMODE bit to 1. A write to this register occurs only when it sets the FIFOMODE bit to 1.

Using this FIFO feature allows the SPI to provide high speed transfers of large amounts of data without consuming large amounts of the CPU bandwidth.

Enabling this FIFO function affects the behavior of some of the read/write buffer flags in the S register as follows:

- When the receive FIFO has data in it, S[RFIFOEF] is 0. As a result:
 - If C2[RXDMAE] is 1, RFIFOEF_b generates a receive DMA request. The DMA request remains active until RFIFOEF is set to 1, indicating the receive buffer is empty.
- If C2[RXDMAE] is 0 and C1[SPIE] is 1, SPRF interrupts the CPU.
- When the transmit FIFO is not full, S[TXFULLF] is 0. As a result:
 - If C2[TXDMAE] is 1, TXFULLF_b generates a transmit DMA request. The DMA request remains active until TXFULLF is set to 1, indicating the transmit FIFO is full.
- If C2[TXDMAE] is 0 and C1[SPTIE] is 1, SPTEF interrupts the CPU.

Two interrupt enable bits, TNEARIEN and RNFULLIEN, provide CPU interrupts based on the "watermark" feature of the TNEARF and RNFULLF flags of the S register.

Address: 4007_6000h base + Bh offset = 4007_600Bh

Bit	7	6	5	4	3	2	1	0
Read	0		TNEAREF_	RNFULLF_	INTCLR	TNEARIEN	RNFULLIEN	FIFOMODE
Write	0		MARK	MARK				
Reset	0	0	0	0	0	0	0	0

SPI0_C3 field descriptions

Field	Description
7–6 Reserved	This field is reserved. This read-only field is reserved and always has the value 0.
5 TNEAREF_ MARK	Transmit FIFO nearly empty watermark This bit selects the mark after which the TNEAREF flag is asserted. 0 TNEAREF is set when the transmit FIFO has 16 bits or less 1 TNEAREF is set when the transmit FIFO has 32 bits or less
4 RNFULLF_ MARK	Receive FIFO nearly full watermark This bit selects the mark after which the RNFULLF flag is asserted. 0 RNFULLF is set when the receive FIFO has 48 bits or more 1 RNFULLF is set when the receive FIFO has 32 bits or more
3 INTCLR	Interrupt clearing mechanism select This bit selects the mechanism by which the SPRF, SPTEF, TNEAREF, and RNFULLF interrupts are cleared. 0 These interrupts are cleared when the corresponding flags are cleared depending on the state of the FIFOs 1 These interrupts are cleared by writing the corresponding bits in the CI register
2 TNEARIEN	Transmit FIFO nearly empty interrupt enable Writing 1 to this bit enables the SPI to interrupt the CPU when the TNEAREF flag is set. This bit is ignored and has no function if the FIFOMODE bit is 0. 0 No interrupt upon TNEAREF being set 1 Enable interrupts upon TNEAREF being set
1 RNFULLIEN	Receive FIFO nearly full interrupt enable Writing 1 to this bit enables the SPI to interrupt the CPU when the RNFULLF flag is set. This bit is ignored and has no function if the FIFOMODE bit is 0. 0 No interrupt upon RNFULLF being set 1 Enable interrupts upon RNFULLF being set
0 FIFOMODE	FIFO mode enable This bit enables the SPI to use a 64-bit FIFO (8 bytes or four 16-bit words) for both transmit and receive buffers. 0 Buffer mode disabled 1 Data available in the receive data buffer

35.4 Functional description

This section provides the functional description of the module.

35.4.1 General

The SPI system is enabled by setting the SPI enable (SPE) bit in SPI Control Register 1. While C1[SPE] is set, the four associated SPI port pins are dedicated to the SPI function as:

- Slave select (SS)
- Serial clock (SPSCK)
- Master out/slave in (MOSI)
- Master in/slave out (MISO)

An SPI transfer is initiated in the master SPI device by reading the SPI status register (SPIx_S) when S[SPTEF] = 1 and then writing data to the transmit data buffer (write to SPIx_DH:SPIx_DL). When a transfer is complete, received data is moved into the receive data buffer. The SPIx_DH:SPIx_DL registers act as the SPI receive data buffer for reads and as the SPI transmit data buffer for writes.

The Clock Phase Control (CPHA) and Clock Polarity Control (CPOL) bits in the SPI Control Register 1 (SPIx_C1) select one of four possible clock formats to be used by the SPI system. The CPOL bit simply selects a non-inverted or inverted clock. C1[CPHA] is used to accommodate two fundamentally different protocols by sampling data on odd numbered SPSCK edges or on even numbered SPSCK edges.

The SPI can be configured to operate as a master or as a slave. When the MSTR bit in SPI Control Register 1 is set, master mode is selected; when C1[MSTR] is clear, slave mode is selected.

35.4.2 Master mode

The SPI operates in master mode when C1[MSTR] is set. Only a master SPI module can initiate transmissions. A transmission begins by reading the SPIx_S register while S[SPTEF] = 1 and writing to the master SPI data registers. If the shift register is empty, the byte immediately transfers to the shift register. The data begins shifting out on the MOSI pin under the control of the serial clock.

- SPSCK
 - The SPR3, SPR2, SPR1, and SPR0 baud rate selection bits in conjunction with the SPPR2, SPPR1, and SPPR0 baud rate preselection bits in the SPI Baud Rate register control the baud rate generator and determine the speed of the

transmission. The SPSCCK pin is the SPI clock output. Through the SPSCCK pin, the baud rate generator of the master controls the shift register of the slave peripheral.

- MOSI, MISO pin
 - In master mode, the function of the serial data output pin (MOSI) and the serial data input pin (MISO) is determined by the SPC0 and BIDIROE control bits.
- \overline{SS} pin
 - If C2[MODFEN] and C1[SSOE] are set, the SS pin is configured as slave select output. The SS output becomes low during each transmission and is high when the SPI is in idle state. If C2[MODFEN] is set and C1[SSOE] is cleared, the \overline{SS} pin is configured as input for detecting mode fault error. If the SS input becomes low this indicates a mode fault error where another master tries to drive the MOSI and SPSCCK lines. In this case, the SPI immediately switches to slave mode by clearing C1[MSTR] and also disables the slave output buffer MISO (or SISO in bidirectional mode). As a result, all outputs are disabled, and SPSCCK, MOSI and MISO are inputs. If a transmission is in progress when the mode fault occurs, the transmission is aborted and the SPI is forced into idle state. This mode fault error also sets the Mode Fault (MODF) flag in the SPI Status Register (SPIx_S). If the SPI Interrupt Enable bit (SPIE) is set when S[MODF] gets set, then an SPI interrupt sequence is also requested. When a write to the SPI Data Register in the master occurs, there is a half SPSCCK-cycle delay. After the delay, SPSCCK is started within the master. The rest of the transfer operation differs slightly, depending on the clock format specified by the SPI clock phase bit, CPHA, in SPI Control Register 1 (see [SPI clock formats](#)).

Note

A change of C1[CPOL], C1[CPHA], C1[SSOE], C1[LSBFE], C2[MODFEN], C2[SPC0], C2[BIDIROE] with C2[SPC0] set, SPIMODE, FIFOMODE, SPPR2-SPPR0 and SPR3-SPR0 in master mode abort a transmission in progress and force the SPI into idle state. The remote slave cannot detect this, therefore the master has to ensure that the remote slave is set back to idle state.

35.4.3 Slave mode

The SPI operates in slave mode when the MSTR bit in SPI Control Register 1 is clear.

- SPSCCK

In slave mode, SPSCCK is the SPI clock input from the master.

- MISO, MOSI pin

In slave mode, the function of the serial data output pin (MISO) and serial data input pin (MOSI) is determined by the SPC0 bit and BIDIROE bit in SPI Control Register 2.

- SS pin

The SS pin is the slave select input. Before a data transmission occurs, the SS pin of the slave SPI must be low. SS must remain low until the transmission is complete. If SS goes high, the SPI is forced into an idle state.

The SS input also controls the serial data output pin. If SS is high (not selected), the serial data output pin is high impedance. If SS is low, the first bit in the SPI Data Register is driven out of the serial data output pin. Also, if the slave is not selected (SS is high), then the SPSCCK input is ignored and no internal shifting of the SPI shift register occurs.

Although the SPI is capable of duplex operation, some SPI peripherals are capable of only receiving SPI data in a slave mode. For these simpler devices, there is no serial data out pin.

Note

When peripherals with duplex capability are used, take care not to simultaneously enable two receivers whose serial outputs drive the same system slave's serial data output line.

As long as no more than one slave device drives the system slave's serial data output line, it is possible for several slaves to receive the same transmission from a master, although the master would not receive return information from all of the receiving slaves.

If the CPHA bit in SPI Control Register 1 is clear, odd numbered edges on the SPSCCK input cause the data at the serial data input pin to be latched. Even numbered edges cause the value previously latched from the serial data input pin to shift into the LSB or MSB of the SPI shift register, depending on the LSBFE bit.

If C1[CPHA] is set, even numbered edges on the SPSCCK input cause the data at the serial data input pin to be latched. Odd numbered edges cause the value previously latched from the serial data input pin to shift into the LSB or MSB of the SPI shift register, depending on C1[LSBFE].

When C1[CPHA] is set, the first edge is used to get the first data bit onto the serial data output pin. When C1[CPHA] is clear and the SS input is low (slave selected), the first bit of the SPI data is driven out of the serial data output pin. After the eighth (SPIMODE = 0) or sixteenth (SPIMODE = 1) shift, the transfer is considered complete and the received data is transferred into the SPI Data register. To indicate transfer is complete, the SPRF flag in the SPI Status Register is set.

Note

A change of the bits FIFOMODE, SPIMODE, C2[BIDIROE] with C2[SPC0] set, C1[CPOL], C1[CPHA], C1[SSOE], C1[LSBFE], C2[MODFEN], and C2[SPC0] in slave mode will corrupt a transmission in progress and must be avoided.

35.4.4 SPI FIFO Mode

When the FIFO feature is supported: The SPI works in FIFO mode when the C3[FIFOMODE] bit is set. When the module is in FIFO mode, the SPI RX buffer and SPI TX buffer are replaced by an 8-byte-deep FIFO, as the following figures show.

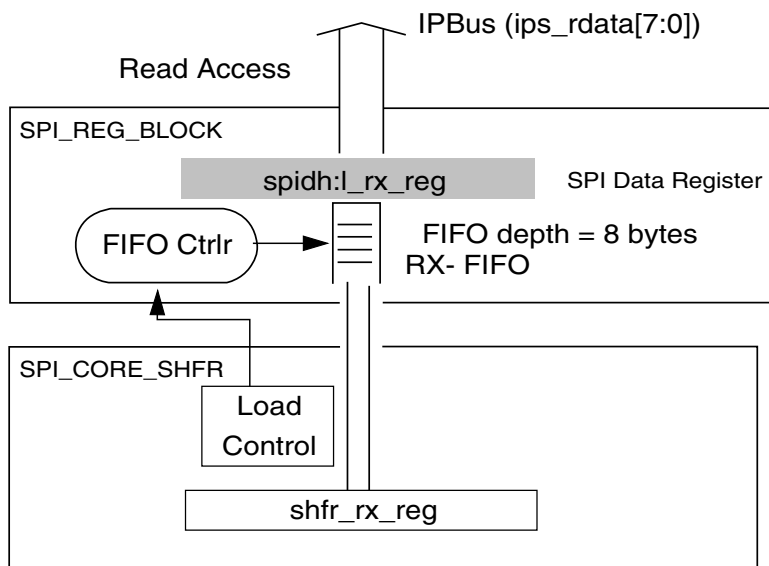


Figure 35-33. SPIH:L read side structural overview in FIFO mode

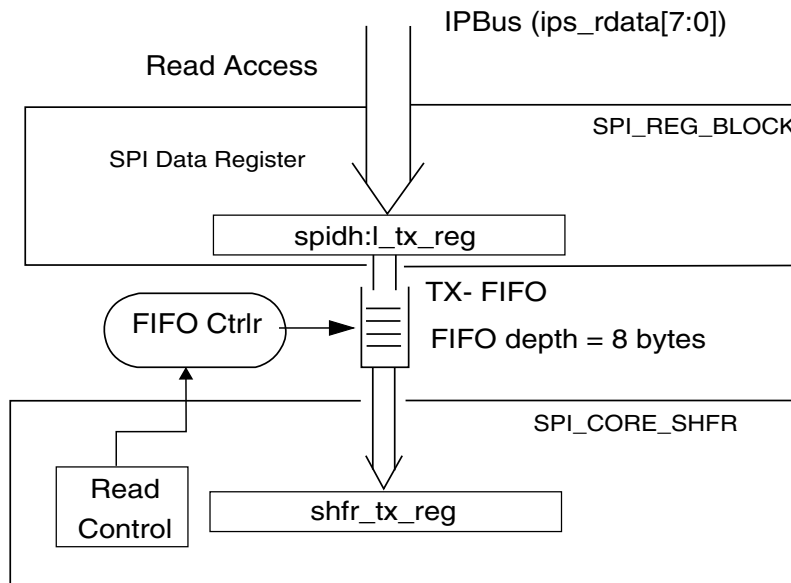


Figure 35-34. SPIH:L write side structural overview in FIFO mode

35.4.5 SPI Transmission by DMA

SPI supports both Transmit and Receive by DMA. The basic flow of SPI transmission by DMA is as below.

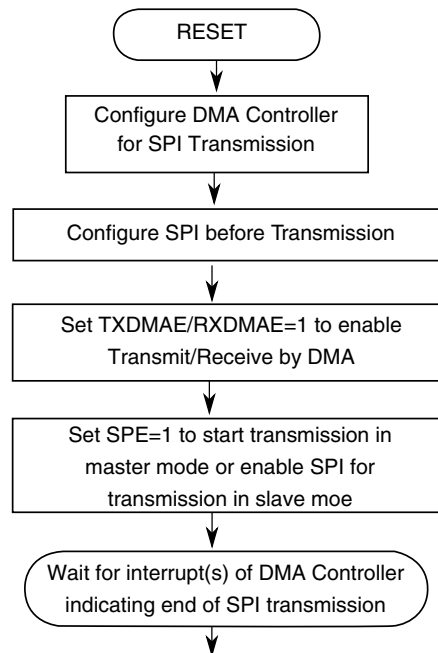


Figure 35-35. Basic Flow of SPI Transmission by DMA

35.4.5.1 Transmit by DMA

Transmit by DMA is supported only when TXDMAE is set. A transmit DMA request is asserted when both SPE and SPTEF are set. Then the on-chip DMA controller detects this request and transfers data from memory into the SPI data register. After that, TX DMA DONE is asserted to clear SPTEF automatically. This process repeats until all data for transmission (the number is decided by the configuration register[s] of the DMA controller) is sent.

When the FIFO feature is supported: In FIFO mode (FIFOMODE=1) and when a data length of 8 bits is selected (SPIMODE=0), the DMA transfer for one transmit DMA request can write more than 1 byte (up to 8 bytes) to the DL register because the TX FIFO can store 8 bytes of transmit data. In FIFO mode (FIFOMODE=1) and when a data length of 16 bits is selected (SPIMODE=1), the DMA transfer for one transmit DMA request can write more than 1 word (up to 4 words) to the DH:DL registers because the TX FIFO can store 4 words of transmit data. A larger number of bytes or words transferred from memory to the SPI data register for each transmit DMA request results in a lower total number of transmit DMA requests.

When FIFOMODE is 0: Cycle Steal (DMA_DCRn[CS] = 1) should be enabled when using the DMA controller to transfer data from memory to the SPI data register. The DMA performs a single data transfer per DMA request in cycle steal mode. Therefore, a single byte/word is written to the SPI data register from memory and transmitted by the SPI module for each DMA request, as long as the BCR value is greater than zero (DMA_DSR_BCRn[BCR] > 0). Once the BCR has reached zero, software must reconfigure the DMA controller if more data is to be transmitted. If a configuration error occurs (DMA_DSR_BCRn[CE] = 1) when the BCR is equal to 0, software must:

- disable peripheral requests when the BCR is equal to 0,
- perform 16-bit transfers (SPIMODE = 1), or
- decrease the SPI baud rate.

Software can disable peripheral requests by setting DMA_DCRn[D_REQ] = 1 when initializing the DMA controller, or by clearing DMA_DCRn[ERQ] once the BCR is equal to zero. Also, to continue transmitting data software must re-enable peripheral requests (DMA_DCRn[ERQ] = 1) after reconfiguring the DMA controller.

If continuous mode (DMA_DCRn[CS] = 0) is used when FIFOMODE = 0, the DMA controller transfers data continuously to the SPI data register once one DMA request is asserted; therefore, it is necessary to limit the BCR to 1 byte or 2 bytes for 8-bit and 16-bit modes, respectively. In addition, the initial SPI data transmission is repeated one or more times unless peripheral requests are disabled when the BCR is equal to zero or the

first SPI transmit byte/word is written to the SPI data register prior to enabling DMA requests. Due to these limitations, continuous mode is not a practical configuration of the DMA controller to write data to the SPI data register and is not recommended.

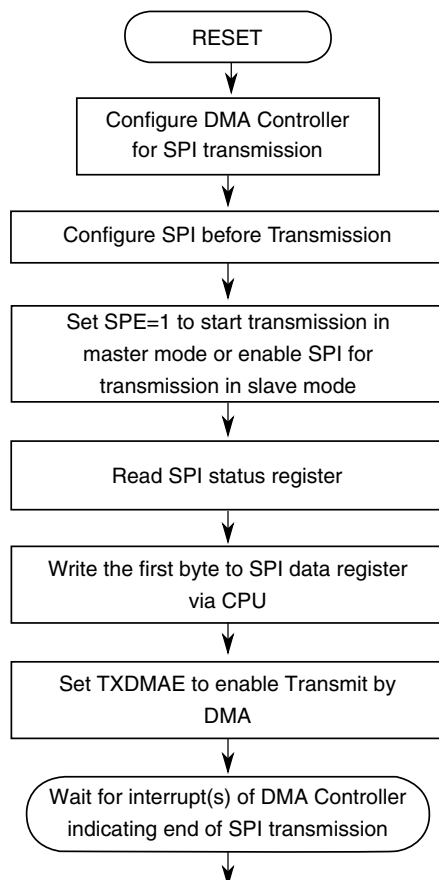


Figure 35-36. Recommended startup of SPI transmit by DMA

35.4.5.2 Receive by DMA

Receive by DMA is supported only when RXDMAE is set. A receive DMA request is asserted when both SPE and SPRF are set. Then the on-chip DMA controller detects this request and transfers data from the SPI data register into memory. After that, RX DMA DONE is asserted to clear SPRF automatically. This process repeats until all data to be received (the number is decided by configuration register[s] of the DMA controller) is received or no receive DMA request is generated again because the SPI transmission is finished.

When the FIFO feature is supported: In FIFO mode (FIFOMODE=1) and when a data length of 8 bits is selected (SPIMODE=0), the DMA transfer for one receive DMA request can read more than 1 byte (up to 8 bytes) from the SPI data register because the RX FIFO is full with 8 bytes. In FIFO mode (FIFOMODE=1) and when a data length of

16 bits is selected (SPIMODE=1), the DMA transfer for one receive DMA request can read more than 1 word (up to 4 words) from the DH:DL registers because the RX FIFO is full with 4 words. A larger number of bytes or words transferred from the SPI data register to memory for one receive DMA request results in a lower total number of receive DMA requests.

35.4.6 Data Transmission Length

The SPI can support data lengths of 8 or 16 bits. The length can be configured with the SPIMODE bit in the SPIx_C2 register.

In 8-bit mode (SPIMODE = 0), the SPI Data Register is comprised of one byte: SPIx_DL. The SPI Match Register is also comprised of only one byte: SPIx_ML. Reads of SPIx_DH and SPIx_MH will return zero. Writes to SPIx_DH and SPIx_MH will be ignored.

In 16-bit mode (SPIMODE = 1), the SPI Data Register is comprised of two bytes: SPIx_DH and SPIx_DL. Reading either byte (SPIx_DH or SPIx_DL) latches the contents of both bytes into a buffer where they remain latched until the other byte is read. Writing to either byte (SPIx_DH or SPIx_DL) latches the value into a buffer. When both bytes have been written, they are transferred as a coherent 16-bit value into the transmit data buffer.

In 16-bit mode, the SPI Match Register is also comprised of two bytes: SPIx_MH and SPIx_ML. There is no buffer mechanism for the reading of SPIxMH and SPIxML since they can only be changed by writing at CPU side. Writing to either byte (SPIx_MH or SPIx_ML) latches the value into a buffer. When both bytes have been written, they are transferred as a coherent 16-bit value into the SPI Match Register.

Any switching between 8- and 16-bit data transmission length (controlled by SPIMODE bit) in master mode will abort a transmission in progress, force the SPI system into idle state, and reset all status bits in the SPIx_S register. To initiate a transfer after writing to SPIMODE, the SPIx_S register must be read with SPTEF = 1, and data must be written to SPIx_DH:SPIx_DL in 16-bit mode (SPIMODE = 1) or SPIx_DL in 8-bit mode (SPIMODE = 0).

In slave mode, user software should write to SPIMODE only once to prevent corrupting a transmission in progress.

Note

Data can be lost if the data length is not the same for both master and slave devices.

35.4.7 SPI clock formats

To accommodate a wide variety of synchronous serial peripherals from different manufacturers, the SPI system has a Clock Polarity (CPOL) bit and a Clock Phase (CPHA) control bit in the Control Register 1 to select one of four clock formats for data transfers. C1[CPOL] selectively inserts an inverter in series with the clock. C1[CPHA] chooses between two different clock phase relationships between the clock and data.

The following figure shows the clock formats when SPIMODE = 0 (8-bit mode) and CPHA = 1. At the top of the figure, the eight bit times are shown for reference with bit 1 starting at the first SPSCCK edge and bit 8 ending one-half SPSCCK cycle after the eighth SPSCCK edge. The MSB first and LSB first lines show the order of SPI data bits depending on the setting in LSBFE. Both variations of SPSCCK polarity are shown, but only one of these waveforms applies for a specific transfer, depending on the value in C1[CPOL]. The SAMPLE IN waveform applies to the MOSI input of a slave or the MISO input of a master. The MOSI waveform applies to the MOSI output pin from a master and the MISO waveform applies to the MISO output from a slave. The \overline{SS} OUT waveform applies to the slave select output from a master (provided C2[MODFEN] and C1[SSOE] = 1). The master \overline{SS} output goes to active low one-half SPSCCK cycle before the start of the transfer and goes back high at the end of the eighth bit time of the transfer. The \overline{SS} IN waveform applies to the slave select input of a slave.

Functional description

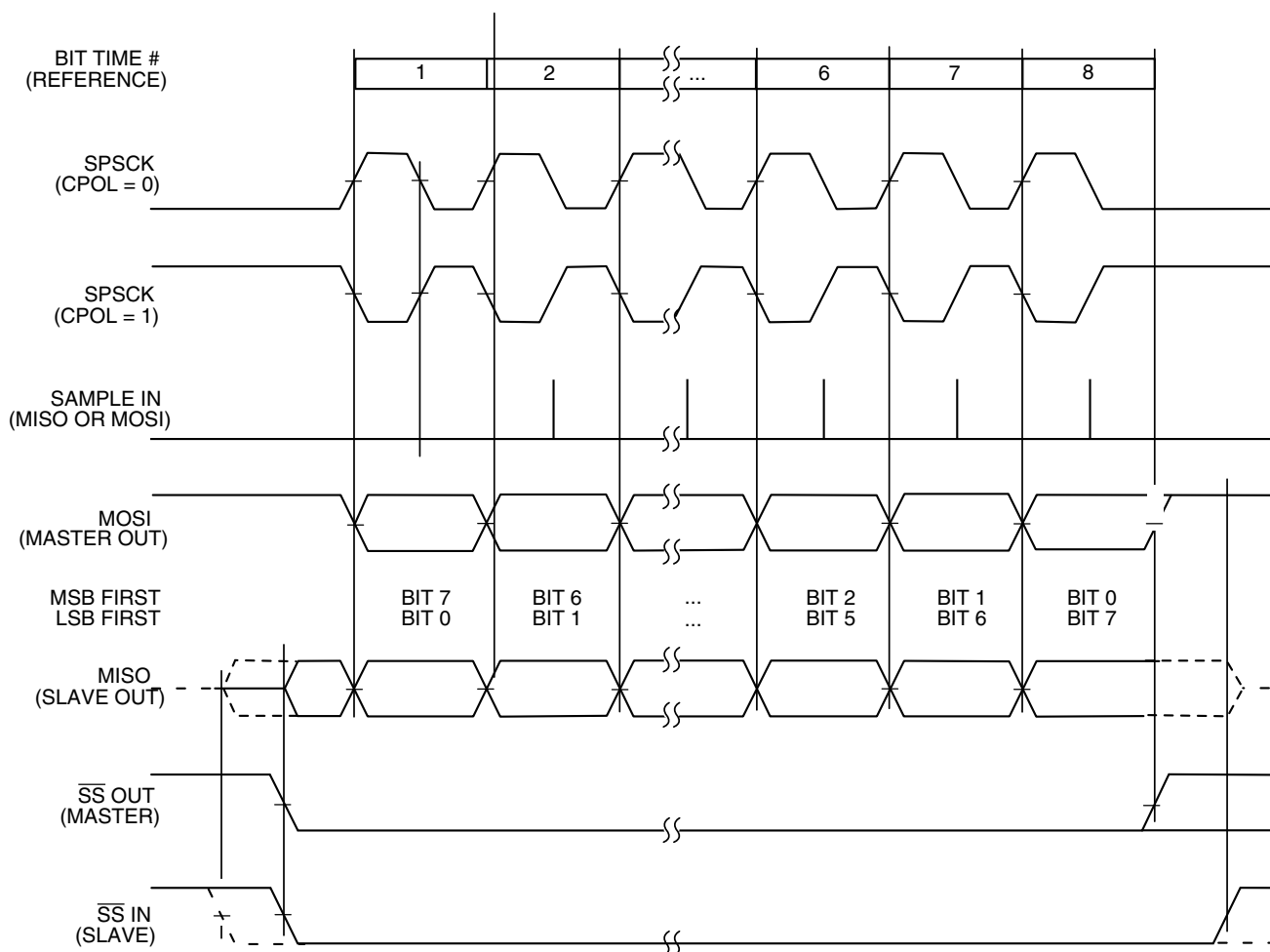


Figure 35-37. SPI clock formats (CPHA = 1)

When $C1[CPHA] = 1$, the slave begins to drive its MISO output when \overline{SS} goes to active low, but the data is not defined until the first SPSCCK edge. The first SPSCCK edge shifts the first bit of data from the shifter onto the MOSI output of the master and the MISO output of the slave. The next SPSCCK edge causes both the master and the slave to sample the data bit values on their MISO and MOSI inputs, respectively. At the third SPSCCK edge, the SPI shifter shifts one bit position which shifts in the bit value that was just sampled, and shifts the second data bit value out the other end of the shifter to the MOSI and MISO outputs of the master and slave, respectively.

When $C1[CPHA] = 1$, the slave's \overline{SS} input is not required to go to its inactive high level between transfers. In this clock format, a back-to-back transmission can occur, as follows:

1. A transmission is in progress.
2. A new data byte is written to the transmit buffer before the in-progress transmission is complete.
3. When the in-progress transmission is complete, the new, ready data byte is transmitted immediately.

Between these two successive transmissions, no pause is inserted; the \overline{SS} pin remains low.

The following figure shows the clock formats when $SPIMODE = 0$ and $C1[CPHA] = 0$. At the top of the figure, the eight bit times are shown for reference with bit 1 starting as the slave is selected (\overline{SS} IN goes low), and bit 8 ends at the last SPSCCK edge. The MSB first and LSB first lines show the order of SPI data bits depending on the setting in $LSBFE$. Both variations of SPSCCK polarity are shown, but only one of these waveforms applies for a specific transfer, depending on the value in $CPOL$. The SAMPLE IN waveform applies to the MOSI input of a slave or the MISO input of a master. The MOSI waveform applies to the MOSI output pin from a master and the MISO waveform applies to the MISO output from a slave. The \overline{SS} OUT waveform applies to the slave select output from a master (provided $C2[MODFEN]$ and $C1[SSOE] = 1$). The master \overline{SS} output goes to active low at the start of the first bit time of the transfer and goes back high one-half SPSCCK cycle after the end of the eighth bit time of the transfer. The \overline{SS} IN waveform applies to the slave select input of a slave.

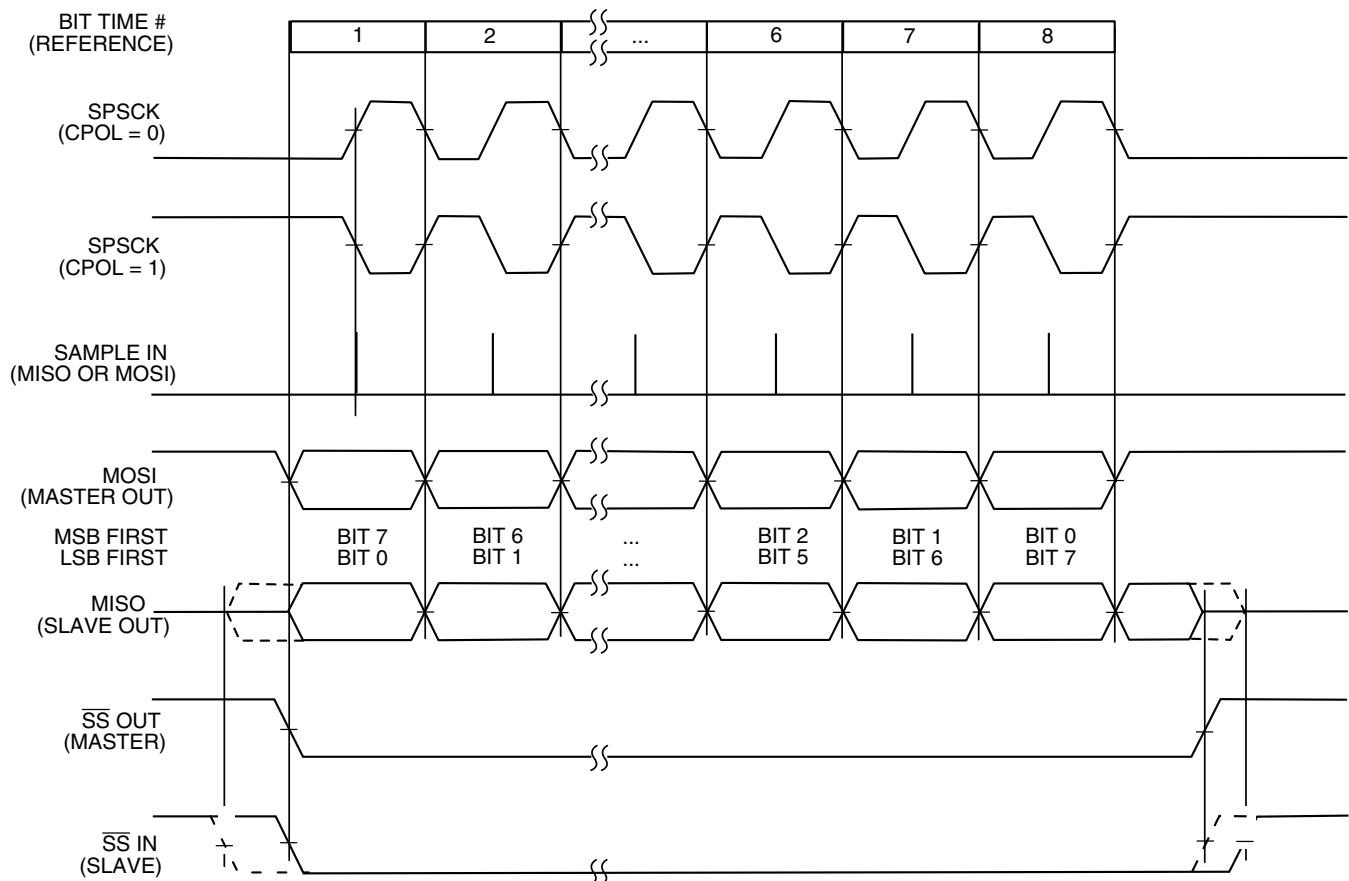


Figure 35-38. SPI clock formats (CPHA = 0)

When C1[CPHA] = 0, the slave begins to drive its MISO output with the first data bit value (MSB or LSB depending on LSBFE) when SS goes to active low. The first SPSCCK edge causes both the master and the slave to sample the data bit values on their MISO and MOSI inputs, respectively. At the second SPSCCK edge, the SPI shifter shifts one bit position which shifts in the bit value that was just sampled and shifts the second data bit value out the other end of the shifter to the MOSI and MISO outputs of the master and slave, respectively. When C1[CPHA] = 0, the slave's SS input must go to its inactive high level between transfers.

35.4.8 SPI baud rate generation

As shown in the following figure, the clock source for the SPI baud rate generator is the SPI module clock. The prescale bits (SPPR2:SPPR1:SPPR0) choose a prescale divisor of 1, 2, 3, 4, 5, 6, 7, or 8. The rate-select bits (SPR3:SPR2:SPR1:SPR0) divide the output of the prescaler stage by 2, 4, 8, 16, 32, 64, 128, 256, or 512 to get the internal SPI master mode bit-rate clock.

The baud rate generator is activated only when the SPI is in the master mode and a serial transfer is taking place. In the other cases, the divider is disabled to decrease I_{DD} current.

The baud rate divisor equation is as follows (except those reserved combinations in the SPI Baud Rate Divisor table).

$$\text{BaudRateDivisor} = (\text{SPPR} + 1) \times 2^{(\text{SPR} + 1)}$$

The baud rate can be calculated with the following equation:

$$\text{BaudRate} = \text{SPI Module Clock} / \text{BaudRateDivisor}$$

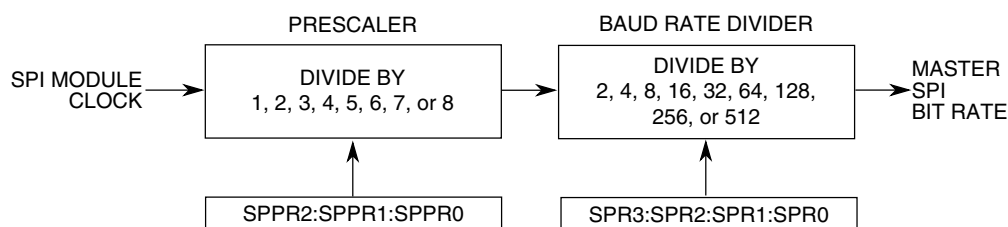


Figure 35-39. SPI baud rate generation

35.4.9 Special features

The following section describes the special features of SPI module.

35.4.9.1 \overline{SS} Output

The \overline{SS} output feature automatically drives the \overline{SS} pin low during transmission to select external devices and drives the \overline{SS} pin high during idle to deselect external devices. When the \overline{SS} output is selected, the \overline{SS} output pin is connected to the \overline{SS} input pin of the external device.

The \overline{SS} output is available only in master mode during normal SPI operation by asserting C1[SSOE] and C2[MODFEN] as shown in the description of C1[SSOE].

The mode fault feature is disabled while \overline{SS} output is enabled.

Note

Be careful when using the \overline{SS} output feature in a multimaster system because the mode fault feature is not available for detecting system errors between masters.

35.4.9.2 Bidirectional mode (MOMI or SISO)

The bidirectional mode is selected when the SPC0 bit is set in SPI Control Register 2 (see the following table). In this mode, the SPI uses only one serial data pin for the interface with one or more external devices. C1[MSTR] decides which pin to use. The MOSI pin becomes the serial data I/O (MOMI) pin for the master mode, and the MISO pin becomes serial data I/O (SISO) pin for the slave mode. The MISO pin in master mode and MOSI pin in slave mode are not used by the SPI.

Table 35-34. Normal Mode and Bidirectional Mode

When SPE = 1	Master Mode MSTR = 1	Slave Mode MSTR = 0
Normal Mode SPC0 = 0		
Bidirectional Mode SPC0 = 1		

The direction of each serial I/O pin depends on C2[BIDIROE]. If the pin is configured as an output, serial data from the shift register is driven out on the pin. The same pin is also the serial input to the shift register.

The SPSCCK is an output for the master mode and an input for the slave mode.

\overline{SS} is the input or output for the master mode, and it is always the input for the slave mode.

The bidirectional mode does not affect SPSCCK and \overline{SS} functions.

Note

In bidirectional master mode, with the mode fault feature enabled, both data pins MISO and MOSI can be occupied by the SPI, though MOSI is normally used for transmissions in bidirectional mode and MISO is not used by the SPI. If a mode fault occurs, the SPI is automatically switched to slave mode. In this case, MISO becomes occupied by the SPI and MOSI is not used. Consider this scenario if the MISO pin is used for another purpose.

35.4.10 Error conditions

The SPI module has one error condition: the mode fault error.

35.4.10.1 Mode fault error

If the \overline{SS} input becomes low while the SPI is configured as a master, it indicates a system error where more than one master may be trying to drive the MOSI and SPSCCK lines simultaneously. This condition is not permitted in normal operation, and it sets the MODF bit in the SPI status register automatically provided that C2[MODFEN] is set.

In the special case where the SPI is in master mode and C2[MODFEN] is cleared, the \overline{SS} pin is not used by the SPI. In this special case, the mode fault error function is inhibited and MODF remains cleared. If the SPI system is configured as a slave, the \overline{SS} pin is a dedicated input pin. A mode fault error does not occur in slave mode.

If a mode fault error occurs, the SPI is switched to slave mode, with the exception that the slave output buffer is disabled. So the SPSCCK, MISO and MOSI pins are forced to be high impedance inputs to avoid any possibility of conflict with another output driver. A transmission in progress is aborted and the SPI is forced into idle state.

If the mode fault error occurs in the bidirectional mode for an SPI system configured in master mode, the output enable of MOMI (MOSI in bidirectional mode) is cleared if it was set. No mode fault error occurs in the bidirectional mode for the SPI system configured in slave mode.

The mode fault flag is cleared automatically by a read of the SPI Status Register (with MODF set) followed by a write to SPI Control Register 1. If the mode fault flag is cleared, the SPI becomes a normal master or slave again.

35.4.11 Low-power mode options

This section describes the low-power mode options.

35.4.11.1 SPI in Run mode

In Run mode, with the SPI system enable (SPE) bit in the SPI Control Register 1 clear, the SPI system is in a low-power, disabled state. SPI registers can still be accessed, but clocks to the core of this module are disabled.

35.4.11.2 SPI in Wait mode

SPI operation in Wait mode depends upon the state of the SPISWAI bit in SPI Control Register 2.

- If C2[SPISWAI] is clear, the SPI operates normally when the CPU is in Wait mode.
- If C2[SPISWAI] is set, SPI clock generation ceases and the SPI module enters a power conservation state when the CPU is in wait mode.
 - If C2[SPISWAI] is set and the SPI is configured for master, any transmission and reception in progress stops at Wait mode entry. The transmission and reception resumes when the SPI exits Wait mode.
 - If C2[SPISWAI] is set and the SPI is configured as a slave, any transmission and reception in progress continues if the SPSCCK continues to be driven from the master. This keeps the slave synchronized to the master and the SPSCCK.

If the master transmits data while the slave is in wait mode, the slave continues to send data consistent with the operation mode at the start of wait mode (that is, if the slave is currently sending its SPIx_DH:SPIx_DL to the master, it continues to send the same byte. Otherwise, if the slave is currently sending the last data received byte from the master, it continues to send each previously received data from the master byte).

Note

Care must be taken when expecting data from a master while the slave is in a Wait mode or a Stop mode where the peripheral bus clock is stopped but internal logic states are retained. Even though the shift register continues to operate, the rest of the SPI is shut down (that is, an SPRF interrupt is not generated until an exit from Stop or Wait mode). Also, the data from the shift register is not copied into the SPIx_DH:SPIx_DL registers until after the slave SPI has exited Wait or Stop mode. An SPRF flag and SPIx_DH:SPIx_DL copy is only generated if Wait mode is entered or exited during a transmission. If the slave enters Wait mode in idle mode and exits Wait mode in idle mode, neither an SPRF nor a SPIx_DH:SPIx_DL copy occurs.

35.4.11.3 SPI in Stop mode

Operation in a Stop mode where the peripheral bus clock is stopped but internal logic states are retained depends on the SPI system. The Stop mode does not depend on C2[SPISWAI]. Upon entry to this type of stop mode, the SPI module clock is disabled (held high or low).

- If the SPI is in master mode and exchanging data when the CPU enters the Stop mode, the transmission is frozen until the CPU exits stop mode. After the exit from stop mode, data to and from the external SPI is exchanged correctly.
- In slave mode, the SPI remains synchronized with the master.

The SPI is completely disabled in a stop mode where the peripheral bus clock is stopped and internal logic states are not retained. After an exit from this type of stop mode, all registers are reset to their default values, and the SPI module must be reinitialized.

35.4.12 Reset

The reset values of registers and signals are described in the Memory Map and Register Descriptions content, which details the registers and their bitfields.

- If a data transmission occurs in slave mode after a reset without a write to SPIx_DH:SPIx_DL, the transmission consists of "garbage" or the data last received from the master before the reset.
- Reading from SPIx_DH:SPIx_DL after reset always returns zeros.

35.4.13 Interrupts

The SPI originates interrupt requests only when the SPI is enabled (the SPE bit in the SPIx_C1 register is set). The following is a description of how the SPI makes a request and how the MCU should acknowledge that request. The interrupt vector offset and interrupt priority are chip dependent.

Four flag bits, three interrupt mask bits, and one interrupt vector are associated with the SPI system. The SPI interrupt enable mask (SPIE) enables interrupts from the SPI receiver full flag (SPRF) and mode fault flag (MODF). The SPI transmit interrupt enable mask (SPTIE) enables interrupts from the SPI transmit buffer empty flag (SPTEF). The SPI match interrupt enable mask bit (SPIMIE) enables interrupts from the SPI match flag (SPMF). When one of the flag bits is set, and the associated interrupt mask bit is set, a hardware interrupt request is sent to the CPU. If the interrupt mask bits are cleared, software can poll the associated flag bits instead of using interrupts. The SPI interrupt service routine (ISR) should check the flag bits to determine which event caused the interrupt. The service routine should also clear the flag bit(s) before returning from the ISR (usually near the beginning of the ISR).

35.4.13.1 MODF

MODF occurs when the master detects an error on the \overline{SS} pin. The master SPI must be configured for the MODF feature (see the description of the C1[SSOE] bit). Once MODF is set, the current transfer is aborted and the master (MSTR) bit in the SPIx_C1 register resets to 0.

The MODF interrupt is reflected in the status register's MODF flag. Clearing the flag also clears the interrupt. This interrupt stays active while the MODF flag is set. MODF has an automatic clearing process that is described in the SPI Status Register.

35.4.13.2 SPRF

SPRF occurs when new data has been received and copied to the SPI receive data buffer. In 8-bit mode, SPRF is set only after all 8 bits have been shifted out of the shift register and into SPIx_DL. In 16-bit mode, SPRF is set only after all 16 bits have been shifted out of the shift register and into SPIx_DH:SPIx_DL.

After SPRF is set, it does not clear until it is serviced. SPRF has an automatic clearing process that is described in the SPI Status Register details. If the SPRF is not serviced before the end of the next transfer (that is, SPRF remains active throughout another transfer), the subsequent transfers are ignored and no new data is copied into the Data register.

35.4.13.3 SPTEF

SPTEF occurs when the SPI transmit buffer is ready to accept new data. In 8-bit mode, SPTEF is set only after all 8 bits have been moved from SPIx_DL into the shifter. In 16-bit mode, SPTEF is set only after all 16 bits have been moved from SPIx_DH:SPIx_DL into the shifter.

After SPTEF is set, it does not clear until it is serviced. SPTEF has an automatic clearing process that is described in the SPI Status Register details.

35.4.13.4 SPMF

SPMF occurs when the data in the receive data buffer is equal to the data in the SPI Match Register. In 8-bit mode, SPMF is set only after bits 7–0 in the receive data buffer are determined to be equivalent to the value in SPIx_ML. In 16-bit mode, SPMF is set after bits 15–0 in the receive data buffer are determined to be equivalent to the value in SPIx_MH:SPIx_ML.

35.4.13.5 TNEAREF

The TNEAREF bit applies when the FIFO feature is supported.

The TNEAREF flag is set when only one 16-bit word or two 8-bit bytes of data remain in the transmit FIFO provided C3[5] = 0 or when only two 16-bit words or four 8-bit bytes of data remain in the transmit FIFO provided C3[5] = 1. If FIFOMODE is not enabled, ignore this bit.

Clearing this interrupt depends on the state of C3[3] and the status of TNEAREF. Refer to the description of the SPI status (S) register.

35.4.13.6 RNFULLF

The RNFULLF bit applies when the FIFO feature is supported.

RNFULLF is set when more than three 16-bit words or six 8-bit bytes of data remain in the receive FIFO provided $C3[4] = 0$ or when more than two 16-bit words or four 8-bit bytes of data remain in the receive FIFO provided $C3[4] = 1$.

Clearing this interrupt depends on the state of $C3[3]$ and the status of RNFULLF. Refer to the description of the SPI status (S) register.

35.4.13.7 Asynchronous interrupt in low-power modes

When the CPU is in Wait mode or Stop mode and the SPI module receives a transmission, the SPI module can generate an asynchronous interrupt to wake the CPU from the low power mode. The module generates the asynchronous interrupt only when all of the following conditions apply:

1. $C2[SPLPIE]$ is set to 1.
2. The CPU is in Wait mode—in which case $C2[SPISWAI]$ must be 1—or in Stop mode where the peripheral bus clock is stopped but internal logic states are retained.
3. The SPI module is in slave mode.
4. The received transmission ends.
5. When the FIFO feature is supported, FIFO mode is disabled: $C3[FIFOMODE]$ is 0.

After the interrupt wakes the CPU and the peripheral bus clock is active again, the SPI module copies the received data from the shifter into the Data register and generates flags or DMA request signals. During the wakeup phase, a continuous transmission from a master would destroy the first received data.

35.5 Initialization/application information

This section discusses an example of how to initialize and use the SPI.

35.5.1 Initialization sequence

Before the SPI module can be used for communication, an initialization procedure must be carried out, as follows:

1. Update the Control Register 1 ($SPIx_C1$) to enable the SPI and to control interrupt enables. This register also sets the SPI as master or slave, determines clock phase and polarity, and configures the main SPI options.

2. Update the Control Register 2 (SPIx_C2) to enable additional SPI functions such as the SPI match interrupt feature, the master mode-fault function, and bidirectional mode output as well as to control 8- or 16-bit mode selection and other optional features.
3. Update the Baud Rate Register (SPIx_BR) to set the prescaler and bit rate divisor for an SPI master.
4. Update the Hardware Match Register (SPIx_MH:SPIx_ML) with the value to be compared to the receive data register for triggering an interrupt if hardware match interrupts are enabled.
5. In the master, read SPIx_S while S[SPTEF] = 1, and then write to the transmit data register (SPIx_DH:SPIx_DL) to begin transfer.

35.5.2 Pseudo-Code Example

In this example, the SPI module is set up for master mode with only hardware match interrupts enabled. The SPI runs in 16-bit mode at a maximum baud rate of SPI module clock divided by 2. Clock phase and polarity are set for an active-high SPI clock where the first edge on SPSCCK occurs at the start of the first cycle of a data transfer.

SPIx_C1=0x54(%01010100)				
Bit 7	SPIE	=	0	Disables receive and mode fault interrupts
Bit 6	SPE	=	1	Enables the SPI system
Bit 5	SPTIE	=	0	Disables SPI transmit interrupts
Bit 4	MSTR	=	1	Sets the SPI module as a master SPI device
Bit 3	CPOL	=	0	Configures SPI clock as active-high
Bit 2	CPHA	=	1	First edge on SPSCCK at start of first data transfer cycle
Bit 1	SSOE	=	0	Determines SS pin function when mode fault enabled
Bit 0	LSBFE	=	0	SPI serial data transfers start with most significant bit

SPIx_C2 = 0xC0(%11000000)				
Bit 7	SPMIE	=	1	SPI hardware match interrupt enabled
Bit 6	SPIMODE	=	1	Configures SPI for 16-bit mode
Bit 5	TXDMAE	=	0	DMA request disabled
Bit 4	MODFEN	=	0	Disables mode fault function
Bit 3	BIDIROE	=	0	SPI data I/O pin acts as input
Bit 2	RXDMAE	=	0	DMA request disabled
Bit 1	SPISWAI	=	0	SPI clocks operate in wait mode
Bit 0	SPC0	=	0	uses separate pins for data input and output

SPIx_BR = 0x00(%00000000)				
	Bit 7		=	0 Reserved
	Bit 6:4		=	000 Sets prescale divisor to 1
	Bit 3:0		=	0000 Sets baud rate divisor to 2

SPIx_S = 0x00(%00000000)				
	Bit 7	SPRF	=	0 Flag is set when receive data buffer is full
	Bit 6	SPMF	=	0 Flag is set when SPIx_MH/ML = receive data buffer
	Bit 5	SPTEF	=	0 Flag is set when transmit data buffer is empty
	Bit 4	MODF	=	0 Mode fault flag for master mode
	Bit 3:0		=	0 FIFOMODE is not enabled

SPIx_MH = 0xXX	
	In 16-bit mode, this register holds bits 8–15 of the hardware match buffer. In 8-bit mode, writes to this register will be ignored.

SPIx_ML = 0xXX	
	Holds bits 0–7 of the hardware match buffer.

SPIx_DH = 0xxx	
	In 16-bit mode, this register holds bits 8–15 of the data to be transmitted by the transmit buffer and received by the receive buffer.

SPIx_DL = 0xxx	
	Holds bits 0–7 of the data to be transmitted by the transmit buffer and received by the receive buffer.

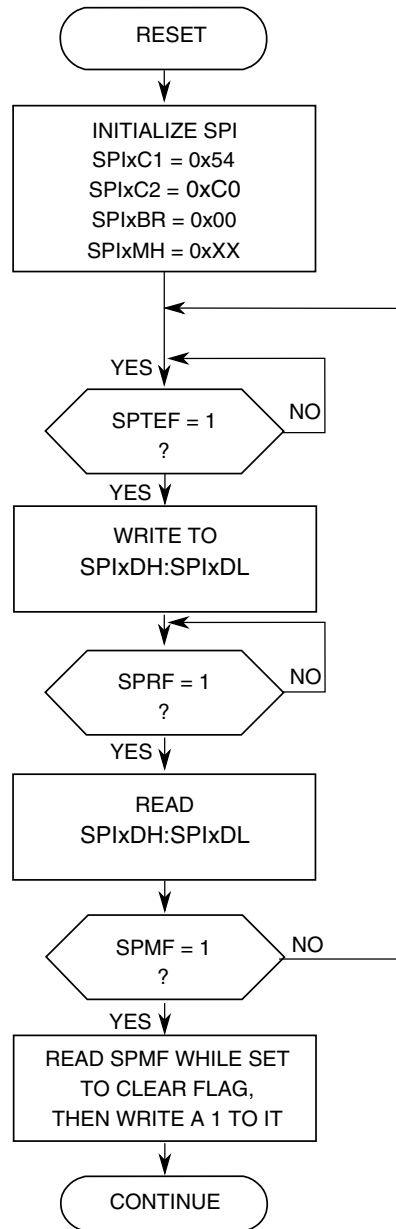


Figure 35-40. Initialization Flowchart Example for SPI Master Device in 16-bit Mode for FIFOMODE = 0

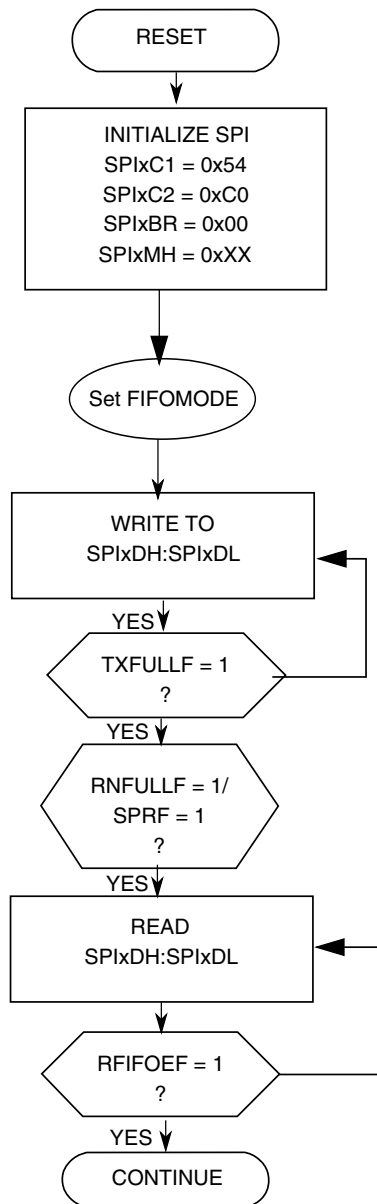


Figure 35-41. Initialization Flowchart Example for SPI Master Device in 16-bit Mode for FIFOMODE = 1

Chapter 36

Inter-Integrated Circuit (I2C)

36.1 Introduction

NOTE

For the chip-specific implementation details of this module's instances, see the chip configuration information.

The inter-integrated circuit (I²C, I2C, or IIC) module provides a method of communication between a number of devices. The interface is designed to operate up to 100 kbit/s with maximum bus loading and timing. The I2C device is capable of operating at higher baud rates, up to a maximum of clock/20, with reduced bus loading. The maximum communication length and the number of devices that can be connected are limited by a maximum bus capacitance of 400 pF. The I2C module also complies with the *System Management Bus (SMBus) Specification, version 2*.

36.1.1 Features

The I2C module has the following features:

- Compatible with *The I²C-Bus Specification*
- Multimaster operation
- Software programmable for one of 64 different serial clock frequencies
- Software-selectable acknowledge bit
- Interrupt-driven byte-by-byte data transfer
- Arbitration-lost interrupt with automatic mode switching from master to slave
- Calling address identification interrupt
- START and STOP signal generation and detection
- Repeated START signal generation and detection
- Acknowledge bit generation and detection
- Bus busy detection
- General call recognition

- 10-bit address extension
- Support for *System Management Bus (SMBus) Specification, version 2*
- Programmable glitch input filter
- Low power mode wakeup on slave address match
- Range slave address support
- DMA support

36.1.2 Modes of operation

The I2C module's operation in various low power modes is as follows:

- Run mode: This is the basic mode of operation. To conserve power in this mode, disable the module.
- Wait mode: The module continues to operate when the core is in Wait mode and can provide a wakeup interrupt.
- Stop mode: The module is inactive in Stop mode for reduced power consumption, except that address matching is enabled in Stop mode. The STOP instruction does not affect the I2C module's register states.

36.1.3 Block diagram

The following figure is a functional block diagram of the I2C module.

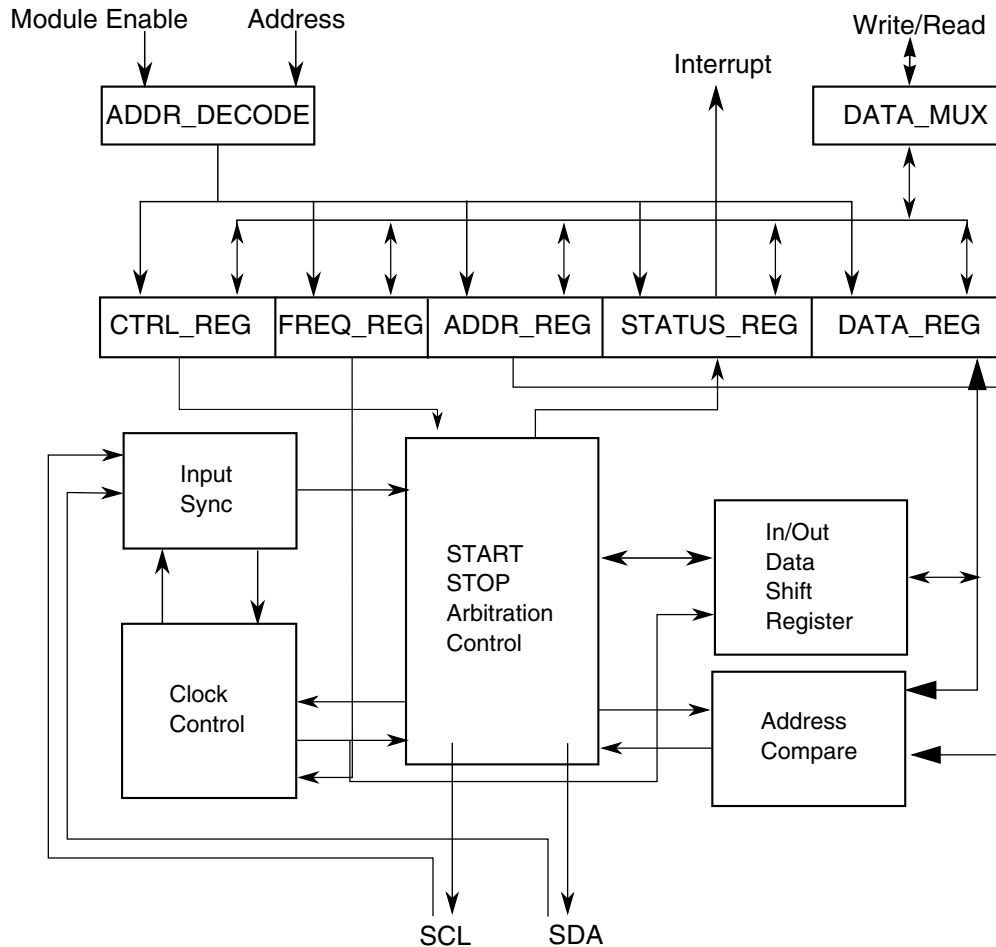


Figure 36-1. I2C Functional block diagram

36.2 I²C signal descriptions

The signal properties of I²C are shown in the following table.

Table 36-1. I²C signal descriptions

Signal	Description	I/O
SCL	Bidirectional serial clock line of the I ² C system.	I/O
SDA	Bidirectional serial data line of the I ² C system.	I/O

36.3 Memory map/register definition

This section describes in detail all I2C registers accessible to the end user.

I2C memory map

Absolute address (hex)	Register name	Width (in bits)	Access	Reset value	Section/page
4006_6000	I2C Address Register 1 (I2C0_A1)	8	R/W	00h	36.3.1/660
4006_6001	I2C Frequency Divider register (I2C0_F)	8	R/W	00h	36.3.2/661
4006_6002	I2C Control Register 1 (I2C0_C1)	8	R/W	00h	36.3.3/662
4006_6003	I2C Status register (I2C0_S)	8	R/W	80h	36.3.4/664
4006_6004	I2C Data I/O register (I2C0_D)	8	R/W	00h	36.3.5/665
4006_6005	I2C Control Register 2 (I2C0_C2)	8	R/W	00h	36.3.6/666
4006_6006	I2C Programmable Input Glitch Filter register (I2C0_FLT)	8	R/W	00h	36.3.7/667
4006_6007	I2C Range Address register (I2C0_RA)	8	R/W	00h	36.3.8/668
4006_6008	I2C SMBus Control and Status register (I2C0_SMB)	8	R/W	00h	36.3.9/669
4006_6009	I2C Address Register 2 (I2C0_A2)	8	R/W	C2h	36.3.10/671
4006_600A	I2C SCL Low Timeout Register High (I2C0_SLTH)	8	R/W	00h	36.3.11/671
4006_600B	I2C SCL Low Timeout Register Low (I2C0_SLTL)	8	R/W	00h	36.3.12/671
4006_7000	I2C Address Register 1 (I2C1_A1)	8	R/W	00h	36.3.1/660
4006_7001	I2C Frequency Divider register (I2C1_F)	8	R/W	00h	36.3.2/661
4006_7002	I2C Control Register 1 (I2C1_C1)	8	R/W	00h	36.3.3/662
4006_7003	I2C Status register (I2C1_S)	8	R/W	80h	36.3.4/664
4006_7004	I2C Data I/O register (I2C1_D)	8	R/W	00h	36.3.5/665
4006_7005	I2C Control Register 2 (I2C1_C2)	8	R/W	00h	36.3.6/666
4006_7006	I2C Programmable Input Glitch Filter register (I2C1_FLT)	8	R/W	00h	36.3.7/667
4006_7007	I2C Range Address register (I2C1_RA)	8	R/W	00h	36.3.8/668
4006_7008	I2C SMBus Control and Status register (I2C1_SMB)	8	R/W	00h	36.3.9/669
4006_7009	I2C Address Register 2 (I2C1_A2)	8	R/W	C2h	36.3.10/671
4006_700A	I2C SCL Low Timeout Register High (I2C1_SLTH)	8	R/W	00h	36.3.11/671
4006_700B	I2C SCL Low Timeout Register Low (I2C1_SLTL)	8	R/W	00h	36.3.12/671

36.3.1 I2C Address Register 1 (I2Cx_A1)

This register contains the slave address to be used by the I2C module.

Address: Base address + 0h offset

Bit	7	6	5	4	3	2	1	0
Read	AD[7:1]							0
Write								
Reset	0	0	0	0	0	0	0	0

I2Cx_A1 field descriptions

Field	Description
7–1 AD[7:1]	Address Contains the primary slave address used by the I2C module when it is addressed as a slave. This field is used in the 7-bit address scheme and the lower seven bits in the 10-bit address scheme.
0 Reserved	This field is reserved. This read-only field is reserved and always has the value 0.

36.3.2 I2C Frequency Divider register (I2Cx_F)

Address: Base address + 1h offset

Bit	7	6	5	4	3	2	1	0
Read								
Write								
Reset	0	0	0	0	0	0	0	0

I2Cx_F field descriptions

Field	Description
7–6 MULT	<p>The MULT bits define the multiplier factor mul. This factor is used along with the SCL divider to generate the I2C baud rate.</p> <p>00 mul = 1 01 mul = 2 10 mul = 4 11 Reserved</p>
5–0 ICR	<p>ClockRate</p> <p>Prescales the bus clock for bit rate selection. This field and the MULT field determine the I2C baud rate, the SDA hold time, the SCL start hold time, and the SCL stop hold time. For a list of values corresponding to each ICR setting, see I2C divider and hold values.</p> <p>The SCL divider multiplied by multiplier factor (mul) determines the I2C baud rate.</p> $\text{I2C baud rate} = \text{bus speed (Hz)} / (\text{mul} \times \text{SCL divider})$ <p>The SDA hold time is the delay from the falling edge of SCL (I2C clock) to the changing of SDA (I2C data).</p> $\text{SDA hold time} = \text{bus period (s)} \times \text{mul} \times \text{SDA hold value}$ <p>The SCL start hold time is the delay from the falling edge of SDA (I2C data) while SCL is high (start condition) to the falling edge of SCL (I2C clock).</p> $\text{SCL start hold time} = \text{bus period (s)} \times \text{mul} \times \text{SCL start hold value}$ <p>The SCL stop hold time is the delay from the rising edge of SCL (I2C clock) to the rising edge of SDA (I2C data) while SCL is high (stop condition).</p> $\text{SCL stop hold time} = \text{bus period (s)} \times \text{mul} \times \text{SCL stop hold value}$ <p>For example, if the bus speed is 8 MHz, the following table shows the possible hold time values with different ICR and MULT selections to achieve an I²C baud rate of 100 kbit/s.</p>

Table continues on the next page...

I2Cx_F field descriptions (continued)

Field	Description				
	MULT	ICR	Hold times (µs)		
			SDA	SCL Start	SCL Stop
	2h	00h	3.500	3.000	5.500
	1h	07h	2.500	4.000	5.250
	1h	0Bh	2.250	4.000	5.250
	0h	14h	2.125	4.250	5.125
0h	18h	1.125	4.750	5.125	

36.3.3 I2C Control Register 1 (I2Cx_C1)

Address: Base address + 2h offset

Bit	7	6	5	4	3	2	1	0
Read	IICEN	IICIE	MST	TX	TXAK	0	WUEN	DMAEN
Write						RSTA		
Reset	0	0	0	0	0	0	0	0

I2Cx_C1 field descriptions

Field	Description
7 IICEN	I2C Enable Enables I2C module operation. 0 Disabled 1 Enabled
6 IICIE	I2C Interrupt Enable Enables I2C interrupt requests. 0 Disabled 1 Enabled
5 MST	Master Mode Select When the MST bit is changed from a 0 to a 1, a START signal is generated on the bus and master mode is selected. When this bit changes from a 1 to a 0, a STOP signal is generated and the mode of operation changes from master to slave. 0 Slave mode 1 Master mode
4 TX	Transmit Mode Select

Table continues on the next page...

I2Cx_C1 field descriptions (continued)

Field	Description
	<p>Selects the direction of master and slave transfers. In master mode this bit must be set according to the type of transfer required. Therefore, for address cycles, this bit is always set. When addressed as a slave this bit must be set by software according to the SRW bit in the status register.</p> <p>0 Receive 1 Transmit</p>
<p>3 TXAK</p>	<p>Transmit Acknowledge Enable</p> <p>Specifies the value driven onto the SDA during data acknowledge cycles for both master and slave receivers. The value of the FACK bit affects NACK/ACK generation.</p> <p>NOTE: SCL is held low until TXAK is written.</p> <p>0 An acknowledge signal is sent to the bus on the following receiving byte (if FACK is cleared) or the current receiving byte (if FACK is set). 1 No acknowledge signal is sent to the bus on the following receiving data byte (if FACK is cleared) or the current receiving data byte (if FACK is set).</p>
<p>2 RSTA</p>	<p>Repeat START</p> <p>Writing a one to this bit generates a repeated START condition provided it is the current master. This bit will always be read as zero. Attempting a repeat at the wrong time results in loss of arbitration.</p>
<p>1 WUEN</p>	<p>Wakeup Enable</p> <p>The I2C module can wake the MCU from low power mode with no peripheral bus running when slave address matching occurs.</p> <p>0 Normal operation. No interrupt generated when address matching in low power mode. 1 Enables the wakeup function in low power mode.</p>
<p>0 DMAEN</p>	<p>DMA Enable</p> <p>The DMAEN bit enables or disables the DMA function.</p> <p>0 All DMA signalling disabled. 1 DMA transfer is enabled and the following conditions trigger the DMA request:</p> <ul style="list-style-type: none"> • While FACK = 0, a data byte is received, either address or data is transmitted. (ACK/NACK automatic) • While FACK = 0, the first byte received matches the A1 register or is general call address. <p>If any address matching occurs, IAAS and TCF are set. If the direction of transfer is known from master to slave, then it is not required to check the SRW. With this assumption, DMA can also be used in this case. In other cases, if the master reads data from the slave, then it is required to rewrite the C1 register operation. With this assumption, DMA cannot be used.</p> <p>When FACK = 1, an address or a data byte is transmitted.</p>

36.3.4 I2C Status register (I2Cx_S)

Address: Base address + 3h offset

Bit	7	6	5	4	3	2	1	0
Read	TCF	IAAS	BUSY	ARBL	RAM	SRW	IICIF	RXAK
Write				w1c			w1c	
Reset	1	0	0	0	0	0	0	0

I2Cx_S field descriptions

Field	Description
7 TCF	<p>Transfer Complete Flag</p> <p>This bit sets on the completion of a byte and acknowledge bit transfer. This bit is valid only during or immediately following a transfer to or from the I2C module. The TCF bit is cleared by reading the I2C data register in receive mode or by writing to the I2C data register in transmit mode.</p> <p>0 Transfer in progress 1 Transfer complete</p>
6 IAAS	<p>Addressed As A Slave</p> <p>This bit is set by one of the following conditions:</p> <ul style="list-style-type: none"> The calling address matches the programmed slave primary address in the A1 register or range address in the RA register (which must be set to a nonzero value). GCAEN is set and a general call is received. SIICAEN is set and the calling address matches the second programmed slave address. ALERTEN is set and an SMBus alert response address is received RMEN is set and an address is received that is within the range between the values of the A1 and RA registers. <p>This bit sets before the ACK bit. The CPU must check the SRW bit and set TX/RX accordingly. Writing the C1 register with any value clears this bit.</p> <p>0 Not addressed 1 Addressed as a slave</p>
5 BUSY	<p>Bus Busy</p> <p>Indicates the status of the bus regardless of slave or master mode. This bit is set when a START signal is detected and cleared when a STOP signal is detected.</p> <p>0 Bus is idle 1 Bus is busy</p>
4 ARBL	<p>Arbitration Lost</p> <p>This bit is set by hardware when the arbitration procedure is lost. The ARBL bit must be cleared by software, by writing a one to it.</p> <p>0 Standard bus operation. 1 Loss of arbitration.</p>
3 RAM	<p>Range Address Match</p> <p>This bit is set to 1 by any of the following conditions:</p>

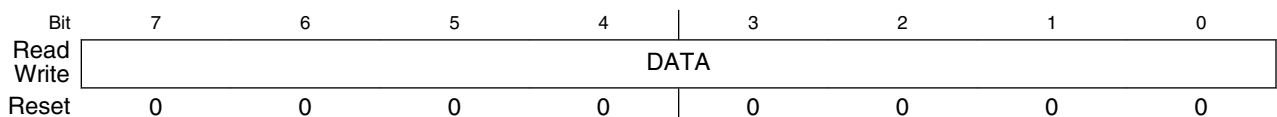
Table continues on the next page...

I2Cx_S field descriptions (continued)

Field	Description
	<ul style="list-style-type: none"> Any nonzero calling address is received that matches the address in the RA register. The RMEN bit is set and the calling address is within the range of values of the A1 and RA registers. <p>NOTE: For the RAM bit to be set to 1 correctly, C1[IICIE] must be set to 1.</p> <p>Writing the C1 register with any value clears this bit to 0.</p> <p>0 Not addressed 1 Addressed as a slave</p>
2 SRW	<p>Slave Read/Write</p> <p>When addressed as a slave, SRW indicates the value of the R/\bar{W} command bit of the calling address sent to the master.</p> <p>0 Slave receive, master writing to slave 1 Slave transmit, master reading from slave</p>
1 IICIF	<p>Interrupt Flag</p> <p>This bit sets when an interrupt is pending. This bit must be cleared by software by writing a 1 to it, such as in the interrupt routine. One of the following events can set this bit:</p> <ul style="list-style-type: none"> One byte transfer, including ACK/NACK bit, completes if FACK is 0. An ACK or NACK is sent on the bus by writing 0 or 1 to TXAK after this bit is set in receive mode. One byte transfer, excluding ACK/NACK bit, completes if FACK is 1. Match of slave address to calling address including primary slave address, range slave address, alert response address, second slave address, or general call address. Arbitration lost In SMBus mode, any timeouts except SCL and SDA high timeouts I2C bus stop detection if the STOPIE bit in the Input Glitch Filter register is 1 <p>NOTE: To clear the I2C bus stop detection interrupt: In the interrupt service routine, first clear the STOPF bit in the Input Glitch Filter register by writing 1 to it, and then clear the IICIF bit. If this sequence is reversed, the IICIF bit is asserted again.</p> <p>0 No interrupt pending 1 Interrupt pending</p>
0 RXAK	<p>Receive Acknowledge</p> <p>0 Acknowledge signal was received after the completion of one byte of data transmission on the bus 1 No acknowledge signal detected</p>

36.3.5 I2C Data I/O register (I2Cx_D)

Address: Base address + 4h offset



I2Cx_D field descriptions

Field	Description
7-0 DATA	<p>Data</p> <p>In master transmit mode, when data is written to this register, a data transfer is initiated. The most significant bit is sent first. In master receive mode, reading this register initiates receiving of the next byte of data.</p> <p>NOTE: When making the transition out of master receive mode, switch the I2C mode before reading the Data register to prevent an inadvertent initiation of a master receive data transfer.</p> <p>In slave mode, the same functions are available after an address match occurs.</p> <p>The C1[TX] bit must correctly reflect the desired direction of transfer in master and slave modes for the transmission to begin. For example, if the I2C module is configured for master transmit but a master receive is desired, reading the Data register does not initiate the receive.</p> <p>Reading the Data register returns the last byte received while the I2C module is configured in master receive or slave receive mode. The Data register does not reflect every byte that is transmitted on the I2C bus, and neither can software verify that a byte has been written to the Data register correctly by reading it back.</p> <p>In master transmit mode, the first byte of data written to the Data register following assertion of MST (start bit) or assertion of RSTA (repeated start bit) is used for the address transfer and must consist of the calling address (in bits 7-1) concatenated with the required R/W bit (in position bit 0).</p>

36.3.6 I2C Control Register 2 (I2Cx_C2)

Address: Base address + 5h offset

Bit	7	6	5	4	3	2	1	0
Read	GCAEN	ADEXT	HDRS	SBRC	RMEN	AD[10:8]		
Write								
Reset	0	0	0	0	0	0	0	0

I2Cx_C2 field descriptions

Field	Description
7 GCAEN	<p>General Call Address Enable</p> <p>Enables general call address.</p> <p>0 Disabled 1 Enabled</p>
6 ADEXT	<p>Address Extension</p> <p>Controls the number of bits used for the slave address.</p> <p>0 7-bit address scheme 1 10-bit address scheme</p>
5 HDRS	<p>High Drive Select</p> <p>Controls the drive capability of the I2C pads.</p>

Table continues on the next page...

I2Cx_C2 field descriptions (continued)

Field	Description
	0 Normal drive mode 1 High drive mode
4 SBRC	Slave Baud Rate Control Enables independent slave mode baud rate at maximum frequency, which forces clock stretching on SCL in very fast I2C modes. To a slave, an example of a "very fast" mode is when the master transfers at 40 kbit/s but the slave can capture the master's data at only 10 kbit/s. 0 The slave baud rate follows the master baud rate and clock stretching may occur 1 Slave baud rate is independent of the master baud rate
3 RMEN	Range Address Matching Enable This bit controls slave address matching for addresses between the values of the A1 and RA registers. When this bit is set, a slave address match occurs for any address greater than the value of the A1 register and less than or equal to the value of the RA register. 0 Range mode disabled. No address match occurs for an address within the range of values of the A1 and RA registers. 1 Range mode enabled. Address matching occurs when a slave receives an address within the range of values of the A1 and RA registers.
2-0 AD[10:8]	Slave Address Contains the upper three bits of the slave address in the 10-bit address scheme. This field is valid only while the ADEXT bit is set.

36.3.7 I2C Programmable Input Glitch Filter register (I2Cx_FLT)

Address: Base address + 6h offset

Bit	7	6	5	4	3	2	1	0
Read	SHEN	STOPF	STOPIE			FLT		
Write		w1c						
Reset	0	0	0	0	0	0	0	0

I2Cx_FLT field descriptions

Field	Description
7 SHEN	Stop Hold Enable Set this bit to hold off entry to stop mode when any data transmission or reception is occurring. The following scenario explains the holdoff functionality: <ol style="list-style-type: none"> 1. The I2C module is configured for a basic transfer, and the SHEN bit is set to 1. 2. A transfer begins. 3. The MCU signals the I2C module to enter stop mode. 4. The byte currently being transferred, including both address and data, completes its transfer. 5. The I2C slave or master acknowledges that the in-transfer byte completed its transfer and acknowledges the request to enter stop mode. 6. After receiving the I2C module's acknowledgment of the request to enter stop mode, the MCU determines whether to shut off the I2C module's clock.

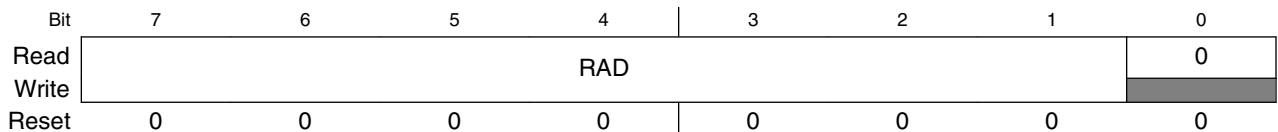
Table continues on the next page...

I2Cx_FLT field descriptions (continued)

Field	Description
	<p>If the SHEN bit is set to 1 and the I2C module is in an idle or disabled state when the MCU signals to enter stop mode, the module immediately acknowledges the request to enter stop mode.</p> <p>If SHEN is cleared to 0 and the overall data transmission or reception that was suspended by stop mode entry was incomplete: To resume the overall transmission or reception after the MCU exits stop mode, software must reinitialize the transfer by resending the address of the slave.</p> <p>If the I2C Control Register 1's IICIE bit was set to 1 before the MCU entered stop mode, system software will receive the interrupt triggered by the I2C Status Register's TCF bit after the MCU wakes from the stop mode.</p> <p>0 Stop holdoff is disabled. The MCU's entry to stop mode is not gated. 1 Stop holdoff is enabled.</p>
6 STOPF	<p>I2C Bus Stop Detect Flag</p> <p>Hardware sets this bit when the I2C bus's stop status is detected. The STOPF bit must be cleared by writing 1 to it.</p> <p>0 No stop happens on I2C bus 1 Stop detected on I2C bus</p>
5 STOPIE	<p>I2C Bus Stop Interrupt Enable</p> <p>This bit enables the interrupt for I2C bus stop detection.</p> <p>NOTE: To clear the I2C bus stop detection interrupt: In the interrupt service routine, first clear the STOPF bit by writing 1 to it, and then clear the IICIF bit in the status register. If this sequence is reversed, the IICIF bit is asserted again.</p> <p>0 Stop detection interrupt is disabled 1 Stop detection interrupt is enabled</p>
4-0 FLT	<p>I2C Programmable Filter Factor</p> <p>Controls the width of the glitch, in terms of bus clock cycles, that the filter must absorb. For any glitch whose size is less than or equal to this width setting, the filter does not allow the glitch to pass.</p> <p>00h No filter/bypass 01-1Fh Filter glitches up to width of n bus clock cycles, where $n=1-31d$</p>

36.3.8 I2C Range Address register (I2Cx_RA)

Address: Base address + 7h offset



I2Cx_RA field descriptions

Field	Description
7-1 RAD	Range Slave Address

Table continues on the next page...

I2Cx_RA field descriptions (continued)

Field	Description
	This field contains the slave address to be used by the I2C module. The field is used in the 7-bit address scheme. Any nonzero write enables this register. This register's use is similar to that of the A1 register, but in addition this register can be considered a maximum boundary in range matching mode.
0 Reserved	This field is reserved. This read-only field is reserved and always has the value 0.

36.3.9 I2C SMBus Control and Status register (I2Cx_SMB)**NOTE**

When the SCL and SDA signals are held high for a length of time greater than the high timeout period, the SHTF1 flag sets. Before reaching this threshold, while the system is detecting how long these signals are being held high, a master assumes that the bus is free. However, the SHTF1 bit rises in the bus transmission process with the idle bus state.

NOTE

When the TCKSEL bit is set, there is no need to monitor the SHTF1 bit because the bus speed is too high to match the protocol of SMBus.

Address: Base address + 8h offset

Bit	7	6	5	4	3	2	1	0
Read	FAACK	ALERTEN	SIICAEN	TCKSEL	SLTF	SHTF1	SHTF2	SHTF2IE
Write					w1c		w1c	
Reset	0	0	0	0	0	0	0	0

I2Cx_SMB field descriptions

Field	Description
7 FAACK	Fast NACK/ACK Enable For SMBus packet error checking, the CPU must be able to issue an ACK or NACK according to the result of receiving data byte. 0 An ACK or NACK is sent on the following receiving data byte 1 Writing 0 to TXAK after receiving a data byte generates an ACK. Writing 1 to TXAK after receiving a data byte generates a NACK.
6 ALERTEN	SMBus Alert Response Address Enable Enables or disables SMBus alert response address matching. NOTE: After the host responds to a device that used the alert response address, you must use software to put the device's address on the bus. The alert protocol is described in the SMBus specification.

Table continues on the next page...

I2Cx_SMB field descriptions (continued)

Field	Description
	0 SMBus alert response address matching is disabled 1 SMBus alert response address matching is enabled
5 SIICAEN	Second I2C Address Enable Enables or disables SMBus device default address. 0 I2C address register 2 matching is disabled 1 I2C address register 2 matching is enabled
4 TCKSEL	Timeout Counter Clock Select Selects the clock source of the timeout counter. 0 Timeout counter counts at the frequency of the bus clock / 64 1 Timeout counter counts at the frequency of the bus clock
3 SLTF	SCL Low Timeout Flag This bit is set when the SLT register (consisting of the SLTH and SLTL registers) is loaded with a non-zero value (LoValue) and an SCL low timeout occurs. Software clears this bit by writing a logic 1 to it. NOTE: The low timeout function is disabled when the SLT register's value is zero. 0 No low timeout occurs 1 Low timeout occurs
2 SHTF1	SCL High Timeout Flag 1 This read-only bit sets when SCL and SDA are held high more than $\text{clock} \times \text{LoValue} / 512$, which indicates the bus is free. This bit is cleared automatically. 0 No SCL high and SDA high timeout occurs 1 SCL high and SDA high timeout occurs
1 SHTF2	SCL High Timeout Flag 2 This bit sets when SCL is held high and SDA is held low more than $\text{clock} \times \text{LoValue} / 512$. Software clears this bit by writing a 1 to it. 0 No SCL high and SDA low timeout occurs 1 SCL high and SDA low timeout occurs
0 SHTF2IE	SHTF2 Interrupt Enable Enables SCL high and SDA low timeout interrupt. 0 SHTF2 interrupt is disabled 1 SHTF2 interrupt is enabled

36.3.10 I2C Address Register 2 (I2Cx_A2)

Address: Base address + 9h offset

Bit	7	6	5	4	3	2	1	0
Read	SAD							0
Write								
Reset	1	1	0	0	0	0	1	0

I2Cx_A2 field descriptions

Field	Description
7–1 SAD	SMBus Address Contains the slave address used by the SMBus. This field is used on the device default address or other related addresses.
0 Reserved	This field is reserved. This read-only field is reserved and always has the value 0.

36.3.11 I2C SCL Low Timeout Register High (I2Cx_SLTH)

Address: Base address + Ah offset

Bit	7	6	5	4	3	2	1	0
Read	SSLT[15:8]							
Write								
Reset	0	0	0	0	0	0	0	0

I2Cx_SLTH field descriptions

Field	Description
7–0 SSLT[15:8]	Most significant byte of SCL low timeout value that determines the timeout period of SCL low.

36.3.12 I2C SCL Low Timeout Register Low (I2Cx_SLTL)

Address: Base address + Bh offset

Bit	7	6	5	4	3	2	1	0
Read	SSLT[7:0]							
Write								
Reset	0	0	0	0	0	0	0	0

I2Cx_SLTL field descriptions

Field	Description
7–0 SSLT[7:0]	Least significant byte of SCL low timeout value that determines the timeout period of SCL low.

36.4 Functional description

This section provides a comprehensive functional description of the I2C module.

36.4.1 I2C protocol

The I2C bus system uses a serial data line (SDA) and a serial clock line (SCL) for data transfers. All devices connected to it must have open drain or open collector outputs. A logic AND function is exercised on both lines with external pull-up resistors. The value of these resistors depends on the system.

Normally, a standard instance of communication is composed of four parts:

1. START signal
2. Slave address transmission
3. Data transfer
4. STOP signal

The STOP signal should not be confused with the CPU STOP instruction. The following figure illustrates I2C bus system communication.

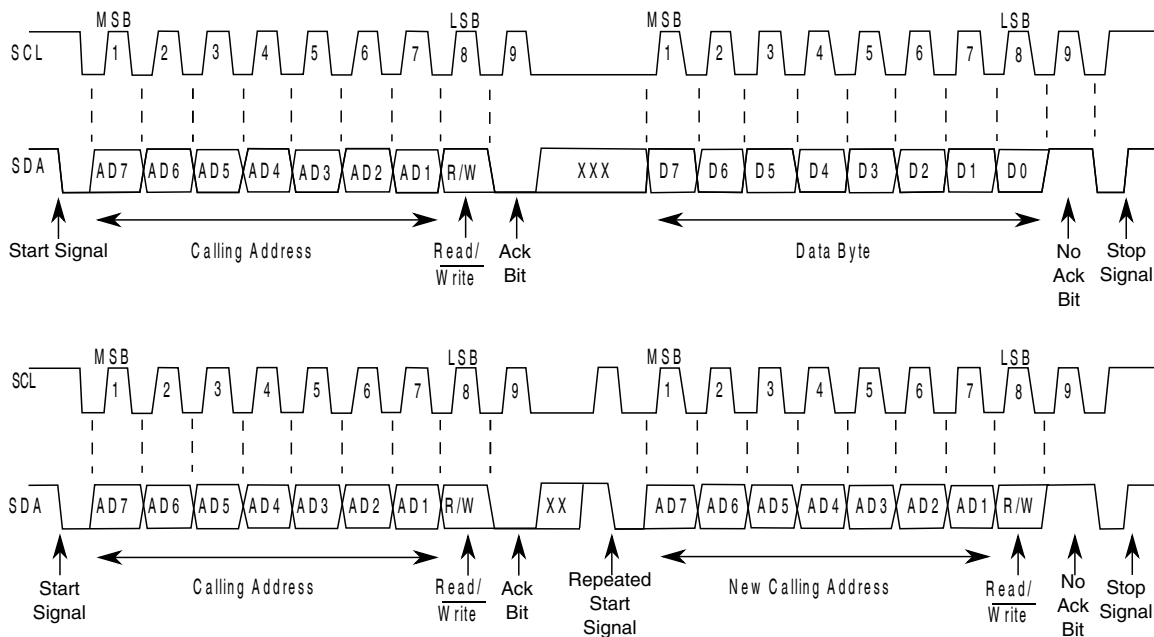


Figure 36-38. I2C bus transmission signals

36.4.1.1 START signal

The bus is free when no master device is engaging the bus (both SCL and SDA are high). When the bus is free, a master may initiate communication by sending a START signal. A START signal is defined as a high-to-low transition of SDA while SCL is high. This signal denotes the beginning of a new data transfer—each data transfer might contain several bytes of data—and brings all slaves out of their idle states.

36.4.1.2 Slave address transmission

Immediately after the START signal, the first byte of a data transfer is the slave address transmitted by the master. This address is a 7-bit calling address followed by an R/\overline{W} bit. The R/\overline{W} bit tells the slave the desired direction of data transfer.

- 1 = Read transfer: The slave transmits data to the master
- 0 = Write transfer: The master transmits data to the slave

Only the slave with a calling address that matches the one transmitted by the master responds by sending an acknowledge bit. The slave sends the acknowledge bit by pulling SDA low at the ninth clock.

No two slaves in the system can have the same address. If the I2C module is the master, it must not transmit an address that is equal to its own slave address. The I2C module cannot be master and slave at the same time. However, if arbitration is lost during an address cycle, the I2C module reverts to slave mode and operates correctly even if it is being addressed by another master.

36.4.1.3 Data transfers

When successful slave addressing is achieved, data transfer can proceed on a byte-by-byte basis in the direction specified by the R/\overline{W} bit sent by the calling master.

All transfers that follow an address cycle are referred to as data transfers, even if they carry subaddress information for the slave device.

Each data byte is 8 bits long. Data may be changed only while SCL is low. Data must be held stable while SCL is high. There is one clock pulse on SCL for each data bit, and the MSB is transferred first. Each data byte is followed by a ninth (acknowledge) bit, which is signaled from the receiving device by pulling SDA low at the ninth clock. In summary, one complete data transfer needs nine clock pulses.

If the slave receiver does not acknowledge the master in the ninth bit, the slave must leave SDA high. The master interprets the failed acknowledgement as an unsuccessful data transfer.

If the master receiver does not acknowledge the slave transmitter after a data byte transmission, the slave interprets it as an end to data transfer and releases the SDA line.

In the case of a failed acknowledgement by either the slave or master, the data transfer is aborted and the master does one of two things:

- Relinquishes the bus by generating a STOP signal.
- Commences a new call by generating a repeated START signal.

36.4.1.4 STOP signal

The master can terminate the communication by generating a STOP signal to free the bus. A STOP signal is defined as a low-to-high transition of SDA while SCL is asserted.

The master can generate a STOP signal even if the slave has generated an acknowledgement, at which point the slave must release the bus.

36.4.1.5 Repeated START signal

The master may generate a START signal followed by a calling command without generating a STOP signal first. This action is called a repeated START. The master uses a repeated START to communicate with another slave or with the same slave in a different mode (transmit/receive mode) without releasing the bus.

36.4.1.6 Arbitration procedure

The I2C bus is a true multimaster bus that allows more than one master to be connected on it.

If two or more masters try to control the bus at the same time, a clock synchronization procedure determines the bus clock. The bus clock's low period is equal to the longest clock low period, and the high period is equal to the shortest one among the masters.

The relative priority of the contending masters is determined by a data arbitration procedure. A bus master loses arbitration if it transmits logic level 1 while another master transmits logic level 0. The losing masters immediately switch to slave receive mode and

stop driving SDA output. In this case, the transition from master to slave mode does not generate a STOP condition. Meanwhile, hardware sets a status bit to indicate the loss of arbitration.

36.4.1.7 Clock synchronization

Because wire AND logic is performed on SCL, a high-to-low transition on SCL affects all devices connected on the bus. The devices start counting their low period and, after a device's clock has gone low, that device holds SCL low until the clock reaches its high state. However, the change of low to high in this device clock might not change the state of SCL if another device clock is still within its low period. Therefore, the synchronized clock SCL is held low by the device with the longest low period. Devices with shorter low periods enter a high wait state during this time; see the following diagram. When all applicable devices have counted off their low period, the synchronized clock SCL is released and pulled high. Afterward there is no difference between the device clocks and the state of SCL, and all devices start counting their high periods. The first device to complete its high period pulls SCL low again.

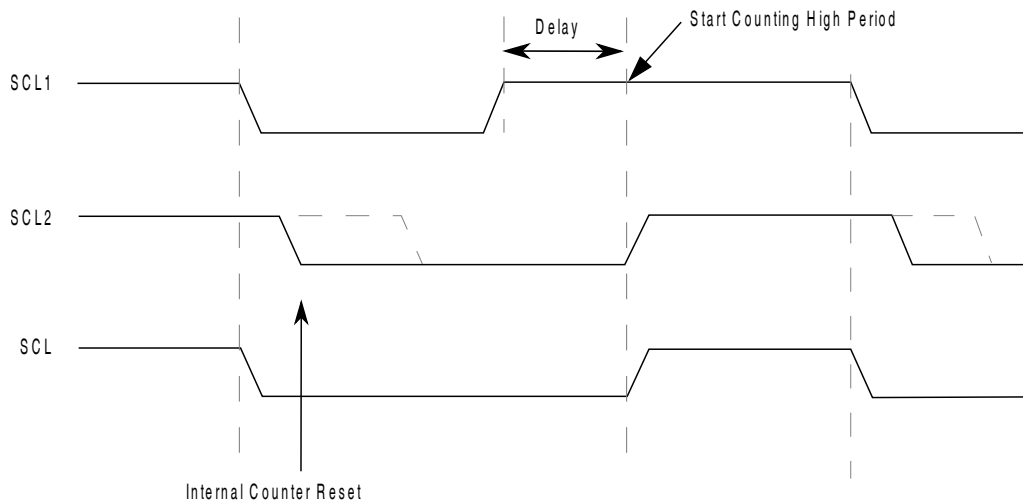


Figure 36-39. I2C clock synchronization

36.4.1.8 Handshaking

The clock synchronization mechanism can be used as a handshake in data transfers. A slave device may hold SCL low after completing a single byte transfer (9 bits). In this case, it halts the bus clock and forces the master clock into wait states until the slave releases SCL.

36.4.1.9 Clock stretching

The clock synchronization mechanism can be used by slaves to slow down the bit rate of a transfer. After the master drives SCL low, a slave can drive SCL low for the required period and then release it. If the slave's SCL low period is greater than the master's SCL low period, the resulting SCL bus signal's low period is stretched. In other words, the SCL bus signal's low period is increased to be the same length as the slave's SCL low period.

36.4.1.10 I2C divider and hold values

NOTE

For some cases on some devices, the SCL divider value may vary by +/-2 or +/-4 when ICR's value ranges from 00h to 0Fh. These potentially varying SCL divider values are highlighted in the following table. For the actual SCL divider values for your device, see the chip-specific details about the I2C module.

Table 36-41. I2C divider and hold values

ICR (hex)	SCL divider	SDA hold value	SCL hold (start) value	SCL hold (stop) value	ICR (hex)	SCL divider (clocks)	SDA hold (clocks)	SCL hold (start) value	SCL hold (stop) value
00	20	7	6	11	20	160	17	78	81
01	22	7	7	12	21	192	17	94	97
02	24	8	8	13	22	224	33	110	113
03	26	8	9	14	23	256	33	126	129
04	28	9	10	15	24	288	49	142	145
05	30	9	11	16	25	320	49	158	161
06	34	10	13	18	26	384	65	190	193
07	40	10	16	21	27	480	65	238	241
08	28	7	10	15	28	320	33	158	161
09	32	7	12	17	29	384	33	190	193
0A	36	9	14	19	2A	448	65	222	225
0B	40	9	16	21	2B	512	65	254	257
0C	44	11	18	23	2C	576	97	286	289
0D	48	11	20	25	2D	640	97	318	321
0E	56	13	24	29	2E	768	129	382	385
0F	68	13	30	35	2F	960	129	478	481
10	48	9	18	25	30	640	65	318	321
11	56	9	22	29	31	768	65	382	385
12	64	13	26	33	32	896	129	446	449
13	72	13	30	37	33	1024	129	510	513

Table continues on the next page...

Table 36-41. I2C divider and hold values (continued)

ICR (hex)	SCL divider	SDA hold value	SCL hold (start) value	SCL hold (stop) value	ICR (hex)	SCL divider (clocks)	SDA hold (clocks)	SCL hold (start) value	SCL hold (stop) value
14	80	17	34	41	34	1152	193	574	577
15	88	17	38	45	35	1280	193	638	641
16	104	21	46	53	36	1536	257	766	769
17	128	21	58	65	37	1920	257	958	961
18	80	9	38	41	38	1280	129	638	641
19	96	9	46	49	39	1536	129	766	769
1A	112	17	54	57	3A	1792	257	894	897
1B	128	17	62	65	3B	2048	257	1022	1025
1C	144	25	70	73	3C	2304	385	1150	1153
1D	160	25	78	81	3D	2560	385	1278	1281
1E	192	33	94	97	3E	3072	513	1534	1537
1F	240	33	118	121	3F	3840	513	1918	1921

36.4.2 10-bit address

For 10-bit addressing, 0x11110 is used for the first 5 bits of the first address byte. Various combinations of read/write formats are possible within a transfer that includes 10-bit addressing.

36.4.2.1 Master-transmitter addresses a slave-receiver

The transfer direction is not changed. When a 10-bit address follows a START condition, each slave compares the first 7 bits of the first byte of the slave address (11110XX) with its own address and tests whether the eighth bit (R/\overline{W} direction bit) is 0. It is possible that more than one device finds a match and generates an acknowledge (A1). Each slave that finds a match compares the 8 bits of the second byte of the slave address with its own address, but only one slave finds a match and generates an acknowledge (A2). The matching slave remains addressed by the master until it receives a STOP condition (P) or a repeated START condition (Sr) followed by a different slave address.

Table 36-42. Master-transmitter addresses slave-receiver with a 10-bit address

S	Slave address first 7 bits 11110 + AD10 + AD9	R/W 0	A1	Slave address second byte AD[8:1]	A2	Data	A	...	Data	A/A	P
---	--	----------	----	--------------------------------------	----	------	---	-----	------	-----	---

After the master-transmitter has sent the first byte of the 10-bit address, the slave-receiver sees an I2C interrupt. User software must ensure that for this interrupt, the contents of the Data register are ignored and not treated as valid data.

36.4.2.2 Master-receiver addresses a slave-transmitter

The transfer direction is changed after the second R/\overline{W} bit. Up to and including acknowledge bit A2, the procedure is the same as that described for a master-transmitter addressing a slave-receiver. After the repeated START condition (Sr), a matching slave remembers that it was addressed before. This slave then checks whether the first seven bits of the first byte of the slave address following Sr are the same as they were after the START condition (S), and it tests whether the eighth (R/\overline{W}) bit is 1. If there is a match, the slave considers that it has been addressed as a transmitter and generates acknowledge A3. The slave-transmitter remains addressed until it receives a STOP condition (P) or a repeated START condition (Sr) followed by a different slave address.

After a repeated START condition (Sr), all other slave devices also compare the first seven bits of the first byte of the slave address with their own addresses and test the eighth (R/\overline{W}) bit. However, none of them are addressed because $R/\overline{W} = 1$ (for 10-bit devices), or the 11110XX slave address (for 7-bit devices) does not match.

Table 36-43. Master-receiver addresses a slave-transmitter with a 10-bit address

S	Slave address first 7 bits 11110 + AD10 + AD9	R/W 0	A1	Slave address second byte AD[8:1]	A2	Sr	Slave address first 7 bits 11110 + AD10 + AD9	R/W 1	A3	Data	A	...	Data	A	P
---	--	----------	----	--------------------------------------	----	----	--	----------	----	------	---	-----	------	---	---

After the master-receiver has sent the first byte of the 10-bit address, the slave-transmitter sees an I2C interrupt. User software must ensure that for this interrupt, the contents of the Data register are ignored and not treated as valid data.

36.4.3 Address matching

All received addresses can be requested in 7-bit or 10-bit address format.

- AD[7:1] in Address Register 1, which contains the I2C primary slave address, always participates in the address matching process. It provides a 7-bit address.
- If the ADEXT bit is set, AD[10:8] in Control Register 2 participates in the address matching process. It extends the I2C primary slave address to a 10-bit address.

Additional conditions that affect address matching include:

- If the GCAEN bit is set, general call participates the address matching process.
- If the ALERTEN bit is set, alert response participates the address matching process.
- If the SIICAEN bit is set, Address Register 2 participates in the address matching process.
- If the Range Address register is programmed to a nonzero value, the range address itself participates in the address matching process.
- If the RMEN bit is set, any address within the range of values of Address Register 1 and the Range Address register participates in the address matching process. The Range Address register must be programmed to a value greater than the value of Address Register 1.

When the I2C module responds to one of these addresses, it acts as a slave-receiver and the IAAS bit is set after the address cycle. Software must read the Data register after the first byte transfer to determine that the address is matched.

36.4.4 System management bus specification

SMBus provides a control bus for system and power management related tasks. A system can use SMBus to pass messages to and from devices instead of tripping individual control lines. Removing the individual control lines reduces pin count. Accepting messages ensures future expandability. With the system management bus, a device can provide manufacturer information, tell the system what its model/part number is, save its state for a suspend event, report different types of errors, accept control parameters, and return its status.

36.4.4.1 Timeouts

The $T_{\text{TIMEOUT,MIN}}$ parameter allows a master or slave to conclude that a defective device is holding the clock low indefinitely or a master is intentionally trying to drive devices off the bus. The slave device must release the bus (stop driving the bus and let SCL and

SDA float high) when it detects any single clock held low longer than $T_{\text{TIMEOUT,MIN}}$. Devices that have detected this condition must reset their communication and be able to receive a new START condition within the timeframe of $T_{\text{TIMEOUT,MAX}}$.

SMBus defines a clock low timeout, T_{TIMEOUT} , of 35 ms, specifies $T_{\text{LOW:SEXT}}$ as the cumulative clock low extend time for a slave device, and specifies $T_{\text{LOW:MEXT}}$ as the cumulative clock low extend time for a master device.

36.4.4.1.1 SCL low timeout

If the SCL line is held low by a slave device on the bus, no further communication is possible. Furthermore, the master cannot force the SCL line high to correct the error condition. To solve this problem, the SMBus protocol specifies that devices participating in a transfer must detect any clock cycle held low longer than a timeout value condition. Devices that have detected the timeout condition must reset the communication. When the I2C module is an active master, if it detects that SMBCLK low has exceeded the value of $T_{\text{TIMEOUT,MIN}}$, it must generate a stop condition within or after the current data byte in the transfer process. When the I2C module is a slave, if it detects the $T_{\text{TIMEOUT,MIN}}$ condition, it resets its communication and is then able to receive a new START condition.

36.4.4.1.2 SCL high timeout

When the I2C module has determined that the SMBCLK and SMBDAT signals have been high for at least $T_{\text{HIGH:MAX}}$, it assumes that the bus is idle.

A HIGH timeout occurs after a START condition appears on the bus but before a STOP condition appears on the bus. Any master detecting this scenario can assume the bus is free when either of the following occurs:

- SHTF1 rises.
- The BUSY bit is high and SHTF1 is high.

When the SMBDAT signal is low and the SMBCLK signal is high for a period of time, another kind of timeout occurs. The time period must be defined in software. SHTF2 is used as the flag when the time limit is reached. This flag is also an interrupt resource, so it triggers IICIF.

36.4.4.1.3 CSMBCLK TIMEOUT MEXT and CSMBCLK TIMEOUT SEXT

The following figure illustrates the definition of the timeout intervals $T_{\text{LOW:SEXT}}$ and $T_{\text{LOW:MEXT}}$. When in master mode, the I2C module must not cumulatively extend its clock cycles for a period greater than $T_{\text{LOW:MEXT}}$ within a byte, where each byte is defined as START-to-ACK, ACK-to-ACK, or ACK-to-STOP. When CSMBCLK TIMEOUT MEXT occurs, SMBus MEXT rises and also triggers the SLTF. When CSMBCLK TIMEOUT SEXT occurs, SMBus SEXT rises and also triggers the SLTF.

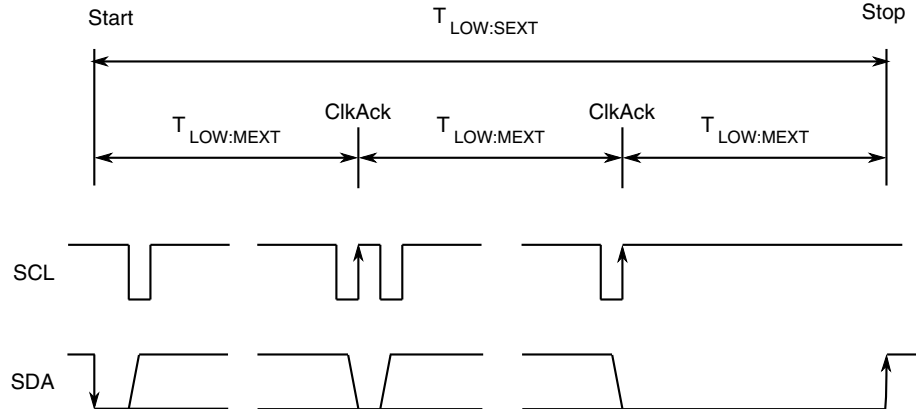


Figure 36-40. Timeout measurement intervals

A master is allowed to abort the transaction in progress to any slave that violates the $T_{\text{LOW:SEXT}}$ or $T_{\text{TIMEOUT,MIN}}$ specifications. To abort the transaction, the master issues a STOP condition at the conclusion of the byte transfer in progress. When a slave, the I2C module must not cumulatively extend its clock cycles for a period greater than $T_{\text{LOW:SEXT}}$ during any message from the initial START to the STOP. When CSMBCLK TIMEOUT SEXT occurs, SEXT rises and also triggers SLTF.

NOTE

CSMBCLK TIMEOUT SEXT and CSMBCLK TIMEOUT MEXT are optional functions that are implemented in the second step.

36.4.4.2 FAST ACK and NACK

To improve reliability and communication robustness, implementation of packet error checking (PEC) by SMBus devices is optional for SMBus devices but required for devices participating in and only during the address resolution protocol (ARP) process. The PEC is a CRC-8 error checking byte, calculated on all the message bytes. The PEC is appended to the message by the device that supplied the last data byte. If the PEC is present but not correct, a NACK is issued by the receiver. Otherwise an ACK is issued. To calculate the CRC-8 by software, this module can hold the SCL line low after

receiving the eighth SCL (8th bit) if this byte is a data byte. So software can determine whether an ACK or NACK should be sent to the bus by setting or clearing the TXAK bit if the FACK (fast ACK/NACK enable) bit is enabled.

SMBus requires a device always to acknowledge its own address, as a mechanism to detect the presence of a removable device (such as a battery or docking station) on the bus. In addition to indicating a slave device busy condition, SMBus uses the NACK mechanism to indicate the reception of an invalid command or invalid data. Because such a condition may occur on the last byte of the transfer, SMBus devices are required to have the ability to generate the not acknowledge after the transfer of each byte and before the completion of the transaction. This requirement is important because SMBus does not provide any other resend signaling. This difference in the use of the NACK signaling has implications on the specific implementation of the SMBus port, especially in devices that handle critical system data such as the SMBus host and the SBS components.

NOTE

In the last byte of master receive slave transmit mode, the master must send a NACK to the bus, so FACK must be switched off before the last byte transmits.

36.4.5 Resets

The I2C module is disabled after a reset. The I2C module cannot cause a core reset.

36.4.6 Interrupts

The I2C module generates an interrupt when any of the events in the following table occur, provided that the IICIE bit is set. The interrupt is driven by the IICIF bit (of the I2C Status Register) and masked with the IICIE bit (of the I2C Control Register 1). The IICIF bit must be cleared (by software) by writing 1 to it in the interrupt routine. The SMBus timeouts interrupt is driven by SLTF and masked with the IICIE bit. The SLTF bit must be cleared by software by writing 1 to it in the interrupt routine. You can determine the interrupt type by reading the Status Register.

NOTE

In master receive mode, the FACK bit must be set to zero before the last byte transfer.

Table 36-44. Interrupt summary

Interrupt source	Status	Flag	Local enable
Complete 1-byte transfer	TCF	IICIF	IICIE
Match of received calling address	IAAS	IICIF	IICIE
Arbitration lost	ARBL	IICIF	IICIE
I ² C bus stop detection	STOPF	IICIF	IICIE & STOPIE
SMBus SCL low timeout	SLTF	IICIF	IICIE
SMBus SCL high SDA low timeout	SHTF2	IICIF	IICIE & SHTF2IE
Wakeup from stop or wait mode	IAAS	IICIF	IICIE & WUEN

36.4.6.1 Byte transfer interrupt

The Transfer Complete Flag (TCF) bit is set at the falling edge of the ninth clock to indicate the completion of a byte and acknowledgement transfer. When FACK is enabled, TCF is then set at the falling edge of eighth clock to indicate the completion of byte.

36.4.6.2 Address detect interrupt

When the calling address matches the programmed slave address (I2C Address Register) or when the GCAEN bit is set and a general call is received, the IAAS bit in the Status Register is set. The CPU is interrupted, provided the IICIE bit is set. The CPU must check the SRW bit and set its Tx mode accordingly.

36.4.6.3 Stop Detect Interrupt

When the stop status is detected on the I²C bus, the STOPF bit is set to 1. The CPU is interrupted, provided the IICIE and STOPIE bits are both set to 1.

36.4.6.4 Exit from low-power/stop modes

The slave receive input detect circuit and address matching feature are still active on low power modes (wait and stop). An asynchronous input matching slave address or general call address brings the CPU out of low power/stop mode if the interrupt is not masked. Therefore, TCF and IAAS both can trigger this interrupt.

36.4.6.5 Arbitration lost interrupt

The I2C is a true multimaster bus that allows more than one master to be connected on it. If two or more masters try to control the bus at the same time, the relative priority of the contending masters is determined by a data arbitration procedure. The I2C module asserts the arbitration-lost interrupt when it loses the data arbitration process and the ARBL bit in the Status Register is set.

Arbitration is lost in the following circumstances:

1. SDA is sampled as low when the master drives high during an address or data transmit cycle.
2. SDA is sampled as low when the master drives high during the acknowledge bit of a data receive cycle.
3. A START cycle is attempted when the bus is busy.
4. A repeated START cycle is requested in slave mode.
5. A STOP condition is detected when the master did not request it.

The ARBL bit must be cleared (by software) by writing 1 to it.

36.4.6.6 Timeout interrupt in SMBus

When the IICIE bit is set, the I2C module asserts a timeout interrupt (outputs SLTF and SHTF2) upon detection of any of the mentioned timeout conditions, with one exception. The SCL high and SDA high TIMEOUT mechanism must not be used to influence the timeout interrupt output, because this timeout indicates an idle condition on the bus. SHTF1 rises when it matches the SCL high and SDA high TIMEOUT and falls automatically just to indicate the bus status. The SHTF2's timeout period is the same as that of SHTF1, which is short compared to that of SLTF, so another control bit, SHTF2IE, is added to enable or disable it.

36.4.7 Programmable input glitch filter

An I2C glitch filter has been added outside legacy I2C modules but within the I2C package. This filter can absorb glitches on the I2C clock and data lines for the I2C module. The width of the glitch to absorb can be specified in terms of the number of (half) bus clock cycles. A single Programmable Input Glitch Filter control register is provided. Effectively, any down-up-down or up-down-up transition on the data line that

occurs within the number of clock cycles programmed in this register is ignored by the I2C module. The programmer must specify the size of the glitch (in terms of bus clock cycles) for the filter to absorb and not pass.

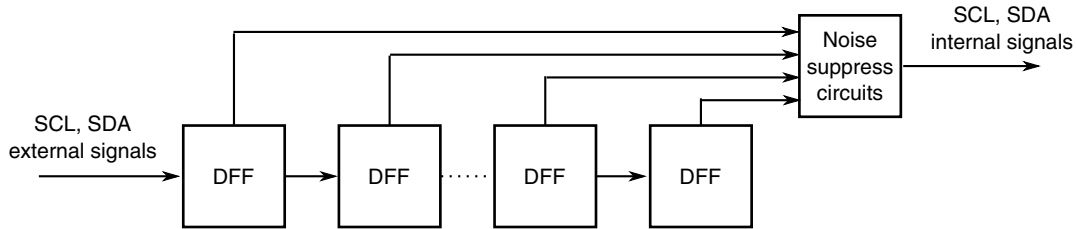


Figure 36-41. Programmable input glitch filter diagram

36.4.8 Address matching wakeup

When a primary, range, or general call address match occurs when the I2C module is in slave receive mode, the MCU wakes from a low power mode where no peripheral bus is running. Data sent on the bus that is the same as a target device address might also wake the target MCU.

After the address matching IAAS bit is set, an interrupt is sent at the end of address matching to wake the core. The IAAS bit must be cleared after the clock recovery.

NOTE

After the system recovers and is in Run mode, restart the I2C module if it is needed to transfer packets. The SCL line is not held low until the I2C module resets after address matching. The main purpose of this feature is to wake the MCU from a low power mode where no peripheral bus is running. When the MCU is in such a mode: addressing as a slave, slave read/write, and sending an acknowledge bit are not fully supported. To avoid I2C transfer problems resulting from this situation, firmware should prevent the MCU execution of a STOP instruction when the I2C module is in the middle of a transfer unless the Stop mode holdoff feature is used during this period (set FLT[SHEN] to 1).

36.4.9 DMA support

If the DMAEN bit is cleared and the IICIE bit is set, an interrupt condition generates an interrupt request. If the DMAEN bit is set and the IICIE bit is set, an interrupt condition generates a DMA request instead. DMA requests are generated by the transfer complete flag (TCF).

If the DMAEN bit is set, the only arbitration lost is to another I2C module (error), and SCL low timeouts (error) generate CPU interrupts. All other events initiate a DMA transfer.

NOTE

Before the last byte of master receive mode, TXAK must be set to send a NACK after the last byte's transfer. Therefore, the DMA must be disabled before the last byte's transfer.

NOTE

In 10-bit address mode transmission, the addresses to send occupy 2-3 bytes. During this transfer period, the DMA must be disabled because the C1 register is written to send a repeat start or to change the transfer direction.

36.5 Initialization/application information

Module Initialization (Slave)

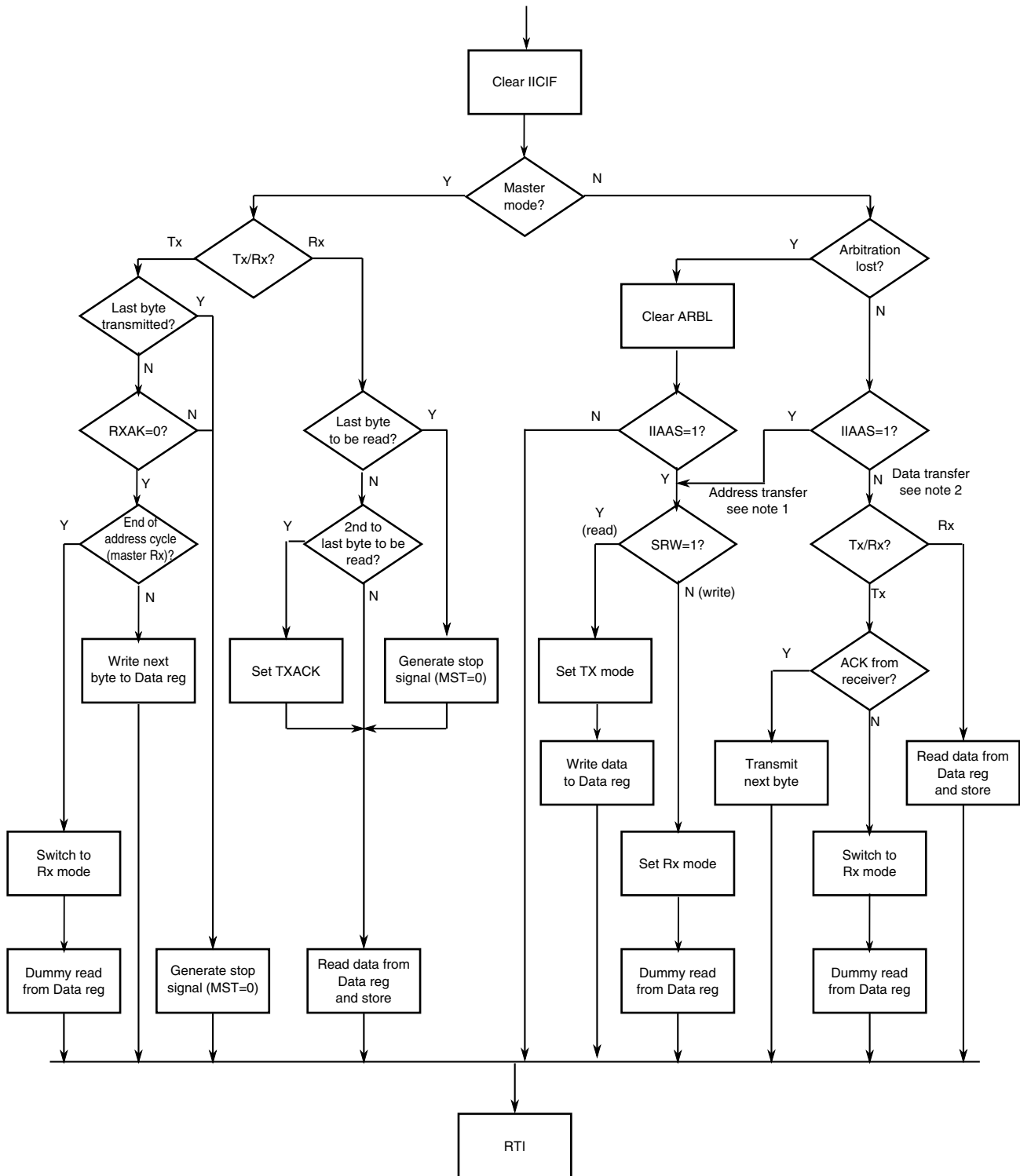
1. Write: Control Register 2
 - to enable or disable general call
 - to select 10-bit or 7-bit addressing mode
2. Write: Address Register 1 to set the slave address
3. Write: Control Register 1 to enable the I2C module and interrupts
4. Initialize RAM variables (IICEN = 1 and IICIE = 1) for transmit data
5. Initialize RAM variables used to achieve the routine shown in the following figure

Module Initialization (Master)

1. Write: Frequency Divider register to set the I2C baud rate (see example in description of [ICR](#))
2. Write: Control Register 1 to enable the I2C module and interrupts
3. Initialize RAM variables (IICEN = 1 and IICIE = 1) for transmit data
4. Initialize RAM variables used to achieve the routine shown in the following figure
5. Write: Control Register 1 to enable TX

6. Write: Control Register 1 to enable MST (master mode)
7. Write: Data register with the address of the target slave (the LSB of this byte determines whether the communication is master receive or transmit)

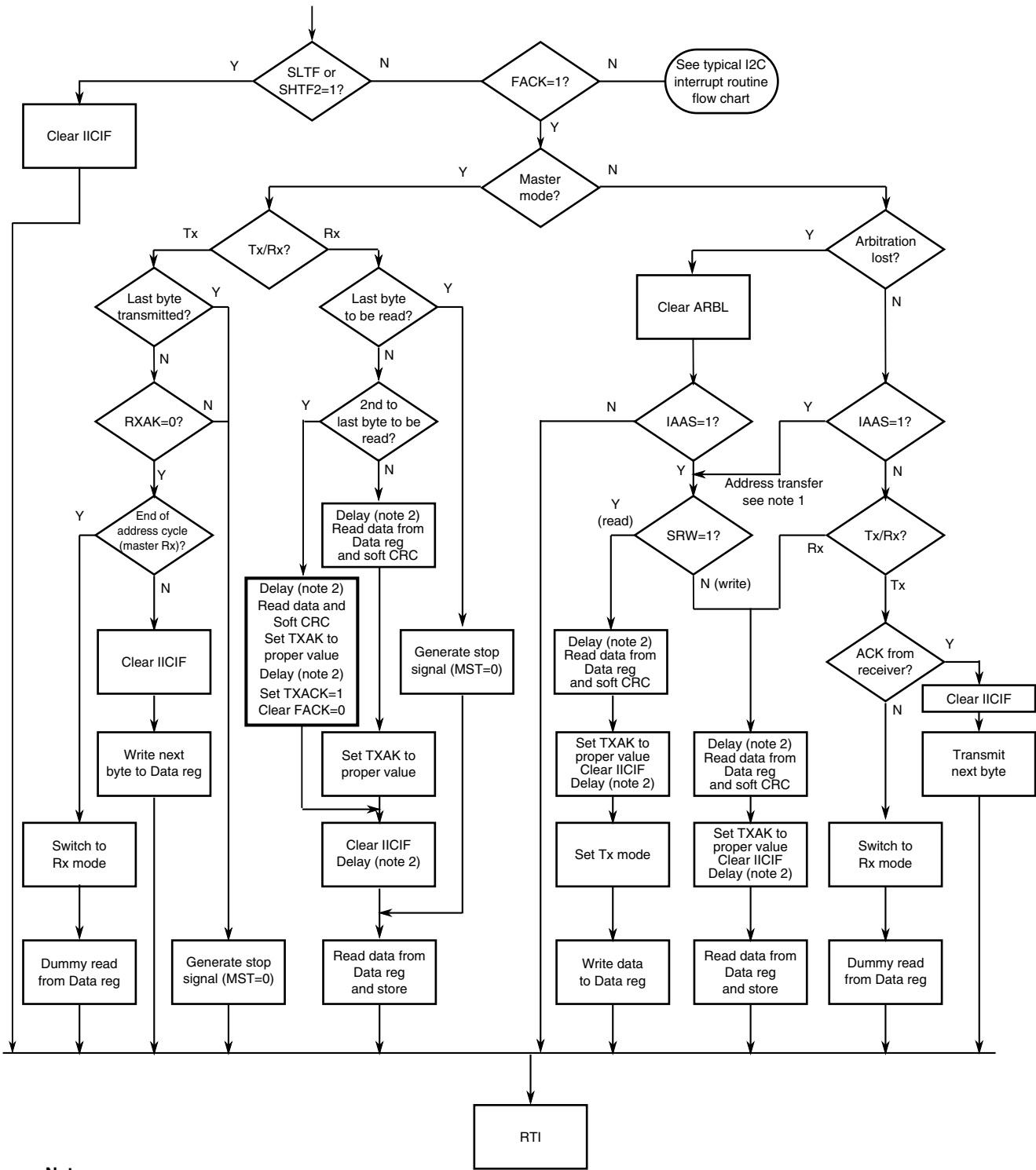
The routine shown in the following figure encompasses both master and slave I2C operations. For slave operation, an incoming I2C message that contains the proper address begins I2C communication. For master operation, communication must be initiated by writing the Data register.



Notes:

1. If general call is enabled, check to determine if the received address is a general call address (0x00). If the received address is a general call address, the general call must be handled by user software.
2. When 10-bit addressing addresses a slave, the slave sees an interrupt following the first byte of the extended address. Ensure that for this interrupt, the contents of the Data register are ignored and not treated as a valid data transfer.

Figure 36-42. Typical I2C interrupt routine



Notes:

1. If general call or SIICAEN is enabled, check to determine if the received address is a general call address (0x00) or an SMBus device default address. In either case, they must be handled by user software.
2. In receive mode, one bit time delay may be needed before the first and second data reading.

Figure 36-43. Typical I2C SMBus interrupt routine

Chapter 37

Universal Asynchronous Receiver/Transmitter (UART0)

37.1 Introduction

37.1.1 Features

Features of the UART module include:

- Full-duplex, standard non-return-to-zero (NRZ) format
- Double-buffered transmitter and receiver with separate enables
- Programmable baud rates (13-bit modulo divider)
- Transmit and receive baud rate can operate asynchronous to the bus clock:
 - Baud rate can be configured independently of the bus clock frequency
 - Supports operation in Stop modes
- Configurable receiver baud rate oversampling ratio from 4x to 32x
- Interrupt, DMA or polled operation:
 - Transmit data register empty and transmission complete
 - Receive data register full
 - Receive overrun, parity error, framing error, and noise error
 - Idle receiver detect
 - Active edge on receive pin
 - Break detect supporting LIN
- Hardware parity generation and checking
- Programmable 8-bit, 9-bit or 10-bit character length
- Programmable 1-bit or 2-bit stop bits
- Receiver wakeup by idle-line, address-mark or address match
- Optional 13-bit break character generation / 11-bit break character detection
- Selectable transmitter output and receiver input polarity

37.1.2 Modes of operation

37.1.2.1 Stop mode

The UART will remain functional during Stop mode, provided the asynchronous transmit and receive clock remains enabled. The UART can generate an interrupt or DMA request to cause a wakeup from Stop mode.

37.1.2.2 Wait mode

The UART can be configured to Stop in Wait modes, when the DOZEEN bit is set. The transmitter and receiver will finish transmitting/receiving the current word.

37.1.2.3 Debug mode

The UART remains functional in debug mode.

37.1.3 Block diagram

The following figure shows the transmitter portion of the UART.

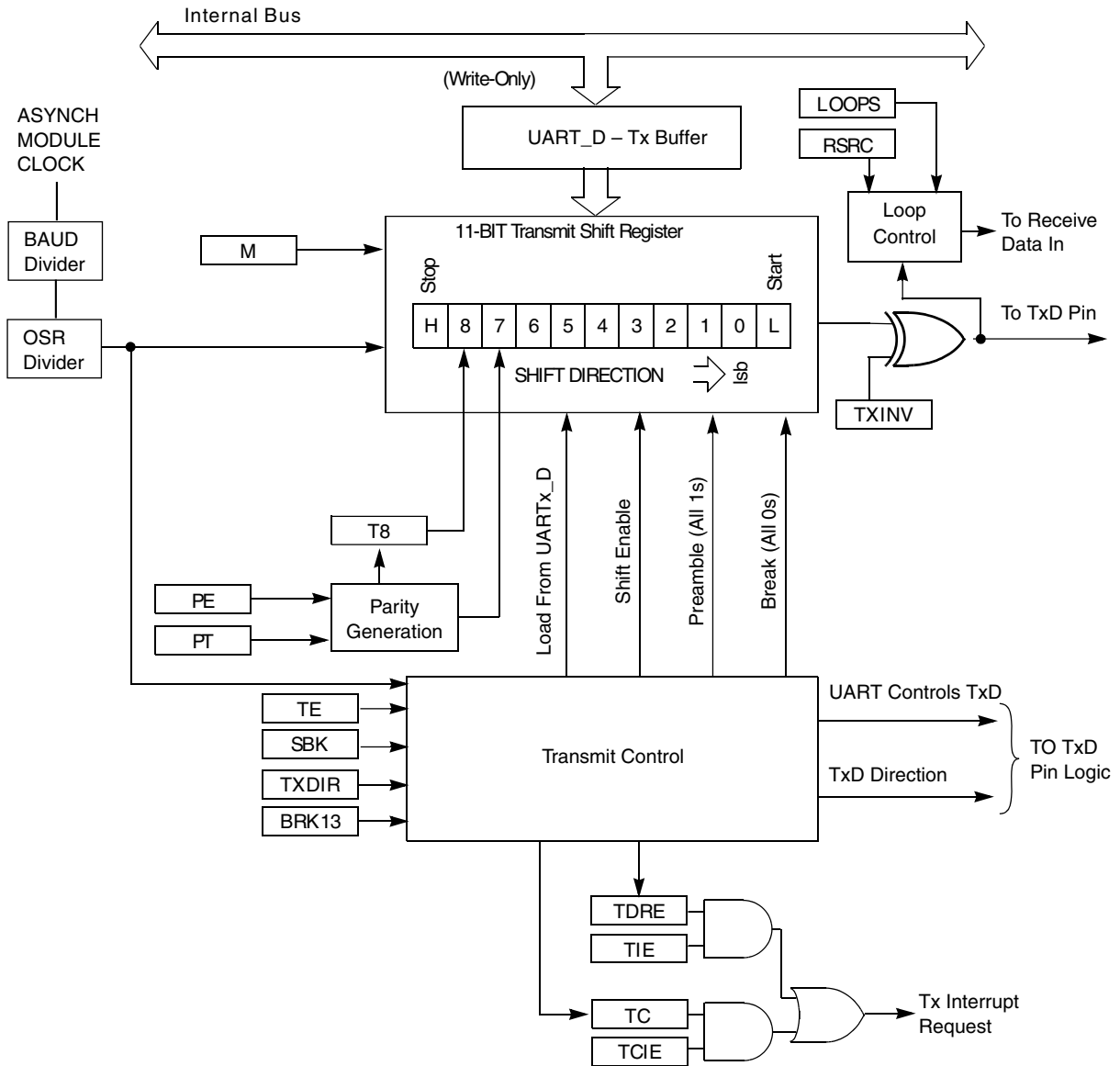


Figure 37-1. UART transmitter block diagram

The following figure shows the receiver portion of the UART.

Register definition

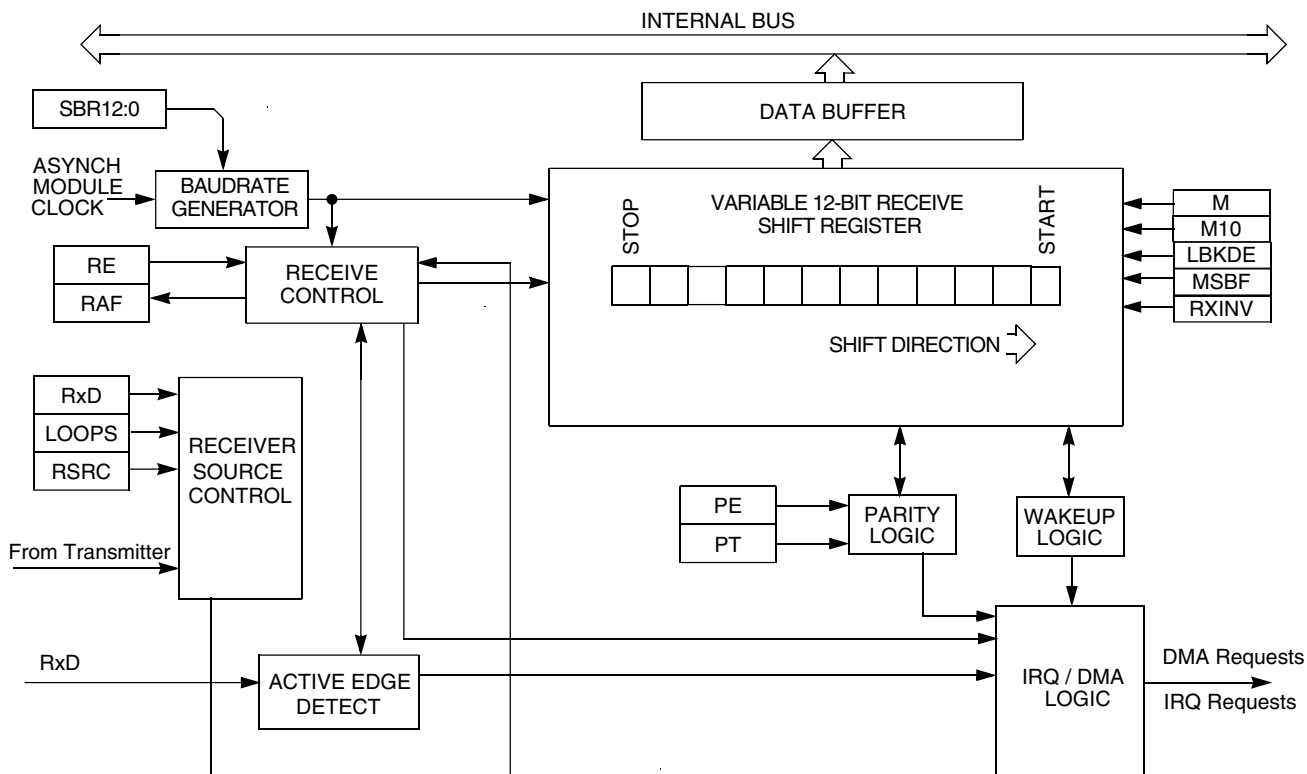


Figure 37-2. UART receiver block diagram

37.2 Register definition

The UART includes registers to control baud rate, select UART options, report UART status, and for transmit/receive data. Accesses to address outside the valid memory map will generate a bus error.

UART memory map

Absolute address (hex)	Register name	Width (in bits)	Access	Reset value	Section/page
4006_A000	UART Baud Rate Register High (UART0_BDH)	8	R/W	00h	37.2.1/695
4006_A001	UART Baud Rate Register Low (UART0_BDL)	8	R/W	04h	37.2.2/696
4006_A002	UART Control Register 1 (UART0_C1)	8	R/W	00h	37.2.3/696
4006_A003	UART Control Register 2 (UART0_C2)	8	R/W	00h	37.2.4/698
4006_A004	UART Status Register 1 (UART0_S1)	8	R/W	C0h	37.2.5/699
4006_A005	UART Status Register 2 (UART0_S2)	8	R/W	00h	37.2.6/701
4006_A006	UART Control Register 3 (UART0_C3)	8	R/W	00h	37.2.7/703
4006_A007	UART Data Register (UART0_D)	8	R/W	00h	37.2.8/704
4006_A008	UART Match Address Registers 1 (UART0_MA1)	8	R/W	00h	37.2.9/705

Table continues on the next page...

UART memory map (continued)

Absolute address (hex)	Register name	Width (in bits)	Access	Reset value	Section/page
4006_A009	UART Match Address Registers 2 (UART0_MA2)	8	R/W	00h	37.2.10/706
4006_A00A	UART Control Register 4 (UART0_C4)	8	R/W	0Fh	37.2.11/706
4006_A00B	UART Control Register 5 (UART0_C5)	8	R/W	00h	37.2.12/707

37.2.1 UART Baud Rate Register High (UARTx_BDH)

This register, along with UART_BDL, controls the prescale divisor for UART baud rate generation. The 13-bit baud rate setting [SBR12:SBR0] should only be updated when the transmitter and receiver are both disabled.

Address: Base address + 0h offset

Bit	7	6	5	4	3	2	1	0
Read	LBKDIE	RXEDGIE	SBNS	SBR				
Write								
Reset	0	0	0	0	0	0	0	0

UARTx_BDH field descriptions

Field	Description
7 LBKDIE	LIN Break Detect Interrupt Enable (for LBKDIF) 0 Hardware interrupts from UART_S2[LBKDIF] disabled (use polling). 1 Hardware interrupt requested when UART_S2[LBKDIF] flag is 1.
6 RXEDGIE	RX Input Active Edge Interrupt Enable (for RXEDGIF) 0 Hardware interrupts from UART_S2[RXEDGIF] disabled (use polling). 1 Hardware interrupt requested when UART_S2[RXEDGIF] flag is 1.
5 SBNS	Stop Bit Number Select SBNS determines whether data characters are one or two stop bits. This bit should only be changed when the transmitter and receiver are both disabled. 0 One stop bit. 1 Two stop bit.
4–0 SBR	Baud Rate Modulo Divisor. The 13 bits in SBR[12:0] are referred to collectively as BR, and they set the modulo divide rate for the baud rate generator. When BR is 1 - 8191, the baud rate equals baud clock / ((OSR+1) × BR).

37.2.2 UART Baud Rate Register Low (UARTx_BDL)

This register, along with UART_BDH, control the prescale divisor for UART baud rate generation. The 13-bit baud rate setting [SBR12:SBR0] can only be updated when the transmitter and receiver are both disabled.

UART_BDL is reset to a non-zero value, so after reset the baud rate generator remains disabled until the first time the receiver or transmitter is enabled; that is, UART_C2[RE] or UART_C2[TE] bits are written to 1.

Address: Base address + 1h offset

Bit	7	6	5	4	3	2	1	0
Read	SBR							
Write	SBR							
Reset	0	0	0	0	0	1	0	0

UARTx_BDL field descriptions

Field	Description
7-0 SBR	Baud Rate Modulo Divisor These 13 bits in SBR[12:0] are referred to collectively as BR. They set the modulo divide rate for the baud rate generator. When BR is 1 - 8191, the baud rate equals baud clock/((OSR+1) × BR).

37.2.3 UART Control Register 1 (UARTx_C1)

This read/write register controls various optional features of the UART system. This register should only be altered when the transmitter and receiver are both disabled.

Address: Base address + 2h offset

Bit	7	6	5	4	3	2	1	0
Read	LOOPS	DOZEEN	RSRC	M	WAKE	ILT	PE	PT
Write	LOOPS	DOZEEN	RSRC	M	WAKE	ILT	PE	PT
Reset	0	0	0	0	0	0	0	0

UARTx_C1 field descriptions

Field	Description
7 LOOPS	Loop Mode Select Selects between loop back modes and normal 2-pin full-duplex modes. When LOOPS is set, the transmitter output is internally connected to the receiver input.

Table continues on the next page...

UARTx_C1 field descriptions (continued)

Field	Description
	0 Normal operation - UART_RX and UART_TX use separate pins. 1 Loop mode or single-wire mode where transmitter outputs are internally connected to receiver input. (See RSRC bit.) UART_RX pin is not used by UART.
6 DOZEEN	Doze Enable 0 UART is enabled in Wait mode. 1 UART is disabled in Wait mode.
5 RSRC	Receiver Source Select This bit has no meaning or effect unless the LOOPS bit is set to 1. When LOOPS is set, the receiver input is internally connected to the UART_TX pin and RSRC determines whether this connection is also connected to the transmitter output. 0 Provided LOOPS is set, RSRC is cleared, selects internal loop back mode and the UART does not use the UART_RX pins. 1 Single-wire UART mode where the UART_TX pin is connected to the transmitter output and receiver input.
4 M	9-Bit or 8-Bit Mode Select 0 Receiver and transmitter use 8-bit data characters. 1 Receiver and transmitter use 9-bit data characters.
3 WAKE	Receiver Wakeup Method Select 0 Idle-line wakeup. 1 Address-mark wakeup.
2 ILT	Idle Line Type Select Setting this bit to 1 ensures that the stop bits and logic 1 bits at the end of a character do not count toward the 10 to 13 bit times of logic high level needed by the idle line detection logic. 0 Idle character bit count starts after start bit. 1 Idle character bit count starts after stop bit.
1 PE	Parity Enable Enables hardware parity generation and checking. When parity is enabled, the bit immediately before the stop bit is treated as the parity bit. 0 No hardware parity generation or checking. 1 Parity enabled.
0 PT	Parity Type Provided parity is enabled (PE = 1), this bit selects even or odd parity. Odd parity means the total number of 1s in the data character, including the parity bit, is odd. Even parity means the total number of 1s in the data character, including the parity bit, is even. 0 Even parity. 1 Odd parity.

37.2.4 UART Control Register 2 (UARTx_C2)

This register can be read or written at any time.

Address: Base address + 3h offset

Bit	7	6	5	4	3	2	1	0
Read	TIE	TCIE	RIE	ILIE	TE	RE	RWU	SBK
Write								
Reset	0	0	0	0	0	0	0	0

UARTx_C2 field descriptions

Field	Description
7 TIE	Transmit Interrupt Enable for TDRE 0 Hardware interrupts from TDRE disabled; use polling. 1 Hardware interrupt requested when TDRE flag is 1.
6 TCIE	Transmission Complete Interrupt Enable for TC 0 Hardware interrupts from TC disabled; use polling. 1 Hardware interrupt requested when TC flag is 1.
5 RIE	Receiver Interrupt Enable for RDRF 0 Hardware interrupts from RDRF disabled; use polling. 1 Hardware interrupt requested when RDRF flag is 1.
4 ILIE	Idle Line Interrupt Enable for IDLE 0 Hardware interrupts from IDLE disabled; use polling. 1 Hardware interrupt requested when IDLE flag is 1.
3 TE	Transmitter Enable TE must be 1 to use the UART transmitter. When TE is set, the UART forces the UART_TX pin to act as an output for the UART system. When the UART is configured for single-wire operation (LOOPS = RSRC = 1), TXDIR controls the direction of traffic on the single UART communication line (UART_TX pin). TE can also queue an idle character by clearing TE then setting TE while a transmission is in progress. When TE is written to 0, the transmitter keeps control of the port UART_TX pin until any data, queued idle, or queued break character finishes transmitting before allowing the pin to tristate. 0 Transmitter disabled. 1 Transmitter enabled.
2 RE	Receiver Enable When the UART receiver is off or LOOPS is set, the UART_RX pin is not used by the UART . When RE is written to 0, the receiver finishes receiving the current character (if any). 0 Receiver disabled. 1 Receiver enabled.
1 RWU	Receiver Wakeup Control

Table continues on the next page...

UARTx_C2 field descriptions (continued)

Field	Description
	<p>This bit can be written to 1 to place the UART receiver in a standby state where it waits for automatic hardware detection of a selected wakeup condition. The wakeup condition is an idle line between messages, WAKE = 0, idle-line wakeup, or a logic 1 in the most significant data bit in a character, WAKE = 1, address-mark wakeup. Application software sets RWU and, normally, a selected hardware condition automatically clears RWU.</p> <p>0 Normal UART receiver operation. 1 UART receiver in standby waiting for wakeup condition.</p>
0 SBK	<p>Send Break</p> <p>Writing a 1 and then a 0 to SBK queues a break character in the transmit data stream. Additional break characters of 10 to 13, or 13 to 16 if BRK13 = 1, bit times of logic 0 are queued as long as SBK is set. Depending on the timing of the set and clear of SBK relative to the information currently being transmitted, a second break character may be queued before software clears SBK.</p> <p>0 Normal transmitter operation. 1 Queue break character(s) to be sent.</p>

37.2.5 UART Status Register 1 (UARTx_S1)

Address: Base address + 4h offset

Bit	7	6	5	4	3	2	1	0
Read	TDRE	TC	RDRF	IDLE	OR	NF	FE	PF
Write				w1c	w1c	w1c	w1c	w1c
Reset	1	1	0	0	0	0	0	0

UARTx_S1 field descriptions

Field	Description
7 TDRE	<p>Transmit Data Register Empty Flag</p> <p>TDRE is set out of reset and whenever there is room to write data to the transmit data buffer. To clear TDRE, write to the UART data register (UART_D).</p> <p>0 Transmit data buffer full. 1 Transmit data buffer empty.</p>
6 TC	<p>Transmission Complete Flag</p> <p>TC is set out of reset and when TDRE is set and no data, preamble, or break character is being transmitted.</p> <p>TC is cleared automatically by one of the following:</p> <ul style="list-style-type: none"> • Write to the UART data register (UART_D) to transmit new data • Queue a preamble by changing TE from 0 to 1 • Queue a break character by writing 1 to UART_C2[SBK] <p>0 Transmitter active (sending data, a preamble, or a break). 1 Transmitter idle (transmission activity complete).</p>

Table continues on the next page...

UARTx_S1 field descriptions (continued)

Field	Description
5 RDRF	<p>Receive Data Register Full Flag</p> <p>RDRF becomes set whenever the receive data buffer is full. To clear RDRF, read the UART data register (UART_D).</p> <p>0 Receive data buffer empty. 1 Receive data buffer full.</p>
4 IDLE	<p>Idle Line Flag</p> <p>IDLE is set when the UART receive line becomes idle for a full character time after a period of activity. When ILT is cleared, the receiver starts counting idle bit times after the start bit. If the receive character is all 1s, these bit times and the stop bits time count toward the full character time of logic high, 10 to 13 bit times, needed for the receiver to detect an idle line. When ILT is set, the receiver doesn't start counting idle bit times until after the stop bits. The stop bits and any logic high bit times at the end of the previous character do not count toward the full character time of logic high needed for the receiver to detect an idle line.</p> <p>To clear IDLE, write logic 1 to the IDLE flag. After IDLE has been cleared, it cannot become set again until after a new character has been received and RDRF has been set. IDLE is set only once even if the receive line remains idle for an extended period.</p> <p>0 No idle line detected. 1 Idle line was detected.</p>
3 OR	<p>Receiver Overrun Flag</p> <p>OR is set when a new serial character is ready to be transferred to the receive data buffer, but the previously received character has not been read from UART_D yet. In this case, the new character, and all associated error information, is lost because there is no room to move it into UART_D. To clear OR, write a logic 1 to the OR flag.</p> <p>0 No overrun. 1 Receive overrun (new UART data lost).</p>
2 NF	<p>Noise Flag</p> <p>The advanced sampling technique used in the receiver takes three samples in each of the received bits. If any of these samples disagrees with the rest of the samples within any bit time in the frame, the flag NF is set at the same time as RDRF is set for the character. To clear NF, write logic one to the NF.</p> <p>0 No noise detected. 1 Noise detected in the received character in UART_D.</p>
1 FE	<p>Framing Error Flag</p> <p>FE is set at the same time as RDRF when the receiver detects a logic 0 where a stop bit was expected. This suggests the receiver was not properly aligned to a character frame. To clear FE, write a logic one to the FE flag.</p> <p>0 No framing error detected. This does not guarantee the framing is correct. 1 Framing error.</p>
0 PF	<p>Parity Error Flag</p> <p>PF is set at the same time as RDRF when parity is enabled (PE = 1) and the parity bit in the received character does not agree with the expected parity value. To clear PF, write a logic one to the PF.</p>

Table continues on the next page...

UARTx_S1 field descriptions (continued)

Field	Description
0	No parity error.
1	Parity error.

37.2.6 UART Status Register 2 (UARTx_S2)

This register contains one read-only status flag.

When using an internal oscillator in a LIN system, it is necessary to raise the break detection threshold one bit time. Under the worst case timing conditions allowed in LIN, it is possible that a 0x00 data character can appear to be 10.26 bit times long at a slave running 14% faster than the master. This would trigger normal break detection circuitry designed to detect a 10-bit break symbol. When the LBKDE bit is set, framing errors are inhibited and the break detection threshold increases, preventing false detection of a 0x00 data character as a LIN break symbol.

Address: Base address + 5h offset

Bit	7	6	5	4	3	2	1	0
Read	LBKDIF	RXEDGIF	MSBF	RXINV	RWUID	BRK13	LBKDE	RAF
Write								
Reset	0	0	0	0	0	0	0	0

UARTx_S2 field descriptions

Field	Description
7 LBKDIF	<p>LIN Break Detect Interrupt Flag</p> <p>LBKDIF is set when the LIN break detect circuitry is enabled and a LIN break character is detected. LBKDIF is cleared by writing a 1 to it.</p> <p>0 No LIN break character has been detected. 1 LIN break character has been detected.</p>
6 RXEDGIF	<p>UART_RX Pin Active Edge Interrupt Flag</p> <p>RXEDGIF is set when an active edge, falling if RXINV = 0, rising if RXINV=1, on the UART_RX pin occurs. RXEDGIF is cleared by writing a 1 to it.</p> <p>0 No active edge on the receive pin has occurred. 1 An active edge on the receive pin has occurred.</p>
5 MSBF	<p>MSB First</p> <p>Setting this bit reverses the order of the bits that are transmitted and received on the wire. This bit does not affect the polarity of the bits, the location of the parity bit or the location of the start or stop bits. This bit should only be changed when the transmitter and receiver are both disabled.</p>

Table continues on the next page...

UARTx_S2 field descriptions (continued)

Field	Description
	<p>0 LSB (bit0) is the first bit that is transmitted following the start bit. Further, the first bit received after the start bit is identified as bit0.</p> <p>1 MSB (bit9, bit8, bit7 or bit6) is the first bit that is transmitted following the start bit depending on the setting of C1[M], C1[PE] and C4[M10]. Further, the first bit received after the start bit is identified as bit9, bit8, bit7 or bit6 depending on the setting of C1[M] and C1[PE].</p>
4 RXINV	<p>Receive Data Inversion</p> <p>Setting this bit reverses the polarity of the received data input.</p> <p>NOTE: Setting RXINV inverts the UART_RXD input for all cases: data bits, start and stop bits, break, and idle.</p> <p>0 Receive data not inverted.</p> <p>1 Receive data inverted.</p>
3 RWUID	<p>Receive Wake Up Idle Detect</p> <p>RWUID controls whether the idle character that wakes up the receiver sets the IDLE bit. This bit should only be changed when the receiver is disabled.</p> <p>0 During receive standby state (RWU = 1), the IDLE bit does not get set upon detection of an idle character.</p> <p>1 During receive standby state (RWU = 1), the IDLE bit gets set upon detection of an idle character.</p>
2 BRK13	<p>Break Character Generation Length</p> <p>BRK13 selects a longer transmitted break character length. Detection of a framing error is not affected by the state of this bit. This bit should only be changed when the transmitter is disabled.</p> <p>0 Break character is transmitted with length of 10 bit times (if M = 0, SBNS = 0) or 11 (if M = 1, SBNS = 0 or M = 0, SBNS = 1) or 12 (if M = 1, SBNS = 1 or M10 = 1, SNBS = 0) or 13 (if M10 = 1, SNBS = 1).</p> <p>1 Break character is transmitted with length of 13 bit times (if M = 0, SBNS = 0) or 14 (if M = 1, SBNS = 0 or M = 0, SBNS = 1) or 15 (if M = 1, SBNS = 1 or M10 = 1, SNBS = 0) or 16 (if M10 = 1, SNBS = 1).</p>
1 LBKDE	<p>LIN Break Detection Enable</p> <p>LBKDE selects a longer break character detection length. While LBKDE is set, framing error (FE) and receive data register full (RDRF) flags are prevented from setting.</p> <p>0 Break character is detected at length 10 bit times (if M = 0, SBNS = 0) or 11 (if M = 1, SBNS = 0 or M = 0, SBNS = 1) or 12 (if M = 1, SBNS = 1 or M10 = 1, SNBS = 0) or 13 (if M10 = 1, SNBS = 1).</p> <p>1 Break character is detected at length of 11 bit times (if M = 0, SBNS = 0) or 12 (if M = 1, SBNS = 0 or M = 0, SBNS = 1) or 14 (if M = 1, SBNS = 1 or M10 = 1, SNBS = 0) or 15 (if M10 = 1, SNBS = 1).</p>
0 RAF	<p>Receiver Active Flag</p> <p>RAF is set when the UART receiver detects the beginning of a valid start bit, and RAF is cleared automatically when the receiver detects an idle line.</p> <p>0 UART receiver idle waiting for a start bit.</p> <p>1 UART receiver active (UART_RXD input not idle).</p>

37.2.7 UART Control Register 3 (UARTx_C3)

Address: Base address + 6h offset

Bit	7	6	5	4	3	2	1	0
Read	R8T9	R9T8	TXDIR	TXINV	ORIE	NEIE	FEIE	PEIE
Write								
Reset	0	0	0	0	0	0	0	0

UARTx_C3 field descriptions

Field	Description
7 R8T9	<p>Receive Bit 8 / Transmit Bit 9</p> <p>When the UART is configured for 9-bit data ($M = 1$), R8 can be thought of as a ninth receive data bit to the left of the msb of the buffered data in the UART_D register. When reading 9-bit data, read R8 before reading UART_D because reading UART_D completes automatic flag clearing sequences that could allow R8 and UART_D to be overwritten with new data.</p> <p>When the UART is configured for 10-bit data ($M10 = 1$), T9 may be thought of as a tenth transmit data bit. When writing 10-bit data, the entire 10-bit value is transferred to the UART transmit buffer when UART_D is written so T9 and T8 should be written, if it needs to change from its previous value, before UART_D is written. If T9 and T8 do not need to change in the new value, such as when it is used to generate mark or space parity, they need not be written each time UART_D is written.</p>
6 R9T8	<p>Receive Bit 9 / Transmit Bit 8</p> <p>When the UART is configured for 9-bit data ($M = 1$), T8 may be thought of as a ninth transmit data bit to the left of the msb of the data in the UART_D register. When writing 9-bit data, the entire 9-bit value is transferred to the UART transmit buffer after UART_D is written so T8 should be written, if it needs to change from its previous value, before UART_D is written. If T8 does not need to change in the new value, such as when it is used to generate mark or space parity, it need not be written each time UART_D is written.</p> <p>When the UART is configured for 10-bit data ($M10 = 1$), R9 can be thought of as a tenth receive data bit. When reading 10-bit data, read R9 and R8 before reading UART_D because reading UART_D completes automatic flag clearing sequences that could allow R8, R9 and UART_D to be overwritten with new data.</p>
5 TXDIR	<p>UART_TX Pin Direction in Single-Wire Mode</p> <p>When the UART is configured for single-wire half-duplex operation ($LOOPS = RSRC = 1$), this bit determines the direction of data at the UART_TXD pin. When clearing TXDIR, the transmitter will finish receiving the current character (if any) before the receiver starts receiving data from the UART_TXD pin.</p> <p>0 UART_TXD pin is an input in single-wire mode. 1 UART_TXD pin is an output in single-wire mode.</p>
4 TXINV	<p>Transmit Data Inversion</p> <p>Setting this bit reverses the polarity of the transmitted data output.</p> <p>NOTE: Setting TXINV inverts the UART_TXD output for all cases: data bits, start and stop bits, break, and idle.</p> <p>0 Transmit data not inverted. 1 Transmit data inverted.</p>
3 ORIE	<p>Overrun Interrupt Enable</p> <p>This bit enables the overrun flag (OR) to generate hardware interrupt requests.</p>

Table continues on the next page...

UARTx_C3 field descriptions (continued)

Field	Description
	0 OR interrupts disabled; use polling. 1 Hardware interrupt requested when OR is set.
2 NEIE	Noise Error Interrupt Enable This bit enables the noise flag (NF) to generate hardware interrupt requests. 0 NF interrupts disabled; use polling. 1 Hardware interrupt requested when NF is set.
1 FEIE	Framing Error Interrupt Enable This bit enables the framing error flag (FE) to generate hardware interrupt requests. 0 FE interrupts disabled; use polling. 1 Hardware interrupt requested when FE is set.
0 PEIE	Parity Error Interrupt Enable This bit enables the parity error flag (PF) to generate hardware interrupt requests. 0 PF interrupts disabled; use polling). 1 Hardware interrupt requested when PF is set.

37.2.8 UART Data Register (UARTx_D)

This register is actually two separate registers. Reads return the contents of the read-only receive data buffer and writes go to the write-only transmit data buffer. Reads and writes of this register are also involved in the automatic flag clearing mechanisms for some of the UART status flags.

Address: Base address + 7h offset

Bit	7	6	5	4	3	2	1	0
Read	R7T7	R6T6	R5T5	R4T4	R3T3	R2T2	R1T1	R0T0
Write								
Reset	0	0	0	0	0	0	0	0

UARTx_D field descriptions

Field	Description
7 R7T7	Read receive data buffer 7 or write transmit data buffer 7.
6 R6T6	Read receive data buffer 6 or write transmit data buffer 6.
5 R5T5	Read receive data buffer 5 or write transmit data buffer 5.

Table continues on the next page...

UARTx_D field descriptions (continued)

Field	Description
4 R4T4	Read receive data buffer 4 or write transmit data buffer 4.
3 R3T3	Read receive data buffer 3 or write transmit data buffer 3.
2 R2T2	Read receive data buffer 2 or write transmit data buffer 2.
1 R1T1	Read receive data buffer 1 or write transmit data buffer 1.
0 R0T0	Read receive data buffer 0 or write transmit data buffer 0.

37.2.9 UART Match Address Registers 1 (UARTx_MA1)

The MA1 and MA2 registers are compared to input data addresses when the most significant bit is set and the associated C4[MAEN] bit is set. If a match occurs, the following data is transferred to the data register. If a match fails, the following data is discarded. Software should only write a MA register when the associated C4[MAEN] bit is clear.

Address: Base address + 8h offset

Bit	7	6	5	4	3	2	1	0
Read	MA							
Write								
Reset	0	0	0	0	0	0	0	0

UARTx_MA1 field descriptions

Field	Description
7–0 MA	Match Address

37.2.10 UART Match Address Registers 2 (UARTx_MA2)

The MA1 and MA2 registers are compared to input data addresses when the most significant bit is set and the associated C4[MAEN] bit is set. If a match occurs, the following data is transferred to the data register. If a match fails, the following data is discarded. Software should only write a MA register when the associated C4[MAEN] bit is clear.

Address: Base address + 9h offset

Bit	7	6	5	4	3	2	1	0
Read	MA							
Write								
Reset	0	0	0	0	0	0	0	0

UARTx_MA2 field descriptions

Field	Description
7-0 MA	Match Address

37.2.11 UART Control Register 4 (UARTx_C4)

Address: Base address + Ah offset

Bit	7	6	5	4	3	2	1	0
Read	MAEN1	MAEN2	M10	OSR				
Write								
Reset	0	0	0	0	1	1	1	1

UARTx_C4 field descriptions

Field	Description
7 MAEN1	<p>Match Address Mode Enable 1</p> <p>Refer to Match address operation for more information.</p> <p>0 All data received is transferred to the data buffer if MAEN2 is cleared.</p> <p>1 All data received with the most significant bit cleared, is discarded. All data received with the most significant bit set, is compared with contents of MA1 register. If no match occurs, the data is discarded. If match occurs, data is transferred to the data buffer.</p>
6 MAEN2	<p>Match Address Mode Enable 2</p> <p>Refer to Match address operation for more information.</p> <p>0 All data received is transferred to the data buffer if MAEN1 is cleared.</p> <p>1 All data received with the most significant bit cleared, is discarded. All data received with the most significant bit set, is compared with contents of MA2 register. If no match occurs, the data is discarded. If match occurs, data is transferred to the data buffer.</p>

Table continues on the next page...

UARTx_C4 field descriptions (continued)

Field	Description
5 M10	<p>10-bit Mode select</p> <p>The M10 bit causes a tenth bit to be part of the serial transmission. This bit should only be changed when the transmitter and receiver are both disabled.</p> <p>0 Receiver and transmitter use 8-bit or 9-bit data characters. 1 Receiver and transmitter use 10-bit data characters.</p>
4–0 OSR	<p>Over Sampling Ratio</p> <p>This field configures the oversampling ratio for the receiver between 4x (00011) and 32x (11111). Writing an invalid oversampling ratio will default to an oversampling ratio of 16 (01111). This field should only be changed when the transmitter and receiver are both disabled.</p>

37.2.12 UART Control Register 5 (UARTx_C5)

Address: Base address + Bh offset

Bit	7	6	5	4	3	2	1	0
Read	TDMAE	0	RDMAE		0		BOTHEDGE	RESYNCDI S
Write								
Reset	0	0	0	0	0	0	0	0

UARTx_C5 field descriptions

Field	Description
7 TDMAE	<p>Transmitter DMA Enable</p> <p>TDMAE configures the transmit data register empty flag, S1[TDRE], to generate a DMA request.</p> <p>0 DMA request disabled. 1 DMA request enabled.</p>
6 Reserved	<p>This field is reserved.</p> <p>This read-only field is reserved and always has the value 0.</p>
5 RDMAE	<p>Receiver Full DMA Enable</p> <p>RDMAE configures the receiver data register full flag, S1[RDRF], to generate a DMA request.</p> <p>0 DMA request disabled. 1 DMA request enabled.</p>
4–2 Reserved	<p>This field is reserved.</p> <p>This read-only field is reserved and always has the value 0.</p>
1 BOTHEDGE	<p>Both Edge Sampling</p> <p>Enables sampling of the received data on both edges of the baud rate clock, effectively doubling the number of times the receiver samples the input data for a given oversampling ratio. This bit must be set for oversampling ratios between x4 and x7 and is optional for higher oversampling ratios. This bit should only be changed when the receiver is disabled.</p>

Table continues on the next page...

UARTx_C5 field descriptions (continued)

Field	Description
	0 Receiver samples input data using the rising edge of the baud rate clock. 1 Receiver samples input data using the rising and falling edge of the baud rate clock.
0 RESYNCDIS	Resynchronization Disable When set, disables the resynchronization of the received data word when a data one followed by data zero transition is detected. This bit should only be changed when the receiver is disabled. 0 Resynchronization during received data word is supported 1 Resynchronization during received data word is disabled

37.3 Functional description

The UART supports full-duplex, asynchronous, NRZ serial communication and comprises a baud rate generator, transmitter, and receiver block. The transmitter and receiver operate independently, although they use the same baud rate generator. The following describes each of the blocks of the UART.

37.3.1 Baud rate generation

A 13-bit modulus counter in the baud rate generator derive the baud rate for both the receiver and the transmitter. The value from 1 to 8191 written to SBR[12:0] determines the baud clock divisor for the asynchronous UART baud clock. The SBR bits are in the UART baud rate registers, BDH and BDL. The baud rate clock drives the receiver, while the transmitter is driven by the baud rate clock divided by the over sampling ratio. Depending on the over sampling ratio, the receiver has an acquisition rate of 4 to 32 samples per bit time.

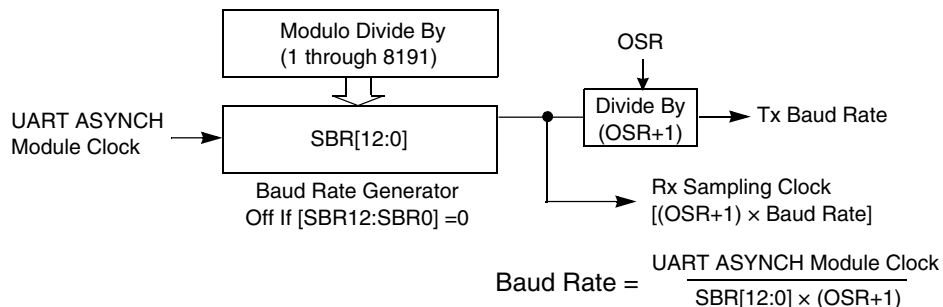


Figure 37-27. UART baud rate generation

Baud rate generation is subject to two sources of error:

- Integer division of the module clock may not give the exact target frequency.
- Synchronization with the asynchronous UART baud clock can cause phase shift.

37.3.2 Transmitter functional description

This section describes the overall block diagram for the UART transmitter, as well as specialized functions for sending break and idle characters.

The transmitter output (UART_TX) idle state defaults to logic high, C3[TXINV] is cleared following reset. The transmitter output is inverted by setting C3[TXINV]. The transmitter is enabled by setting the C2[TE] bit. This queues a preamble character that is one full character frame of the idle state. The transmitter then remains idle until data is available in the transmit data buffer. Programs store data into the transmit data buffer by writing to the UART data register.

The central element of the UART transmitter is the transmit shift register that is 10-bit to 13 bits long depending on the setting in the C1[M], C2[M10] and BDH[SBNS] control bits. For the remainder of this section, assume C1[M], C2[M10] and BDH[SBNS] are cleared, selecting the normal 8-bit data mode. In 8-bit data mode, the shift register holds a start bit, eight data bits, and a stop bit. When the transmit shift register is available for a new UART character, the value waiting in the transmit data register is transferred to the shift register, synchronized with the baud rate clock, and the transmit data register empty (S1[TDRE]) status flag is set to indicate another character may be written to the transmit data buffer at UART_D.

If no new character is waiting in the transmit data buffer after a stop bit is shifted out the UART_TX pin, the transmitter sets the transmit complete flag and enters an idle mode, with UART_TX high, waiting for more characters to transmit.

Writing 0 to C2[TE] does not immediately disable the transmitter. The current transmit activity in progress must first be completed. This includes data characters in progress, queued idle characters, and queued break characters.

37.3.2.1 Send break and queued idle

The UART_C2[SBK] bit sends break characters originally used to gain the attention of old teletype receivers. Break characters are a full character time of logic 0, 10-bit to 12-bit times including the start and stop bits. A longer break of 13-bit times can be enabled by setting UART_S2[BRK13]. Normally, a program would wait for UART_S1[TDRE] to become set to indicate the last character of a message has moved to the transmit

shifter, write 1, and then write 0 to the UART_C2[SBK] bit. This action queues a break character to be sent as soon as the shifter is available. If UART_C2[SBK] remains 1 when the queued break moves into the shifter, synchronized to the baud rate clock, an additional break character is queued. If the receiving device is another Freescale Semiconductor UART, the break characters are received as 0s in all data bits and a framing error (UART_S1[FE] = 1) occurs.

When idle-line wakeup is used, a full character time of idle (logic 1) is needed between messages to wake up any sleeping receivers. Normally, a program would wait for UART_S1[TDRE] to become set to indicate the last character of a message has moved to the transmit shifter, then write 0 and then write 1 to the UART_C2[TE] bit. This action queues an idle character to be sent as soon as the shifter is available. As long as the character in the shifter does not finish while UART_C2[TE] is cleared, the UART transmitter never actually releases control of the UART_TX pin.

The length of the break character is affected by the UART_S2[BRK13], UART_C1[M] and UART_C4[M10] bits as shown below.

Table 37-27. Break character length

BRK13	M	M10	SBNS	Break character length
0	0	0	0	10 bit times
0	0	0	1	11 bit times
0	1	0	0	11 bit times
0	1	0	1	12 bit times
0	X	1	0	12 bit times
0	X	1	1	13 bit times
1	0	0	0	13 bit times
1	0	0	1	14 bit times
1	1	0	0	14 bit times
1	1	0	1	15 bit times
1	X	1	0	15 bit times
1	X	1	1	16 bit times

37.3.3 Receiver functional description

In this section, the receiver block diagram is a guide for the overall receiver functional description. Next, the data sampling technique used to reconstruct receiver data is described in more detail. Finally, two variations of the receiver wakeup function are explained.

The receiver input is inverted by setting `UART_S2[RXINV]`. The receiver is enabled by setting the `UART_C2[RE]` bit. Character frames consist of a start bit of logic 0, eight to ten data bits (msb or lsb first), and one or two stop bits of logic 1. For information about 9-bit or 10-bit data mode, refer to [8-bit, 9-bit and 10-bit data modes](#). For the remainder of this discussion, assume the UART is configured for normal 8-bit data mode.

After receiving the stop bit into the receive shifter, and provided the receive data register is not already full, the data character is transferred to the receive data register and the receive data register full (`UART_S1[RDRF]`) status flag is set. If `UART_S1[RDRF]` was already set indicating the receive data register (buffer) was already full, the overrun (OR) status flag is set and the new data is lost. Because the UART receiver is double-buffered, the program has one full character time after `UART_S1[RDRF]` is set before the data in the receive data buffer must be read to avoid a receiver overrun.

When a program detects that the receive data register is full (`UART_S1[RDRF] = 1`), it gets the data from the receive data register by reading `UART_D`. Refer to [Interrupts and status flags](#) for details about flag clearing.

37.3.3.1 Data sampling technique

The UART receiver supports an oversampling rate of between $4\times$ and $32\times$ of the baud rate clock for sampling. The receiver starts by taking logic level samples at the oversampling rate times the baud rate to search for a falling edge on the `UART_RX` serial data input pin. A falling edge is defined as a logic 0 sample after three consecutive logic 1 samples. The oversampling baud rate clock divides the bit time into 4 to 32 segments from 1 to OSR (where OSR is the configured oversampling ratio). When a falling edge is located, three more samples are taken at $(OSR/2)$, $(OSR/2)+1$, and $(OSR/2)+2$ to make sure this was a real start bit and not merely noise. If at least two of these three samples are 0, the receiver assumes it is synchronized to a receive character. If another falling edge is detected before the receiver is considered synchronized, the receiver restarts the sampling from the first segment.

The receiver then samples each bit time, including the start and stop bits, at $(OSR/2)$, $(OSR/2)+1$, and $(OSR/2)+2$ to determine the logic level for that bit. The logic level is interpreted to be that of the majority of the samples taken during the bit time. If any sample in any bit time, including the start and stop bits, in a character frame fails to agree with the logic level for that bit, the noise flag (`UART_S1[NF]`) is set when the received character is transferred to the receive data buffer.

When the UART receiver is configured to sample on both edges of the baud rate clock, the number of segments in each received bit is effectively doubled (from 1 to $OSR \times 2$). The start and data bits are then sampled at OSR , $OSR+1$ and $OSR+2$. Sampling on both edges of the clock must be enabled for oversampling rates of $4\times$ to $7\times$ and is optional for higher oversampling rates.

The falling edge detection logic continuously looks for falling edges. If an edge is detected, the sample clock is resynchronized to bit times (unless resynchronization has been disabled). This improves the reliability of the receiver in the presence of noise or mismatched baud rates. It does not improve worst case analysis because some characters do not have any extra falling edges anywhere in the character frame.

In the case of a framing error, provided the received character was not a break character, the sampling logic that searches for a falling edge is filled with three logic 1 samples so that a new start bit can be detected almost immediately.

37.3.3.2 Receiver wakeup operation

Receiver wakeup is a hardware mechanism that allows an UART receiver to ignore the characters in a message intended for a different UART receiver. In such a system, all receivers evaluate the first character(s) of each message, and as soon as they determine the message is intended for a different receiver, they write logic 1 to the receiver wake up control bit (UART_C2[RWU]). When RWU bit is set, the status flags associated with the receiver, with the exception of the idle bit, IDLE, when UART_S2[RWUID] bit is set, are inhibited from setting, thus eliminating the software overhead for handling the unimportant message characters. At the end of a message, or at the beginning of the next message, all receivers automatically force UART_C2[RWU] to 0 so all receivers wake up in time to look at the first character(s) of the next message.

37.3.3.2.1 Idle-line wakeup

When wake is cleared, the receiver is configured for idle-line wakeup. In this mode, UART_C2[RWU] is cleared automatically when the receiver detects a full character time of the idle-line level. The UART_C1[M] and UART_C4[M10] control bit selects 8-bit to 10-bit data mode and the UART_BDH[SBNS] bit selects 1-bit or 2-bit stop bit number that determines how many bit times of idle are needed to constitute a full character time, 10 to 13 bit times because of the start and stop bits.

When UART_C2[RWU] is one and UART_S2[RWUID] is zero, the idle condition that wakes up the receiver does not set the UART_S1[IDLE] flag. The receiver wakes up and waits for the first data character of the next message that sets the UART_S1[RDRF] flag

and generates an interrupt if enabled. When UART_S2[RWUID] is one, any idle condition sets the UART_S1[IDLE] flag and generates an interrupt if enabled, regardless of whether UART_C2[RWU] is zero or one.

The idle-line type (UART_C1[ILT]) control bit selects one of two ways to detect an idle line. When UART_C1[ILT] is cleared, the idle bit counter starts after the start bit so the stop bit and any logic 1s at the end of a character count toward the full character time of idle. When UART_C1[ILT] is set, the idle bit counter does not start until after the stop bit time, so the idle detection is not affected by the data in the last character of the previous message.

37.3.3.2.2 Address-mark wakeup

When wake is set, the receiver is configured for address-mark wakeup. In this mode, UART_C2[RWU] is cleared automatically when the receiver detects a logic 1 in the most significant bit of a received character.

Address-mark wakeup allows messages to contain idle characters, but requires the msb be reserved for use in address frames. The logic 1 in the msb of an address frame clears the UART_C2[RWU] bit before the stop bits are received and sets the UART_S1[RDRF] flag. In this case, the character with the msb set is received even though the receiver was sleeping during most of this character time.

37.3.3.2.3 Match address operation

Match address operation is enabled when the UART_C4[MAEN1] or UART_C4[MAEN2] bit is set. In this function, a frame received by the UART_RX pin with a logic 1 in the bit position immediately preceding the stop bit is considered an address and is compared with the associated MA1 or MA2 register. The frame is only transferred to the receive buffer, and UART_S1[RDRF] is set, if the comparison matches. All subsequent frames received with a logic 0 in the bit position immediately preceding the stop bit are considered to be data associated with the address and are transferred to the receive data buffer. If no marked address match occurs then no transfer is made to the receive data buffer, and all following frames with logic zero in the bit position immediately preceding the stop bit are also discarded. If both the UART_C4[MAEN1] and UART_C4[MAEN2] bits are negated, the receiver operates normally and all data received is transferred to the receive data buffer.

Match Address operation functions in the same way for both MA1 and MA2 registers.

- If only one of UART_C4[MAEN1] and UART_C4[MAEN2] is asserted, a marked address is compared only with the associated match register and data is transferred to the receive data buffer only on a match.
- If UART_C4[MAEN1] and UART_C4[MAEN2] are asserted, a marked address is compared with both match registers and data is transferred only on a match with either register.

37.3.4 Additional UART functions

The following sections describe additional UART functions.

37.3.4.1 8-bit, 9-bit and 10-bit data modes

The UART system, transmitter and receiver, can be configured to operate in 9-bit data mode by setting the UART_C1[M] or 10-bit data mode by setting UART_C4[M10]. In 9-bit mode, there is a ninth data bit to the left of the msb of the UART data register, in 10-bit mode there is a tenth data bit. For the transmit data buffer, these bits are stored in T8 and T9 in UART_C3. For the receiver, these bits are held in UART_C3[R8] and UART_C3[R9].

For coherent writes to the transmit data buffer, write to UART_C3[T8] and UART_C3[T9] before writing to UART_D.

If the bit values to be transmitted as the ninth and tenth bit of a new character are the same as for the previous character, it is not necessary to write to T8 and T9 again. When data is transferred from the transmit data buffer to the transmit shifter, the value in T8 and T9 is copied at the same time data is transferred from UART_D to the shifter.

The 9-bit data mode is typically used with parity to allow eight bits of data plus the parity in the ninth bit, or it is used with address-mark wakeup so the ninth data bit can serve as the wakeup bit. The 10-bit data mode is typically used with parity and address-mark wakeup so the ninth data bit can serve as the wakeup bit and the tenth bit as the parity bit. In custom protocols, the ninth and/or tenth bits can also serve as software-controlled markers.

37.3.4.2 Loop mode

When `UART_C1[LOOPS]` is set, the `UART_C1[RSRC]` bit in the same register chooses between loop mode (`UART_C1[RSRC] = 0`) or single-wire mode (`UART_C1[RSRC] = 1`). Loop mode is sometimes used to check software, independent of connections in the external system, to help isolate system problems. In this mode, the transmitter output is internally connected to the receiver input and the `UART_RX` pin is not used by the UART.

37.3.4.3 Single-wire operation

When `UART_C1[LOOPS]` is set, the `RSRC` bit in the same register chooses between loop mode (`UART_C1[RSRC] = 0`) or single-wire mode (`UART_C1[RSRC] = 1`). Single-wire mode implements a half-duplex serial connection. The receiver is internally connected to the transmitter output and to the `UART_TX` pin (the `UART_RX` pin is not used).

In single-wire mode, the `UART_C3[TXDIR]` bit controls the direction of serial data on the `UART_TX` pin. When `UART_C3[TXDIR]` is cleared, the `UART_TX` pin is an input to the UART receiver and the transmitter is temporarily disconnected from the `UART_TX` pin so an external device can send serial data to the receiver. When `UART_C3[TXDIR]` is set, the `UART_TXD` pin is an output driven by the transmitter, the internal loop back connection is disabled, and as a result the receiver cannot receive characters that are sent out by the transmitter.

37.3.5 Interrupts and status flags

The UART system generates three separate interrupts to reduce the amount of software needed to isolate the cause of the interrupt. One interrupt is associated with the transmitter for `TDRE` and `TC` events. Another interrupt is associated with the receiver for `RDRF`, `IDLE`, `RXEDGIF`, and `LBKDIF` events. A third interrupt is used for `OR`, `NF`, `FE`, and `PF` error conditions. Each of these ten interrupt sources can be separately masked by local interrupt enable masks. The flags can be polled by software when the local masks are cleared to disable generation of hardware interrupt requests.

The UART transmitter has two status flags that can optionally generate hardware interrupt requests. Transmit data register empty (`UART_S1[TDRE]`) indicates when there is room in the transmit data buffer to write another transmit character to `UART_D`. If the transmit interrupt enable (`UART_C2[TIE]`) bit is set, a hardware interrupt is requested when `UART_S1[TDRE]` is set. Transmit complete (`UART_S1[TC]`) indicates that the transmitter is finished transmitting all data, preamble, and break characters and is idle

Functional description

with `UART_TX` at the inactive level. This flag is often used in systems with modems to determine when it is safe to turn off the modem. If the transmit complete interrupt enable (`UART_C2[TCIE]`) bit is set, a hardware interrupt is requested when `UART_S1[TC]` is set. Instead of hardware interrupts, software polling may be used to monitor the `UART_S1[TDRE]` and `UART_S1[TC]` status flags if the corresponding `UART_C2[TIE]` or `UART_C2[TCIE]` local interrupt masks are cleared.

When a program detects that the receive data register is full (`UART_S1[RDRF] = 1`), it gets the data from the receive data register by reading `UART_D`. The `UART_S1[RDRF]` flag is cleared by reading `UART_D`.

The IDLE status flag includes logic that prevents it from getting set repeatedly when the `UART_RX` line remains idle for an extended period of time. IDLE is cleared by writing 1 to the `UART_S1[IDLE]` flag. After `UART_S1[IDLE]` has been cleared, it cannot become set again until the receiver has received at least one new character and has set `UART_S1[RDRF]`.

If the associated error was detected in the received character that caused `UART_S1[RDRF]` to be set, the error flags - noise flag (`UART_S1[NF]`), framing error (`UART_S1[FE]`), and parity error flag (`UART_S1[PF]`) - are set at the same time as `UART_S1[RDRF]`. These flags are not set in overrun cases.

If `UART_S1[RDRF]` was already set when a new character is ready to be transferred from the receive shifter to the receive data buffer, the overrun (`UART_S1[OR]`) flag is set instead of the data along with any associated NF, FE, or PF condition is lost.

At any time, an active edge on the `UART_RX` serial data input pin causes the `UART_S2[RXEDGIF]` flag to set. The `UART_S2[RXEDGIF]` flag is cleared by writing a 1 to it. This function depends on the receiver being enabled (`UART_C2[RE] = 1`).

Chapter 38

Universal Asynchronous Receiver/Transmitter (UART1 and UART2)

38.1 Introduction

38.1.1 Features

Features of UART module include:

- Full-duplex, standard non-return-to-zero (NRZ) format
- Double-buffered transmitter and receiver with separate enables
- Programmable baud rates (13-bit modulo divider)
- Interrupt-driven or polled operation:
 - Transmit data register empty and transmission complete
 - Receive data register full
 - Receive overrun, parity error, framing error, and noise error
 - Idle receiver detect
 - Active edge on receive pin
 - Break detect supporting LIN
- Hardware parity generation and checking
- Programmable 8-bit or 9-bit character length
- Programmable 1-bit or 2-bit stop bits
- Receiver wakeup by idle-line or address-mark
- Optional 13-bit break character generation / 11-bit break character detection
- Selectable transmitter output polarity
- 5-channel DMA interface

38.1.2 Modes of operation

See Section [Functional description](#) for details concerning UART operation in these modes:

- 8- and 9-bit data modes
- Stop mode operation
- Loop mode
- Single-wire mode

38.1.3 Block diagram

The following figure shows the transmitter portion of the UART.

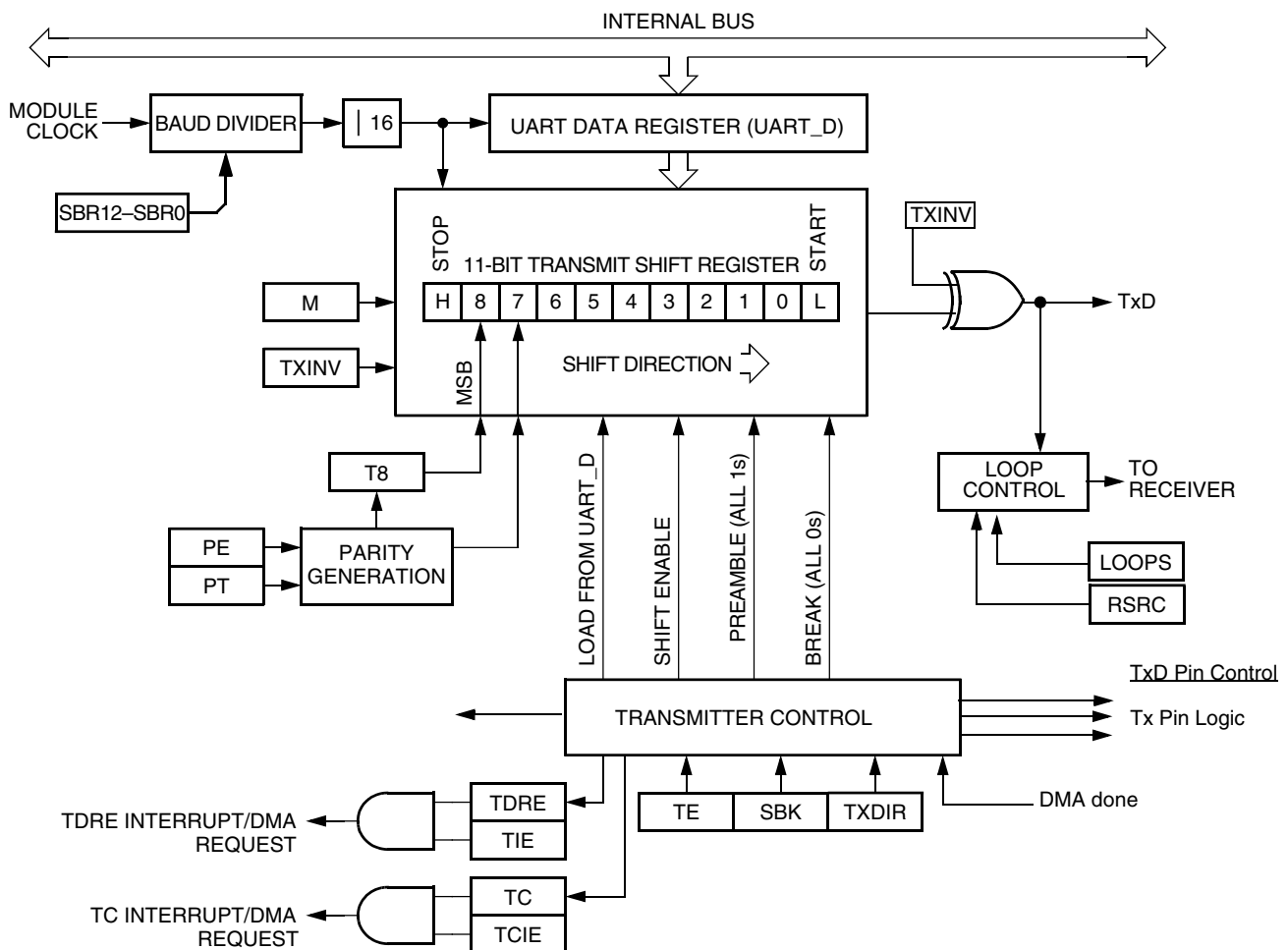


Figure 38-1. UART transmitter block diagram

The following figure shows the receiver portion of the UART.

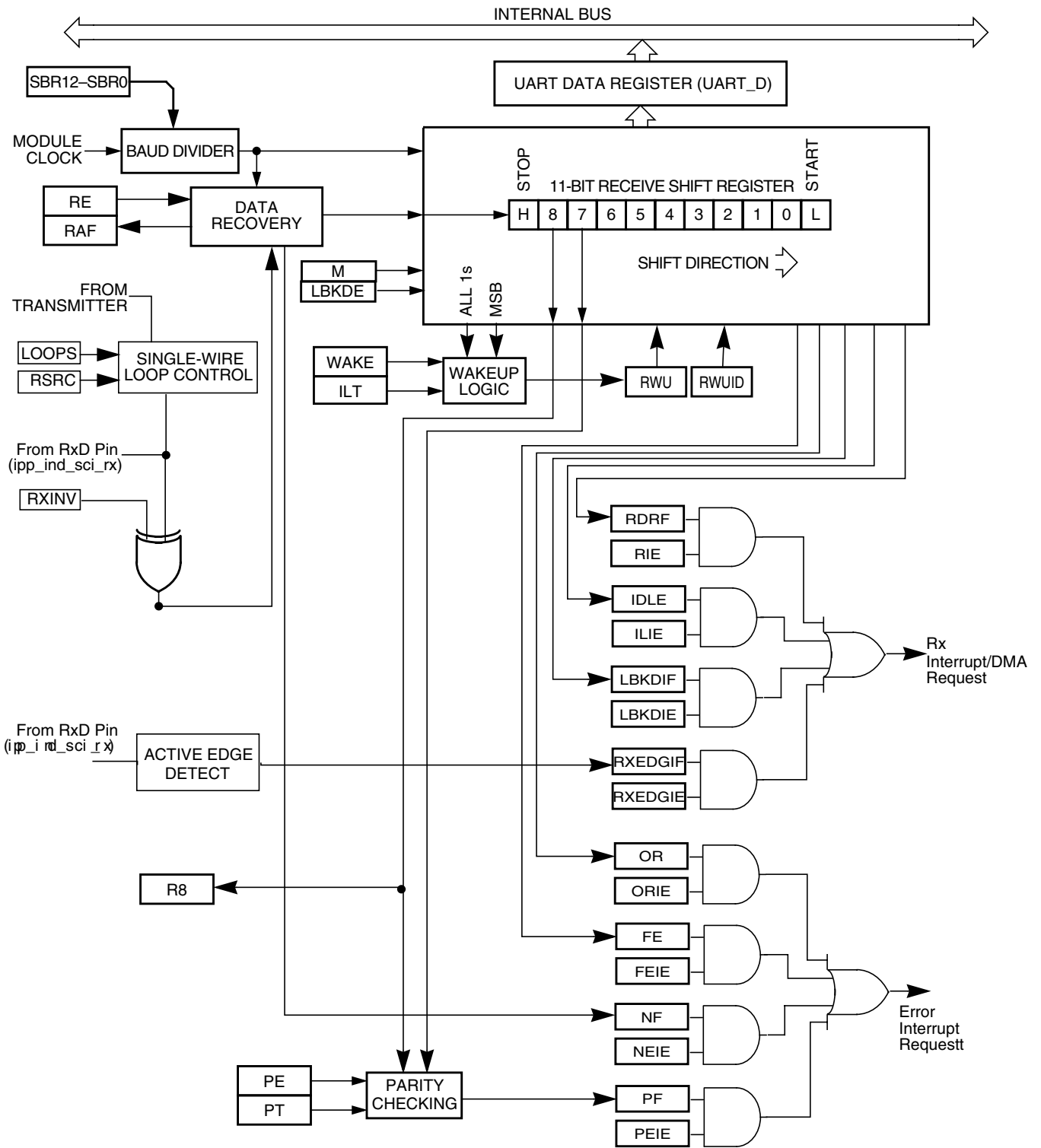


Figure 38-2. UART receiver block diagram

38.2 Register definition

The UART has 8-bit registers to control baud rate, select UART options, report UART status, select DMA options, and for transmit/receive data.

Refer to the direct-page register summary in the memory chapter of this document or the absolute address assignments for all UART registers. This section refers to registers and control bits only by their names. A Freescale-provided equate or header file is used to translate these names into the appropriate absolute addresses.

UART memory map

Absolute address (hex)	Register name	Width (in bits)	Access	Reset value	Section/page
4006_B000	UART Baud Rate Register: High (UART1_BDH)	8	R/W	00h	38.2.1/721
4006_B001	UART Baud Rate Register: Low (UART1_BDL)	8	R/W	04h	38.2.2/721
4006_B002	UART Control Register 1 (UART1_C1)	8	R/W	00h	38.2.3/722
4006_B003	UART Control Register 2 (UART1_C2)	8	R/W	00h	38.2.4/723
4006_B004	UART Status Register 1 (UART1_S1)	8	R	C0h	38.2.5/725
4006_B005	UART Status Register 2 (UART1_S2)	8	R/W	00h	38.2.6/726
4006_B006	UART Control Register 3 (UART1_C3)	8	R/W	00h	38.2.7/728
4006_B007	UART Data Register (UART1_D)	8	R/W	00h	38.2.8/730
4006_B008	UART Control Register 4 (UART1_C4)	8	R/W	00h	38.2.9/730
4006_C000	UART Baud Rate Register: High (UART2_BDH)	8	R/W	00h	38.2.1/721
4006_C001	UART Baud Rate Register: Low (UART2_BDL)	8	R/W	04h	38.2.2/721
4006_C002	UART Control Register 1 (UART2_C1)	8	R/W	00h	38.2.3/722
4006_C003	UART Control Register 2 (UART2_C2)	8	R/W	00h	38.2.4/723
4006_C004	UART Status Register 1 (UART2_S1)	8	R	C0h	38.2.5/725
4006_C005	UART Status Register 2 (UART2_S2)	8	R/W	00h	38.2.6/726
4006_C006	UART Control Register 3 (UART2_C3)	8	R/W	00h	38.2.7/728
4006_C007	UART Data Register (UART2_D)	8	R/W	00h	38.2.8/730
4006_C008	UART Control Register 4 (UART2_C4)	8	R/W	00h	38.2.9/730

38.2.1 UART Baud Rate Register: High (UARTx_BDH)

This register, along with UART_BDL, controls the prescale divisor for UART baud rate generation. To update the 13-bit baud rate setting [SBR12:SBR0], first write to UART_BDH to buffer the high half of the new value and then write to UART_BDL. The working value in UART_BDH does not change until UART_BDL is written.

Address: Base address + h offset

Bit	7	6	5	4	3	2	1	0
Read								
Write	LBKDIE	RXEDGIE	SBNS		SBR			
Reset	0	0	0	0	0	0	0	0

UARTx_BDH field descriptions

Field	Description
7 LBKDIE	LIN Break Detect Interrupt Enable (for LBKDIF) 0 Hardware interrupts from UART_S2[LBKDIF] disabled (use polling). 1 Hardware interrupt requested when UART_S2[LBKDIF] flag is 1.
6 RXEDGIE	RxD Input Active Edge Interrupt Enable (for RXEDGIF) 0 Hardware interrupts from UART_S2[RXEDGIF] disabled (use polling). 1 Hardware interrupt requested when UART_S2[RXEDGIF] flag is 1.
5 SBNS	Stop Bit Number Select SBNS determines whether data characters are one or two stop bits. 0 One stop bit. 1 Two stop bit.
4–0 SBR	Baud Rate Modulo Divisor. The 13 bits in SBR[12:0] are referred to collectively as BR, and they set the modulo divide rate for the UART baud rate generator. When BR is cleared, the UART baud rate generator is disabled to reduce supply current. When BR is 1 - 8191, the UART baud rate equals BUSCLK/(16×BR).

38.2.2 UART Baud Rate Register: Low (UARTx_BDL)

This register, along with UART_BDH, control the prescale divisor for UART baud rate generation. To update the 13-bit baud rate setting [SBR12:SBR0], first write to UART_BDH to buffer the high half of the new value and then write to UART_BDL. The working value in UART_BDH does not change until UART_BDL is written.

Register definition

UART_BDL is reset to a non-zero value, so after reset the baud rate generator remains disabled until the first time the receiver or transmitter is enabled; that is, 1 is written to UART_C2[RE] or UART_C2[TE].

Address: Base address + h offset

Bit	7	6	5	4	3	2	1	0
Read	SBR							
Write	SBR							
Reset	0	0	0	0	0	1	0	0

UARTx_BDL field descriptions

Field	Description
7-0 SBR	<p>Baud Rate Modulo Divisor</p> <p>These 13 bits in SBR[12:0] are referred to collectively as BR. They set the modulo divide rate for the UART baud rate generator. When BR is cleared, the UART baud rate generator is disabled to reduce supply current. When BR is 1 - 8191, the UART baud rate equals BUSCLK/(16×BR).</p>

38.2.3 UART Control Register 1 (UARTx_C1)

This read/write register controls various optional features of the UART system.

Address: Base address + h offset

Bit	7	6	5	4	3	2	1	0
Read	LOOPS	UARTSWAI	RSRC	M	WAKE	ILT	PE	PT
Write	LOOPS	UARTSWAI	RSRC	M	WAKE	ILT	PE	PT
Reset	0	0	0	0	0	0	0	0

UARTx_C1 field descriptions

Field	Description
7 LOOPS	<p>Loop Mode Select</p> <p>Selects between loop mode and normal 2-pin full-duplex modes. When LOOPS is set, the transmitter output is internally connected to the receiver input.</p> <p>0 Normal operation - RxD and TxD use separate pins. 1 Loop mode or single-wire mode where transmitter outputs are internally connected to receiver input. (See RSRC bit.) RxD pin is not used by UART.</p>
6 UARTSWAI	<p>UART Stops in Wait Mode</p> <p>0 UART clocks continue to run in wait mode so the UART can be the source of an interrupt that wakes up the CPU. 1 UART clocks freeze while CPU is in wait mode.</p>
5 RSRC	Receiver Source Select

Table continues on the next page...

UARTx_C1 field descriptions (continued)

Field	Description
	<p>This bit has no meaning or effect unless the LOOPS bit is set to 1. When LOOPS is set, the receiver input is internally connected to the TxD pin and RSRC determines whether this connection is also connected to the transmitter output.</p> <p>0 Provided LOOPS is set, RSRC is cleared, selects internal loop back mode and the UART does not use the RxD pins.</p> <p>1 Single-wire UART mode where the TxD pin is connected to the transmitter output and receiver input.</p>
4 M	<p>9-Bit or 8-Bit Mode Select</p> <p>0 Normal - start + 8 data bits (lsb first) + stop.</p> <p>1 Receiver and transmitter use 9-bit data characters start + 8 data bits (lsb first) + 9th data bit + stop.</p>
3 WAKE	<p>Receiver Wakeup Method Select</p> <p>0 Idle-line wakeup.</p> <p>1 Address-mark wakeup.</p>
2 ILT	<p>Idle Line Type Select</p> <p>Setting this bit to 1 ensures that the stop bits and logic 1 bits at the end of a character do not count toward the 10 or 11 bit times of logic high level needed by the idle line detection logic.</p> <p>0 Idle character bit count starts after start bit.</p> <p>1 Idle character bit count starts after stop bit.</p>
1 PE	<p>Parity Enable</p> <p>Enables hardware parity generation and checking. When parity is enabled, the most significant bit (msb) of the data character, eighth or ninth data bit, is treated as the parity bit.</p> <p>0 No hardware parity generation or checking.</p> <p>1 Parity enabled.</p>
0 PT	<p>Parity Type</p> <p>Provided parity is enabled (PE = 1), this bit selects even or odd parity. Odd parity means the total number of 1s in the data character, including the parity bit, is odd. Even parity means the total number of 1s in the data character, including the parity bit, is even.</p> <p>0 Even parity.</p> <p>1 Odd parity.</p>

38.2.4 UART Control Register 2 (UARTx_C2)

This register can be read or written at any time.

Address: Base address + h offset

Bit	7	6	5	4	3	2	1	0
Read	TIE	TCIE	RIE	ILIE	TE	RE	RWU	SBK
Write								
Reset	0	0	0	0	0	0	0	0

UARTx_C2 field descriptions

Field	Description
7 TIE	<p>Transmit Interrupt Enable for TDRE</p> <p>0 Hardware interrupts from TDRE disabled; use polling. 1 Hardware interrupt requested when TDRE flag is 1.</p>
6 TCIE	<p>Transmission Complete Interrupt Enable for TC</p> <p>0 Hardware interrupts from TC disabled; use polling. 1 Hardware interrupt requested when TC flag is 1.</p>
5 RIE	<p>Receiver Interrupt Enable for RDRF</p> <p>0 Hardware interrupts from RDRF disabled; use polling. 1 Hardware interrupt requested when RDRF flag is 1.</p>
4 ILIE	<p>Idle Line Interrupt Enable for IDLE</p> <p>0 Hardware interrupts from IDLE disabled; use polling. 1 Hardware interrupt requested when IDLE flag is 1.</p>
3 TE	<p>Transmitter Enable</p> <p>TE must be 1 to use the UART transmitter. When TE is set, the UART forces the TxD pin to act as an output for the UART system.</p> <p>When the UART is configured for single-wire operation (LOOPS = RSRC = 1), TXDIR controls the direction of traffic on the single UART communication line (TxD pin).</p> <p>TE can also queue an idle character by clearing TE then setting TE while a transmission is in progress.</p> <p>When 0 is written to TE, the transmitter keeps control of the port TxD pin until any data, queued idle, or queued break character finishes transmitting before allowing the pin to revert to a general-purpose I/O pin.</p> <p>0 Transmitter off. 1 Transmitter on.</p>
2 RE	<p>Receiver Enable</p> <p>When the UART receiver is off, the RxD pin reverts to being a general-purpose port I/O pin. If LOOPS is set the RxD pin reverts to being a general-purpose I/O pin even if RE is set.</p> <p>0 Receiver off. 1 Receiver on.</p>
1 RWU	<p>Receiver Wakeup Control</p> <p>This bit can be written to 1 to place the UART receiver in a standby state where it waits for automatic hardware detection of a selected wakeup condition. The wakeup condition is an idle line between messages, WAKE = 0, idle-line wakeup, or a logic 1 in the most significant data bit in a character, WAKE = 1, address-mark wakeup. Application software sets RWU and, normally, a selected hardware condition automatically clears RWU.</p> <p>0 Normal UART receiver operation. 1 UART receiver in standby waiting for wakeup condition.</p>
0 SBK	<p>Send Break</p> <p>Writing a 1 and then a 0 to SBK queues a break character in the transmit data stream. Additional break characters of 10 or 11 or 12, 13 or 14 or 15 if BRK13 = 1, bit times of logic 0 are queued as long as SBK is set. Depending on the timing of the set and clear of SBK relative to the information currently being transmitted, a second break character may be queued before software clears SBK.</p>

Table continues on the next page...

UARTx_C2 field descriptions (continued)

Field	Description
0	Normal transmitter operation.
1	Queue break character(s) to be sent.

38.2.5 UART Status Register 1 (UARTx_S1)

This register has eight read-only status flags. Writes have no effect. Special software sequences, which do not involve writing to this register, clear these status flags.

Address: Base address + h offset

Bit	7	6	5	4	3	2	1	0
Read	TDRE	TC	RDRF	IDLE	OR	NF	FE	PF
Write								
Reset	1	1	0	0	0	0	0	0

UARTx_S1 field descriptions

Field	Description
7 TDRE	<p>Transmit Data Register Empty Flag</p> <p>TDRE is set out of reset and when a transmit data value transfers from the transmit data buffer to the transmit shifter, leaving room for a new character in the buffer. To clear TDRE, read UART_S1 with TDRE set and then write to the UART data register (UART_D).</p> <p>0 Transmit data register (buffer) full. 1 Transmit data register (buffer) empty.</p>
6 TC	<p>Transmission Complete Flag</p> <p>TC is set out of reset and when TDRE is set and no data, preamble, or break character is being transmitted.</p> <p>TC is cleared automatically by reading UART_S1 with TC set and then doing one of the following:</p> <ul style="list-style-type: none"> • Write to the UART data register (UART_D) to transmit new data • Queue a preamble by changing TE from 0 to 1 • Queue a break character by writing 1 to UART_C2[SBK] <p>0 Transmitter active (sending data, a preamble, or a break). 1 Transmitter idle (transmission activity complete).</p>
5 RDRF	<p>Receive Data Register Full Flag</p> <p>RDRF becomes set when a character transfers from the receive shifter into the receive data register (UART_D). To clear RDRF, read UART_S1 with RDRF set and then read the UART data register (UART_D).</p> <p>0 Receive data register empty. 1 Receive data register full.</p>
4 IDLE	<p>Idle Line Flag</p> <p>IDLE is set when the UART receive line becomes idle for a full character time after a period of activity. When ILT is cleared, the receiver starts counting idle bit times after the start bit. If the receive character is</p>

Table continues on the next page...

UARTx_S1 field descriptions (continued)

Field	Description
	<p>all 1s, these bit times and the stop bits time count toward the full character time of logic high, 10 or 11 bit times depending on the M control bit, needed for the receiver to detect an idle line. When ILT is set, the receiver doesn't start counting idle bit times until after the stop bits. The stop bits and any logic high bit times at the end of the previous character do not count toward the full character time of logic high needed for the receiver to detect an idle line.</p> <p>To clear IDLE, read UART_S1 with IDLE set and then read the UART data register (UART_D). After IDLE has been cleared, it cannot become set again until after a new character has been received and RDRF has been set. IDLE is set only once even if the receive line remains idle for an extended period.</p> <p>0 No idle line detected. 1 Idle line was detected.</p>
3 OR	<p>Receiver Overrun Flag</p> <p>OR is set when a new serial character is ready to be transferred to the receive data register (buffer), but the previously received character has not been read from UART_D yet. In this case, the new character, and all associated error information, is lost because there is no room to move it into UART_D. To clear OR, read UART_S1 with OR set and then read the UART data register (UART_D).</p> <p>0 No overrun. 1 Receive overrun (new UART data lost).</p>
2 NF	<p>Noise Flag</p> <p>The advanced sampling technique used in the receiver takes seven samples during the start bit and three samples in each data bit and the stop bits. If any of these samples disagrees with the rest of the samples within any bit time in the frame, the flag NF is set at the same time as RDRF is set for the character. To clear NF, read UART_S1 and then read the UART data register (UART_D).</p> <p>0 No noise detected. 1 Noise detected in the received character in UART_D.</p>
1 FE	<p>Framing Error Flag</p> <p>FE is set at the same time as RDRF when the receiver detects a logic 0 where the stop bits was expected. This suggests the receiver was not properly aligned to a character frame. To clear FE, read UART_S1 with FE set and then read the UART data register (UART_D).</p> <p>0 No framing error detected. This does not guarantee the framing is correct. 1 Framing error.</p>
0 PF	<p>Parity Error Flag</p> <p>PF is set at the same time as RDRF when parity is enabled (PE = 1) and the parity bit in the received character does not agree with the expected parity value. To clear PF, read UART_S1 and then read the UART data register (UART_D).</p> <p>0 No parity error. 1 Parity error.</p>

38.2.6 UART Status Register 2 (UARTx_S2)

This register contains one read-only status flag.

When using an internal oscillator in a LIN system, it is necessary to raise the break detection threshold one bit time. Under the worst case timing conditions allowed in LIN, it is possible that a 0x00 data character can appear to be 10.26 bit times long at a slave running 14% faster than the master. This would trigger normal break detection circuitry designed to detect a 10-bit break symbol. When the LBKDE bit is set, framing errors are inhibited and the break detection threshold changes from 10 bits to 11 bits, preventing false detection of a 0x00 data character as a LIN break symbol.

Address: Base address + h offset

Bit	7	6	5	4	3	2	1	0
Read	LBKDIF	RXEDGIF	0	RXINV	RWUID	BRK13	LBKDE	RAF
Write								
Reset	0	0	0	0	0	0	0	0

UARTx_S2 field descriptions

Field	Description
7 LBKDIF	<p>LIN Break Detect Interrupt Flag</p> <p>LBKDIF is set when the LIN break detect circuitry is enabled and a LIN break character is detected. LBKDIF is cleared by writing a 1 to it.</p> <p>0 No LIN break character has been detected. 1 LIN break character has been detected.</p>
6 RXEDGIF	<p>RxD Pin Active Edge Interrupt Flag</p> <p>RXEDGIF is set when an active edge, falling if RXINV = 0, rising if RXINV=1, on the RxD pin occurs. RXEDGIF is cleared by writing a 1 to it.</p> <p>0 No active edge on the receive pin has occurred. 1 An active edge on the receive pin has occurred.</p>
5 Reserved	<p>This field is reserved. This read-only field is reserved and always has the value 0.</p>
4 RXINV	<p>Receive Data Inversion</p> <p>Setting this bit reverses the polarity of the received data input.</p> <p>NOTE: Setting RXINV inverts the RxD input for all cases: data bits, start and stop bits, break, and idle.</p> <p>0 Receive data not inverted. 1 Receive data inverted.</p>
3 RWUID	<p>Receive Wake Up Idle Detect</p> <p>RWUID controls whether the idle character that wakes up the receiver sets the IDLE bit.</p> <p>0 During receive standby state (RWU = 1), the IDLE bit does not get set upon detection of an idle character. 1 During receive standby state (RWU = 1), the IDLE bit gets set upon detection of an idle character.</p>
2 BRK13	<p>Break Character Generation Length</p>

Table continues on the next page...

UARTx_S2 field descriptions (continued)

Field	Description
	<p>BRK13 selects a longer transmitted break character length. Detection of a framing error is not affected by the state of this bit.</p> <p>0 Break character is transmitted with length of 10 bit times (if M = 0, SBNS = 0) or 11 (if M = 1, SBNS = 0 or M = 0, SBNS = 1) or 12 (if M = 1, SBNS = 1).</p> <p>1 Break character is transmitted with length of 13 bit times (if M = 0, SBNS = 0) or 14 (if M = 1, SBNS = 0 or M = 0, SBNS = 1) or 15 (if M = 1, SBNS = 1).</p>
1 LBKDE	<p>LIN Break Detection Enable</p> <p>LBKDE enables the break detection. While LBKDE is set, framing error (FE) and receive data register full (RDRF) flags are prevented from setting.</p> <p>0 Break detection is disabled.</p> <p>1 Break detection is enabled (Break character is detected at length 11 bit times (if M = 0, SBNS = 0) or 12 (if M = 1, SBNS = 0 or M = 0, SBNS = 1) or 13 (if M = 1, SBNS = 1)).</p>
0 RAF	<p>Receiver Active Flag</p> <p>RAF is set when the UART receiver detects the beginning of a valid start bit, and RAF is cleared automatically when the receiver detects an idle line. This status flag can be used to check whether an UART character is being received before instructing the MCU to go to stop mode.</p> <p>0 UART receiver idle waiting for a start bit.</p> <p>1 UART receiver active (RxD input not idle).</p>

38.2.7 UART Control Register 3 (UARTx_C3)

Address: Base address + h offset

Bit	7	6	5	4	3	2	1	0
Read	R8	T8	TXDIR	TXINV	ORIE	NEIE	FEIE	PEIE
Write								
Reset	0	0	0	0	0	0	0	0

UARTx_C3 field descriptions

Field	Description
7 R8	<p>Ninth Data Bit for Receiver</p> <p>When the UART is configured for 9-bit data (M = 1), R8 can be thought of as a ninth receive data bit to the left of the msb of the buffered data in the UART_D register. When reading 9-bit data, read R8 before reading UART_D because reading UART_D completes automatic flag clearing sequences that could allow R8 and UART_D to be overwritten with new data.</p>
6 T8	<p>Ninth Data Bit for Transmitter</p> <p>When the UART is configured for 9-bit data (M = 1), T8 may be thought of as a ninth transmit data bit to the left of the msb of the data in the UART_D register. When writing 9-bit data, the entire 9-bit value is transferred to the UART shift register after UART_D is written so T8 should be written, if it needs to change from its previous value, before UART_D is written. If T8 does not need to change in the new value,</p>

Table continues on the next page...

UARTx_C3 field descriptions (continued)

Field	Description
	such as when it is used to generate mark or space parity, it need not be written each time UART_D is written.
5 TXDIR	<p>TxD Pin Direction in Single-Wire Mode</p> <p>When the UART is configured for single-wire half-duplex operation (LOOPS = RSRC = 1), this bit determines the direction of data at the TxD pin.</p> <p>0 TxD pin is an input in single-wire mode. 1 TxD pin is an output in single-wire mode.</p>
4 TXINV	<p>Transmit Data Inversion</p> <p>Setting this bit reverses the polarity of the transmitted data output.</p> <p>NOTE: Setting TXINV inverts the TxD output for all cases: data bits, start and stop bits, break, and idle.</p> <p>0 Transmit data not inverted. 1 Transmit data inverted.</p>
3 ORIE	<p>Overrun Interrupt Enable</p> <p>This bit enables the overrun flag (OR) to generate hardware interrupt requests.</p> <p>0 OR interrupts disabled; use polling. 1 Hardware interrupt requested when OR is set.</p>
2 NEIE	<p>Noise Error Interrupt Enable</p> <p>This bit enables the noise flag (NF) to generate hardware interrupt requests.</p> <p>0 NF interrupts disabled; use polling). 1 Hardware interrupt requested when NF is set.</p>
1 FEIE	<p>Framing Error Interrupt Enable</p> <p>This bit enables the framing error flag (FE) to generate hardware interrupt requests.</p> <p>0 FE interrupts disabled; use polling). 1 Hardware interrupt requested when FE is set.</p>
0 PEIE	<p>Parity Error Interrupt Enable</p> <p>This bit enables the parity error flag (PF) to generate hardware interrupt requests.</p> <p>0 PF interrupts disabled; use polling). 1 Hardware interrupt requested when PF is set.</p>

38.2.8 UART Data Register (UARTx_D)

This register is actually two separate registers. Reads return the contents of the read-only receive data buffer and writes go to the write-only transmit data buffer. Reads and writes of this register are also involved in the automatic flag clearing mechanisms for the UART status flags.

Address: Base address + h offset

Bit	7	6	5	4	3	2	1	0
Read	R7T7	R6T6	R5T5	R4T4	R3T3	R2T2	R1T1	R0T0
Write								
Reset	0	0	0	0	0	0	0	0

UARTx_D field descriptions

Field	Description
7 R7T7	Read receive data buffer 7 or write transmit data buffer 7.
6 R6T6	Read receive data buffer 6 or write transmit data buffer 6.
5 R5T5	Read receive data buffer 5 or write transmit data buffer 5.
4 R4T4	Read receive data buffer 4 or write transmit data buffer 4.
3 R3T3	Read receive data buffer 3 or write transmit data buffer 3.
2 R2T2	Read receive data buffer 2 or write transmit data buffer 2.
1 R1T1	Read receive data buffer 1 or write transmit data buffer 1.
0 R0T0	Read receive data buffer 0 or write transmit data buffer 0.

38.2.9 UART Control Register 4 (UARTx_C4)

Address: Base address + h offset

Bit	7	6	5	4	3	2	1	0
Read	TDMAS	0	RDMAS	0	0		0	
Write								
Reset	0	0	0	0	0	0	0	0

UARTx_C4 field descriptions

Field	Description
7 TDMAS	<p>Transmitter DMA Select</p> <p>TDMAS configures the transmit data register empty flag, TDRE, to generate interrupt or DMA requests if TIE is set.</p> <p>NOTE: If UART_C2[TIE] is cleared, TDRE DMA and TDRE interrupt request signals are not asserted when the TDRE flag is set, regardless of the state of TDMAS.</p> <p>If UART_C2[TIE] and TDMAS are both set, then UART_C2[TCIE] must be cleared, and UART_D must not be written outside of servicing of a DMA request.</p> <p>0 If TIE is set and the TDRE flag is set, the TDRE interrupt request signal is asserted to request interrupt service.</p> <p>1 If TIE is set and the TDRE flag is set, the TDRE DMA request signal is asserted to request a DMA transfer.</p>
6 Reserved	<p>This field is reserved.</p> <p>This read-only field is reserved and always has the value 0.</p>
5 RDMAS	<p>Receiver Full DMA Select</p> <p>RDMAS configures the receiver data register full flag, RDRF, to generate interrupt or DMA requests if RIE is set.</p> <p>NOTE: If RIE is cleared, the RDRF DMA and RDRF interrupt request signals are not asserted when the RDRF flag is set, regardless of the state of RDMAS.</p> <p>0 If RIE is set and the RDRF flag is set, the RDRF interrupt request signal is asserted to request interrupt service.</p> <p>1 If RIE is set and the RDRF flag is set, the RDRF DMA request signal is asserted to request a DMA transfer.</p>
4 Reserved	<p>This field is reserved.</p> <p>This read-only field is reserved and always has the value 0.</p>
3 Reserved	<p>This field is reserved.</p> <p>This read-only field is reserved and always has the value 0.</p>
2–0 Reserved	<p>This field is reserved.</p> <p>This read-only field is reserved and always has the value 0.</p>

38.3 Functional description

The UART allows full-duplex, asynchronous, NRZ serial communication among the MCU and remote devices, including other MCUs. The UART comprises a baud rate generator, transmitter, and receiver block. The transmitter and receiver operate independently, although they use the same baud rate generator. During normal operation, the MCU monitors the status of the UART, writes the data to be transmitted, and processes received data. The following describes each of the blocks of the UART.

38.3.1 Baud rate generation

As shown in the following figure, the clock source for the UART baud rate generator is the bus-rate clock.

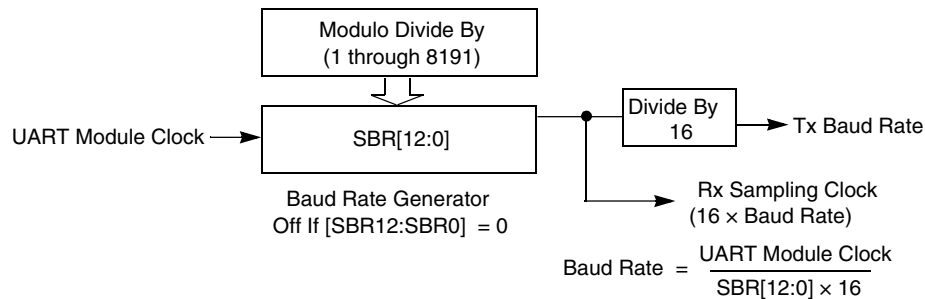


Figure 38-30. UART baud rate generation

UART communications require the transmitter and receiver, which typically derive baud rates from independent clock sources, to use the same baud rate. Allowed tolerance on this baud frequency depends on the details of how the receiver synchronizes to the leading edge of the start bit and how bit sampling is performed.

The MCU resynchronizes to bit boundaries on every high-to-low transition. In the worst case, there are no such transitions in the full 10- or 11-bit or 12-bit time character frame so any mismatch in baud rate is accumulated for the whole character time. For a Freescale UART system whose bus frequency is driven by a crystal, the allowed baud rate mismatch is about ± 4.5 percent for 8-bit data format and about ± 4 percent for 9-bit data format. Although baud rate modulo divider settings do not always produce baud rates that exactly match standard rates, it is normally possible to get within a few percent, which is acceptable for reliable communications.

38.3.2 Transmitter functional description

This section describes the overall block diagram for the UART transmitter, as well as specialized functions for sending break and idle characters.

The transmitter output (TxD) idle state defaults to logic high, UART_C3[TXINV] is cleared following reset. The transmitter output is inverted by setting UART_C3[TXINV]. The transmitter is enabled by setting the TE bit in UART_C2. This queues a preamble character that is one full character frame of the idle state. The transmitter then remains idle until data is available in the transmit data buffer. Programs store data into the transmit data buffer by writing to the UART data register (UART_D).

The central element of the UART transmitter is the transmit shift register that is 10 or 11 or 12 bits long depending on the setting in the UART_C1[M] control bit and UART_BDH[SBNS] bit. For the remainder of this section, assume UART_C1[M] is

cleared, UART_BDH[SBNS] is also cleared, selecting the normal 8-bit data mode. In 8-bit data mode, the shift register holds a start bit, eight data bits, and a stop bit. When the transmit shift register is available for a new UART character, the value waiting in the transmit data register is transferred to the shift register, synchronized with the baud rate clock, and the transmit data register empty (UART_S1[TDRE]) status flag is set to indicate another character may be written to the transmit data buffer at UART_D.

If no new character is waiting in the transmit data buffer after a stop bit is shifted out the TxD pin, the transmitter sets the transmit complete flag and enters an idle mode, with TxD high, waiting for more characters to transmit.

Writing 0 to UART_C2[TE] does not immediately release the pin to be a general-purpose I/O pin. Any transmit activity in progress must first be completed. This includes data characters in progress, queued idle characters, and queued break characters.

38.3.2.1 Send break and queued idle

The UART_C2[SBK] bit sends break characters originally used to gain the attention of old teletype receivers. Break characters are a full character time of logic 0, 10 bit times including the start and stop bits. A longer break of 13 bit times can be enabled by setting UART_S2[BRK13]. Normally, a program would wait for UART_S1[TDRE] to become set to indicate the last character of a message has moved to the transmit shifter, write 1, and then write 0 to the UART_C2[SBK] bit. This action queues a break character to be sent as soon as the shifter is available. If UART_C2[SBK] remains 1 when the queued break moves into the shifter, synchronized to the baud rate clock, an additional break character is queued. If the receiving device is another Freescale Semiconductor UART, the break characters are received as 0s in all eight data bits and a framing error (UART_S1[FE] = 1) occurs.

When idle-line wakeup is used, a full character time of idle (logic 1) is needed between messages to wake up any sleeping receivers. Normally, a program would wait for UART_S1[TDRE] to become set to indicate the last character of a message has moved to the transmit shifter, then write 0 and then write 1 to the UART_C2[TE] bit. This action queues an idle character to be sent as soon as the shifter is available. As long as the character in the shifter does not finish while UART_C2[TE] is cleared, the UART transmitter never actually releases control of the TxD pin. If there is a possibility of the shifter finishing while UART_C2[TE] is cleared, set the general-purpose I/O controls so the pin shared with TxD is an output driving a logic 1. This ensures that the TxD line looks like a normal idle line even if the UART loses control of the port pin between writing 0 and then 1 to UART_C2[TE].

The length of the break character is affected by the UART_S2[BRK13] and UART_C1[M] bits as shown below.

Table 38-31. Break character length

BRK13	M	SBNS	Break character length
0	0	0	10 bit times
0	0	1	11 bit times
0	1	0	11 bit times
0	1	1	12 bit times
1	0	0	13 bit times
1	0	1	14 bit times
1	1	0	14 bit times
1	1	1	15 bit times

38.3.3 Receiver functional description

In this section, the receiver block diagram is a guide for the overall receiver functional description. Next, the data sampling technique used to reconstruct receiver data is described in more detail. Finally, two variations of the receiver wakeup function are explained.

The receiver input is inverted by setting UART_S2[RXINV]. The receiver is enabled by setting the UART_C2[RE] bit. Character frames consist of a start bit of logic 0, eight (or nine) data bits (lsb first), and one (or two) stop bits of logic 1. For information about 9-bit data mode, refer to [8- and 9-bit data modes](#). For the remainder of this discussion, assume the UART is configured for normal 8-bit data mode.

After receiving the stop bit into the receive shifter, and provided the receive data register is not already full, the data character is transferred to the receive data register and the receive data register full (UART_S1[RDRF]) status flag is set. If UART_S1[RDRF] was already set indicating the receive data register (buffer) was already full, the overrun (OR) status flag is set and the new data is lost. Because the UART receiver is double-buffered, the program has one full character time after UART_S1[RDRF] is set before the data in the receive data buffer must be read to avoid a receiver overrun.

When a program detects that the receive data register is full (UART_S1[RDRF] = 1), it gets the data from the receive data register by reading UART_D. The UART_S1[RDRF] flag is cleared automatically by a two-step sequence normally satisfied in the course of the user's program that manages receive data. Refer to [Interrupts and status flags](#) for more details about flag clearing.

38.3.3.1 Data sampling technique

The UART receiver uses a 16× baud rate clock for sampling. The receiver starts by taking logic level samples at 16 times the baud rate to search for a falling edge on the RxD serial data input pin. A falling edge is defined as a logic 0 sample after three consecutive logic 1 samples. The 16× baud rate clock divides the bit time into 16 segments labeled UART_D[[RT1] through UART_D[RT16]. When a falling edge is located, three more samples are taken at UART_D[RT3], UART_D[RT5], and UART_D[RT7] to make sure this was a real start bit and not merely noise. If at least two of these three samples are 0, the receiver assumes it is synchronized to a receive character.

The receiver then samples each bit time, including the start and stop bits, at UART_D[RT8], UART_D[RT9], and UART_D[RT10] to determine the logic level for that bit. The logic level is interpreted to be that of the majority of the samples taken during the bit time. In the case of the start bit, the bit is assumed to be 0 if at least two of the samples at UART_D[RT3], UART_D[RT5], and UART_D[RT7] are 0 even if one or all of the samples taken at UART_D[RT8], UART_D[RT9], and UART_D[RT10] are 1s. If any sample in any bit time, including the start and stop bits, in a character frame fails to agree with the logic level for that bit, the noise flag (UART_S1[NF]) is set when the received character is transferred to the receive data buffer.

The falling edge detection logic continuously looks for falling edges. If an edge is detected, the sample clock is resynchronized to bit times. This improves the reliability of the receiver in the presence of noise or mismatched baud rates. It does not improve worst case analysis because some characters do not have any extra falling edges anywhere in the character frame.

In the case of a framing error, provided the received character was not a break character, the sampling logic that searches for a falling edge is filled with three logic 1 samples so that a new start bit can be detected almost immediately.

In the case of a framing error, the receiver is inhibited from receiving any new characters until the framing error flag is cleared. The receive shift register continues to function, but a complete character cannot transfer to the receive data buffer if UART_S1[FE] remains set.

38.3.3.2 Receiver wakeup operation

Receiver wakeup is a hardware mechanism that allows an UART receiver to ignore the characters in a message intended for a different UART receiver. In such a system, all receivers evaluate the first character(s) of each message, and as soon as they determine the message is intended for a different receiver, they write logic 1 to the receiver wake up control bit(UART_C2[RWU]). When RWU bit is set, the status flags associated with the receiver, with the exception of the idle bit, IDLE, when UART_S2[RWUID] bit is set, are inhibited from setting, thus eliminating the software overhead for handling the unimportant message characters. At the end of a message, or at the beginning of the next message, all receivers automatically force UART_C2[RWU] to 0 so all receivers wake up in time to look at the first character(s) of the next message.

38.3.3.2.1 Idle-line wakeup

When wake is cleared, the receiver is configured for idle-line wakeup. In this mode, UART_C2[RWU] is cleared automatically when the receiver detects a full character time of the idle-line level. The UART_C1[M] control bit selects 8-bit or 9-bit data mode and the UART_BDH[SBNS] bit selects 1-bit or 2-bit stop bit number that determines how many bit times of idle are needed to constitute a full character time, 10 or 11 or 12 bit times because of the start and stop bits.

When UARTI_C2[RWU] is one and UART_S2[RWUID] is zero, the idle condition that wakes up the receiver does not set the UART_S1[IDLE] flag. The receiver wakes up and waits for the first data character of the next message that sets the UART_S1[RDRF] flag and generates an interrupt if enabled. When UART_S2[RWUID] is one, any idle condition sets the UART_S1[IDLE] flag and generates an interrupt if enabled, regardless of whether UART_C2[RWU] is zero or one.

The idle-line type (UART_C1[ILT]) control bit selects one of two ways to detect an idle line. When UART_C1[ILT] is cleared, the idle bit counter starts after the start bit so the stop bit and any logic 1s at the end of a character count toward the full character time of idle. When UART_C1[ILT] is set, the idle bit counter does not start until after a stop bit time, so the idle detection is not affected by the data in the last character of the previous message.

38.3.3.2.2 Address-mark wakeup

When wake is set, the receiver is configured for address-mark wakeup. In this mode, UART_C2[RWU] is cleared automatically when the receiver detects a, or two, if UART_BDH[SBNS] = 1, logic 1 in the most significant bits of a received character, eighth bit when UART_C1[M] is cleared and ninth bit when UART_C1[M] is set.

Address-mark wakeup allows messages to contain idle characters, but requires the msb be reserved for use in address frames. The one, or two, if `UART_BDH[SBNS] = 1`, logic 1s msb of an address frame clears the `UART_C2[RWU]` bit before the stop bits are received and sets the `UART_S1[RDRF]` flag. In this case, the character with the msb set is received even though the receiver was sleeping during most of this character time.

38.3.4 Interrupts and status flags

The UART system has three separate interrupt vectors to reduce the amount of software needed to isolate the cause of the interrupt. One interrupt vector is associated with the transmitter for `UART_S1[TDRE]` and `UART_S1[TC]` events. Another interrupt vector is associated with the receiver for `RDRF`, `IDLE`, `RXEDGIF`, and `LBKDIF` events. A third vector is used for `OR`, `NF`, `FE`, and `PF` error conditions. Each of these ten interrupt sources can be separately masked by local interrupt enable masks. The flags can be polled by software when the local masks are cleared to disable generation of hardware interrupt requests.

The UART transmitter has two status flags that can optionally generate hardware interrupt requests. Transmit data register empty (`UART_S1[TDRE]`) indicates when there is room in the transmit data buffer to write another transmit character to `UART_D`. If the transmit interrupt enable (`UART_C2[TIE]`) bit is set, a hardware interrupt is requested when `UART_S1[TDRE]` is set. Transmit complete (`UART_S1[TC]`) indicates that the transmitter is finished transmitting all data, preamble, and break characters and is idle with `TxD` at the inactive level. This flag is often used in systems with modems to determine when it is safe to turn off the modem. If the transmit complete interrupt enable (`UART_C2[TCIE]`) bit is set, a hardware interrupt is requested when `UART_S1[TC]` is set. Instead of hardware interrupts, software polling may be used to monitor the `UART_S1[TDRE]` and `UART_S1[TC]` status flags if the corresponding `UART_C2[TIE]` or `UART_C2[TCIE]` local interrupt masks are cleared.

When a program detects that the receive data register is full (`UART_S1[RDRF] = 1`), it gets the data from the receive data register by reading `UART_D`. The `UART_S1[RDRF]` flag is cleared by reading `UART_S1` while `UART_S1[RDRF]` is set and then reading `UART_D`.

When polling is used, this sequence is naturally satisfied in the normal course of the user program. If hardware interrupts are used, `UART_S1` must be read in the interrupt service routine (ISR). Normally, this is done in the ISR anyway to check for receive errors, so the sequence is automatically satisfied.

The IDLE status flag includes logic that prevents it from getting set repeatedly when the RxD line remains idle for an extended period of time. IDLE is cleared by reading UART_S1 while UART_S1[IDLE] is set and then reading UART_D. After UART_S1[IDLE] has been cleared, it cannot become set again until the receiver has received at least one new character and has set UART_S1[RDRF].

If the associated error was detected in the received character that caused UART_S1[RDRF] to be set, the error flags - noise flag (UART_S1[NF]), framing error (UART_S1[FE]), and parity error flag (UART_S1[PF]) - are set at the same time as UART_S1[RDRF]. These flags are not set in overrun cases.

If UART_S1[RDRF] was already set when a new character is ready to be transferred from the receive shifter to the receive data buffer, the overrun (UART_S1[OR]) flag is set instead of the data along with any associated NF, FE, or PF condition is lost.

At any time, an active edge on the RxD serial data input pin causes the UART_S2[RXEDGIF] flag to set. The UART_S2[RXEDGIF] flag is cleared by writing a 1 to it. This function depends on the receiver being enabled (UART_C2[RE] = 1).

38.3.5 Baud rate tolerance

A transmitting device may operate at a baud rate below or above that of the receiver. Accumulated bit time misalignment can cause one of the three stop bit data samples (RT8, RT9, and RT10) to fall outside the actual stop bit. A noise error will occur if the RT8, RT9, and RT10 samples are not all the same logical values. A framing error will occur if the receiver clock is misaligned in such a way that the majority of the RT8, RT9, and RT10 stop bit samples are a logic zero.

As the receiver samples an incoming frame, it re-synchronizes the RT clock on any valid falling edge within the frame. Resynchronization within frames will correct a misalignment between transmitter bit times and receiver bit times.

38.3.5.1 Slow data tolerance

[Figure 38-31](#) shows how much a slow received frame can be misaligned without causing a noise error or a framing error. The slow stop bit begins at RT8 instead of RT1 but arrives in time for the stop bit data samples at RT8, RT9, and RT10.

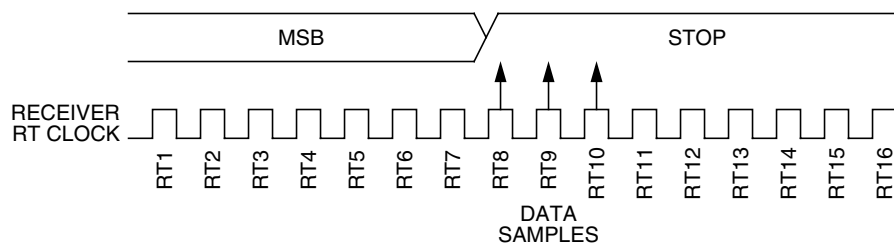


Figure 38-31. Slow data

For an 8-bit data and 1 stop bit character, data sampling of the stop bit takes the receiver 9 bit times x 16 RT cycles + 10 RT cycles = 154 RT cycles.

With the misaligned character shown in Figure 10-13, the receiver counts 154 RT cycles at the point when the count of the transmitting device is 9 bit times x 16 RT cycles + 3 RT cycles = 147 RT cycles.

The maximum percent difference between the receiver count and the transmitter count of a slow 8-bit data and 1 stop bit character with no errors is:

$$((154 - 147) / 154) \times 100 = 4.54\%$$

For a 9-bit data or 2 stop bits character, data sampling of the stop bit takes the receiver 10 bit times x 16 RT cycles + 10 RT cycles = 170 RT cycles.

With the misaligned character shown in, the receiver counts 170 RT cycles at the point when the count of the transmitting device is 10 bit times x 16 RT cycles + 3 RT cycles = 163 RT cycles.

The maximum percent difference between the receiver count and the transmitter count of a slow 9-bit or 2 stop bits character with no errors is:

$$((170 - 163) / 170) \times 100 = 4.12\%$$

For a 9-bit data and 2 stop bit character, data sampling of the stop bit takes the receiver 11 bit times x 16 RT cycles + 10 RT cycles = 186 RT cycles.

With the misaligned character shown in, the receiver counts 186 RT cycles at the point when the count of the transmitting device is 11 bit times x 16 RT cycles + 3 RT cycles = 179 RT cycles.

The maximum percent difference between the receiver count and the transmitter count of a slow 9-bit and 2 stop bits character with no errors is: $((186 - 179) / 186) \times 100 = 3.76\%$

38.3.5.2 Fast data tolerance

Figure 38-32 shows how much a fast received frame can be misaligned. The fast stop bit ends at RT10 instead of RT16 but is still sampled at RT8, RT9, and RT10.

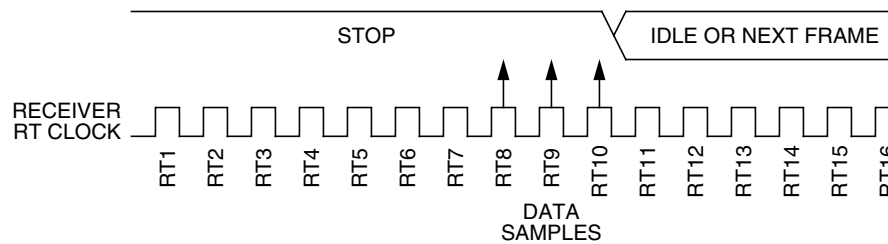


Figure 38-32. Fast data

For an 8-bit data and 1 stop bit character, data sampling of the stop bit takes the receiver 9 bit times x 16 RT cycles + 10 RT cycles = 154 RT cycles.

With the misaligned character shown in [Figure 38-32](#), the receiver counts 154 RT cycles at the point when the count of the transmitting device is 10 bit times x 16 RT cycles = 160 RT cycles.

The maximum percent difference between the receiver count and the transmitter count of a fast 8-bit and 1 stop bit character with no errors is:

$$((154 - 160) / 154) \times 100 = 3.90\%$$

For a 9-bit data or 2 stop bits character, data sampling of the stop bit takes the receiver 10 bit times x 16 RT cycles + 10 RT cycles = 170 RT cycles.

With the misaligned character shown in, the receiver counts 170 RT cycles at the point when the count of the transmitting device is 11 bit times x 16 RT cycles = 176 RT cycles.

The maximum percent difference between the receiver count and the transmitter count of a fast 9-bit or 2 stop bits character with no errors is:

$$((170 - 176) / 170) \times 100 = 3.53\%$$

For a 9-bit data and 2 stop bits character, data sampling of the stop bit takes the receiver 11 bit times x 16 RT cycles + 10 RT cycles = 186 RT cycles.

With the misaligned character shown in, the receiver counts 186 RT cycles at the point when the count of the transmitting device is 12 bit times x 16 RT cycles = 192 RT cycles.

The maximum percent difference between the receiver count and the transmitter count of a fast 9-bit and 2 stop bits character with no errors is:

$$((186 - 192) / 186) \times 100 = 3.23\%$$

38.3.6 DMA Operation

In the transmitter, flags TDRE and TC can be configured to assert a DMA transfer request. In the receiver, flags RDRF, IDLE and LBKDIF can be configured to assert a DMA transfer request. The following table shows the configuration bit settings required to configure each flag for DMA operation.

Table 38-32. DMA configuration

Flag	Request enable bit	DMA select bit
TDRE	TIE = 1	TDMAS = 1
TC	TCIE = 1	TCDMAS = 1
RDRF	RIE = 1	RDMAS = 1
IDLE	ILIE = 1	ILDMA = 1
LBKDIF	LBKDIE = 1	LBKDDMAS = 1

When a flag is configured for a DMA request, its associated DMA request is asserted when the flag is set. When the RDRF or IDLE flag is configured as a DMA request, the clearing mechanism of reading UART_S1 followed by reading UART_D does not clear the associated flag. The DMA request remains asserted until an indication is received that the DMA transactions are done. When this indication is received, the flag bit and the associated DMA request are cleared. If the DMA operation failed to remove the situation that caused the DMA request another request will be issued.

38.3.7 Additional UART functions

The following sections describe additional UART functions.

38.3.7.1 8- and 9-bit data modes

The UART system, transmitter and receiver, can be configured to operate in 9-bit data mode by setting the UART_C1[M]. In 9-bit mode, there is a ninth data bit to the left of the msb of the UART data register. For the transmit data buffer, this bit is stored in T8 in UART_C3. For the receiver, the ninth bit is held in UART_C3[R8].

For coherent writes to the transmit data buffer, write to the UART_C3[T8] bit before writing to UART_D.

If the bit value to be transmitted as the ninth bit of a new character is the same as for the previous character, it is not necessary to write to UART_C3[T8] again. When data is transferred from the transmit data buffer to the transmit shifter, the value in UART_C3[T8] is copied at the same time data is transferred from UART_D to the shifter.

The 9-bit data mode is typically used with parity to allow eight bits of data plus the parity in the ninth bit, or it is used with address-mark wakeup so the ninth data bit can serve as the wakeup bit. In custom protocols, the ninth bit can also serve as a software-controlled marker.

38.3.7.2 Stop mode operation

During all stop modes, clocks to the UART module are halted.

No UART module registers are affected in Stop3 mode.

The receive input active edge detect circuit remains active in Stop3 mode. An active edge on the receive input brings the CPU out of stop and VLPS mode if the interrupt is not masked (UART_BDH[RXEDGIE] = 1).

Because the clocks are halted, the UART module resumes operation upon exit from stop, only in stop and VLPS mode. Software must ensure stop mode is not entered while there is a character being transmitted out of or received into the UART module.

38.3.7.3 Loop mode

When UART_C1[LOOPS] is set, the UART_C1[RSRC] bit in the same register chooses between loop mode (UART_C1[RSRC] = 0) or single-wire mode (UART_C1[RSRC] = 1). Loop mode is sometimes used to check software, independent of connections in the external system, to help isolate system problems. In this mode, the internal loop back connection from the transmitter to the receiver causes the receiver to receive characters that are sent out by the transmitter.

38.3.7.4 Single-wire operation

When UART_C1[LOOPS] is set, the RSRC bit in the same register chooses between loop mode (UART_C1[RSRC] = 0) or single-wire mode (UART_C1[RSRC] = 1). Single-wire mode implements a half-duplex serial connection. The receiver is internally connected to the transmitter output and to the TxD pin. The RxD pin is not used and reverts to a general-purpose port I/O pin.

In single-wire mode, the UART_C3[TXDIR] bit controls the direction of serial data on the TxD pin. When UART_C3[TXDIR] is cleared, the TxD pin is an input to the UART receiver and the transmitter is temporarily disconnected from the TxD pin so an external device can send serial data to the receiver. When UART_C3[TXDIR] is set, the TxD pin is an output driven by the transmitter. In single-wire mode, the transmitter output is internally connected to the receiver input and the RxD pin is not used by the UART, so it reverts to a general-purpose port I/O pin.

Chapter 39

Integrated Interchip Sound (I2S) / Synchronous Audio Interface (SAI)

39.1 Introduction

NOTE

For the chip-specific implementation details of this module's instances, see the chip configuration information.

The I²S (or I2S) module provides a synchronous audio interface (SAI) that supports full-duplex serial interfaces with frame synchronization such as I²S, AC97, TDM, and codec/DSP interfaces.

39.1.1 Features

- Transmitter with independent bit clock and frame sync supporting 1 data channel
- Receiver with independent bit clock and frame sync supporting 1 data channel
- Maximum Frame Size of 2 words
- Word size of between 8-bits and 32-bits
- Word size configured separately for first word and remaining words in frame
- Asynchronous 1 × 32-bit FIFO for each transmit and receive channel
- Supports graceful restart after FIFO error

39.1.2 Block diagram

The following block diagram also shows the module clocks.

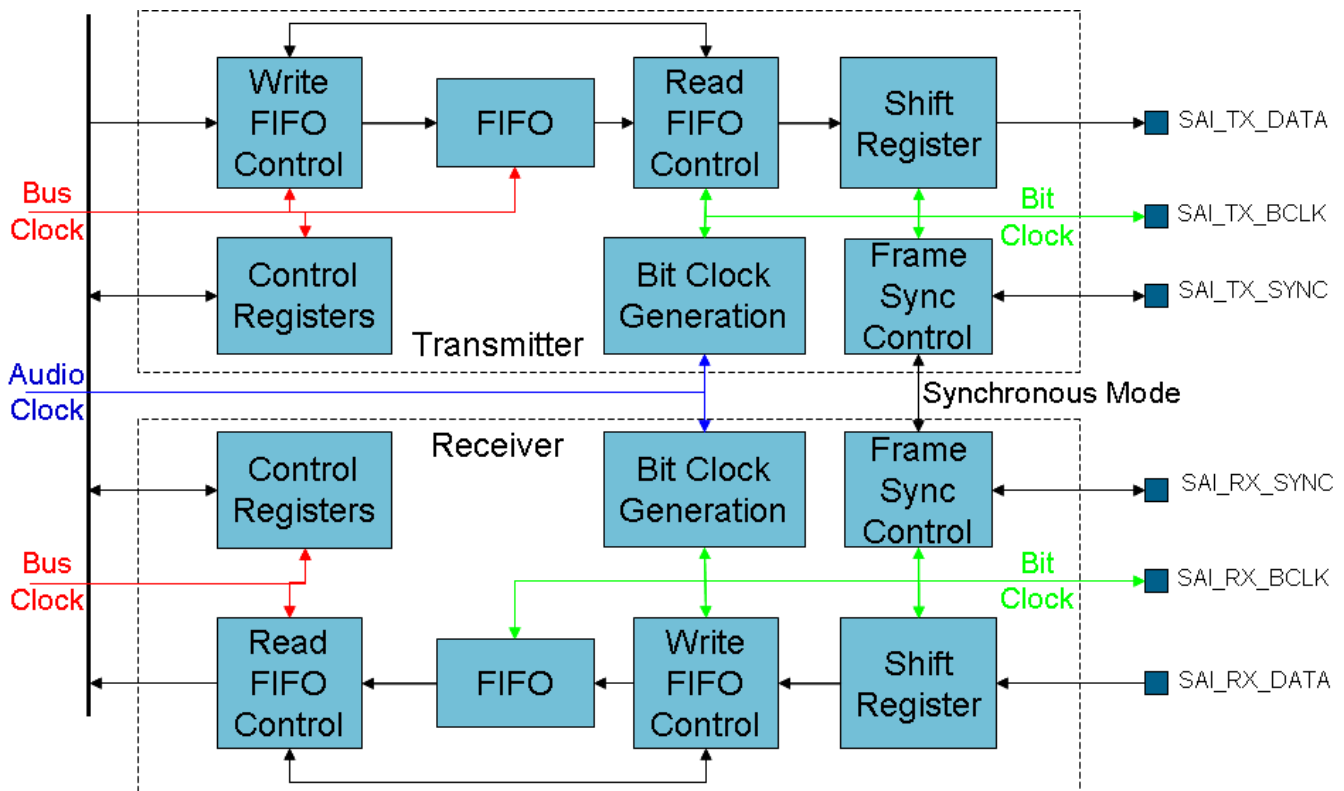


Figure 39-1. I²S/SAI block diagram

39.1.3 Modes of operation

The module operates in these MCU power modes: Run mode, stop modes, low-leakage modes, and Debug mode.

39.1.3.1 Run mode

In Run mode, the SAI transmitter and receiver operate normally.

39.1.3.2 Stop modes

In Stop mode, the SAI transmitter and/or receiver can continue operating provided the appropriate Stop Enable bit is set (TCSR[STOPE] and/or RCSR[STOPE], respectively), and provided the transmitter and/or receiver is/are using an externally generated bit clock or an Audio Master Clock that remains operating in Stop mode. The SAI transmitter and/or receiver can generate an asynchronous interrupt to wake the CPU from Stop mode.

In Stop mode, if the Transmitter Stop Enable (TCSR[STOPE]) bit is clear, the transmitter is disabled after completing the current transmit frame, and, if the Receiver Stop Enable (RCSR[STOPE]) bit is clear, the receiver is disabled after completing the current receive frame. Entry into Stop mode is prevented—not acknowledged—while waiting for the transmitter and receiver to be disabled at the end of the current frame.

39.1.3.3 Low-leakage modes

When entering low-leakage modes, the Stop Enable (TCSR[STOPE] and RCSR[STOPE]) bits are ignored and the SAI is disabled after completing the current transmit and receive Frames. Entry into stop mode is prevented (not acknowledged) while waiting for the transmitter and receiver to be disabled at the end of the current frame.

39.1.3.4 Debug mode

In Debug mode, the SAI transmitter and/or receiver can continue operating provided the Debug Enable bit is set. When TCSR[DBGE] or RCSR[DBGE] bit is clear and Debug mode is entered, the SAI is disabled after completing the current transmit or receive frame. The transmitter and receiver bit clocks are not affected by Debug mode.

39.2 External signals

Name	Function	I/O	Reset	Pull
SAI_TX_BCLK	Transmit Bit Clock	I/O	0	—
SAI_TX_SYNC	Transmit Frame Sync	I/O	0	—
SAI_TX_DATA	Transmit Data	O	0	—
SAI_RX_BCLK	Receive Bit Clock	I/O	0	—
SAI_RX_SYNC	Receive Frame Sync	I/O	0	—
SAI_RX_DATA	Receive Data	I	0	—
SAI_MCLK	Audio Master Clock	I/O	0	—

39.3 Memory map and register definition

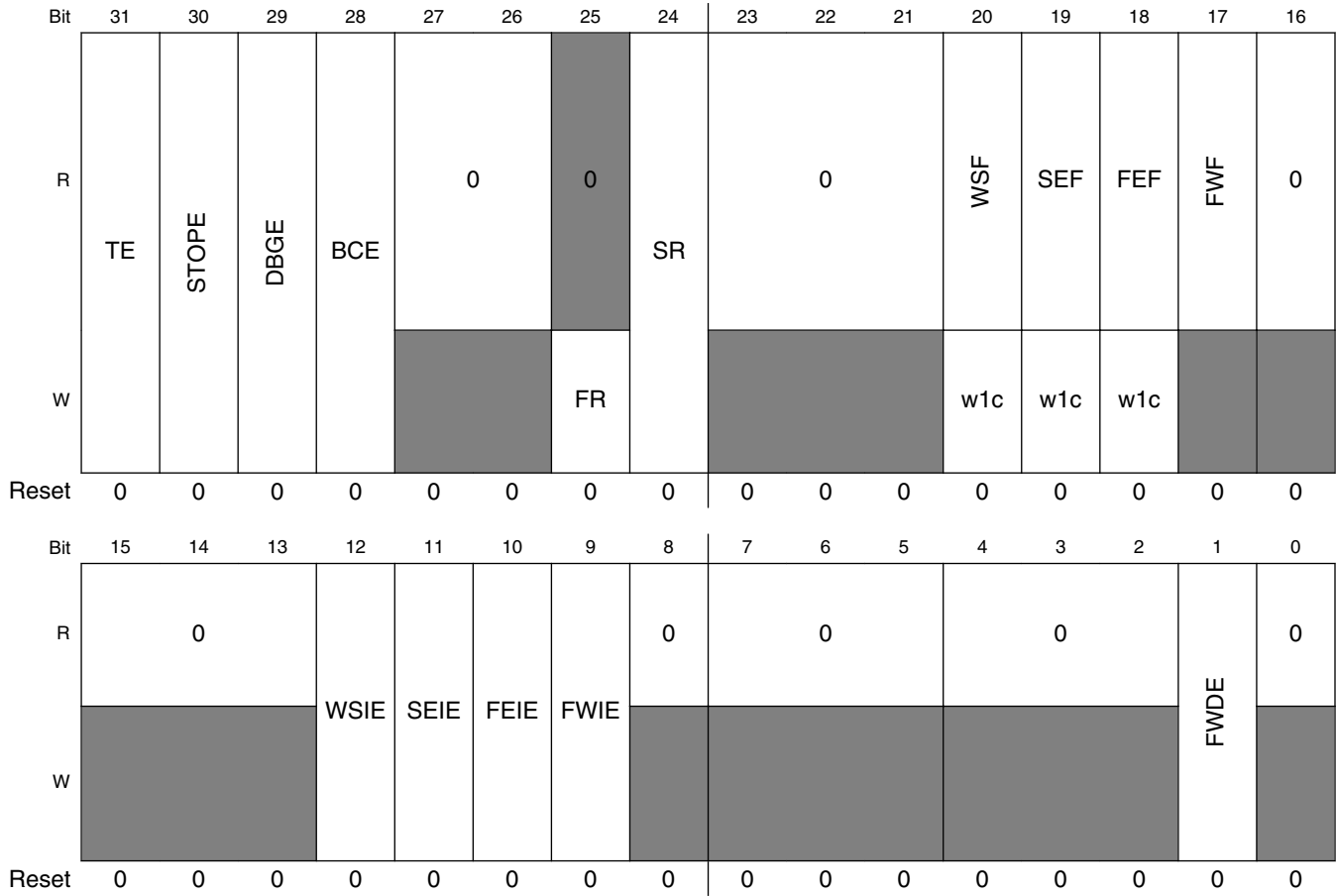
A read or write access to an address after the last register will result in a bus error.

I2S memory map

Absolute address (hex)	Register name	Width (in bits)	Access	Reset value	Section/page
4002_F000	SAI Transmit Control Register (I2S0_TCSR)	32	R/W	0000_0000h	39.3.1/749
4002_F008	SAI Transmit Configuration 2 Register (I2S0_TCR2)	32	R/W	0000_0000h	39.3.2/752
4002_F00C	SAI Transmit Configuration 3 Register (I2S0_TCR3)	32	R/W	0000_0000h	39.3.3/754
4002_F010	SAI Transmit Configuration 4 Register (I2S0_TCR4)	32	R/W	0000_0000h	39.3.4/755
4002_F014	SAI Transmit Configuration 5 Register (I2S0_TCR5)	32	R/W	0000_0000h	39.3.5/756
4002_F020	SAI Transmit Data Register (I2S0_TDR0)	32	W (always reads 0)	0000_0000h	39.3.6/757
4002_F060	SAI Transmit Mask Register (I2S0_TMR)	32	R/W	0000_0000h	39.3.7/757
4002_F080	SAI Receive Control Register (I2S0_RCSR)	32	R/W	0000_0000h	39.3.8/758
4002_F088	SAI Receive Configuration 2 Register (I2S0_RCR2)	32	R/W	0000_0000h	39.3.9/761
4002_F08C	SAI Receive Configuration 3 Register (I2S0_RCR3)	32	R/W	0000_0000h	39.3.10/ 763
4002_F090	SAI Receive Configuration 4 Register (I2S0_RCR4)	32	R/W	0000_0000h	39.3.11/ 764
4002_F094	SAI Receive Configuration 5 Register (I2S0_RCR5)	32	R/W	0000_0000h	39.3.12/ 765
4002_F0A0	SAI Receive Data Register (I2S0_RDR0)	32	R	0000_0000h	39.3.13/ 766
4002_F0E0	SAI Receive Mask Register (I2S0_RMR)	32	R/W	0000_0000h	39.3.14/ 766
4002_F100	SAI MCLK Control Register (I2S0_MCR)	32	R/W	0000_0000h	39.3.15/ 767
4002_F104	SAI MCLK Divide Register (I2S0_MDR)	32	R/W	0000_0000h	39.3.16/ 768

39.3.1 SAI Transmit Control Register (I2Sx_TCSR)

Address: 4002_F000h base + 0h offset = 4002_F000h



I2Sx_TCSR field descriptions

Field	Description
31 TE	<p>Transmitter Enable</p> <p>Enables/disables the transmitter. When software clears this field, the transmitter remains enabled, and this bit remains set, until the end of the current frame.</p> <p>0 Transmitter is disabled. 1 Transmitter is enabled, or transmitter has been disabled and has not yet reached end of frame.</p>
30 STOPE	<p>Stop Enable</p> <p>Configures transmitter operation in Stop mode. This field is ignored and the transmitter is disabled in all low-leakage stop modes.</p> <p>0 Transmitter disabled in Stop mode. 1 Transmitter enabled in Stop mode.</p>
29 DBGE	<p>Debug Enable</p>

Table continues on the next page...

I2Sx_TCSR field descriptions (continued)

Field	Description
	Enables/disables transmitter operation in Debug mode. The transmit bit clock is not affected by debug mode. 0 Transmitter is disabled in Debug mode, after completing the current frame. 1 Transmitter is enabled in Debug mode.
28 BCE	Bit Clock Enable Enables the transmit bit clock, separately from the TE. This field is automatically set whenever TE is set. When software clears this field, the transmit bit clock remains enabled, and this bit remains set, until the end of the current frame. 0 Transmit bit clock is disabled. 1 Transmit bit clock is enabled.
27–26 Reserved	This field is reserved. This read-only field is reserved and always has the value 0.
25 FR	FIFO Reset Resets the FIFO pointers. Reading this field will always return zero. FIFO pointers should only be reset when the transmitter is disabled or the FIFO error flag is set. 0 No effect. 1 FIFO reset.
24 SR	Software Reset When set, resets the internal transmitter logic including the FIFO pointers. Software-visible registers are not affected, except for the status registers. 0 No effect. 1 Software reset.
23–21 Reserved	This field is reserved. This read-only field is reserved and always has the value 0.
20 WSF	Word Start Flag Indicates that the start of the configured word has been detected. Write a logic 1 to this field to clear this flag. 0 Start of word not detected. 1 Start of word detected.
19 SEF	Sync Error Flag Indicates that an error in the externally-generated frame sync has been detected. Write a logic 1 to this field to clear this flag. 0 Sync error not detected. 1 Frame sync error detected.
18 FEF	FIFO Error Flag Indicates that an enabled transmit FIFO has underrun. Write a logic 1 to this field to clear this flag. 0 Transmit underrun not detected. 1 Transmit underrun detected.

Table continues on the next page...

I2Sx_TCSR field descriptions (continued)

Field	Description
17 FWF	FIFO Warning Flag Indicates that an enabled transmit FIFO is empty. 0 No enabled transmit FIFO is empty. 1 Enabled transmit FIFO is empty.
16 Reserved	This field is reserved. This read-only field is reserved and always has the value 0.
15–13 Reserved	This field is reserved. This read-only field is reserved and always has the value 0.
12 WSIE	Word Start Interrupt Enable Enables/disables word start interrupts. 0 Disables interrupt. 1 Enables interrupt.
11 SEIE	Sync Error Interrupt Enable Enables/disables sync error interrupts. 0 Disables interrupt. 1 Enables interrupt.
10 FEIE	FIFO Error Interrupt Enable Enables/disables FIFO error interrupts. 0 Disables the interrupt. 1 Enables the interrupt.
9 FWIE	FIFO Warning Interrupt Enable Enables/disables FIFO warning interrupts. 0 Disables the interrupt. 1 Enables the interrupt.
8 Reserved	This field is reserved. This read-only field is reserved and always has the value 0.
7–5 Reserved	This field is reserved. This read-only field is reserved and always has the value 0.
4–2 Reserved	This field is reserved. This read-only field is reserved and always has the value 0.
1 FWDE	FIFO Warning DMA Enable Enables/disables DMA requests. 0 Disables the DMA request. 1 Enables the DMA request.
0 Reserved	This field is reserved. This read-only field is reserved and always has the value 0.

I2Sx_TCR2 field descriptions (continued)

Field	Description
27–26 MSEL	<p>MCLK Select</p> <p>Selects the audio Master Clock option used to generate an internally generated bit clock. This field has no effect when configured for an externally generated bit clock.</p> <p>NOTE: Depending on the device, some Master Clock options might not be available. See the chip configuration details for the availability and chip-specific meaning of each option.</p> <p>00 Bus Clock selected. 01 Master Clock (MCLK) 1 option selected. 10 Master Clock (MCLK) 2 option selected. 11 Master Clock (MCLK) 3 option selected.</p>
25 BCP	<p>Bit Clock Polarity</p> <p>Configures the polarity of the bit clock.</p> <p>0 Bit clock is active high with drive outputs on rising edge and sample inputs on falling edge. 1 Bit clock is active low with drive outputs on falling edge and sample inputs on rising edge.</p>
24 BCD	<p>Bit Clock Direction</p> <p>Configures the direction of the bit clock.</p> <p>0 Bit clock is generated externally in Slave mode. 1 Bit clock is generated internally in Master mode.</p>
23–8 Reserved	<p>This field is reserved. This read-only field is reserved and always has the value 0.</p>
7–0 DIV	<p>Bit Clock Divide</p> <p>Divides down the audio master clock to generate the bit clock when configured for an internal bit clock. The division value is $(DIV + 1) * 2$.</p>

39.3.3 SAI Transmit Configuration 3 Register (I2Sx_TCR3)

This register must not be altered when TCSR[TE] is set.

Address: 4002_F000h base + Ch offset = 4002_F00Ch

Bit	31	30	29	28	27	26	25	24	23	22	21	20	19	18	17	16	
R	0								0								TCE
W	[Shaded]																
Reset	0	0	0	0	0	0	0	0	0	0	0	0	0	0	0	0	
Bit	15	14	13	12	11	10	9	8	7	6	5	4	3	2	1	0	
R	0																WDFL
W	[Shaded]																
Reset	0	0	0	0	0	0	0	0	0	0	0	0	0	0	0	0	

I2Sx_TCR3 field descriptions

Field	Description
31–24 Reserved	This field is reserved. This read-only field is reserved and always has the value 0.
23–17 Reserved	This field is reserved. This read-only field is reserved and always has the value 0.
16 TCE	Transmit Channel Enable Enables the corresponding data channel for transmit operation. A channel must be enabled before its FIFO is accessed. 0 Transmit data channel N is disabled. 1 Transmit data channel N is enabled.
15–1 Reserved	This field is reserved. This read-only field is reserved and always has the value 0.
0 WDFL	Word Flag Configuration Configures which word sets the start of word flag. The value written must be one less than the word number. For example, writing 0 configures the first word in the frame. When configured to a value greater than TCR4[FRSZ], then the start of word flag is never set.

39.3.4 SAI Transmit Configuration 4 Register (I2Sx_TCR4)

This register must not be altered when TCSR[TE] is set.

Address: 4002_F000h base + 10h offset = 4002_F010h

Bit	31	30	29	28	27	26	25	24	23	22	21	20	19	18	17	16
R	0			0	0		0		0							FRSZ
W	[Reserved]															
Reset	0	0	0	0	0	0	0	0	0	0	0	0	0	0	0	0
Bit	15	14	13	12	11	10	9	8	7	6	5	4	3	2	1	0
R	0			SYWD				0			MF	FSE	0	FSP	FSD	
W	[Reserved]			[Reserved]				[Reserved]			[Reserved]	[Reserved]	[Reserved]	[Reserved]	[Reserved]	
Reset	0	0	0	0	0	0	0	0	0	0	0	0	0	0	0	0

I2Sx_TCR4 field descriptions

Field	Description
31–29 Reserved	This field is reserved. This read-only field is reserved and always has the value 0.
28 Reserved	This field is reserved. This read-only field is reserved and always has the value 0.
27–26 Reserved	This field is reserved. This read-only field is reserved and always has the value 0.
25–24 Reserved	This field is reserved. This read-only field is reserved and always has the value 0.
23–17 Reserved	This field is reserved. This read-only field is reserved and always has the value 0.
16 FRSZ	Frame size Configures the number of words in each frame. The value written must be one less than the number of words in the frame. For example, write 0 for one word per frame. The maximum supported frame size is 2 words.
15–13 Reserved	This field is reserved. This read-only field is reserved and always has the value 0.
12–8 SYWD	Sync Width Configures the length of the frame sync in number of bit clocks. The value written must be one less than the number of bit clocks. For example, write 0 for the frame sync to assert for one bit clock only. The sync width cannot be configured longer than the first word of the frame.
7–5 Reserved	This field is reserved. This read-only field is reserved and always has the value 0.
4 MF	MSB First Configures whether the LSB or the MSB is transmitted first. 0 LSB is transmitted first. 1 MSB is transmitted first.

Table continues on the next page...

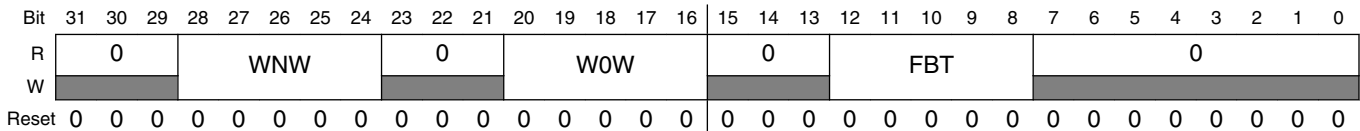
I2Sx_TCR4 field descriptions (continued)

Field	Description
3 FSE	Frame Sync Early 0 Frame sync asserts with the first bit of the frame. 1 Frame sync asserts one bit before the first bit of the frame.
2 Reserved	This field is reserved. This read-only field is reserved and always has the value 0.
1 FSP	Frame Sync Polarity Configures the polarity of the frame sync. 0 Frame sync is active high. 1 Frame sync is active low.
0 FSD	Frame Sync Direction Configures the direction of the frame sync. 0 Frame sync is generated externally in Slave mode. 1 Frame sync is generated internally in Master mode.

39.3.5 SAI Transmit Configuration 5 Register (I2Sx_TCR5)

This register must not be altered when TCSR[TE] is set.

Address: 4002_F000h base + 14h offset = 4002_F014h



I2Sx_TCR5 field descriptions

Field	Description
31–29 Reserved	This field is reserved. This read-only field is reserved and always has the value 0.
28–24 WNW	Word N Width Configures the number of bits in each word, for each word except the first in the frame. The value written must be one less than the number of bits per word. Word width of less than 8 bits is not supported.
23–21 Reserved	This field is reserved. This read-only field is reserved and always has the value 0.
20–16 WOW	Word 0 Width Configures the number of bits in the first word in each frame. The value written must be one less than the number of bits in the first word. Word width of less than 8 bits is not supported if there is only one word per frame.
15–13 Reserved	This field is reserved. This read-only field is reserved and always has the value 0.

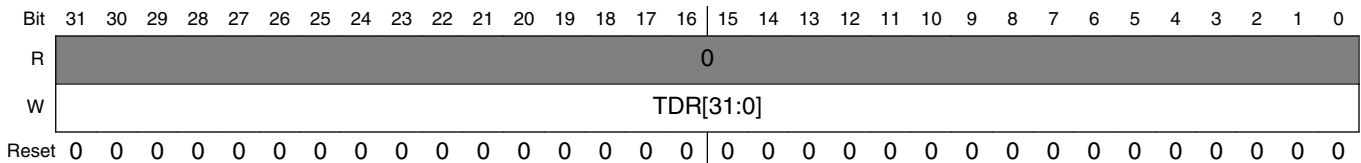
Table continues on the next page...

I2Sx_TCR5 field descriptions (continued)

Field	Description
12–8 FBT	First Bit Shifted Configures the bit index for the first bit transmitted for each word in the frame. If configured for MSB First, the index of the next bit transmitted is one less than the current bit transmitted. If configured for LSB First, the index of the next bit transmitted is one more than the current bit transmitted. The value written must be greater than or equal to the word width when configured for MSB First. The value written must be less than or equal to 31-word width when configured for LSB First.
7–0 Reserved	This field is reserved. This read-only field is reserved and always has the value 0.

39.3.6 SAI Transmit Data Register (I2Sx_TDRn)

Address: 4002_F000h base + 20h offset + (4d × i), where i=0d to 0d



I2Sx_TDRn field descriptions

Field	Description
31–0 TDR[31:0]	Transmit Data Register The corresponding TCR3[TCE] bit must be set before accessing the channel's transmit data register. Writes to this register when the transmit FIFO is not full will push the data written into the transmit data FIFO. Writes to this register when the transmit FIFO is full are ignored.

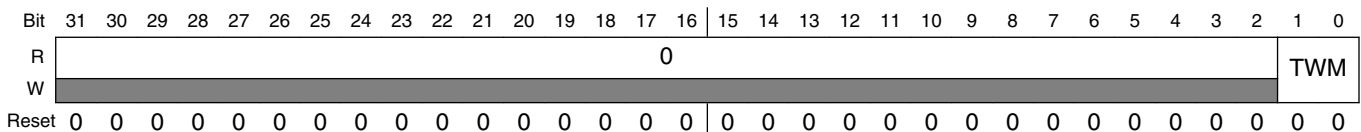
39.3.7 SAI Transmit Mask Register (I2Sx_TMR)

This register is double-buffered and updates:

1. When TCSR[TE] is first set
2. At the end of each frame.

This allows the masked words in each frame to change from frame to frame.

Address: 4002_F000h base + 60h offset = 4002_F060h

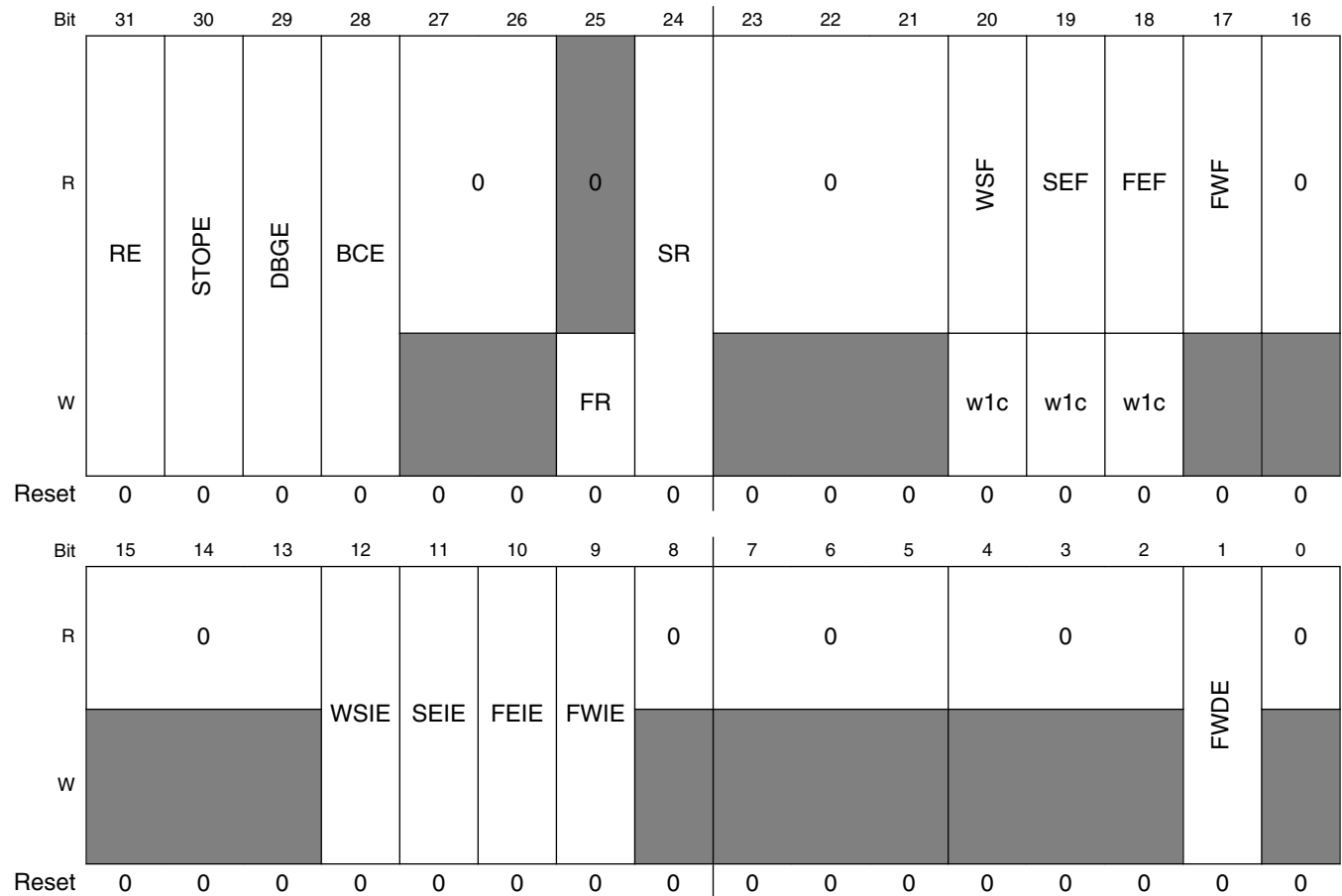


I2Sx_TMR field descriptions

Field	Description
31–2 Reserved	This field is reserved. This read-only field is reserved and always has the value 0.
1–0 TWM	Transmit Word Mask Configures whether the transmit word is masked (transmit data pin tristated and transmit data not read from FIFO) for the corresponding word in the frame. 0 Word N is enabled. 1 Word N is masked. The transmit data pins are tri-stated when masked.

39.3.8 SAI Receive Control Register (I2Sx_RCSR)

Address: 4002_F000h base + 80h offset = 4002_F080h



I2Sx_RCSR field descriptions

Field	Description
31 RE	Receiver Enable

Table continues on the next page...

I2Sx_RCSR field descriptions (continued)

Field	Description
	<p>Enables/disables the receiver. When software clears this field, the receiver remains enabled, and this bit remains set, until the end of the current frame.</p> <p>0 Receiver is disabled. 1 Receiver is enabled, or receiver has been disabled and has not yet reached end of frame.</p>
30 STOPE	<p>Stop Enable</p> <p>Configures receiver operation in Stop mode. This bit is ignored and the receiver is disabled in all low-leakage stop modes.</p> <p>0 Receiver disabled in Stop mode. 1 Receiver enabled in Stop mode.</p>
29 DBGE	<p>Debug Enable</p> <p>Enables/disables receiver operation in Debug mode. The receive bit clock is not affected by Debug mode.</p> <p>0 Receiver is disabled in Debug mode, after completing the current frame. 1 Receiver is enabled in Debug mode.</p>
28 BCE	<p>Bit Clock Enable</p> <p>Enables the receive bit clock, separately from RE. This field is automatically set whenever RE is set. When software clears this field, the receive bit clock remains enabled, and this field remains set, until the end of the current frame.</p> <p>0 Receive bit clock is disabled. 1 Receive bit clock is enabled.</p>
27–26 Reserved	<p>This field is reserved. This read-only field is reserved and always has the value 0.</p>
25 FR	<p>FIFO Reset</p> <p>Resets the FIFO pointers. Reading this field will always return zero. FIFO pointers should only be reset when the receiver is disabled or the FIFO error flag is set.</p> <p>0 No effect. 1 FIFO reset.</p>
24 SR	<p>Software Reset</p> <p>Resets the internal receiver logic including the FIFO pointers. Software-visible registers are not affected, except for the status registers.</p> <p>0 No effect. 1 Software reset.</p>
23–21 Reserved	<p>This field is reserved. This read-only field is reserved and always has the value 0.</p>
20 WSF	<p>Word Start Flag</p> <p>Indicates that the start of the configured word has been detected. Write a logic 1 to this field to clear this flag.</p> <p>0 Start of word not detected. 1 Start of word detected.</p>

Table continues on the next page...

I2Sx_RCSR field descriptions (continued)

Field	Description
19 SEF	Sync Error Flag Indicates that an error in the externally-generated frame sync has been detected. Write a logic 1 to this field to clear this flag. 0 Sync error not detected. 1 Frame sync error detected.
18 FEF	FIFO Error Flag Indicates that an enabled receive FIFO has overflowed. Write a logic 1 to this field to clear this flag. 0 Receive overflow not detected. 1 Receive overflow detected.
17 FWF	FIFO Warning Flag Indicates that an enabled receive FIFO is full. 0 No enabled receive FIFO is full. 1 Enabled receive FIFO is full.
16 Reserved	This field is reserved. This read-only field is reserved and always has the value 0.
15–13 Reserved	This field is reserved. This read-only field is reserved and always has the value 0.
12 WSIE	Word Start Interrupt Enable Enables/disables word start interrupts. 0 Disables interrupt. 1 Enables interrupt.
11 SEIE	Sync Error Interrupt Enable Enables/disables sync error interrupts. 0 Disables interrupt. 1 Enables interrupt.
10 FEIE	FIFO Error Interrupt Enable Enables/disables FIFO error interrupts. 0 Disables the interrupt. 1 Enables the interrupt.
9 FWIE	FIFO Warning Interrupt Enable Enables/disables FIFO warning interrupts. 0 Disables the interrupt. 1 Enables the interrupt.
8 Reserved	This field is reserved. This read-only field is reserved and always has the value 0.
7–5 Reserved	This field is reserved. This read-only field is reserved and always has the value 0.

Table continues on the next page...

I2Sx_RCSR field descriptions (continued)

Field	Description
4–2 Reserved	This field is reserved. This read-only field is reserved and always has the value 0.
1 FWDE	FIFO Warning DMA Enable Enables/disables DMA requests. 0 Disables the DMA request. 1 Enables the DMA request.
0 Reserved	This field is reserved. This read-only field is reserved and always has the value 0.

39.3.9 SAI Receive Configuration 2 Register (I2Sx_RCR2)

This register must not be altered when RCSR[RE] is set.

Address: 4002_F000h base + 88h offset = 4002_F088h

Bit	31	30	29	28	27	26	25	24	23	22	21	20	19	18	17	16
R									0							
W																
Reset	0	0	0	0	0	0	0	0	0	0	0	0	0	0	0	0
Bit	15	14	13	12	11	10	9	8	7	6	5	4	3	2	1	0
R	0								DIV							
W																
Reset	0	0	0	0	0	0	0	0	0	0	0	0	0	0	0	0

I2Sx_RCR2 field descriptions

Field	Description
31–30 SYNC	Synchronous Mode Configures between asynchronous and synchronous modes of operation. When configured for a synchronous mode of operation, the transmitter must be configured for asynchronous operation. 00 Asynchronous mode. 01 Synchronous with transmitter. 10 Synchronous with another SAI receiver. 11 Synchronous with another SAI transmitter.
29 BCS	Bit Clock Swap This field swaps the bit clock used by the receiver. When the receiver is configured in asynchronous mode and this bit is set, the receiver is clocked by the transmitter bit clock (SAI_TX_BCLK). This allows the transmitter and receiver to share the same bit clock, but the receiver continues to use the receiver frame sync (SAI_RX_SYNC). When the receiver is configured in synchronous mode, the transmitter BCS field and receiver BCS field must be set to the same value. When both are set, the transmitter and receiver are both clocked by the receiver bit clock (SAI_RX_BCLK) but use the transmitter frame sync (SAI_TX_SYNC).

Table continues on the next page...

I2Sx_RCR2 field descriptions (continued)

Field	Description
	0 Use the normal bit clock source. 1 Swap the bit clock source.
28 BCI	<p>Bit Clock Input</p> <p>When this field is set and using an internally generated bit clock in either synchronous or asynchronous mode, the bit clock actually used by the receiver is delayed by the pad output delay (the receiver is clocked by the pad input as if the clock was externally generated). This has the effect of decreasing the data input setup time, but increasing the data output valid time.</p> <p>The slave mode timing from the datasheet should be used for the receiver when this bit is set. In synchronous mode, this bit allows the receiver to use the slave mode timing from the datasheet, while the transmitter uses the master mode timing. This field has no effect when configured for an externally generated bit clock .</p> 0 No effect. 1 Internal logic is clocked as if bit clock was externally generated.
27–26 MSEL	<p>MCLK Select</p> <p>Selects the audio Master Clock option used to generate an internally generated bit clock. This field has no effect when configured for an externally generated bit clock.</p> <p>NOTE: Depending on the device, some Master Clock options might not be available. See the chip configuration details for the availability and chip-specific meaning of each option.</p> 00 Bus Clock selected. 01 Master Clock (MCLK) 1 option selected. 10 Master Clock (MCLK) 2 option selected. 11 Master Clock (MCLK) 3 option selected.
25 BCP	<p>Bit Clock Polarity</p> <p>Configures the polarity of the bit clock.</p> 0 Bit Clock is active high with drive outputs on rising edge and sample inputs on falling edge. 1 Bit Clock is active low with drive outputs on falling edge and sample inputs on rising edge.
24 BCD	<p>Bit Clock Direction</p> <p>Configures the direction of the bit clock.</p> 0 Bit clock is generated externally in Slave mode. 1 Bit clock is generated internally in Master mode.
23–8 Reserved	<p>This field is reserved. This read-only field is reserved and always has the value 0.</p>
7–0 DIV	<p>Bit Clock Divide</p> <p>Divides down the audio master clock to generate the bit clock when configured for an internal bit clock. The division value is $(DIV + 1) * 2$.</p>

39.3.10 SAI Receive Configuration 3 Register (I2Sx_RCR3)

This register must not be altered when RCSR[RE] is set.

Address: 4002_F000h base + 8Ch offset = 4002_F08Ch

Bit	31	30	29	28	27	26	25	24	23	22	21	20	19	18	17	16	
R	0								0								RCE
W	[Reserved]																
Reset	0	0	0	0	0	0	0	0	0	0	0	0	0	0	0	0	
Bit	15	14	13	12	11	10	9	8	7	6	5	4	3	2	1	0	
R	0																WDFL
W	[Reserved]																
Reset	0	0	0	0	0	0	0	0	0	0	0	0	0	0	0	0	

I2Sx_RCR3 field descriptions

Field	Description
31–24 Reserved	This field is reserved. This read-only field is reserved and always has the value 0.
23–17 Reserved	This field is reserved. This read-only field is reserved and always has the value 0.
16 RCE	Receive Channel Enable Enables the corresponding data channel for receive operation. A channel must be enabled before its FIFO is accessed. 0 Receive data channel N is disabled. 1 Receive data channel N is enabled.
15–1 Reserved	This field is reserved. This read-only field is reserved and always has the value 0.
0 WDFL	Word Flag Configuration Configures which word the start of word flag is set. The value written should be one less than the word number (for example, write zero to configure for the first word in the frame). When configured to a value greater than the Frame Size field, then the start of word flag is never set.

39.3.11 SAI Receive Configuration 4 Register (I2Sx_RCR4)

This register must not be altered when RCSR[RE] is set.

Address: 4002_F000h base + 90h offset = 4002_F090h

Bit	31	30	29	28	27	26	25	24	23	22	21	20	19	18	17	16	
R		0		0		0		0				0					FRSZ
W																	
Reset	0	0	0	0	0	0	0	0	0	0	0	0	0	0	0	0	0

Bit	15	14	13	12	11	10	9	8	7	6	5	4	3	2	1	0
R		0								0		MF	FSE	0	FSP	FSD
W																
Reset	0	0	0	0	0	0	0	0	0	0	0	0	0	0	0	0

I2Sx_RCR4 field descriptions

Field	Description
31–29 Reserved	This field is reserved. This read-only field is reserved and always has the value 0.
28 Reserved	This field is reserved. This read-only field is reserved and always has the value 0.
27–26 Reserved	This field is reserved. This read-only field is reserved and always has the value 0.
25–24 Reserved	This field is reserved. This read-only field is reserved and always has the value 0.
23–17 Reserved	This field is reserved. This read-only field is reserved and always has the value 0.
16 FRSZ	Frame Size Configures the number of words in each frame. The value written must be one less than the number of words in the frame. For example, write 0 for one word per frame. The maximum supported frame size is 2 words.
15–13 Reserved	This field is reserved. This read-only field is reserved and always has the value 0.
12–8 SYWD	Sync Width Configures the length of the frame sync in number of bit clocks. The value written must be one less than the number of bit clocks. For example, write 0 for the frame sync to assert for one bit clock only. The sync width cannot be configured longer than the first word of the frame.
7–5 Reserved	This field is reserved. This read-only field is reserved and always has the value 0.
4 MF	MSB First Configures whether the LSB or the MSB is received first. 0 LSB is received first. 1 MSB is received first.

Table continues on the next page...

I2Sx_RCR4 field descriptions (continued)

Field	Description
3 FSE	Frame Sync Early 0 Frame sync asserts with the first bit of the frame. 1 Frame sync asserts one bit before the first bit of the frame.
2 Reserved	This field is reserved. This read-only field is reserved and always has the value 0.
1 FSP	Frame Sync Polarity Configures the polarity of the frame sync. 0 Frame sync is active high. 1 Frame sync is active low.
0 FSD	Frame Sync Direction Configures the direction of the frame sync. 0 Frame Sync is generated externally in Slave mode. 1 Frame Sync is generated internally in Master mode.

39.3.12 SAI Receive Configuration 5 Register (I2Sx_RCR5)

This register must not be altered when RCSR[RE] is set.

Address: 4002_F000h base + 94h offset = 4002_F094h

Bit	31	30	29	28	27	26	25	24	23	22	21	20	19	18	17	16	15	14	13	12	11	10	9	8	7	6	5	4	3	2	1	0
R	0																0															
W																																
Reset	0	0	0	0	0	0	0	0	0	0	0	0	0	0	0	0	0	0	0	0	0	0	0	0	0	0	0	0	0	0	0	0

I2Sx_RCR5 field descriptions

Field	Description
31–29 Reserved	This field is reserved. This read-only field is reserved and always has the value 0.
28–24 WNW	Word N Width Configures the number of bits in each word, for each word except the first in the frame. The value written must be one less than the number of bits per word. Word width of less than 8 bits is not supported.
23–21 Reserved	This field is reserved. This read-only field is reserved and always has the value 0.
20–16 WOW	Word 0 Width Configures the number of bits in the first word in each frame. The value written must be one less than the number of bits in the first word. Word width of less than 8 bits is not supported if there is only one word per frame.
15–13 Reserved	This field is reserved. This read-only field is reserved and always has the value 0.

Table continues on the next page...

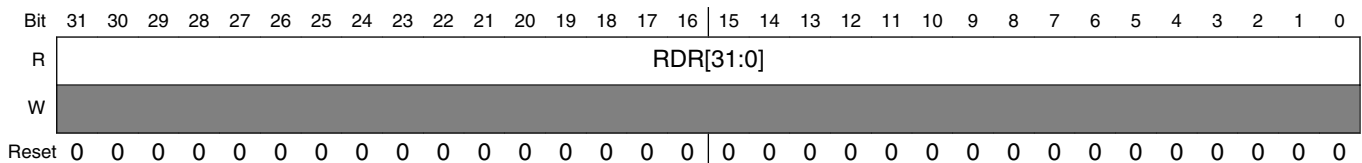
I2Sx_RCR5 field descriptions (continued)

Field	Description
12–8 FBT	First Bit Shifted Configures the bit index for the first bit received for each word in the frame. If configured for MSB First, the index of the next bit received is one less than the current bit received. If configured for LSB First, the index of the next bit received is one more than the current bit received. The value written must be greater than or equal to the word width when configured for MSB First. The value written must be less than or equal to 31-word width when configured for LSB First.
7–0 Reserved	This field is reserved. This read-only field is reserved and always has the value 0.

39.3.13 SAI Receive Data Register (I2Sx_RDRn)

Reading this register introduces one additional peripheral clock wait state on each read.

Address: 4002_F000h base + A0h offset + (4d × i), where i=0d to 0d



I2Sx_RDRn field descriptions

Field	Description
31–0 RDR[31:0]	Receive Data Register The corresponding RCR3[RCE] bit must be set before accessing the channel's receive data register. Reads from this register when the receive FIFO is not empty will return the data from the top of the receive FIFO. Reads from this register when the receive FIFO is empty are ignored.

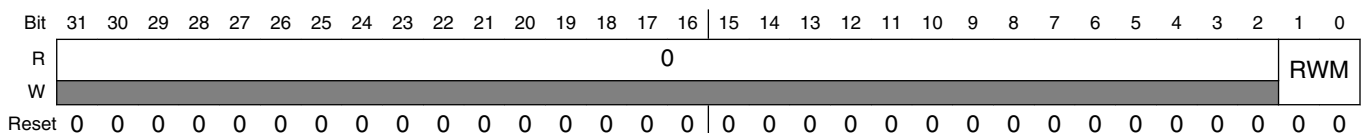
39.3.14 SAI Receive Mask Register (I2Sx_RMR)

This register is double-buffered and updates:

1. When RCSR[RE] is first set
2. At the end of each frame

This allows the masked words in each frame to change from frame to frame.

Address: 4002_F000h base + E0h offset = 4002_F0E0h



I2Sx_RMR field descriptions

Field	Description
31–2 Reserved	This field is reserved. This read-only field is reserved and always has the value 0.
1–0 RWM	Receive Word Mask Configures whether the receive word is masked (received data ignored and not written to receive FIFO) for the corresponding word in the frame. 0 Word N is enabled. 1 Word N is masked.

39.3.15 SAI MCLK Control Register (I2Sx_MCR)

The MCLK Control Register (MCR) controls the clock source and direction of the audio master clock.

Address: 4002_F000h base + 100h offset = 4002_F100h

Bit	31	30	29	28	27	26	25	24	23	22	21	20	19	18	17	16
R	DUF	MOE	0				MICS		0							
W																
Reset	0	0	0	0	0	0	0	0	0	0	0	0	0	0	0	0
Bit	15	14	13	12	11	10	9	8	7	6	5	4	3	2	1	0
R	0															
W																
Reset	0	0	0	0	0	0	0	0	0	0	0	0	0	0	0	0

I2Sx_MCR field descriptions

Field	Description
31 DUF	Divider Update Flag Provides the status of on-the-fly updates to the MCLK divider ratio. 0 MCLK divider ratio is not being updated currently. 1 MCLK divider ratio is updating on-the-fly. Further updates to the MCLK divider ratio are blocked while this flag remains set.
30 MOE	MCLK Output Enable Enables the MCLK divider and configures the MCLK signal pin as an output. When software clears this field, it remains set until the MCLK divider is fully disabled. 0 MCLK signal pin is configured as an input that bypasses the MCLK divider. 1 MCLK signal pin is configured as an output from the MCLK divider and the MCLK divider is enabled.
29–26 Reserved	This field is reserved. This read-only field is reserved and always has the value 0.

Table continues on the next page...

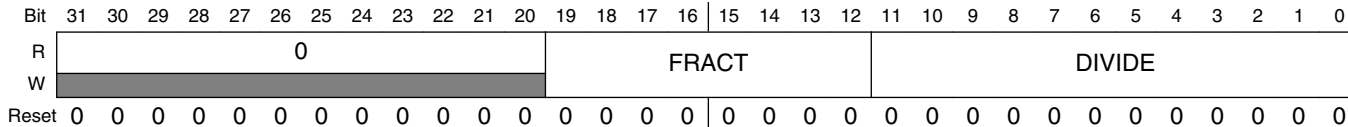
I2Sx_MCR field descriptions (continued)

Field	Description
25–24 MICS	<p>MCLK Input Clock Select</p> <p>Selects the clock input to the MCLK divider. This field cannot be changed while the MCLK divider is enabled. See the chip configuration details for information about the connections to these inputs.</p> <p>00 MCLK divider input clock 0 selected. 01 MCLK divider input clock 1 selected. 10 MCLK divider input clock 2 selected. 11 MCLK divider input clock 3 selected.</p>
23–0 Reserved	<p>This field is reserved. This read-only field is reserved and always has the value 0.</p>

39.3.16 SAI MCLK Divide Register (I2Sx_MDR)

The MCLK Divide Register (MDR) configures the MCLK divide ratio. Although the MDR can be changed when the MCLK divider clock is enabled, additional writes to the MDR are blocked while MCR[DUF] is set. Writes to the MDR when the MCLK divided clock is disabled do not set MCR[DUF].

Address: 4002_F000h base + 104h offset = 4002_F104h



I2Sx_MDR field descriptions

Field	Description
31–20 Reserved	<p>This field is reserved. This read-only field is reserved and always has the value 0.</p>
19–12 FRACT	<p>MCLK Fraction</p> <p>Sets the MCLK divide ratio such that: $MCLK\ output = MCLK\ input * ((FRACT + 1) / (DIVIDE + 1))$. FRACT must be set equal or less than the value in the DIVIDE field.</p>
11–0 DIVIDE	<p>MCLK Divide</p> <p>Sets the MCLK divide ratio such that: $MCLK\ output = MCLK\ input * ((FRACT + 1) / (DIVIDE + 1))$. FRACT must be set equal or less than the value in the DIVIDE field.</p>

39.4 Functional description

This section provides a complete functional description of the block.

39.4.1 SAI clocking

The SAI clocks include:

- The audio master clock
- The bit clock
- The bus clock

39.4.1.1 Audio master clock

The audio master clock is used to generate the bit clock when the receiver or transmitter is configured for an internally generated bit clock. The transmitter and receiver can independently select between the bus clock and up to three audio master clocks to generate the bit clock.

Each SAI peripheral can control the input clock selection, pin direction and divide ratio of one audio master clock. The input clock selection and pin direction cannot be altered if an SAI module using that audio master clock has been enabled. The MCLK divide ratio can be altered while an SAI is using that master clock, although the change in the divide ratio takes several cycles. MCR[DUF] can be polled to determine when the divide ratio change has completed.

The audio master clock generation and selection is chip-specific. Refer to chip-specific clocking information about how the audio master clocks are generated. A typical implementation appears in the following figure.

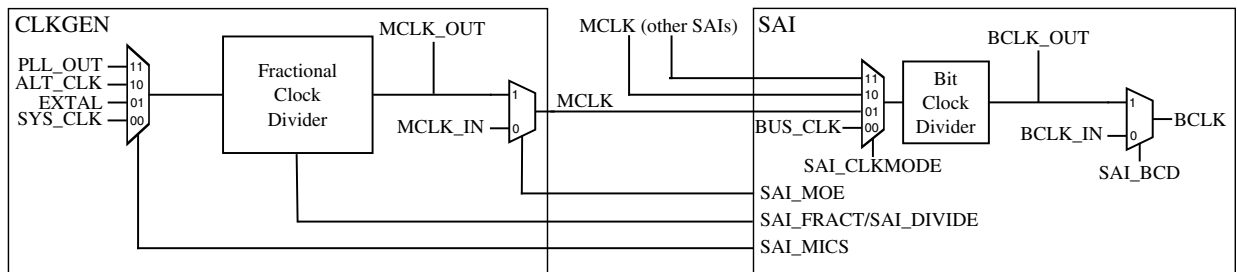


Figure 39-38. SAI master clock generation

The MCLK fractional clock divider uses both clock edges from the input clock to generate a divided down clock that will approximate the output frequency, but without creating any new clock edges. Configuring FRACT and DIVIDE to the same value will result in a divide by 1 clock, while configuring FRACT higher than DIVIDE is not

supported. The duty cycle can range from 66/33 when FRACT is set to one less than DIVIDE down to 50/50 for integer divide ratios, and will approach 50/50 for large non-integer divide ratios. There is no cycle to cycle jitter or duty cycle variance when the divide ratio is an integer or half integer, otherwise the divider output will oscillate between the two divided frequencies that are the closest integer or half integer divisors of the divider input clock frequency. The maximum jitter is therefore equal to half the divider input clock period, since both edges of the input clock are used in generating the divided clock.

39.4.1.2 Bit clock

The SAI transmitter and receiver support asynchronous free-running bit clocks that can be generated internally from an audio master clock or supplied externally. There is also the option for synchronous bit clock and frame sync operation between the receiver and transmitter or between multiple SAI peripherals.

Externally generated bit clocks must be:

- Enabled before the SAI transmitter or receiver is enabled
- Disabled after the SAI transmitter or receiver is disabled and completes its current frames

If the SAI transmitter or receiver is using an externally generated bit clock in asynchronous mode and that bit clock is generated by an SAI that is disabled in stop mode, then the transmitter or receiver should be disabled by software before entering stop mode. This issue does not apply when the transmitter or receiver is in a synchronous mode because all synchronous SAIs are enabled and disabled simultaneously.

39.4.1.3 Bus clock

The bus clock is used by the control and configuration registers and to generate synchronous interrupts and DMA requests.

39.4.2 SAI resets

The SAI is asynchronously reset on system reset. The SAI has a software reset and a FIFO reset.

39.4.2.1 Software reset

The SAI transmitter includes a software reset that resets all transmitter internal logic, including the bit clock generation, status flags, and FIFO pointers. It does not reset the configuration registers. The software reset remains asserted until cleared by software.

The SAI receiver includes a software reset that resets all receiver internal logic, including the bit clock generation, status flags and FIFO pointers. It does not reset the configuration registers. The software reset remains asserted until cleared by software.

39.4.2.2 FIFO reset

The SAI transmitter includes a FIFO reset that synchronizes the FIFO write pointer to the same value as the FIFO read pointer. This empties the FIFO contents and is to be used after TCSR[FEF] is set, and before the FIFO is re-initialized and TCSR[FEF] is cleared. The FIFO reset is asserted for one cycle only.

The SAI receiver includes a FIFO reset that synchronizes the FIFO read pointer to the same value as the FIFO write pointer. This empties the FIFO contents and is to be used after the RCSR[FEF] is set and any remaining data has been read from the FIFO, and before the RCSR[FEF] is cleared. The FIFO reset is asserted for one cycle only.

39.4.3 Synchronous modes

The SAI transmitter and receiver can operate synchronously to each other.

39.4.3.1 Synchronous mode

The SAI transmitter and receiver can be configured to operate with synchronous bit clock and frame sync.

If the transmitter bit clock and frame sync are to be used by both the transmitter and receiver:

- The transmitter must be configured for asynchronous operation and the receiver for synchronous operation.
- In synchronous mode, the receiver is enabled only when both the transmitter and receiver are enabled.
- It is recommended that the transmitter is the last enabled and the first disabled.

If the receiver bit clock and frame sync are to be used by both the transmitter and receiver:

- The receiver must be configured for asynchronous operation and the transmitter for synchronous operation.
- In synchronous mode, the transmitter is enabled only when both the receiver and transmitter are both enabled.
- It is recommended that the receiver is the last enabled and the first disabled.

When operating in synchronous mode, only the bit clock, frame sync, and transmitter/receiver enable are shared. The transmitter and receiver otherwise operate independently, although configuration registers must be configured consistently across both the transmitter and receiver.

39.4.4 Frame sync configuration

When enabled, the SAI continuously transmits and/or receives frames of data. Each frame consists of a fixed number of words and each word consists of a fixed number of bits. Within each frame, any given word can be masked causing the receiver to ignore that word and the transmitter to tri-state for the duration of that word.

The frame sync signal is used to indicate the start of each frame. A valid frame sync requires a rising edge (if active high) or falling edge (if active low) to be detected and the transmitter or receiver cannot be busy with a previous frame. A valid frame sync is also ignored (slave mode) or not generated (master mode) for the first four bit clock cycles after enabling the transmitter or receiver.

The transmitter and receiver frame sync can be configured independently with any of the following options:

- Externally generated or internally generated
- Active high or active low
- Assert with the first bit in frame or asserts one bit early
- Assert for a duration between 1 bit clock and the first word length
- Frame length from 1 to 2 words per frame
- Word length to support 8 to 32 bits per word
 - First word length and remaining word lengths can be configured separately
- Words can be configured to transmit/receive MSB first or LSB first

These configuration options cannot be changed after the SAI transmitter or receiver is enabled.

39.4.5 Data FIFO

Each transmit and receive channel includes a FIFO of size 1×32 -bit. The FIFO data is accessed using the SAI Transmit/Receive Data Registers.

39.4.5.1 Data alignment

Data in the FIFO can be aligned anywhere within the 32-bit wide register through the use of the First Bit Shifted configuration field, which selects the bit index (between 31 and 0) of the first bit shifted.

Examples of supported data alignment and the required First Bit Shifted configuration are illustrated in [Figure 39-39](#) for LSB First configurations and [Figure 39-40](#) for MSB First configurations.

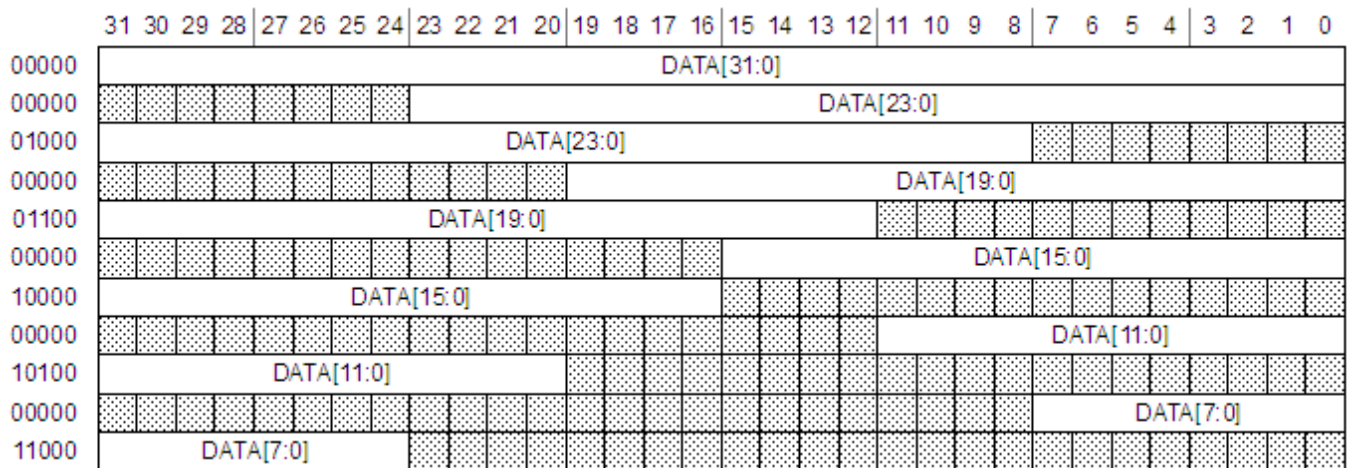


Figure 39-39. SAI first bit shifted, LSB first

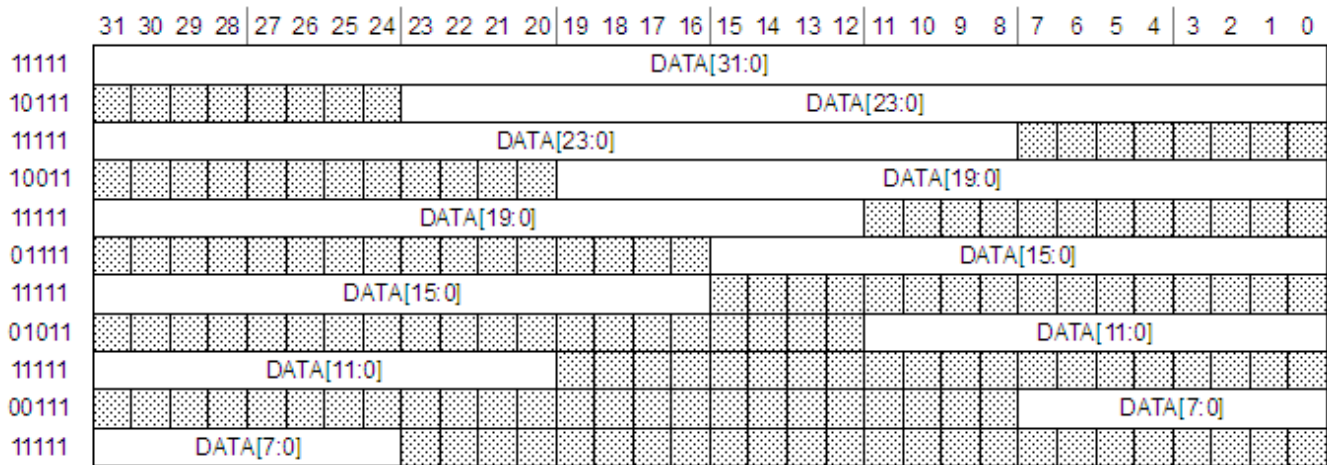


Figure 39-40. SAI first bit shifted, MSB first

39.4.5.2 FIFO pointers

When writing to a TDR, the WFP of the corresponding TFR increments after each valid write. The SAI supports 8-bit, 16-bit and 32-bit writes to the TDR and the FIFO pointer will increment after each individual write. Note that 8-bit writes should only be used when transmitting up to 8-bit data and 16-bit writes should only be used when transmitting up to 16-bit data.

Writes to a TDR are ignored if the corresponding bit of TCR3[TCE] is clear or if the FIFO is full. If the Transmit FIFO is empty, the TDR must be written at least three bit clocks before the start of the next unmasked word to avoid a FIFO underrun.

When reading an RDR, the RFP of the corresponding RFR increments after each valid read. The SAI supports 8-bit, 16-bit and 32-bit reads from the RDR and the FIFO pointer will increment after each individual read. Note that 8-bit reads should only be used when receiving up to 8-bit data and 16-bit reads should only be used when receiving up to 16-bit data.

Reads from an RDR are ignored if the corresponding bit of RCR3[RCE] is clear or if the FIFO is empty. If the Receive FIFO is full, the RDR must be read at least three bit clocks before the end of an unmasked word to avoid a FIFO overrun.

39.4.6 Word mask register

The SAI transmitter and receiver each contain a word mask register, namely TMR and RMR, that can be used to mask any word in the frame. Because the word mask register is double buffered, software can update it before the end of each frame to mask a particular word in the next frame.

The TMR causes the Transmit Data pin to be tri-stated for the length of each selected word and the transmit FIFO is not read for masked words.

The RMR causes the received data for each selected word to be discarded and not written to the receive FIFO.

39.4.7 Interrupts and DMA requests

The SAI transmitter and receiver generate separate interrupts and separate DMA requests, but support the same status flags. Asynchronous versions of the transmitter and receiver interrupts are generated to wake up the CPU from stop mode.

39.4.7.1 FIFO warning flag

The FIFO warning flag is set based on the number of entries in the FIFO.

The transmit warning flag is set when the number of entries in any of the enabled transmit FIFOs is empty and is cleared when the number of entries in each enabled transmit FIFO is not empty.

The receive warning flag is set when the number of entries in any of the enabled receive FIFOs is full and is cleared when the number of entries in each enabled receive FIFO is not full.

The FIFO warning flag can generate an Interrupt or a DMA request.

39.4.7.2 FIFO error flag

The transmit FIFO error flag is set when any of the enabled transmit FIFOs underflow. After it is set, all enabled transmit channels repeat the last valid word read from the transmit FIFO until TCSR[FEF] is cleared and the next transmit frame starts. All enabled transmit FIFOs must be reset and initialized with new data before TCSR[FEF] is cleared.

RCSR[FEF] is set when the any of the enabled receive FIFOs overflow. After it is set, all enabled receive channels discard received data until RCSR[FEF] is cleared and the next next receive frame starts. All enabled receive FIFOs should be emptied before RCSR[FEF] is cleared.

The FIFO error flag can generate only an interrupt.

39.4.7.3 Sync error flag

The sync error flag, TCSR[SEF] or RCSR[SEF], is set when configured for an externally generated frame sync and the external frame sync asserts when the transmitter or receiver is busy with the previous frame. The external frame sync assertion is ignored and the sync error flag is set. When the sync error flag is set, the transmitter or receiver continues checking for frame sync assertion when idle or at the end of each frame.

The sync error flag can generate an interrupt only.

39.4.7.4 Word start flag

The word start flag is set at the start of the second bit clock for the selected word, as configured by the Word Flag register field.

The word start flag can generate an interrupt only.

Chapter 40

General-Purpose Input/Output (GPIO)

40.1 Introduction

NOTE

For the chip-specific implementation details of this module's instances, see the chip configuration information.

The general-purpose input and output (GPIO) module communicates to the processor core via a zero wait state interface (IOPORT) for maximum pin performance. The GPIO registers support 8-bit, 16-bit or 32-bit accesses.

The GPIO data direction and output data registers control the direction and output data of each pin when the pin is configured for the GPIO function. The GPIO input data register displays the logic value on each pin when the pin is configured for any digital function, provided the corresponding Port Control and Interrupt module for that pin is enabled.

Efficient bit manipulation of the general-purpose outputs is supported through the addition of set, clear, and toggle write-only registers for each port output data register.

40.1.1 Features

- Features of the GPIO module include:
 - Pin input data register visible in all digital pin-multiplexing modes
 - Pin output data register with corresponding set/clear/toggle registers
 - Pin data direction register
 - Zero wait state access to GPIO registers through IOPORT

NOTE

GPIO module is clocked by system clock.

40.1.2 Modes of operation

The following table depicts different modes of operation and the behavior of the GPIO module in these modes.

Table 40-1. Modes of operation

Modes of operation	Description
Run	The GPIO module operates normally.
Wait	The GPIO module operates normally.
Stop	The GPIO module is disabled.
Debug	The GPIO module operates normally.

40.1.3 GPIO signal descriptions

Table 40-2. GPIO signal descriptions

GPIO signal descriptions	Description	I/O
PORTA31–PORTA0	General-purpose input/output	I/O
PORTB31–PORTB0	General-purpose input/output	I/O
PORTC31–PORTC0	General-purpose input/output	I/O
PORTD31–PORTD0	General-purpose input/output	I/O
PORTE31–PORTE0	General-purpose input/output	I/O

NOTE

Not all pins within each port are implemented on each device. See the chapter on signal multiplexing for the number of GPIO ports available in the device.

40.1.3.1 Detailed signal description

Table 40-3. GPIO interface-detailed signal descriptions

Signal	I/O	Description	
PORTA31–PORTA0 PORTB31–PORTB0 PORTC31–PORTC0 PORTD31–PORTD0 PORTE31–PORTE0	I/O	General-purpose input/output	
		State meaning	Asserted: The pin is logic 1. Deasserted: The pin is logic 0.
		Timing	Assertion: When output, this signal occurs on the rising-edge of the system clock. For input, it may occur at any time and input may be asserted asynchronously to the system clock. Deassertion: When output, this signal occurs on the rising-edge of the system clock. For input, it may occur at any time and input may be asserted asynchronously to the system clock.

40.2 Memory map and register definition

Any read or write access to the GPIO memory space that is outside the valid memory map results in a bus error.

NOTE

For simplicity, each GPIO port's registers appear with the same width of 32 bits, corresponding to 32 pins. The actual number of pins per port (and therefore the number of usable control bits per port register) is chip-specific. Refer to the Chip Configuration chapter to see the exact control bits for the non-identical port instance.

GPIO memory map

Absolute address (hex)	Register name	Width (in bits)	Access	Reset value	Section/page
400F_F000	Port Data Output Register (GPIOA_PDOR)	32	R/W	0000_0000h	40.2.1/781
400F_F004	Port Set Output Register (GPIOA_PSOR)	32	W (always reads 0)	0000_0000h	40.2.2/782

Table continues on the next page...

GPIO memory map (continued)

Absolute address (hex)	Register name	Width (in bits)	Access	Reset value	Section/page
400F_F008	Port Clear Output Register (GPIOA_PCOR)	32	W (always reads 0)	0000_0000h	40.2.3/782
400F_F00C	Port Toggle Output Register (GPIOA_PTOR)	32	W (always reads 0)	0000_0000h	40.2.4/783
400F_F010	Port Data Input Register (GPIOA_PDIR)	32	R	0000_0000h	40.2.5/783
400F_F014	Port Data Direction Register (GPIOA_PDDR)	32	R/W	0000_0000h	40.2.6/784
400F_F040	Port Data Output Register (GPIOB_PDOR)	32	R/W	0000_0000h	40.2.1/781
400F_F044	Port Set Output Register (GPIOB_PSOR)	32	W (always reads 0)	0000_0000h	40.2.2/782
400F_F048	Port Clear Output Register (GPIOB_PCOR)	32	W (always reads 0)	0000_0000h	40.2.3/782
400F_F04C	Port Toggle Output Register (GPIOB_PTOR)	32	W (always reads 0)	0000_0000h	40.2.4/783
400F_F050	Port Data Input Register (GPIOB_PDIR)	32	R	0000_0000h	40.2.5/783
400F_F054	Port Data Direction Register (GPIOB_PDDR)	32	R/W	0000_0000h	40.2.6/784
400F_F080	Port Data Output Register (GPIOC_PDOR)	32	R/W	0000_0000h	40.2.1/781
400F_F084	Port Set Output Register (GPIOC_PSOR)	32	W (always reads 0)	0000_0000h	40.2.2/782
400F_F088	Port Clear Output Register (GPIOC_PCOR)	32	W (always reads 0)	0000_0000h	40.2.3/782
400F_F08C	Port Toggle Output Register (GPIOC_PTOR)	32	W (always reads 0)	0000_0000h	40.2.4/783
400F_F090	Port Data Input Register (GPIOC_PDIR)	32	R	0000_0000h	40.2.5/783
400F_F094	Port Data Direction Register (GPIOC_PDDR)	32	R/W	0000_0000h	40.2.6/784
400F_F0C0	Port Data Output Register (GPIOD_PDOR)	32	R/W	0000_0000h	40.2.1/781
400F_F0C4	Port Set Output Register (GPIOD_PSOR)	32	W (always reads 0)	0000_0000h	40.2.2/782
400F_F0C8	Port Clear Output Register (GPIOD_PCOR)	32	W (always reads 0)	0000_0000h	40.2.3/782
400F_F0CC	Port Toggle Output Register (GPIOD_PTOR)	32	W (always reads 0)	0000_0000h	40.2.4/783
400F_F0D0	Port Data Input Register (GPIOD_PDIR)	32	R	0000_0000h	40.2.5/783
400F_F0D4	Port Data Direction Register (GPIOD_PDDR)	32	R/W	0000_0000h	40.2.6/784

GPIO memory map (continued)

Absolute address (hex)	Register name	Width (in bits)	Access	Reset value	Section/page
400F_F100	Port Data Output Register (GPIOE_PDOR)	32	R/W	0000_0000h	40.2.1/781
400F_F104	Port Set Output Register (GPIOE_PSOR)	32	W (always reads 0)	0000_0000h	40.2.2/782
400F_F108	Port Clear Output Register (GPIOE_PCOR)	32	W (always reads 0)	0000_0000h	40.2.3/782
400F_F10C	Port Toggle Output Register (GPIOE_PTOR)	32	W (always reads 0)	0000_0000h	40.2.4/783
400F_F110	Port Data Input Register (GPIOE_PDIR)	32	R	0000_0000h	40.2.5/783
400F_F114	Port Data Direction Register (GPIOE_PDDR)	32	R/W	0000_0000h	40.2.6/784

40.2.1 Port Data Output Register (GPIOx_PDOR)

This register configures the logic levels that are driven on each general-purpose output pins.

NOTE

Do not modify pin configuration registers associated with pins not available in your selected package. All un-bonded pins not available in your package will default to DISABLE state for lowest power consumption.

Address: Base address + 0h offset

Bit	31	30	29	28	27	26	25	24	23	22	21	20	19	18	17	16	15	14	13	12	11	10	9	8	7	6	5	4	3	2	1	0
R																																
W	PDO																															
Reset	0	0	0	0	0	0	0	0	0	0	0	0	0	0	0	0	0	0	0	0	0	0	0	0	0	0	0	0	0	0	0	0

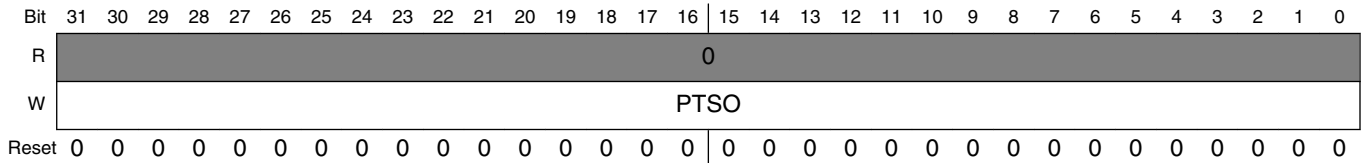
GPIOx_PDOR field descriptions

Field	Description
31–0 PDO	<p>Port Data Output</p> <p>Register bits for un-bonded pins return a undefined value when read.</p> <p>0 Logic level 0 is driven on pin, provided pin is configured for general-purpose output.</p> <p>1 Logic level 1 is driven on pin, provided pin is configured for general-purpose output.</p>

40.2.2 Port Set Output Register (GPIOx_PSOR)

This register configures whether to set the fields of the PDOR.

Address: Base address + 4h offset



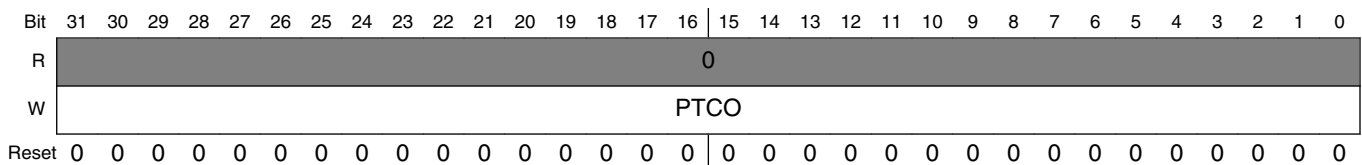
GPIOx_PSOR field descriptions

Field	Description
31–0 PTSO	<p>Port Set Output</p> <p>Writing to this register will update the contents of the corresponding bit in the PDOR as follows:</p> <p>0 Corresponding bit in PDORn does not change.</p> <p>1 Corresponding bit in PDORn is set to logic 1.</p>

40.2.3 Port Clear Output Register (GPIOx_PCOR)

This register configures whether to clear the fields of PDOR.

Address: Base address + 8h offset

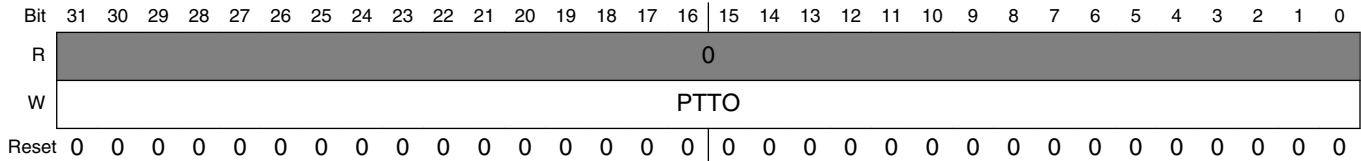


GPIOx_PCOR field descriptions

Field	Description
31–0 PTCO	<p>Port Clear Output</p> <p>Writing to this register will update the contents of the corresponding bit in the Port Data Output Register (PDOR) as follows:</p> <p>0 Corresponding bit in PDORn does not change.</p> <p>1 Corresponding bit in PDORn is cleared to logic 0.</p>

40.2.4 Port Toggle Output Register (GPIOx_PTOR)

Address: Base address + Ch offset



GPIOx_PTOR field descriptions

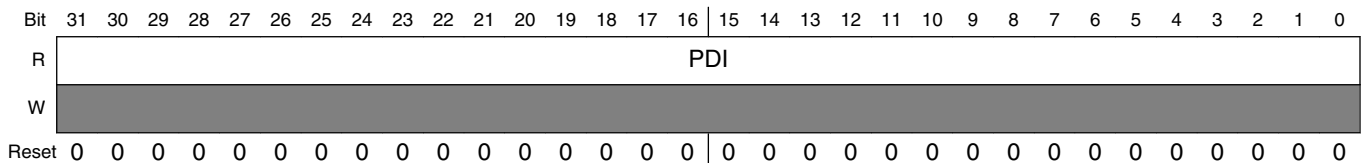
Field	Description
31–0 PTTO	<p>Port Toggle Output</p> <p>Writing to this register will update the contents of the corresponding bit in the PDOR as follows:</p> <p>0 Corresponding bit in PDORn does not change.</p> <p>1 Corresponding bit in PDORn is set to the inverse of its existing logic state.</p>

40.2.5 Port Data Input Register (GPIOx_PDIR)

NOTE

Do not modify pin configuration registers associated with pins not available in your selected package. All un-bonded pins not available in your package will default to DISABLE state for lowest power consumption.

Address: Base address + 10h offset



GPIOx_PDIR field descriptions

Field	Description
31–0 PDI	<p>Port Data Input</p> <p>Reads 0 at the unimplemented pins for a particular device. Pins that are not configured for a digital function read 0. If the Port Control and Interrupt module is disabled, then the corresponding bit in PDIR does not update.</p> <p>0 Pin logic level is logic 0, or is not configured for use by digital function.</p> <p>1 Pin logic level is logic 1.</p>

40.2.6 Port Data Direction Register (GPIOx_PDDR)

The PDDR configures the individual port pins for input or output.

Address: Base address + 14h offset

Bit	31	30	29	28	27	26	25	24	23	22	21	20	19	18	17	16	15	14	13	12	11	10	9	8	7	6	5	4	3	2	1	0
R																																
W																																
Reset	0	0	0	0	0	0	0	0	0	0	0	0	0	0	0	0	0	0	0	0	0	0	0	0	0	0	0	0	0	0	0	0

GPIOx_PDDR field descriptions

Field	Description
31–0 PDD	<p>Port Data Direction</p> <p>Configures individual port pins for input or output.</p> <p>0 Pin is configured as general-purpose input, for the GPIO function.</p> <p>1 Pin is configured as general-purpose output, for the GPIO function.</p>

40.3 Functional description

40.3.1 General-purpose input

The logic state of each pin is available via the Port Data Input registers, provided the pin is configured for a digital function and the corresponding Port Control and Interrupt module is enabled.

40.3.2 General-purpose output

The logic state of each pin can be controlled via the port data output registers and port data direction registers, provided the pin is configured for the GPIO function. The following table depicts the conditions for a pin to be configured as input/output.

If	Then
A pin is configured for the GPIO function and the corresponding port data direction register bit is clear.	The pin is configured as an input.
A pin is configured for the GPIO function and the corresponding port data direction register bit is set.	The pin is configured as an output and the logic state of the pin is equal to the corresponding port data output register.

To facilitate efficient bit manipulation on the general-purpose outputs, pin data set, pin data clear, and pin data toggle registers exist to allow one or more outputs within one port to be set, cleared, or toggled from a single register write.

The corresponding Port Control and Interrupt module does not need to be enabled to update the state of the port data direction registers and port data output registers including the set/clear/toggle registers.

Chapter 41

Touch Sensing Input (TSI)

41.1 Introduction

The touch sensing input (TSI) module provides capacitive touch sensing detection with high sensitivity and enhanced robustness. Each TSI pin implements the capacitive measurement by a current source scan, charging and discharging the electrode, once or several times. A reference oscillator ticks the scan time and stores the result in a 16-bit register when the scan completes. Meanwhile, an interrupt request is submitted to CPU for post-processing if TSI interrupt is enabled and DMA function is not selected. The TSI module can be periodically triggered to work in low power mode with ultra-low current adder and wake CPU at the end of scan or the conversion result is out of the range specified by TSI threshold. It provides a solid capacitive measurement module to the implementation of touch keyboard, rotaries and sliders.

41.1.1 Features

TSI features includes:

- Support up to 16 external electrodes
- Automatic detection of electrode capacitance across all operational power modes
- Internal reference oscillator for high-accuracy measurement
- Configurable software or hardware scan trigger
- Fully support Freescale touch sensing software (TSS) library, see www.freescale.com/touchsensing.
- Capability to wake MCU from low power modes
- Compensate for temperature and supply voltage variations
- High sensitivity change with 16-bit resolution register
- Configurable up to 4096 scan times.
- Support DMA data transfer

41.1.2 Modes of operation

This module supports the following operation modes.

Table 41-1. Operating modes

Mode	Description
Stop and low power stop	TSI module is fully functional in all of the stop modes as long as TSI_GENCS[STPE] is set. The channel specified by TSI_DATA[TSICH] will be scanned upon the trigger. After scan finishes, either end-of-scan or out-of-range interrupt can be selected to bring MCU out of low power modes.
Wait	TSI module is fully functional in this mode. When a scan completes, TSI submits an interrupt request to CPU if the interrupt is enabled.
Run	TSI module is fully functional in this mode. When a scan completes, TSI submits an interrupt request to CPU if the interrupt is enabled.

41.1.3 Block diagram

The following figure is a block diagram of the TSI module.

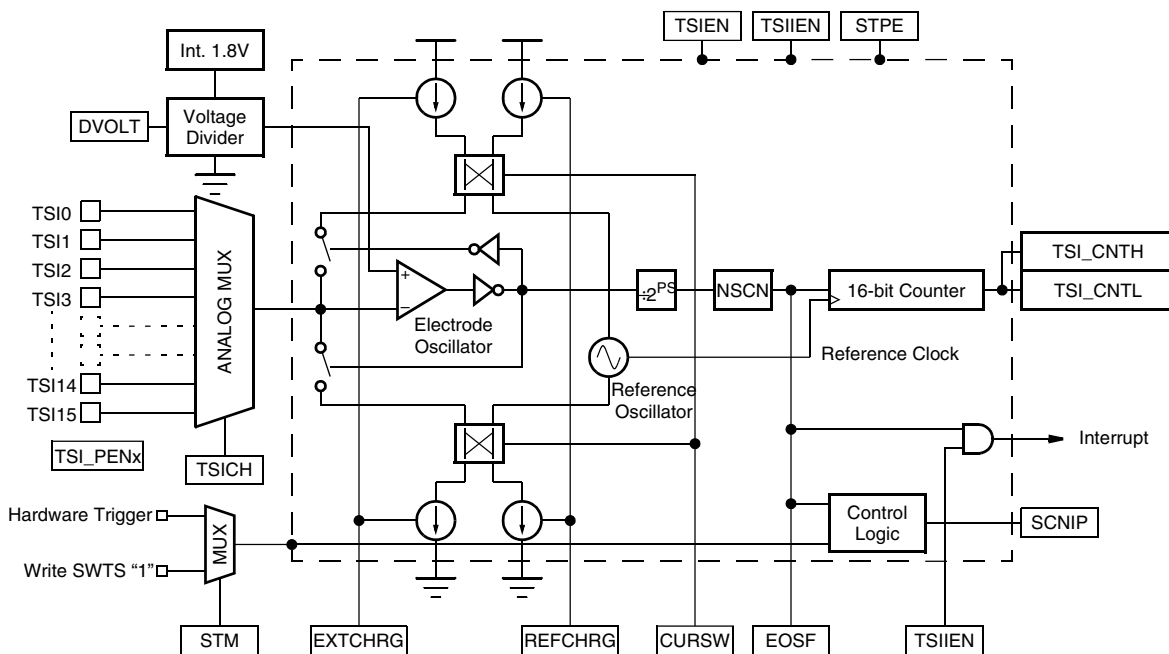


Figure 41-1. TSI module block diagram

41.2 External signal description

The TSI module contains up to 16 external pins for touch sensing. The following table describes each of the TSI external pins.

Table 41-2. TSI signal description

Name	Port	Direction	Function	Reset state
TSI[15:0]	TSI	I/O	TSI capacitive pins. Switches driver that connects directly to the electrode pins TSI[15:0] can operate as GPIO pins.	I/O

41.2.1 TSI[15:0]

When TSI functionality is enabled, the TSI analog portion uses the corresponding channel to connect external on-board touch capacitors. The PCB connection between the pin and the touch pad must be kept as short as possible to reduce distribution capacity on board.

41.3 Register definition

This section describes the memory map and control/status registers for the TSI module.

TSI memory map

Absolute address (hex)	Register name	Width (in bits)	Access	Reset value	Section/page
4004_5000	TSI General Control and Status Register (TSI0_GENCS)	32	R/W	0000_0000h	41.3.1/789
4004_5004	TSI DATA Register (TSI0_DATA)	32	R/W	0000_0000h	41.3.2/794
4004_5008	TSI Threshold Register (TSI0_TSHD)	32	R/W	0000_0000h	41.3.3/795

41.3.1 TSI General Control and Status Register (TSIx_GENCS)

This control register provides various control and configuration information for the TSI module.

NOTE

When TSI is working, the configuration bits (GENCS[TSIEN], GENCS[TSIEN], and GENCS[STM]) must not be changed. The EOSF flag is kept until the software acknowledge it.

Address: 4004_5000h base + 0h offset = 4004_5000h

Bit	31	30	29	28	27	26	25	24	23	22	21	20	19	18	17	16
R	OUTRGF	0			ESOR	MODE				REFCHRG			DVOLT		EXTCHRG	
W	w1c															
Reset	0	0	0	0	0	0	0	0	0	0	0	0	0	0	0	0
Bit	15	14	13	12	11	10	9	8	7	6	5	4	3	2	1	0
R	PS			NSCN					TSIEN	TSIEN	STPE	STM	SCNIP	EOSF	CURSW	0
W														w1c		
Reset	0	0	0	0	0	0	0	0	0	0	0	0	0	0	0	0

TSIx_GENCS field descriptions

Field	Description
31 OUTRGF	Out of Range Flag. This flag is set if the result register of the enabled electrode is out of the range defined by the TSI_THRESHOLD register. This flag is set only when TSI is configured in non-noise detection mode. It can be read once the CPU wakes. Write "1" , when this flag is set, to clear it.
30–29 Reserved	This field is reserved. This read-only field is reserved and always has the value 0.
28 ESOR	End-of-scan or Out-of-Range Interrupt Selection This bit is used to select out-of-range or end-of-scan event to generate an interrupt. 0 Out-of-range interrupt is allowed. 1 End-of-scan interrupt is allowed.

Table continues on the next page...

TSIx_GENCS field descriptions (continued)

Field	Description
27–24 MODE	<p>TSI analog modes setup and status bits.</p> <p>Set up TSI analog modes, especially, setting MODE[3:2] to not 2'b00 will configure TSI to noise detection modes. MODE[1:0] take no effect on TSI operation mode and should always write to 2'b00 for setting up. When reading this field will return the analog status. Refer to chapter "Noise detection mode" for details.</p> <p>0000 Set TSI in capacitive sensing(non-noise detection) mode.</p> <p>0100 Set TSI analog to work in single threshold noise detection mode and the frequency limitation circuit is disabled.</p> <p>1000 Set TSI analog to work in single threshold noise detection mode and the frequency limitation circuit is enabled to work in higher frequencies operations.</p> <p>1100 Set TSI analog to work in automatic noise detection mode.</p>
23–21 REFCHRG	<p>REFCHRG</p> <p>These bits indicate the reference oscillator charge and discharge current value.</p> <p>000 500 nA.</p> <p>001 1 μA.</p> <p>010 2 μA.</p> <p>011 4 μA.</p> <p>100 8 μA.</p> <p>101 16 μA.</p> <p>110 32 μA.</p> <p>111 64 μA.</p>
20–19 DVOLT	<p>DVOLT</p> <p>These bits indicate the oscillator's voltage rails as below.</p> <p>00 DV = 1.03 V; V_P = 1.33 V; V_m = 0.30 V.</p> <p>01 DV = 0.73 V; V_P = 1.18 V; V_m = 0.45 V.</p> <p>10 DV = 0.43 V; V_P = 1.03 V; V_m = 0.60 V.</p> <p>11 DV = 0.29 V; V_P = 0.95 V; V_m = 0.67 V.</p>
18–16 EXTCHRG	<p>EXTCHRG</p> <p>These bits indicate the electrode oscillator charge and discharge current value.</p> <p>000 500 nA.</p> <p>001 1 μA.</p> <p>010 2 μA.</p> <p>011 4 μA.</p> <p>100 8 μA.</p> <p>101 16 μA.</p> <p>110 32 μA.</p> <p>111 64 μA.</p>
15–13 PS	<p>PS</p> <p>These bits indicate the prescaler of the output of electrode oscillator.</p> <p>000 Electrode Oscillator Frequency divided by 1</p> <p>001 Electrode Oscillator Frequency divided by 2</p>

Table continues on the next page...

TSIx_GENCS field descriptions (continued)

Field	Description
	010 Electrode Oscillator Frequency divided by 4 011 Electrode Oscillator Frequency divided by 8 100 Electrode Oscillator Frequency divided by 16 101 Electrode Oscillator Frequency divided by 32 110 Electrode Oscillator Frequency divided by 64 111 Electrode Oscillator Frequency divided by 128
12–8 NSCN	NSCN These bits indicate the scan number for each electrode. The scan number is equal to NSCN + 1, which allows the scan time ranges from 1 to 32. By default, NSCN is configured as 0, which asserts the TSI scans once on the selected electrode channel. 00000 Once per electrode 00001 Twice per electrode 00010 3 times per electrode 00011 4 times per electrode 00100 5 times per electrode 00101 6 times per electrode 00110 7 times per electrode 00111 8 times per electrode 01000 9 times per electrode 01001 10 times per electrode 01010 11 times per electrode 01011 12 times per electrode 01100 13 times per electrode 01101 14 times per electrode 01110 15 times per electrode 01111 16 times per electrode 10000 17 times per electrode 10001 18 times per electrode 10010 19 times per electrode 10011 20 times per electrode 10100 21 times per electrode 10101 22 times per electrode 10110 23 times per electrode 10111 24 times per electrode 11000 25 times per electrode 11001 26 times per electrode 11010 27 times per electrode 11011 28 times per electrode 11100 29 times per electrode 11101 30 times per electrode 11110 31 times per electrode 11111 32 times per electrode
7 TSIEN	Touch Sensing Input Module Enable This bit enables TSI module.

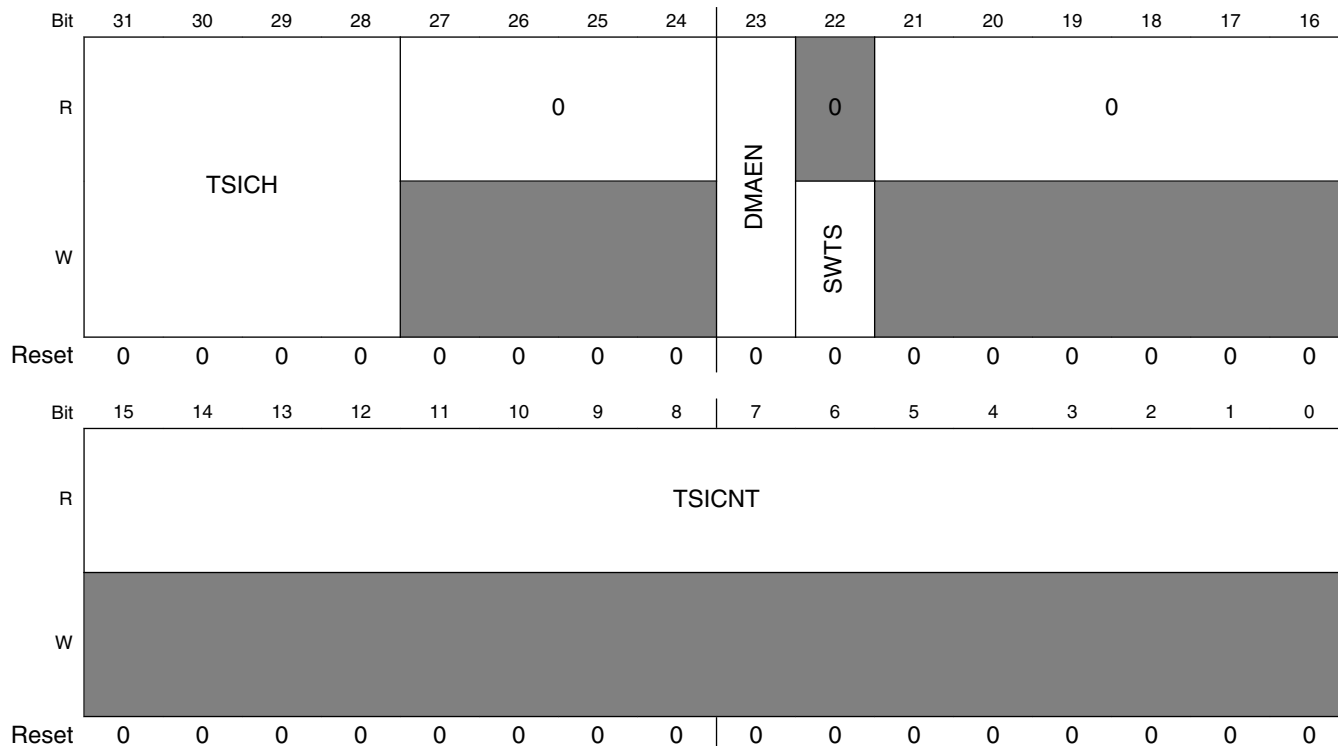
Table continues on the next page...

TSIx_GENCS field descriptions (continued)

Field	Description
	0 TSI module disabled. 1 TSI module enabled.
6 TSIEN	Touch Sensing Input Interrupt Enable This bit enables TSI module interrupt request to CPU when the scan completes. The interrupt will wake MCU from low power mode if this interrupt is enabled. 0 TSI interrupt is disabled. 1 TSI interrupt is enabled.
5 STPE	TSI STOP Enable This bit enables TSI module function in low power modes (stop, VLPS, LLS and VLLS{3,2,1}). 0 TSI is disabled when MCU goes into low power mode. 1 Allows TSI to continue running in all low power modes.
4 STM	Scan Trigger Mode This bit specifies the trigger mode. User is allowed to change this bit when TSI is not working in progress. 0 Software trigger scan. 1 Hardware trigger scan.
3 SCNIP	Scan In Progress Status This read-only bit indicates if scan is in progress. This bit will get asserted after the analog bias circuit is stable after a trigger and it changes automatically by the TSI. 0 No scan in progress. 1 Scan in progress.
2 EOSF	End of Scan Flag This flag is set when all active electrodes are finished scanning after a scan trigger. Write "1" , when this flag is set, to clear it. 0 Scan not complete. 1 Scan complete.
1 CURSW	CURSW This bit specifies if the current sources of electrode oscillator and reference oscillator are swapped. 0 The current source pair are not swapped. 1 The current source pair are swapped.
0 Reserved	This field is reserved. This read-only field is reserved and always has the value 0.

41.3.2 TSI DATA Register (TSIx_DATA)

Address: 4004_5000h base + 4h offset = 4004_5004h



TSIx_DATA field descriptions

Field	Description
31–28 TSICH	<p>TSICH</p> <p>These bits specify current channel to be measured. In hardware trigger mode (TSI_GENCS[STM] = 1), the scan will not start until the hardware trigger occurs. In software trigger mode (TSI_GENCS[STM] = 0), the scan starts immediately when TSI_DATA[SWTS] bit is written by 1.</p> <p>0000 Channel 0. 0001 Channel 1. 0010 Channel 2. 0011 Channel 3. 0100 Channel 4. 0101 Channel 5. 0110 Channel 6. 0111 Channel 7. 1000 Channel 8. 1001 Channel 9. 1010 Channel 10. 1011 Channel 11. 1100 Channel 12. 1101 Channel 13.</p>

Table continues on the next page...

TSIx_DATA field descriptions (continued)

Field	Description
	1110 Channel 14. 1111 Channel 15.
27–24 Reserved	This field is reserved. This read-only field is reserved and always has the value 0.
23 DMAEN	DMA Transfer Enabled This bit is used together with the TSI interrupt enable bits(TSIIE, ESOR) to generate a DMA transfer request instead of an interrupt. 0 Interrupt is selected when the interrupt enable bit is set and the corresponding TSI events assert. 1 DMA transfer request is selected when the interrupt enable bit is set and the corresponding TSI events assert.
22 SWTS	Software Trigger Start This write-only bit is a software start trigger. When STM bit is clear, write "1" to this bit will start a scan. The electrode channel to be scanned is determined by TSI_DATA[TSICH] bits. 0 No effect. 1 Start a scan to determine which channel is specified by TSI_DATA[TSICH].
21–16 Reserved	This field is reserved. This read-only field is reserved and always has the value 0.
15–0 TSICNT	TSI Conversion Counter Value These read-only bits record the accumulated scan counter value ticked by the reference oscillator.

41.3.3 TSI Threshold Register (TSIx_TSHD)

Address: 4004_5000h base + 8h offset = 4004_5008h

Bit	31	30	29	28	27	26	25	24	23	22	21	20	19	18	17	16	15	14	13	12	11	10	9	8	7	6	5	4	3	2	1	0
R																																
W																																
Reset	0	0	0	0	0	0	0	0	0	0	0	0	0	0	0	0	0	0	0	0	0	0	0	0	0	0	0	0	0	0	0	0

TSIx_TSHD field descriptions

Field	Description
31–16 THRESH	TSI Wakeup Channel High-threshold This half-word specifies the high threshold of the wakeup channel.
15–0 THRESL	TSI Wakeup Channel Low-threshold This half-word specifies the low threshold of the wakeup channel.

41.4 Functional description

41.4.1 Capacitance measurement

The electrode pin capacitance measurement uses a dual oscillator approach. The frequency of the TSI electrode oscillator depends on the external electrode capacitance and the TSI module configuration. After going to a configurable prescaler, the TSI electrode oscillator signal goes to the input of the module counter. The time for the module counter to reach its module value is measured using the TSI reference oscillator. The measured electrode capacitance is directly proportional to the time.

41.4.1.1 TSI electrode oscillator

The TSI electrode oscillator circuit is illustrated in the following figure. A configurable constant current source is used to charge and discharge the external electrode capacitance. A buffer hysteresis defines the oscillator delta voltage. The delta voltage defines the margin of high and low voltage which are the reference input of the comparator in different time.

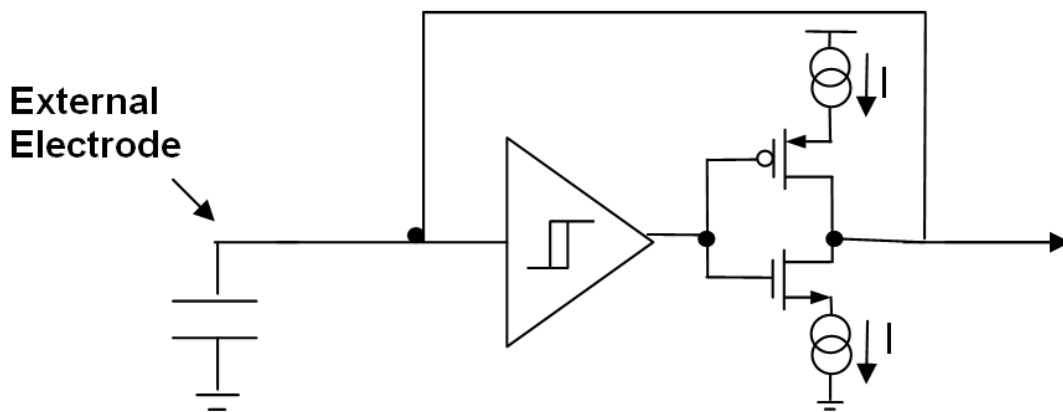


Figure 41-8. TSI electrode oscillator circuit

The current source applied to the pad capacitance is controlled by the `SCANC[EXTCHRG]`. The hysteresis delta voltage is defined in the module electrical specifications present in the device Data Sheet. The figure below shows the voltage amplitude waveform of the electrode capacitance charging and discharging with a programmable current.

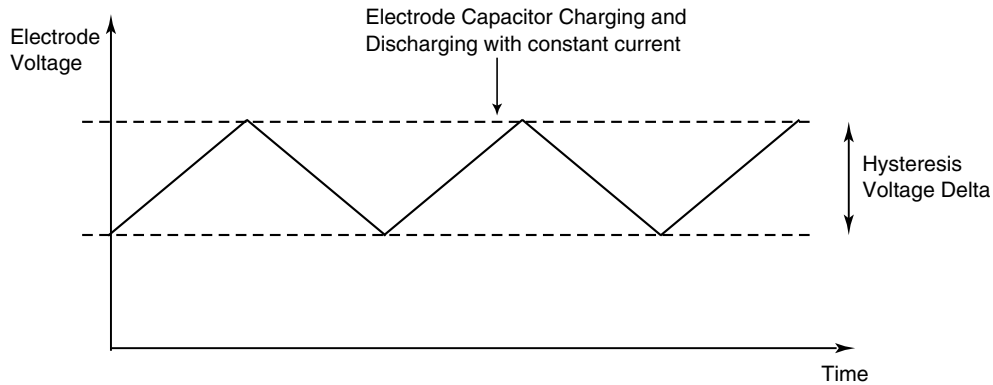


Figure 41-9. TSI electrode oscillator chart

The oscillator frequency is give by the following equation

$$F_{elec} = \frac{I}{2 * C_{elec} * \Delta V}$$

Figure 41-10. Equation 1: TSI electrode oscillator frequency

Where:

I: constant current

C_{elec} : electrode capacitance

ΔV : Hysteresis delta voltage

So by this equation, for example, an electrode with $C_{elec} = 20$ pF, with a current source of $I = 16$ μ A and $\Delta V = 600$ mV have the following oscillation frequency:

$$F_{elec} = \frac{16 \mu A}{2 * 20 pF * 600 mV} = 0.67 MHz$$

Figure 41-11. Equation 2: TSI electrode oscillator frequency

The current source is used to accommodate the TSI electrode oscillator frequency with different electrode capacitance sizes.

41.4.1.2 Electrode oscillator and counter module control

The TSI oscillator frequency signal goes through a prescaler defined by the GENCS[PS] and then enters in a modulus counter. The bit field GENCS[NSCN] defines the maximum count value of the modulus counter.

Functional description

The pin capacitance sampling time is given by the time the module counter takes to go from zero to its maximum value, defined by NSCN. The electrode sample time is expressed by the following equation:

$$T_{cap_samp} = \frac{PS * NSCN}{F_{elec}}$$

Using Equation 1.

$$T_{cap_samp} = \frac{2 * PS * NSCN * C_{elec} * \Delta V}{I}$$

Figure 41-12. Equation 3: Electrode sampling time

Where:

PS: prescaler value

NSCN: module counter maximum value

I: constant current

C_{elec}: electrode capacitance

ΔV: Hysteresis delta voltage

By this equation we have that an electrode with C = 20 pF, with a current source of I = 16 μA and ΔV = 600 mV, PS = 2 and NSCN = 16 have the following sampling time:

$$T_{cap_samp} = \frac{2 * 2 * 16 * 20pF * 600mV}{16\mu A} = 48\mu s$$

41.4.1.3 TSI reference oscillator

The TSI reference oscillator has the same topology of the TSI electrode oscillator. The TSI reference oscillator instead of using an external capacitor for the electrode oscillator has an internal reference capacitor.

The TSI reference oscillator has an independent programmable current source controlled by the SCANC[REFCHRG].

The reference oscillator frequency is given by the following equation:

$$F_{ref_osc} = \frac{I_{ref}}{2 * C_{ref} * \Delta V}$$

Figure 41-13. Equation 4: TSI reference oscillator frequency

Where:

C_{ref} : Internal reference capacitor

I_{ref} : Reference oscillator current source

ΔV : Hysteresis delta voltage

Considering $C_{ref} = 1.0 \text{ pF}$, $I_{ref} = 12 \text{ }\mu\text{A}$ and $\Delta V = 600 \text{ mV}$, follows

$$F_{ref_osc} = \frac{12\mu A}{2 * 1.0pF * 600mV} = 10.0MHz$$

41.4.2 TSI measurement result

The capacitance measurement result is defined by the number of TSI reference oscillator periods during the sample time and is stored in the TSICHnCNT register.

$$TSICHnCNT = T_{cap_samp} * F_{ref_osc}$$

Using Equation 2 and Equation 1 follows:

$$TSICHnCNT = \frac{I_{ref} * PS * NSCN}{C_{ref} * I_{elec}} * C_{elec}$$

Figure 41-14. Equation 5: Capacitance result value

In the example where $F_{ref_osc} = 10.0MHz$ and $T_{cap_samp} = 48 \text{ }\mu\text{s}$, $TSICHnCNT = 480$

41.4.3 Enable TSI module

The TSI module can be fully functional in run, wait and low power modes. The TSI_GENCS[TSIEN] bit must be set to enable the TSI module in run and wait mode. When TSI_GENCS[STPE] bit is set, it allows the TSI module to work in low power mode.

41.4.4 Software and hardware trigger

The TSI module allows a software or hardware trigger to start a scan. When a software trigger is applied (TSI_GENCS[STM] bit clear), the TSI_GENCS[SWTS] bit must be written "1" to start the scan electrode channel that is identified by TSI_DATA[TSICH]. When a hardware trigger is applied (TSI_GENCS[STM] bit set), the TSI will not start scanning until the hardware trigger arrives. The hardware trigger is different depending on the MCU configuration. Generally, it could be an event that RTC overflows. See chip configuration section for details.

41.4.5 Scan times

The TSI provides multi-scan function. The number of scans is indicated by the TSI_GENCS[NSCN] bits that allow the scan number from 1 to 32. When TSI_GENCS[NSCN] is set to 0 (only once), the single scan is engaged. The 16-bit counter accumulates all scan results until the NSCN time scan completes, and users can read TSI_DATA[TSICNT] to get this accumulation. When DMA transfer is enabled, the counter values can also be read out by DMA engine.

41.4.6 Clock setting

TSI is built with dual oscillator architecture. In normal sensing application, the reference oscillator clock is the only clock source for operations. The reference clock is used to measure the electrode oscillator by ticking a 16-bit counter. The reference oscillator frequency depends on the current source setting. Please refer to the [Current source](#) for more details.

The output of electrode oscillator has several prescalers up to 128 indicated by TSI_GENCS[PS]bits. This allows a flexible counter configuration for different electrode oscillator frequency.

41.4.7 Reference voltage

The TSI module offers a internal reference voltage for both electrode oscillator and reference oscillator. The internal reference voltage can work in low power modes even when the MCU regulator is partially powered down, which is ideally for low-power touch detection.

The charge and discharge difference voltage is configurable upon the setting of TSI_GENCS[DVOLT] bits. The following table shows the all the delta voltage configurations. Note this table doesn't apply to noise mode, where the details should be consult form noise modes chapters.

Table 41-11. Delta voltage configuration

DVOLT	V_p (V)	V_m (V)	ΔV (V)
00	1.328	0.302	1.026
01	1.111	0.519	0.592
10	0.986	0.644	0.342
11	0.914	0.716	0.198

41.4.8 Current source

The TSI module supports eight different current source power to increment from 500 nA to 64uA. The TSI_GENCS[EXTCHRG] bits determine the current of electrode oscillator that charges and discharges external electrodes. The TSI_GENCS[REFCHRG] bits determine the current of reference oscillator on which the internal reference clock depends. The lower current source takes more time for charge and discharge, which is useful to detect high-accuracy change. The higher current source takes less time, which can be used to charge a big electrode by less power consumption.

The TSI_GENCS[CURSW] bit allows the current source to swap, so that the reference oscillator and electrode oscillator use the opposite current sources. When TSI_GENCS[CURSW] is set and the current sources are swapped, the TSI_GENCS[EXTCHRG] bits and TSI_GENCS[REFCHRG] bits still control the corresponding current sources, that is, TSI_GENCS[EXTCHRG] controls the reference oscillator current and TSI_GENCS[REFCHRG] controls the electrode oscillator current.

41.4.9 End of scan

As a scan starts, [SCNIP] bit is set to indicate scan is in progress. When the scan completes, the [EOSF] bit is set. Before clearing the [EOSF] bit, the value in TSI_DATA[TSICNT] must be read. If the TSI_GENCS[TSIEN] and TSI_GENCS[ESOR] are set and TSI_GENCS[DMAEN] is not set, an interrupt is submitted to CPU for post-processing immediately. The interrupt is also optional to wake MCU to execute ISR if it is in low power mode. When DMA function is enabled by setting TSI_GENCS[TSIEN] and TSI_GENCS[ESOR], as soon as scan completes, a DMA transfer request is asserted to DMA controller for data movement, generally, DMA engine will fetch TSI conversion result from TSI_DATA register, store it to other memory space and then refresh the TSI scan channel index(TSI_DATA[TSICH]) for next loop. When DMA transfer is done, TSI_GENCS[EOSF] is cleared automatically.

41.4.10 Out-of-range interrupt

If enabled, TSI will scan the electrode specified by TSI_DATA[TSICH] as soon as the trigger arrives. The TSI_GENCS[OUTRGF] flag generates a TSI interrupt request if the TSI_GENCS[TSIIE] bit is set and GENCS[ESOR] bit is cleared. With this configuration, after the end-of-electrode scan, the electrode capacitance will be converted and stored to the result register TSI_DATA[TSICNT], the out-of-range interrupt is only requested if

there is a considerable capacitance change defined by the TSI_TSHD. For instance, if in low power mode the electrode capacitance does not vary, the out-of-range interrupt does not interrupt the CPU. This interrupt will not happen in noise detection mode. It is worthy to note that when the counter value reaches 0xFFFF is treated as an extreme case the out-of-range will not happen. Also in noise detection mode, the out-of-range will not assert either.

41.4.11 Wake up MCU from low power modes

In low power modes, once enabled by TSI_GENCS[STPE] and TSI_GENCS[TSIIE], TSI can bring MCU out of its low power modes(STOP, VLPS, VLLS,etc) by either end of scan or out of range interrupt, that is, if TSI_GENCS[ESOR] is set, end of scan interrupt is selected and otherwise, out of range is selected.

41.4.12 DMA function support

Transmit by DMA is supported only when TSI_DATA[DMAEN] is set. A DMA transfer request is asserted when all the flags based on TSI_GENCS[ESOR] settings and TSI_GENCS[TSIIE] are set. Then the on-chip DMA controller detects this request and transfers data between memory space and TSI register space. After the data transfer, DMA DONE is asserted to clear TSI_GENCS[EOSF] automatically. This function is normally used by DMA controller to get the conversion result from TSI_DATA[TSICNT] upon a end-of-scan event and then refresh the channel index(TSI_DATA[TSICH]) for next trigger. DMA function is not available when MCU is in stop modes.

41.4.13 Noise detection mode

The noise detection mode change the circuit configuration as shown in the following figure. With this configuration, it is possible to detect touch with high levels of EMC noise present. To enter the test mode, see TSIx_GENCS[MODE] register field.

In noise detection mode the reference oscillator has the same configuration except the output goes to Counter2 and this counter will have the it's maximum count set by NSCN. $2^{(PS)}$. This means this oscillator will setup the noise detection mode sense duration.

The blocks of external oscillator is changed and instead of an oscillator the circuit implements an RF amplitude detection. The threshold for this amplitude detection is set by DVOLT register bits.

Also the external voltage is biased by vmid voltage with a Rs series resistance.

The vmid voltage is defined as $V(\text{vmid}) = (V(\text{vp}) + V(\text{vm}))/2$.

The Rs value is defined by i_ext_3v<2:0> register bits.

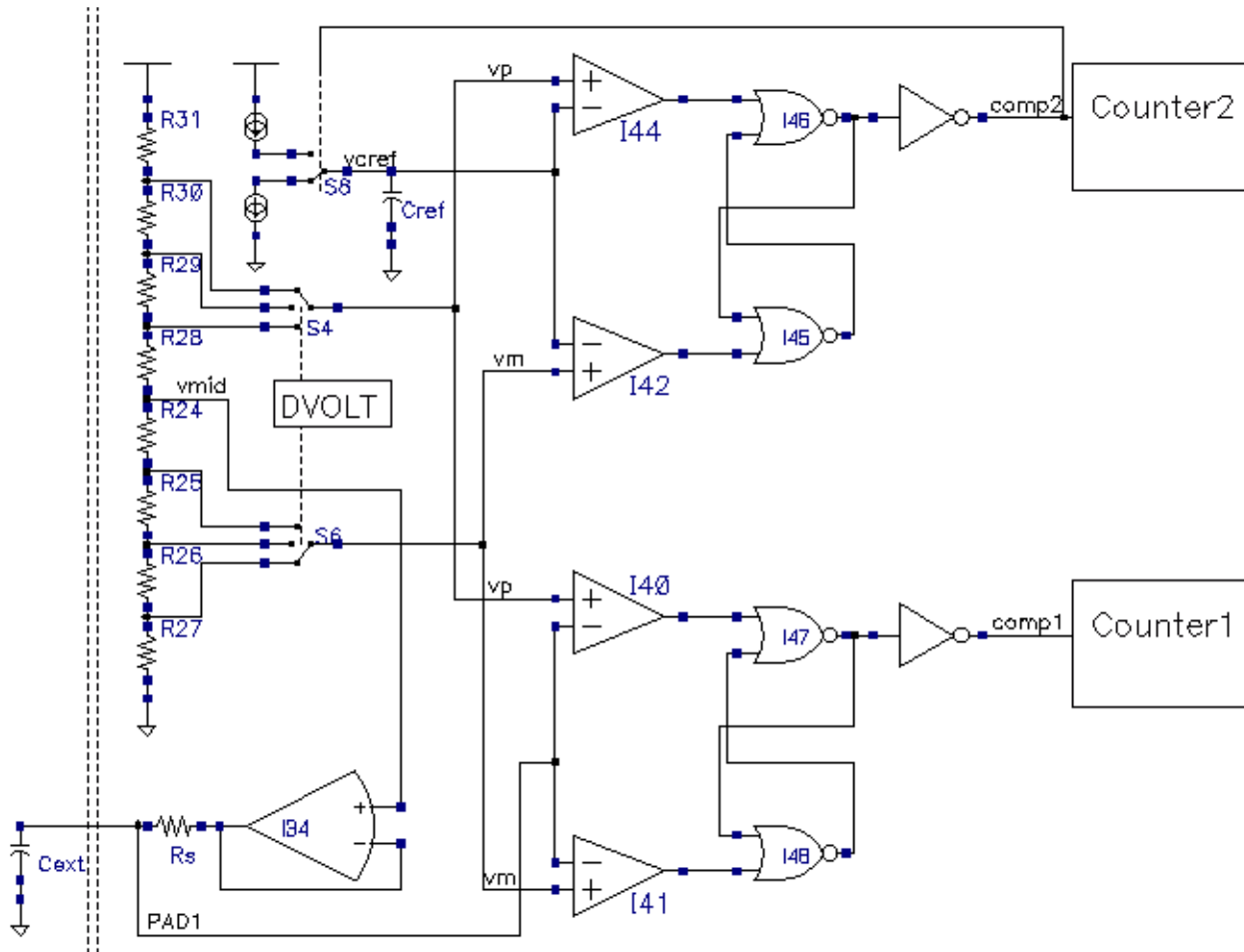


Figure 41-15. TSI circuit in noise detection mode

To determine the noise level the below algorithm can be used:

1. Initialize $R_s = \text{maxrs}$; $Dv_{\text{olt}} = \text{minDv}$ (set other configurations also)
2. Perform a noise cycle.
3. If $\text{TSIcounter} < 3$, go to step 8
4. If $R_s = \text{minrs}$, go to step 6.
5. Reduce value of R_s . go to step 2
6. If $Dv_{\text{olt}} = \text{maxDv}$, go to END
7. Increase value of Dv_{olt} . Set $R_s = \text{maxrs}$. go to step 2
8. If $R_s > \text{minrs}$, (Reduce value of R_s , go to END)
9. $R_s = \text{maxrs}$, reduce value of Dv_{olt} .
10. END Get value of R_s and Dv_{olt} .

Functional description

One example of noise detection mode is shown in the following figure. In this figure the TSI is working in capacitive mode until 30 μ s when it is changed to noise detection mode. In noise detection mode the selected pad is biased with 0.815V and all AC waveform in this pad is caused by a noise source external to IC.

It is possible to observe in the following figure that, in noise detection mode, the `clkref` output has the peak detection and the number of detected peaks can be counted or used by digital block. The `clkext` output has the internal oscillator output and can be used to set the maximum noise detection time window.

The waveform of the following figure shows two operations during noise detection mode:

- The `V(vp)` and `V(vm)` thresholds are changed in 34.4 μ s.
- The `Rs` series resistance value is changed between 184 k Ω (`iext<2:0>=011`) and 32 k Ω (`iext<2:0>=101`). Because of this `Rs` change the amplitude of noise waveform change also.



Figure 41-16. TSI noise detection mode waveform

41.4.13.1 Automatic noise mode

This mode is set by $\text{MODE}[3:2] = 11$ (noise mode 3). In this mode, the thresholds are incremented internally by the module until the point that there is no noise voltage trespassing the threshold.

The following diagram shows how it is done. The threshold comparator output goes to a counter and as the DVOLT control bits are increased the DVOLT thresholds are increased as well. The four bits are counted until 1111 (=15) and the counter is stop with this maximum value.

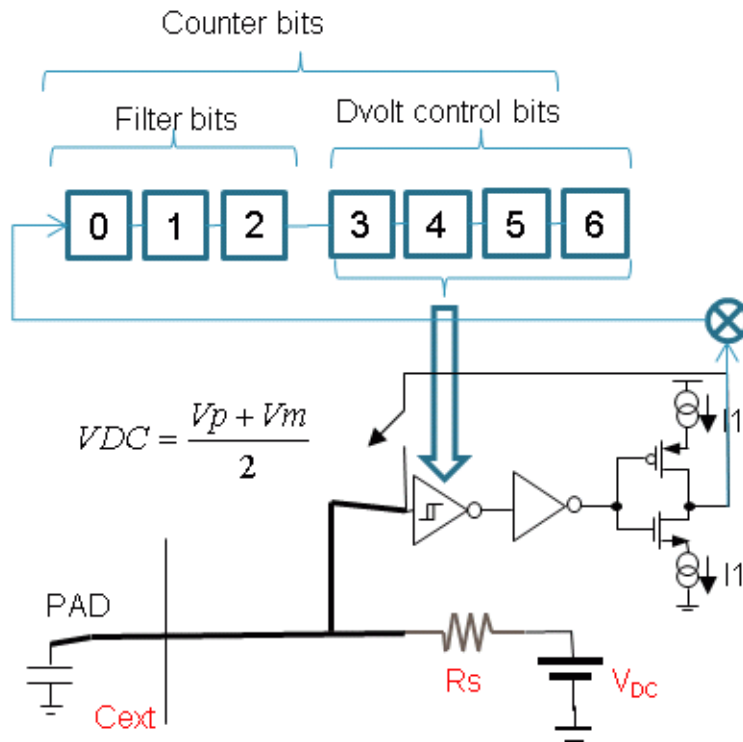


Figure 41-17. Block diagram automatic noise threshold operation

The signals that have different behavior in this noise mode (wrt capacitive mode) are shown in the following table.

Table 41-12. Signal properties in automatic noise operation mode

Name	Function	I/O type	Power Up/Reset state
MODE[3:2]	11 - Noise mode operation with frequency limitation and automatic threshold counter.	I	00

Table continues on the next page...

Table 41-12. Signal properties in automatic noise operation mode (continued)

Name	Function	I/O type	Power Up/Reset state
EXTCHRG[2:1]	In this operation mode these bits select the number of filter bits. 00 - 3 filter bits 01 - 2 filter bits 10 - 1 filter bit 11 - no filter bit	I	00
EXTCHRG[0]	In this operation mode this bits selects the series resistance. 0 - uses $R_s=32\text{ k}\Omega$ 1 - uses $R_s=187\text{ k}\Omega$ Independent of this bit selection the threshold 15 is done with $R_s = 5.5\text{ k}\Omega$	I	0
DVOLT[1:0]	Select voltage rails of the internal oscillator	I	00
MODE[3:0]	DVOLT counter bits output. This register content is reset always the MODE[3:2] is not 11, and after beginning of automatic noise mode operation.	O	0000

41.4.13.2 Single threshold noise modes

These modes reset by MODE[3:2]=01 and 10. The difference between these two modes is that in mode 2 (MODE[3:2]=10) there is a frequency limitation circuit that enables the circuit to operate in higher frequencies. In mode 1 (MODE[3:2]=01) this frequency limitation circuit is not enabled.

In this mode the thresholds are set by user via register bits as described in the following table.

During these modes the internal oscillator rails are set to the maximum (equivalent to DVOLT[1:0]=00).

Table 41-13. Signal properties in single noise modes (1,2)

Name	Function	I/O type	Power up / reset
MODE[3:2]	01 or 10- Single threshold noise mode operation.	I	00

Table continues on the next page...

Table 41-13. Signal properties in single noise modes (1,2) (continued)

Name	Function	I/O type	Power up / reset
DVOLT[1:0], EXTCHRG[2:1]	<p>In this operation mode these 4 bits are used select the noise threshold.</p> <p>0000 - DVpm = 0.038 V, Vp = 0.834 V, Vm = 0.796 V</p> <p>0001 - DVpm = 0.050 V, Vp = 0.830 V, Vm = 0.790 V</p> <p>0010 - DVpm = 0.066 V, Vp = 0.848 V, Vm = 0.782 V</p> <p>0011 - DVpm = 0.087 V, Vp = 0.858 V, Vm = 0.772 V</p> <p>0100 - DVpm = 0.114 V, Vp = 0.872 V, Vm = 0.758 V</p> <p>0101 - DVpm = 0.150 V, Vp = 0.890 V, Vm = 0.740 V</p> <p>0110 - DVpm = 0.197 V, Vp = 0.914 V, Vm = 0.716 V</p> <p>0111 - DVpm = 0.260 V, Vp = 0.945 V, Vm = 0.685 V</p> <p>1000 - DVpm = 0.342 V, Vp = 0.986 V, Vm = 0.644 V</p> <p>1001 - DVpm = 0.450 V, Vp = 1.040 V, Vm = 0.590 V</p> <p>1010 - DVpm = 0.592 V, Vp = 1.111 V, Vm = 0.519 V</p> <p>1011 - DVpm = 0.780 V, Vp = 1.205 V, Vm = 0.425 V</p> <p>1100 - DVpm = 1.026 V, Vp = 1.328 V, Vm = 0.302 V</p> <p>1101 - DVpm = 1.350 V, Vp = 1.490 V, Vm = 0.140 V</p> <p>1110 - DVpm = 1.630 V, Vp = 1.630 V, Vm = 0 V</p> <p>1111 - DVpm = 1.630 V, Vp = 1.630 V, Vm = 0 V</p>	I	XXXX
EXTCHRG[0]	<p>In this operation mode this bits selects the series resistance.</p> <p>0 - uses Rs = 32 kΩ.</p> <p>1- uses Rs = 187 kΩ.</p> <p>Independent of this bit selection the threshold 15 is done with Rs = 5.5 kΩ.</p>	I	XX

Chapter 42

LCD Controller (SLCD)

42.1 Introduction

NOTE

For the chip-specific implementation details of this module's instances, see the chip configuration information.

The SLCD module is a CMOS charge pump voltage inverter that is designed for low-voltage and low-power operation. SLCD is designed to generate the appropriate waveforms to drive multiplexed numeric, alphanumeric, or custom segment LCD panels. SLCD also has several timing and control settings that can be software configured depending on the application's requirements. Timing and control consists of registers and control logic for:

- LCD frame frequency
- Duty cycle selection
- Front plane/back plane selection and enabling
- Blink modes and frequency
- Operation in low-power modes

42.1.1 Features

SLCD includes these features:

- LCD waveforms functional in all low-power modes
- 64 LCD pins with selectable front plane/back plane configuration to:

- Generate up to 63 front plane signals
- Generate up to 8 back plane signals
- Programmable LCD frame frequency
- Programmable blink modes and frequency
 - All segments blank during blink period
 - Alternate display for each LCD segment in x4 or less mode
 - Blink operation in low-power modes
- Programmable LCD duty cycle from static to 1/8
- Programmable LCD power supply switch, making it an ideal solution for battery-powered and board-level applications
 - Charge pump that requires only four external capacitors
 - Internal LCD power using V_{DD}
 - Internal V_{IREG} regulated power supply option
 - External V_{LL3} power supply option
- Internal regulated voltage source with a 4-bit trim register to apply contrast control
- Integrated charge pump for generating LCD bias voltages
 - On-chip generation of bias voltages
- Waveform storage registers (WF)
- Low power consumption in standby modes
- Back plane reassignment to assist in vertical scrolling on dot-matrix displays
- Support for segment fault detection

42.1.2 Modes of operation

SLCD supports the following operating modes:

Table 42-1. SLCD operation modes

Mode	LCD behavior
Run	SLCD can operate an LCD panel. SLCD continues displaying the current LCD panel contents based on the WF registers.
Wait	Depending on the configuration, SLCD can operate an LCD panel in Wait mode. If LCDDOZE = 1, SLCD clock generation is turned off and the SLCD enters a power-conservation state and is disabled. If LCDDOZE = 0, the LCD controller can operate an LCD panel in Wait mode, and SLCD continues displaying the current LCD panel contents based on the WF registers. In Wait mode, the LCD frame interrupt can cause the MCU to exit Wait.
Stop	Depending on the state of the LCDSTP bit, SLCD can operate an LCD panel in Stop mode. If LCDSTP = 1, SLCD clock generation is turned off and the LCD controller enters a power conservation state and is disabled. If LCDSTP = 0, the LCD controller can operate an LCD panel in Stop mode, and SLCD continues to display the current LCD panel contents based on the LCD operation prior to the Stop event. If the LCD is enabled in Stop mode, the selected LCD clock source must be enabled to operate in Stop mode. The LCD frame interrupt does not cause the MCU to exit Stop mode.
VLPR	SLCD behavior is the same as in Run mode.
VLPW	SLCD behavior is the same as in Wait mode.
VLPS	SLCD behavior is the same as in Stop mode.
LLS	SLCD behavior is the same as in Stop mode.
VLLS3	SLCD behavior is the same as in Stop mode.
VLLS1	SLCD behavior is the same as in Stop mode.

NOTE

LCD End of Frame wakeup is not supported in LLS and VLLSx modes.

NOTE

The clock source and power modes are chip-specific. For the clock source and power-mode assignments, see the chapter that describes how modules are configured.

42.1.3 Block diagram

Figure 42-1 shows the SLCD block diagram.

LCD signal descriptions

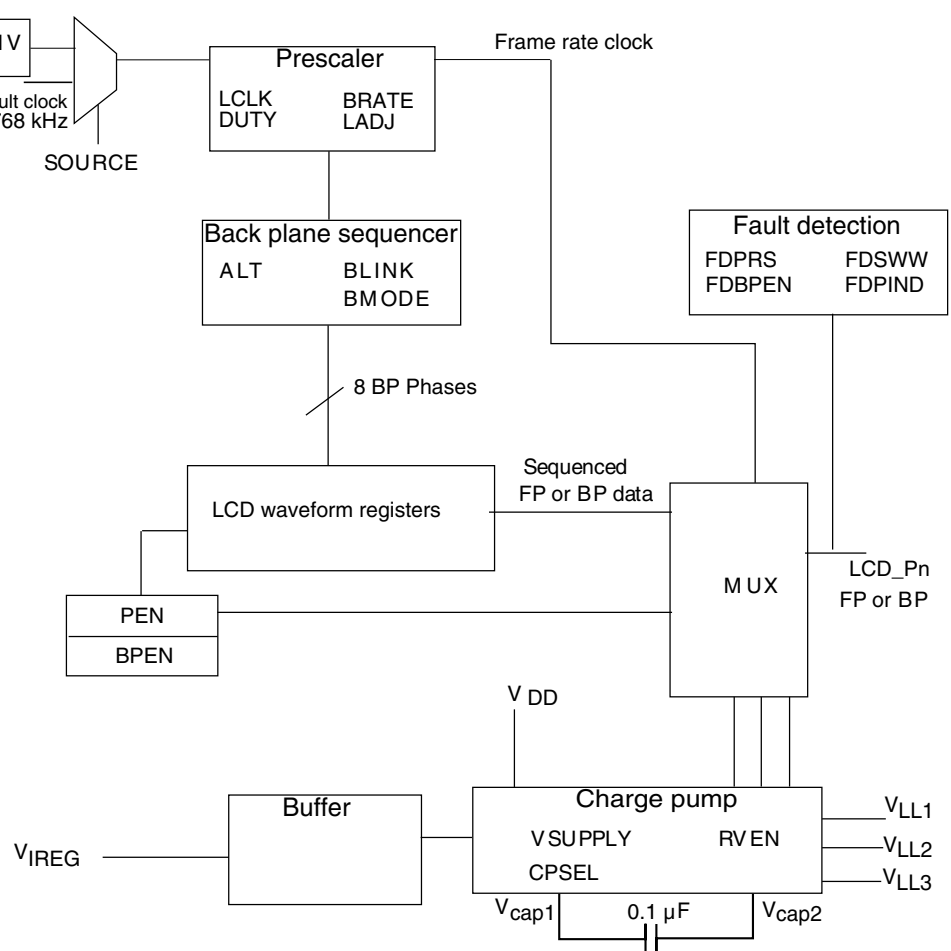


Figure 42-1. SLCD block diagram

42.2 LCD signal descriptions

SLCD has several external pins dedicated to power supply and LCD front plane/back plane signaling. SLCD can be configured to support up to eight back plane signals. This table lists and describes the LCD external signals or pins.

Table 42-2. LCD signal descriptions

Signal	Description	I/O
LCD_P[63:0] . 64 LCD front plane/back plane	Configurable front plane/back plane driver that connects directly to the display LCD_P[63:0] can operate as GPIO pins	O
V _{LL1} , V _{LL2} , V _{LL3} . LCD bias voltages	LCD bias voltages (requires external capacitors when charge pump is used)	I/O
V _{cap1} , V _{cap2} . LCD charge pump capacitance	Charge pump capacitor pins	O

42.2.1 LCD_P[63:0]

When LCD functionality is enabled by the PEN[63:0] bits in the PEN registers, the corresponding LCD_P[63:0] pin generates a front plane or back plane waveform depending on the configuration of the back plane enable field (BPEN[63:0]).

42.2.2 V_{LL1} , V_{LL2} , V_{LL3}

V_{LL1} , V_{LL2} , and V_{LL3} are bias voltages for the LCD controller driver waveforms that can be internally generated using the internal charge pump, when enabled. When using the LCD charge pump, CPSEL = 1, a 0.1 μ F capacitor (C_{BYLCD}) must be placed from V_{LLx} to ground. The charge pump can also be configured to accept V_{LL3} as an input and generate V_{LL1} and V_{LL2} . V_{LL3} must never be connected to a voltage other than V_{DD} . Refer to VSUPPLY explanation. V_{LL1} and V_{LL2} can also generate a front plane or back plane waveform if enabled by the assigned PEN[x] bit in the PEN register and the internal bias generator is enabled in high power mode. Refer to LADJ[1:0] and CPSEL bit explanations.

42.2.3 V_{cap1} , V_{cap2}

The charge pump capacitor (C_{LCD}) is used to transfer charge from the input supply to the regulated output. Use a ceramic capacitor. A 0.1 μ F capacitor must be placed between these two pins. V_{CAP1} and V_{CAP2} can also generate a front plane or back plane waveform if enabled by the assigned PEN[x] bit in the PEN register and the internal bias generator is enabled. Refer to CPSEL bit explanation.

42.3 Memory map and register definition

The total address for each register is the sum of the base address for SLCD and the address offset for each register.

This section consists of register descriptions. Each description includes a standard register diagram. Details of register bit and field function follow the register diagrams, in bit order.

LCD memory map

Absolute address (hex)	Register name	Width (in bits)	Access	Reset value	Section/page
4005_3000	LCD General Control Register (LCD_GCR)	32	R/W	See section	42.3.1/815
4005_3004	LCD Auxiliary Register (LCD_AR)	32	R/W	0000_0000h	42.3.2/819
4005_3008	LCD Fault Detect Control Register (LCD_FDCR)	32	R/W	0000_0000h	42.3.3/821
4005_300C	LCD Fault Detect Status Register (LCD_FDSR)	32	R/W	0000_0000h	42.3.4/823
4005_3010	LCD Pin Enable register (LCD_PENL)	32	R/W	0000_0000h	42.3.5/824
4005_3014	LCD Pin Enable register (LCD_PENH)	32	R/W	0000_0000h	42.3.5/824
4005_3018	LCD Back Plane Enable register (LCD_BPENL)	32	R/W	0000_0000h	42.3.6/825
4005_301C	LCD Back Plane Enable register (LCD_BPENH)	32	R/W	0000_0000h	42.3.6/825
4005_3020	LCD Waveform register (LCD_WF3TO0)	32	R/W	0000_0000h	42.3.7/825
4005_3024	LCD Waveform register (LCD_WF7TO4)	32	R/W	0000_0000h	42.3.8/826
4005_3028	LCD Waveform register (LCD_WF11TO8)	32	R/W	0000_0000h	42.3.9/827
4005_302C	LCD Waveform register (LCD_WF15TO12)	32	R/W	0000_0000h	42.3.10/ 828
4005_3030	LCD Waveform register (LCD_WF19TO16)	32	R/W	0000_0000h	42.3.11/ 828
4005_3034	LCD Waveform register (LCD_WF23TO20)	32	R/W	0000_0000h	42.3.12/ 829
4005_3038	LCD Waveform register (LCD_WF27TO24)	32	R/W	0000_0000h	42.3.13/ 829
4005_303C	LCD Waveform register (LCD_WF31TO28)	32	R/W	0000_0000h	42.3.14/ 830
4005_3040	LCD Waveform register (LCD_WF35TO32)	32	R/W	0000_0000h	42.3.15/ 831
4005_3044	LCD Waveform register (LCD_WF39TO36)	32	R/W	0000_0000h	42.3.16/ 831
4005_3048	LCD Waveform register (LCD_WF43TO40)	32	R/W	0000_0000h	42.3.17/ 832
4005_304C	LCD Waveform register (LCD_WF47TO44)	32	R/W	0000_0000h	42.3.18/ 832
4005_3050	LCD Waveform register (LCD_WF51TO48)	32	R/W	0000_0000h	42.3.19/ 833
4005_3054	LCD Waveform register (LCD_WF55TO52)	32	R/W	0000_0000h	42.3.20/ 834
4005_3058	LCD Waveform register (LCD_WF59TO56)	32	R/W	0000_0000h	42.3.21/ 834
4005_305C	LCD Waveform register (LCD_WF63TO60)	32	R/W	0000_0000h	42.3.22/ 835

42.3.1 LCD General Control Register (LCD_GCR)

Write: LCDEN anytime. Do not change SOURCE, LCLK, or DUTY while LCDEN = 1. For proper operation, do not modify VSUPPLY while the LCDEN bit is asserted. VSUPPLY must also be configured according to the external hardware power supply configuration.

NOTE

The reset value of this register depends on the reset type:

- POR -- 0x0831_0003

Address: 4005_3000h base + 0h offset = 4005_3000h

Bit	31	30	29	28	27	26	25	24	23	22	21	20	19	18	17	16
R		0			RVTRIM				CPSEL	Reserved	LADJ		0	0	VSUPPLY	0
W	RVEN															
Reset		0*	0*	0*	1*	0*	0*	0*	0*	0*	1*	1*	0	0	0*	0*
Bit	15	14	13	12	11	10	9	8	7	6	5	4	3	2	1	0
R	PADSAFE	FDCIEN	ALTDIV		ALTSOURCE	FFR	LCDDOZE	LCDSTP	LCDEN	SOURCE	LCLK		DUTY			
W																
Reset	0*	0*	0*	0*	0*	0*	0*	0*	0*	0*	0*	0*	0*	0*	1*	1*

* Notes:

-

LCD_GCR field descriptions

Field	Description
31 RVEN	Regulated Voltage Enable Enables internal voltage regulator. It must have the charge pump enabled. 0 Regulated voltage disabled. 1 Regulated voltage enabled.
30–28 Reserved	Reserved This field is reserved. This read-only field is reserved and always has the value 0.
27–24 RVTRIM	Regulated Voltage Trim

Table continues on the next page...

LCD_GCR field descriptions (continued)

Field	Description				
	This 4-bit trim register is used to adjust the regulated input. Each bit in the register has equal weight. The regulated input is changed by 1.5% for each count.				
23 CPSEL	<p>Charge Pump or Resistor Bias Select</p> <p>Selects the LCD controller charge pump or a resistor network to supply the LCD voltages V_{LL1}, V_{LL2}, and V_{LL3}.</p> <p>0 LCD charge pump is disabled. Resistor network selected. (The internal 1/3-bias is forced.)</p> <p>1 LCD charge pump is selected. Resistor network disabled. (The internal 1/3-bias is forced.)</p>				
22 Reserved	<p>Reserved</p> <p>This field is reserved.</p> <p>NOTE: This bit should always be zero and nothing should be written to it</p>				
21–20 LADJ	<p>Load Adjust</p> <p>Configures SLCD to handle different LCD glass capacitance.</p> <table border="1" style="width: 100%; border-collapse: collapse;"> <tr> <td style="width: 50%; vertical-align: top;">For CPSEL = 0</td> <td style="width: 50%; vertical-align: top;"> <p>Adjust the resistor bias network for different LCD glass capacitance.</p> <p>00 — Low Load (LCD glass capacitance 2000 pF or lower). LCD or GPIO functions can be used on V_{LL1}, V_{LL2}, V_{CAP1} and V_{CAP2} pins.</p> <p>01 — Low Load (LCD glass capacitance 2000 pF or lower). LCD or GPIO functions can be used on V_{LL1}, V_{LL2}, V_{CAP1} and V_{CAP2} pins.</p> <p>10 — High Load (LCD glass capacitance 8000 pF or lower) LCD or GPIO functions can be used on V_{CAP1} and V_{CAP2} pins. .</p> <p>11 — High Load (LCD glass capacitance 8000 pF or lower). LCD or GPIO functions can be used on V_{CAP1} and V_{CAP2} pins.</p> </td> </tr> <tr> <td style="vertical-align: top;">For CPSEL = 1</td> <td style="vertical-align: top;"> <ul style="list-style-type: none"> • Adjust the clock source for the charge pump. • Higher loads require higher charge pump clock rates. <p>00 — Fastest clock source for charge pump (LCD glass capacitance 8000 pF or 4000pF or lower if FFR is set).</p> <p>01 — Intermediate clock source for charge pump (LCD glass capacitance 4000 pF or 2000pF or lower if FFR is set).</p> <p>10 — Intermediate clock source for charge pump (LCD glass capacitance 2000 pF or 1000pF or lower if FFR is set).</p> <p>11 — Slowest clock source for charge pump (LCD glass capacitance 1000 pF or 500pF or lower if FFR is set).</p> </td> </tr> </table>	For CPSEL = 0	<p>Adjust the resistor bias network for different LCD glass capacitance.</p> <p>00 — Low Load (LCD glass capacitance 2000 pF or lower). LCD or GPIO functions can be used on V_{LL1}, V_{LL2}, V_{CAP1} and V_{CAP2} pins.</p> <p>01 — Low Load (LCD glass capacitance 2000 pF or lower). LCD or GPIO functions can be used on V_{LL1}, V_{LL2}, V_{CAP1} and V_{CAP2} pins.</p> <p>10 — High Load (LCD glass capacitance 8000 pF or lower) LCD or GPIO functions can be used on V_{CAP1} and V_{CAP2} pins. .</p> <p>11 — High Load (LCD glass capacitance 8000 pF or lower). LCD or GPIO functions can be used on V_{CAP1} and V_{CAP2} pins.</p>	For CPSEL = 1	<ul style="list-style-type: none"> • Adjust the clock source for the charge pump. • Higher loads require higher charge pump clock rates. <p>00 — Fastest clock source for charge pump (LCD glass capacitance 8000 pF or 4000pF or lower if FFR is set).</p> <p>01 — Intermediate clock source for charge pump (LCD glass capacitance 4000 pF or 2000pF or lower if FFR is set).</p> <p>10 — Intermediate clock source for charge pump (LCD glass capacitance 2000 pF or 1000pF or lower if FFR is set).</p> <p>11 — Slowest clock source for charge pump (LCD glass capacitance 1000 pF or 500pF or lower if FFR is set).</p>
For CPSEL = 0	<p>Adjust the resistor bias network for different LCD glass capacitance.</p> <p>00 — Low Load (LCD glass capacitance 2000 pF or lower). LCD or GPIO functions can be used on V_{LL1}, V_{LL2}, V_{CAP1} and V_{CAP2} pins.</p> <p>01 — Low Load (LCD glass capacitance 2000 pF or lower). LCD or GPIO functions can be used on V_{LL1}, V_{LL2}, V_{CAP1} and V_{CAP2} pins.</p> <p>10 — High Load (LCD glass capacitance 8000 pF or lower) LCD or GPIO functions can be used on V_{CAP1} and V_{CAP2} pins. .</p> <p>11 — High Load (LCD glass capacitance 8000 pF or lower). LCD or GPIO functions can be used on V_{CAP1} and V_{CAP2} pins.</p>				
For CPSEL = 1	<ul style="list-style-type: none"> • Adjust the clock source for the charge pump. • Higher loads require higher charge pump clock rates. <p>00 — Fastest clock source for charge pump (LCD glass capacitance 8000 pF or 4000pF or lower if FFR is set).</p> <p>01 — Intermediate clock source for charge pump (LCD glass capacitance 4000 pF or 2000pF or lower if FFR is set).</p> <p>10 — Intermediate clock source for charge pump (LCD glass capacitance 2000 pF or 1000pF or lower if FFR is set).</p> <p>11 — Slowest clock source for charge pump (LCD glass capacitance 1000 pF or 500pF or lower if FFR is set).</p>				

Table continues on the next page...

LCD_GCR field descriptions (continued)

Field	Description
19 Reserved	Reserved This field is reserved. This read-only field is reserved and always has the value 0.
18 Reserved	Reserved This field is reserved. This read-only field is reserved and always has the value 0.
17 VSUPPLY	Voltage Supply Control Configures whether the LCD controller power supply is external or internal. Avoid modifying this field while the LCD controller is enabled, for example, if LCDEN = 1. 0 Drive V_{LL3} internally from V_{DD} 1 Drive V_{LL3} externally from V_{DD} or drive V_{LL} internally from V_{IREG}
16 Reserved	This field is reserved. This read-only field is reserved and always has the value 0.
15 PADSAFE	Pad Safe State Enable Force safe state on LCD pad controls (all LCD frontplane and backplane functions disabled) regardless of other LCD control bits. 0 LCD frontplane and backplane functions enabled according to other LCD control bits 1 LCD frontplane and backplane functions disabled
14 FDCIEN	LCD Fault Detection Complete Interrupt Enable Enables an LCD interrupt event when fault detection is completed. 0 No interrupt request is generated by this event. 1 When a fault is detected and FDCF bit is set, this event causes an interrupt request.
13–12 ALTDIV	LCD AlternateClock Divider Functions as a clock divider to divide the alternate clock before it is selected as LCD clock source. 0 Divide factor = 1 (No divide) 1 Divide factor = 8 2 Divide factor = 64 3 Divide factor = 512
11 ALTSOURCE	Selects the alternate clock source 0 Select Alternate Clock Source 1 (default) 1 Select Alternate Clock Source 2
10 FFR	Fast Frame Rate Select Increases the Frame Clock Frequency. 0 Standard Frame Rate LCD Frame Freq: 23.3 (min) 73.1 (max) 1 Fast Frame Rate (Standard Frame Rate x2) LCD Frame Freq: 46.6 (min) 146.2 (max)
9 LCDDOZE	LCD Doze enable LCD driver, charge pump, resistor bias network, and voltage regulator stop while in Doze mode.

Table continues on the next page...

LCD_GCR field descriptions (continued)

Field	Description
	<p>0 Allows the LCD driver, charge pump, resistor bias network, and voltage regulator to continue running during Doze mode.</p> <p>1 Disables the LCD driver, charge pump, resistor bias network, and voltage regulator when MCU enters Doze mode.</p>
8 LCDSTP	<p>LCD Stop</p> <p>LCD driver, charge pump, resistor bias network, and voltage regulator stop while in Stop mode.</p> <p>0 Allows the LCD driver, charge pump, resistor bias network, and voltage regulator to continue running during Stop mode.</p> <p>1 Disables the LCD driver, charge pump, resistor bias network, and voltage regulator when MCU enters Stop mode.</p>
7 LCDEN	<p>LCD Driver Enable</p> <p>Starts LCD controller waveform generator.</p> <p>0 All front plane and back plane pins are disabled. The LCD controller system is also disabled, and all LCD waveform generation clocks are stopped. V_{LL3} is connected to V_{DD} internally. All LCD pins, LCD_Pn, enabled using the LCD Pin Enable register, output a low value.</p> <p>1 LCD controller driver system is enabled, and front plane and back plane waveforms are generated. All LCD pins, LCD_Pn, enabled if PAD_SAFE is clearusing the LCD Pin Enable register, output an LCD driver waveform. The back plane pins output an LCD driver back plane waveform based on the settings of DUTY[2:0]. Charge pump or resistor bias is enabled.</p>
6 SOURCE	<p>LCD Clock Source Select</p> <p>This bit is used to select which clock source is the basis for LCD clock.</p> <p>NOTE: The clock sources are chip-specific. For the clock source assignments, see the chapter that describes how modules are configured. Alternate clock can be only MCGIRCLK, and therefore when SOURCE=1, SIM_SOPT1[OSC32KSEL] bit plays no role. Default clock can be either MCGIRCLK, ERCLK32K, OSC32KCLK, according to the selection in SIM_SOPT1[OSC32KSEL].</p> <p>0 Selects the default clock as the LCD clock source.</p> <p>1 Selects output of the alternate clock source selection (see ALTSOURCE) as the LCD clock source.</p>
5–3 LCLK	<p>LCD Clock Prescaler</p> <p>Used as a clock divider to generate the SLCD frame frequency. LCD controller duty cycle configuration is used to determine the LCD controller frame frequency. LCD controller frame frequency calculations are provided in SLCD base clock and frame frequency .</p> $\text{LCD controller frame frequency} = \text{LCD clock} / ((\text{DUTY} + 1) \times 8 \times (4 + \text{LCLK}[2:0]) \times Y)$ <p>where:</p> <ul style="list-style-type: none"> • $30 < \text{LCD clock} < 39.063 \text{ kHz}$ • $Y = 2, 2, 3, 3, 4, 5, 8, 16$ chosen by module duty cycle configuration
2–0 DUTY	<p>LCD duty select</p> <p>Selects the duty cycle of the LCD controller driver.</p> <p>000 Use 1 BP (1/1 duty cycle).</p> <p>001 Use 2 BP (1/2 duty cycle).</p> <p>010 Use 3 BP (1/3 duty cycle).</p>

Table continues on the next page...

LCD_GCR field descriptions (continued)

Field	Description
011	Use 4 BP (1/4 duty cycle). (Default)
100	
101	
110	
111	Use 8 BP (1/8 duty cycle).

42.3.2 LCD Auxiliary Register (LCD_AR)

NOTE

The reset value of this register depends on the reset type:

- POR — 0x0000_0000

Address: 4005_3000h base + 4h offset = 4005_3004h

Bit	31	30	29	28	27	26	25	24	23	22	21	20	19	18	17	16
R	0															
W																
Reset	0	0	0	0	0	0	0	0	0	0	0	0	0	0	0	0
Bit	15	14	13	12	11	10	9	8	7	6	5	4	3	2	1	0
R	0				0				BLINK	ALT	BLANK	0	BMODE			BRATE
W																
Reset	0	0	0	0	0	0	0	0	0	0	0	0	0	0	0	0

LCD_AR field descriptions

Field	Description
31–16 Reserved	Reserved This field is reserved. This read-only field is reserved and always has the value 0.
15 Reserved	This field is reserved. This read-only field is reserved and always has the value 0.
14–8 Reserved	Reserved This field is reserved. This read-only field is reserved and always has the value 0.

Table continues on the next page...

LCD_AR field descriptions (continued)

Field	Description
7 BLINK	<p>Blink command</p> <p>Starts or stops SLCD blinking.</p> <p>0 Disables blinking. 1 Starts blinking at blinking frequency specified by LCD blink rate calculation.</p>
6 ALT	<p>Alternate display mode</p> <p>For four back planes or less, the LCD back plane sequencer changes to output an alternate display. ALT bit is ignored if DUTY[2:0] is 100 or greater.</p> <p>0 Normal display mode. 1 Alternate display mode.</p>
5 BLANK	<p>Blank display mode</p> <p>Asserting this bit clears all segments in the LCD.</p> <p>0 Normal or alternate display mode. 1 Blank display mode.</p>
4 Reserved	<p>Reserved</p> <p>This field is reserved. This read-only field is reserved and always has the value 0.</p>
3 BMODE	<p>Blink mode</p> <p>Selects the blink mode displayed during the blink period.</p> <p>0 Display blank during the blink period. 1 Display alternate display during blink period (Ignored if duty is 5 or greater).</p>
2-0 BRATE	<p>Blink-rate configuration</p> <p>Selects frequency at which the LCD blinks when the BLINK bit is asserted. The following equation provides an expression for the LCD controller blink rate and shows how BRATE field is used in the LCD blink-rate calculation. LCD controller blink rate = LCD clock / $2^{(12 + BRATE)}$</p>

42.3.3 LCD Fault Detect Control Register (LCD_FDCR)

NOTE

The reset value of this register depends on the reset type:

- POR — 0x0000_0000

Address: 4005_3000h base + 8h offset = 4005_3008h

Bit	31	30	29	28	27	26	25	24	23	22	21	20	19	18	17	16
R	0															
W	[Shaded]															
Reset	0	0	0	0	0	0	0	0	0	0	0	0	0	0	0	0
Bit	15	14	13	12	11	10	9	8	7	6	5	4	3	2	1	0
R	0	FDPRS			FDSWW			0	FDEN	FDBPEN	FDPINID					
W	[Shaded]							[Shaded]								
Reset	0	0	0	0	0	0	0	0	0	0	0	0	0	0	0	0

LCD_FDCR field descriptions

Field	Description
31–16 Reserved	Reserved This field is reserved. This read-only field is reserved and always has the value 0.
15 Reserved	Reserved This field is reserved. This read-only field is reserved and always has the value 0.
14–12 FDPRS	Fault Detect Clock Prescaler Fault detect sample clock frequency is: 0 1/1 bus clock. 1 1/2 bus clock. 2 1/4 bus clock. 3 1/8 bus clock. 4 1/16 bus clock. 5 1/32 bus clock. 6 1/64 bus clock. 7 1/128 bus clock.

Table continues on the next page...

LCD_FDCR field descriptions (continued)

Field	Description
11–9 FDSWW	<p>Fault Detect Sample Window Width</p> <p>Specifies the sample window width of fault detection, in number of cycles in the range from 4–512 (Sample window = $4 \cdot 2^N$).</p> <p>0 Sample window width is 4 sample clock cycles. 1 Sample window width is 8 sample clock cycles. 2 Sample window width is 16 sample clock cycles. 3 Sample window width is 32 sample clock cycles. 4 Sample window width is 64 sample clock cycles. 5 Sample window width is 128 sample clock cycles. 6 Sample window width is 256 sample clock cycles. 7 Sample window width is 512 sample clock cycles.</p>
8 Reserved	<p>Reserved</p> <p>This field is reserved. This read-only field is reserved and always has the value 0.</p>
7 FDEN	<p>Fault Detect Enable</p> <p>If LCDEN is 1, asserting FDEN inserts a test frame after normal LCD refresh frame is completed. After the test frame is done, Fault detection complete flag (FDCF) is set. When the test frame is done, a normal LCD refresh frame starts. FDEN is one-shot register, it clears after FDCF is set.</p> <p>To initiate another fault detection, FDEN must be set again.</p> <p>0 Disable fault detection. 1 Enable fault detection.</p>
6 FDBPEN	<p>Fault Detect Back Plane Enable</p> <p>Enables "back plane" timing for the fault detect circuit. FDBPEN = 0 generates front plane timing. This bit specifies the type of pin selected under fault detect test.</p> <p>0 Type of the selected pin under fault detect test is front plane. 1 Type of the selected pin under fault detect test is back plane.</p>
5–0 FDPINID	<p>Fault Detect Pin ID</p> <p>Specifies the LCD pin to be checked by pullup fault detection.</p> <p>0 Fault detection for LCD_P0 pin. 1 Fault detection for LCD_P1 pin. ... 63 Fault detection for LCD_P63 pin.</p>

42.3.4 LCD Fault Detect Status Register (LCD_FDSR)

NOTE

The reset value of this register depends on the reset type:

- POR — 0x0000_0000

Address: 4005_3000h base + Ch offset = 4005_300Ch

Bit	31	30	29	28	27	26	25	24	23	22	21	20	19	18	17	16
R	0															
W																
Reset	0	0	0	0	0	0	0	0	0	0	0	0	0	0	0	0
Bit	15	14	13	12	11	10	9	8	7	6	5	4	3	2	1	0
R	FDCF	0							FDCNT							
W	w1c															
Reset	0	0	0	0	0	0	0	0	0	0	0	0	0	0	0	0

LCD_FDSR field descriptions

Field	Description
31–16 Reserved	Reserved This field is reserved. This read-only field is reserved and always has the value 0.
15 FDCF	Fault Detection Complete Flag FDCF indicates that the fault detection is completed. Writing 1 to this bit clears it to zero. This bit also acts as an interrupt flag when FDCIEN is set. Software can use either interrupt or polling to check whether one pin fault detection is completed. 0 Fault detection is not completed. 1 Fault detection is completed.
14–8 Reserved	Reserved This field is reserved. This read-only field is reserved and always has the value 0.

Table continues on the next page...

LCD_FDSR field descriptions (continued)

Field	Description
7-0 FDCNT	<p>Fault Detect Counter</p> <p>Contains how many "one/high" are sampled inside the fault detect sample window.</p> <p>0 No "one" samples. 1 1 "one" samples. 2 2 "one" samples. ... 254 254 "one" samples. 255 255 or more "one" samples. The FDCNT can overflow. Therefore, FDSWW and FDPRS must be reconfigured for proper sampling.</p>

42.3.5 LCD Pin Enable register (LCD_PEN_n)

When LCDEN = 1, and PAD_SAFE=0 each PEN bit enables the corresponding LCD pin (LCD_P_n) for LCD waveform generation. When LCDEN=0, each PEN bit enabled to corresponding LCD pin (LCD_P_n) to drive a low output.

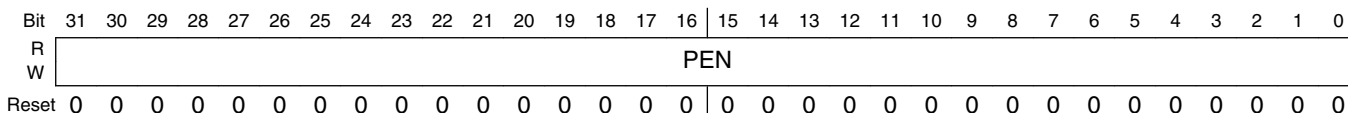
Initialize these registers before enabling the LCD controller.

NOTE

The reset value of this register depends on the reset type:

- POR — 0x0000_0000

Address: 4005_3000h base + 10h offset + (4d × i), where i=0d to 1d



LCD_PEN_n field descriptions

Field	Description
31-0 PEN	<p>LCD Pin Enable</p> <p>The PEN[63:0] bits enable the LCD_P[63:0] pins for LCD operation. PENL contains PEN[31:0], and PENH contains PEN[63:32].</p> <p>Each LCD_P[63:0] pin can be configured as a back plane or a front plane based on the corresponding BPEN[<i>n</i>] bit in the Back Plane Enable register (BPEN). If LCDEN = 0, these bits enable the pin to drive a low output. Set PEN[63:0] bits before LCDEN is set. When PAD_SAFE=1, these bits have no effect in any condition on the LCD_P[63:0] pins.</p> <p>0 LCD operation disabled on LCD_P_n. 1 LCD operation enabled on LCD_P_n.</p>

42.3.6 LCD Back Plane Enable register (LCD_BPEN_n)

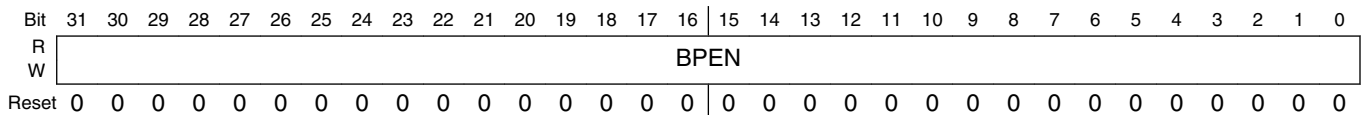
When PEN[n] = 1, the BPEN[63:0] bits configure the corresponding LCD pin to operate as an LCD back plane or an LCD front plane. Most applications set a maximum of eight of these bits. Initialize these registers before enabling the LCD controller.

NOTE

The reset value of this register depends on the reset type:

- POR — 0x0000_0000

Address: 4005_3000h base + 18h offset + (4d × i), where i=0d to 1d



LCD_BPEN_n field descriptions

Field	Description
31–0 BPEN	<p>Back Plane Enable</p> <p>The BPEN[63:0] bits configure the LCD_P[63:0] pins to operate as an LCD back plane or LCD front plane. BPENL contains BPEN[31:0], and BPENH contains BPEN[63:32].</p> <p>If LCDEN = 0, these bits have no effect on the state of the I/O pins. It is recommended to set BPEN[63:0] bits before LCDEN is set.</p> <p>0 Front plane operation enabled on LCD_Pn. 1 Back plane operation enabled on LCD_Pn.</p>

42.3.7 LCD Waveform register (LCD_WF3TO0)

Each of the WFyTO_x registers contains four waveform control (WF_n) fields, where x is the n index value of the WF_n field in the least significant byte (bits 7-0) and y is the n index value of the WF_n field in the most significant byte (bits 31-24). The bits in each WF_n field control the front plane segments or back plane phases connected to the LCD_P_n signal.

In an LCD controller, each element consists of a front plane segment and a back plane phase. These segments and phases are labeled A through H (x8 multiplexing, 1/8 duty cycle). Each LCD_P_n signal can be connected to one or more segments (in front plane operation) or one or more phases (in back plane operation). An LCD element is turned on when the associated back plane phase is activated and the front plane segment is on.

Memory map and register definition

If LCD_Pn is configured for front plane operation, the bits in WF_n turn on or off each of the front plane segments connected to LCD_Pn: bit 0 controls segment A, bit 1 controls segment B, and so on.

If LCD_Pn is configured for back plane operation, the bits in WF_n activate or deactivate each of the back plane phases connected to LCD_Pn: bit 0 controls phase A, bit 1 controls phase B, and so on.

Software can write to this register with 8-bit, 16-bit, or 32-bit writes. After reset, the W_{Fy}TO_x register is cleared to 0.

NOTE

The reset value of this register depends on the reset type:

- POR — 0x0000_0000

Address: 4005_3000h base + 20h offset = 4005_3020h

Bit	31	30	29	28	27	26	25	24	23	22	21	20	19	18	17	16	15	14	13	12	11	10	9	8	7	6	5	4	3	2	1	0																																
R																																																																
W	WF3																WF2																WF1																WF0															
Reset	0	0	0	0	0	0	0	0	0	0	0	0	0	0	0	0	0	0	0	0	0	0	0	0	0	0	0	0	0	0	0	0	0	0	0	0	0	0	0	0	0	0	0	0	0	0	0	0																

LCD_WF3TO0 field descriptions

Field	Description
31–24 WF3	<p>Segment-on front plane operation — Each bit turns on or off the segments associated with LCD_P3 in the following pattern: HGFEDCBA (most significant bit controls segment H and least significant bit controls segment A).</p> <p>Segment-on back plane operation — Each bit activates or deactivates the phases associated with LCD_P3 in the following pattern: HGFEDCBA (most significant bit controls phase H and least significant bit controls phase A).</p> <p>For each bit:</p> <p>0 Segment off or phase deactivated</p> <p>1 Segment on or phase activated</p>
23–16 WF2	Controls segments or phases connected to LCD_P2 as described above for WF3.
15–8 WF1	Controls segments or phases connected to LCD_P1 as described above for WF3.
7–0 WF0	Controls segments or phases connected to LCD_P0 as described above for WF3.

42.3.8 LCD Waveform register (LCD_WF7TO4)

See the LCD Waveform register (WFC3TO0) for register and field descriptions.

NOTE

The reset value of this register depends on the reset type:

- POR — 0x0000_0000

Address: 4005_3000h base + 24h offset = 4005_3024h

Bit	31	30	29	28	27	26	25	24	23	22	21	20	19	18	17	16	15	14	13	12	11	10	9	8	7	6	5	4	3	2	1	0
R																																
W	WF7								WF6								WF5								WF4							
Reset	0	0	0	0	0	0	0	0	0	0	0	0	0	0	0	0	0	0	0	0	0	0	0	0	0	0	0	0	0	0	0	0

LCD_WF7TO4 field descriptions

Field	Description
31–24 WF7	Controls segments or phases connected to LCD_P7 as described above for WF3TO0[WF3].
23–16 WF6	Controls segments or phases connected to LCD_P6 as described above for WF3TO0[WF3].
15–8 WF5	Controls segments or phases connected to LCD_P5 as described above for WF3TO0[WF3].
7–0 WF4	Controls segments or phases connected to LCD_P4 as described above for WF3TO0[WF3].

42.3.9 LCD Waveform register (LCD_WF11TO8)

See the LCD Waveform register (WFC3TO0) for register and field descriptions.

NOTE

The reset value of this register depends on the reset type:

- POR — 0x0000_0000

Address: 4005_3000h base + 28h offset = 4005_3028h

Bit	31	30	29	28	27	26	25	24	23	22	21	20	19	18	17	16	15	14	13	12	11	10	9	8	7	6	5	4	3	2	1	0
R																																
W	WF11								WF10								WF9								WF8							
Reset	0	0	0	0	0	0	0	0	0	0	0	0	0	0	0	0	0	0	0	0	0	0	0	0	0	0	0	0	0	0	0	0

LCD_WF11TO8 field descriptions

Field	Description
31–24 WF11	Controls segments or phases connected to LCD_P11 as described above for WF3TO0[WF3].
23–16 WF10	Controls segments or phases connected to LCD_P10 as described above for WF3TO0[WF3].
15–8 WF9	Controls segments or phases connected to LCD_P9 as described above for WF3TO0[WF3].

Table continues on the next page...

LCD_WF11TO8 field descriptions (continued)

Field	Description
7-0 WF8	Controls segments or phases connected to LCD_P8 as described above for WF3TO0[WF3].

42.3.10 LCD Waveform register (LCD_WF15TO12)

See the LCD Waveform register (WFC3TO0) for register and field descriptions.

NOTE

The reset value of this register depends on the reset type:

- POR — 0x0000_0000

Address: 4005_3000h base + 2Ch offset = 4005_302Ch

Bit	31	30	29	28	27	26	25	24	23	22	21	20	19	18	17	16	15	14	13	12	11	10	9	8	7	6	5	4	3	2	1	0
R																																
W																																
Reset	0	0	0	0	0	0	0	0	0	0	0	0	0	0	0	0	0	0	0	0	0	0	0	0	0	0	0	0	0	0	0	0

LCD_WF15TO12 field descriptions

Field	Description
31-24 WF15	Controls segments or phases connected to LCD_P15 as described above for WF3TO0[WF3].
23-16 WF14	Controls segments or phases connected to LCD_P14 as described above for WF3TO0[WF3].
15-8 WF13	Controls segments or phases connected to LCD_P13 as described above for WF3TO0[WF3].
7-0 WF12	Controls segments or phases connected to LCD_P12 as described above for WF3TO0[WF3].

42.3.11 LCD Waveform register (LCD_WF19TO16)

See the LCD Waveform register (WFC3TO0) for register and field descriptions.

NOTE

The reset value of this register depends on the reset type:

- POR — 0x0000_0000

Address: 4005_3000h base + 30h offset = 4005_3030h

Bit	31	30	29	28	27	26	25	24	23	22	21	20	19	18	17	16	15	14	13	12	11	10	9	8	7	6	5	4	3	2	1	0
R																																
W																																
Reset	0	0	0	0	0	0	0	0	0	0	0	0	0	0	0	0	0	0	0	0	0	0	0	0	0	0	0	0	0	0	0	0

LCD_WF19TO16 field descriptions

Field	Description
31–24 WF19	Controls segments or phases connected to LCD_P19 as described above for WF3TO0[WF3].
23–16 WF18	Controls segments or phases connected to LCD_P18 as described above for WF3TO0[WF3].
15–8 WF17	Controls segments or phases connected to LCD_P17 as described above for WF3TO0[WF3].
7–0 WF16	Controls segments or phases connected to LCD_P16 as described above for WF3TO0[WF3].

42.3.12 LCD Waveform register (LCD_WF23TO20)

See the LCD Waveform register (WFC3TO0) for register and field descriptions.

NOTE

The reset value of this register depends on the reset type:

- POR — 0x0000_0000

Address: 4005_3000h base + 34h offset = 4005_3034h

Bit	31	30	29	28	27	26	25	24	23	22	21	20	19	18	17	16	15	14	13	12	11	10	9	8	7	6	5	4	3	2	1	0
R																																
W																																
Reset	0	0	0	0	0	0	0	0	0	0	0	0	0	0	0	0	0	0	0	0	0	0	0	0	0	0	0	0	0	0		

LCD_WF23TO20 field descriptions

Field	Description
31–24 WF23	Controls segments or phases connected to LCD_P23 as described above for WF3TO0[WF3].
23–16 WF22	Controls segments or phases connected to LCD_P22 as described above for WF3TO0[WF3].
15–8 WF21	Controls segments or phases connected to LCD_P21 as described above for WF3TO0[WF3].
7–0 WF20	Controls segments or phases connected to LCD_P20 as described above for WF3TO0[WF3].

42.3.13 LCD Waveform register (LCD_WF27TO24)

See the LCD Waveform register (WFC3TO0) for register and field descriptions.

NOTE

The reset value of this register depends on the reset type:

Memory map and register definition

- POR — 0x0000_0000

Address: 4005_3000h base + 38h offset = 4005_3038h

Bit	31	30	29	28	27	26	25	24	23	22	21	20	19	18	17	16	15	14	13	12	11	10	9	8	7	6	5	4	3	2	1	0
R	WF27								WF26								WF25								WF24							
W																																
Reset	0	0	0	0	0	0	0	0	0	0	0	0	0	0	0	0	0	0	0	0	0	0	0	0	0	0	0	0	0	0	0	0

LCD_WF27TO24 field descriptions

Field	Description
31–24 WF27	Controls segments or phases connected to LCD_P27 as described above for WF3TO0[WF3].
23–16 WF26	Controls segments or phases connected to LCD_P26 as described above for WF3TO0[WF3].
15–8 WF25	Controls segments or phases connected to LCD_P25 as described above for WF3TO0[WF3].
7–0 WF24	Controls segments or phases connected to LCD_P24 as described above for WF3TO0[WF3].

42.3.14 LCD Waveform register (LCD_WF31TO28)

See the LCD Waveform register (WFC3TO0) for register and field descriptions.

NOTE

The reset value of this register depends on the reset type:

- POR — 0x0000_0000

Address: 4005_3000h base + 3Ch offset = 4005_303Ch

Bit	31	30	29	28	27	26	25	24	23	22	21	20	19	18	17	16	15	14	13	12	11	10	9	8	7	6	5	4	3	2	1	0
R	WF31								WF30								WF29								WF28							
W																																
Reset	0	0	0	0	0	0	0	0	0	0	0	0	0	0	0	0	0	0	0	0	0	0	0	0	0	0	0	0	0	0	0	0

LCD_WF31TO28 field descriptions

Field	Description
31–24 WF31	Controls segments or phases connected to LCD_P31 as described above for WF3TO0[WF3].
23–16 WF30	Controls segments or phases connected to LCD_P30 as described above for WF3TO0[WF3].
15–8 WF29	Controls segments or phases connected to LCD_P29 as described above for WF3TO0[WF3].
7–0 WF28	Controls segments or phases connected to LCD_P28 as described above for WF3TO0[WF3].

42.3.15 LCD Waveform register (LCD_WF35TO32)

See the LCD Waveform register (WFC3TO0) for register and field descriptions.

NOTE

The reset value of this register depends on the reset type:

- POR — 0x0000_0000

Address: 4005_3000h base + 40h offset = 4005_3040h

Bit	31	30	29	28	27	26	25	24	23	22	21	20	19	18	17	16	15	14	13	12	11	10	9	8	7	6	5	4	3	2	1	0
R	WF35								WF34								WF33								WF32							
W																																
Reset	0	0	0	0	0	0	0	0	0	0	0	0	0	0	0	0	0	0	0	0	0	0	0	0	0	0	0	0	0	0	0	0

LCD_WF35TO32 field descriptions

Field	Description
31–24 WF35	Controls segments or phases connected to LCD_P35 as described above for WF3TO0[WF3].
23–16 WF34	Controls segments or phases connected to LCD_P34 as described above for WF3TO0[WF3].
15–8 WF33	Controls segments or phases connected to LCD_P33 as described above for WF3TO0[WF3].
7–0 WF32	Controls segments or phases connected to LCD_P32 as described above for WF3TO0[WF3].

42.3.16 LCD Waveform register (LCD_WF39TO36)

See the LCD Waveform register (WFC3TO0) for register and field descriptions.

NOTE

The reset value of this register depends on the reset type:

- POR — 0x0000_0000

Address: 4005_3000h base + 44h offset = 4005_3044h

Bit	31	30	29	28	27	26	25	24	23	22	21	20	19	18	17	16	15	14	13	12	11	10	9	8	7	6	5	4	3	2	1	0
R	WF39								WF38								WF37								WF36							
W																																
Reset	0	0	0	0	0	0	0	0	0	0	0	0	0	0	0	0	0	0	0	0	0	0	0	0	0	0	0	0	0	0	0	0

LCD_WF39TO36 field descriptions

Field	Description
31–24 WF39	Controls segments or phases connected to LCD_P39 as described above for WF3TO0[WF3].
23–16 WF38	Controls segments or phases connected to LCD_P38 as described above for WF3TO0[WF3].
15–8 WF37	Controls segments or phases connected to LCD_P37 as described above for WF3TO0[WF3].
7–0 WF36	Controls segments or phases connected to LCD_P36 as described above for WF3TO0[WF3].

42.3.17 LCD Waveform register (LCD_WF43TO40)

See the LCD Waveform register (WFC3TO0) for register and field descriptions.

NOTE

The reset value of this register depends on the reset type:

- POR — 0x0000_0000

Address: 4005_3000h base + 48h offset = 4005_3048h

Bit	31	30	29	28	27	26	25	24	23	22	21	20	19	18	17	16	15	14	13	12	11	10	9	8	7	6	5	4	3	2	1	0
R																																
W																																
Reset	0	0	0	0	0	0	0	0	0	0	0	0	0	0	0	0	0	0	0	0	0	0	0	0	0	0	0	0	0	0	0	0

LCD_WF43TO40 field descriptions

Field	Description
31–24 WF43	Controls segments or phases connected to LCD_P43 as described above for WF3TO0[WF3].
23–16 WF42	Controls segments or phases connected to LCD_P42 as described above for WF3TO0[WF3].
15–8 WF41	Controls segments or phases connected to LCD_P41 as described above for WF3TO0[WF3].
7–0 WF40	Controls segments or phases connected to LCD_P40 as described above for WF3TO0[WF3].

42.3.18 LCD Waveform register (LCD_WF47TO44)

See the LCD Waveform register (WFC3TO0) for register and field descriptions.

NOTE

The reset value of this register depends on the reset type:

- POR — 0x0000_0000

Address: 4005_3000h base + 4Ch offset = 4005_304Ch

Bit	31	30	29	28	27	26	25	24	23	22	21	20	19	18	17	16	15	14	13	12	11	10	9	8	7	6	5	4	3	2	1	0
R	WF47								WF46								WF45								WF44							
W																																
Reset	0	0	0	0	0	0	0	0	0	0	0	0	0	0	0	0	0	0	0	0	0	0	0	0	0	0	0	0	0	0	0	0

LCD_WF47TO44 field descriptions

Field	Description
31–24 WF47	Controls segments or phases connected to LCD_P47 as described above for WF3TO0[WF3].
23–16 WF46	Controls segments or phases connected to LCD_P46 as described above for WF3TO0[WF3].
15–8 WF45	Controls segments or phases connected to LCD_P45 as described above for WF3TO0[WF3].
7–0 WF44	Controls segments or phases connected to LCD_P44 as described above for WF3TO0[WF3].

42.3.19 LCD Waveform register (LCD_WF51TO48)

See the LCD Waveform register (WFC3TO0) for register and field descriptions.

NOTE

The reset value of this register depends on the reset type:

- POR — 0x0000_0000

Address: 4005_3000h base + 50h offset = 4005_3050h

Bit	31	30	29	28	27	26	25	24	23	22	21	20	19	18	17	16	15	14	13	12	11	10	9	8	7	6	5	4	3	2	1	0
R	WF51								WF50								WF49								WF48							
W																																
Reset	0	0	0	0	0	0	0	0	0	0	0	0	0	0	0	0	0	0	0	0	0	0	0	0	0	0	0	0	0	0	0	0

LCD_WF51TO48 field descriptions

Field	Description
31–24 WF51	Controls segments or phases connected to LCD_P51 as described above for WF3TO0[WF3].
23–16 WF50	Controls segments or phases connected to LCD_P50 as described above for WF3TO0[WF3].
15–8 WF49	Controls segments or phases connected to LCD_P49 as described above for WF3TO0[WF3].
7–0 WF48	Controls segments or phases connected to LCD_P48 as described above for WF3TO0[WF3].

42.3.20 LCD Waveform register (LCD_WF55TO52)

See the LCD Waveform register (WFC3TO0) for register and field descriptions.

NOTE

The reset value of this register depends on the reset type:

- POR — 0x0000_0000

Address: 4005_3000h base + 54h offset = 4005_3054h

Bit	31	30	29	28	27	26	25	24	23	22	21	20	19	18	17	16	15	14	13	12	11	10	9	8	7	6	5	4	3	2	1	0
R	WF55								WF54								WF53								WF52							
W																																
Reset	0	0	0	0	0	0	0	0	0	0	0	0	0	0	0	0	0	0	0	0	0	0	0	0	0	0	0	0	0	0	0	0

LCD_WF55TO52 field descriptions

Field	Description
31–24 WF55	Controls segments or phases connected to LCD_P55 as described above for WF3TO0[WF3].
23–16 WF54	Controls segments or phases connected to LCD_P54 as described above for WF3TO0[WF3].
15–8 WF53	Controls segments or phases connected to LCD_P53 as described above for WF3TO0[WF3].
7–0 WF52	Controls segments or phases connected to LCD_P52 as described above for WF3TO0[WF3].

42.3.21 LCD Waveform register (LCD_WF59TO56)

See the LCD Waveform register (WFC3TO0) for register and field descriptions.

NOTE

The reset value of this register depends on the reset type:

- POR — 0x0000_0000

Address: 4005_3000h base + 58h offset = 4005_3058h

Bit	31	30	29	28	27	26	25	24	23	22	21	20	19	18	17	16	15	14	13	12	11	10	9	8	7	6	5	4	3	2	1	0
R	WF59								WF58								WF57								WF56							
W																																
Reset	0	0	0	0	0	0	0	0	0	0	0	0	0	0	0	0	0	0	0	0	0	0	0	0	0	0	0	0	0	0	0	0

LCD_WF59TO56 field descriptions

Field	Description
31–24 WF59	Controls segments or phases connected to LCD_P59 as described above for WF3TO0[WF3].
23–16 WF58	Controls segments or phases connected to LCD_P58 as described above for WF3TO0[WF3].
15–8 WF57	Controls segments or phases connected to LCD_P57 as described above for WF3TO0[WF3].
7–0 WF56	Controls segments or phases connected to LCD_P56 as described above for WF3TO0[WF3].

42.3.22 LCD Waveform register (LCD_WF63TO60)

See the LCD Waveform register (WFC3TO0) for register and field descriptions.

NOTE

The reset value of this register depends on the reset type:

- POR — 0x0000_0000

Address: 4005_3000h base + 5Ch offset = 4005_305Ch

Bit	31	30	29	28	27	26	25	24	23	22	21	20	19	18	17	16	15	14	13	12	11	10	9	8	7	6	5	4	3	2	1	0
R																																
W																																
Reset	0	0	0	0	0	0	0	0	0	0	0	0	0	0	0	0	0	0	0	0	0	0	0	0	0	0	0	0	0	0		

LCD_WF63TO60 field descriptions

Field	Description
31–24 WF63	Controls segments or phases connected to LCD_P63 as described above for WF3TO0[WF3].
23–16 WF62	Controls segments or phases connected to LCD_P62 as described above for WF3TO0[WF3].
15–8 WF61	Controls segments or phases connected to LCD_P61 as described above for WF3TO0[WF3].
7–0 WF60	Controls segments or phases connected to LCD_P60 as described above for WF3TO0[WF3].

42.4 Functional description

This section provides a complete functional description of SLCD.

Before enabling SLCD by asserting [GCR]LCDEN, configure SLCD based on the end application requirements. Out of reset, SLCD is configured with default settings, but these settings are not optimal for every application. SLCD provides several versatile configuration settings and options to support varied implementation requirements, including:

- Duty cycle (number of back planes)
- Back plane assignment (which LCD_P[63:0] pins operate as back planes)
- Frame frequency interrupt enable
- Blinking frequency and options
- Power-supply configurations
- Fault detection configuration

SLCD also provides an LCD pin enable control. Setting the LCD pin enable bit in the PENn register for a particular LCD_Pn pin enables SLCD front plane or back plane waveform functionality of that pin after GCR[LCDEN] is set. When GCR[LCDEN] is clear and the LCD pin enable bit is set, the LCD_Pn pin will be driven low. When the back plane enable bit in the BPENn is set, the associated pin operates as a back plane. The WFyTOx registers can then activate (display) the corresponding LCD segments on an LCD panel.

The WFyTOx registers control the on/off state for the segments controlled by the LCD pins defined as front planes and the active phase for the back planes. Blank display modes do not use the data from the WFyTOx registers. When using the WFyTOx register for front plane operation, writing a 0 turns the segment off.

For pins enabled as back plane, the bits in WFn fields assign the phases of the back plane (A-H) for the corresponding back plane pin. For a detailed description of SLCD operation for a basic seven-segment LCD display, see [LCD seven segment example description](#).

42.4.1 LCD controller driver description

The LCD controller driver has eight modes of operation:

- 1/1 duty (one back plane) (Phase A), static mode
- 1/2 duty (two back planes) (Phase A, B), 1/3 bias (four voltage levels)
- 1/3 duty (three back planes) (Phase A, B, C), 1/3 bias (four voltage levels)

- 1/4 duty (four back planes) (Phase A, B, C, D), 1/3 bias (four voltage levels)
- 1/8 duty (eight back planes) (Phase A, B, C, D, E, F, G, H), 1/3 bias (four voltage levels)

All modes are 1/3 bias. These modes of operation are described in more detail in the next sections.

42.4.1.1 LCD duty cycle

The denominator of the duty cycle indicates the number of LCD panel segments capable of being driven by each individual front plane output driver. Depending on the duty cycle, the LCD waveform drive can be categorized as static or multiplexed.

In static-driving method, the LCD is driven with two square waveforms. The static-driving method is the most basic method to drive an LCD panel, but because each front plane driver can drive only one LCD segment, static driving limits the LCD segments that can be driven with a given number of front plane pins. In static mode, only one back plane is required.

In multiplexed mode, the LCD waveforms are multi-level and depend on the bias mode. Multiplex mode, depending on the number of back planes, can drive multiple LCD segments with a single front plane driver. This reduces the number of driver circuits and connections to LCD segments. For multiplex mode operation, at least two back plane drivers are needed. The LCD controller is optimized for multiplex mode.

The numerator of the duty cycle indicates the amount of time the LCD panel segment is energized during each LCD controller frame cycle. The denominator of the duty cycle indicates the number of back planes that are being used to drive an LCD panel and the number of phase sequences, 1,2,3,4 or 8 .

The duty cycle is used by the back plane phase generator to set the phase outputs. The phase outputs A-H are driven according to the sequence shown below. The sequence is repeated at the LCD frame frequency. The duty cycle is configured using GCR[DUTY[2:0]], as shown in [Table 42-30](#).

Table 42-30. LCD controller duty cycle modes

Duty	GCR			Number of back planes	Phase sequence
	DUTY2	DUTY1	DUTY0		
1/1	0	0	0	1	A
1/2	0	0	1	2	A B
1/3	0	1	0	3	A B C

Table continues on the next page...

Table 42-30. LCD controller duty cycle modes (continued)

Duty	GCR			Number of back planes	Phase sequence
	DUTY2	DUTY1	DUTY0		
1/4	0	1	1	4	A B C D
1/5	Reserved	Reserved	Reserved		Reserved
1/6	Reserved	Reserved	Reserved	Reserved	Reserved
1/7	Reserved	Reserved	Reserved	Reserved	Reserved
1/8	1	1	1	8	A B C D E F G H

42.4.1.2 LCD bias

Because a single front plane driver is configured to drive more and more individual LCD segments, three voltage levels are required to generate the appropriate waveforms to drive the segment. SLCD is designed to operate using the 1/3 bias mode.

42.4.1.3 SLCD base clock and frame frequency

SLCD is optimized to operate using a 32.768 kHz clock input. Two clock sources are available to the SLCD, which are selectable by configuring the GCR[SOURCE]. The clock sources include:

- Default clock (GCR[SOURCE] = 0)
- Alternate clock (GCR[SOURCE] = 1)
 - Alternate Clock 1 (GCR[ALTSOURCE]=0)
 - Alternate Clock 2 (GCR[ALTSOURCE]=1)

NOTE

The clock source is chip-specific. For the clock source assignments, see the chapter that describes how modules are configured.

Figure 42-28 shows the LCD clock tree. The clock tree shows the possible clock sources, and the LCD frame frequency and blink frequency clock source. The LCD blink frequency is discussed in [Blink frequency](#).

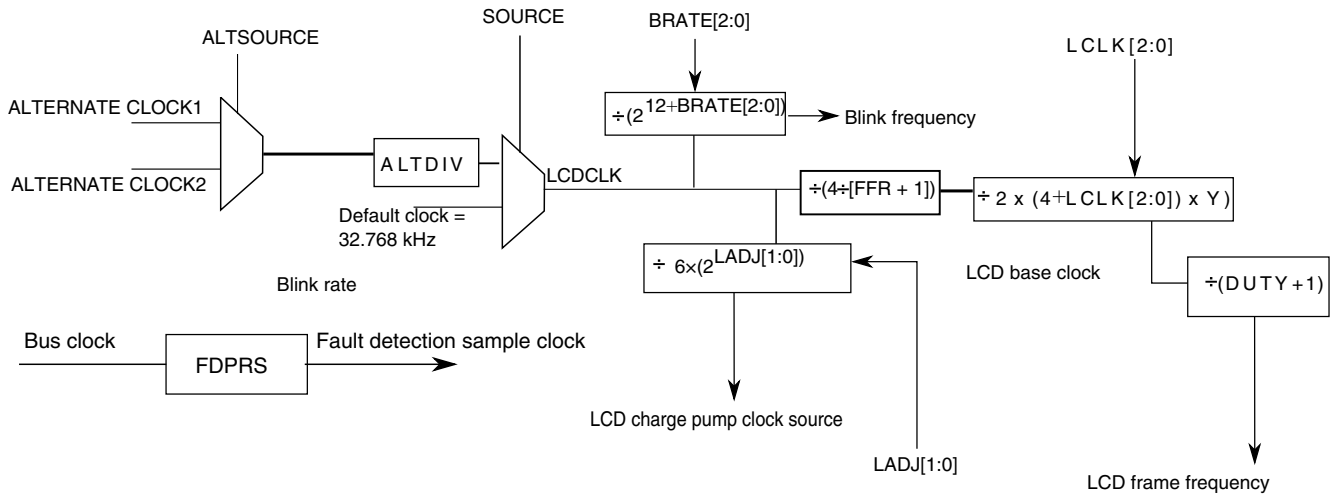


Figure 42-28. LCD clock tree

An external 32.768 kHz clock input is required to achieve lowest power consumption. The value of GCR[LCLK] is important because it is used to generate the SLCD frame frequency.

The following four tables show SLCD frame frequency calculations that consider several possible SLCD configurations of GCR[LCLK[2:0]], GCR[FFR] and GCR[DUTY[2:0]].

SLCD frame frequency is defined as the number of times the LCD segments are energized per second. The SLCD frame frequency must be selected to achieve the right balance between flickering (SLCD frame frequency too close to the frequency of an interfering light source or too low), contrast (SLCD frame frequency too low for the display chosen), and power (SLCD frame frequency too high).. Selecting lower values for the LCD base and frame frequency results in lower current consumption for the SLCD.

The SLCD base clock frequency is the SLCD frame frequency multiplied by the number of back plane phases that are being generated. The number of back plane phases is selected using the GCR[DUTY[2:0]] bits. The SLCD base clock is used by the back plane sequencer to generate the LCD waveform data for the enabled phases (A-H).

Table 42-31. SLCD frame frequency calculations for clock input ~ 32.768 kHz and GCR[FFR]=0

Duty cycle	1/1	1/2	1/3	1/4				1/8
Y	16	8	5	4				2
GCR[LCLK[2:0]]								
0	64	64	68.3	64				64
1	51.2	51.2	54.6	51.2				51.2
2	42.7	42.7	45.5	42.7				42.7

Table continues on the next page...

Table 42-31. SLCD frame frequency calculations for clock input ~ 32.768 kHz and GCR[FFR]=0 (continued)

Duty cycle	1/1	1/2	1/3	1/4				1/8
Y	16	8	5	4				2
GCR[LCLK[2:0]]								
3	36.6	36.6	39	36.6				36.6
4	32	32	34.1	32				32
5	28.4	28.4	30.3	28.4				28.4
6	25.6	25.6	27.3	25.6				25.6
7	23.3	23.3	24.8	23.3				23.3

Table 42-32. SLCD frame frequency calculations for clock input ~ 39.063 kHz and GCR[FFR]=0

Duty cycle	1/1	1/2	1/3	1/4				1/8
Y	16	8	5	4				2
GCR[LCLK[2:0]]								
0	76.3	76.3	81.4	76.3				76.3
1	61	61	65.1	61				61
2	50.9	50.9	54.3	50.9				50.9
3	43.6	43.6	46.5	43.6				43.6
4	38.1	38.1	40.7	38.1				38.1
5	33.9	33.9	36.2	33.9				33.9
6	30.5	30.5	32.6	30.5				30.5
7	27.7	27.7	29.6	27.7				27.7

Table 42-33. SLCD frame frequency calculations for clock input ~ 32.768 kHz and GCR[FFR]=1

Duty cycle	1/1	1/2	1/3	1/4				1/8
Y	16	8	5	4				2
GCR[LCLK[2:0]]								
0	64	64	68.3	64				64
1	51.2	51.2	54.6	51.2				51.2
2	42.7	42.7	45.5	42.7				42.7
3	36.6	36.6	39	36.6				36.6
4	32	32	34.1	32				32
5	28.4	28.4	30.3	28.4				28.4
6	25.6	25.6	27.3	25.6				25.6
7	23.3	23.3	24.8	23.3				23.3

Table 42-34. SLCD frame frequency calculations for clock input ~ 39.063 kHz and GCR[FFR]=1

Duty cycle	1/1	1/2	1/3	1/4				1/8
Y	16	8	5	4				2
GCR[LCLK[2:0]]								
0	76.3	76.3	81.4	76.3				76.3
1	61	61	65.1	61				61
2	50.9	50.9	54.3	50.9				50.9
3	43.6	43.6	46.5	43.6				43.6
4	38.1	38.1	40.7	38.1				38.1
5	33.9	33.9	36.2	33.9				33.9
6	30.5	30.5	32.6	30.5				30.5
7	27.7	27.7	29.6	27.7				27.7

42.4.1.4 LCD waveform examples

This section shows the timing examples of the LCD output waveforms for the several modes of operation. As shown in [Table 42-35](#), all examples use 1/3 bias mode.

Table 42-35. Configurations for example LCD waveforms

Examples	Bias mode	GCR[DUTY[2:0]]	Duty cycle
Example 1	1/3	001	1/2
Example 2		011	1/4
Example 3		111	1/8

42.4.1.4.1 1/2 duty multiplexed with 1/3 bias mode (low-power waveform)

Duty=1/2: DUTY[2:0] = 001

LCD_P[1:0] enabled as back planes:

BPEN0 =1 and BPEN1 =1 in the BPEN0

LCD_P0 assigned to Phase A: WF0 = 0x01

LCD_P1 assigned to Phase B: WF1 = 0x02, WF1TO0 = 0x00000201

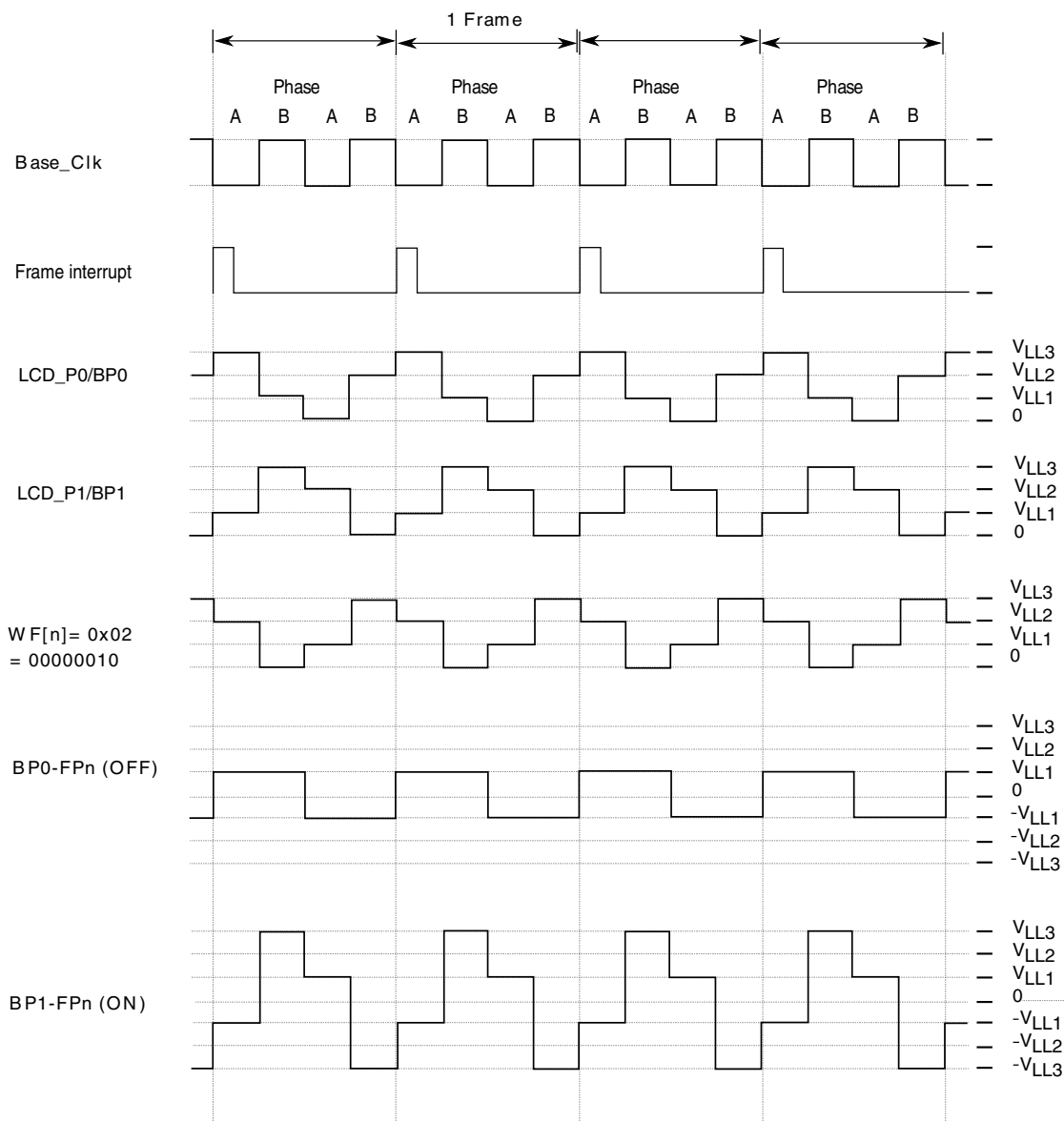


Figure 42-29. 1/2 duty and 1/3 bias (low-power waveform)

42.4.1.4.2 1/4 duty multiplexed with 1/3 bias mode (low-power waveform)

Duty = 1/4: DUTY[2:0] = 011

LCD_P[3:0] enabled as back planes: BPEN0 = 0x0F

LCD_P0 assigned to Phase A: WF0 = 0x01

LCD_P1 assigned to Phase B: WF1 = 0x02

LCD_P2 assigned to Phase C: WF2 = 0x04

LCD_P3 assigned to Phase D: WF3 = 0x08, , WF3TO0 = 0x08040201

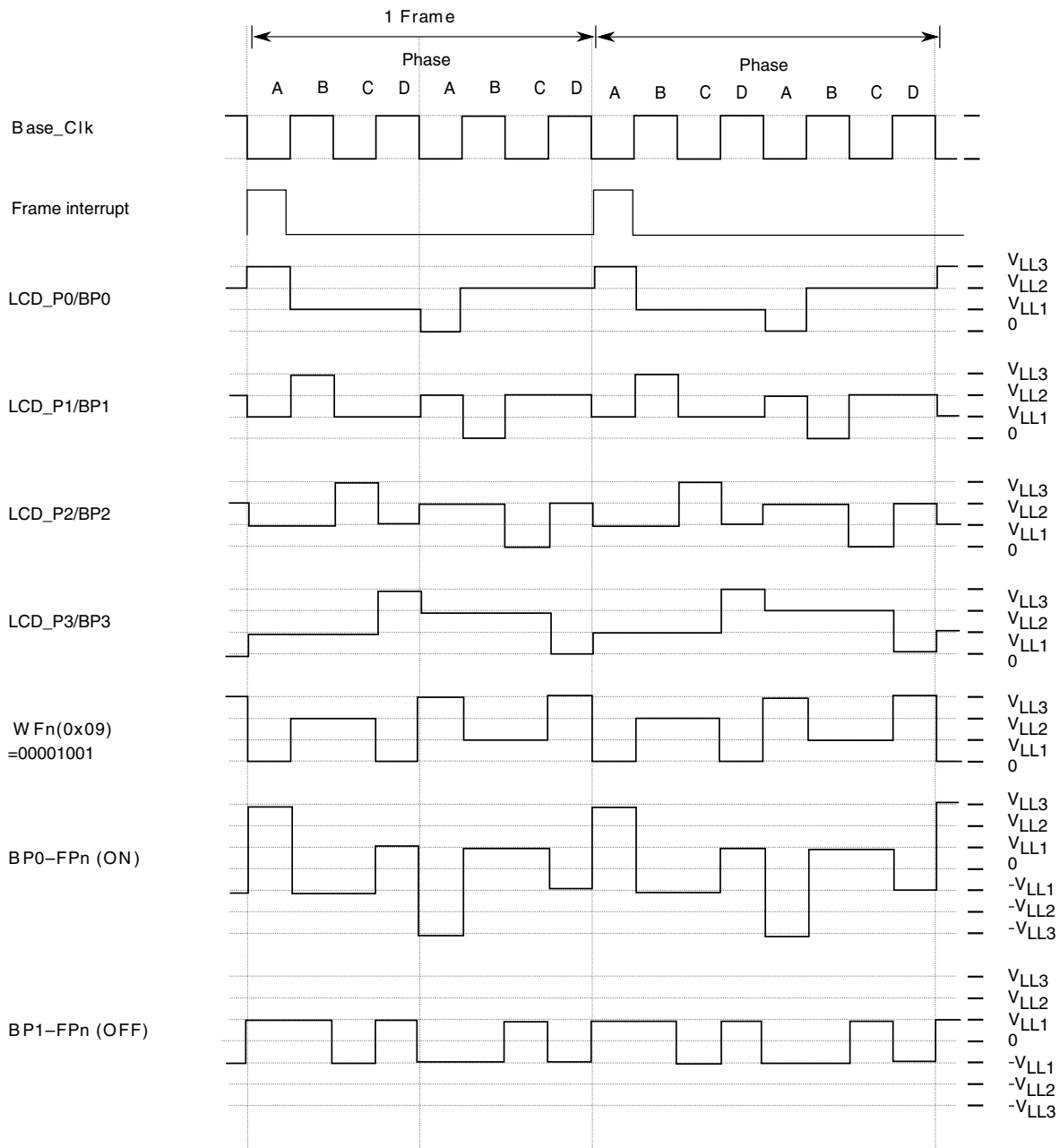


Figure 42-30. 1/4 duty and 1/3 bias (low-power waveform)

42.4.1.4.3 1/8 Duty multiplexed with 1/3 bias mode (low-power waveform)

Duty = 1/8:DUTY[2:0] = 111

LCD_P[7:0] enabled as backplanes: BPEN0 = 0xFF

LCD_P0 assigned to Phase A: WF0 = 0x01

LCD_P1 assigned to Phase B: WF1 = 0x02

LCD_P2 assigned to Phase C: WF2 = 0x04

Functional description

LCD_P3 assigned to Phase D: WF3 = 0x08

LCD_P4 assigned to Phase E: WF4 = 0x10

LCD_P5 assigned to Phase F: WF5 = 0x20

LCD_P6 assigned to Phase G: WF6 = 0x40

LCD_P7 assigned to Phase H: WF7 = 0x80, WF7TO4 = 0x80402010, WF3TO0 = 0x08040201

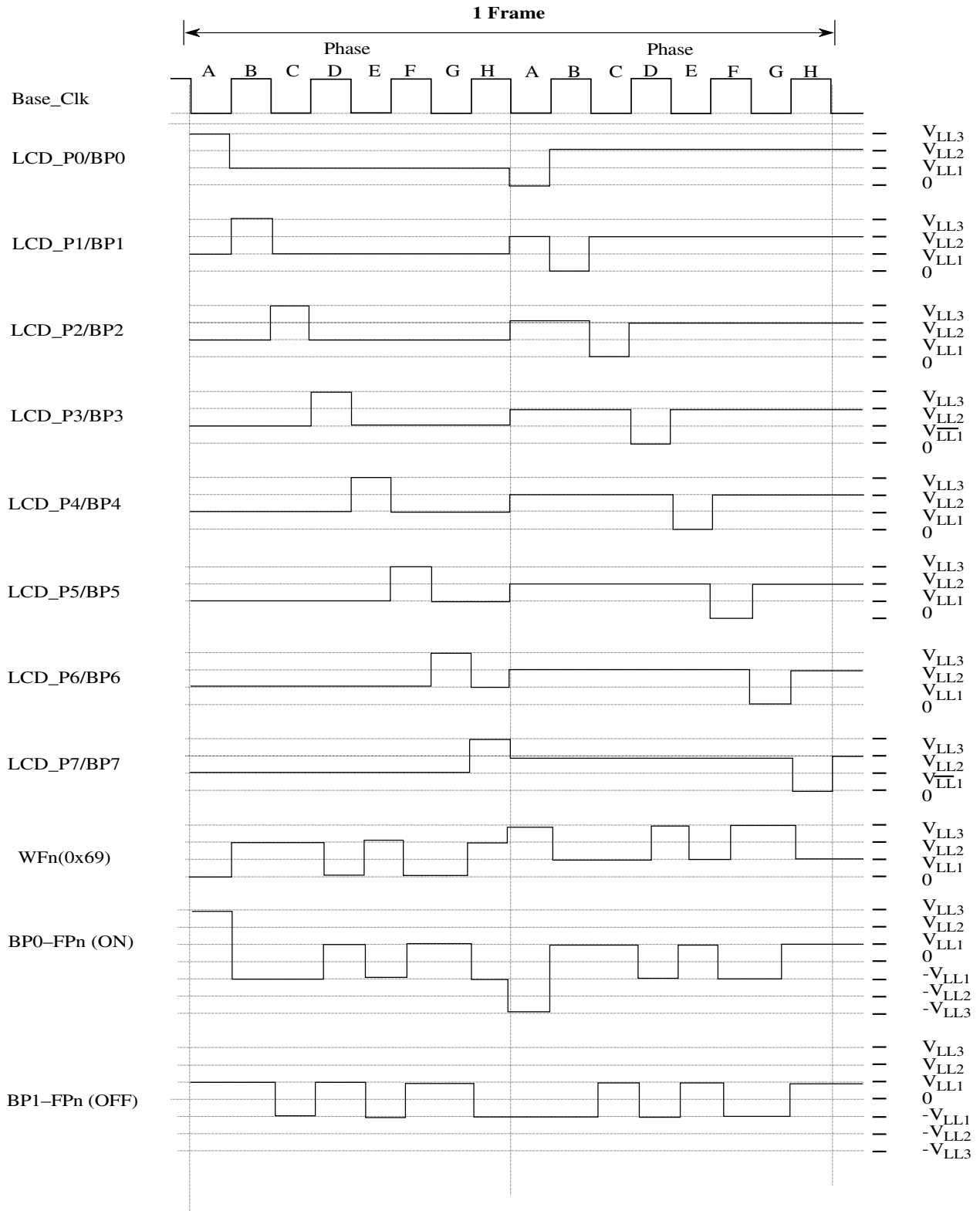


Figure 42-31. 1/8 Duty and 1/3 bias (low-power waveform)

42.4.2 WfYTOx registers

For a segment on the LCD panel to be displayed, data must be written to the WfYTOx registers. For LCD pins enabled as front planes, each bit in the WfYTOx registers corresponds to a segment on an LCD panel. The different phases (A-H) represent the different back planes of the LCD panel. The selected LCD duty cycle controls the number of implemented phases. Refer to [Table 42-30](#) for normal LCD operation the phases follow the sequence shown.

For LCD pins enabled as a back plane, the WfYTOx register assigns the phase in which the back plane pin is active. This is how back plane assignment is done.

An example of normal operation follows.

To enable LCD_P0 to operate as back plane 0:

1. Enable the LCD_P0 by setting PEN0 bit in the PENL register, PENL = 0x00000001.
2. Configure LCD_P0 as a back plane pin by setting the BPEN0 bit in the BPEN0 register.
3. The WF0 bit in the WF3TO0 register is set to associate LCD_P0 with back plane phase A, WF3tO0 =0x00000001.

This configures LCD_P0 to operate as a back plane that is active in phase A.

For LCD pins enabled as a front plane:

- Writing 1 to a given WF location results in the corresponding display segment being driven with the differential root mean square (RMS) voltage necessary to turn the segment on during the phase selected.
- Writing 0 to a given location results in the corresponding display segment being driven with the differential RMS voltage necessary to turn the segment off during the phase selected.

42.4.3 LCD display modes

SLCD can be configured to implement several different display modes. In the LCD auxiliary register (AR), the bits ALT and BLANK configure the different display modes:

Normal display mode (default)

The LCD segments are controlled by the data placed in the WfYTOx registers, as described in [WfYTOx registers](#).

Blank display mode

The WF data is bypassed and the front plane and back plane pins are configured to clear all segments.

Alternate display mode

The backplane sequence is modified for duty cycles of 1/4, 1/3, 1/2, and 1/1.

For four back planes or less, the back plane sequence is modified as shown below. The altered sequence allows two complete displays to be placed in the WFyTOx registers. The first display is placed in phases A-D and the second in phases E-H in the case of four back planes. If the LCD duty cycle is eight back planes, the ALT bit is ignored and creates a blank display. Refer to [Table 42-37](#) for additional information.

NOTE

For alternate display modes, both the segment data and the back plane configuration must be configured for both the upper and lower nibble. For example, if LCD_P0 is configured as back plane 0 (phase A) then for proper operation in Alternate Display mode, the WF3TO0 must be set to 0x00000011 to set both BPEWF0 and BPAWF0.

Using the alternate display function, an inverse display can be accomplished for x4 mode and less by placing inverse data in the alternate phases of the WFyTOx registers.

Table 42-36. Alternate display back plane sequence

Duty	Back plane sequence	Alternate back plane sequence
1/1	A	E
1/2	A B	E F
1/3	A B C	E F G
1/4	A B C D	E F G H

42.4.3.1 LCD blink modes

Blink mode is used as a means of alternating among different LCD display modes at a defined frequency. The LCD controller can be configured to implement two blink modes. The AR[BMODE] bit in the LCD auxiliary register configures the different blink modes. Blink modes are activated by setting AR[BLINK]. If AR[BLINK] = 0, SLCD operates normally as described in [LCD display modes](#). If AR[BLINK] = 1, AR[BMODE] configures the blinking operation. During a blink, the display data driven by SLCD changes to the mode selected by AR[BMODE]. The AR[BMODE] bit selects two different blink modes, blank and alternate modes. They operate in the same way, as defined in [LCD display modes](#). [Table 42-37](#) shows the interaction between display modes and blink modes. If the LCD duty cycle is five back planes or greater, AR[BMODE] = 1 is ignored and reverts to create a blank display during the blink period.

Table 42-37. Display mode interaction

BLANK	ALT	BMODE	LCD duty cycle	BLINK = 1	
				Normal period	Blink period
0	0	0	1-4	Normal display	Blank display
0	0	1	1-4	Normal display	Alternate display ¹
0	1	0	1-4	Alternate display ¹	Blank display
0	1	1	1-4	Alternate display ¹	Alternate display ¹
1	x	0	1-4	Blank display	Blank display
1	x	1	1-4	Blank display	Alternate display ¹
0	x	x	8	Normal display	Blank display
1	x	x	8	Blank display	Blank display

1. For alternate display modes, both the segment data and the back plane configuration must be configured for both the upper and lower nibble. For example, if LCD_P0 is configured as back plane 0 (phase A) then for proper operation in Alternate Display mode, the WF3TO0 should be set to 0x00000011 to set both BPEWF0 and BPAWF0.

42.4.3.2 Blink frequency

The LCD clock is the basis for the calculation of the LCD controller blink frequency. The LCD controller blink frequency is equal to the LCD clock (GCR[LCLK]) divided by the factor selected by the AR[BRATE[2:0]] bits. The following table shows LCD controller blink frequency calculations for all values of AR[BRATE[2:0]] at a few common GCR[LCLK] selections.

Table 42-38. Blink frequency calculations (Blink rate = LCD clock (Hz) ÷ Blink divider)

AR[BRATE[2:0]]	0	1	2	3	4	5	6	7
LCD clock (GCR[LCLK])	Blink frequency (Hz)							
30 kHz	7.32	3.66	1.831	0.916	0.46	0.23	0.11	0.06
32.768 kHz	8	4	2	1	0.5	0.25	0.13	0.06
39.063 kHz	9.54	4.77	2.38	1.19	0.6	0.30	0.15	0.075

42.4.4 LCD charge pump and power supply operation

This section describes the LCD charge pump and LCD power supply configuration options.

The LCD bias voltages (V_{LL1} , V_{LL2} and V_{LL3}) can be generated by the LCD charge pump or a resistor divider network that is connected using the GCR[CPSEL] bit. The input source to the LCD charge pump is controlled by GCR[VSUPPLY].

GCR[VSUPPLY] indicates the state of internal signals used to configure power switches as shown in the table in the following figure. The block diagram in the following figure illustrates several potential operational modes for SLCD including configuration of the SLCD power supply source using V_{DD} , internal regulated voltage V_{IREG} , or an external supply on V_{LL3} . V_{LL3} must never be externally driven to any level other than V_{DD} .

Upon reset GCR[VSUPPLY] is configured to connect V_{LL3} to V_{DD} . This configuration must be changed to match the application requirements before SLCD is enabled.

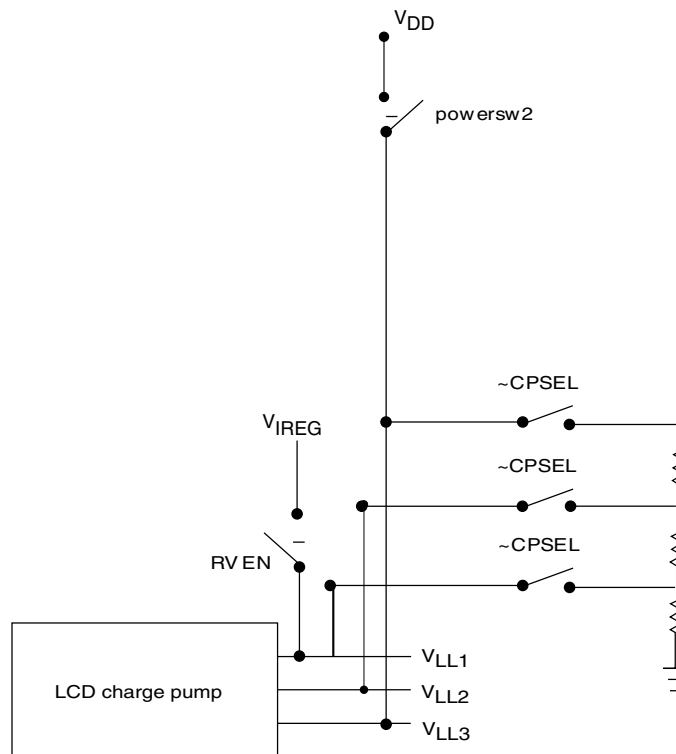


Figure 42-32. LCD charge pump block diagram

Table 42-39. LCD power supply configuration options

GCR[VSUPPLY]	Configuration	powersw1	powersw2
0	Drive V_{LL3} internally from V_{DD}	0	1
1	Drive V_{LL3} externally from V_{DD} or Drive V_{LL1} internally from V_{IREG}	0	0

Note

The charge pump is optimized for 1/3 bias mode operation only.

The charge pump requires external capacitance for its operation. Place 0.1 μF ceramic capacitors across V_{cap1} and V_{cap2} , and from each V_{LLx} pin to ground.

42.4.4.1 LCD power supply configuration

The LCD bias voltages can be internally derived from:

- V_{DD}
- A voltage source connected to V_{LL3} . This voltage source must not be externally driven to any level other than V_{DD} .
- Internally derived from a regulated voltage source that can be configured to supply 1.0 V (V_{IREG})

Table 42-40 provides a more detailed description of the power state of SLCD that depends on the configuration of the GCR[VSUPPLY], GCR[CPSEL] and GCR[RVEN] bits. The table shows all possible configurations of the LCD power supply. All other combinations of the configuration bits above are not permissible LCD power supply modes and must be avoided.

Table 42-40. LCD power supply options

LCD operational state	LCD power supply configuration	VSUPPLY	CPSEL	RVEN
V_{LL3} connected to V_{DD} internally	For 3 V glass operation, V_{DD} must be in valid range for contrast desired for display. Charge pump is used to generate V_{LL1} and V_{LL2} .	0	1	0
V_{LL3} is driven externally	For 3 V glass operation, V_{LL3} must be in valid range for contrast desired on the display. Charge pump is used to generate V_{LL1} and V_{LL2} .	1	1	0
V_{LL3} is driven externally Resistor bias network enabled.	For 3 V glass operation V_{LL3} must be in valid range for contrast desired on the display. Charge pump is disabled. Resistor bias network is used to create V_{LL1} and V_{LL2} .	1	0	0

Table continues on the next page...

Table 42-40. LCD power supply options (continued)

LCD operational state	LCD power supply configuration	VSUPPLY	CPSEL	RVEN
V_{IREG} is connected to V_{LL1}	For 3 V glass operation,, $V_{IREG} = 1$ V. V_{IREG} may be adjusted to achieve desired contrast V_{IREG} is connected to V_{LL1} internally. Charge pump is used to generate V_{LL2} and V_{LL3} .	1	1	1

42.4.4.1.1 LCD external power supply, VSUPPLY = 1

When $VSUPPLY = 1$, $powersw2$ is deasserted. V_{DD} is not available to power SLCD internally, so an alternate (internal RBIAS or external) power source is required for V_{LL1} , V_{LL2} , and V_{LL3} when the charge pump is disabled.

If the charge pump is enabled, external power must be applied to V_{LL3} , V_{LL2} , or V_{LL1} ; or internal power applied to V_{LL1} through the V_{IREG} . If V_{LL3} is applied externally, it MUST be equal to V_{DD} . With this configuration, the charge pump generates the other LCD bias voltages not provided internally or externally.

Internal V_{IREG}

If the charge pump is enabled, the internal regulated voltage, V_{IREG} , can be used as an input to generate the LCD bias voltages. In this state, the external voltage source must not be connected to V_{LL1} , V_{LL2} , or V_{LL3} . V_{IREG} is controlled by the LCD general control register (GCR). [Figure 42-32](#) shows that V_{IREG} is connected to V_{LL1} when the RVEN bit is set.

V_{LL1} is connected to the internal charge pump. Using the charge pump, the value of V_{LL1} is tripled and output as V_{LL3} . V_{IREG} should be adjusted so that V_{LL3} is in an acceptable range for the desired contrast on the glass.

GCR contains trim bits that can be used to make changes to the regulated voltage so that contrast can be adjusted as desired. The trim can be used to increase or decrease the regulated voltage by 1.5% for each count. A total of $\pm 12\%$ of change can be done to the regulated voltage.

The following table shows the selected LCD bias voltages V_{LL1} , V_{LL2} , and V_{LL3} values based on the value of V_{IREG} .

42.4.4.1.2 LCD internal power supply, VSUPPLY = 0

V_{DD} is used as the SLCD power supply when $VSUPPLY = 0$. When powering SLCD using V_{DD} , the charge pump must be enabled ($GCR[CPSEL] = 1$).

When $VSUPPLY = 0$, $V_{DD} = V_{LL3}$ and V_{DD} should be kept in a range that supports the desired contrast on the glass.

42.4.5 Resets

During a reset, SLCD is configured in Default mode. Default mode includes the following settings:

- $GCR[LCDEN]$ is cleared, thereby forcing all front plane and back plane driver outputs to the high impedance state.
- $GCR[PAD_SAFE]$ is cleared, thereby allowing LCD to take control of pad functions. If the LCD will not be used, or during changes of the PEN register, it is recommended to set PAD_SAFE .
- 1/4 duty
- 1/3 bias
- $LCLK[2:0]$, FFR , $VSUPPLY$, $CPSEL$, $RVEN$, and $BRATE[2:0]$ revert to their reset values; V_{LL3} is internally connected to V_{DD}

42.4.6 Interrupts

When a fault detection complete event occurs, $FDSR[FDCF]$ bit is set. The $FDSR[FDCF]$ bit remains asserted until software writes 1 to clear. If both $FDSR[FDCF]$ and $GCR[FDCIEN]$ bits are set, an LCD interrupt signal is asserted.

42.4.7 LCD display fault detect circuit (LFD)

Most failures, where an LCD segment is either unexpectedly on or off, result in erroneous information that can mislead a user and cause a dangerous situation. The LCD display fault detect circuit's (LFD) function finds faults in the LCD display, display connector, and board connections between the MCU and the display.

The LCD panel can be regarded as a matrix of segments, as shown in Figure 42-33, Figure 42-34, and Figure 42-35. Any open/short connection changes the capacitive characteristics of the segment matrix. The pullup fault detection checks the capacitive characteristic of an LCD_Pn pin by applying a weak pullup voltage to the display capacitor matrix. The rise time response is sampled and summed within a user-defined time frame and stored for postprocessing in FDSR[FDCNT]. The summing of the digitized values uses the principle that the response of a capacitor for each charge/discharge is constant for the same loading conditions.

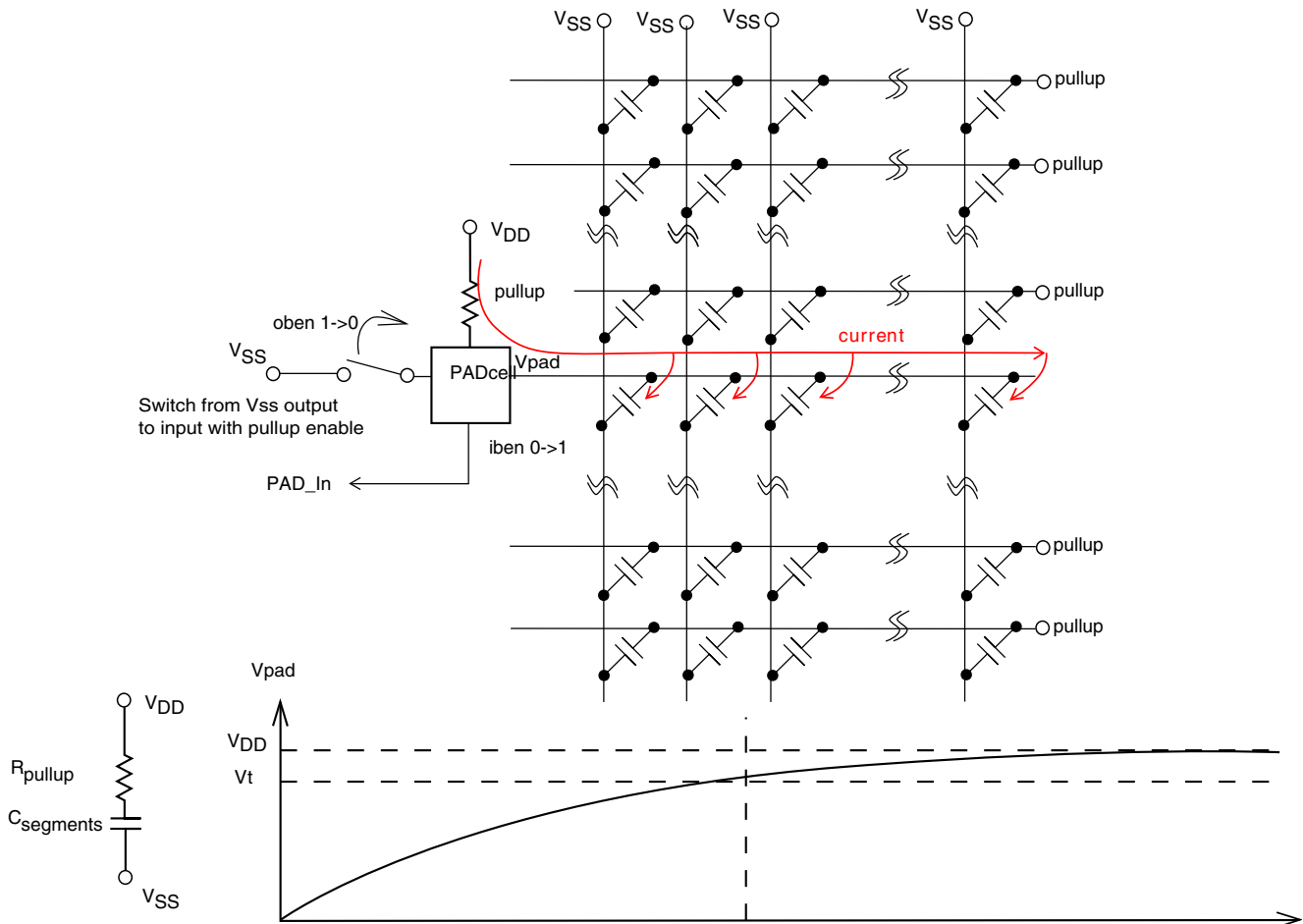
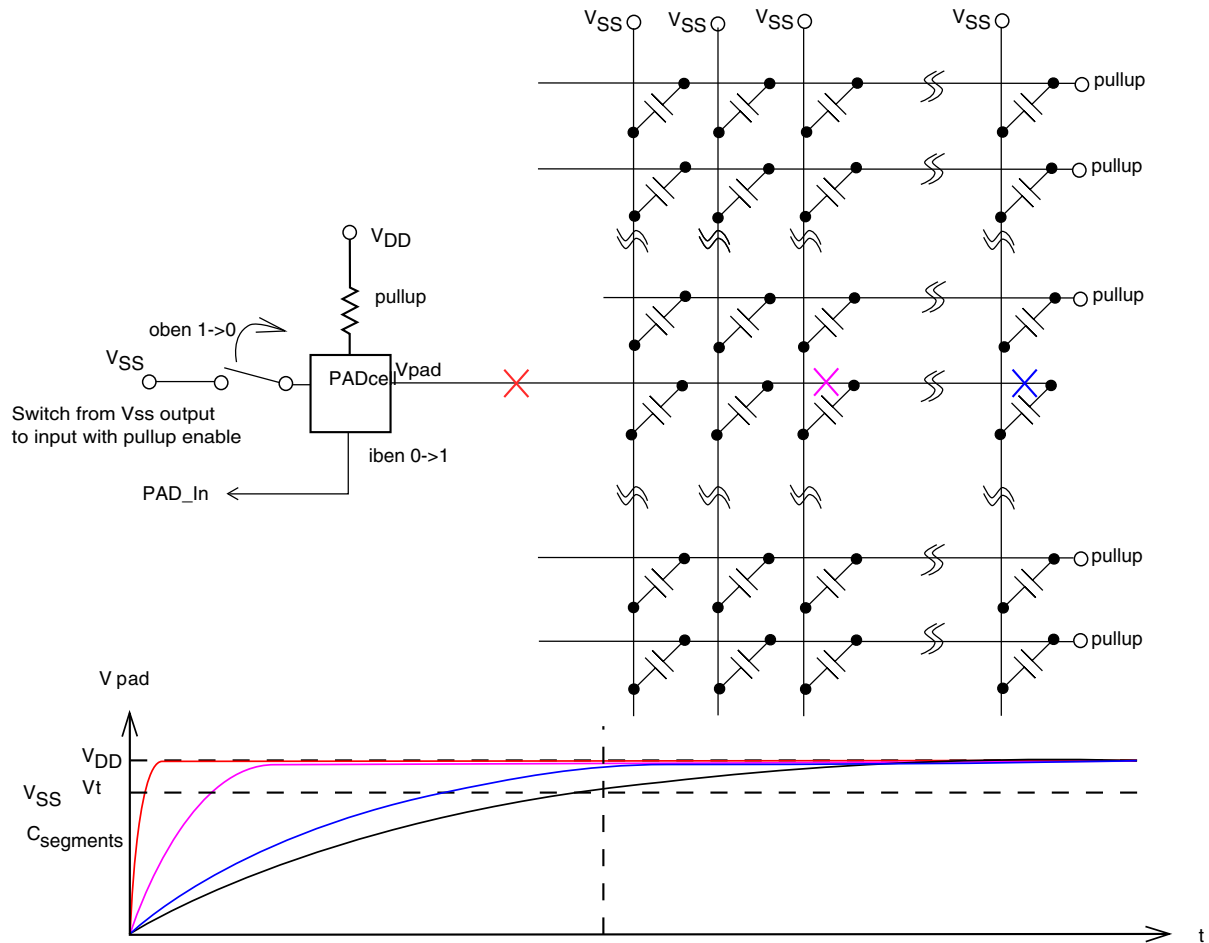


Figure 42-33. Pullup fault detect in connection/segment normal case

Functional description



If there's any open case in connection or panel, the $C_{segments}$ will become smaller, which makes the pullup time shorter.

Figure 42-34. Pullup fault detect in connection/segment open case

Functional description

- Short-circuits in the front plane or back plane connection (all silicon or board locations), see [Figure 42-35](#).
- Excessive leakage in the front plane or back plane connection (silicon or board).
- Supply connectivity through the driver for the V_{SS} level.
- Opens in the front plane or back plane connection (bondwire, package, silicon, or board), see [Figure 42-35](#).

The purpose of this circuit is not to:

- Measure independent pixel capacitances.
- Measure voltage levels or contrast.
- Measure the open connections between the front plane/back plane and the V_{LL1} , V_{LL2} , and V_{LL3} drivers.

If there is any open case in connection or panel, $C_{segments}$ becomes smaller, which changes the rise time response.

Pullup fault detection can be performed while LCDEN is asserted.

1. Set the target pin number by writing $FDCR[FDPINID[5:0]]$.
2. Set $FDCR[FDBPEN]$ if the target pin is working as back plane, or set $FDCR[FDBPEN]$ as 0 if the target pin is working as front plane.
3. Select the sample clock frequency by setting $FDCR[FDPRS[2:0]]$.
4. Set the sample window by writing to $FDCR[FDSWW[2:0]]$.
5. Enable detection by writing 1 to $FDCR[FDEN]$.
6. Wait until the $FDSR[FDCF]$ bit is asserted (by polling or by interrupt).
7. Read $FDSR[FDCNT]$.
8. Write 1 to clear $FSCR[FDCF]$.

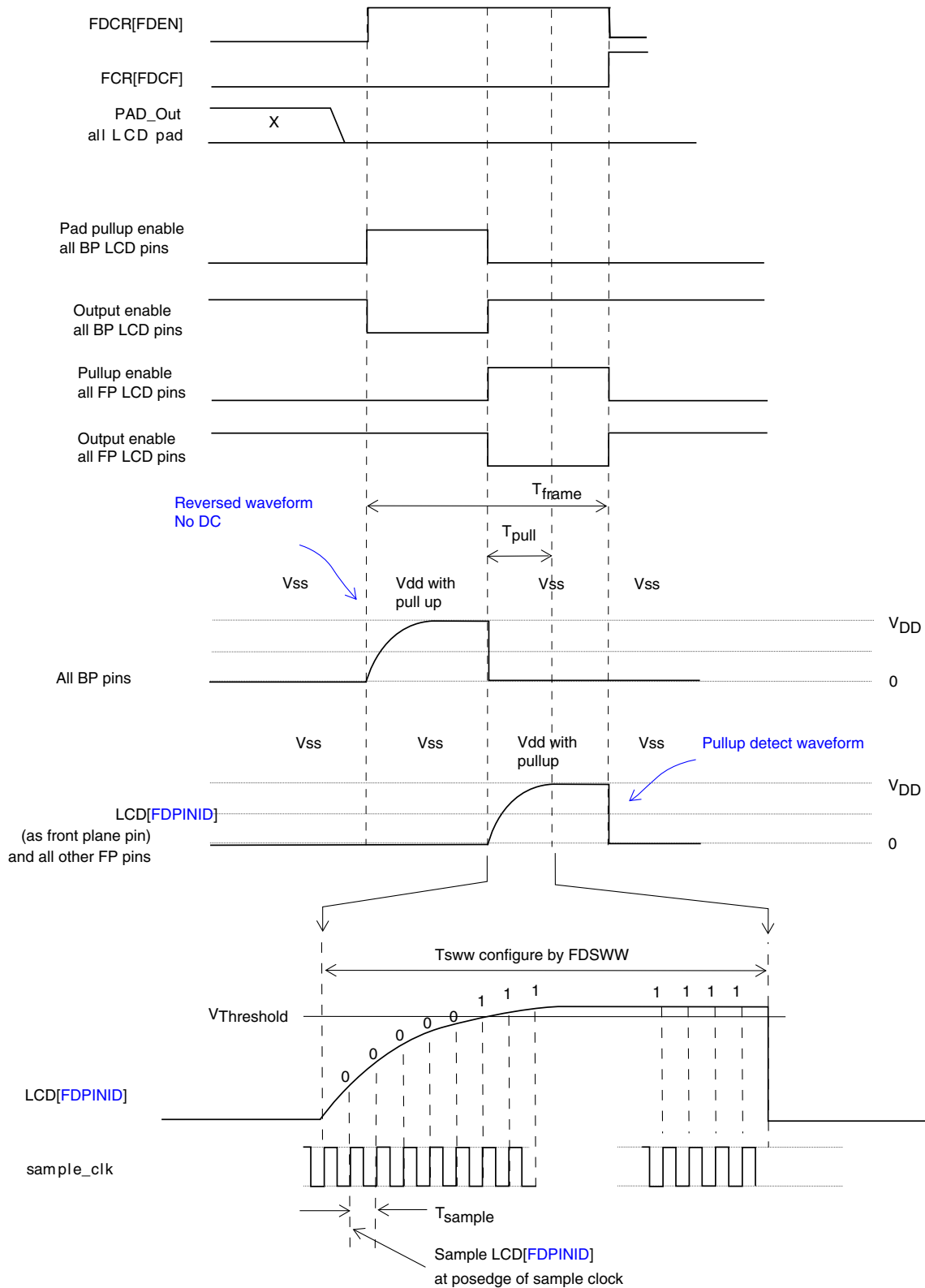


Figure 42-36. Pullup fault detection timing diagram, while FDBPEN is 0

Functional description

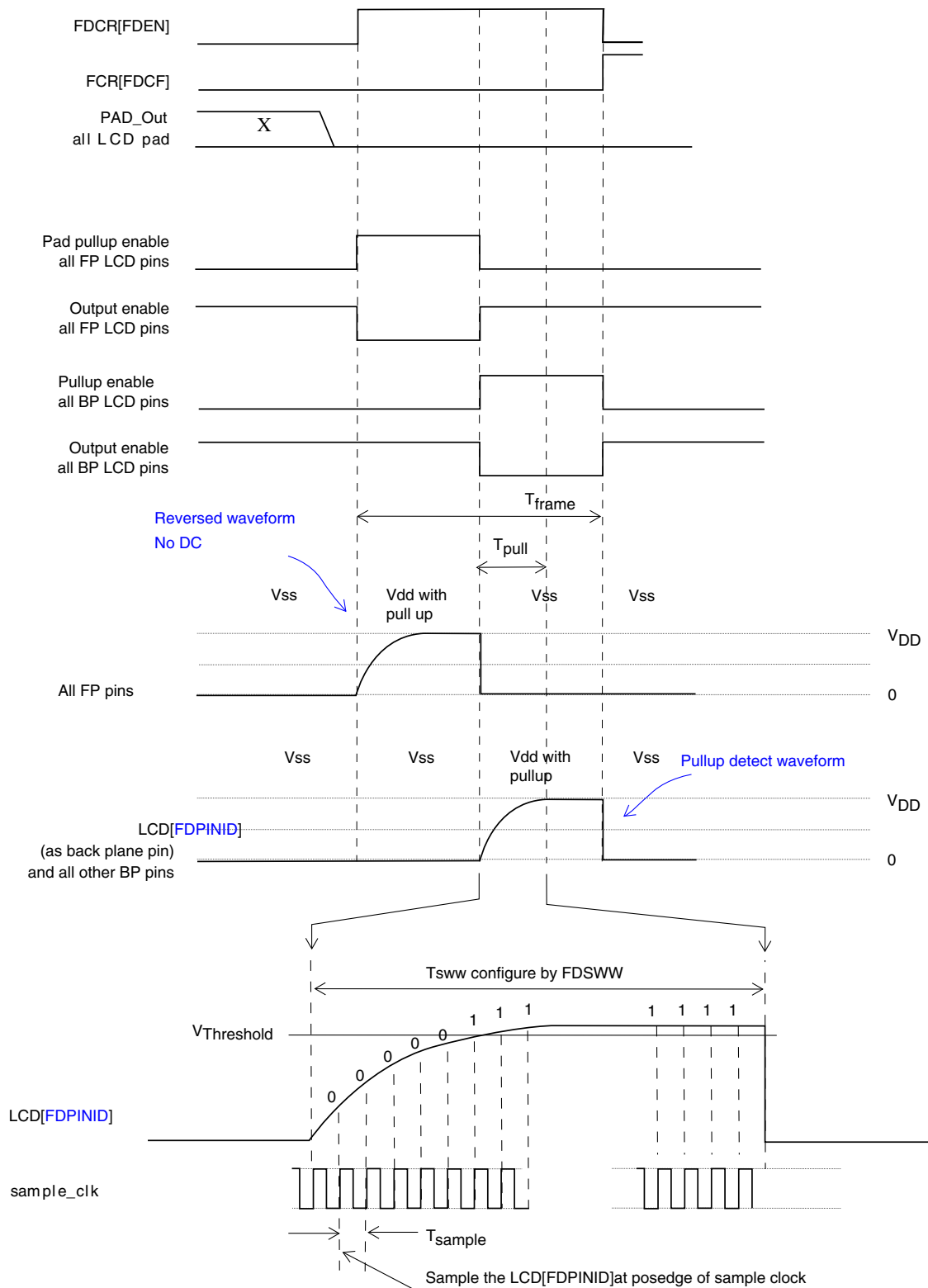


Figure 42-37. Pullup fault detection timing diagram, while FDBPEN is 1

Note

The voltage waveforms applied to the LCD electrodes must have no DC component. Therefore, a reversed pullup voltage waveform must be applied before the pullup detect waveform.

Fault detection occupies one frame and the pullup time is half-frame duration. You must ensure that the fault detection window set by the sample window width is less than half-frame duration.

42.5 Initialization section

This section provides a recommended initialization sequence for the LCD controller and also includes initialization examples for several LCD application scenarios.

42.5.1 Initialization sequence

The list below provides a recommended initialization sequence for the LCD controller.

You must write to all PEN, BPEN, and WFyTOx registers to initialize their values after a reset.

1. GCR
 - a. If desired, set PAD_SAFE bit to prevent unwanted operation on LCD pins during configuration change. Configure LCD clock source (SOURCE bit).
 - b. Configure ALTSOURCE bit.
 - c. Enable regulated voltage (RVEN).
 - d. Trim the regulated voltage (RVTRIM).
 - e. Enable charge pump (CPSEL bit).
 - f. Configure charge pump clock (LADJ[1:0]).
 - g. Configure LCD power supply (VSUPPLY).
 - h. Configure LCD behavior in low-power mode (LCDDOZE and LCDSTP bits).
 - i. Configure LCD duty cycle (DUTY[2:0]).
 - j. Select and configure LCD frame frequency (LCLK[2:0]) and FFR.

2. AR

- a. Configure display mode (ALT and BLANK bits).
- b. Configure blink mode (BMODE).
- c. Configure blink frequency (BRATE[2:0]).

3. PENn

- a. Enable LCD controller pins (PEN[63:0] bits).

NOTE

LCD pins assigned to V_{CAP1} and V_{CAP2} may only be enabled if in RBIAS mode (CPSEL=0), and LCD pins assigned to V_{LL1} and V_{LL2} may only be enabled if in RBIAS mode and low power mode (LADJ[1]=0).

4. BPENn

- a. Enable LCD pins to operate as an LCD back plane (BPEN[63:0]).

5. WFyTOx

- a. Initialize WFyTOx registers with back plane configuration and an initial display screen.

6. GCR

- a. Disable PAD_SAFE bit, if set. Enable LCD controller (LCDEN bit).

42.5.2 Initialization examples

This section provides initialization information for LCD configuration. Each example details the register and field values required to achieve the appropriate LCD configuration for a given LCD application scenario. [Table 42-41](#) lists each example and the setup requirements.

Table 42-41. LCD application scenario

Example	Operating voltage, V_{DD}	LCD clock source	LCD glass operating voltage	Required LCD segments	LCD frame rate	Blinking mode/rate	Behavior in Wait/Stop modes	LCD power input
1	2.7 V	External 32.768 kHz	3 V	128	30 Hz	None	Wait: on Stop: on	Power via external resistor bias network

These examples illustrate the flexibility of SLCD to be configured to meet a wide range of application requirements, including:

- Clock inputs/sources
- LCD power supply
- LCD glass operating voltage
- LCD segment count
- Varied blink modes/frequencies
- LCD frame rate

42.5.2.1 Initialization example 1

Table 42-42. LCD setup requirements for example 1

Example	Operating voltage, V_{DD}	LCD clock source	LCD glass operating voltage	Required LCD segments	LCD frame rate	Blinking mode/rate	Behavior in Stop and Wait modes	LCD power input
1	2.7 V	External 32.768 kHz	3 V	128	30 Hz	None	Wait: on Stop: on	Power via External resistor bias network

[Table 42-43](#) lists the setup values required to initialize the LCD as specified by example 1:

Table 42-43. Initialization register values for example 1

Register	Field	Binary value	Comment
GCR	CPSEL	0	Disable charge pump.
	LADJ[1:0]	XX	Adjust the resistor bias network for different LCD glass capacitance. or Configure LCD charge pump clock source.
	VSUPPLY	1	When VSUPPLY = 1 and CPSEL = 0, the LCD must be externally powered via V _{LL3} (see Table 42-40).
		0	LCD frame interrupts disabled.
	LCDDOZE	1	LCD is "on" in Wait mode.
	LCDSTP	1	LCD is "on" in Stop mode.
	LCDEN	0	Initialization is done before initializing the LCD controller.
	SOURCE	0	Selects the external clock reference as the LCD clock input.
	ALTSOURCE	0	Default setting, ignored since SOURCE = 0
	LCLK[2:0]	101	For 1/8 duty cycle, select closest value to the desired 30 Hz LCD frame frequency (see Table 42-31).
	FFR	0	For 30Hz frame rate, use standard frame rate setting.
	DUTY[2:0]	111	For 128 segments (8x16), select 1/8 duty cycle.
	RVEN	0	V _{REG} is not used for this configuration.
	RVTRIM[3:0]	XXXX	Trim value may be adjusted to achieve desired contrast. For a given voltage, trim value is determined by characterization.
AR	BLINK	0	No blinking.
	ALT	X	Alternate bit is configured during LCD operation.
	BLANK	X	Blank bit is configured during LCD operation.
	BMODE	X	N/A; Blink Blank = 0; Blink Alternate = 1
	BRATE[2:0]	XXX	N/A
PEN[3:0]	PEN0	11111111	Only 29 LCD pins need to be enabled. Note: Any of the 63 LCD pins can be used, this allows flexibility in the hardware design.
	PEN1	11111111	
	PEN2	11111111	
	PEN3	00000000	
BPEN[3:0]	BPEN0	11111111	Eight back plane pins needed. Note: Any LCD pin can be enabled to operate as a back plane.
	BPEN1	00000000	
	BPEN2	00000000	
	BPEN3	00000000	

Table continues on the next page...

Table 42-43. Initialization register values for example 1 (continued)

Register	Field	Binary value	Comment
WfYTOx	WF0	00000001	Configure which phase the eight back plane pins are active in. This configuration sets LCD_P0 to be active in Phase A, LCD_P1 to be active in Phase B, and so on. This configuration sets LCD pins 0–7 to represent back plane 1–8. Note: Any back plane pin can be active in any phase.
	WF1	00000010	
	WF2	00000100	
	WF3	00001000	
	WF4	00010000	
	WF5	00100000	
	WF6	01000000	
	WF7	10000000	

42.6 Application information

[Figure 42-38](#) is a programmer's model of SLCD. The programmer's model groups the SLCD register fields into functional groups. The model is a high-level illustration of SLCD showing the module's functional hierarchy including initialization and runtime control.

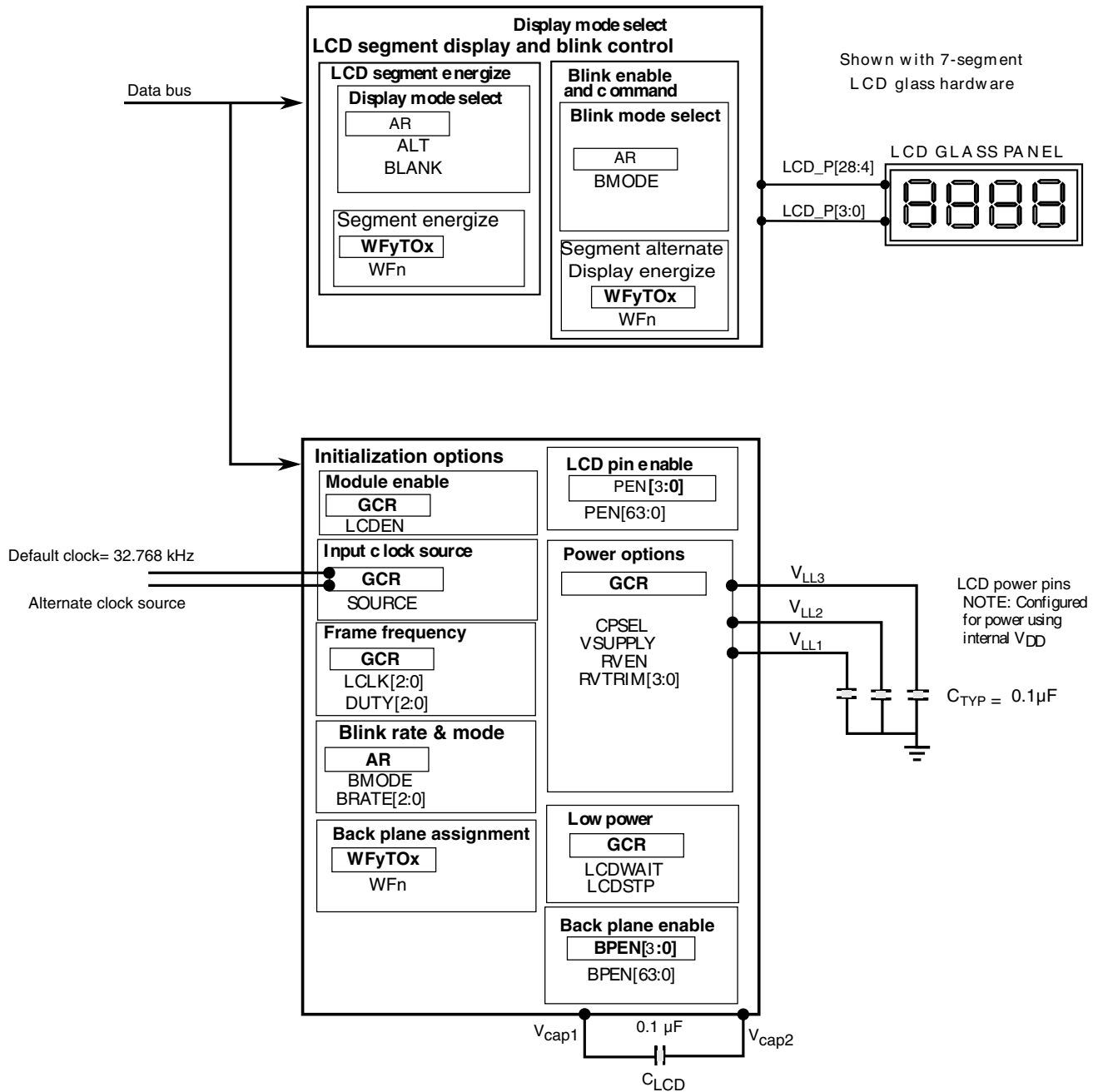
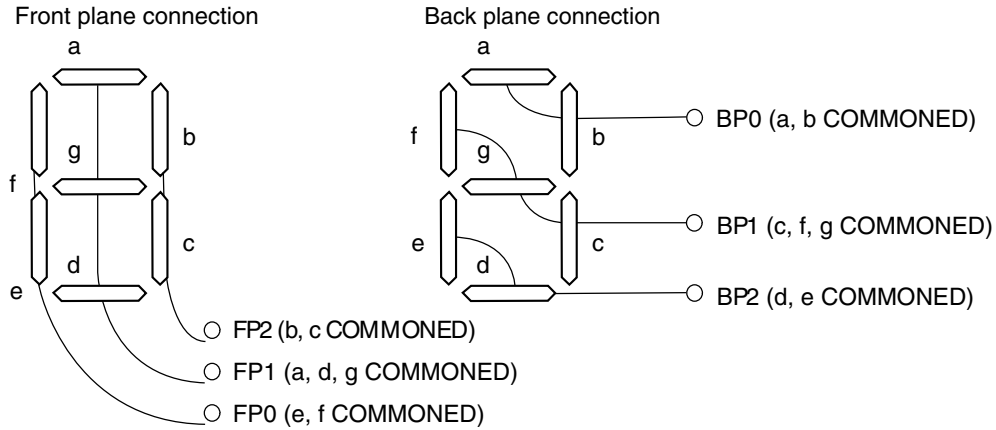


Figure 42-38. LCD programmer's model diagram

42.6.1 LCD seven segment example description

A description of the connection between SLCD and a seven segment LCD character is illustrated in Figure 42-39 to provide a basic example for a 1/3 duty cycle LCD implementation. The example uses three back plane pins (LCD_P3, LCD_P4, and

LCD_P5) and three front plane pins (LCD_P0, LCD_P1, and LCD_P2). The contents of the WFyTOx registers and output waveforms are also shown. Output waveforms are illustrated in the following two figures.



The above segment assignments are provided by the specification for the LCD glass for this example. For this LCD controller any of the LCD pins can be configured to be front plane 0-2 or back plane 0-2. For this example, set LCD_P0 as FP0, LCD_P1 as FP1, and LCD_P2 as FP2. For this example, set LCD_P3 as BP0, LCD_P4 as BP1 and LCD_P5 as BP2.

Back plane assignment is done in the LCD waveform registers as shown below:

WF3	0	0	0	0	0	0	0	1
WF4	0	0	0	0	0	0	1	0
WF5	0	0	0	0	0	1	0	0

With the above conditions the segment assignment is shown below:

WF0	-	-	-	-	-	e	f	-
WF1	-	-	-	-	-	d	g	a
WF2	-	-	-	-	-	-	c	b

To display the character "4": WF0 = XXXXX01X, WF1 = XXXXX010, WF2 = XXXXXX11

WF0	X	X	X	X	X	0	1	X
WF1	X	X	X	X	X	0	1	0
WF2	X	X	X	X	X	X	1	1

X = don't care

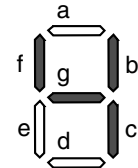


Figure 42-39. Waveform output from WFyTOx registers

42.6.1.1 LCD controller waveforms

Duty = 1/3

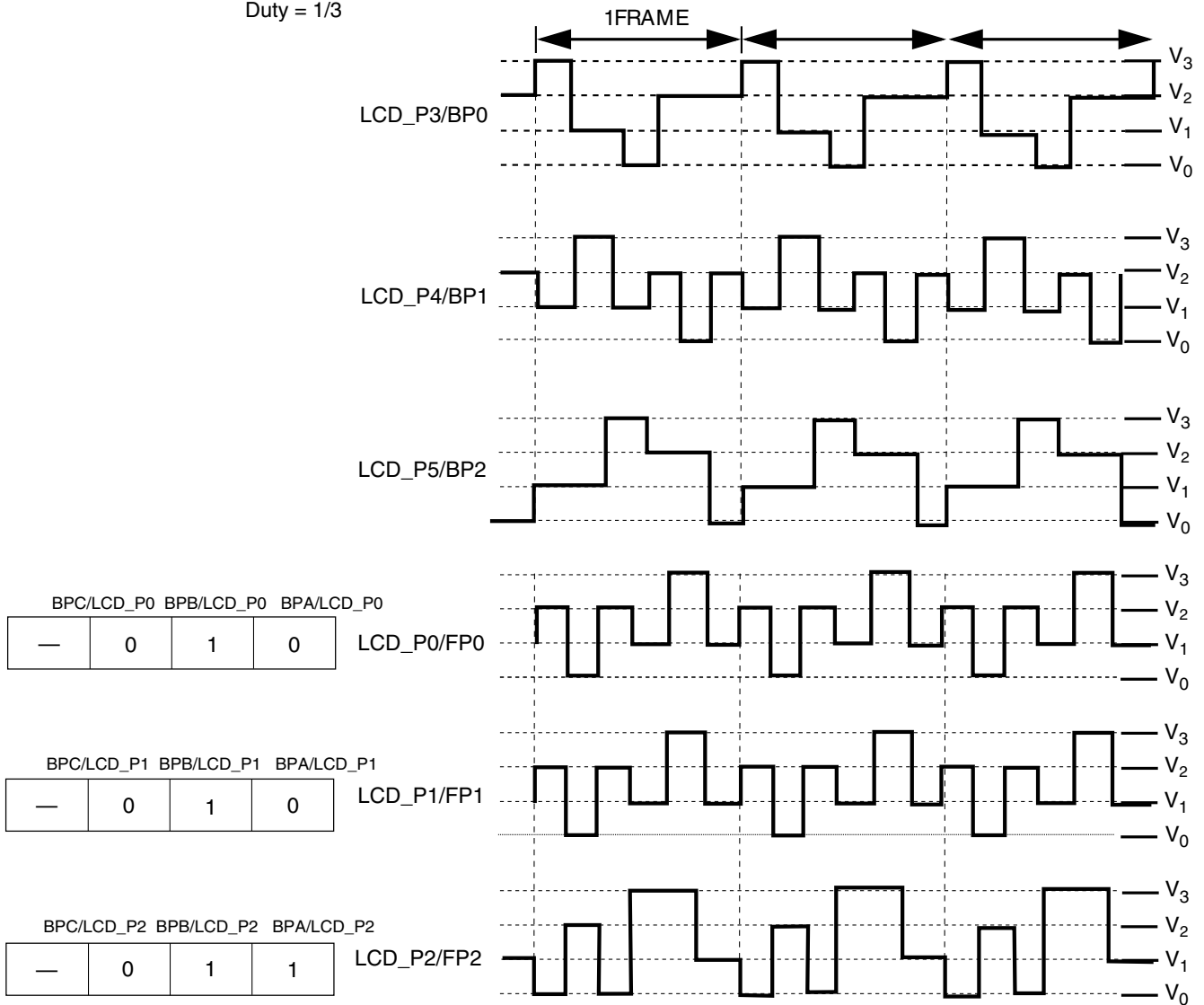


Figure 42-40. LCD waveforms

42.6.1.2 Segment on driving waveform

The voltage waveform across the "f" segment of the LCD (between LCD_P4/BP1 and LCD_P0/FP0) is illustrated in Figure 42-41. As shown in the waveform, the voltage level reaches the value V_3 — therefore, the segment will be on.

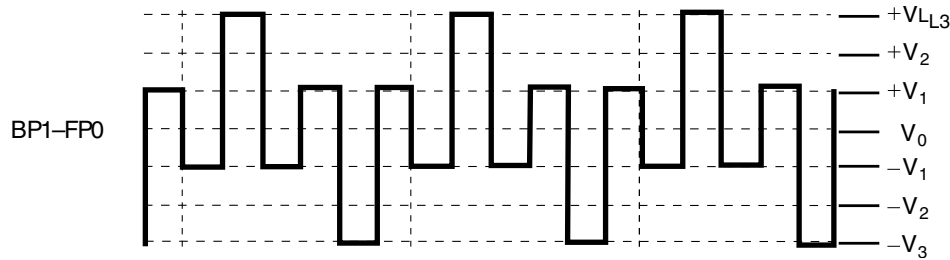


Figure 42-41. "f" segment voltage waveform

42.6.1.3 Segment off driving waveform

The voltage waveform across the "e" segment of the LCD (between LCD_P5/BP2 and LCD_P0/FP0) is illustrated in Figure 42-42. As shown in the waveform, the voltage does not reach the voltage V_3 threshold — therefore the segment will be off.

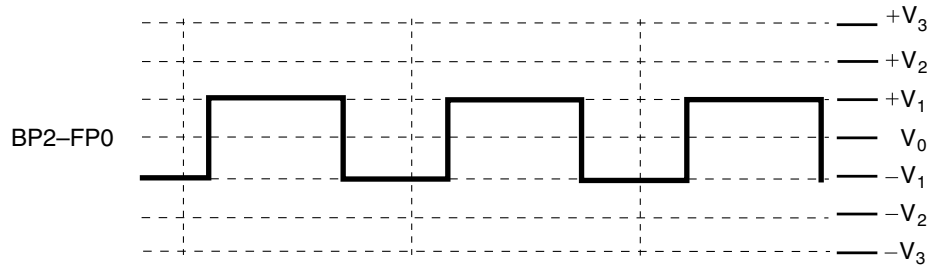


Figure 42-42. "e" segment voltage waveform

42.6.2 LCD contrast control

Contrast control for SLCD is achieved when the LCD power supply is adjusted to a value greater than or less than the LCD threshold voltage. The LCD threshold voltage is the nominal voltage required to energize the LCD segments. For 3 V LCD glass, the LCD threshold voltage is usually about 3 V. Increasing the value of the LCD voltage makes the energized segments on the LCD glass become more opaque. Decreasing the value of the LCD voltage makes the energized segments on the LCD glass become more transparent. The LCD power supply can be adjusted to facilitate contrast control by using the internal regulator V_{IREG} and adjusting its trim (RVTRIM), or for more extreme contrast control, by using external components like a variable resistor.

Application information

NOTE:
Contrast control configuration
when LCD is powered using
internal V_{DD}

V_{DD} is specified between 2.7 and 5.5V

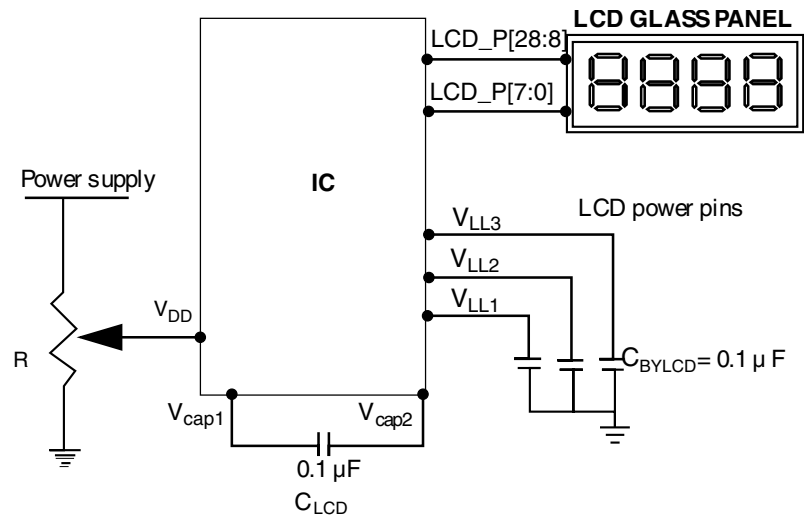


Figure 42-43. Power connections for contrast control

How to Reach Us:

Home Page:
freescale.com

Web Support:
freescale.com/support

Information in this document is provided solely to enable system and software implementers to use Freescale products. There are no express or implied copyright licenses granted hereunder to design or fabricate any integrated circuits based on the information in this document.

Freescale reserves the right to make changes without further notice to any products herein. Freescale makes no warranty, representation, or guarantee regarding the suitability of its products for any particular purpose, nor does Freescale assume any liability arising out of the application or use of any product or circuit, and specifically disclaims any and all liability, including without limitation consequential or incidental damages. "Typical" parameters that may be provided in Freescale data sheets and/or specifications can and do vary in different applications, and actual performance may vary over time. All operating parameters, including "typicals," must be validated for each customer application by customer's technical experts. Freescale does not convey any license under its patent rights nor the rights of others. Freescale sells products pursuant to standard terms and conditions of sale, which can be found at the following address: freescale.com/SalesTermsandConditions

Freescale, the Freescale logo, and Kinetis are trademarks of Freescale Semiconductor, Inc., Reg. U.S. Pat. & Tm. Off. All other product or service names are the property of their respective owners.

© 2012, 2013 Freescale Semiconductor, Inc.

