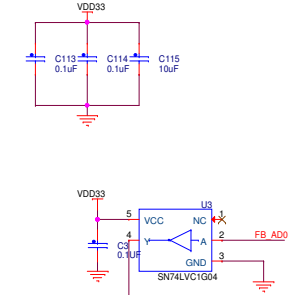
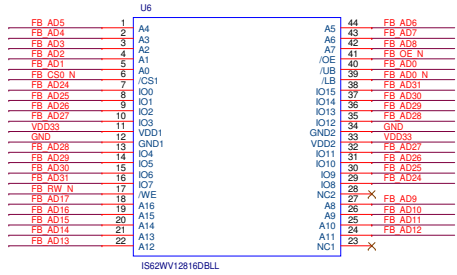
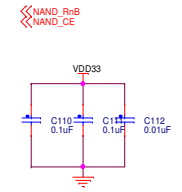
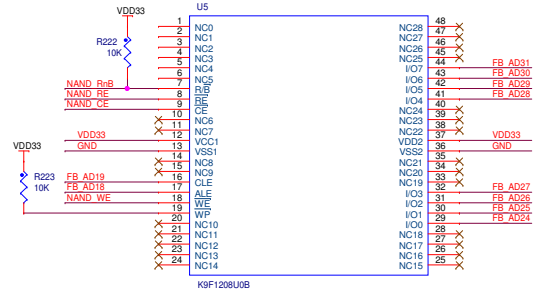


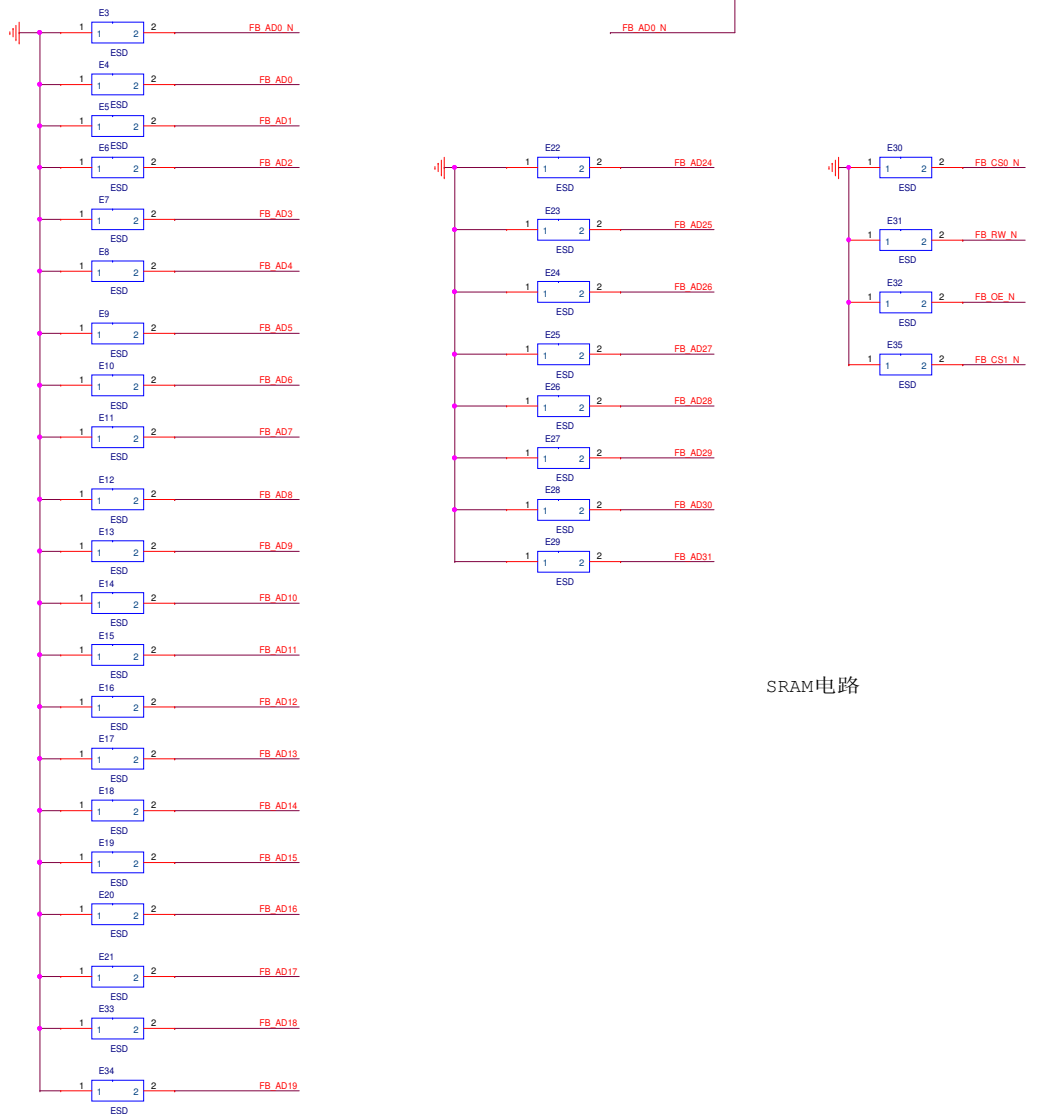
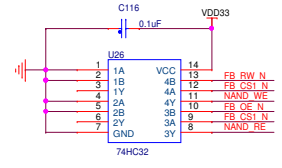
Title	<Title>	File	<RevCode>
Size	Document Number	<Doc>	
C			
Date:	Friday, March 01, 2013	Sheet	1 of 1



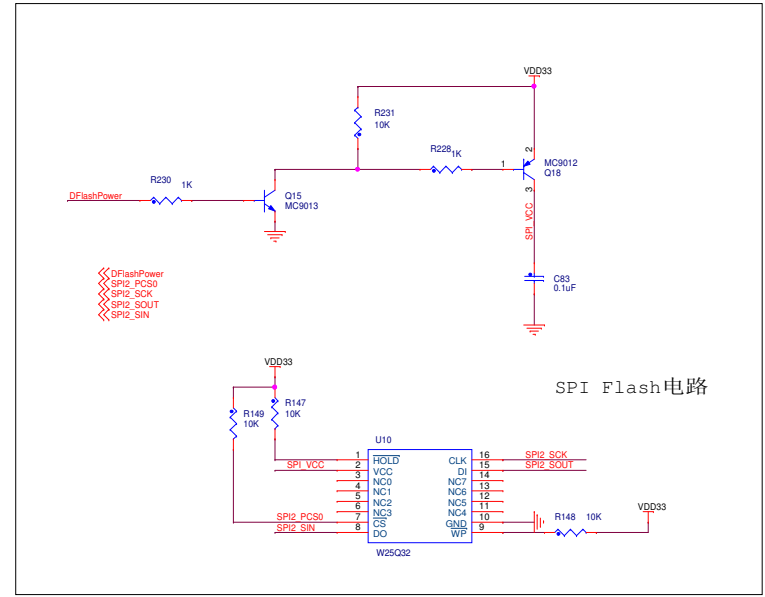
- FB_AD31
- FB_AD30
- FB_AD29
- FB_AD28
- FB_AD27
- FB_AD26
- FB_AD25
- FB_AD24
- FB_AD19
- FB_AD18
- FB_AD17
- FB_AD16
- FB_AD15
- FB_AD14
- FB_AD13
- FB_AD12
- FB_AD11
- FB_AD10
- FB_AD9
- FB_AD8
- FB_AD7
- FB_AD6
- FB_AD5
- FB_AD4
- FB_AD3
- FB_AD2
- FB_AD1
- FB_AD0
- FB_OE_N
- FB_CS0_N
- FB_CS1_N



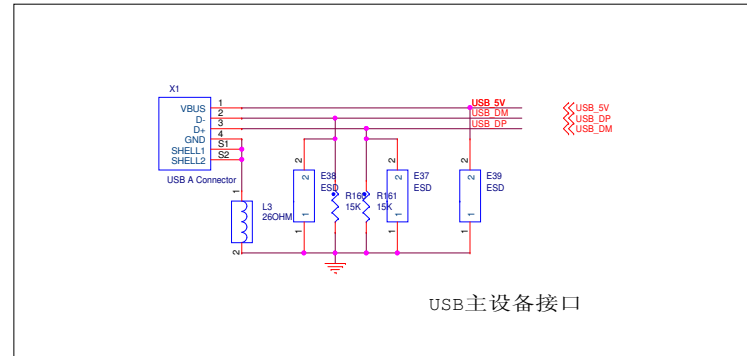
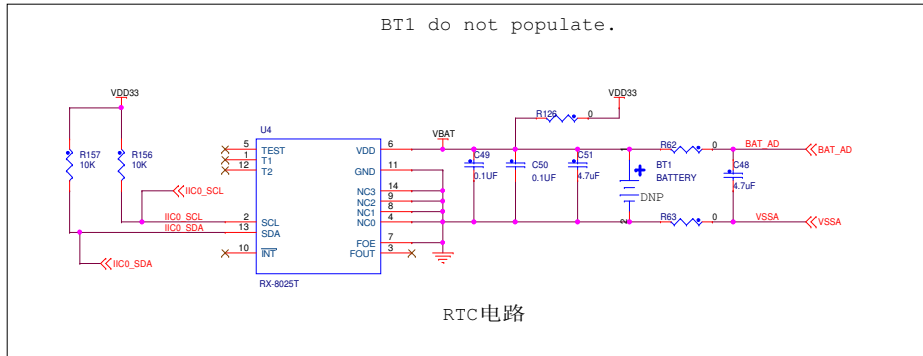
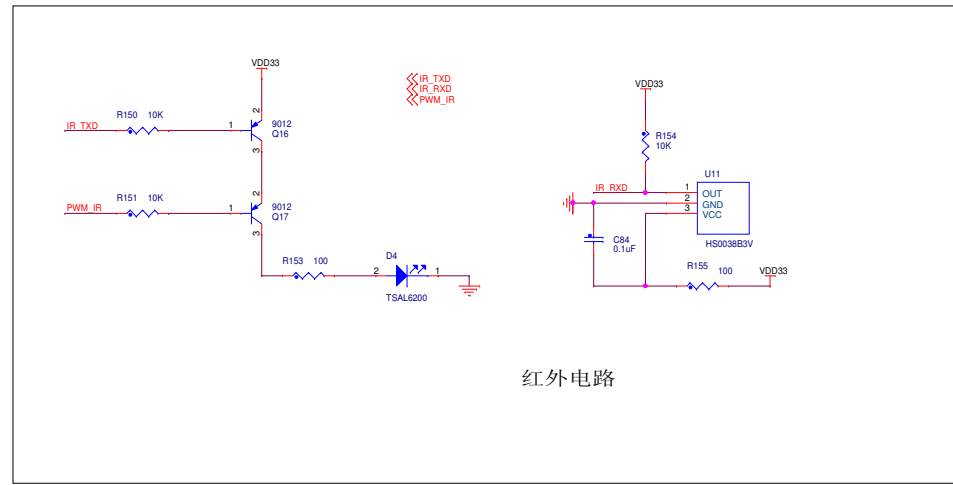
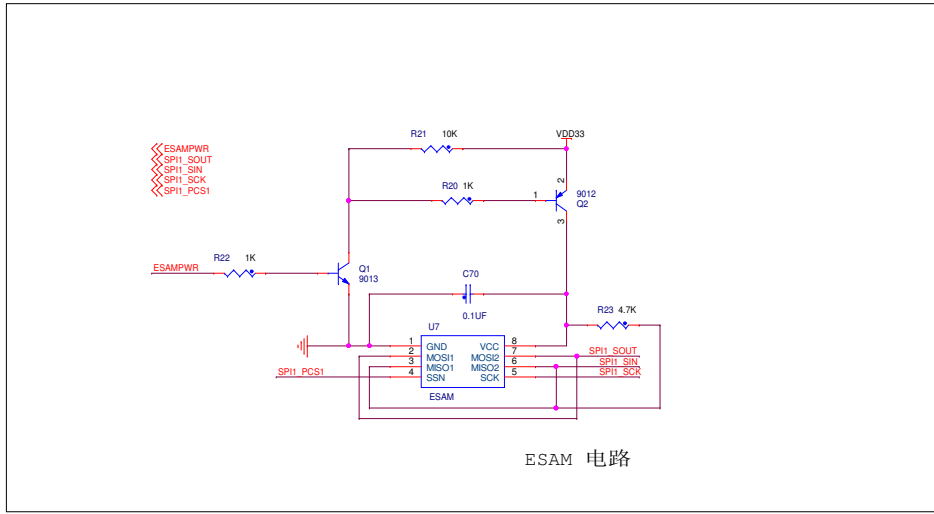
NAND Flash电路



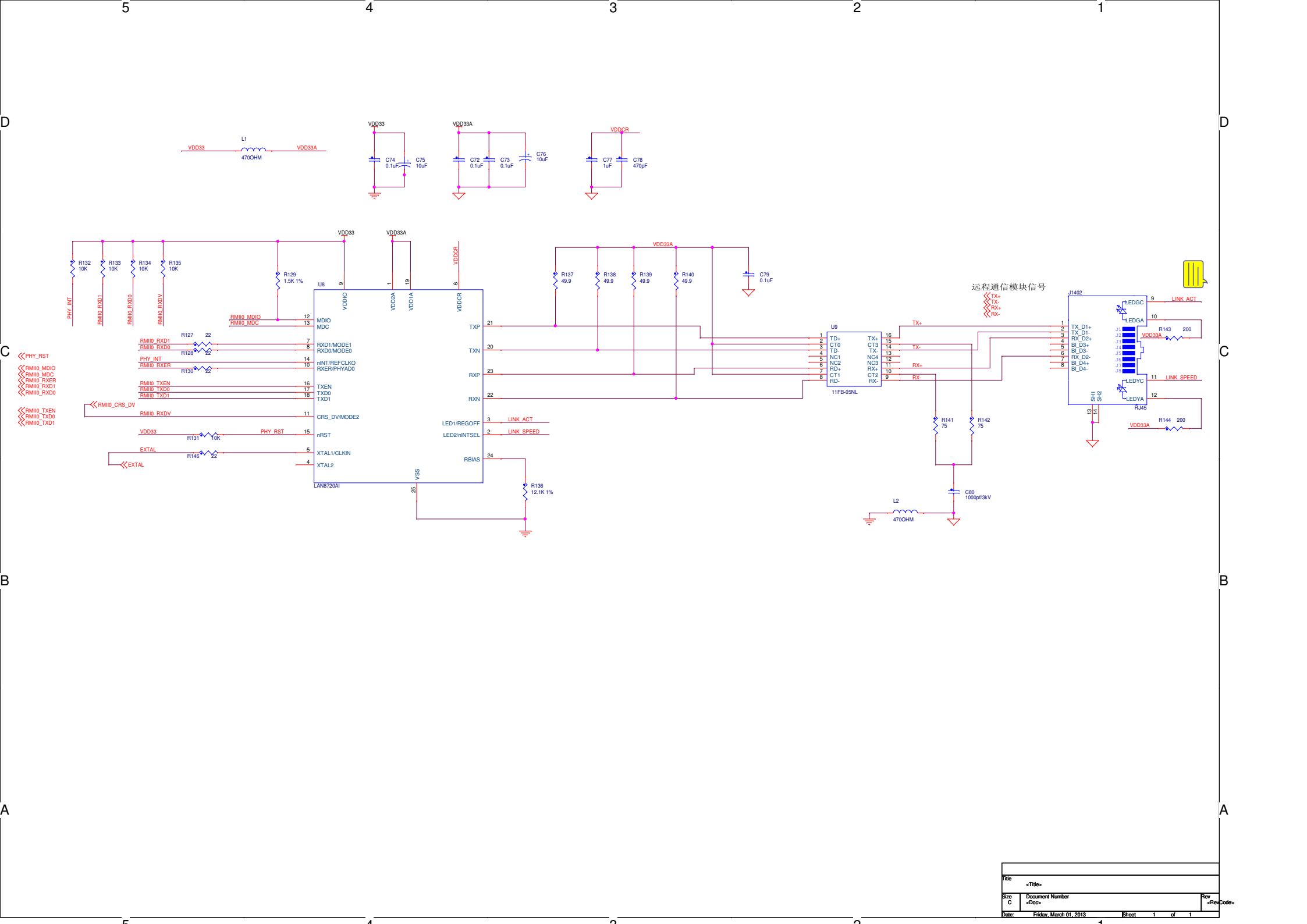
SRAM电路



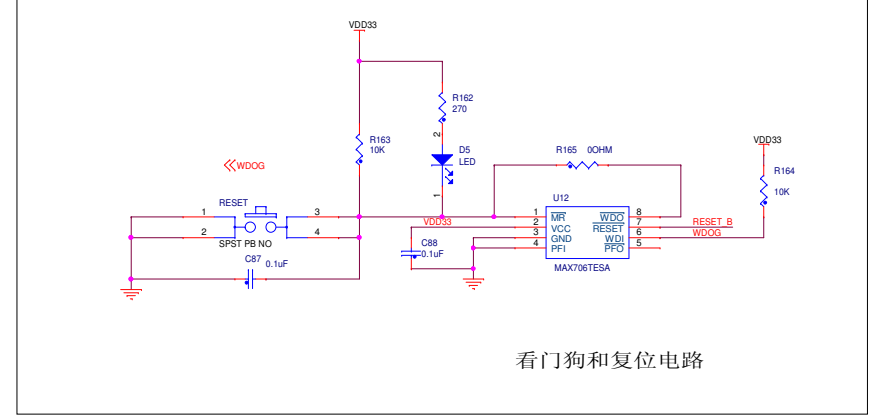
SPI Flash电路



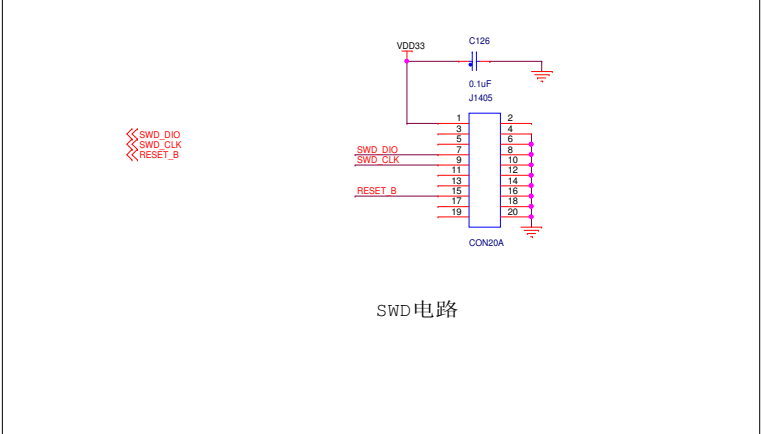
File	<Title>	Rev
Size	Document Number	<Rev Code>
Date:	Friday, March 01, 2013	Sheet 1 of 1



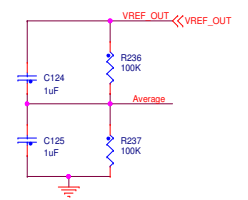
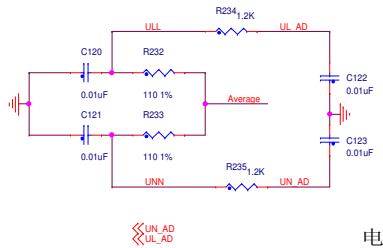
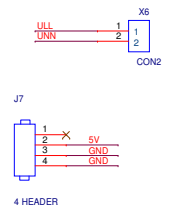
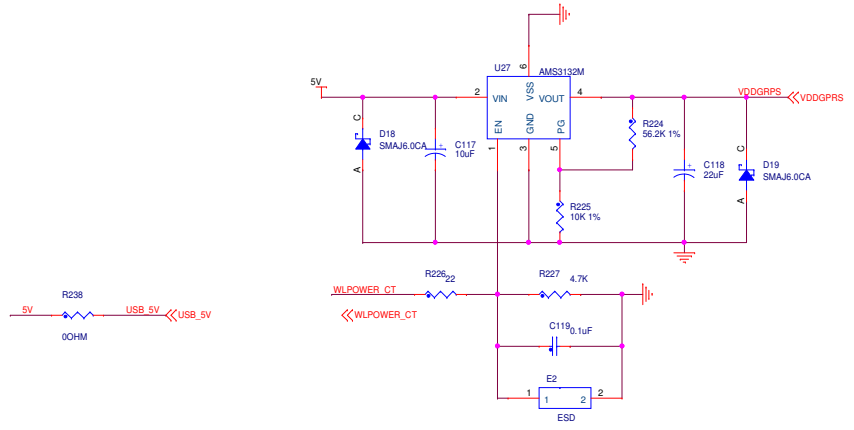
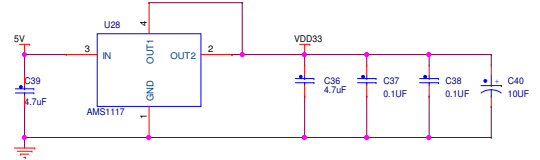
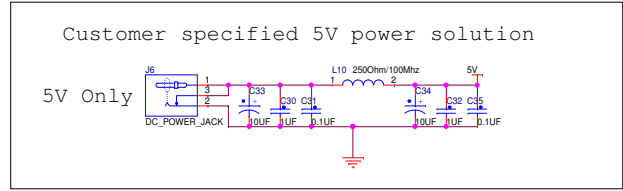
Title	<Title>	Rev	<RevCode>
Size	Document Number		
C	<Doc>		
Date:	Friday, March 01, 2013	Sheet	1 of 1



看门狗和复位电路



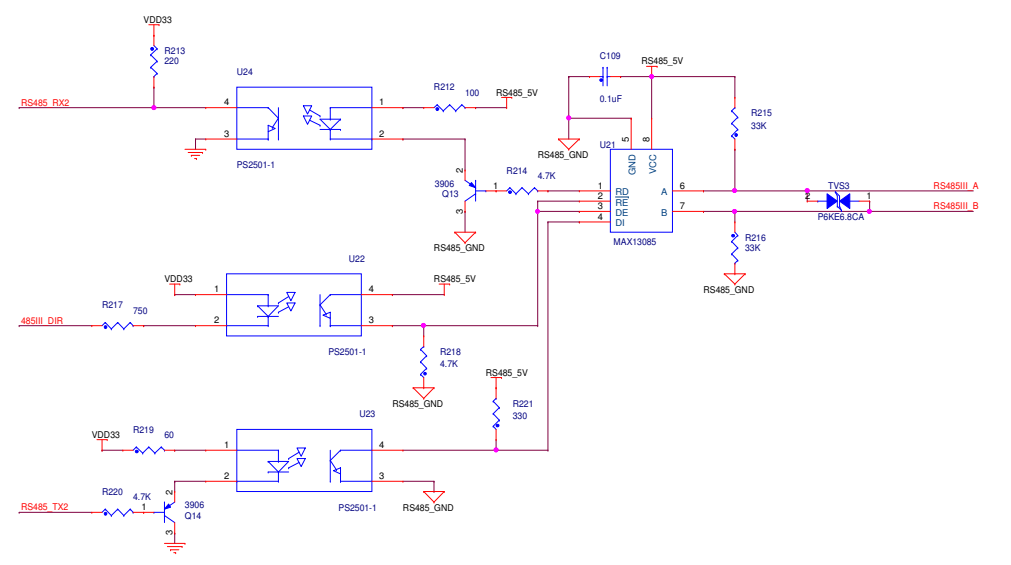
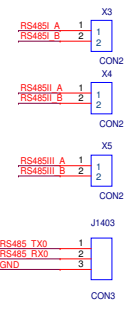
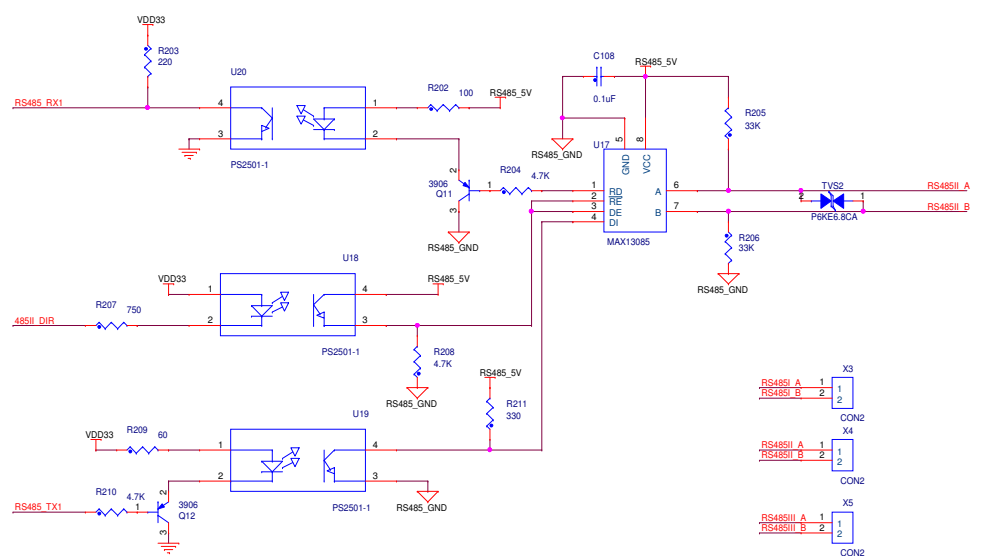
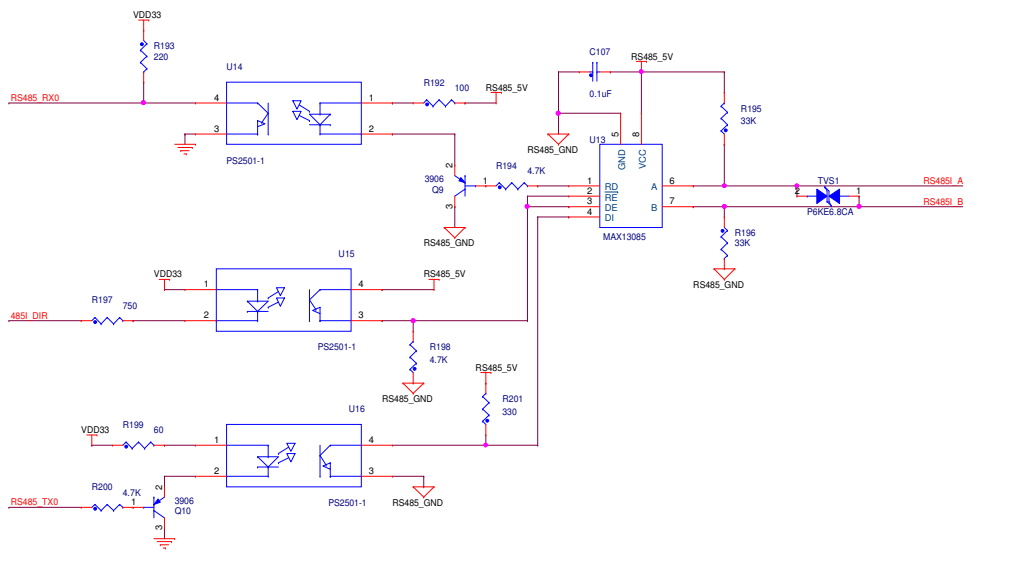
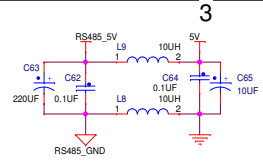
SWD电路



电压AD采样，靠近MCU管脚排版

File	<Title>	Rev
Size	Document Number	<Doc>
Date	Friday, March 01, 2013	Sheet 1 of 1

- RS485_TX0
- RS485_RX0
- RS485_TX1
- RS485_RX1
- RS485_TX2
- RS485_RX2
- 485II_DIR
- 485III_DIR



Title	<Title>	
Size	Document Number	Rev
C	<Doc>	<Code>
Date:	Friday, March 01, 2013	Sheet 1 of 1

