

Table of Contents

1	TITLE PAGE
2	NOTES
3	SEGMENT LCD SECTION

Revisions

Rev	Description	Date	Approved
X1	Initial release	05-Aug-10	Norman Michael
A	Proto Type Release	12-Aug-10	Norman Michael
B	Silk screen location change in board file. There is no change in Schematics. Shematics rev has been changed from A to B since there is an change in board file revision from A to B	28-Sep-10	Norman Michael

		Microcontroller Solutions Group 6501 William Cannon Drive West Austin, TX 78735-8598	
This document contains information proprietary to Freescale Semiconductor and shall not be used for engineering design, procurement or manufacture in whole or in part without the express written permission of Freescale Semiconductor.			
ICAP Classification: FCP: FIUO: X PUBI:			
Designer: Manjula	Drawing Title: TWRPI-SLCD		
Drawn by: Manjula	Page Title: TITLE PAGE		
Approved: Norman, Michael	Size A	Document Number SCH-26817 PDF: SPF-26817	Rev B
Date: Wednesday, September 29, 2010		Sheet 1 of 3	

NOTES:



ICAP Classification: FCP: ___ FIUO: X PUBL: ___

Drawing Title:

TWRPI-SLCD

Page Title:

NOTES

Size A	Document Number SCH-26817 PDF: SPF-26817	Rev B
-----------	---	----------

Date: Wednesday, September 29, 2010 Sheet 2 of 3

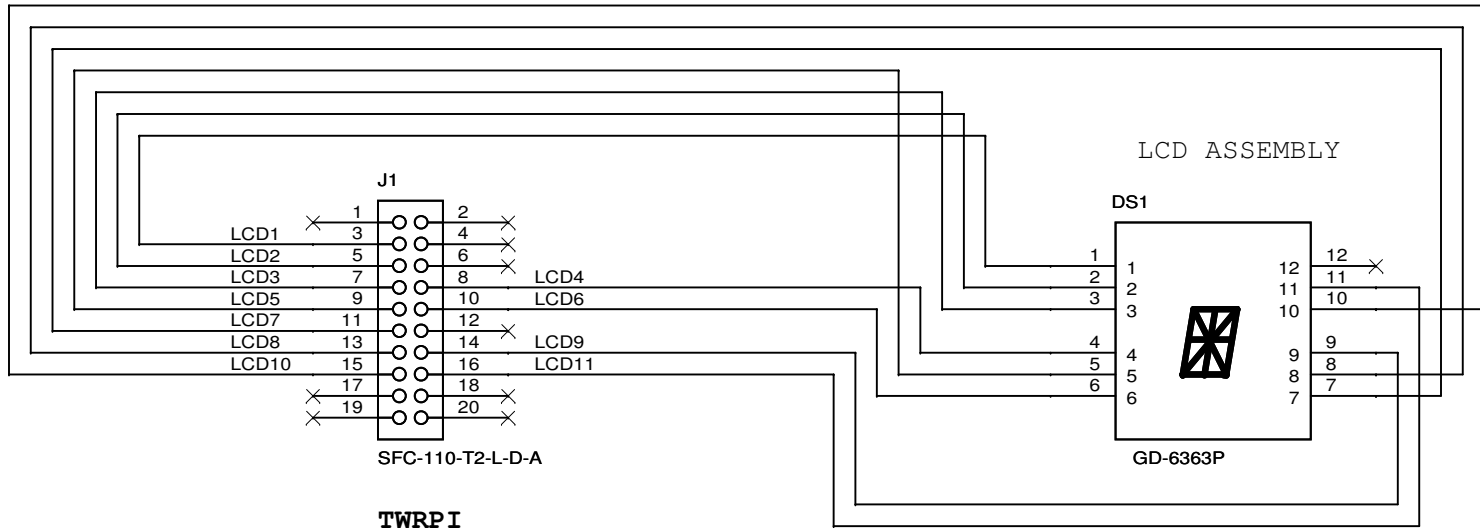
5

4

3

2

1



ICAP Classification: FCP: ___ FIUO: X PUBL: ___		
Drawing Title: TWRPI-SLCD		
Page Title: SEGMENT LCD SECTION		
Size A	Document Number SCH-26817 PDF: SPF-26817	Rev B
Date:	Wednesday, September 29, 2010	Sheet 3 of 3