


Table of Contents

2	Notes
3	CF & CPLD
4	MRAM, SD & SFLASH
5	OPTIONAL PORT

Revisions

Rev	Description	Date	Approved
X10	Convert into FSL template	9/8/09	DESIGNER
X11	All parts FCL	9/14/09	Michael N
X12	Replaced U5 with the correct part	9/15/09	Michael N
X14	Replaced some components with similar per Micetek suggestion	9/22/09	Michael N
X15	Added a Jumper on SD WR per BU request	9/25/09	Michael N
X16	Replaced SC part with shorter one	9/28/09	Michael N
X17	Replaced SD/MMC connector	10/09/09	Michael N
A	Released to Fab	10/15/09	Michael N
B	Add J15, J16 and J17 per customer req Released to fab	10/15/09	Michael N
B1	Replace with alternate part LEDs	1/29/10	Michael N

		Microcontroller Solutions Group 6501 William Cannon Drive West Austin, TX 78755-5598	
<small>This document contains information proprietary to Freescale Semiconductor and shall not be used for engineering design, procurement or manufacture in whole or in part without the express written permission of Freescale Semiconductor.</small>			
Designer: Rodolfo G		ICAP Classification: FCP: FIUQ: X PUB:	
Drawing Title: TWR-MEM			
Drawn by: Rodolfo G		Page Title: Table of contents	
Approved: Michael N	Size C	Document Number SCH-26248 PDF: SPF-26248	Rev B1
Date: Friday, January 29, 2010		Sheet 1 of 5	

1. Unless Otherwise Specified:

- All resistors are in ohms, 5%, 1/8 Watt
- All capacitors are in uF, 20%, 50V
- All voltages are DC
- All polarized capacitors are aluminum electrolytic

2. Interrupted lines coded with the same letter or letter combinations are electrically connected.

3. Device type number is for reference only. The number varies with the manufacturer.

4. Special signal usage:

- _B Denotes - Active-Low Signal
- <> or [] Denotes - Vectored Signals

5. Interpret diagram in accordance with American National Standards Institute specifications, current revision, with the exception of logic block symbology.



ICAP Classification: FCP: _____ FIUC: X PUBI: _____

Drawing Title:

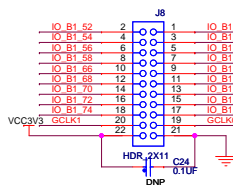
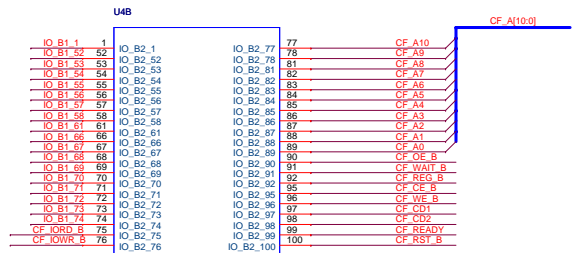
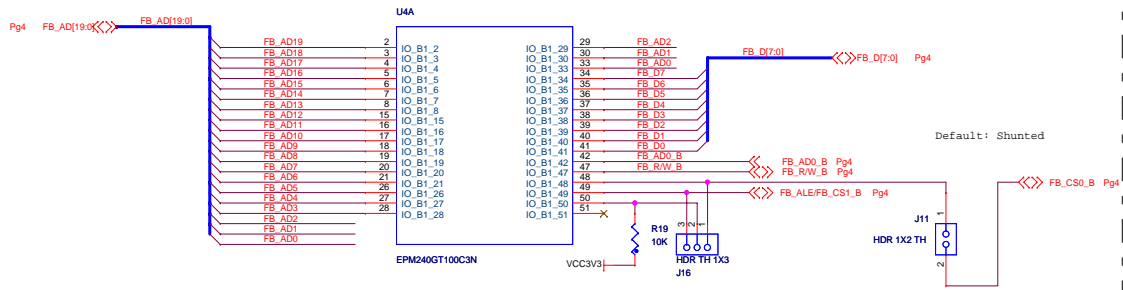
TWR-MEM

Page Title:

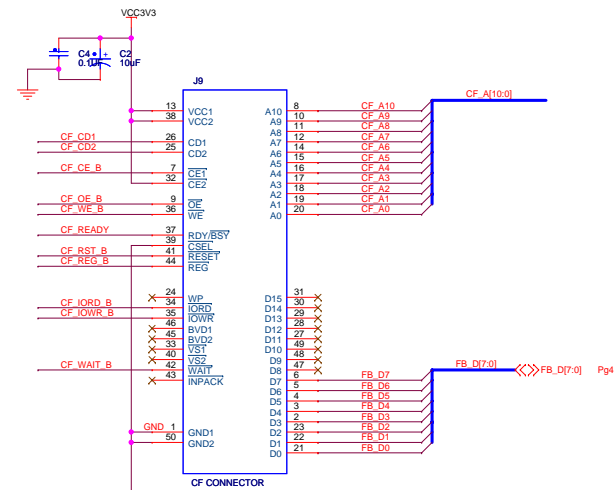
NOTES

Size C	Document Number SCH-26248 PDF: SPF-26248	Rev B1
-----------	---	-----------

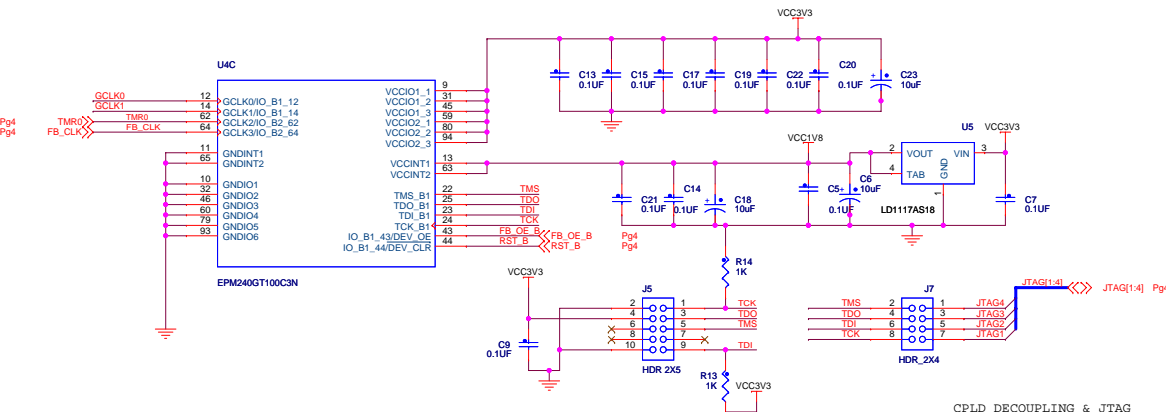
Date: Friday, January 29, 2010 Sheet 2 of 5



CPLD CONNECTIONS



CPLD HEADER



CPLD DECOUPLING & JTAG



OPTIONAL WIRE WRAP HEADERS



ICAP Classification: FCP: FIUC: X PUBL:

Drawing Title:

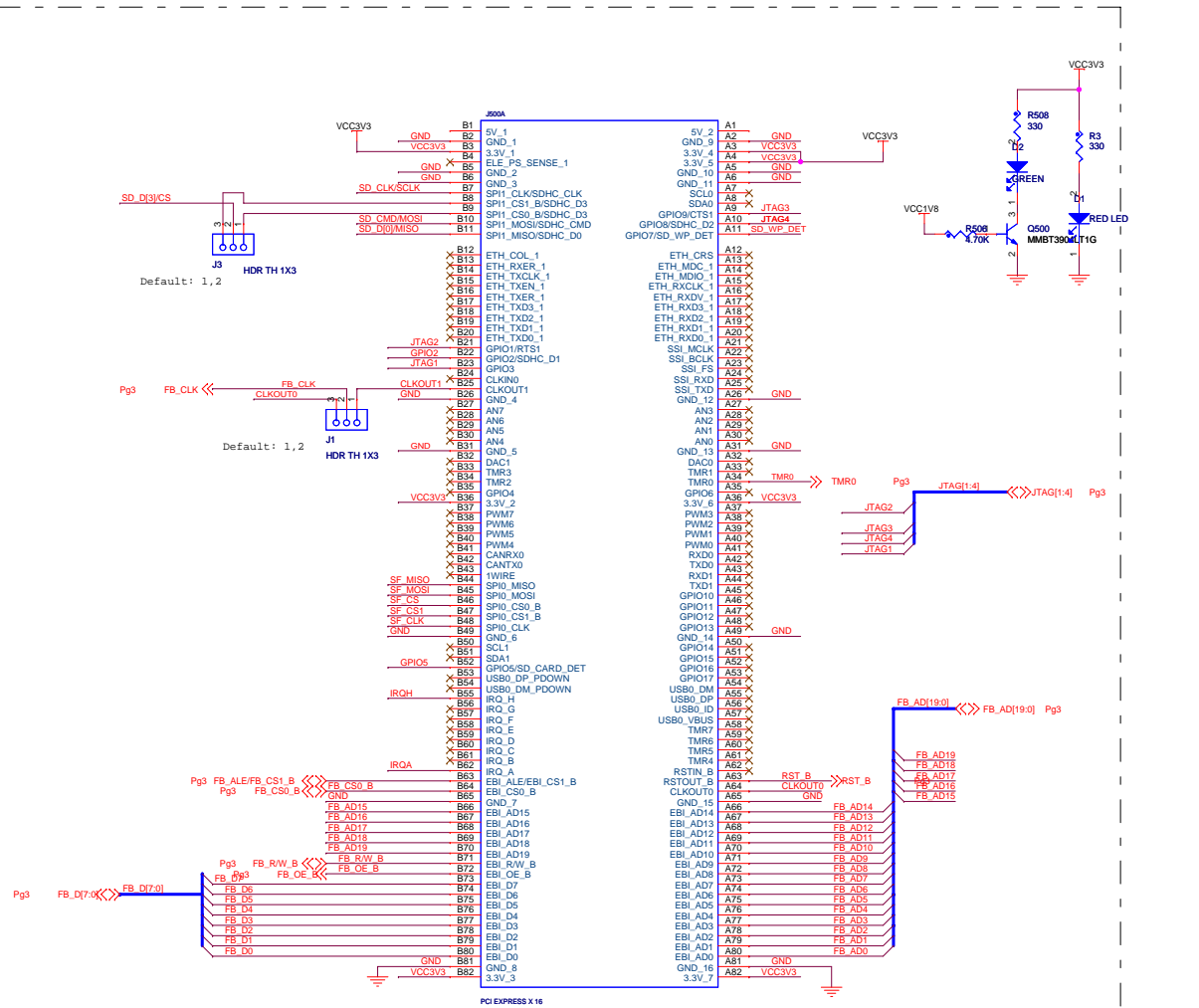
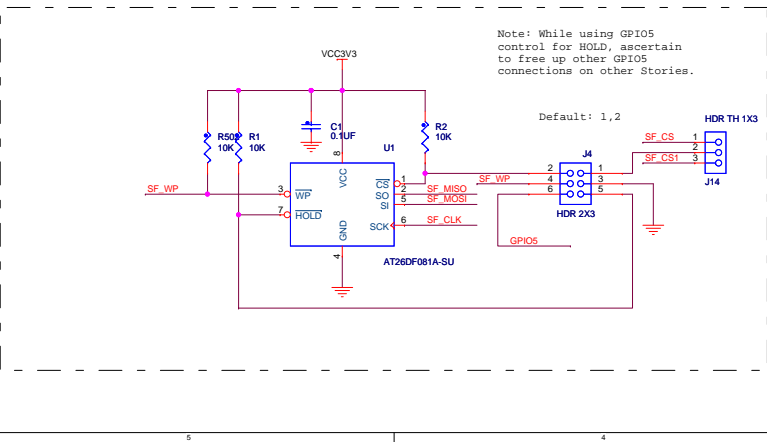
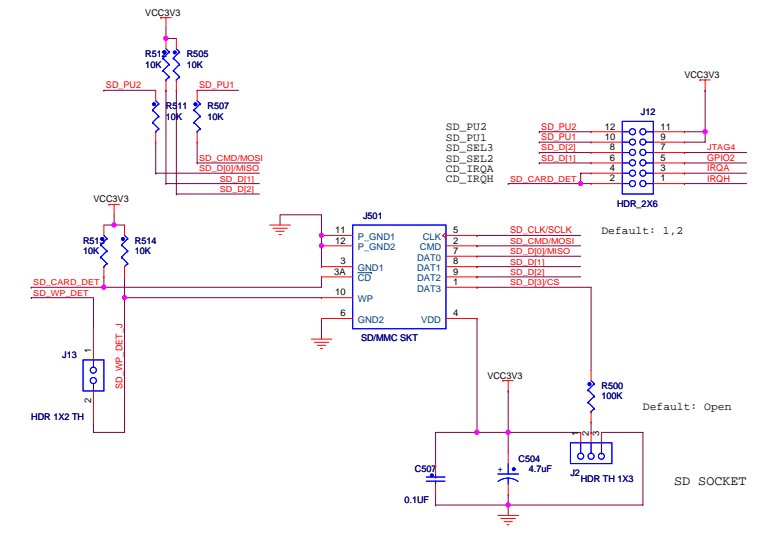
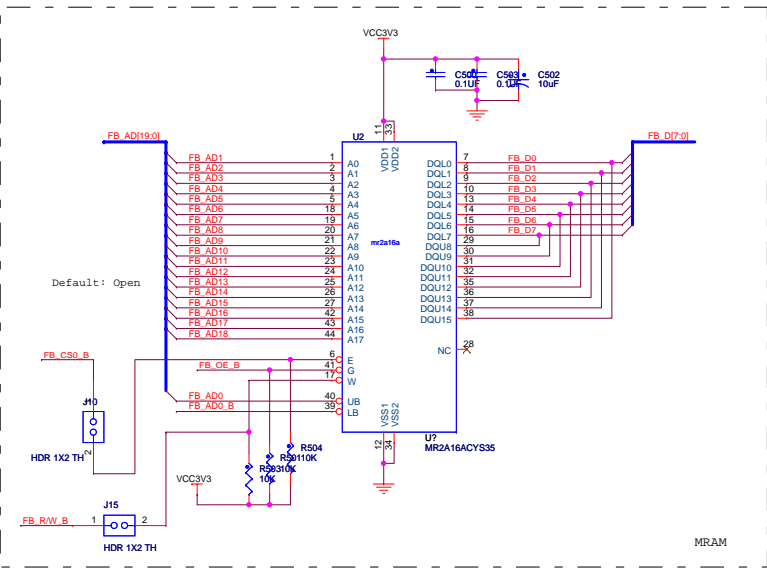
TWR-MEM

Page Title:

CF & CPLD

Size Document Number SCH-26248 PDF: SPF-26248 Rev B1

Date: Friday, January 29, 2010 Sheet 3 of 5



PRIMARY PORT CONNECTIONS



ICAP Classification:		FCP:	FIUC: X	PUBI:
Drawing Title:		TWR-MEM		
Page Title:		MRAM, SD & SFLASH		
Size	Document Number	SCH-26248 PDF: SPF-26248		Rev
C				B1
Date: Friday, January 29, 2010 Sheet 4 of 5				

J5008			
GND	D1	5V_3	C1
	D2	GND_17	C2
	D3	3.3V_8	C3
GND	D4	ELF_PS_SENSE_2	C4
	D5	GND_18	C5
GND	D6	GND_18	C6
	D7	GND_19	C7
X	D8	SPI2_CLK	C8
X	D9	SPI2_CS1_B	C9
X	D10	SPI2_CS3_B	C10
X	D11	SPI2_MOSI	C11
X	D12	SPI2_MISO	C12
X	D13	ETH_COL_2	C13
X	D14	ETH_RXER_2	C14
X	D15	ETH_TXCLK_2	C15
X	D16	ETH_TXEN_2	C16
X	D17	GPIO18	C17
X	D18	GPIO19/SDHC_D4	C18
X	D19	GPIO20/SDHC_D5	C19
X	D20	ETH_TXD1_2	C20
X	D21	ETH_TXD0_2	C21
X	D22	ULPI_NEXT/USB1_DM	C22
X	D23	ULPI_DIR/USB1_DP	C23
X	D24	ULPI_DATA6/USB2_DM	C24
X	D25	ULPI_DATA6/USB2_DP	C25
GND	D26	ULPI_DATA7	C26
X	D27	GND_20	C27
X	D28	LCD_HSYNC/LCD_P24	C28
X	D29	LCD_VSYNC/LCD_P25	C29
X	D30	AN13	C30
GND	D31	AN12	C31
X	D32	LCD_CLK/LCD_P26	C32
X	D33	TMR11	C33
X	D34	TMR10	C34
X	D35	GPIO21	C35
X	D36	3.3V_9	C36
X	D37	PWM15	C37
X	D38	PWM14	C38
X	D39	PWM13	C39
X	D40	PWM12	C40
X	D41	CANRX1	C41
X	D42	CANTX1	C42
X	D43	GPIO22	C43
X	D44	LCD_DE/LCD_P27	C44
X	D45	LCD_D0/LCD_P0	C45
X	D46	LCD_D1/LCD_P1	C46
X	D47	LCD_D2/LCD_P2	C47
X	D48	LCD_D3/LCD_P3	C48
GND	D49	GND_22	C49
X	D50	GPIO23	C50
X	D51	GPIO24	C51
X	D52	LCD_D4/LCD_P4	C52
X	D53	LCD_D5/LCD_P5	C53
X	D54	LCD_D6/LCD_P6	C54
X	D55	LCD_D7/LCD_P7	C55
X	D56	LCD_D8/LCD_P8	C56
X	D57	LCD_D9/LCD_P9	C57
X	D58	LCD_D10/LCD_P10	C58
X	D59	LCD_D11/LCD_P11	C59
X	D60	IRQ_M	C60
X	D61	IRQ_L	C61
X	D62	IRQ_K	C62
X	D63	IRQ_J	C63
X	D64	LCD_D15/LCD_P15	C64
GND	D65	LCD_D16/LCD_P16	C65
X	D66	LCD_D17/LCD_P17	C66
X	D67	GND_23	C67
X	D68	EBI_AD20/LCD_P42	C68
X	D69	EBI_AD21/LCD_P43	C69
X	D70	EBI_AD22/LCD_P44	C70
X	D71	EBI_AD23/LCD_P45	C71
X	D72	EBI_AD24/LCD_P46	C72
X	D73	EBI_AD25/LCD_P47	C73
X	D74	EBI_AD26/LCD_P48	C74
X	D75	EBI_AD27/LCD_P49	C75
X	D76	EBI_AD28/LCD_P50	C76
X	D77	EBI_AD29/LCD_P51	C77
X	D78	EBI_AD30/LCD_P52	C78
X	D79	EBI_AD31/LCD_P53	C79
X	D80	LCD_D20/LCD_P20	C80
X	D81	LCD_D21/LCD_P21	C81
GND	D82	LCD_D22/LCD_P22	C82
X	D83	GND_24	C83
X	D84	3.3V_10	C84



PCI EXPRESS X 16
SECONDARY PORT

freescale
semiconductor

ICAP Classification: FCP: _____ FUC: X PUC: _____
Drawing Title: _____

TWR-MEM

Page Title: _____

OPTIONAL PORT

Size	Document Number	Rev
C	SCH-26248 PDF: SPF-26248	B1

Date: Friday, January 29, 2010 Sheet 5 of 5