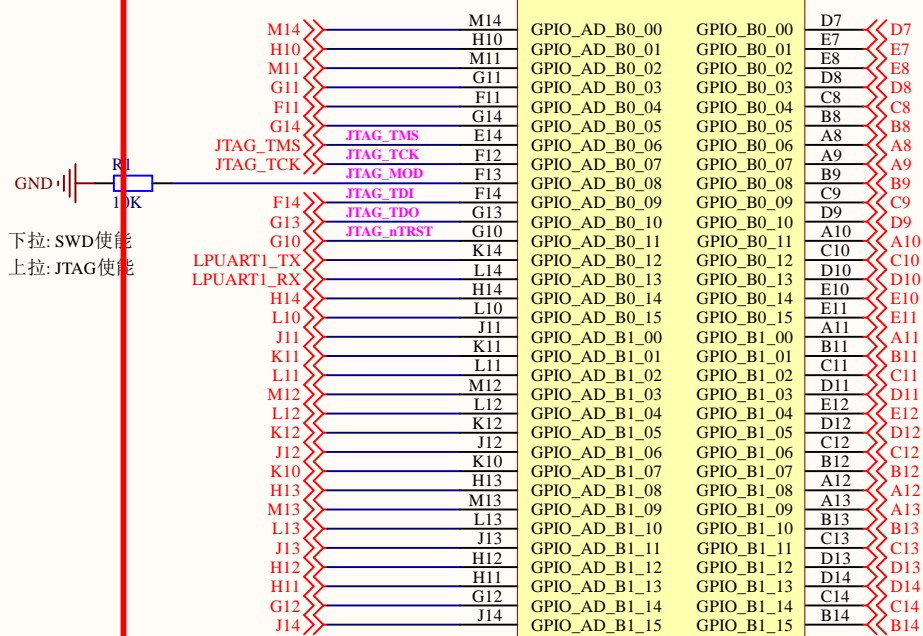
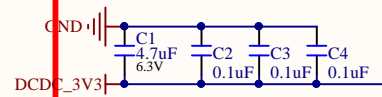
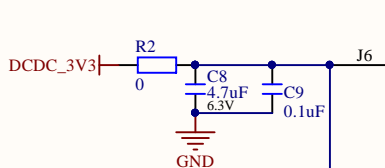


MIMXRT1064DVL6A

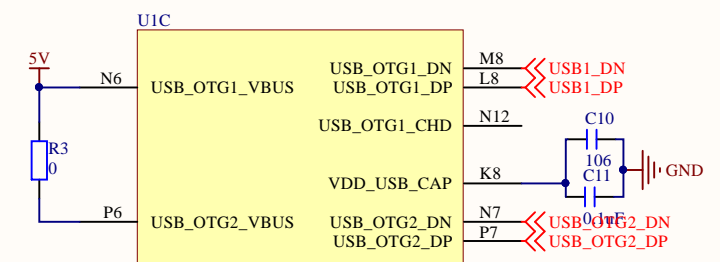


MIMXRT1064DVL6A

下拉: SWD使能  
上拉: JTAG使能

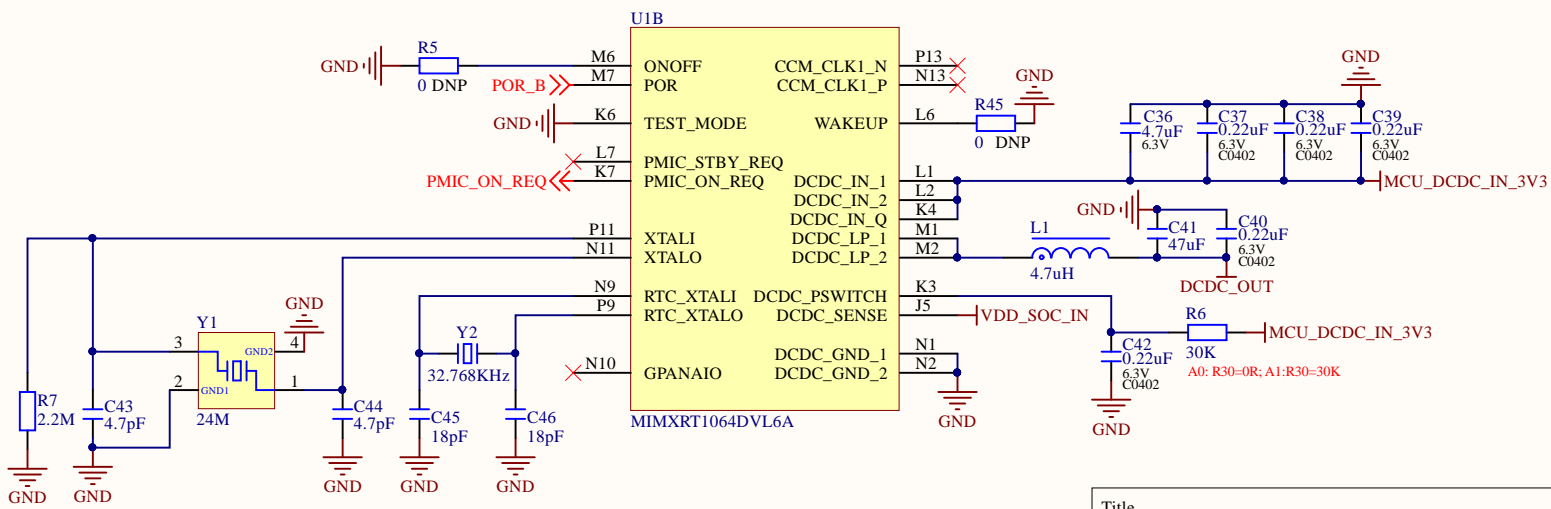
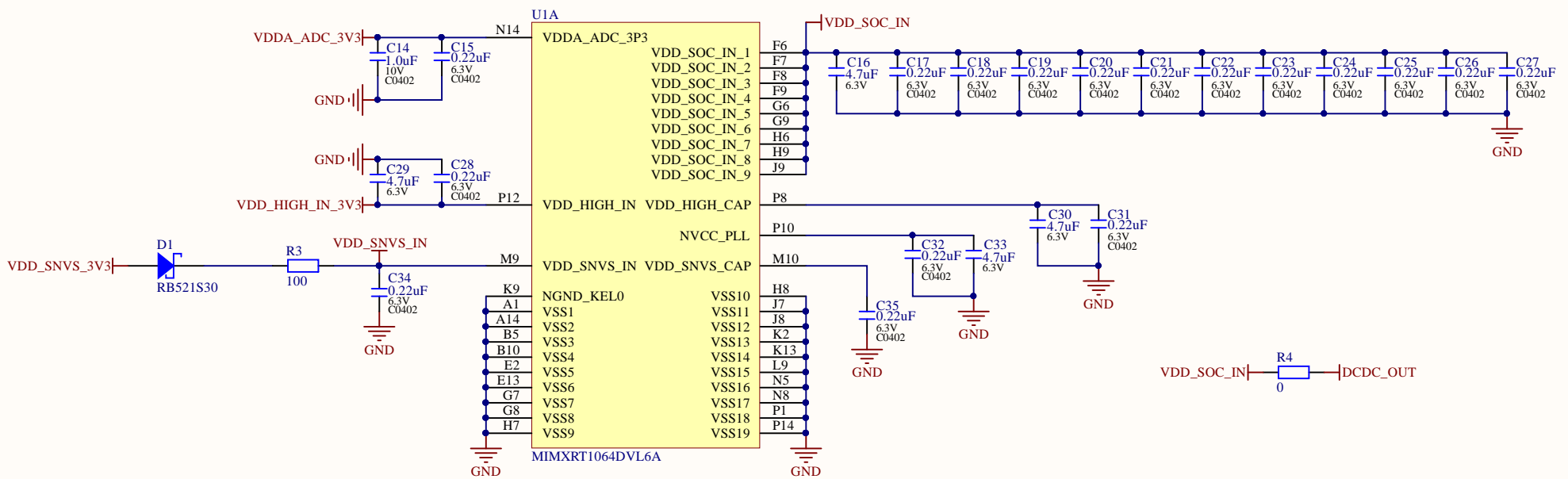



MIMXRT1064DVL6A

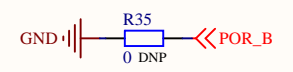
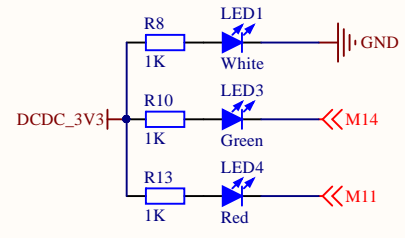
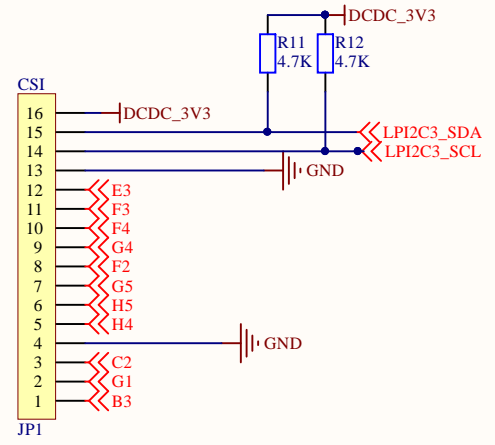


MIMXRT1064DVL6A

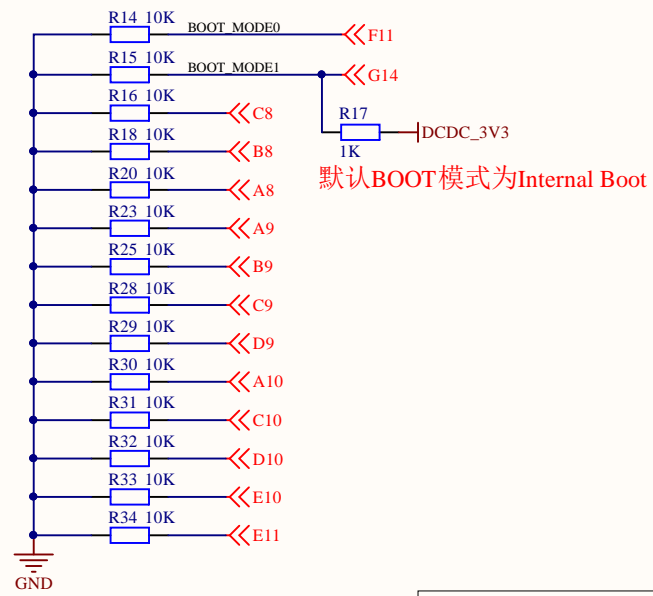
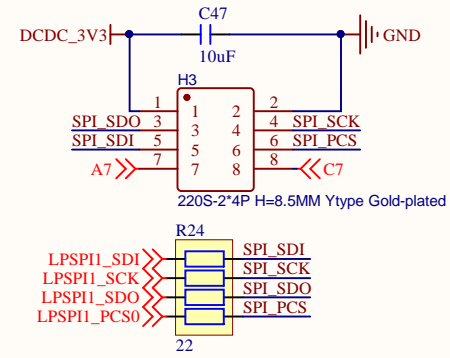
Title			Altium Limited L3, 12a Rodborough Rd Frenchs Forest NSW Australia 2086	
Size: A4	Number:	Revision:		
Date: 2020/4/30	Time: 17:22:38	Sheet of		
File: G:\RT10XX\A_RT1064最小系统_V1.2\A_RT1064最小系统_V1.1\GPIO.SchDoc				



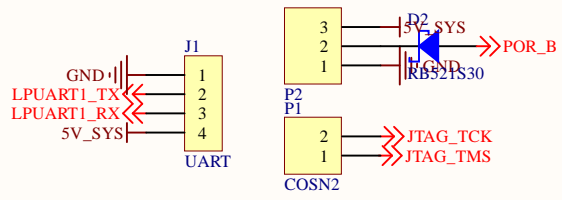
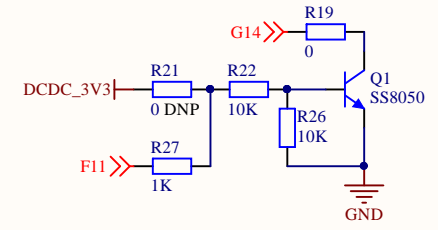
Title			Altium Limited L3, 12a Rodborough Rd Frenchs Forest NSW Australia 2086
Size: A4	Number:	Revision:	
Date: 2020/4/30	Time: 17:22:39	Sheet of	
File: G:\RT10XX\A_RT1064最小系统_V1.2\A_RT1064最小系统_V1.1\MCU电源.SchDoc			



复位按键

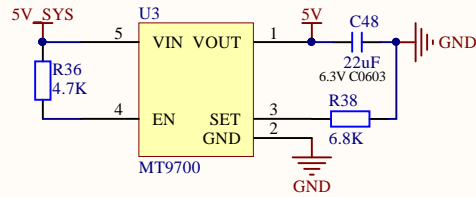


默认BOOT模式为Internal Boot

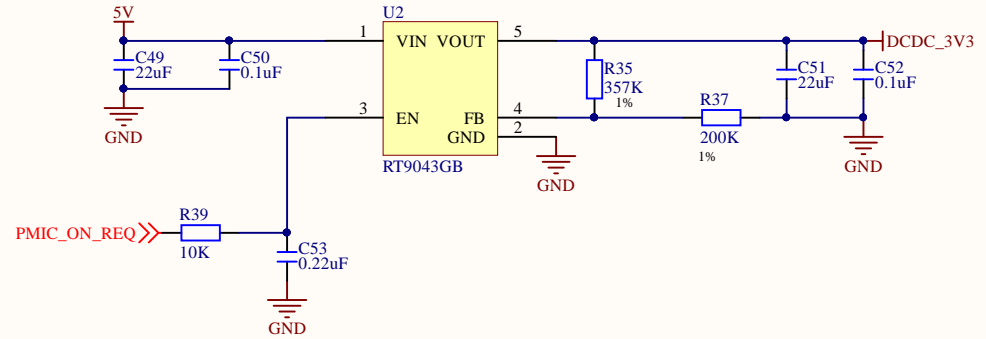


Title			Altium Limited L3, 12a Rodborough Rd Frenchs Forest NSW	
Size: A4	Number:	Revision:	Australia 2086	
Date: 2020/4/30	Time: 17:22:39	Sheet of		
File: G:\RT10XX\A_RT1064最小系统_V1.2\A_RT1064最小系统_V1.1连接端口.SchDoc				

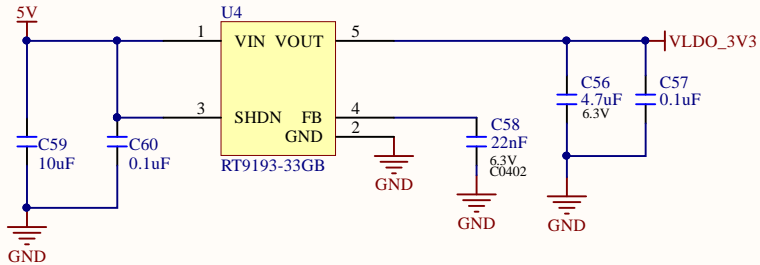
# 5V过流保护



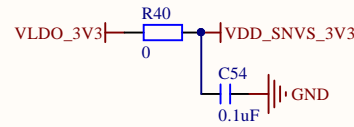
# 3.3V稳压



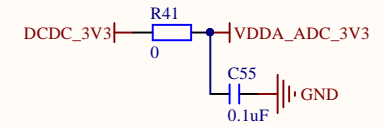
# 3V3 LDO for SNVS



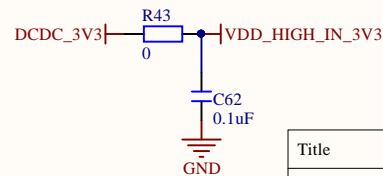
# SNVS



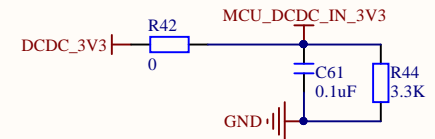
# ADC



# VDD\_HIGH\_IN



# DCDC\_IN



Title			Altium Limited L3, 12a Rodborough Rd Frenchs Forest NSW Australia 2086	
Size: A4	Number:	Revision:		
Date: 2020/4/30	Time: 17:22:39	Sheet of		
File: G:\RT10XX\A_RT1064最小系统_V1.2\A_RT1064最小系统_V1.1\主电源.SchDoc				

