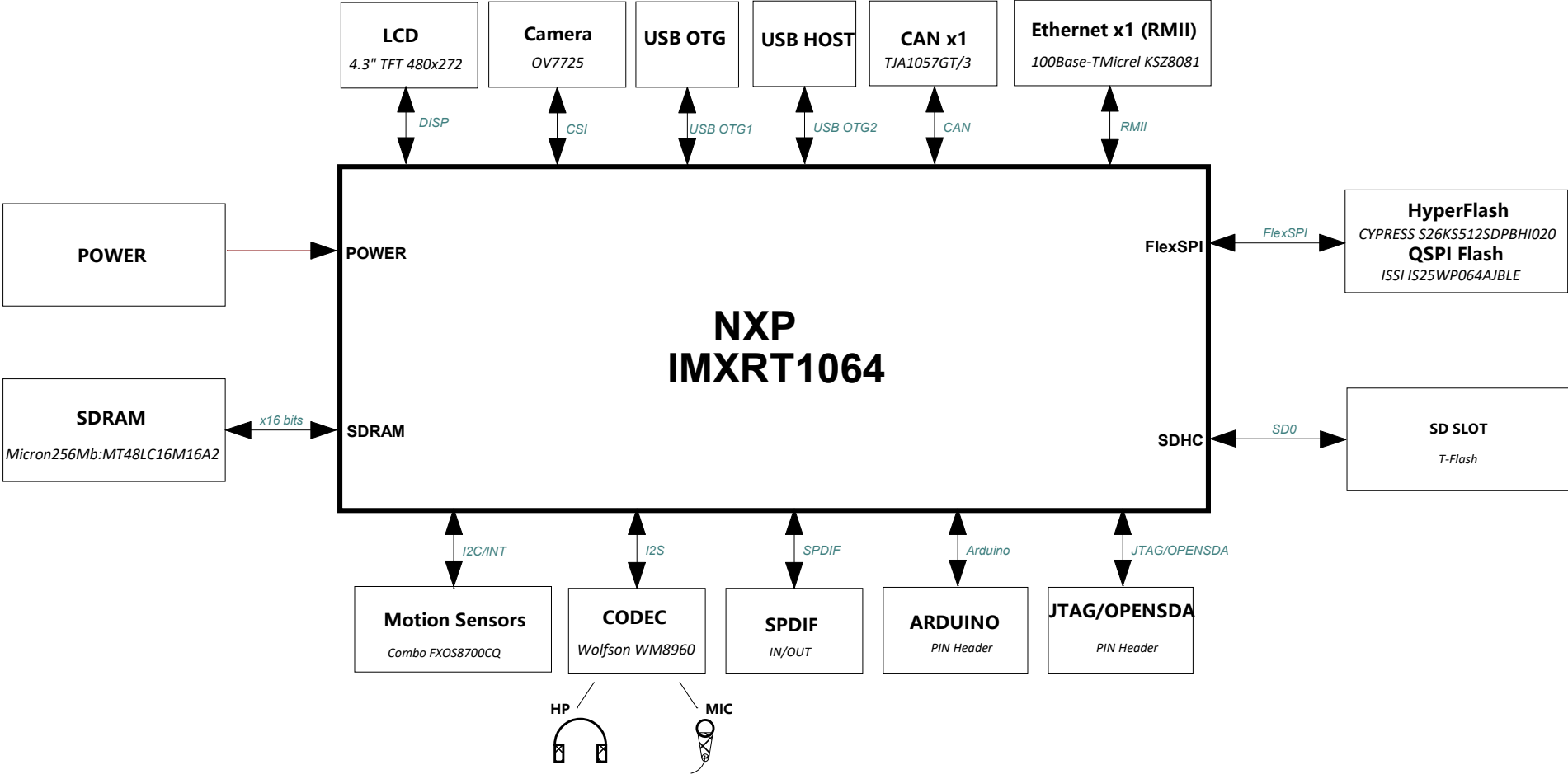
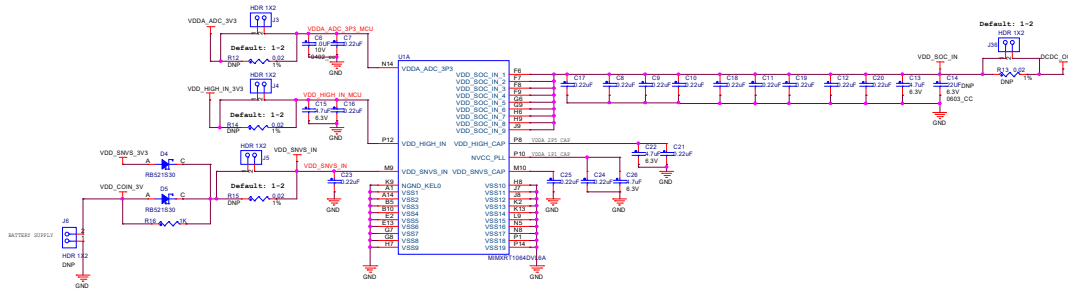
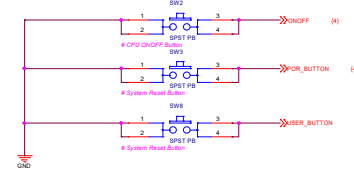


MIMXRT1064-EVK

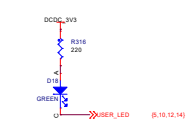




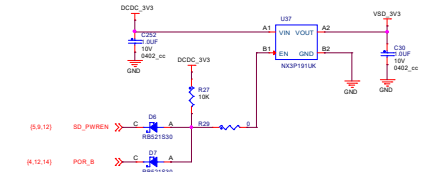
BUTTON



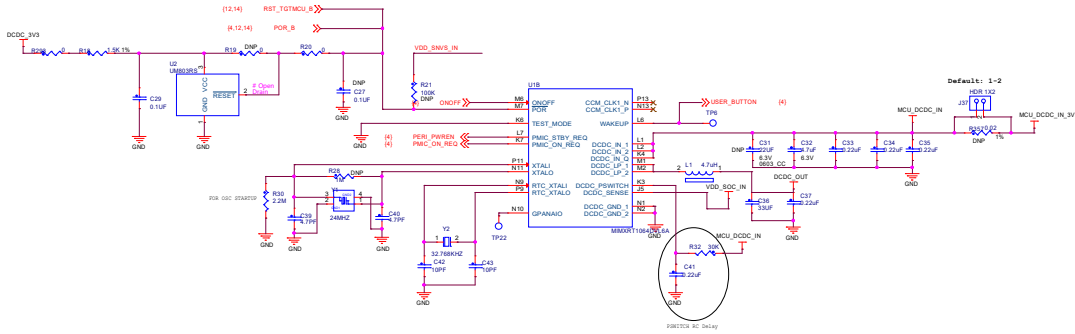
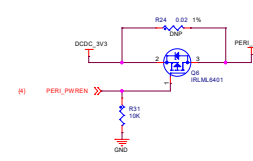
USER LED



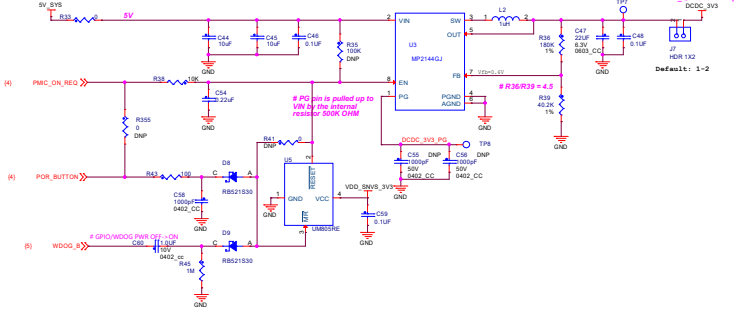
SD CARD POWER SWITCH



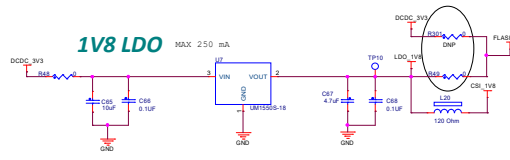
LCD 3V3 POWER SWITCH



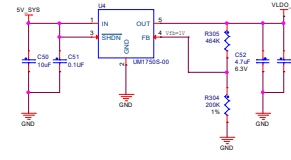
VDDHIGH / NVCC_3V3



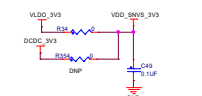
FLASH VCC



3V3 LDO for SNVS



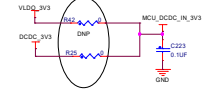
SNVS



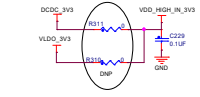
ADC



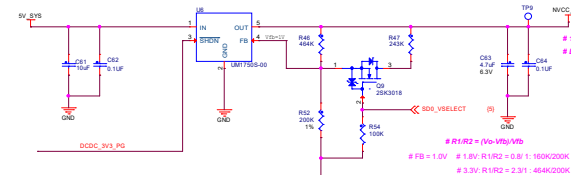
DCDC_IN



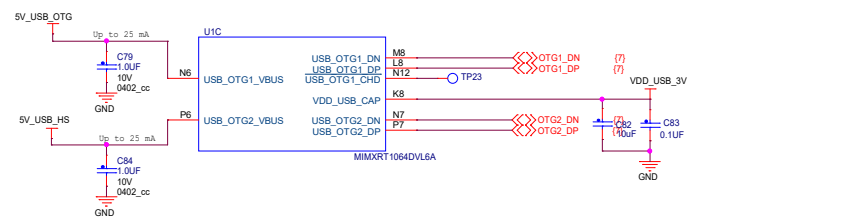
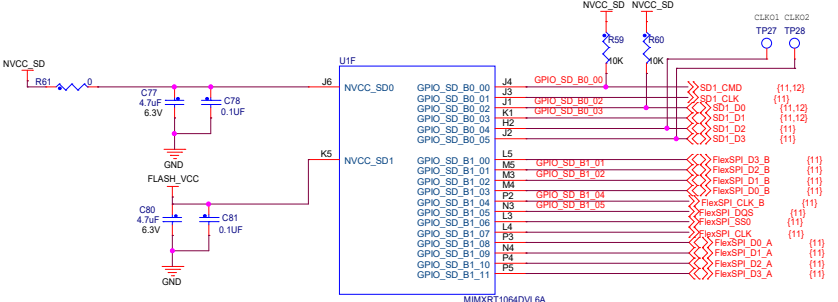
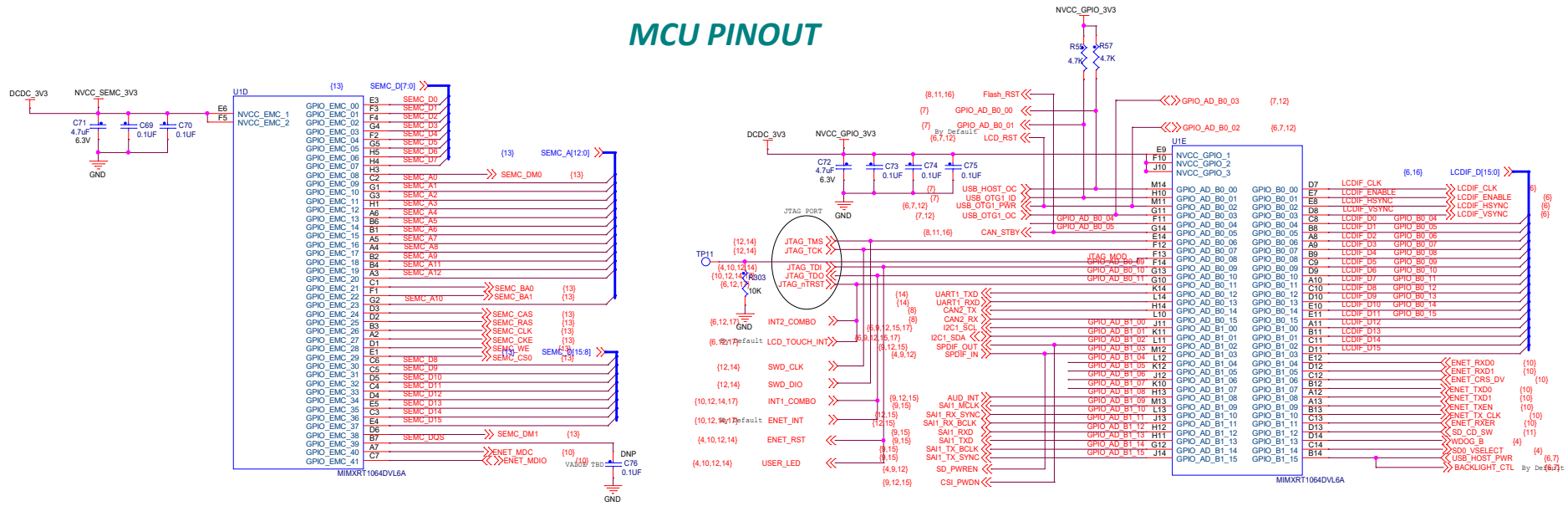
VDD_HIGH_IN



NVCC_SD <SD3.0>



MCU PINOUT



GPIO_AD_B0_09	GPIO_AD_B0_09	(4,10,12,14)
GPIO_AD_B0_11	GPIO_AD_B0_11	(10,12,14,17)
GPIO_SD_B0_00	GPIO_SD_B0_00	(11,12)
GPIO_SD_B0_02	GPIO_SD_B0_02	(11,12)
GPIO_SD_B0_03	GPIO_SD_B0_03	(11,12)
GPIO_SD_B1_01	GPIO_SD_B1_01	(11)
GPIO_SD_B1_02	GPIO_SD_B1_02	(11)
GPIO_SD_B1_04	GPIO_SD_B1_04	(11)
GPIO_SD_B1_05	GPIO_SD_B1_05	(11)
GPIO_SD_B1_06	GPIO_SD_B1_06	(11)
GPIO_SD_B1_08	GPIO_SD_B1_08	(11)
GPIO_SD_B1_09	GPIO_SD_B1_09	(11)
GPIO_SD_B1_10	GPIO_SD_B1_10	(11)
GPIO_SD_B1_11	GPIO_SD_B1_11	(11)

GPIO_B0_04	GPIO_B0_04	(6,16)
GPIO_B0_05	GPIO_B0_05	(6,16)
GPIO_B0_06	GPIO_B0_06	(6,16)
GPIO_B0_07	GPIO_B0_07	(6,16)
GPIO_B0_08	GPIO_B0_08	(6,16)
GPIO_B0_09	GPIO_B0_09	(6,16)
GPIO_B0_10	GPIO_B0_10	(6,16)
GPIO_B0_11	GPIO_B0_11	(6,16)
GPIO_B0_12	GPIO_B0_12	(6,16)
GPIO_B0_13	GPIO_B0_13	(6,16)
GPIO_B0_14	GPIO_B0_14	(6,16)
GPIO_B0_15	GPIO_B0_15	(6,16)

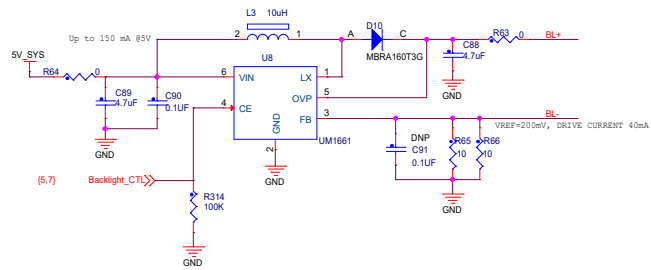
GPIO_AD_B0_04	GPIO_AD_B0_04	(16)
GPIO_AD_B0_05	GPIO_AD_B0_05	(8,11,16)

GPIO_AD_B1_00	GPIO_AD_B1_00	(6,9,12,15,17)
GPIO_AD_B1_01	GPIO_AD_B1_01	(9,12,15,17)
GPIO_AD_B1_02	GPIO_AD_B1_02	(9,12,15)
GPIO_AD_B1_03	GPIO_AD_B1_03	(4,9,12)
GPIO_AD_B1_04	GPIO_AD_B1_04	(12,15)
GPIO_AD_B1_05	GPIO_AD_B1_05	(12,15)
GPIO_AD_B1_06	GPIO_AD_B1_06	(12,15)
GPIO_AD_B1_07	GPIO_AD_B1_07	(12,15)
GPIO_AD_B1_08	GPIO_AD_B1_08	(9,12,15)
GPIO_AD_B1_09	GPIO_AD_B1_09	(12,15)
GPIO_AD_B1_10	GPIO_AD_B1_10	(12,15)
GPIO_AD_B1_11	GPIO_AD_B1_11	(12,15)
GPIO_AD_B1_12	GPIO_AD_B1_12	(9,15)
GPIO_AD_B1_13	GPIO_AD_B1_13	(9,15)
GPIO_AD_B1_14	GPIO_AD_B1_14	(9,15)
GPIO_AD_B1_15	GPIO_AD_B1_15	(9,15)

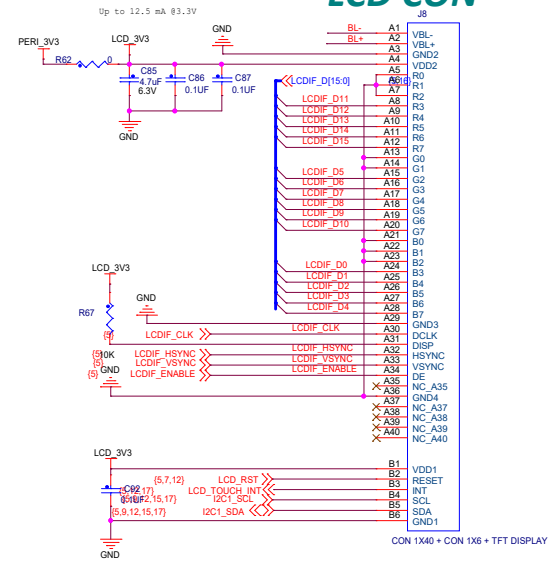
ICAP Classification: CP IUC X PUBI
 Drawing Title: **MIMXRT1064-EVK**
 Page Title: **MIMXRT1064DVL6A**

Size C	Document Number SCH-32221, PDF-SPF-32221	Rev A
Date: Wednesday, July 11, 2018	Sheet 5 of 17	

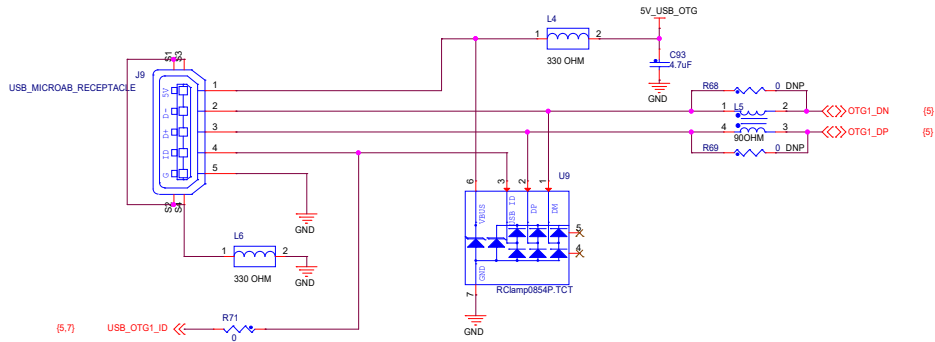
Backlight Control



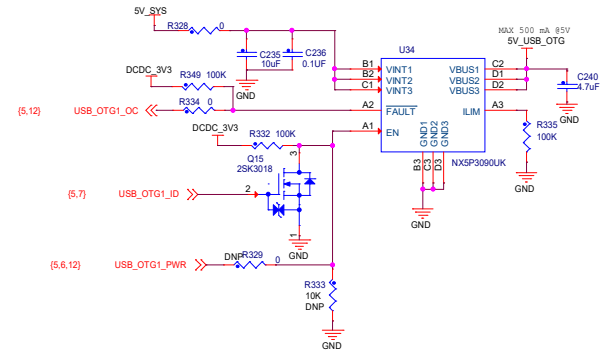
LCD CON



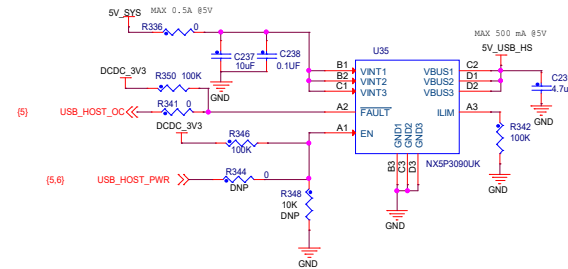
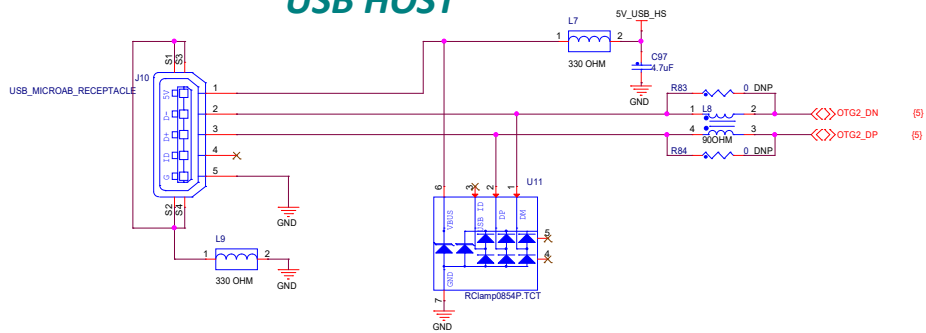
USB OTG



USB POWER



USB HOST



ICAP Classification: CP: IUC: X PUBL:

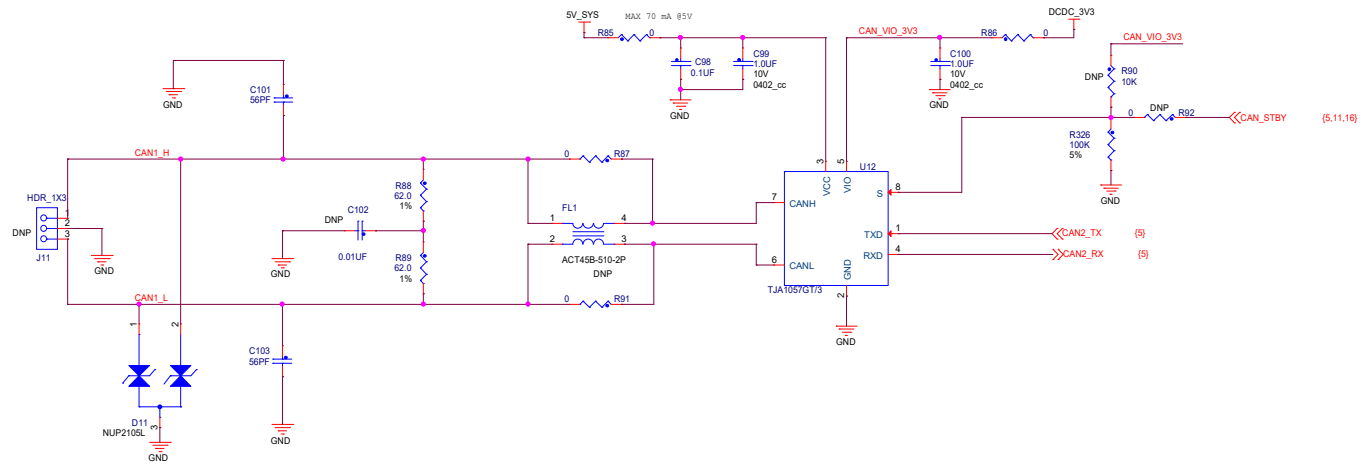
Drawing Title: **MIMXRT1064-EVK**

Page Title: **USB**

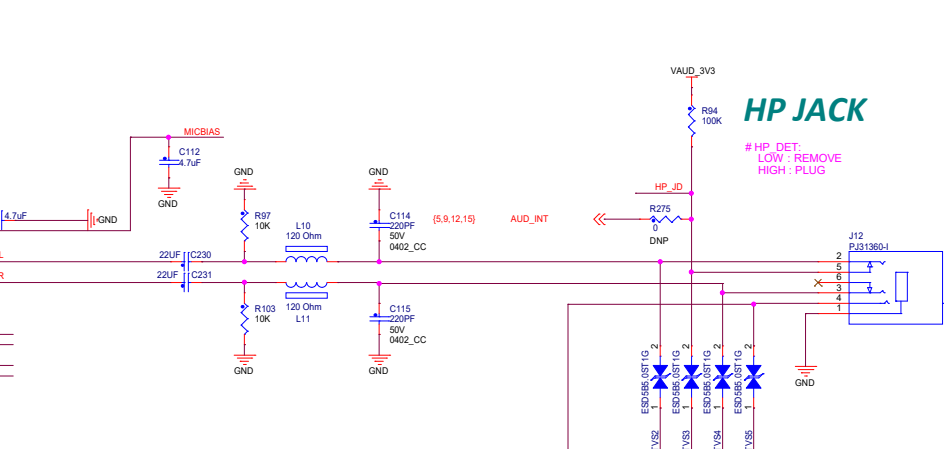
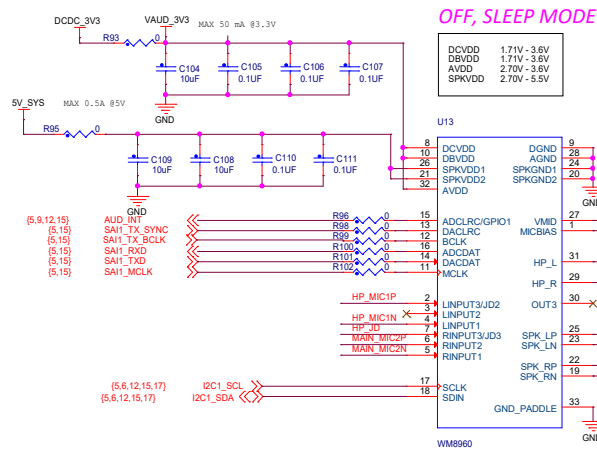
Size C Document Number SCH-32221, PDF: SPF-32221 Rev A

Date: Wednesday, July 11, 2018 Sheet 7 of 17

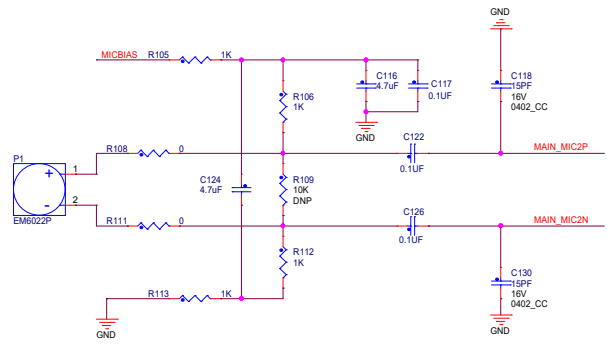
CAN BUS



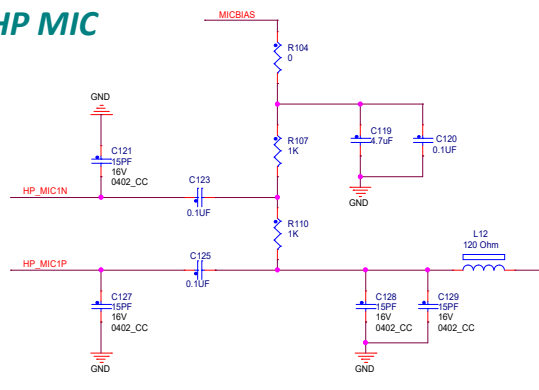
ICAP Classification: CP: IUC: X PUB:	
Drawing Title: MIMXRT1064-EVK	
Page Title: CAN	
Size C	Document Number SCH-32221, PDF: SPF-32221
Date: Wednesday, July 11, 2018	Sheet 8 of 17



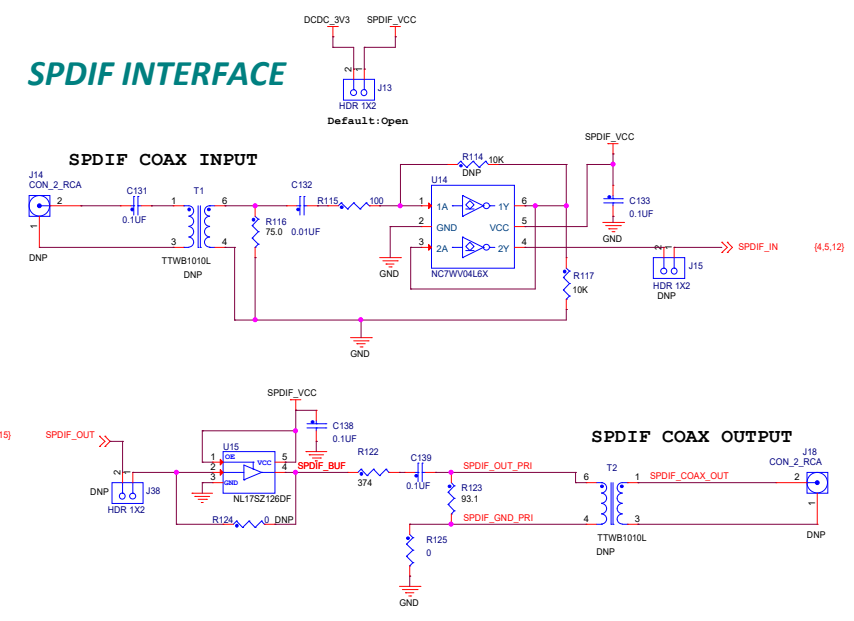
Main Board MIC



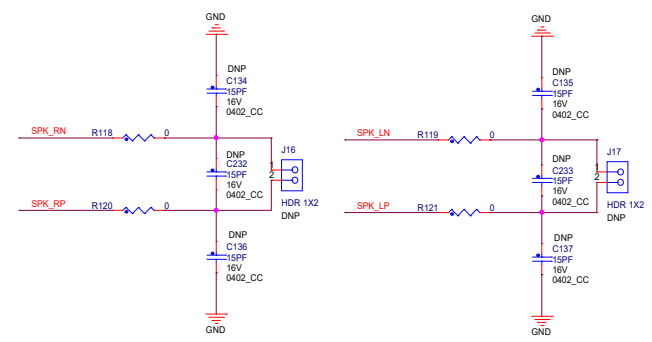
HP MIC



SPDIF INTERFACE



Speaker

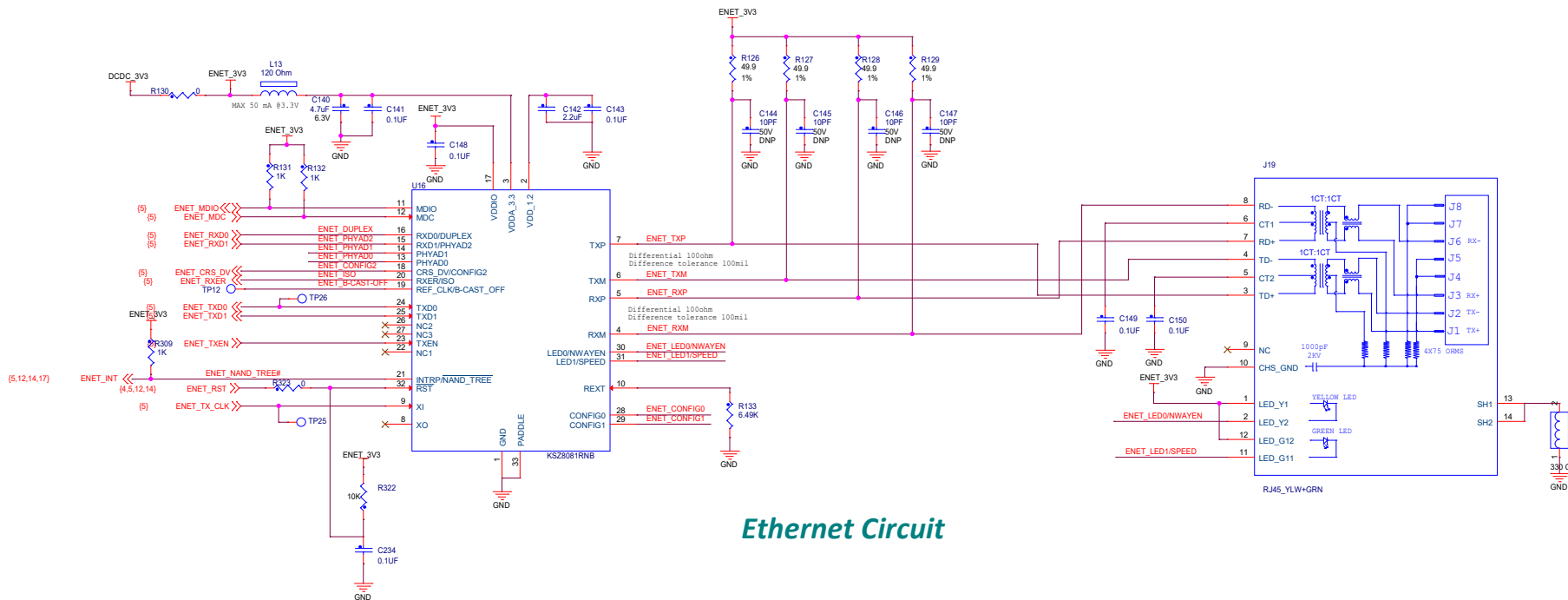


ICAP Classification: CP, IUC, X, PUBI

Drawing Title: **MIMXRT1064-EVK**

Page Title: **AUDIO**

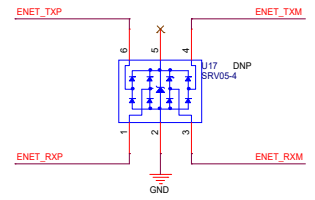
Size C	Document Number SCH-32221, PDF-SPF-32221	Rev A
Date: Wednesday, July 11, 2018	Sheet 9 of 17	

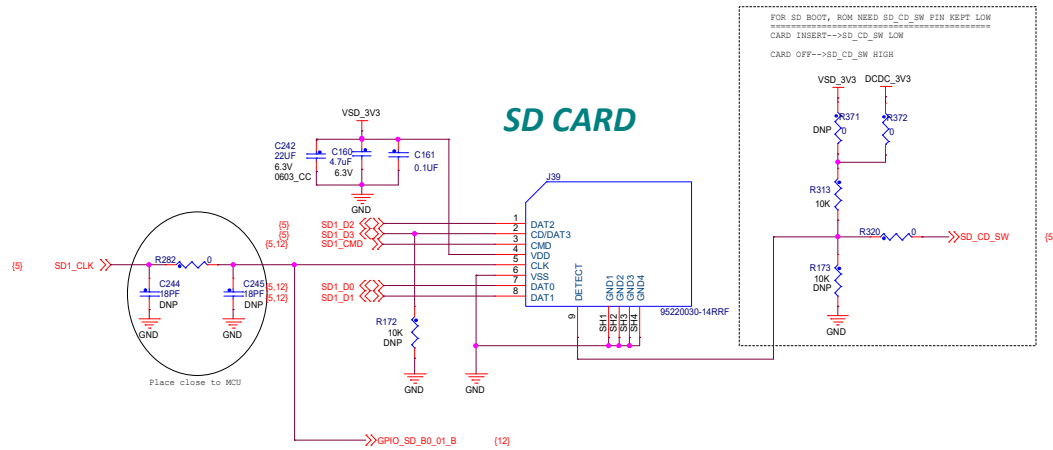


Ethernet Circuit

# CFG	Description	# CFG	Description
PHYAD[2:0]	PHY ADDR 00-XXX (00010 DEFAULT)	DUPLEX	DUPLEX mode Pull-up (default) = Half Duplex Pull-down = Full Duplex
CONFIG[2:0]	IF MODE 001 RMII 101 RMII Back-to-Back xxx Reserved-not used	NWAYEN	Nway Auto-Negotiation Pull-up (default) = Enable Pull-down = Disable
ISO	ISOLATE mode Pull-up = Enable Pull-down (default) = Disable	B_CAST_OFF	Broadcast Off - for PHY Address 0 Pull-up = PHY Address 0 set as unique PHY addr Pull-down (default) = PHY Address 0 set as broadcast PHY addr
SPEED	SPEED mode Pull-up (default) = 100Mbps Pull-down = 10Mbps	NAND_TREE#	NAND Tree Mode Pull-up (default) = Disable Pull-down = Enable

ESD PROTECTION

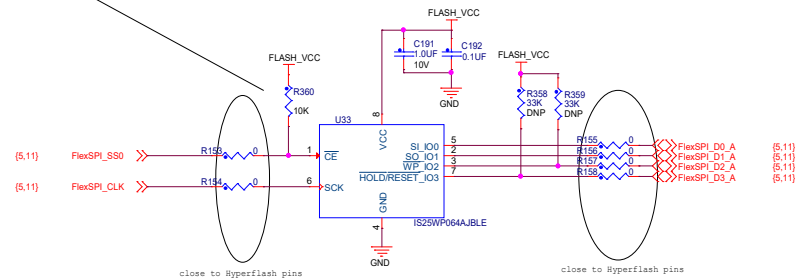
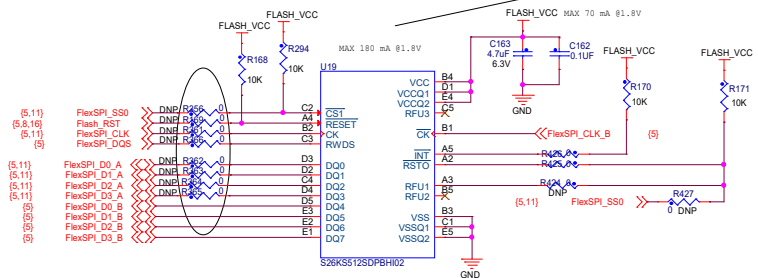




1V8 HyperFlash

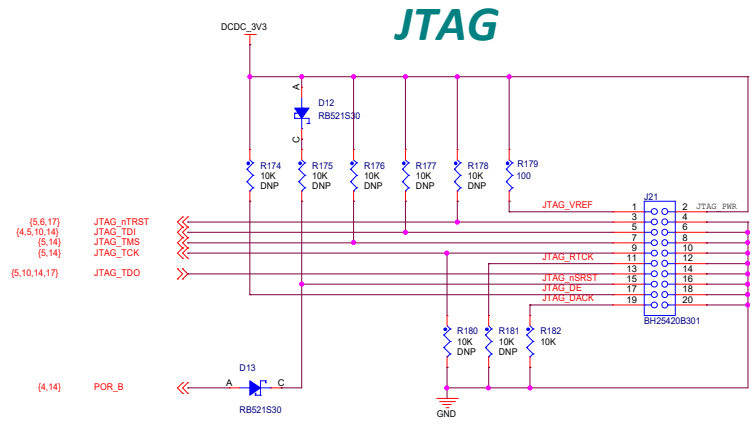
OPTION1: USE Hyperflash(DNP R153-R158, Mount R356,R361-R366)
 OPTION2: USE QSPI FLASH(Mount R153-R158, DNP R356,R361-R366)

1V8 QSPI Flash

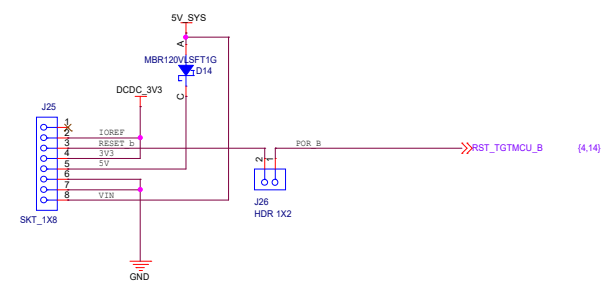
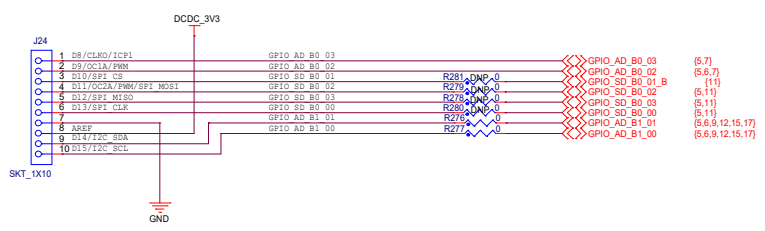
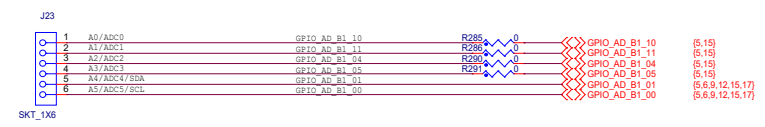



Share the same package with S27KS064IDPBHI023
 (if HYPERRAM is replaced, then DNP R425,R426,Mount R424,R427)





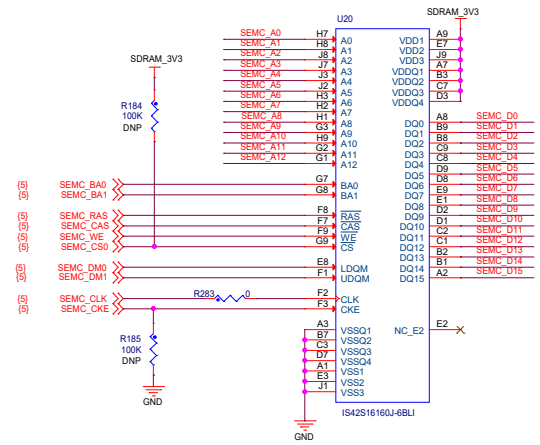
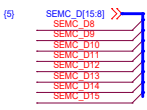
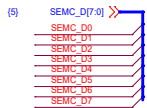
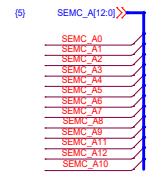
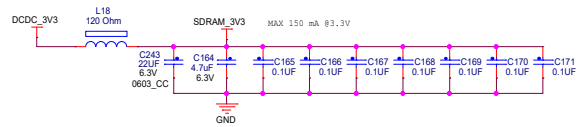
Arduino Interface





ICAP Classification: CP: IUC: X PUB:	
Drawing Title: MIMXRT1064-EVK	
Page Title: DEBUG/JTAG	
Size C	Document Number SCH-32221, PDF: SPF-32221
Date: Wednesday, July 11, 2018	Sheet 12 of 17

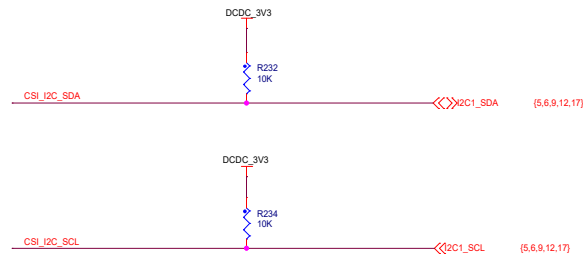
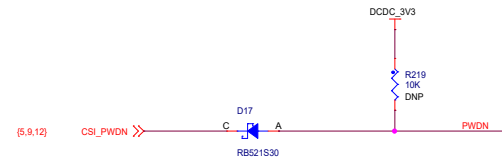
SDRAM



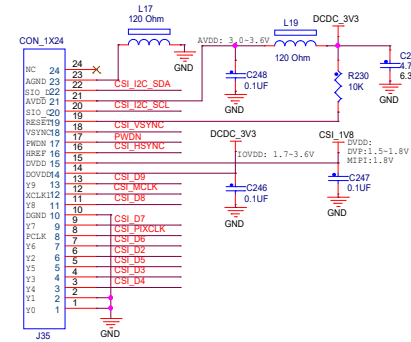
ICAP Classification: CP: _____ IUC: X PUB: _____	
Drawing Title: MIMXRT1064-EVK	
Page Title: SDRAM	
Size C	Document Number SCH-32221, PDF: SPF-32221
Date: Wednesday, July 11, 2018	Sheet 13 of 17

Camera Signals

CSI_PIXCLK	R217	0	GPIO_AD_B1_04	(5,12)
CSI_MCLK	R218	0	GPIO_AD_B1_06	(5,12)
CSI_VSYNC	R220	0	GPIO_AD_B1_06	(5,12)
CSI_PSYNC	R221	0	GPIO_AD_B1_07	(5,12)
CSI_D9	R222	0	GPIO_AD_B1_08	(5,9,12)
CSI_D8	R223	0	GPIO_AD_B1_08	(5,9)
CSI_D7	R224	0	GPIO_AD_B1_10	(5,12)
CSI_D6	R225	0	GPIO_AD_B1_11	(5,12)
CSI_D5	R226	0	GPIO_AD_B1_12	(5,9)
CSI_D4	R227	0	GPIO_AD_B1_13	(5,9)
CSI_D3	R228	0	GPIO_AD_B1_14	(5,9)
CSI_D2	R229	0	GPIO_AD_B1_15	(5,9)

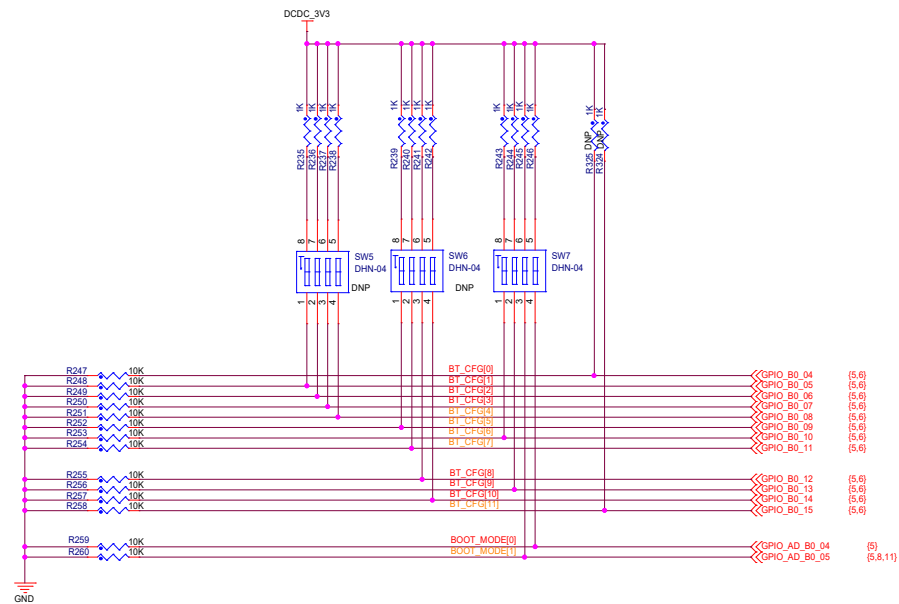



FPC FOR MT9M114/OV7725 MODULE



FUSE MAP

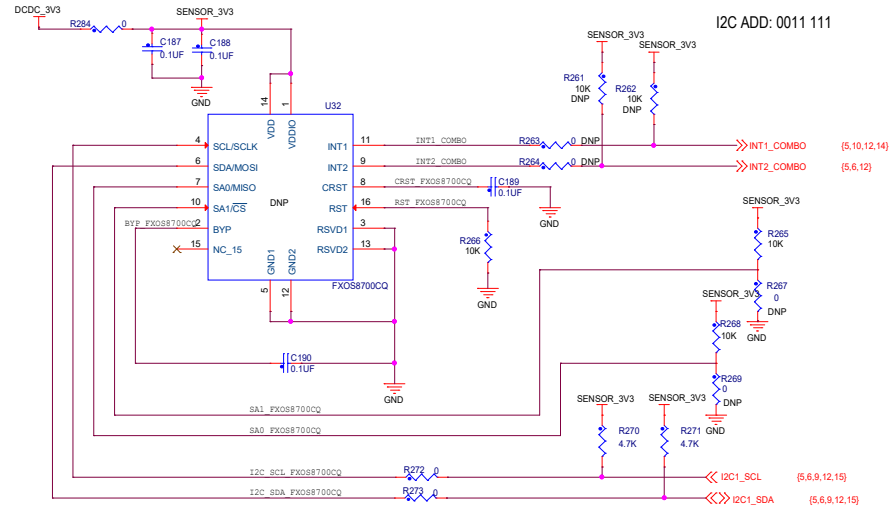
TYPE	0/1	0/1	0/1	0/1	0/1	0/1	0/1	0/1	0/1	0/1	0/1	0/1
	BOOT_CFG[11]	BOOT_CFG[10]	BOOT_CFG[9]	BOOT_CFG[8]	BOOT_CFG[7]	BOOT_CFG[6]	BOOT_CFG[5]	BOOT_CFG[4]	BOOT_CFG[3]	BOOT_CFG[2]	BOOT_CFG[1]	BOOT_CFG[0]
FlexSPI - Serial NOR	<i>Infini-Loop: (Debug USE only) 0 - Disable 1 - Enable</i>	<i>FLASH_TYPE 000-Device supports 3B read by default 001-Device supports 4B read by default 010-HyperFlash 1V8 011-HyperFlash 3V3 100-MXIC Octal DDR</i>			0	0	0	0	<i>HOLD TIME: 00 - 500us 01 - 1ms 10 - 3ms 11 - 10ms</i>		<i>EncryptedXIP 0 - Disabled 1 - Enabled</i>	<i>Reserved</i>
SD	<i>Infini-Loop: (Debug USE only) 0 - Disable 1 - Enable</i>	<i>Reserved</i>	<i>Bus Width: 0 - 1-bit 1 - 4-bit</i>	<i>SD1 VOLTAGE SELECTION: 0 - 3.3V 1 - 1.8V</i>	0	1		<i>SD/SDXC Speed: 00 - Normal/SDR12 01 - High/SDR25 10 - SDR50 11 - SDR104</i>	<i>SD Power Cycle Enable: '0' - No power cycle '1' - Enabled via USDHC_RST pad</i>	<i>SD Loopback Clock Source Sel: (for SDR50 and SDR104 only) '0' - through SD '1' - direct</i>	<i>Port Select: 0 - eSDHC1 1 - eSDHC2</i>	<i>Fast Boot: 0 - Regular 1 - Fast Boot</i>



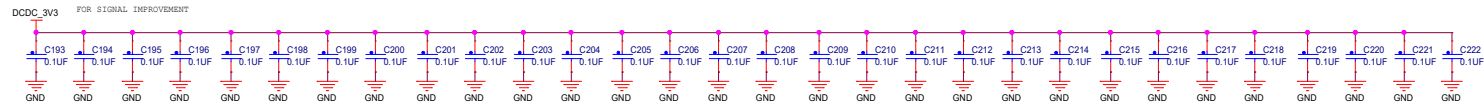


ICAP Classification: CP: _____ IUC: X PUB: _____	
Drawing Title: MIMXRT1064-EVK	
Page Title: BOOT	
Size C	Document Number SCH-32221, PDF: SPF-32221
Date: Friday, July 13, 2018	Sheet 16 of 17

COMBO SENSOR



FXOS8700CQ COMBO SENSOR



ICAP Classification: CP: IUC: X PUB:	
Drawing Title: MIMXRT1064-EVK	
Page Title: MISC	
Size C	Document Number SCH-32221, PDF: SPF-32221
Date: Wednesday, July 11, 2018	Sheet 17 of 17