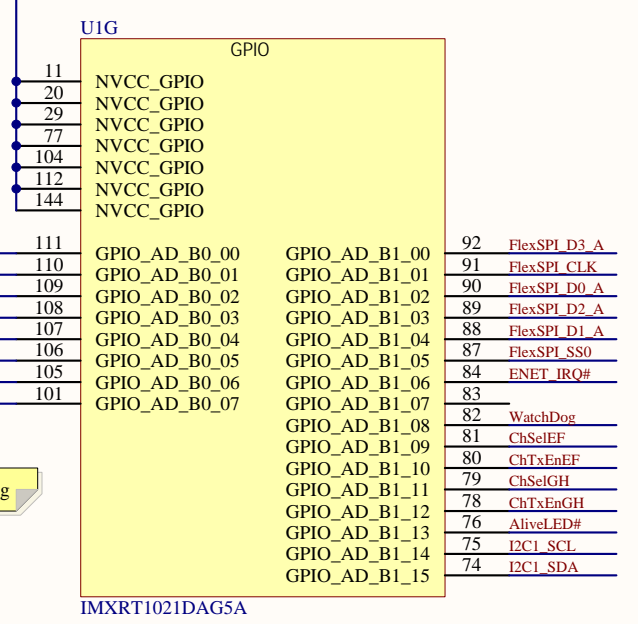
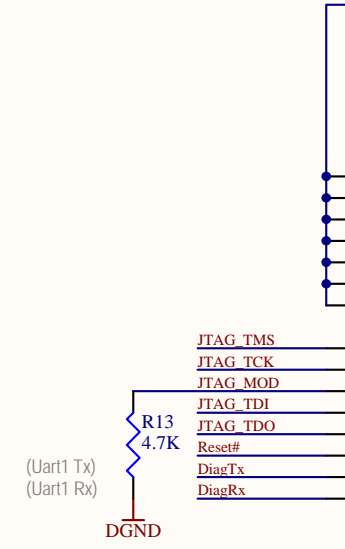
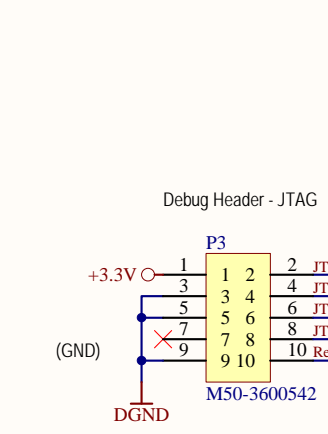
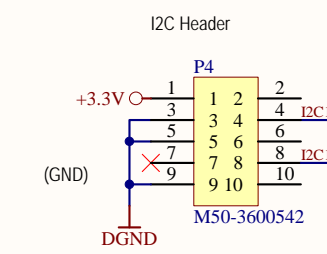
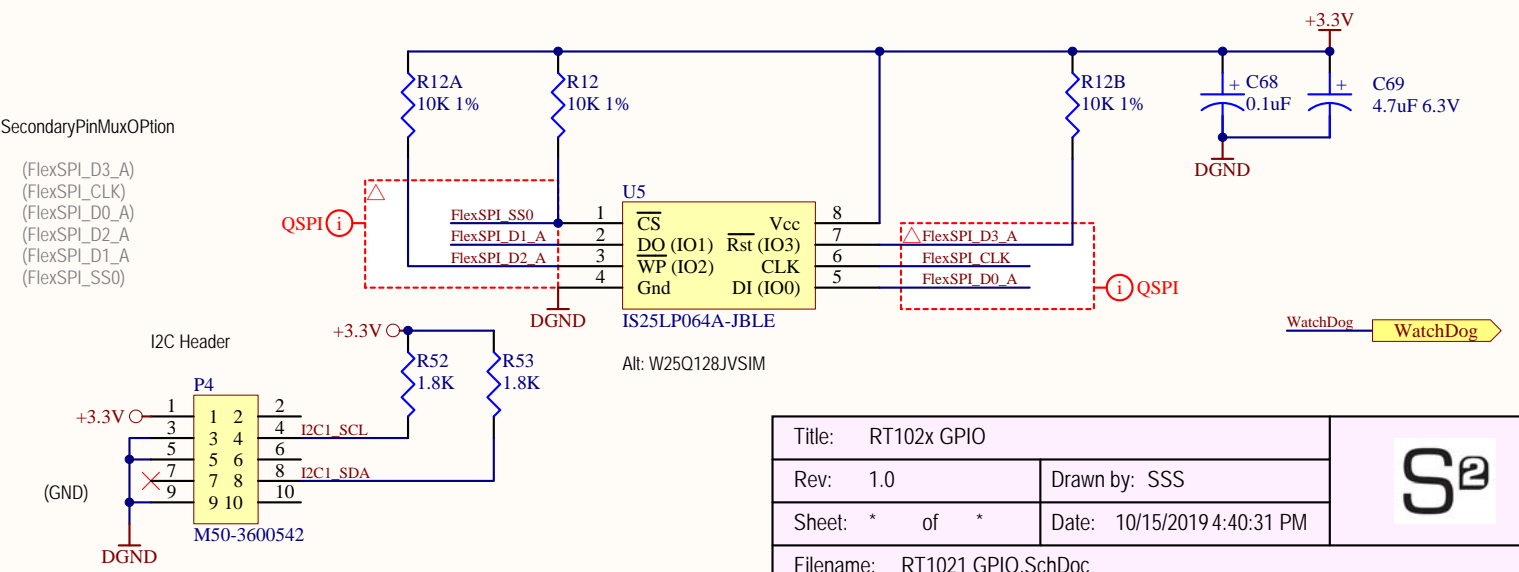


ENET_IRQ#



3v3 QSPI Flash



Title: RT102x GPIO	
Rev: 1.0	Drawn by: SSS
Sheet: * of *	Date: 10/15/2019 4:40:31 PM
Filename: RT1021 GPIO.SchDoc	

