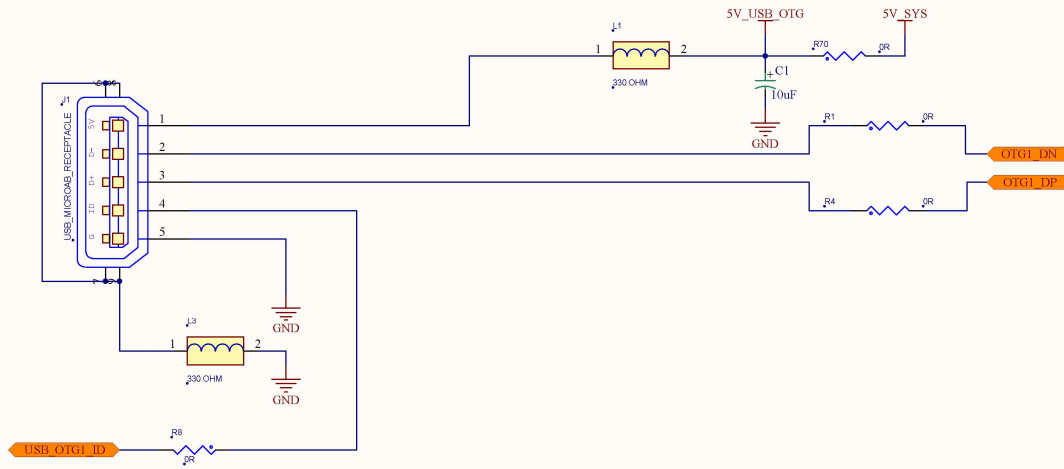
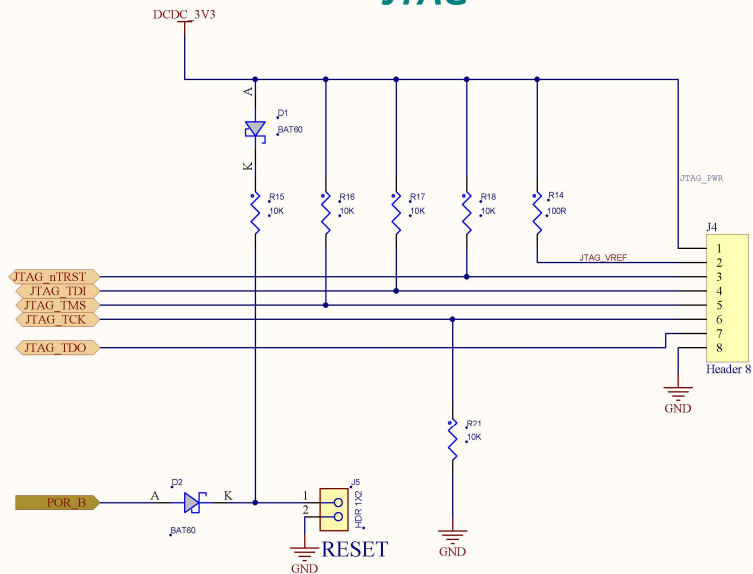


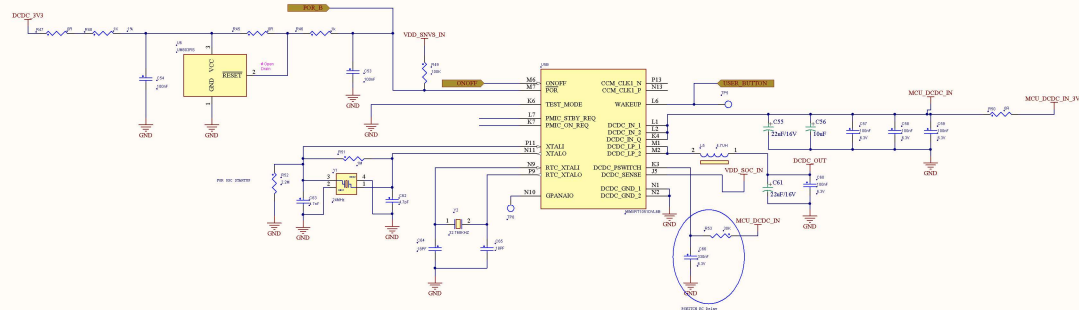
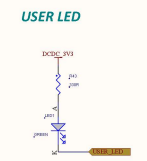
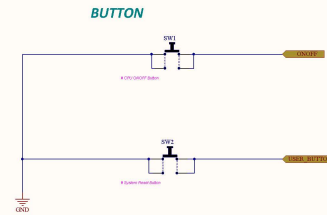
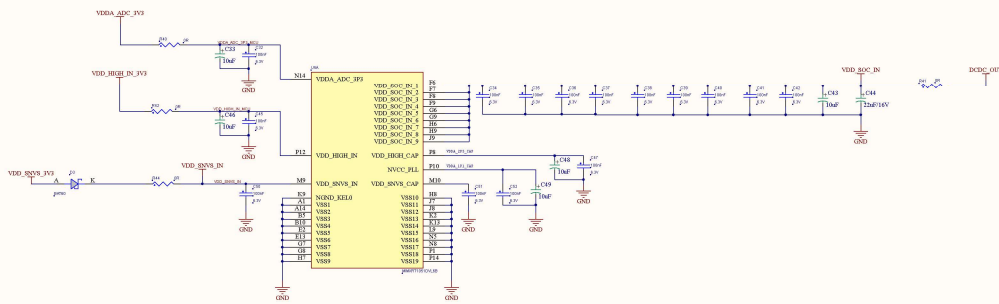
USB OTG



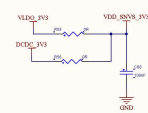
JTAG



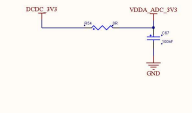
Title		
Project MIMXRT1051		
Size	Number	Revision
A3		V1R1
Date:	26/07/2019	Sheet 1 of 4
File:	C:\Projetos\Sheet 1 - CONECTIONS.Sch Down By: Rubens Junior	



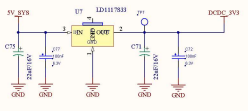
SNVS



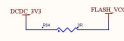
ADC



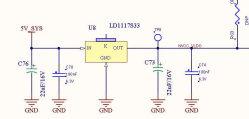
VDDHIGH / NVCC_XXX



FLASH VCC

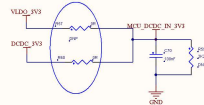


NVCC_SD <SD3.0>

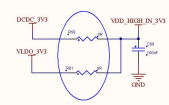


3V3 LDO for SNVS

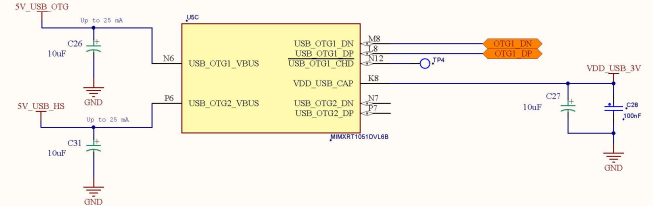
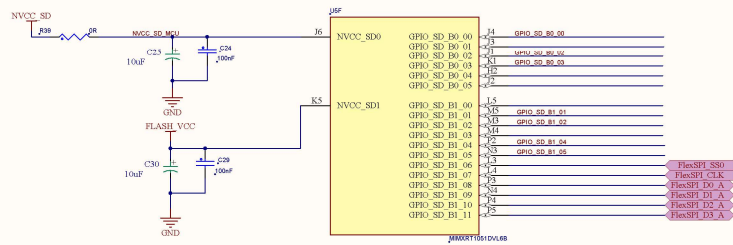
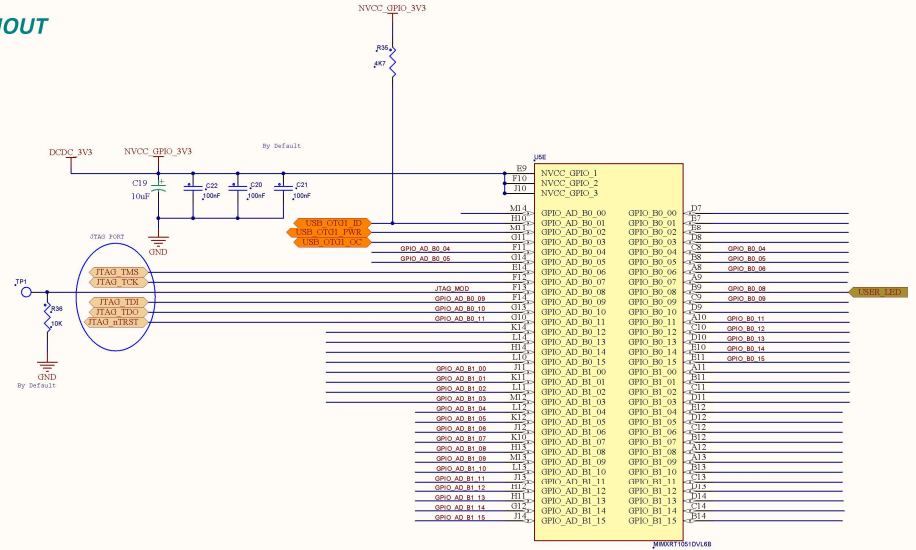
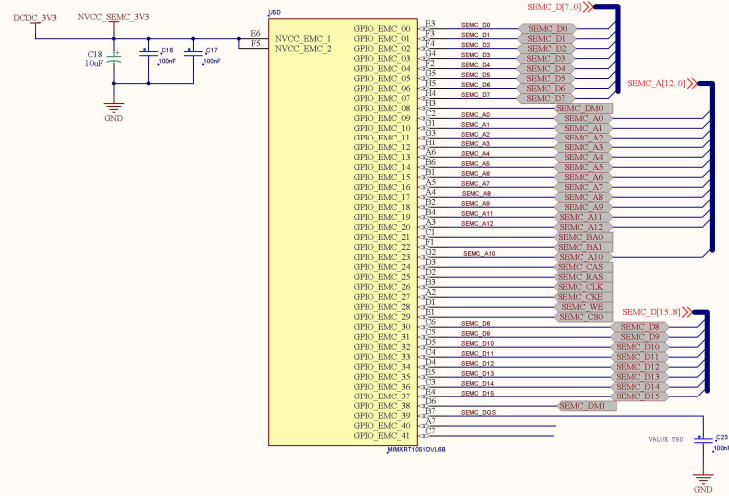
DCDC_IN



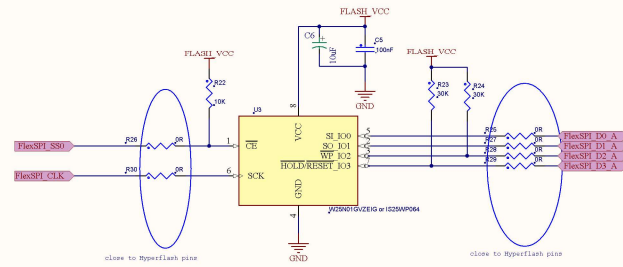
VDD_HIGH_IN



MCU PINOUT



Flash



SDRAM

