

# **AW-AM510-uSD**

## **User Guide**

**Rev. A**

(For Standard)

## Revision History

Version	Revision Date	Description	Initials	Approved
A	2021/1/26	● Initial Version	Roger Liu	N.C. Chen

## Table of Content

<b>1. Introduction.....</b>	<b>4</b>
<b>1.1 Supported I/O to host .....</b>	<b>4</b>
<b>1.2 Supported I/O signal level .....</b>	<b>4</b>
<b>1.3 Supported RF standards.....</b>	<b>4</b>
<b>2. AW-AM510-uSD.....</b>	<b>5</b>
<b>2.1 Block Diagram .....</b>	<b>5</b>
<b>2.2 HW Description.....</b>	<b>6</b>
<b>2.3 Schematics .....</b>	<b>9</b>
<b>2.4 Placement .....</b>	<b>12</b>
<b>3. EVB Kits Contents .....</b>	<b>14</b>

## 1. Introduction

AzureWave provides uSD-1212 adapter board with Wi-Fi/BT module solutions for NXP i.MX RT and i.MX6/7/8 Evaluation Kits. The uSD-1212 adapter board supports AW-AM510 (with NXP IW416UK) Wi-Fi combo BT module solutions.

- WiFi through uSD interface
- BT through UART interface

Main chip	AzureWave Module	uSD Adaptor Board
NXP IW416UK	AW-AM510	AW-AM510-uSD

### 1.1 Supported I/O to host

- Micro SD (uSD) interface for Wi-Fi.
- Arduino headers for Bluetooth through UART interface.
- FFC connector for UART and other control signal.
- Embedded UART-to-USB IC as an option for UART.
- Other debug and power interface.

### 1.2 Supported I/O signal level

I/O/voltage level	1.8V	3.3V
SDIO(3.0/2.0)	V	V
UART	N/A	V

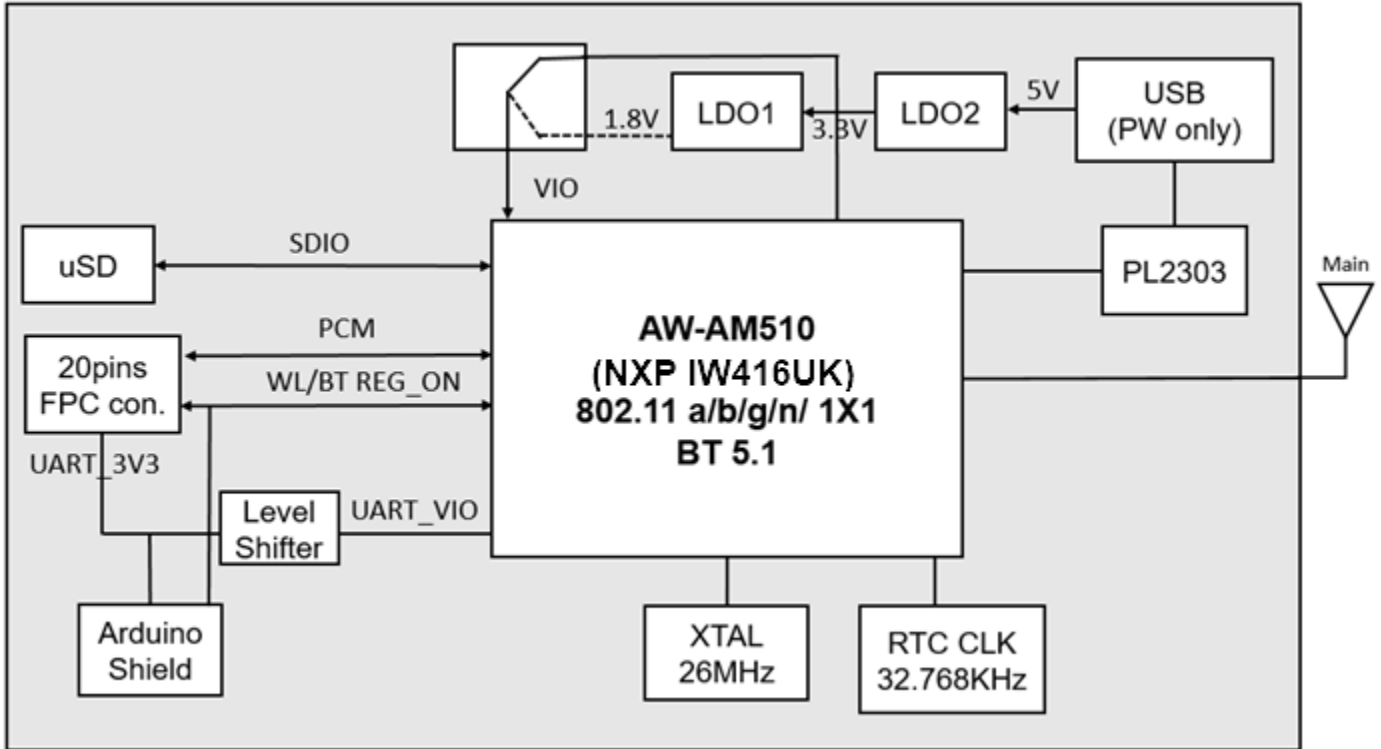
### 1.3 Supported RF standards

Model \ Standards	Wi-Fi*	BT*
AW-AM510	1x1 Wi-Fi 4 (2.4/5GHz)	5.1

\*Connecting with i-pex gen 4 RF connector

## 2. AW-AM510-uSD

### 2.1 Block Diagram

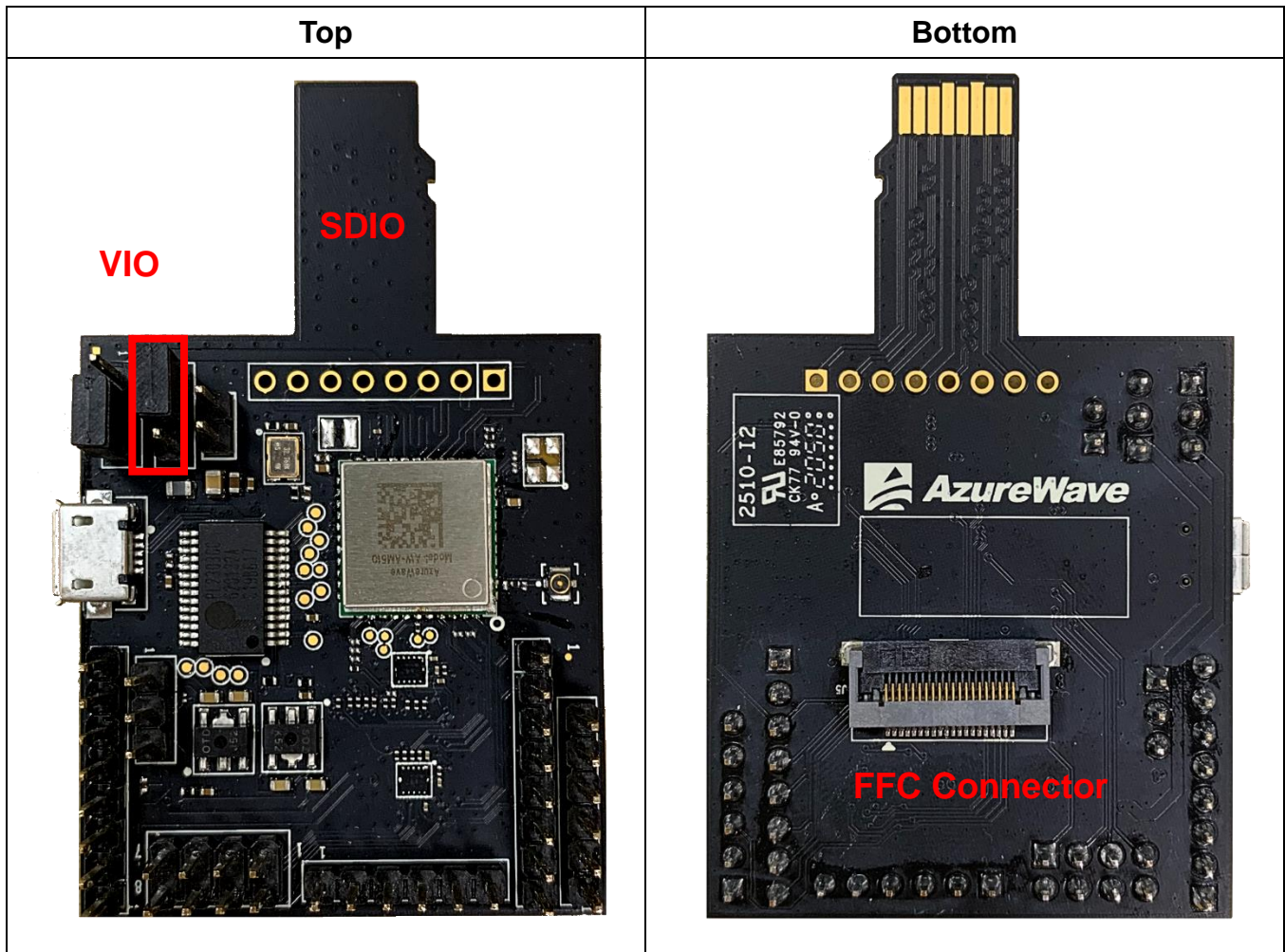


## 2.2 HW Description

VIO for SDIO voltage level options

- For 3.3V supply, please connect J4 (2-3).
- For 1.8V supply, please connect J4 (1-2).

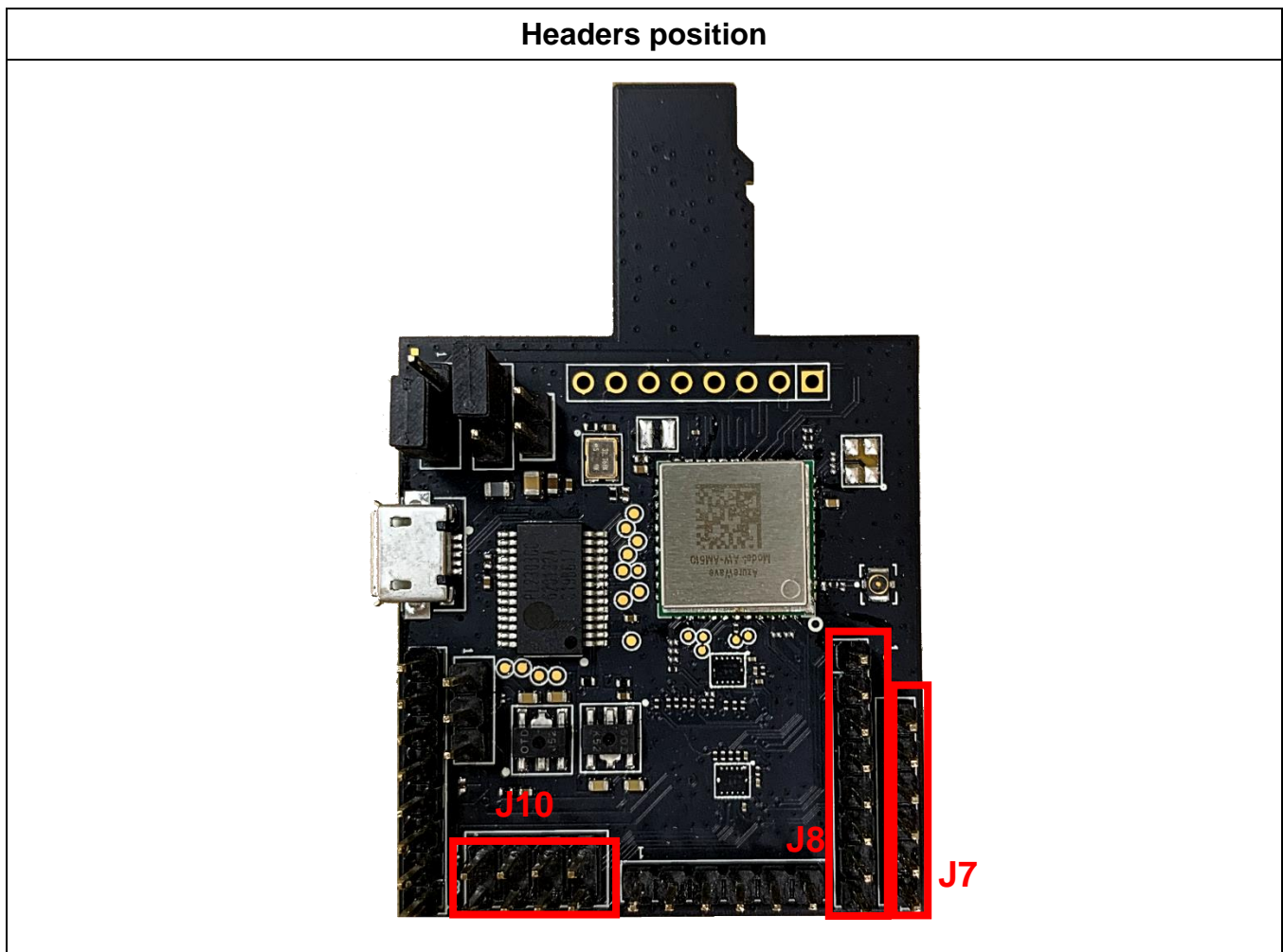
3.3V power source is configured from SDIO connector as default.



UART signal is configured from FFC connector at BOT side as default.

By using headers for Bluetooth through UART interface

- UART\_RTS: J7 (pin 3) or J10 (pin 6)
- UART\_TXD: J8 (pin 1) or J10 (pin 4)
- UART\_CTS: J7 (pin 4) or J10 (pin 8)
- UART\_RXD: J8 (pin 2) or J10 (pin 2)

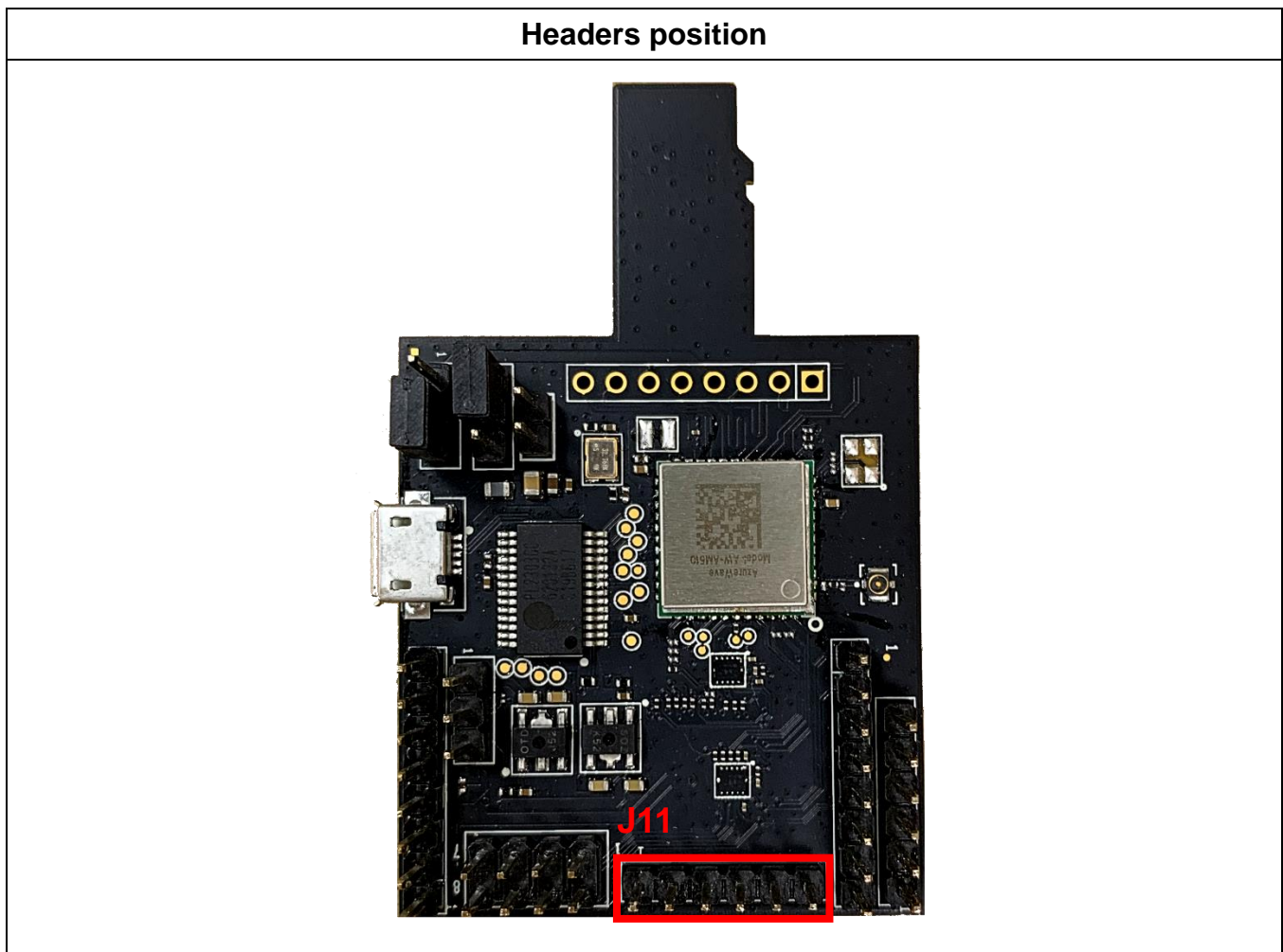




PCM signal is configured from FFC connector at BOT side as default.

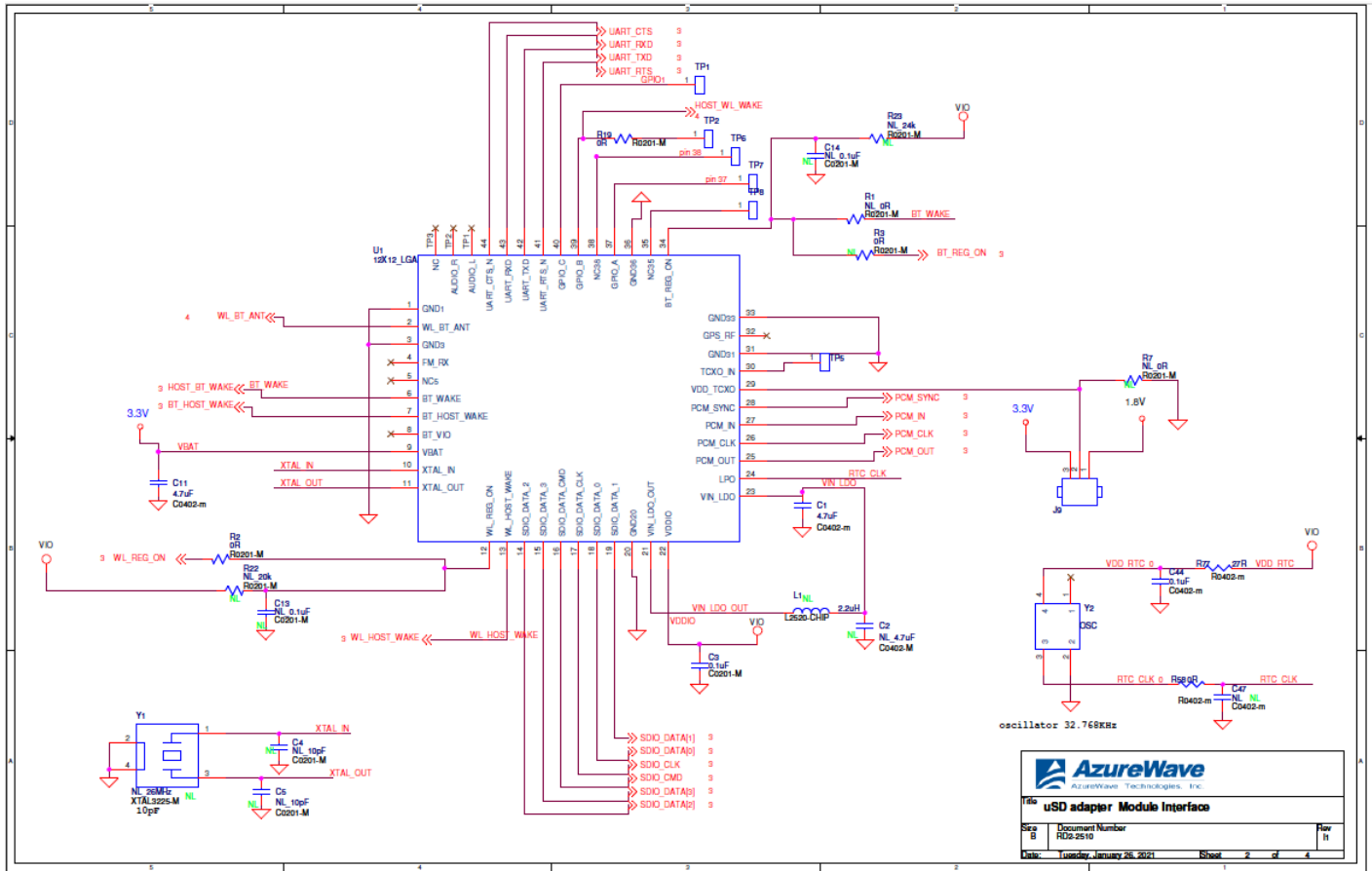
By using headers for PCM interface

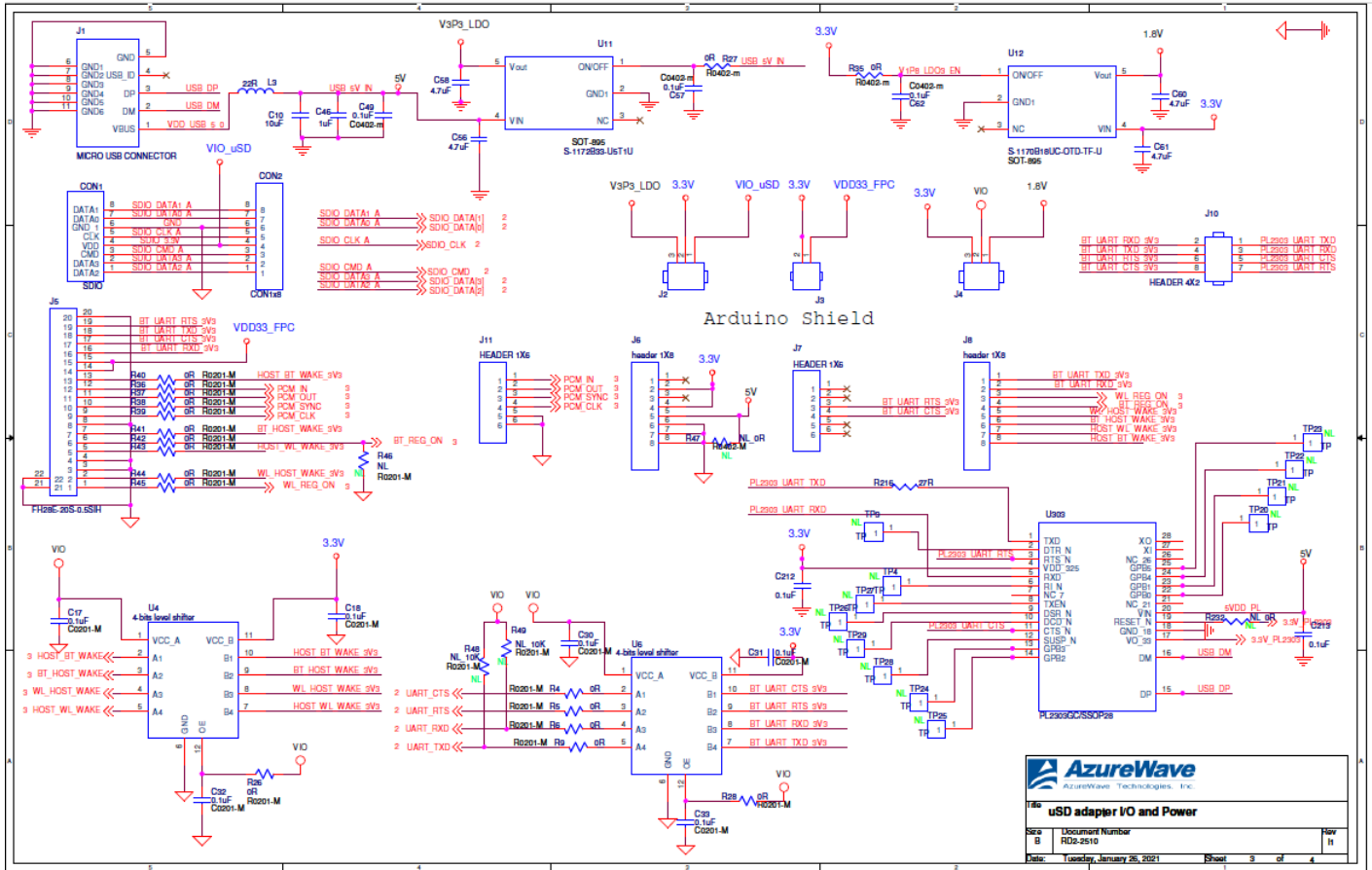
- PCM\_IN: J11 (pin 1)
- PCM\_OUT: J11 (pin 2)
- PCM\_SYNC: J11 (pin 3)
- PCM\_CLK: J11 (pin 4)

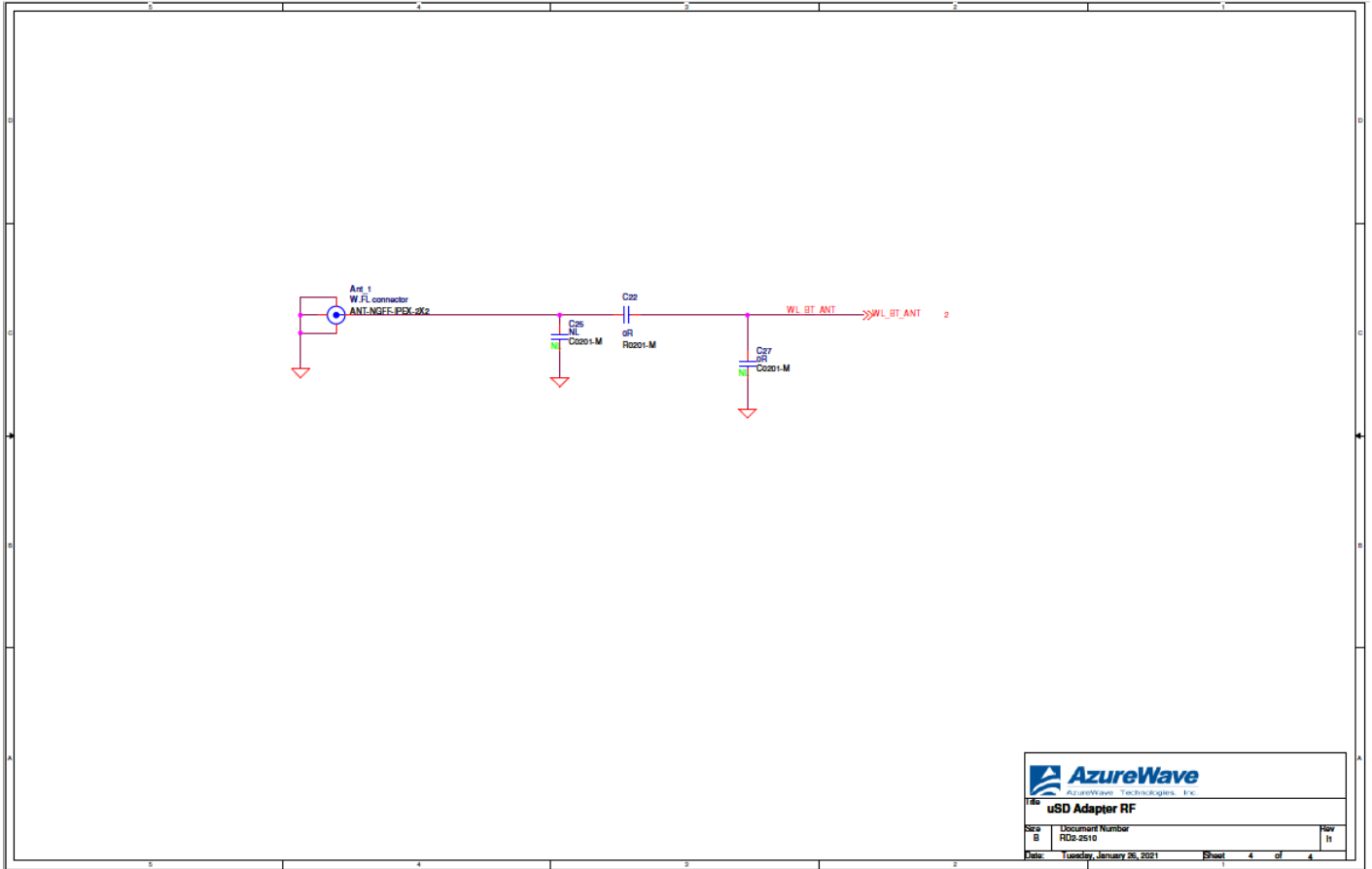




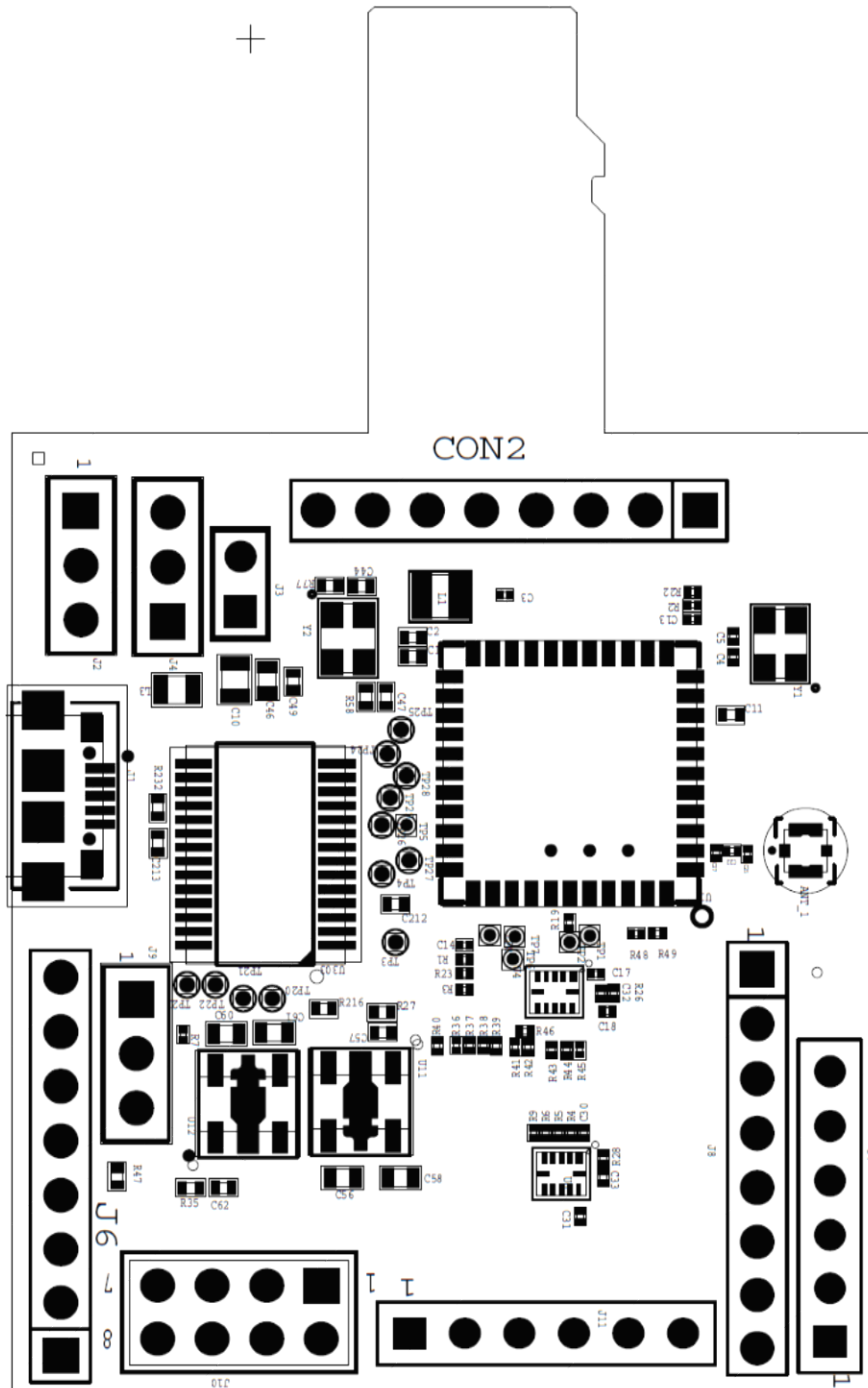
## 2.3 Schematics



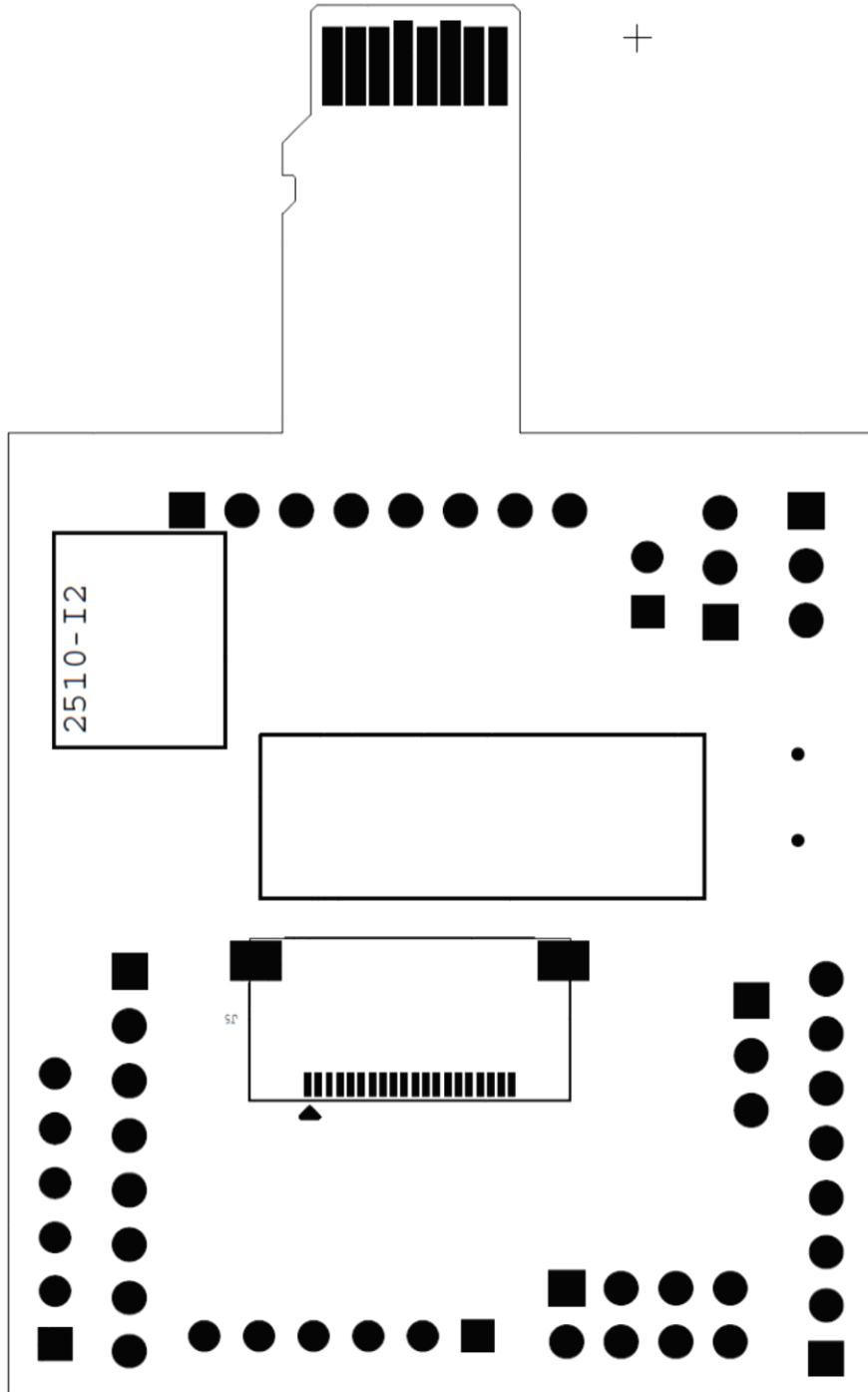




## 2.4 Placement

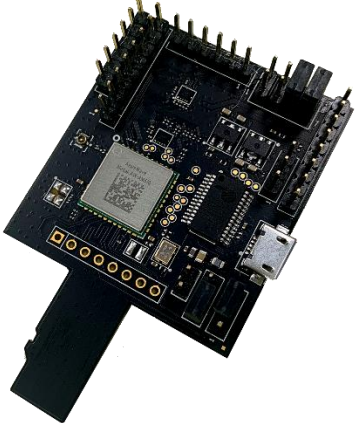




TOP View



**BOT View**

### 3. EVB Kits Contents

Content	Description
	<p>AW-AM510-uSD</p>
	<p>75mm, 20 contacts, 0.5mm pitch FFC Cable</p>
	<p>PIFA Antenna</p> <ul style="list-style-type: none"> <li>● Radiation: Directional</li> <li>● 3D Peak Gain: <ul style="list-style-type: none"> <li>■ 2.98dBi (2.4~2.5GHz)</li> <li>■ 5.16dBi (4.9~5.9GHz)</li> </ul> </li> <li>● Polarization: Linear Vertical</li> <li>● Connector: IPEX-4 Compatible</li> <li>● Operating Temp: -20°C ~ +65°C</li> <li>● Storage Temp: -30°C ~ +75°C</li> </ul>