

i.MX6SoloX UART connection

P4133 of IMX6SXR Rev. 1, 6/2016

I guess that here is correct

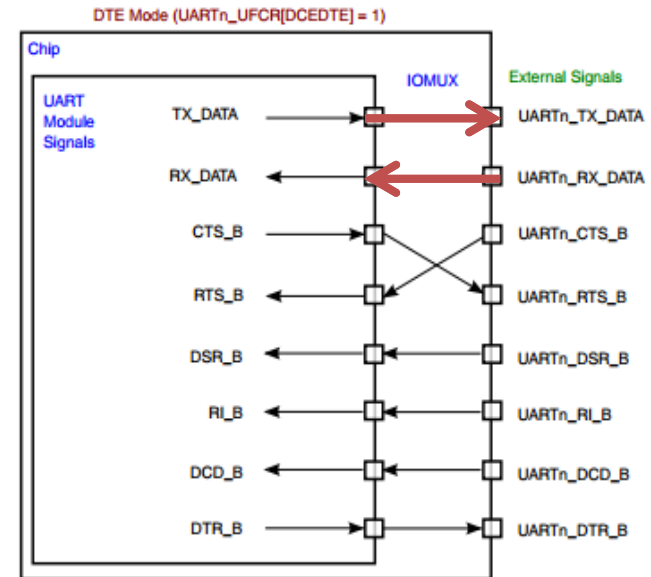
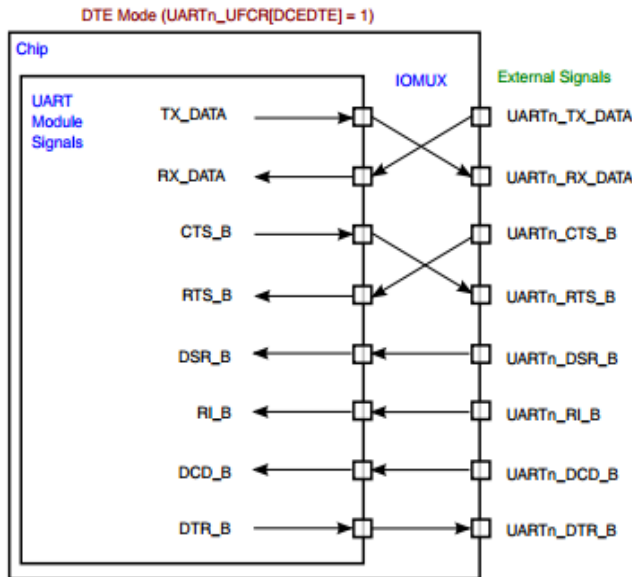
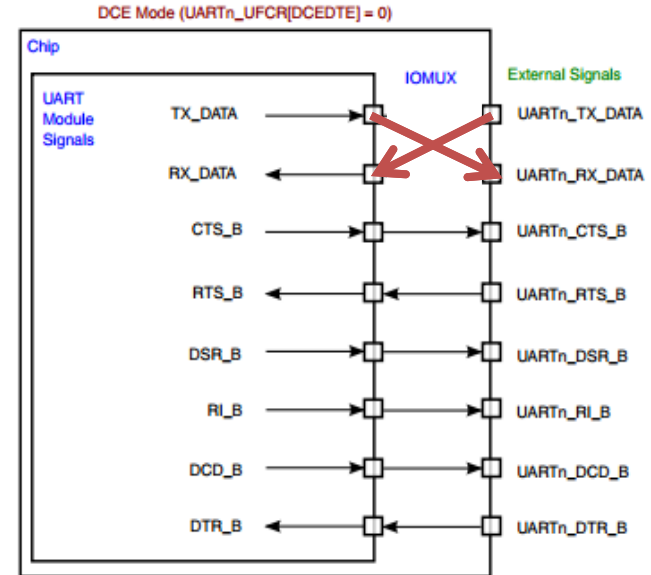
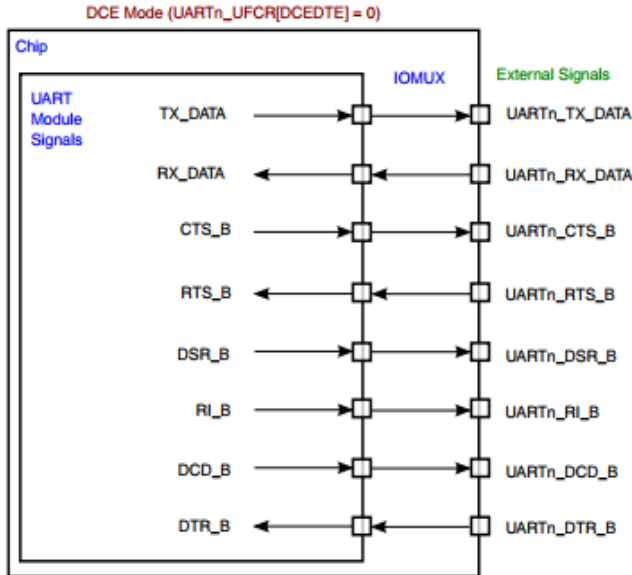


Figure 65-2. UART external signals to module signals routing with respect to DCE/DTE mode

Figure 65-2. UART external signals to module signals routing with respect to DCE/DTE mode