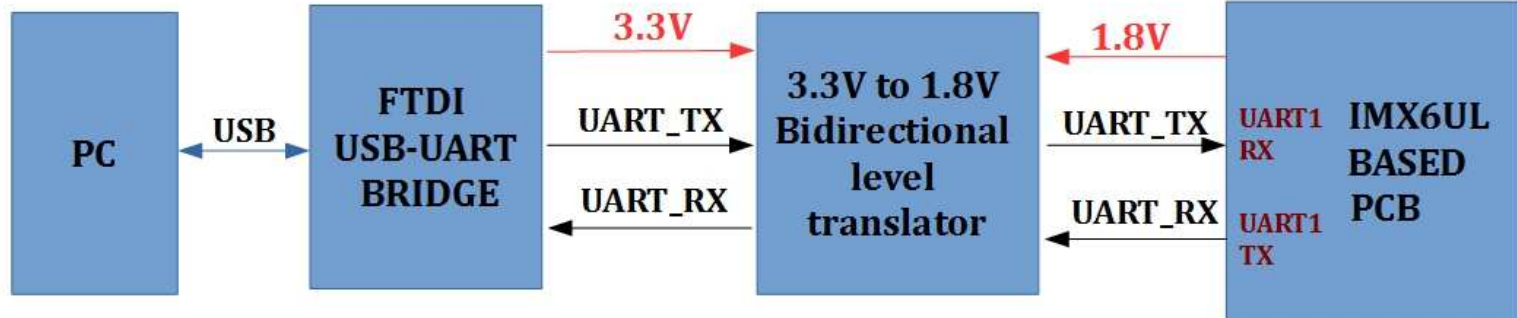
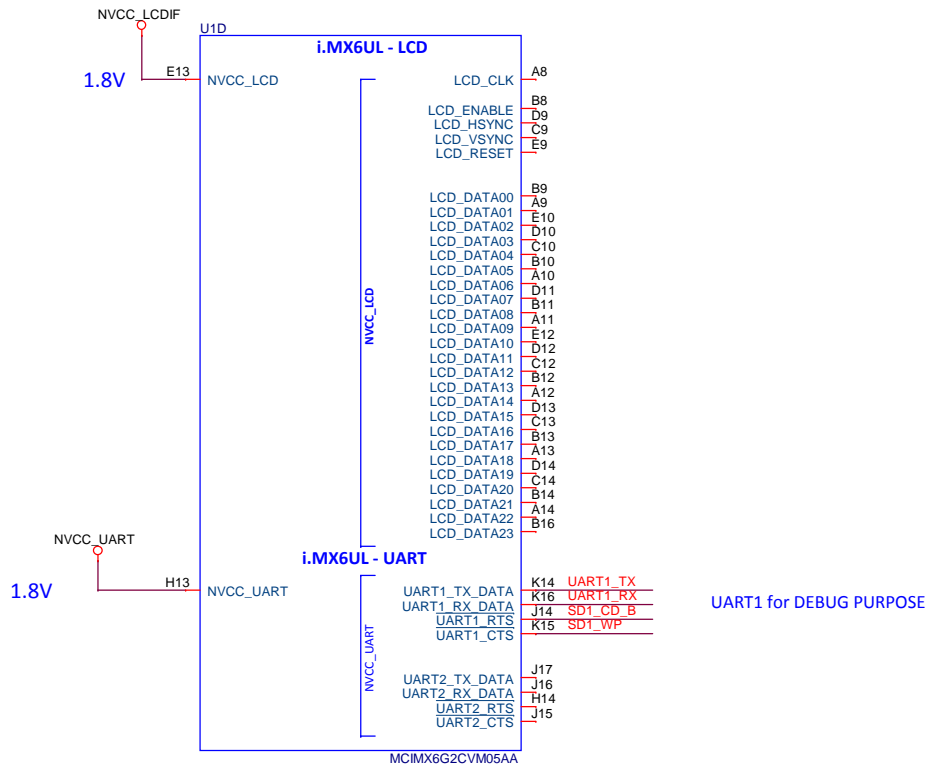


DEBUG UART FLOW

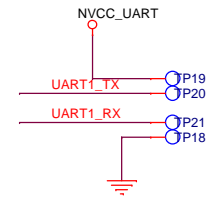


Title		
BLOCK DIAGRAM		
Size	Document Number	Rev
B	<Doc>	1.0
Date:	Monday, May 08, 2017	Sheet 1 of 3

IMX6UL_DEBUG INTERFACE



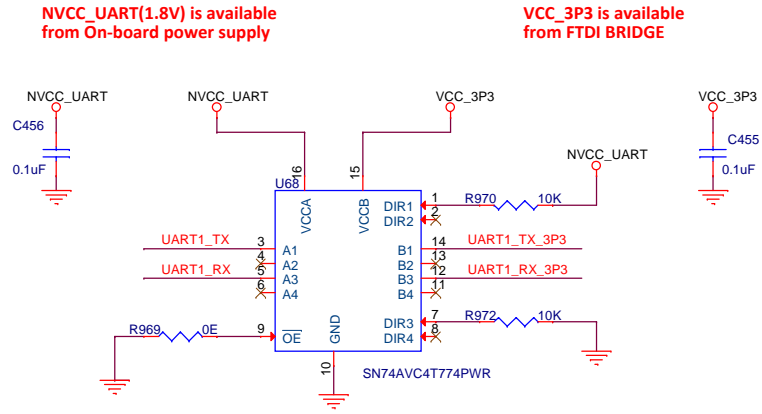
DEBUG THRU HOLE TEST POINTS



Title		
IMX6UL DEBUG UART INTERFACE		
Size	Document Number	Rev
B	<Doc>	1.0
Date:	Monday, May 08, 2017	Sheet 2 of 3

2 UART1_TX
2 UART1_RX

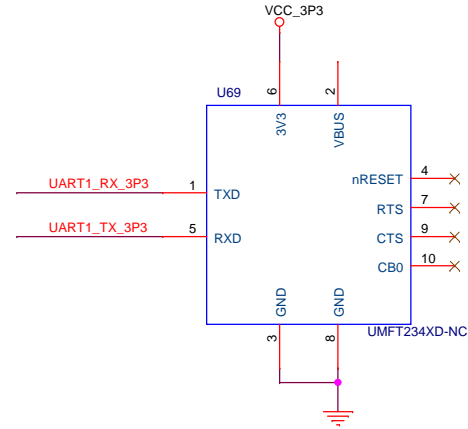
BIDIRECTIONAL LEVEL TRANSLATOR



NVCC_UART(1.8V) is available from On-board power supply

VCC_3P3 is available from FTDI BRIDGE

FTDI USB-UART BRIDGE



The BRIDGE is connected to PC

DIR	SIGNAL FLOWS FROM
LOW	B data to A data
HIGH	A data to B data

Title		
PC- DEBUG PORT INTERFACE		
Size	Document Number	Rev
B	<Doc>	1.0
Date:	Monday, May 08, 2017	Sheet 3 of 3