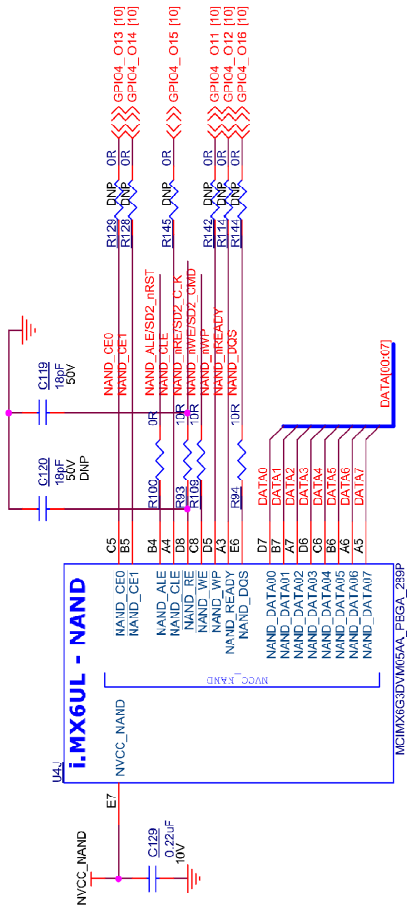
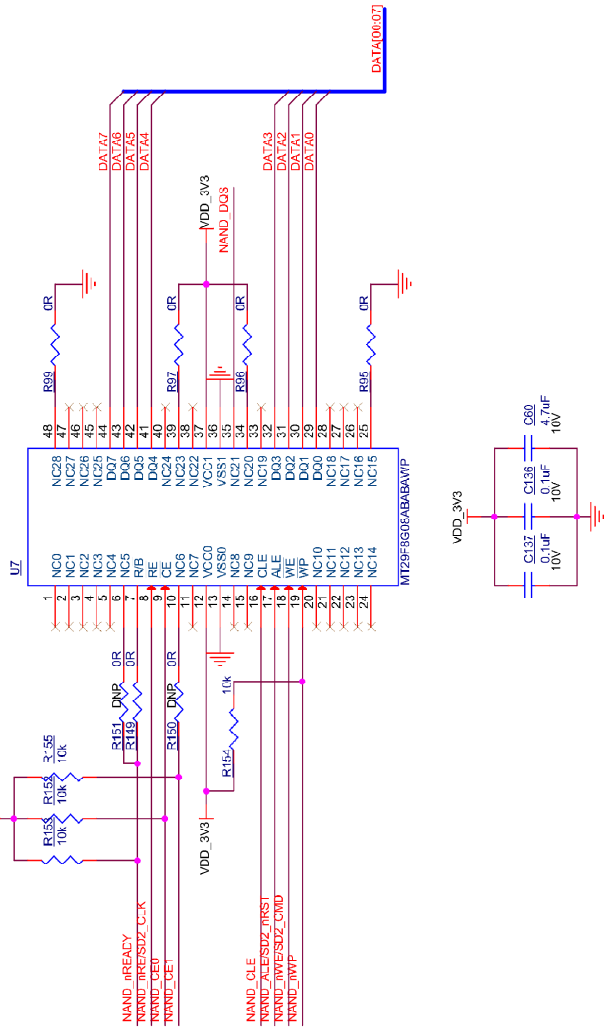


# NAND/eMMC Interface



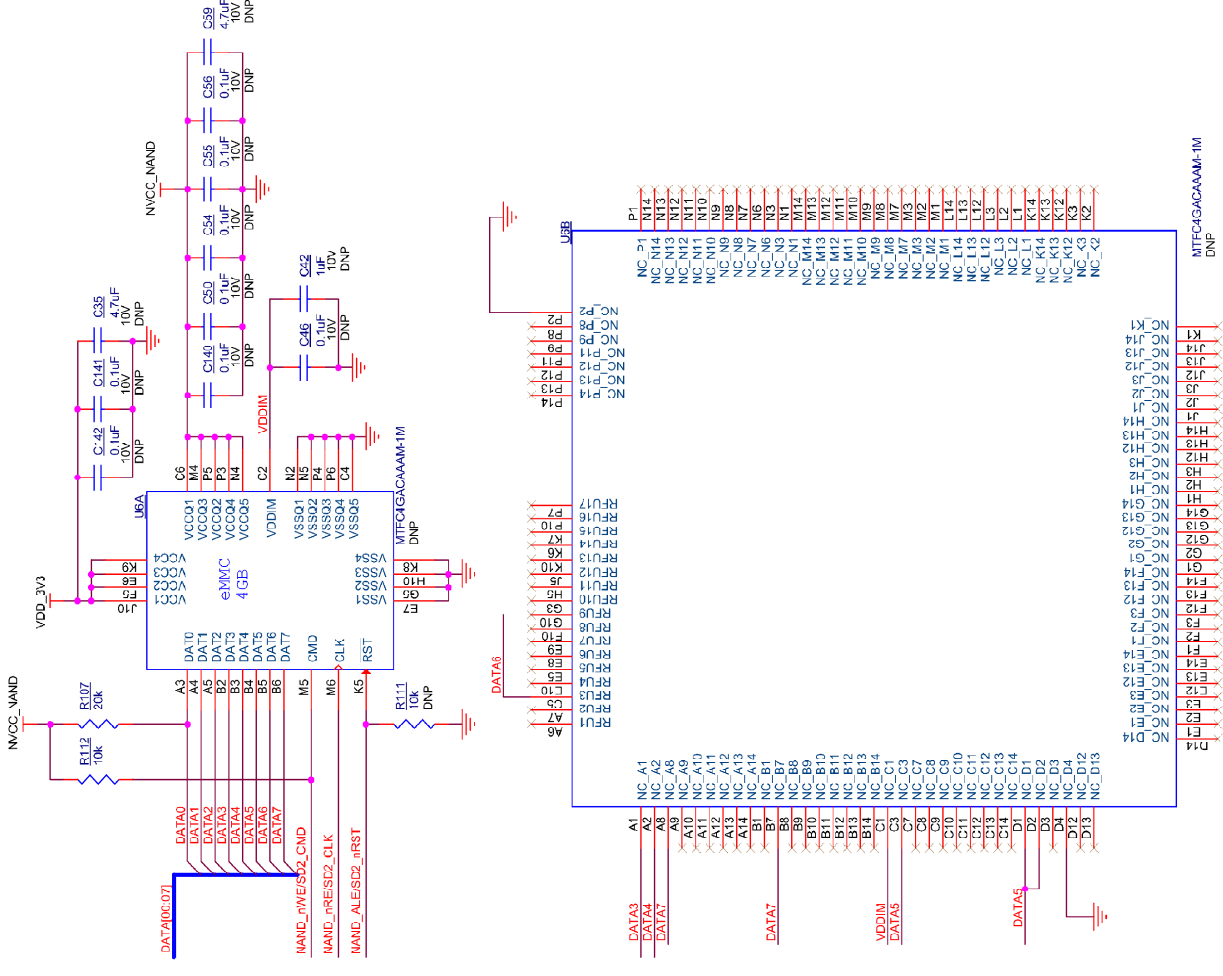
## NAND

## Default



Note:- Either NAND Flash or eMMC can be placed at a time.

## eMMC



NC & RFU pins are used for routing purpose only.  
Refer "TN-FC-35: eMMC PCB Design Guide" for more detail.