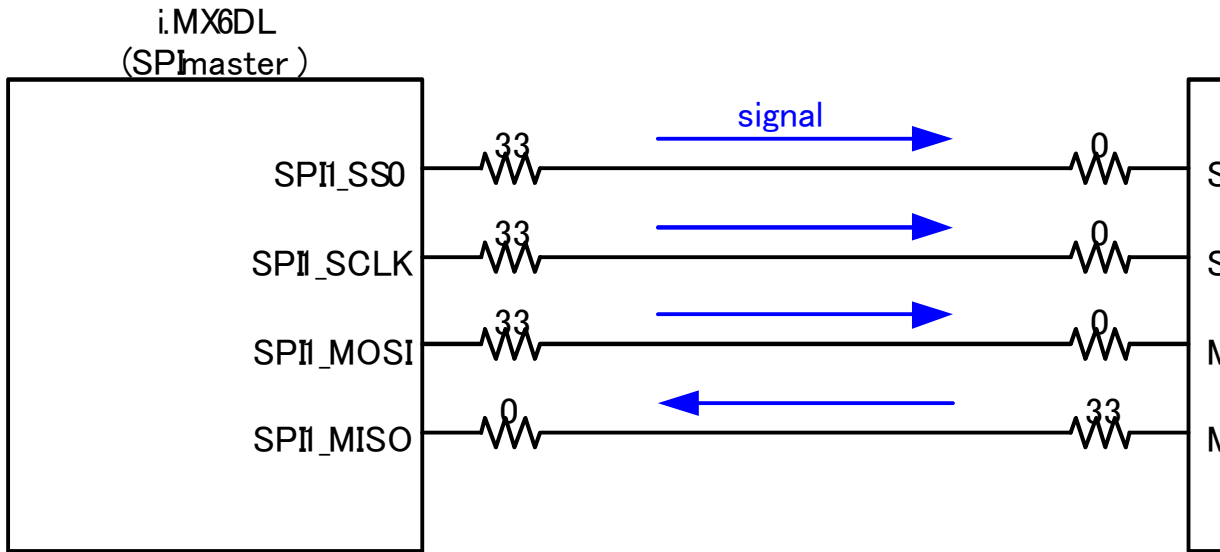
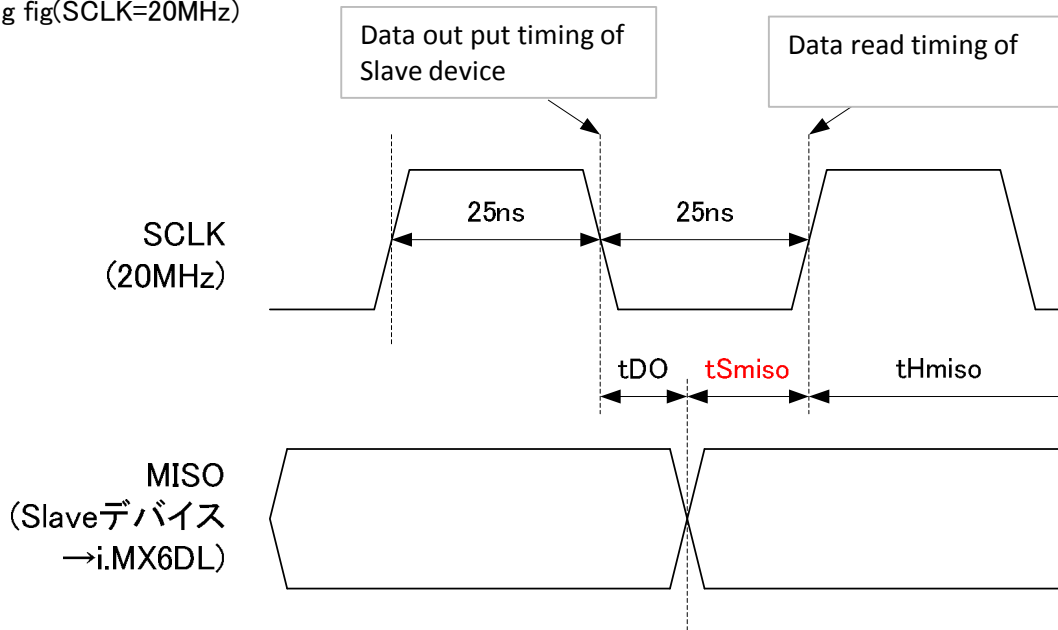


■ SPI connection



name of signal	mean
SS	SPI Slave-Select
SCLK	SPI Serial-Clock
MISO	SPI Serial-DATA. (Master-In, Slave-Out)
MOSI	SPI Serial-DATA. (Master-Out, Slave-In)

■ MISO timing fig(SCLK=20MHz)



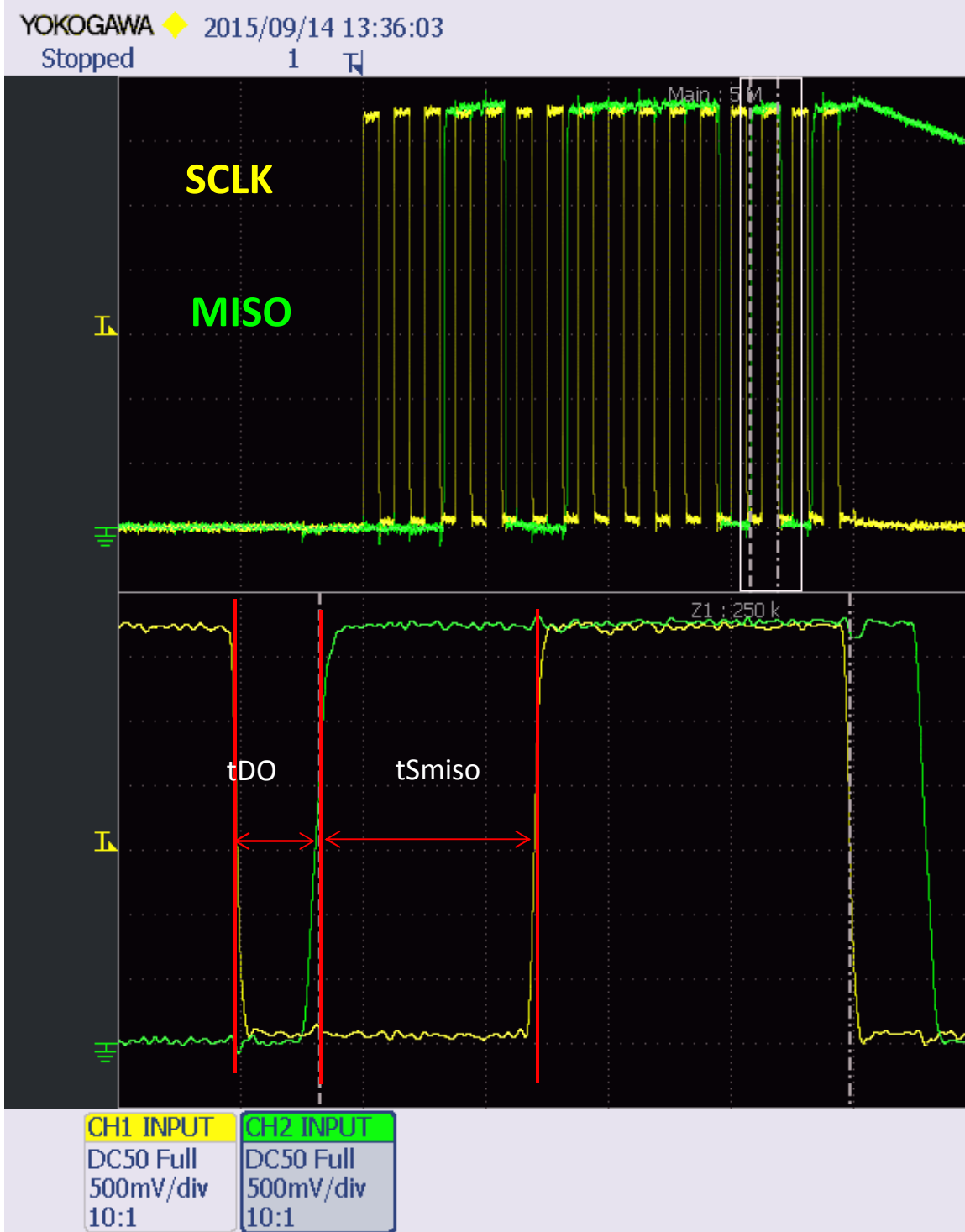
Parameter	Symbol	min	typ	max
SCLK Fall to MISO Propagation Delay	tDO	-	-	14.2
SPI1_MISO Setup Time	tSmiso	18	-	-

If the output of the MISO was delayed max value, i.MX6DL side of the set-up time is n

■ 実測波形

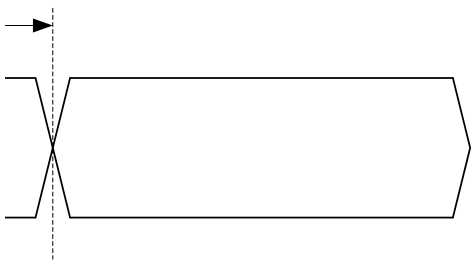
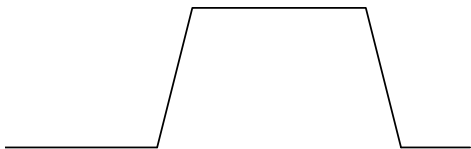
Output delay time of the Slave device, at the Spec MAX value 14.2ns, is measured (roc

The i.MX is setup 17.5ns(i.MX setup ability time provisions min 18 ns) are not satisfied.



$t_{Smiso}=17.5\text{ns} < 18\text{ns NG}$

SPI slave device



unit	備考
ns	Slave device spec
ns	i.MX6DL spec

ot meet the  $25\text{ns} - 14.2\text{ns} = 10.8\text{ns}$  provisions of  $18\text{ns}$  (min)

om temperature) in about  $7.5\text{ns}$ .

Normal  
IntP 2.5TS/s


T2

0.3785div

200ns/div

T1  
632.4000ns  
T2  
675.7000ns  
 $\Delta T$   
43.3000ns  
 $1/\Delta T$   
23.0947MHz

10ns/div

Edge  
CH1   
1500mV  
DC OFF 