

FFC 30P

LCD
ADAPTER
BOARD

FFC 30P

FFC 7P

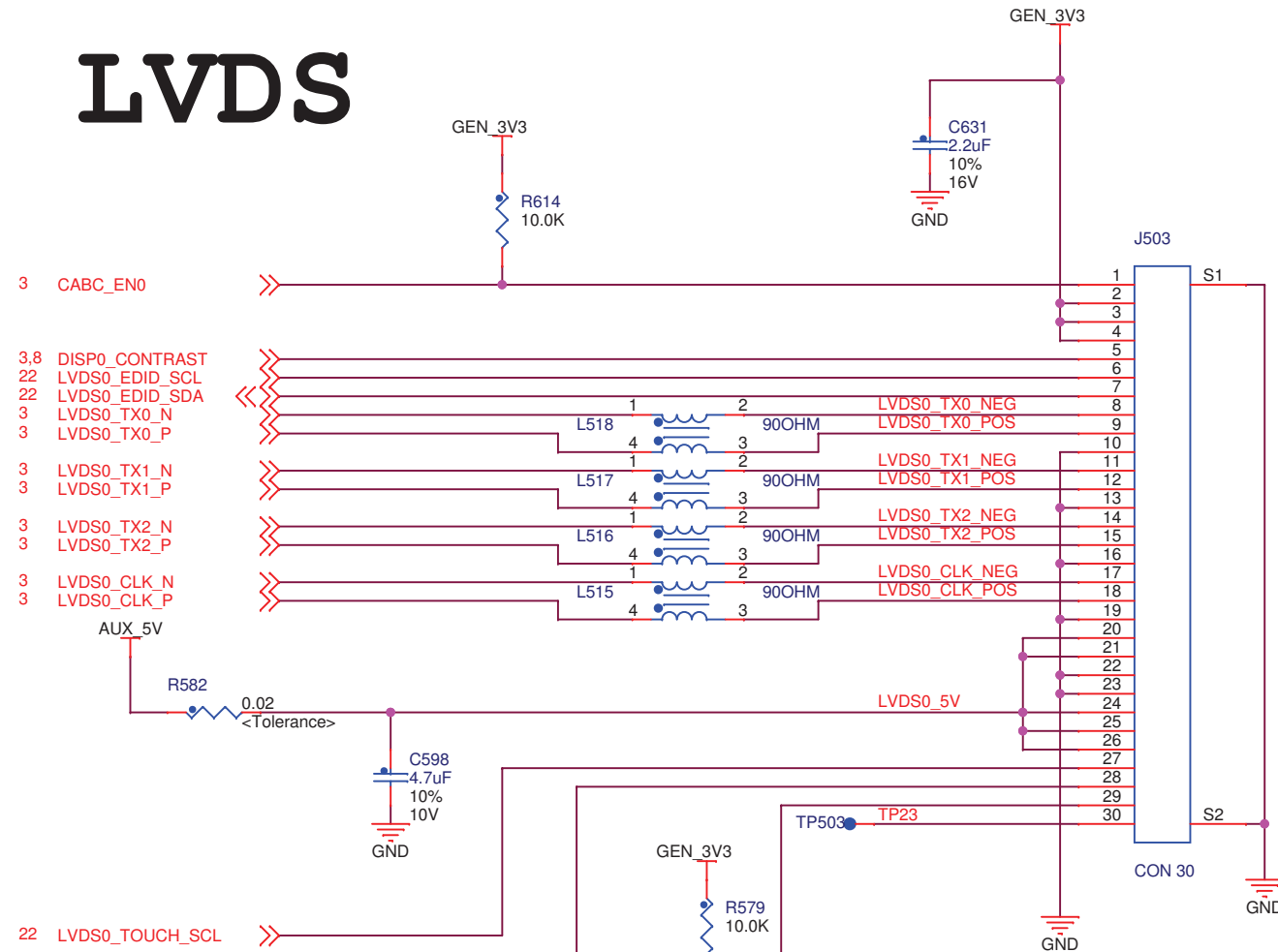
BD070LIC1 -- 7"
1280x800 Display

TOUCH SCREEN

TITLE IMX 6 PERIPHERAL			
SIZE A3	DRAWING NO LVDS ADAPTER 1.0	REV 1.0	
SCALE NONE	SHEET 2		OF 4

QMAX SYSTEMS, INC.
1692 WESTMONT AVE,
CAMPBELL, CA 95008 U.S.A

LVDS

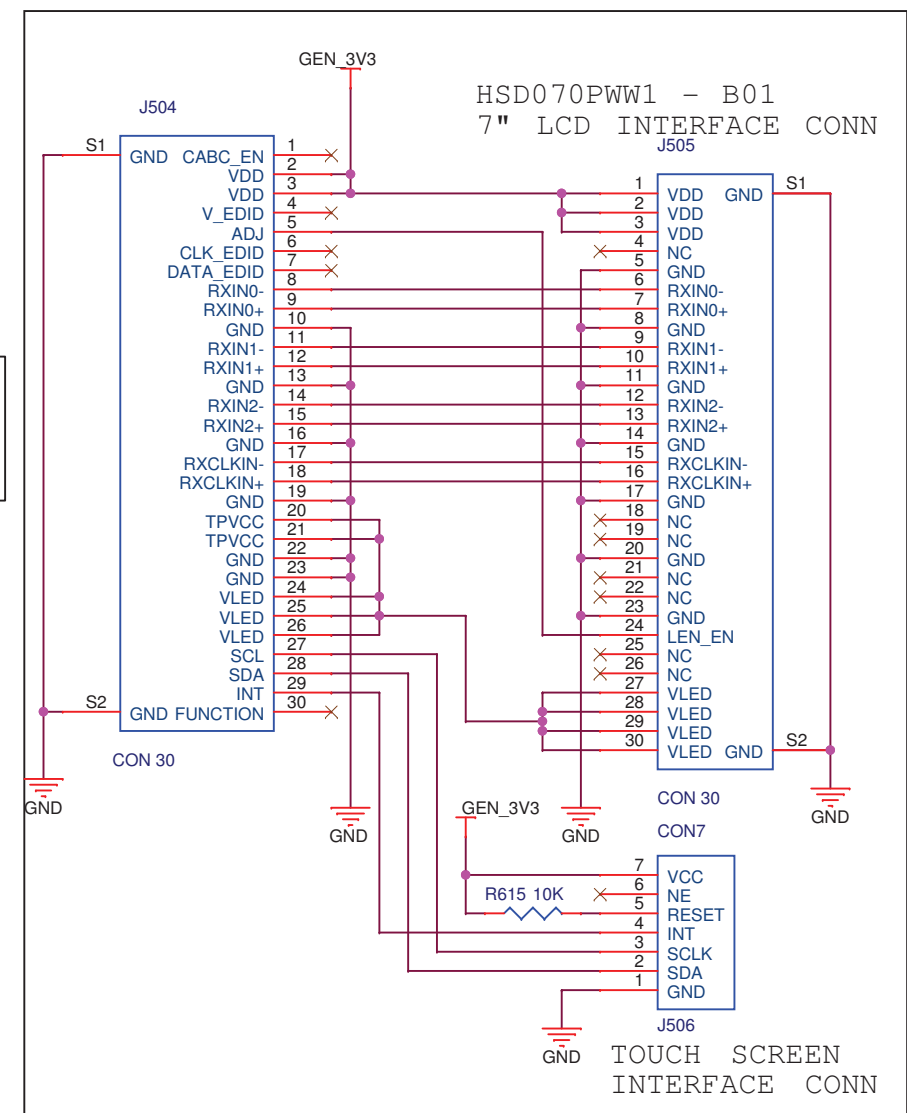


LVDS0

Place L515, L516, L517 and L518 CMCs close to J403 connector.



ADAPTER BOARD



TITLE IMX 6 PERIPHERAL			
SIZE A3	DRAWING NO LVDS ADAPTER 1.0	REV 1.0	
SCALE NONE	SHEET 3		OF 4

QMAX SYSTEMS, INC.
1692 WESTMONT AVE,
CAMPBELL, CA 95008 U.S.A