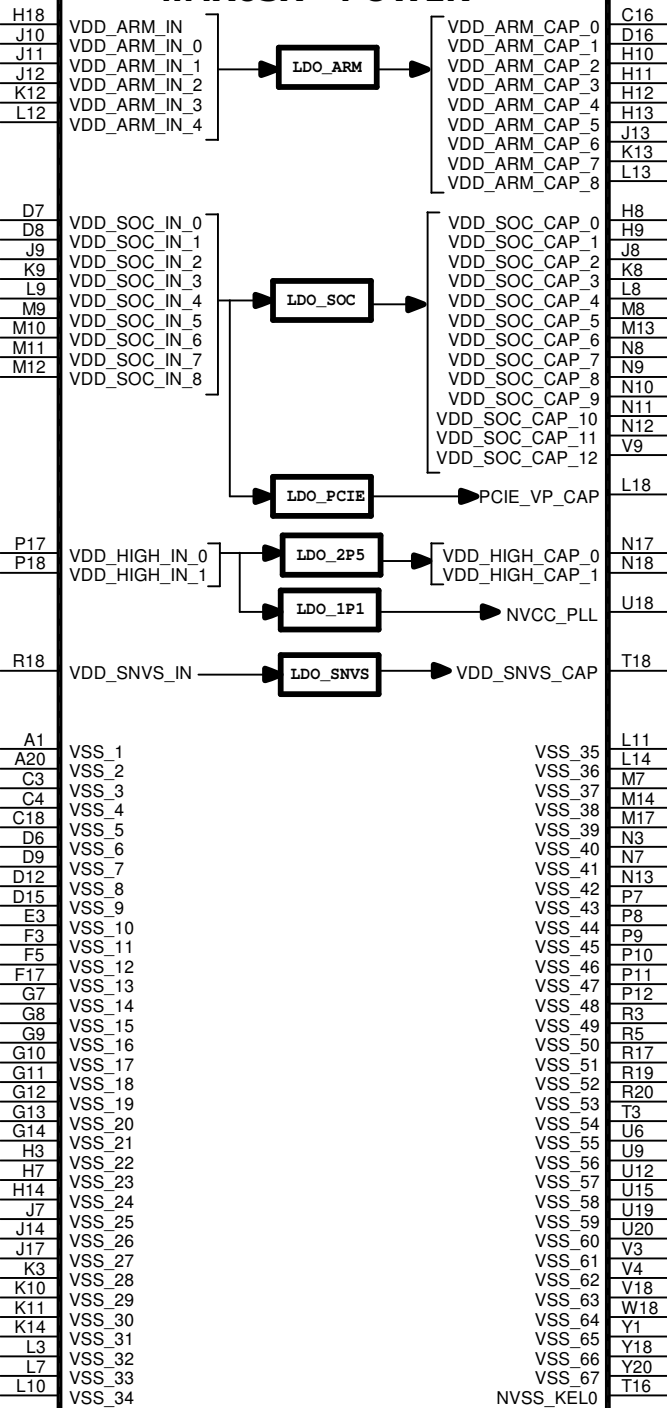
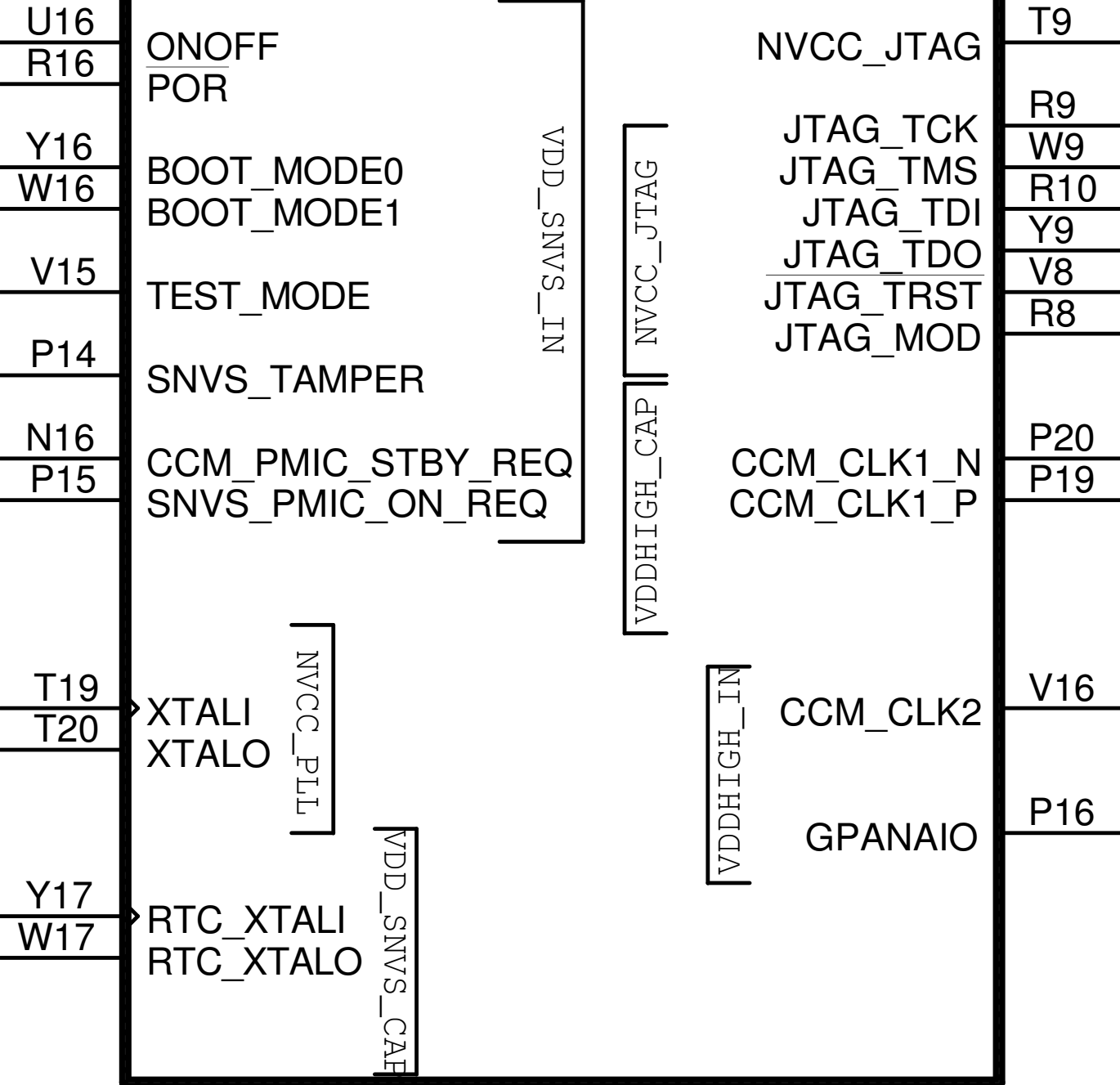


## i.MX6SX - POWER



U?B

# i.MX6SX - CONTROL



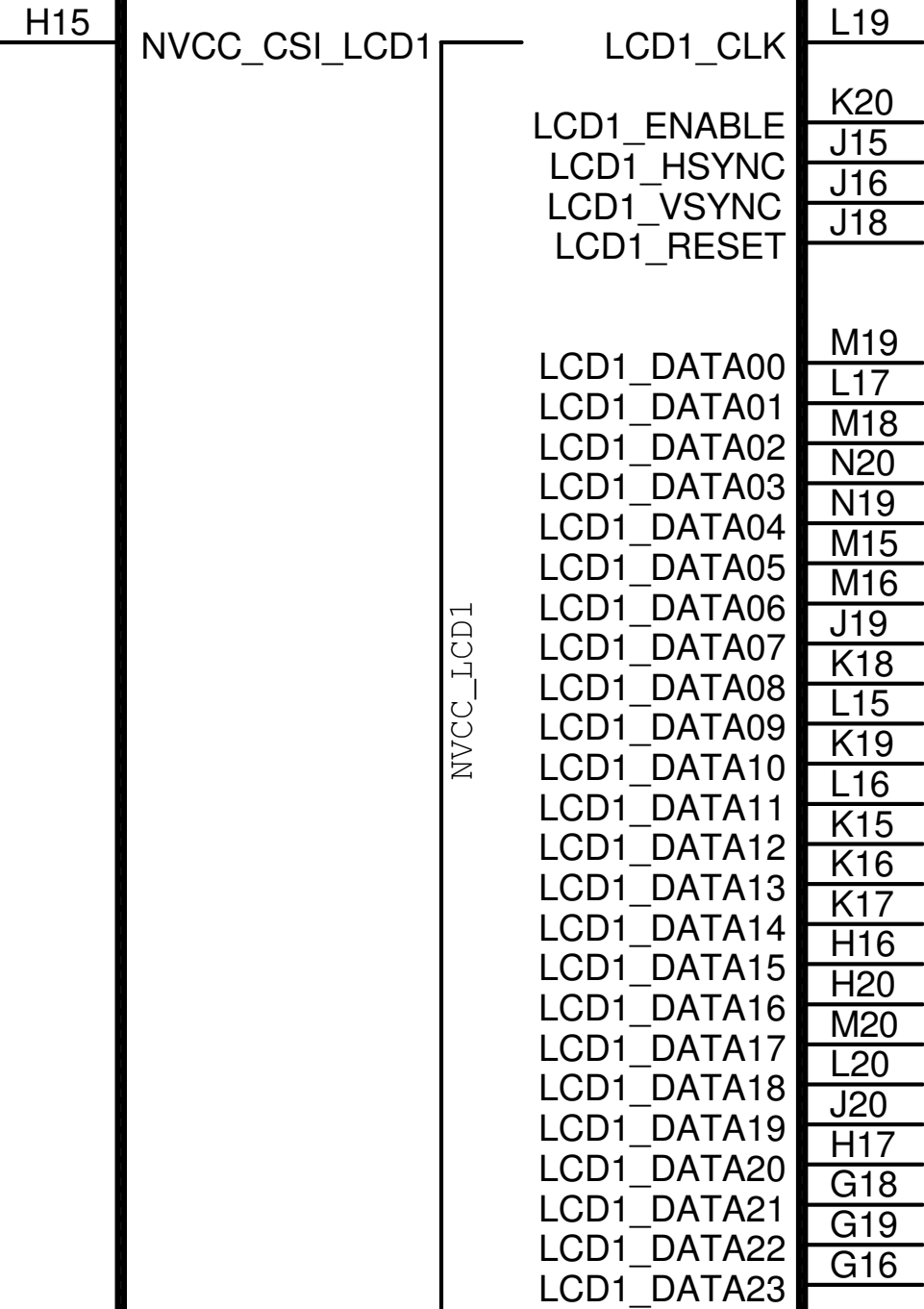
<Value>

**i.MX6SX - DDR**

T2			N5
U2	DRAM_DATA00	DRAM_ADDR00	P5
U1	DRAM_DATA01	DRAM_ADDR01	M4
R2	DRAM_DATA02	DRAM_ADDR02	K5
U3	DRAM_DATA03	DRAM_ADDR03	H5
R4	DRAM_DATA04	DRAM_ADDR04	F4
P3	DRAM_DATA05	DRAM_ADDR05	N4
P4	DRAM_DATA06	DRAM_ADDR06	G5
P2	DRAM_DATA07	DRAM_ADDR07	J4
P1	DRAM_SDQS0_N	DRAM_ADDR08	L2
N1	DRAM_SDQS0_P	DRAM_ADDR09	H4
	DRAM_DQM0	DRAM_ADDR10	M3
F1		DRAM_ADDR11	M5
F2	DRAM_DATA08	DRAM_ADDR12	J3
G3	DRAM_DATA09	DRAM_ADDR13	R1
E2	DRAM_DATA10	DRAM_ADDR14	
E4	DRAM_DATA11		
D1	DRAM_DATA12		G4
E1	DRAM_DATA13	DRAM_SDBA0	M2
D2	DRAM_DATA14	DRAM_SDBA1	J2
H1	DRAM_DATA15	DRAM_SDBA2	
G1	DRAM_SDQS1_N		
G2	DRAM_SDQS1_P		
	DRAM_DQM1		
Y4			L4
W4	DRAM_DATA16	DRAM_CS0	K2
Y3	DRAM_DATA17	DRAM_CS1	
U4	DRAM_DATA18		
W3	DRAM_DATA19	DRAM_RAS	J1
Y2	DRAM_DATA20	DRAM_CAS	N2
T4	DRAM_DATA21	DRAM_SDWE	M1
W2	DRAM_DATA22		
V2	DRAM_DATA23		
V1	DRAM_SDQS2_N		L5
W1	DRAM_SDQS2_P	DRAM_SDCKE0	J5
	DRAM_DQM2	DRAM_SDCKE1	
D3			T1
B3	DRAM_DATA24	DRAM_ODT0	
A3	DRAM_DATA25		
C2	DRAM_DATA26		
A2	DRAM_DATA27		
C5	DRAM_DATA28		
B4	DRAM_DATA29		D4
A4	DRAM_DATA30	DRAM_RESET	
B1	DRAM_DATA31		
B2	DRAM_SDQS3_N		
C1	DRAM_SDQS3_P		L1
	DRAM_DQM3	DRAM_SDCLK0_N	K1
		DRAM_SDCLK0_P	
G6	NVCC_DRAM_0		
H6	NVCC_DRAM_1		
J6	NVCC_DRAM_2		
K6	NVCC_DRAM_3	NVCC_DRAM_2P5	K7
L6	NVCC_DRAM_4		
M6	NVCC_DRAM_5		
N6	NVCC_DRAM_6	DRAM_VREF	K4
P6	NVCC_DRAM_7		
		DRAM_ZQPAD	H2

U?D

# i.MX6SX - LCD1



<Value>

U?E

# i.MX6SX - USB

W20

USB\_OTG1\_VBUS

USB\_OTG1\_DN

V19

V20

USB\_OTG1\_DP

T17

USB\_OTG1\_CHD



VDD\_USB\_CAP

V17

U17

USB\_OTG2\_VBUS

USB\_OTG2\_DN

Y19

W19

USB\_OTG2\_DP



V5

NVCC\_USB\_H

USB\_H\_DATA

Y5

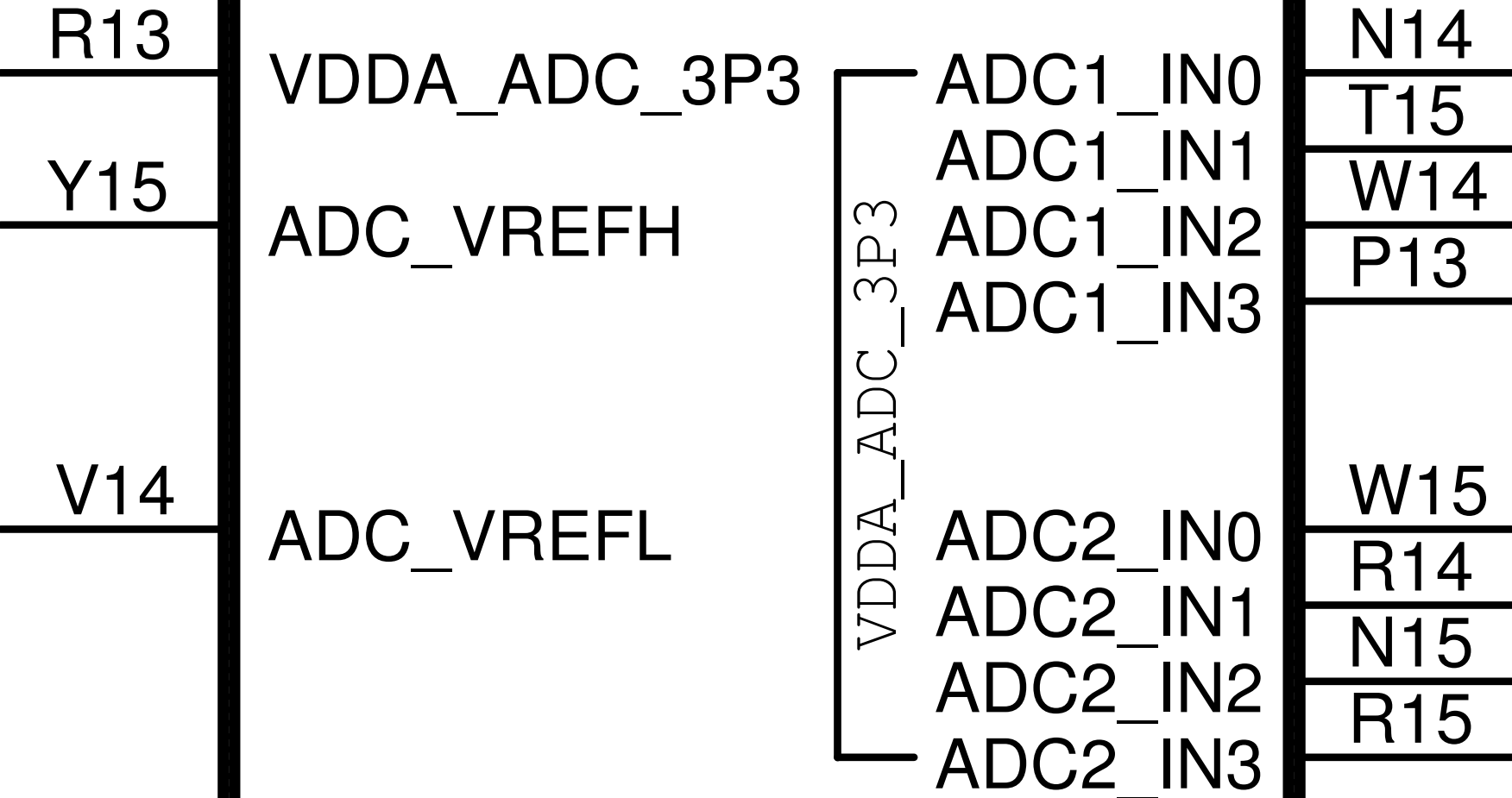
W5

USB\_H\_STROBE

<Value>

U?F

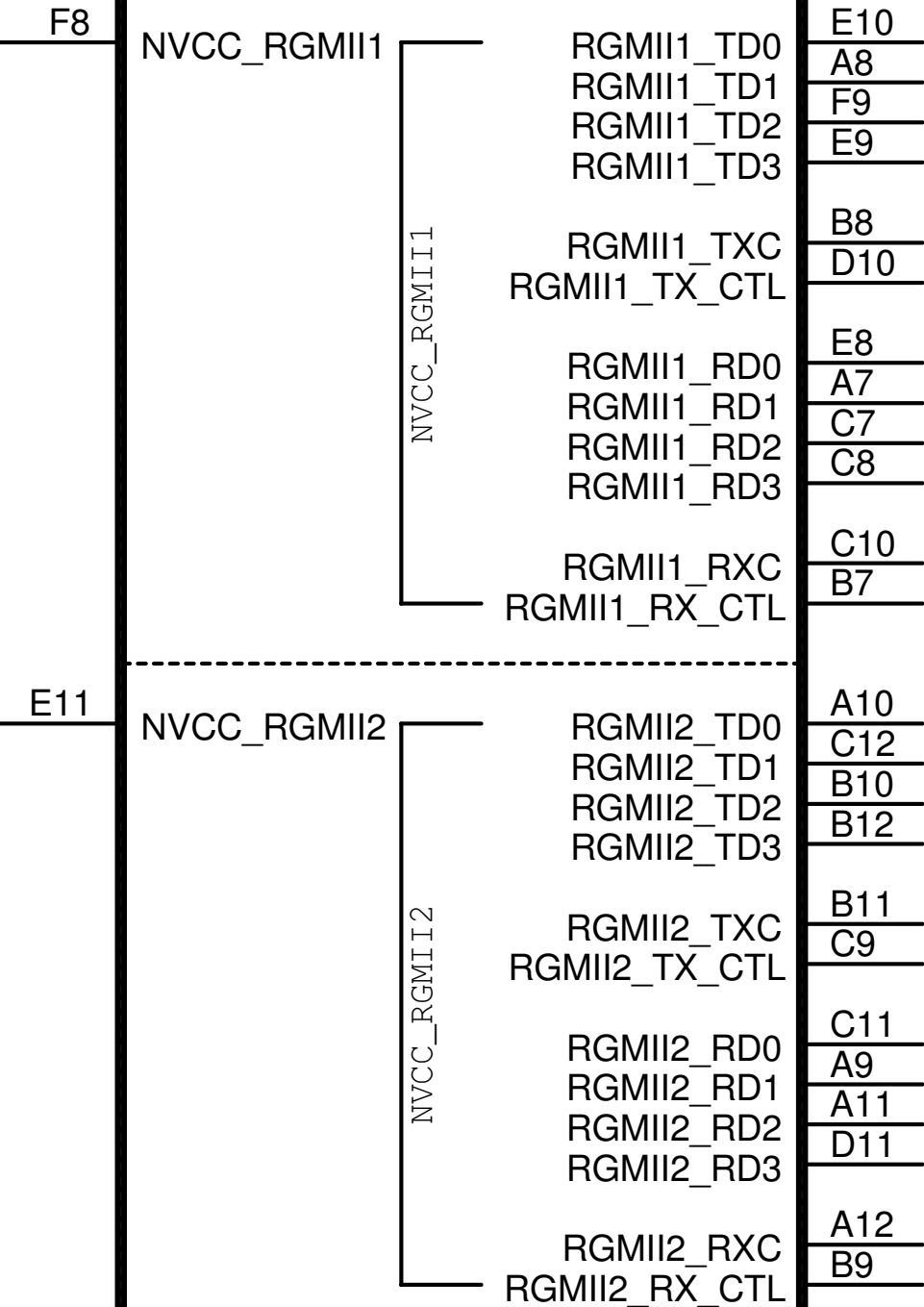
# i.MX6SX ADC & DAC



<Value>

U?G

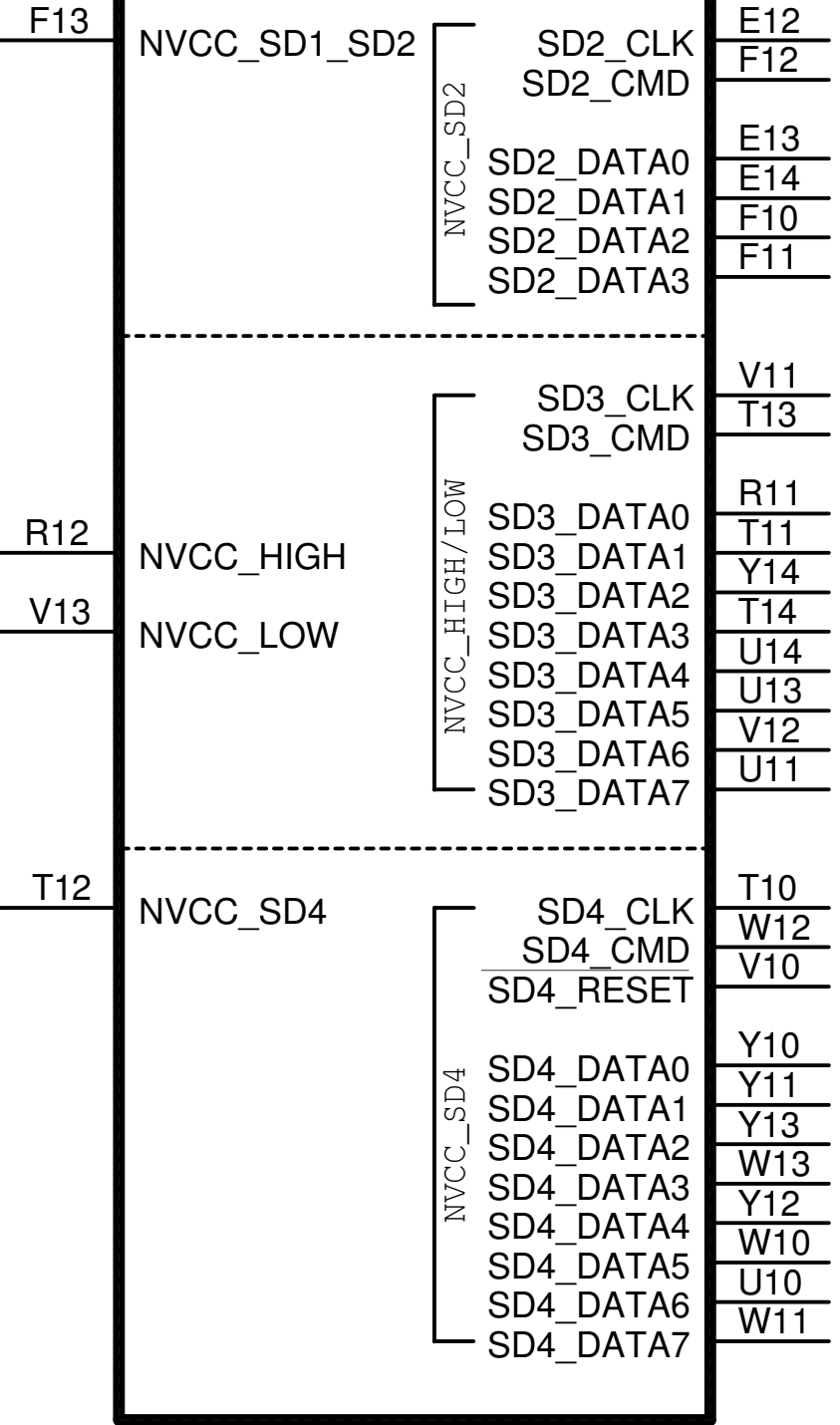
# i.MX6SX - RGMII



<Value>

U?H

# i.MX6SX - SD



<Value>



U?|

# i.MX6SX - ENET

F6

NVCC\_ENET

NVCC\_ENET

ENET1\_MDC  
ENET1\_MDIO

ENET1\_COL  
ENET1\_CRS

ENET1\_TX\_CLK  
ENET1\_RX\_CLK

ENET2\_COL  
ENET2\_CRS

ENET2\_TX\_CLK  
ENET2\_RX\_CLK

B6

A6

B5

C6

F7

A5

E7

E6

D5

E5

<Value>

U?J

# i.MX6SX - NAND

R6

NVCC\_NAND

NVCC\_NAND

NAND\_CE0  
NAND\_CE1

U7

T8

NAND\_ALE  
NAND\_CLE

W6

R7

NAND\_RE  
NAND\_WE

U8

T7

NAND\_WP  
NAND\_READY

V7

Y6

NAND\_DATA00  
NAND\_DATA01  
NAND\_DATA02  
NAND\_DATA03  
NAND\_DATA04  
NAND\_DATA05  
NAND\_DATA06  
NAND\_DATA07

V6

W8

Y7

U5

W7

T5

Y8

T6

<Value>

U?K

# i.MX6SX - QSPI

F14

NVCC\_QSPI

NVCC\_QSPI

QSPI1A\_SS0  
QSPI1A\_SS1  
QSPI1A\_SCLK  
QSPI1A\_DQS

QSPI1A\_DATA0  
QSPI1A\_DATA1  
QSPI1A\_DATA2  
QSPI1A\_DATA3

QSPI1B\_SS0  
QSPI1B\_SS1  
QSPI1B\_SCLK  
QSPI1B\_DQS

QSPI1B\_DATA0  
QSPI1B\_DATA1  
QSPI1B\_DATA2  
QSPI1B\_DATA3

C17

B17

B16

A13

E15

C15

D14

A18

C14

B15

B14

B13

A15

A14

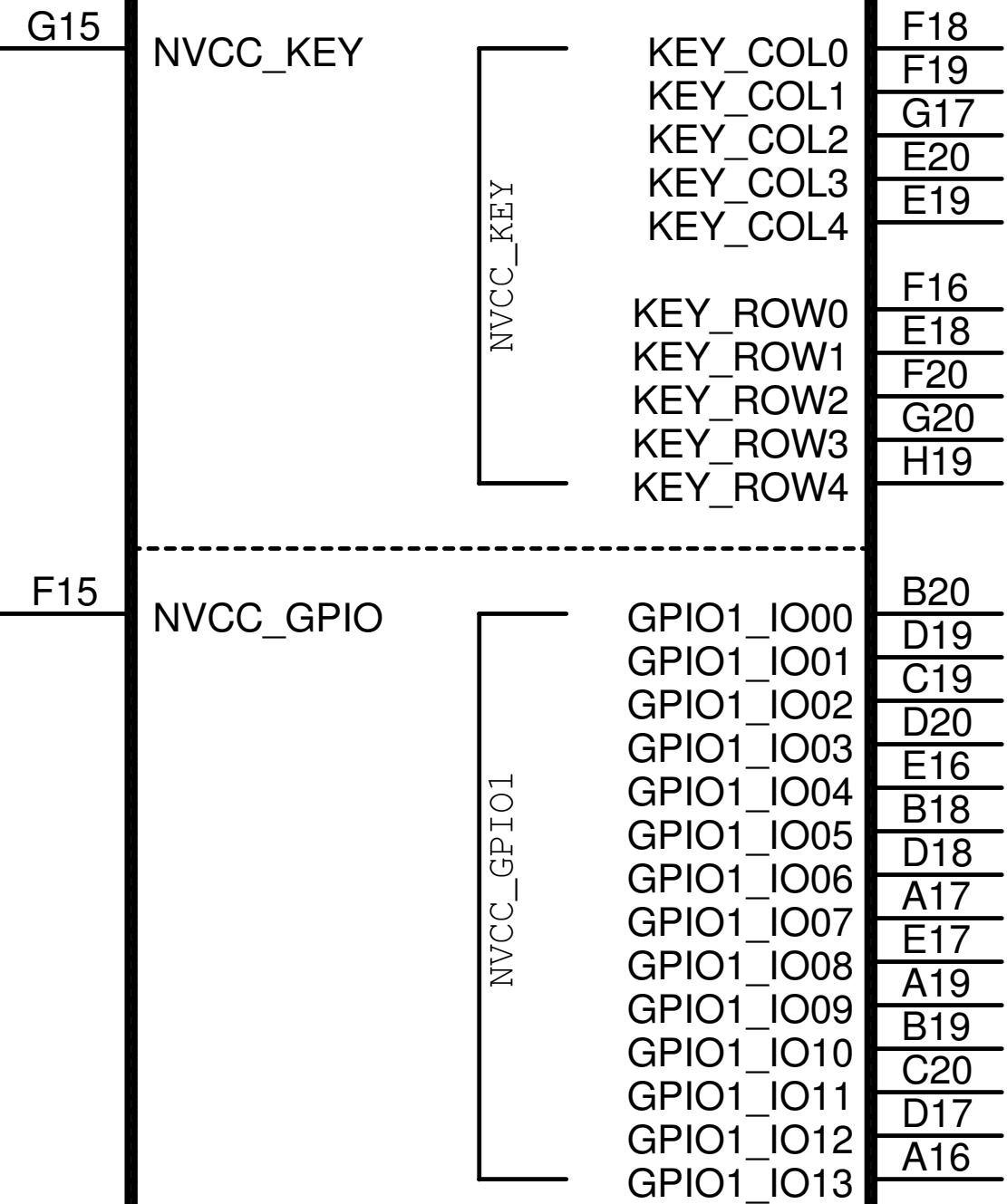
C13

D13

<Value>

U?L

# i.MX6SX - GPIO



<Value>