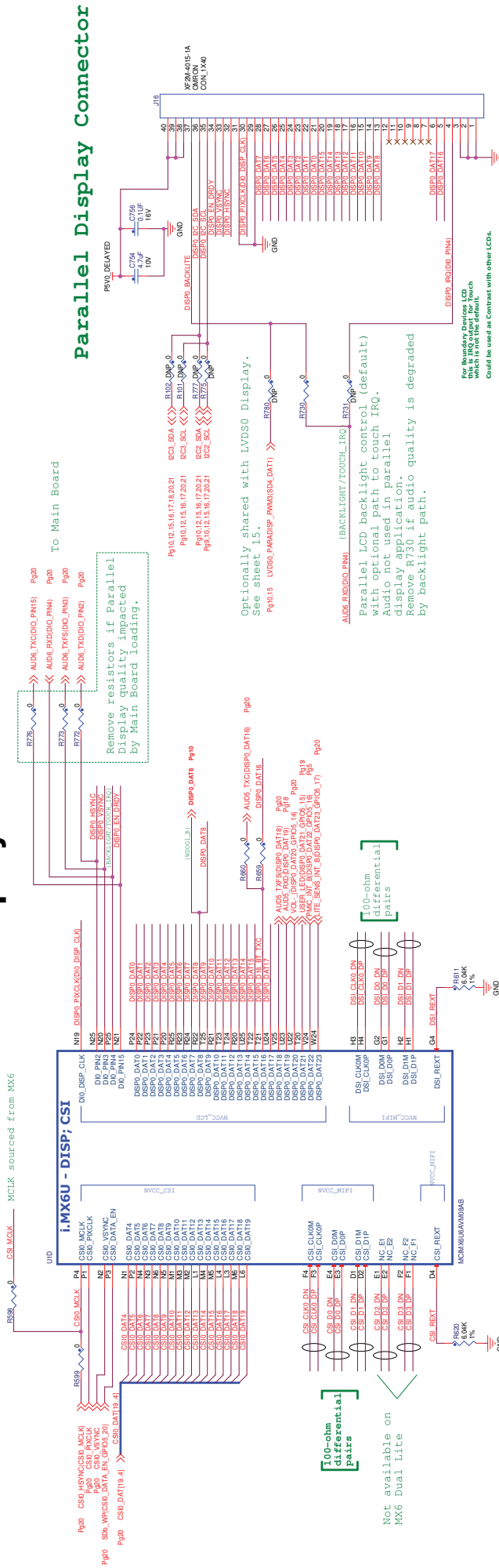


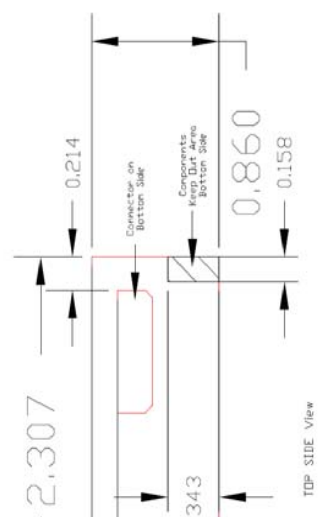
# Display Connectors



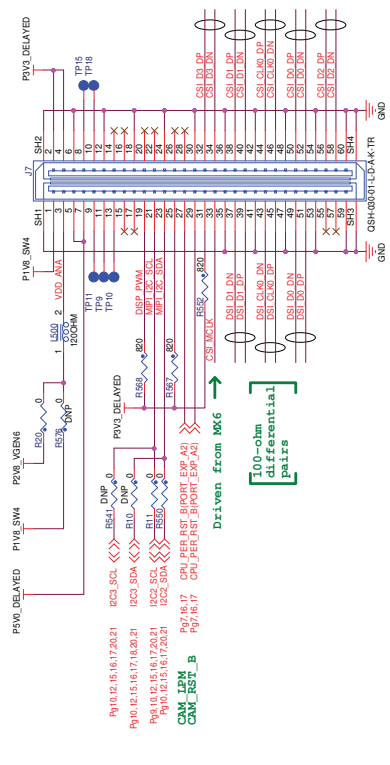
Compatible 7" 800 x 480 LCD and software driver available from Boundary Devices. If touch is desired, order the LCD with I2C pull-ups removed.

Email: [info@boundarydevices.com](mailto:info@boundarydevices.com)

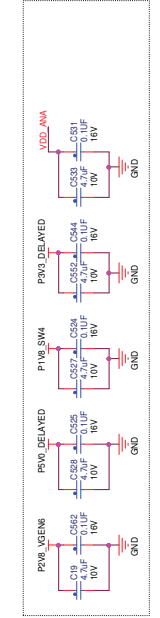
Suggested form factor for MIPI Card without cable use (All units are in inches).



## MIPI Connector



Analog Devices ADV7280 SD video decoder card may be used with cable. Contact ADI for more information. Not directly compatible with Freescale MIPI Display and Camera Board due to mechanical clearance.



**freescale**

Doc ID: 5208

MCIMX6DLAICPU1

Parallel Display, MIPI port

Rev A