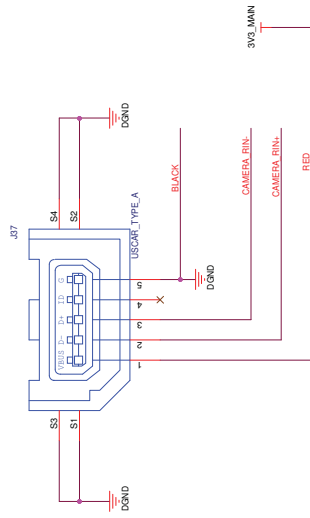
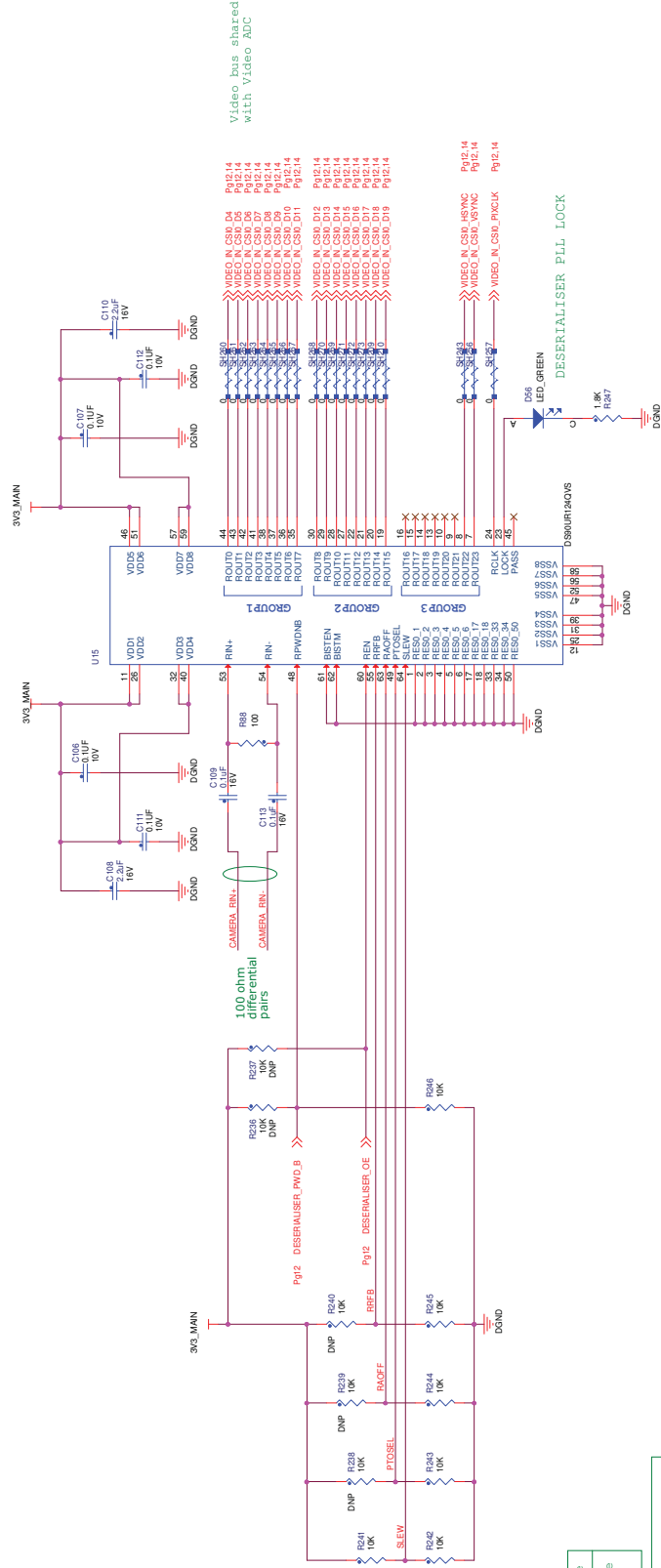


Deserialiser for Rear Camera

NOT FOR USB FUNCTION
 Add a note on the silkscreen to avoid confusion with USB.



CAUTION
 JF1 of National Serializer eval board must be removed if that board is supplied with 3V3 already.



RRFB - Receiver clock edge	Place R138
Rising edge	Place R137
Falling edge	Place R137
RAOFF - Randomizer_Control	Place R135
DS90C241 Random mode	New Random mode Place R134
PTOSEL - Progressive Turn On	Place R133
Grouped mode	Place R132
SLEW - Slew Rate Control	Place R131
Low drive 2mA	High drive 4mA Place R131