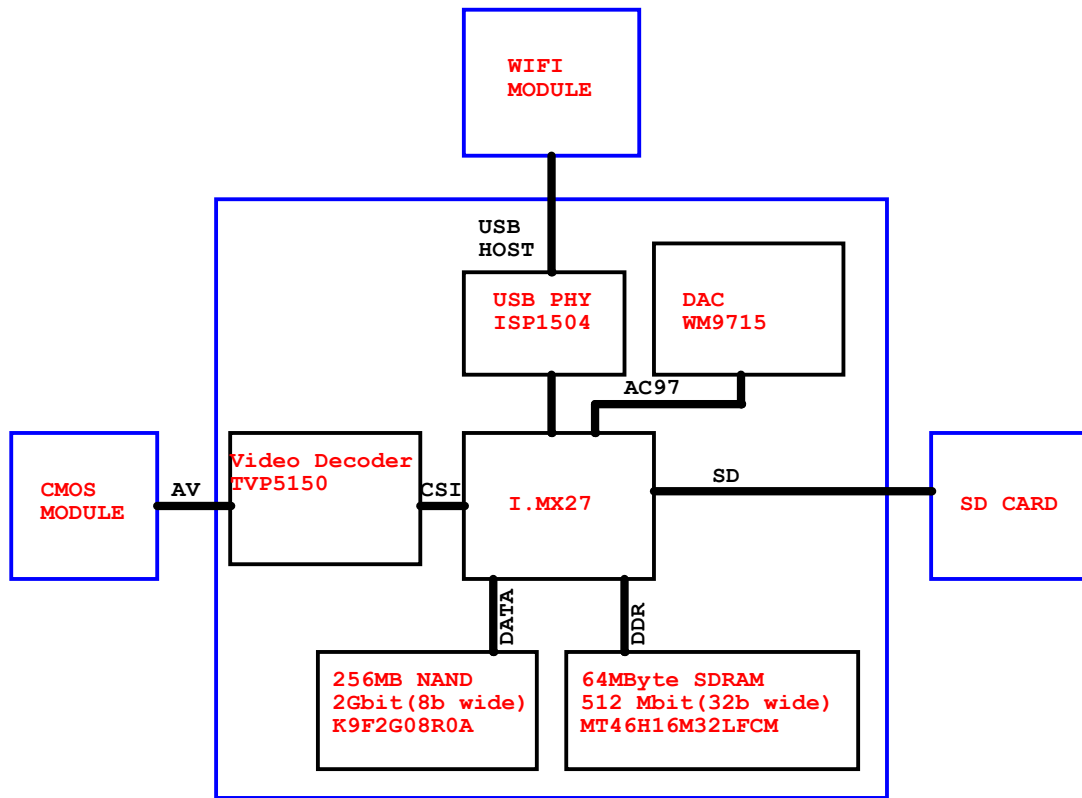


PAGE DESCRIPTION

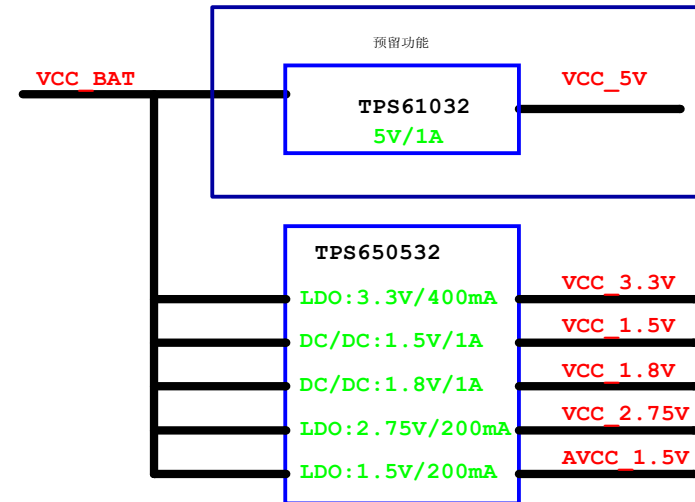
- 01.DOCUMENT DESCRIPTION
- 02.BLOCK AND POWER MAP
- 03.POWER
- 04.MCU
- 05.MIC
- 06.SD CARD
- 07.USB

Revision History

大连奇东科技有限公司		
Title		
<Document Description>		
Size	Document Number	Rev
B	<Doc>	
Date: Monday, November 12, 2012		

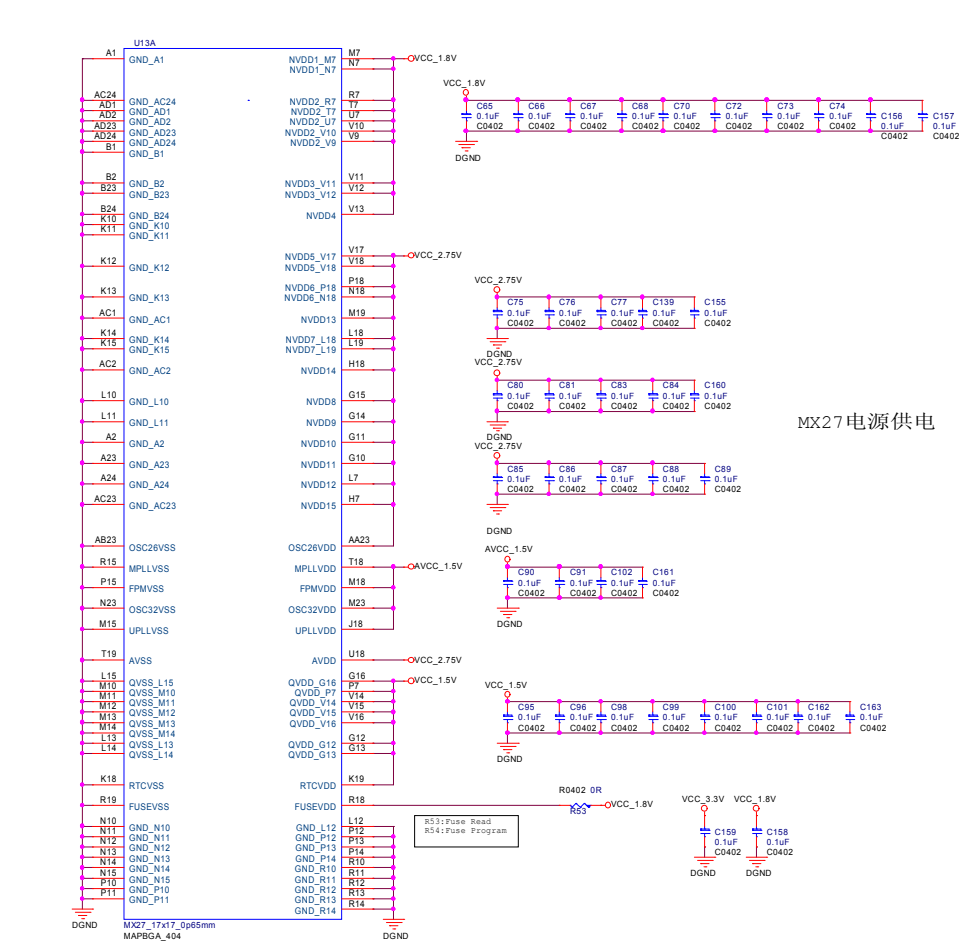
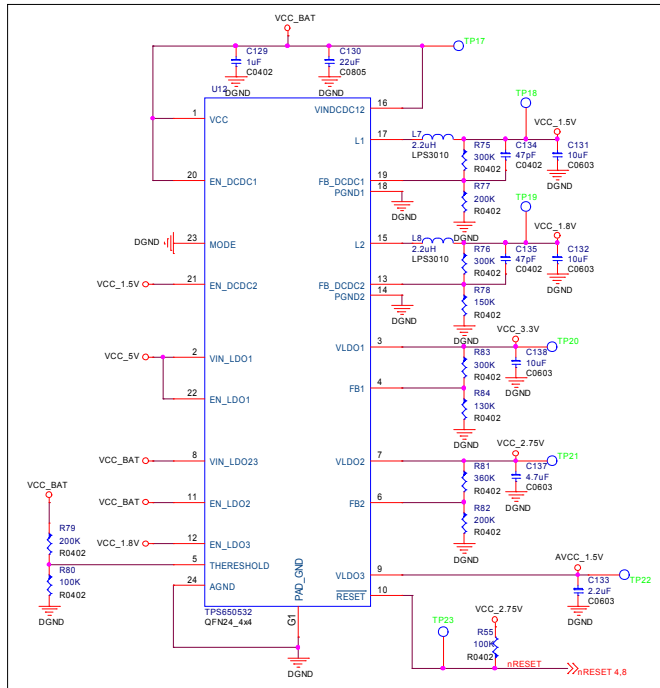
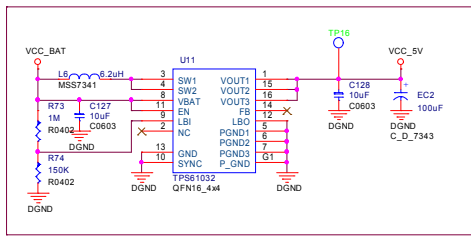


Block



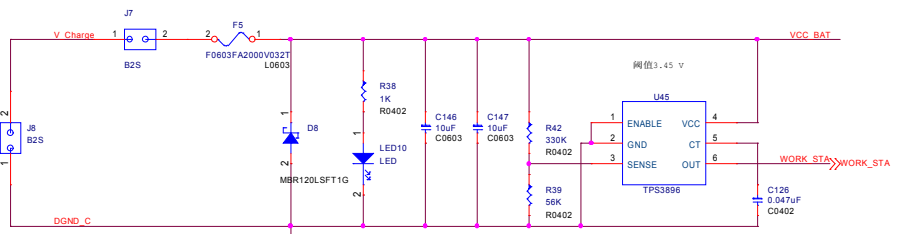
Power map

大连奇东科技有限公司		
Title <Block and Power map>		
Size B	Document Number <Doc>	Rev
Date:	Monday, November 12, 2012	



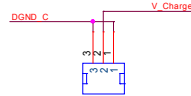
MX27 电源供电

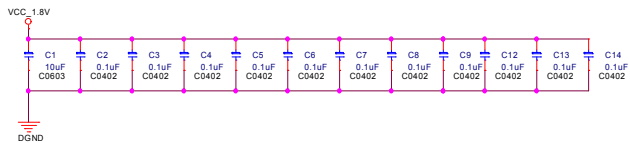
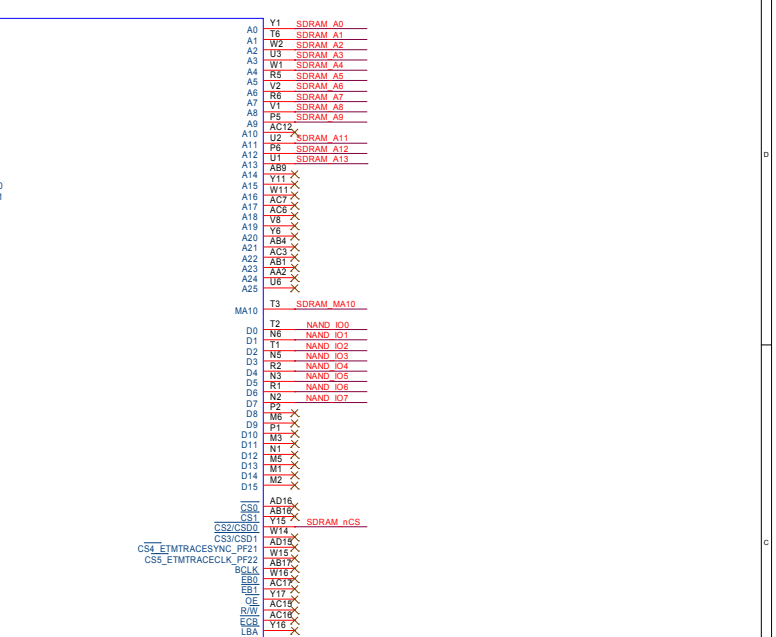
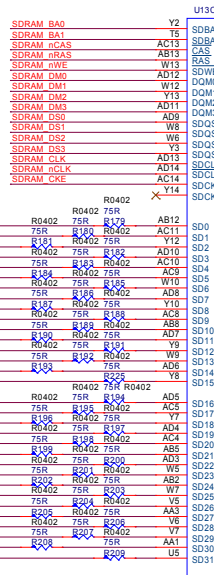
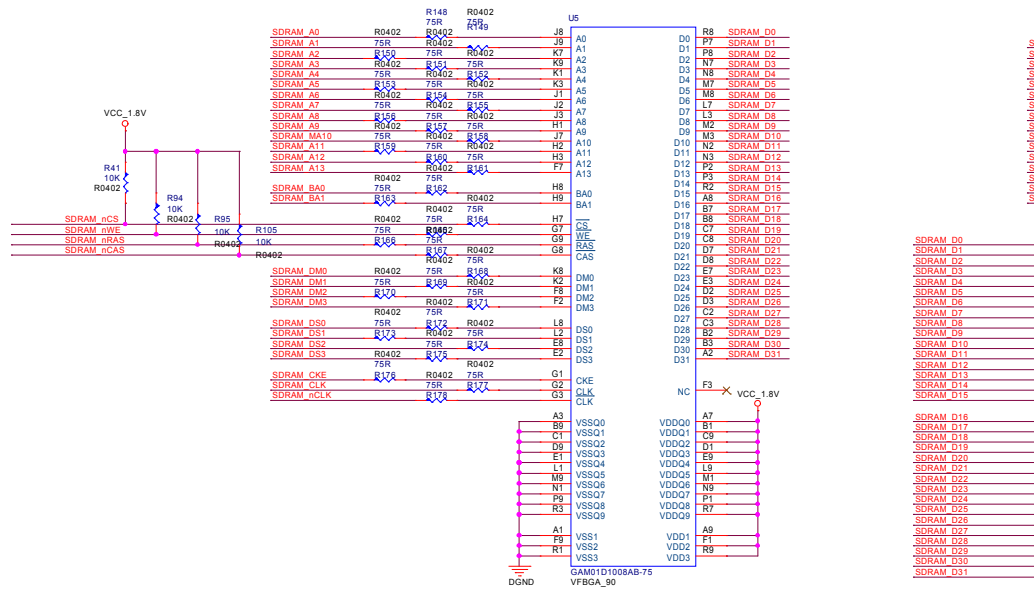
充电口及电池接口电路



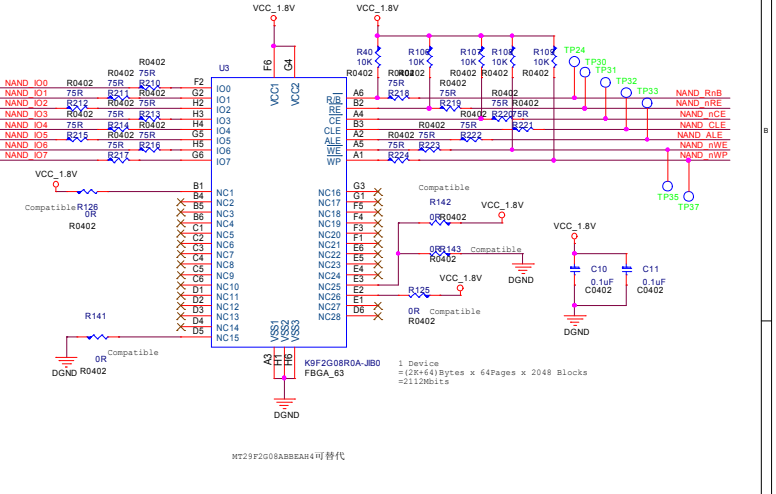
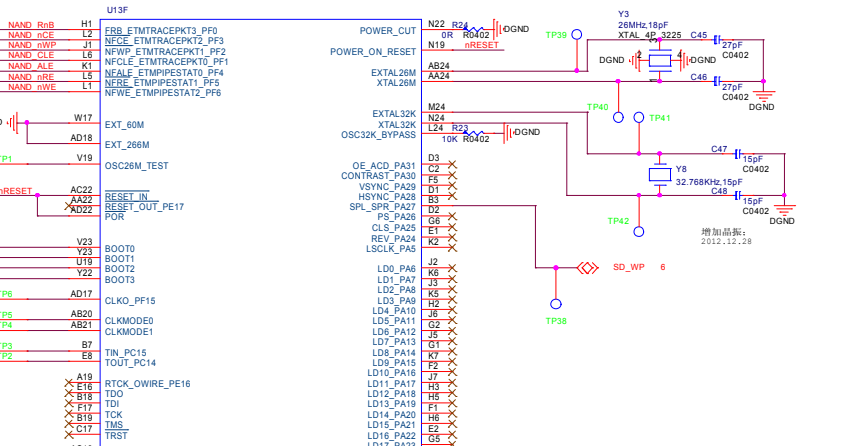
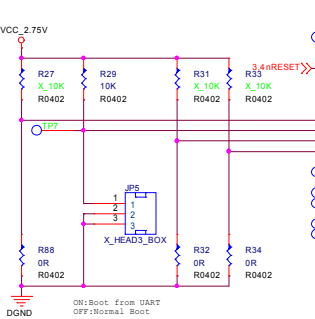
充电口

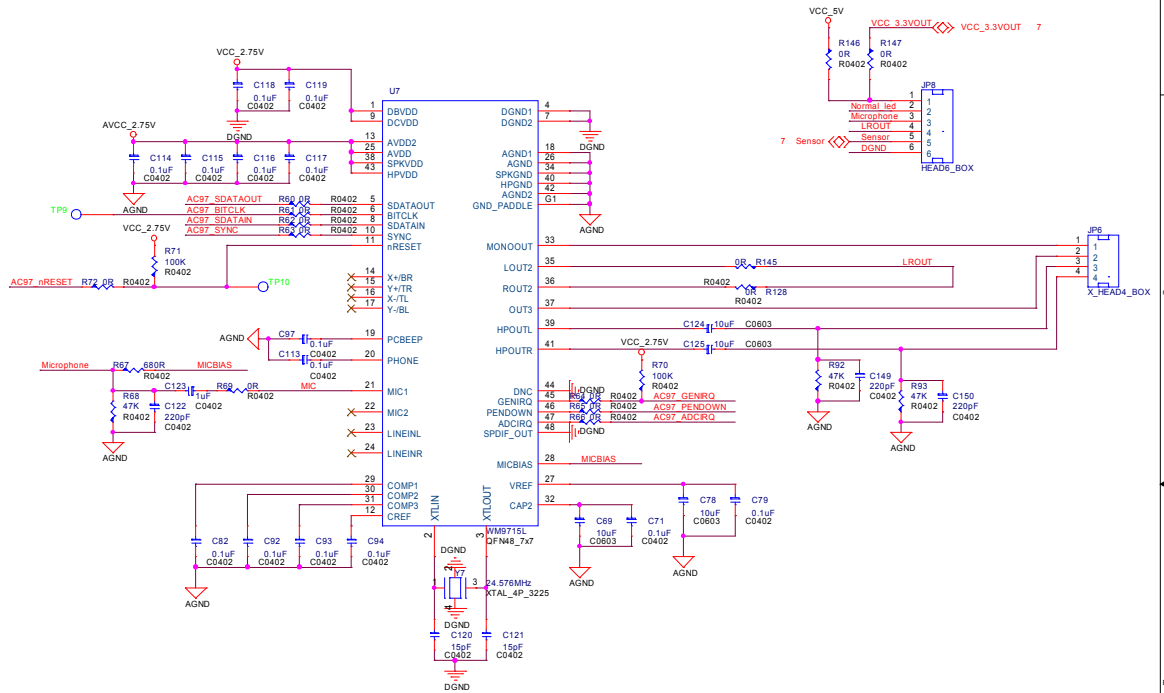
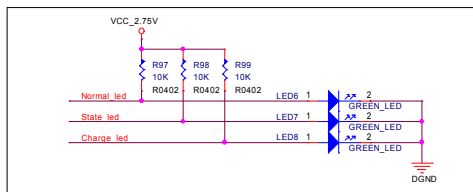
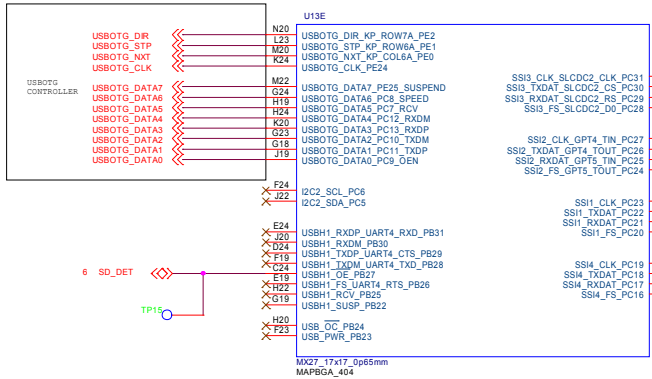
电池正负极焊点





BOOT[3:0]	Boot Mode
0000	Bootstrap USB/UART
0010	8bit 256 NAND
0011	16bit 256 NAND
0100	16bit 512 NAND
0101	16bit NOR(CS0)
0110	Reserved
0111	8bit 512 NAND





附件单独成板：  
2013.1.5

