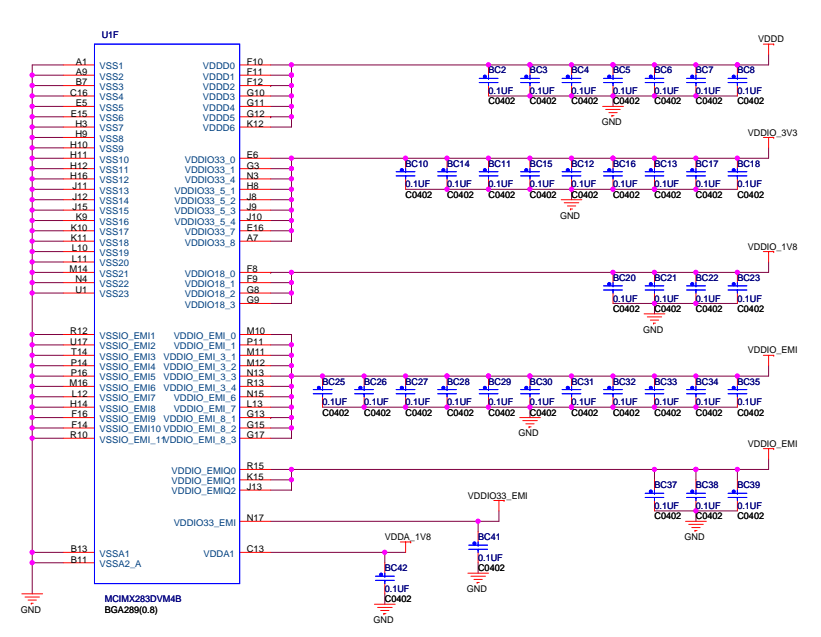


CRYSTAL 변경 => SX8

### DC-DC & JTAG & ADC



### CPU Power

