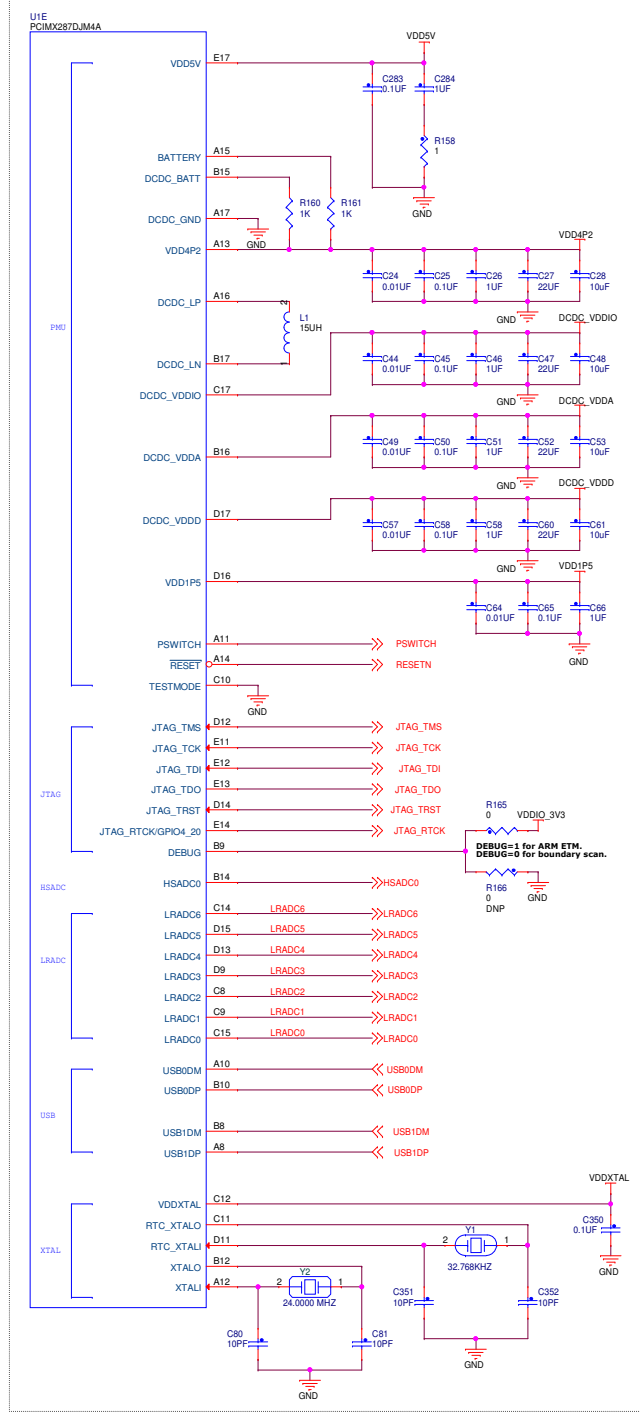
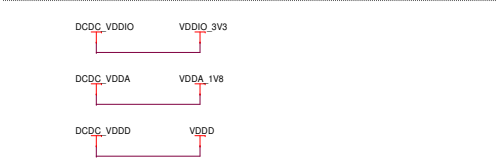
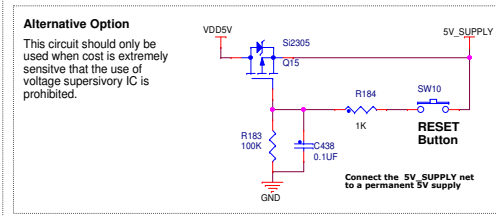
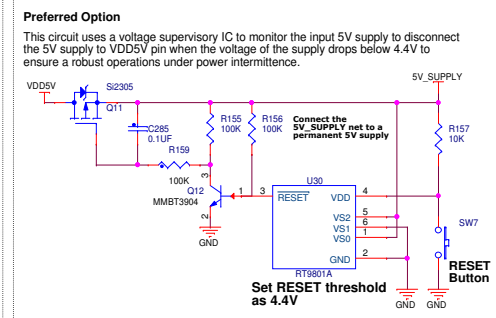


Permanent Power Supply using VDD5V Source Only

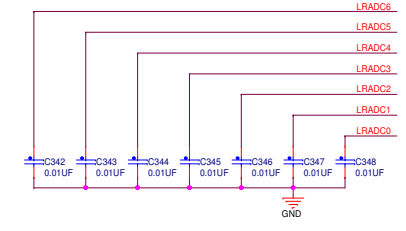
i.MX28 DC-DC / Power Management and Analog



RESET CIRCUIT OPTIONS



NOTE: If using a device with an impedance greater than a few kOhms (such as a Touchpanel), the filter capacitors on the LRADC channels may be reduced to 5pF. These smaller capacitors reduce the settling time, which reduces the amount of time the processor must wait to take an accurate reading. These filter capacitors should be placed close to the i.MX28.



IMPORTANT CRYSTAL DESIGN NOTES

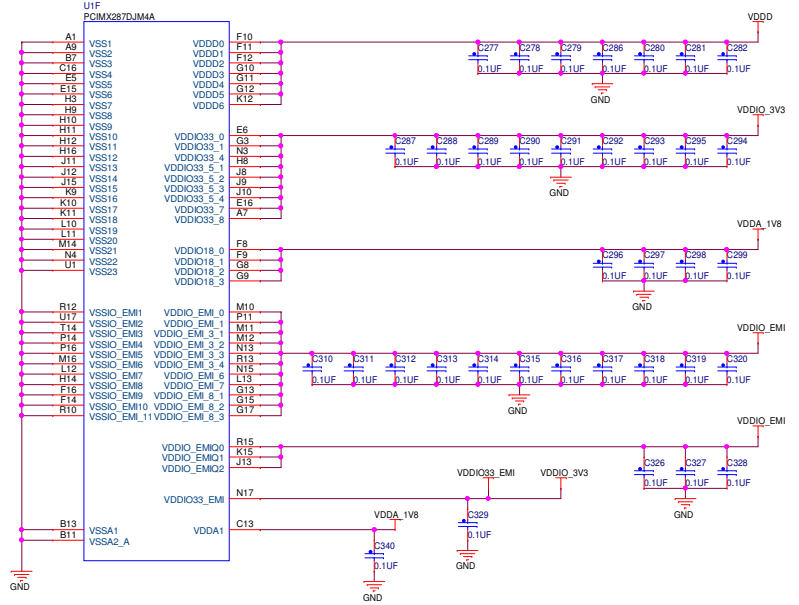
The 24 MHz crystal should be located close to the i.MX28. Consult crystal manufacturer datasheet for recommended load capacitor values (typically 10-18pF).

$$\text{Load} = [(C80 \cdot C81) / (C80 + C81)] + C_{\text{stray}}$$

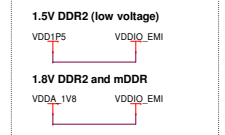
where Cstray = stray PCB capacitance, typically 4 - 6 pF

Note: For Microsoft DRM applications use a 30 ppm crystal.

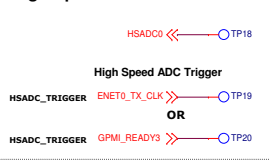
i.MX28 CPU Power Inputs



EMI / DRAM Power Connections



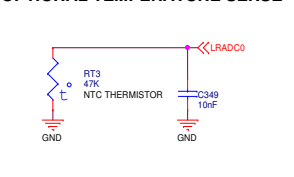
High Speed ADC Test Points



IMPORTANT LAYOUT DESIGN NOTES

- 1) The crystals should be placed as close as possible to the i.MX28.
- 2) For best USB jitter performance, the VDDXTAL capacitor and the crystal load capacitors should NOT connect to the ground plane near the DRAM bus routing and grounds. These ground connections should preferably be close to the VSSA1 ground pin.
- 3) All DCDC input & output capacitors should be located close to the i.MX28.

OPTIONAL TEMPERATURE SENSE



		Multimedia Applications Division	
		<small>This document contains information proprietary to Freescale Semiconductor and shall not be used for engineering design, procurement or manufacture in whole or in part without the express written permission of Freescale Semiconductor.</small>	
Drawing Title: i.MX28 REFERENCE SCHEMATICS			
Page Title: i.MX28 POWER AND ANALOG			
Size C	Document Number	N/A	Rev B
Date:	Monday, April 06, 2010	Sheet	5 of 18