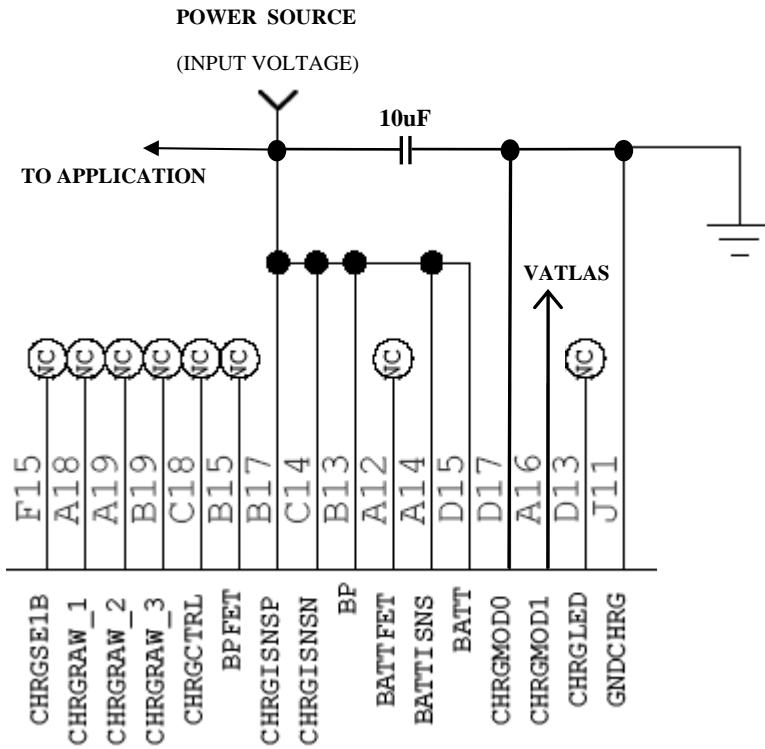


Recommended MC13783 Unused Charger Configuration (v1)



PLEASE NOTE

Parameter	Minimum	Maximum	Units
Operational input voltage range (connected to BP node)	+2.6	+4.65	V

DISCLAIMER

Freescale has only approved the above “unused charger configuration,” and therefore cannot guarantee proper operation under any other unused charger configuration.