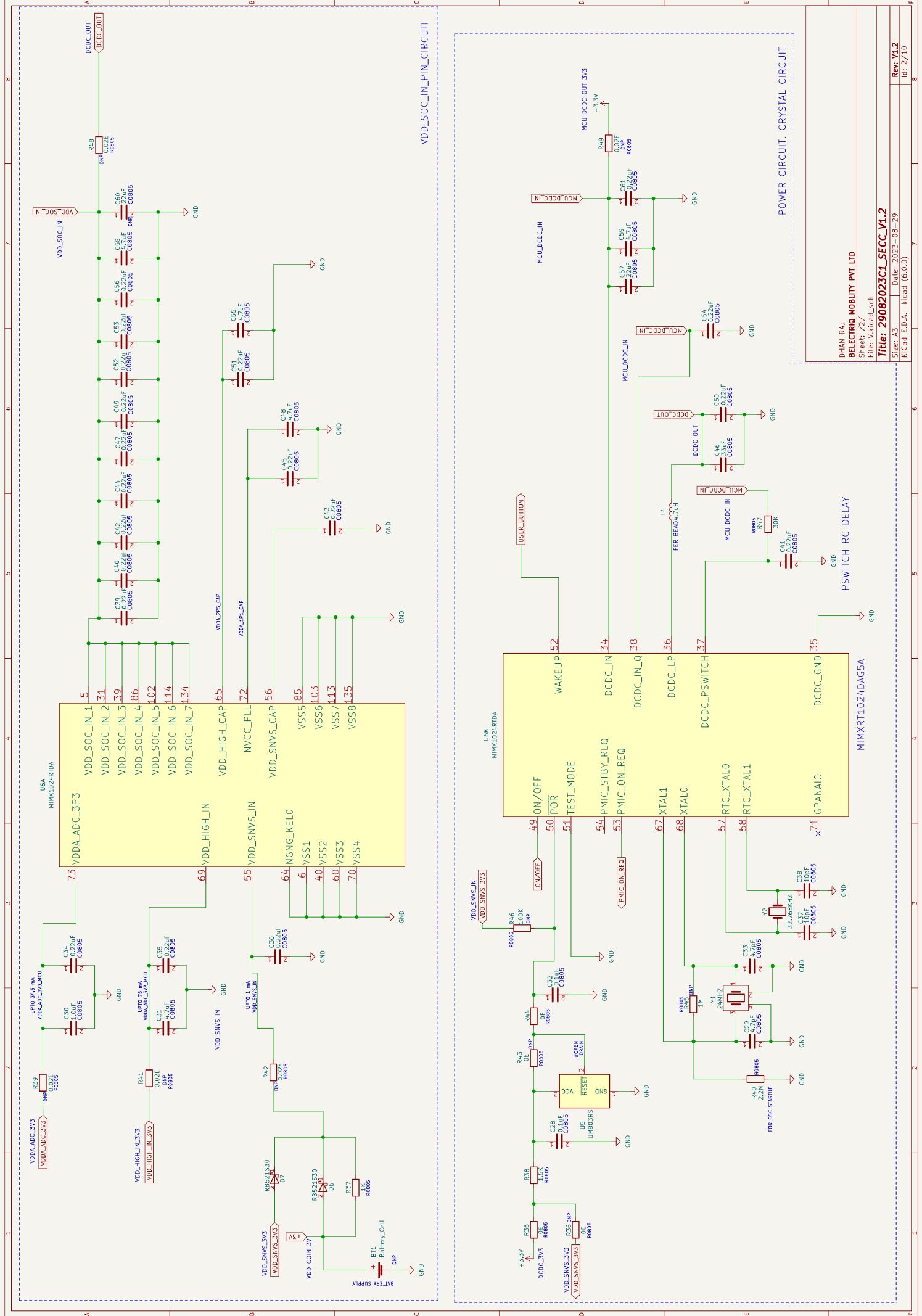


DHAN RAJ  
 BELECTRIQ MOBILITY PVT LTD  
 Sheet: 29082023CL\_SECC.V1.2.kicad.sch  
 Title: 29082023CL\_SECC.V1.2  
 Size: A3 Date: 2023-08-29  
 KICad E.D.A. Kicad (6.0.0)



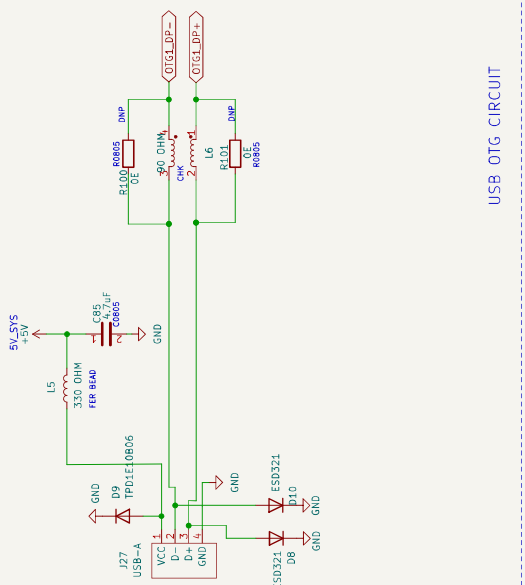
VDD\_SOC\_IN\_PIN\_CIRCUIT

POWER CIRCUIT, CRYSTAL CIRCUIT

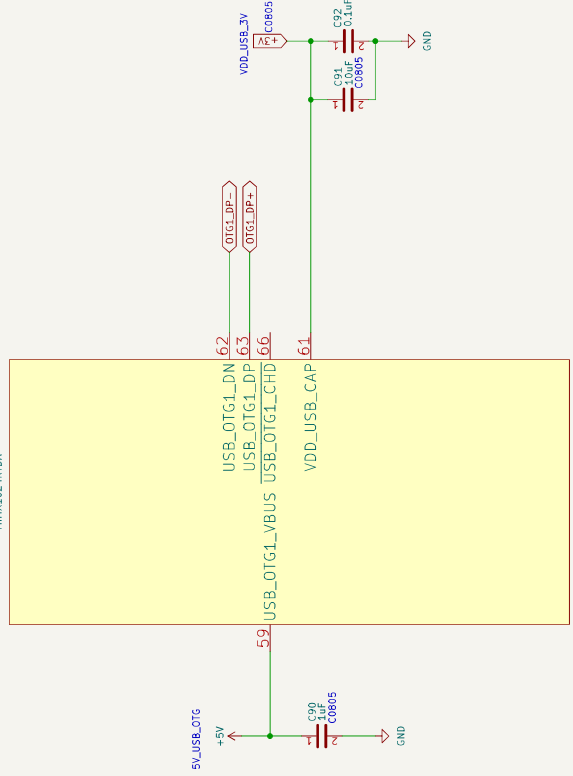
DHAN RAJ  
 BELECTRIG MOBILITY PVT LTD  
 Sheet: 77/  
 File: V.kicad.sch  
**Title: 29082023C1\_SECC\_V1.2**  
 Size: A3 Date: 2023-08-29  
 Kicad E.D.A. Kicad (6.0.0)



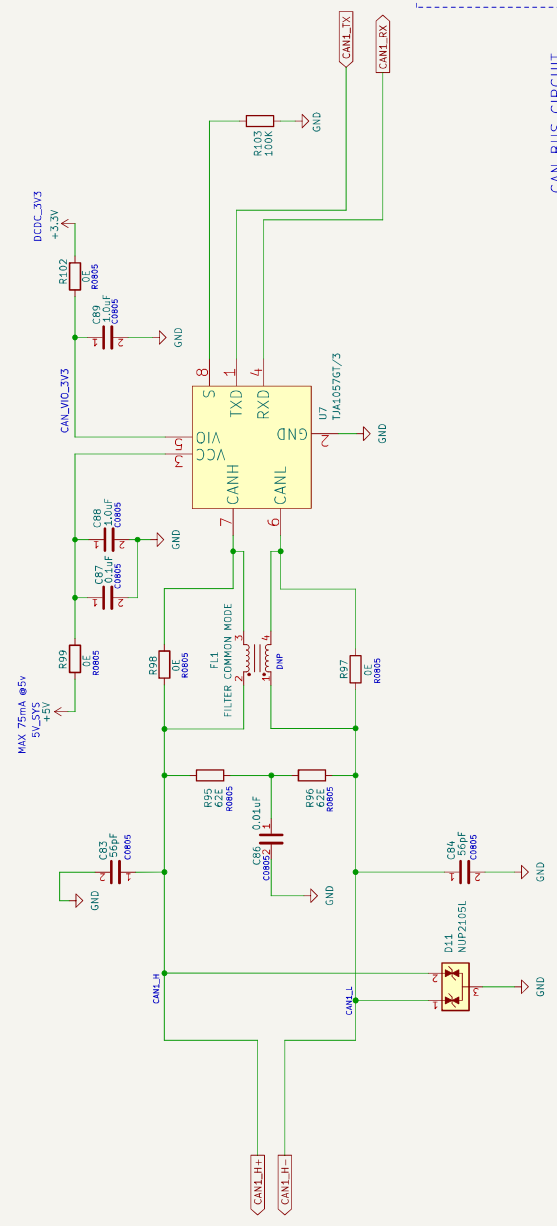
U6F  
MIMX102ARTDA



USB OTG CIRCUIT



USB\_OTG\_CIRCUIT



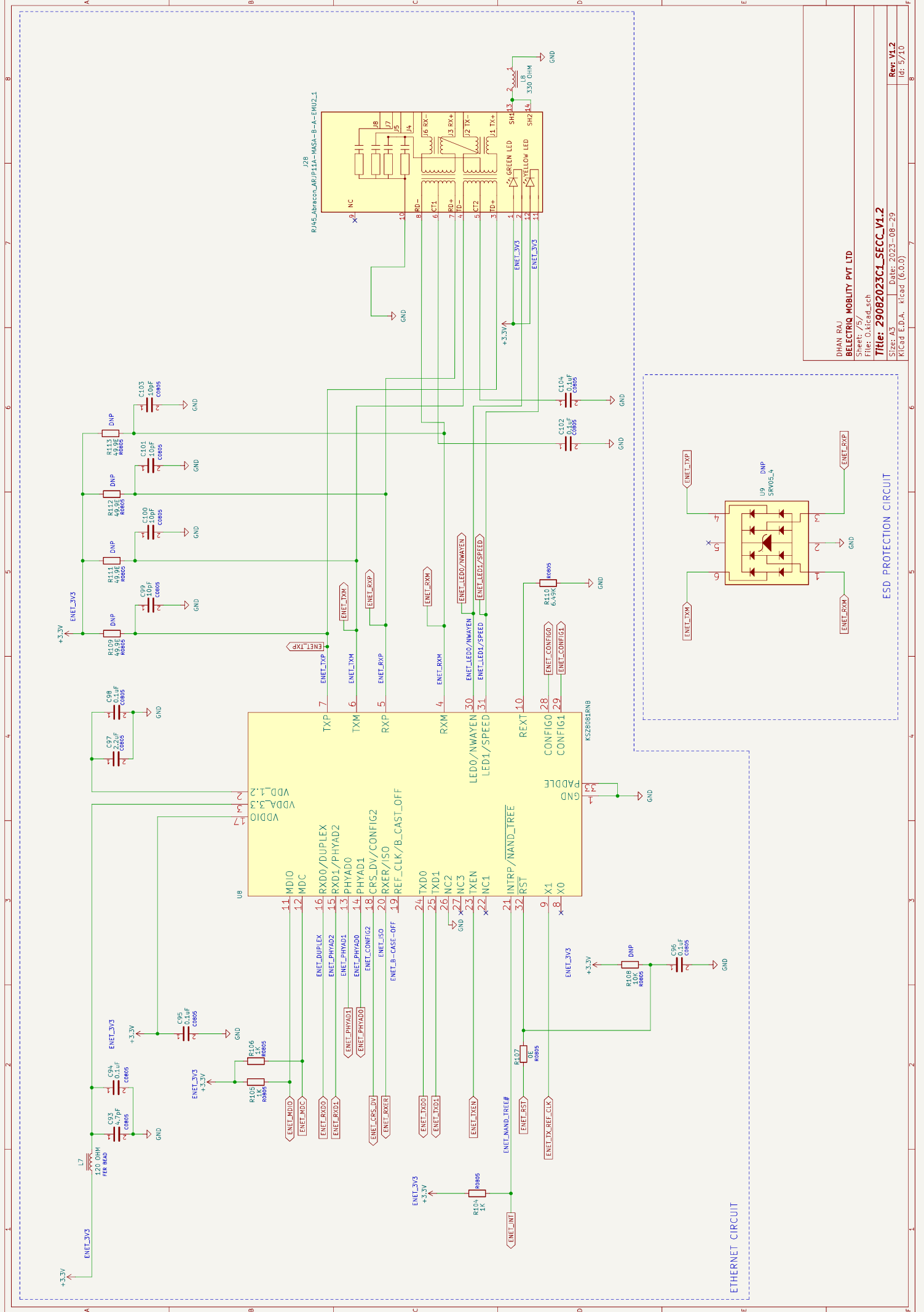
CAN BUS CIRCUIT

DHAN RAJ  
BELECTRIG MOBILITY PVT LTD  
Sheet: 44/  
File: F.kicad.sch

Title: 29082023C1\_SECC\_V1.2

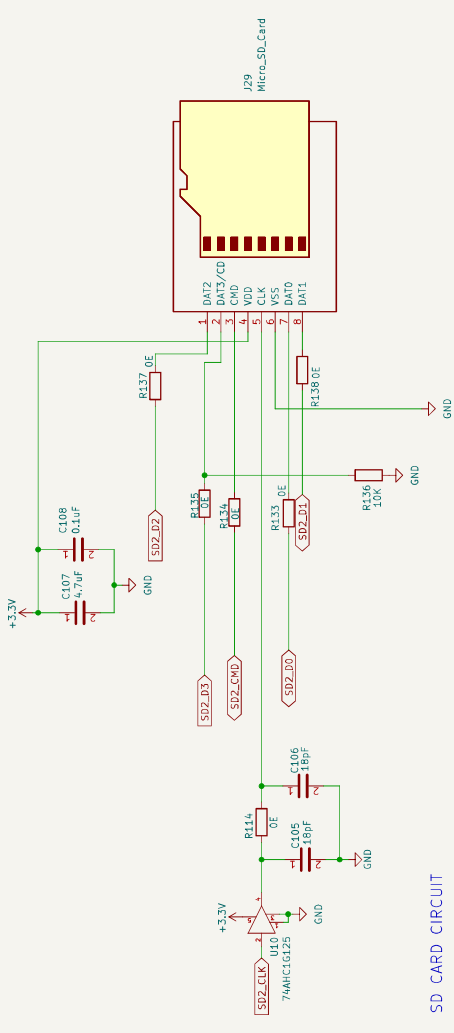
Size: A3 Date: 2023-08-29  
Kicad E.D.A. Kicad (6.0.0)

Rev: V1.2  
Id: 4/10

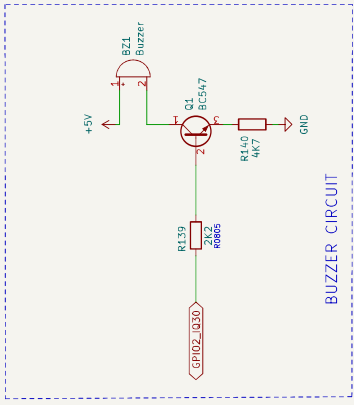


ETHERNET CIRCUIT

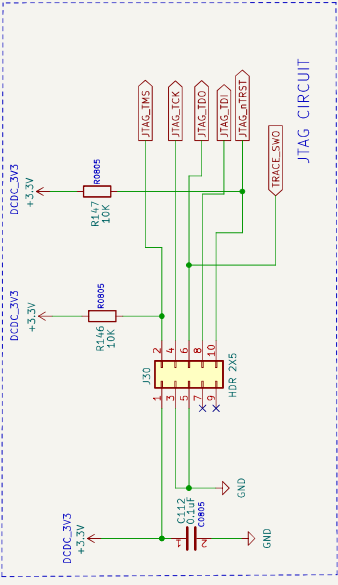
ESD PROTECTION CIRCUIT



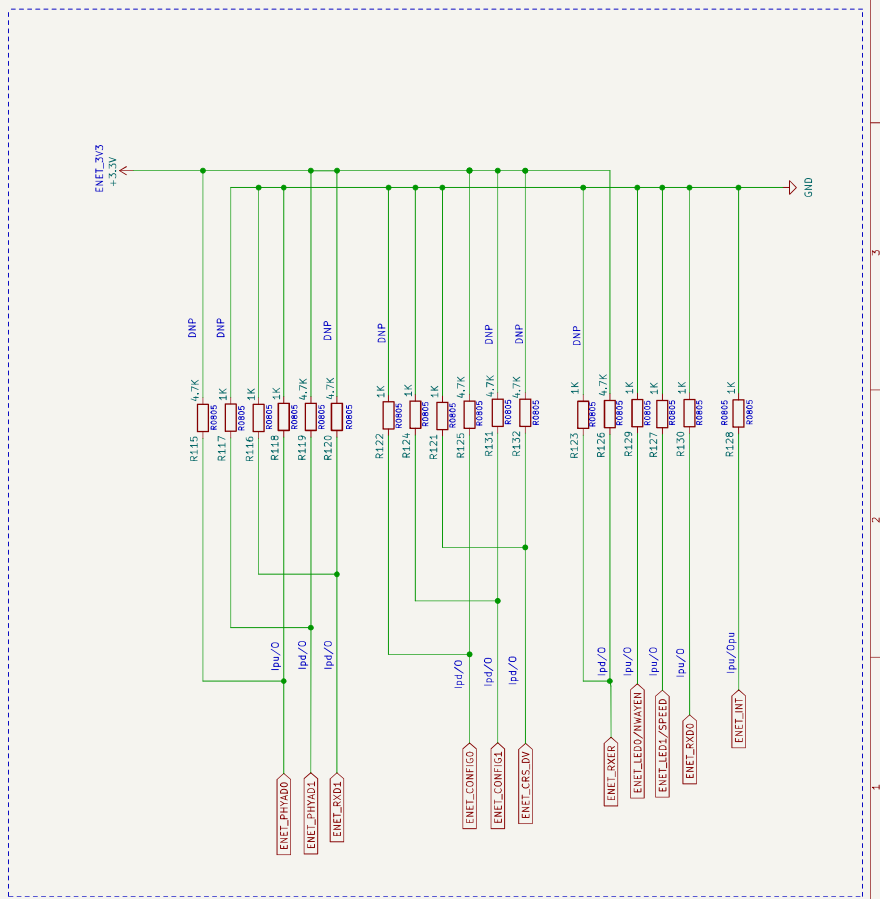
SD CARD CIRCUIT



BUZZER CIRCUIT



JTAG CIRCUIT



CAN BUS CIRCUIT