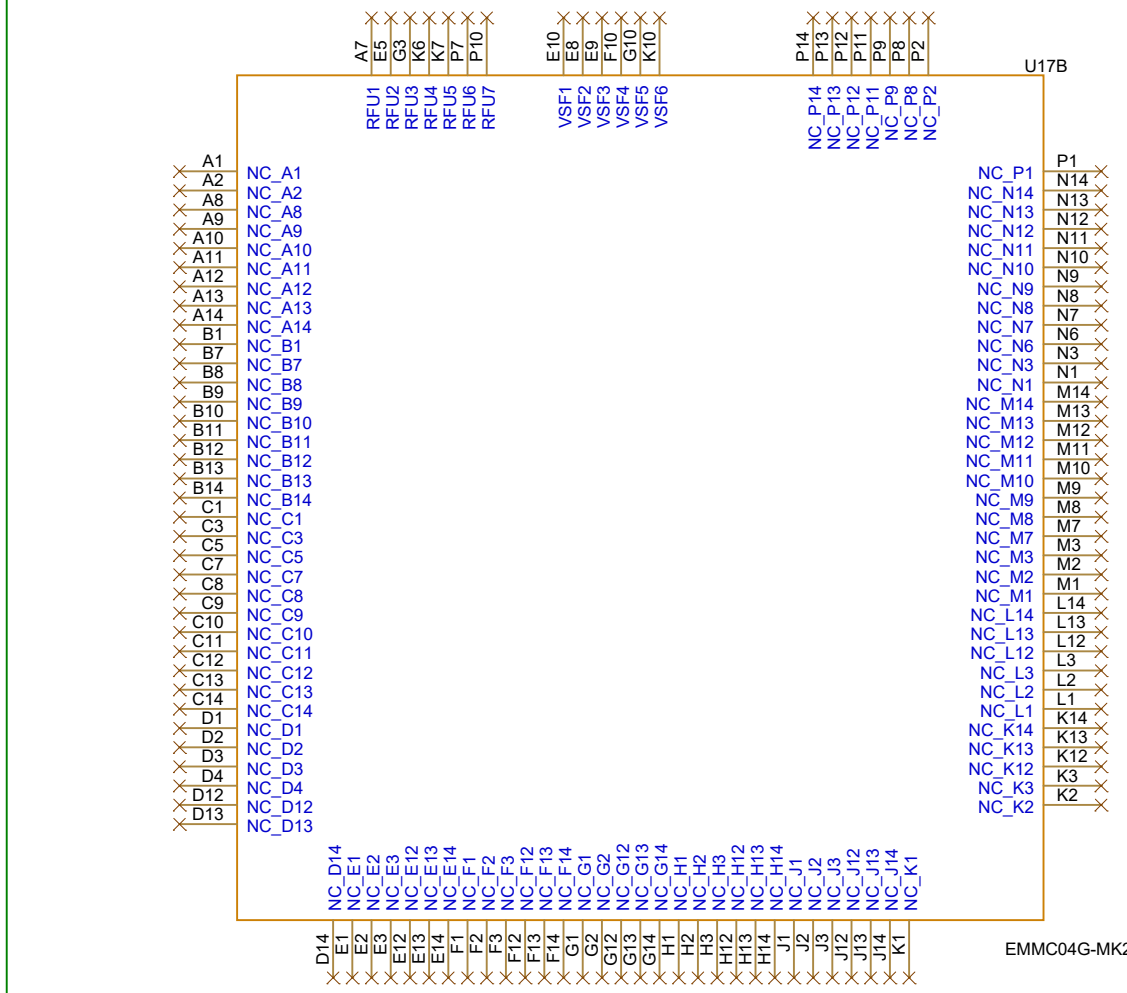
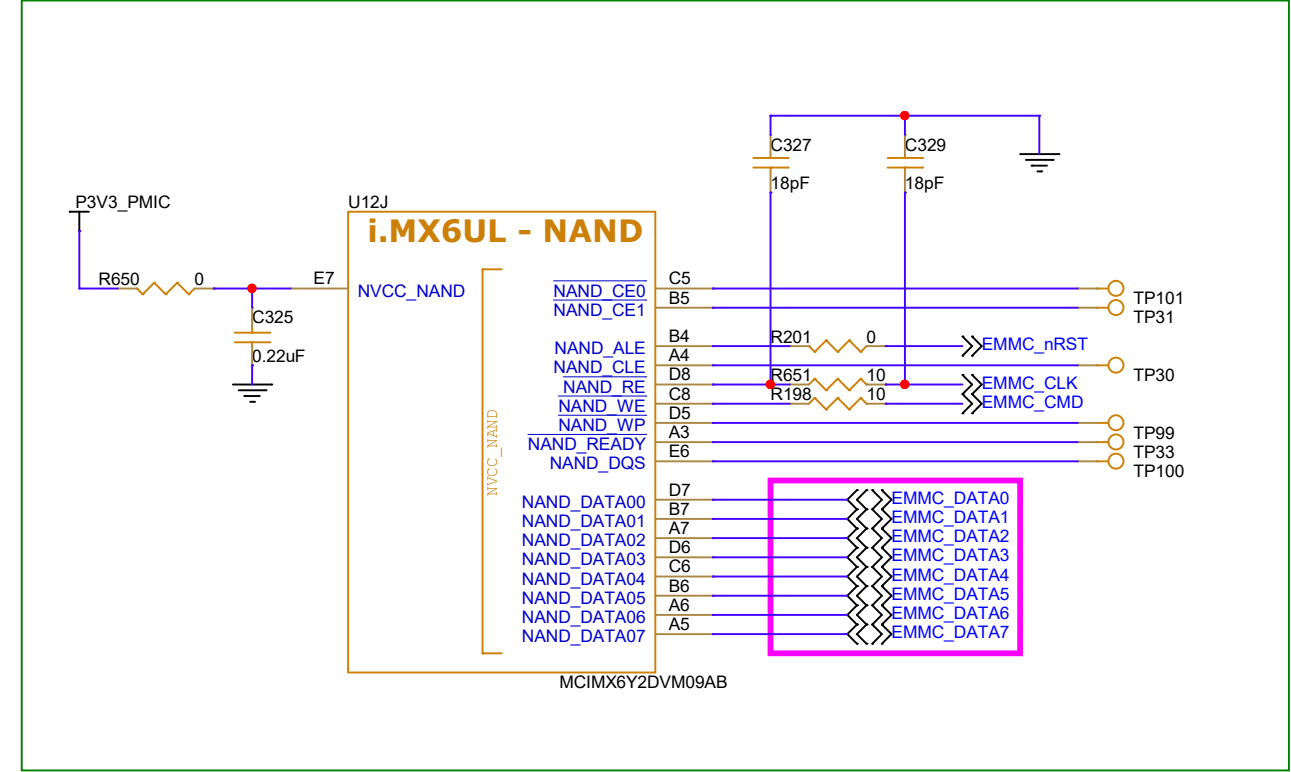
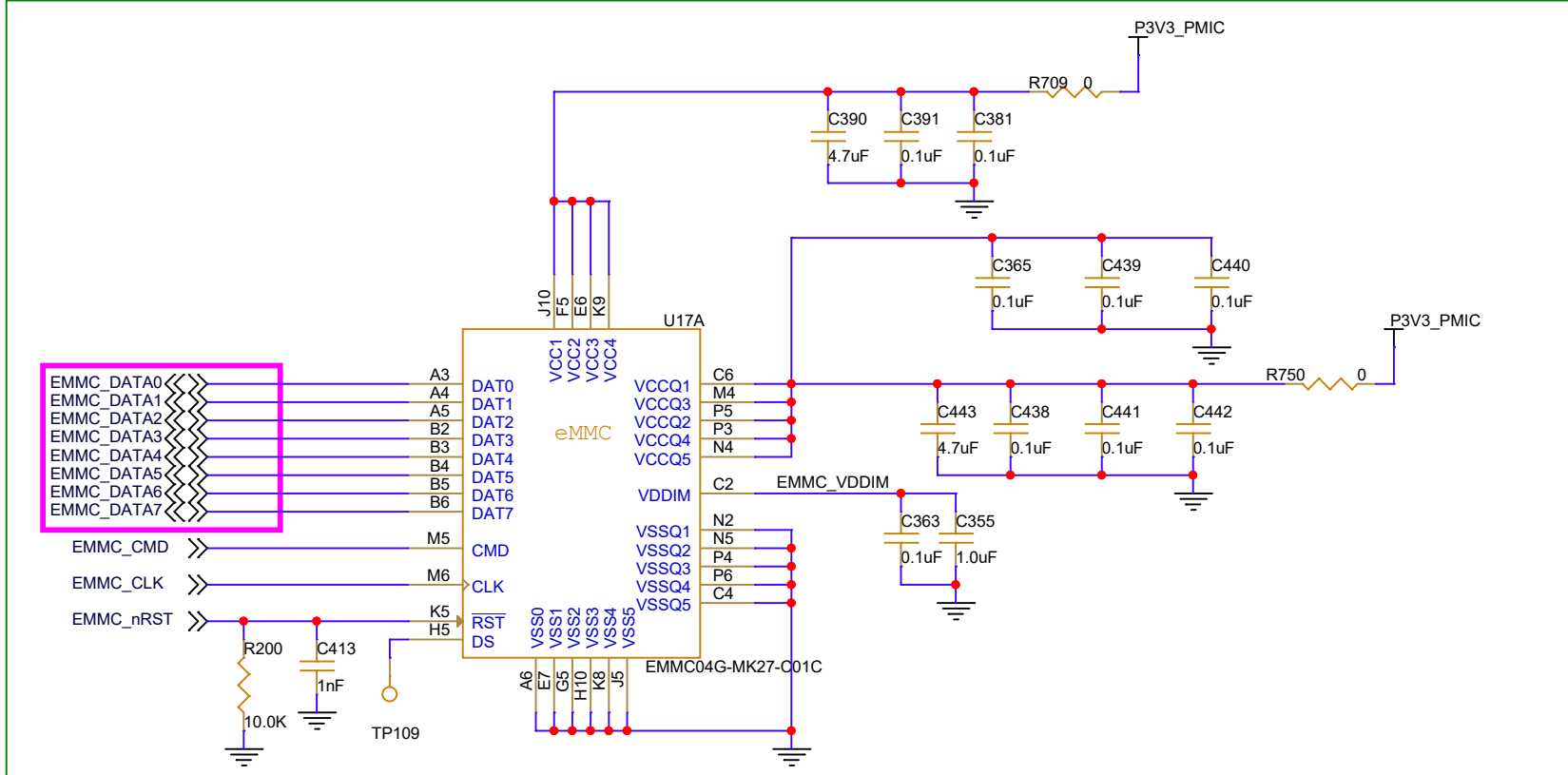
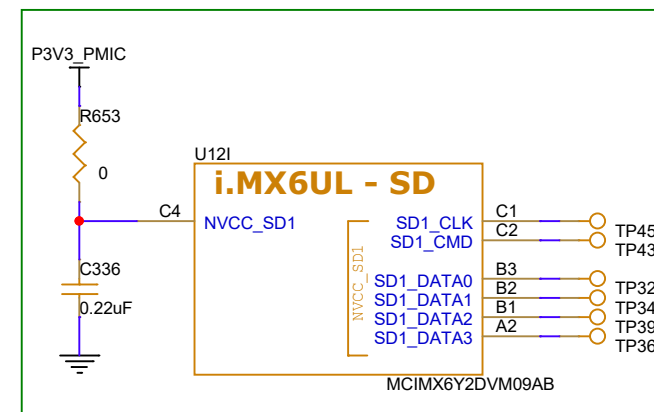
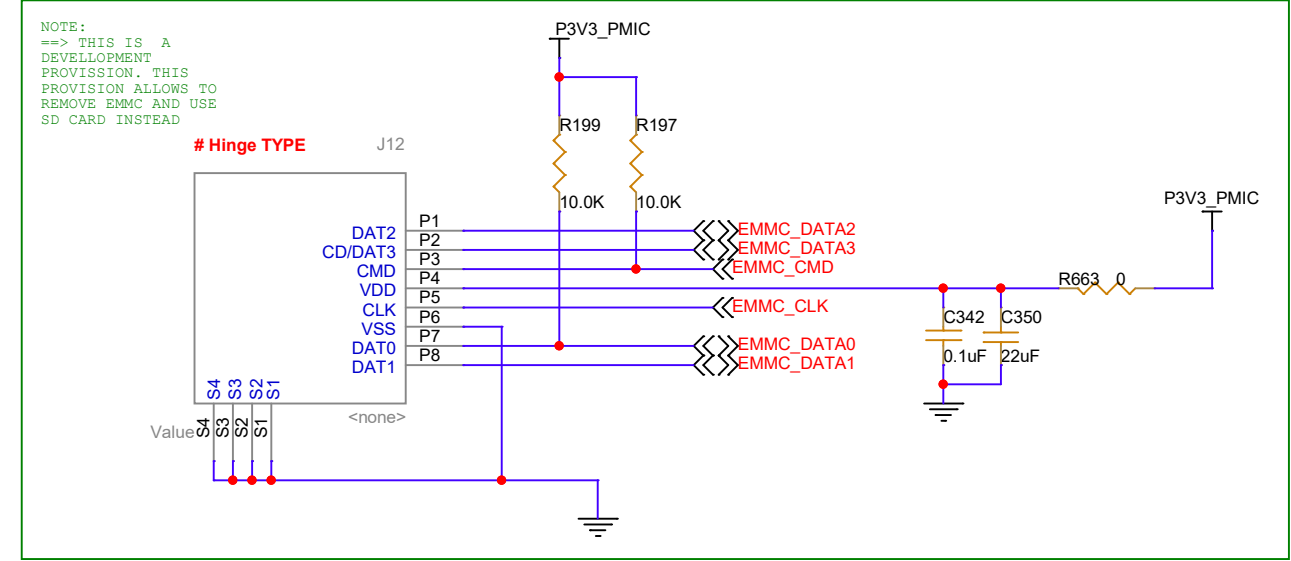


24 EMMC



NOTE:
eMMC unconnected pins grouped in "B" symbol



Base Variant

Icron Technologies Corporation		Icron	
Powered by ExtremeUSB®			
Title: 24 EMMC			
Size Custom	Document Number: 23-00327	File Name: 23-00327-A01C-SD-ANNOTATE	Rev:
Date: Monday, March 27, 2023	16:29:03	Sheet 24 of 72	