

INTEL CONFIDENTIAL

# SQUID UCP

PB: M93604-001

PBA NXP: N18531-100

PBA MICROCHIP: N18530-100

Mon Feb 20 12:15:15 2023

TITLE

DEPARTMENT

MVS HW

Intel Corporation

2200 Mission College Blvd.  
P.O. BOX 58119  
Santa Clara, CA 95052-8119

SIZE

C+

CODE

34649

DOCUMENT NUMBER

J88300-001

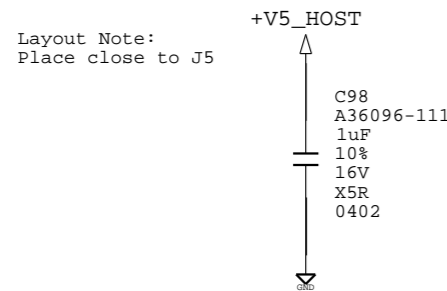
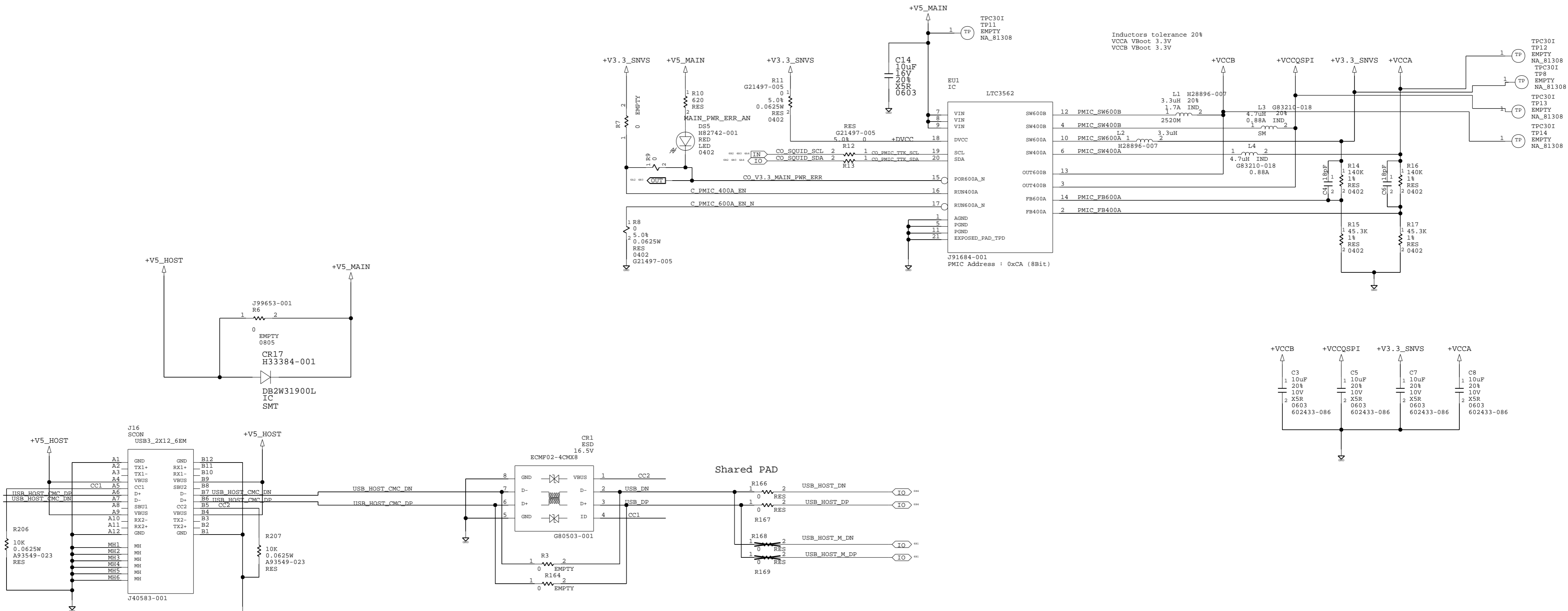
REV

0.1

SCALE:

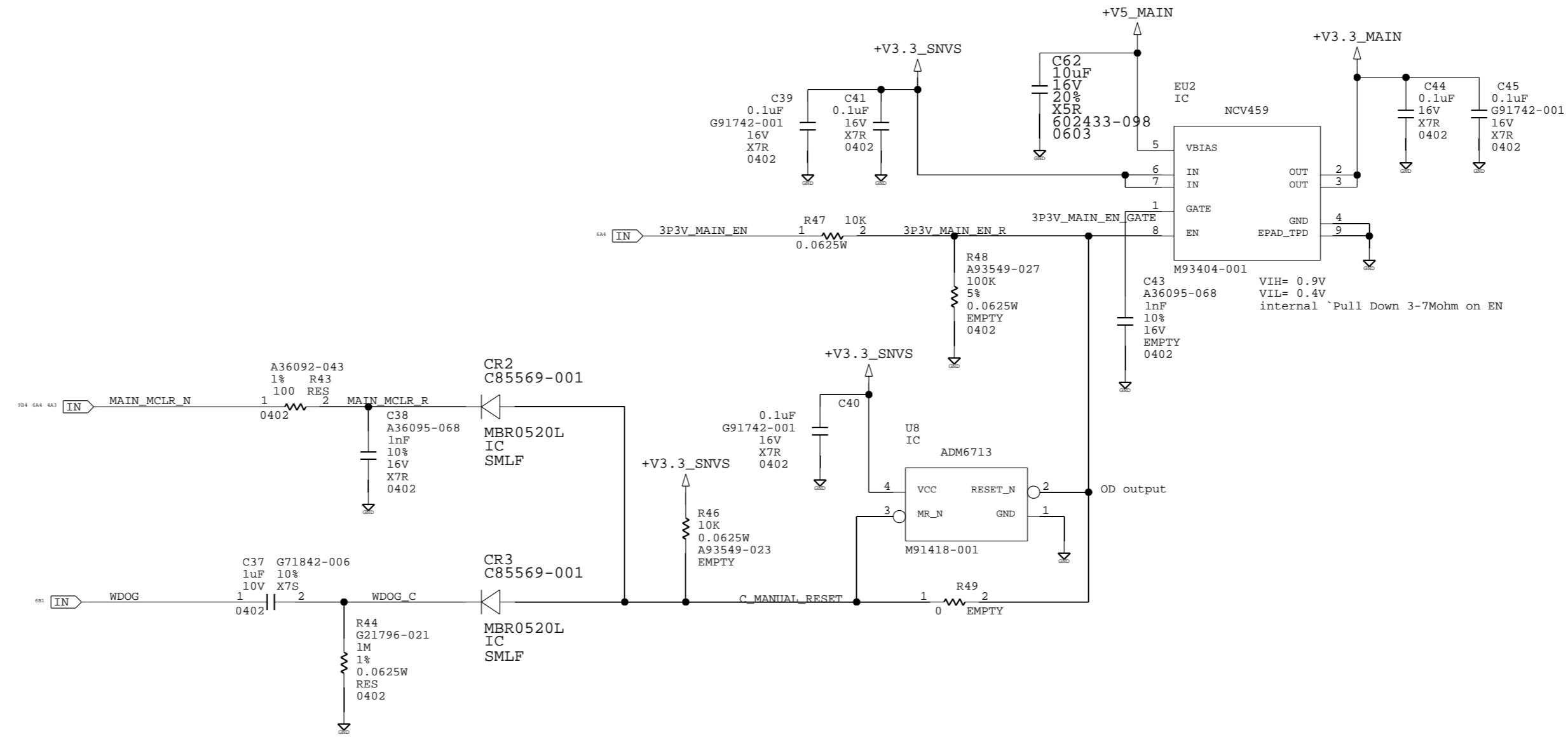
DO NOT SCALE DRAWING

SHEET 1 OF 15



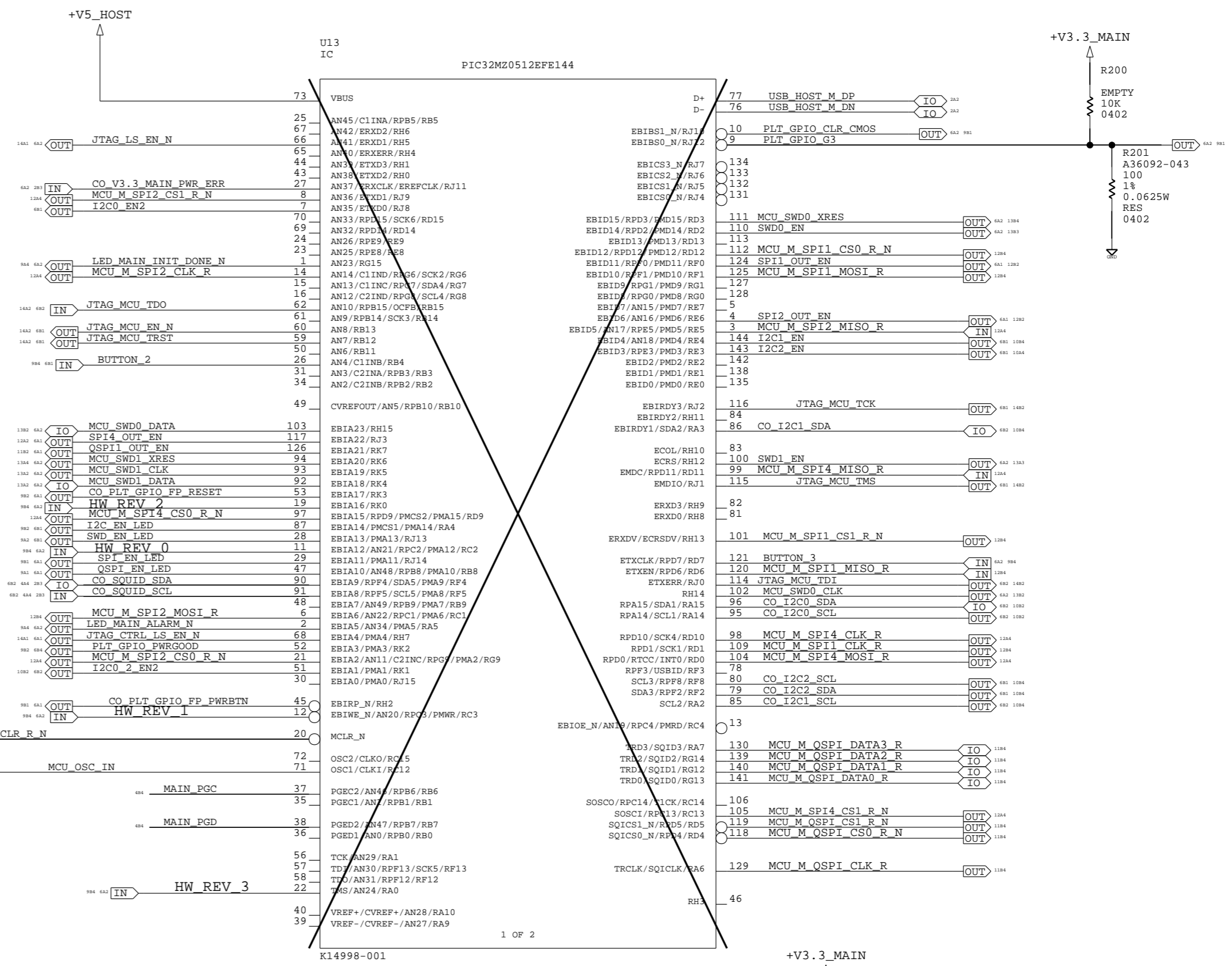
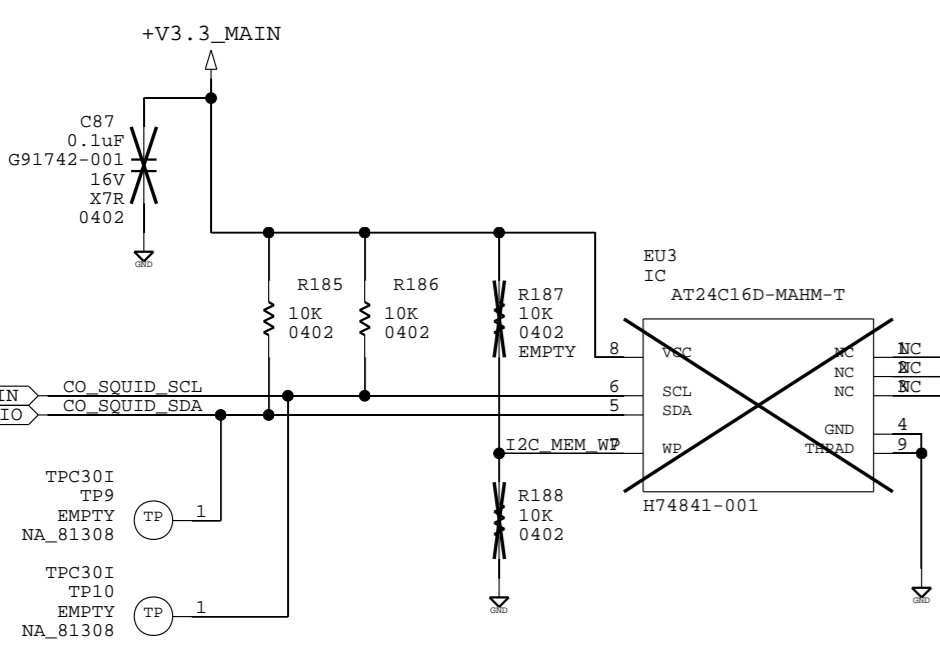
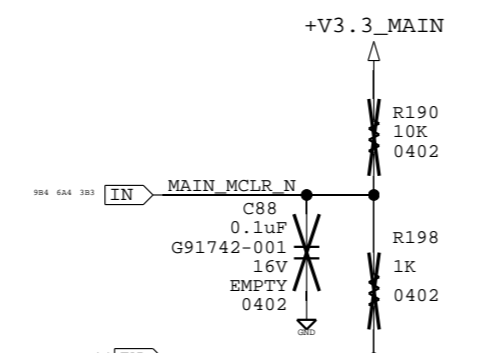
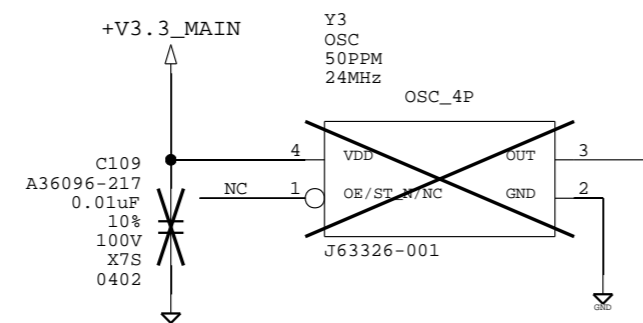
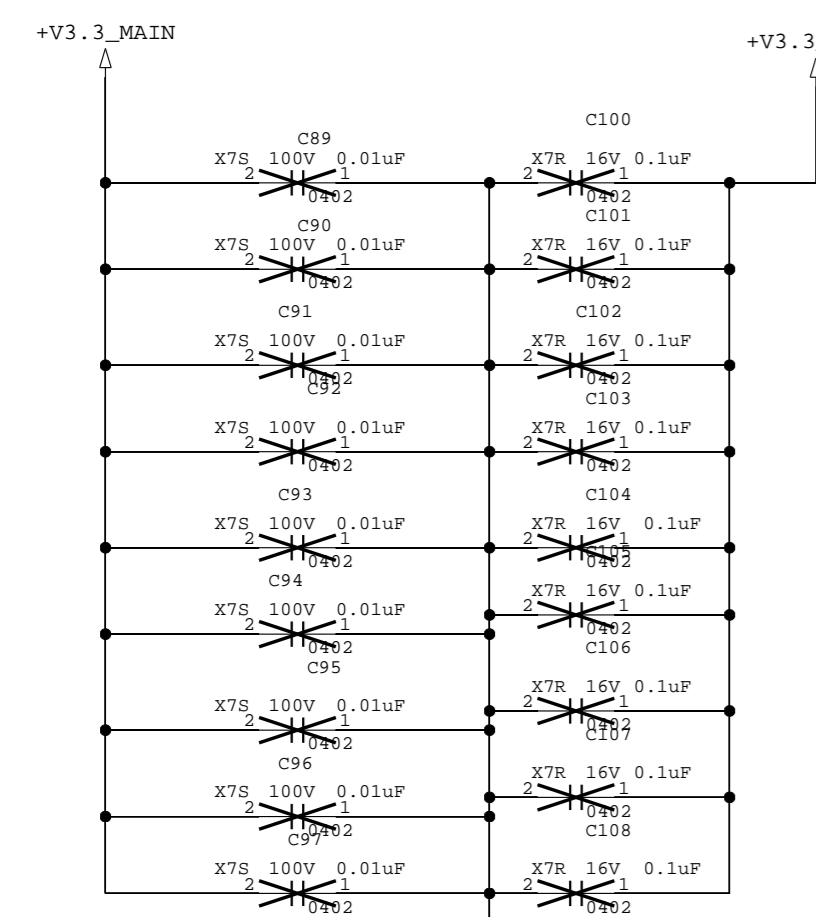
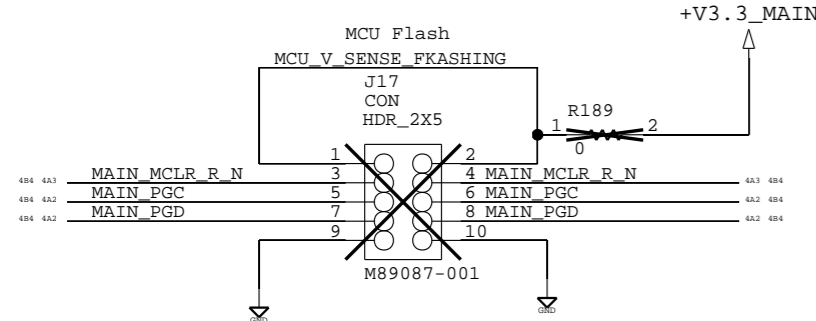
DEPARTMENT	Intel Corporation	SIZE	CODE	DOCUMENT NUMBER	REV
MVS HW	2200 Mission College Blvd. P.O. BOX 58119 Santa Clara, CA 95052-8119	C+	34649	J88300-001	0.1
SCALE:		DO NOT SCALE DRAWING		SHEET 2 OF 15	

Thu Feb 23 07:51:57 2023



Sun Feb 19 10:41:14 2023

DEPARTMENT	Intel Corporation	SIZE	CODE	DOCUMENT NUMBER	REV
MVS HW	2200 Mission College Blvd. P.O. BOX 58119 Santa Clara, CA 95052-8119	C+	34649	J88300-001	0.1
SCALE:		DO NOT SCALE DRAWING		SHEET 3 OF 15	



Mon Feb 20 13:40:18 2023

DEPARTMENT	Intel Corporation	SIZE	CODE	DOCUMENT NUMBER	REV
MVS HW	2200 Mission College Blvd. P.O. BOX 58119 Santa Clara, CA 95052-8119	C+	34649	J88300-001	0.1
SCALE:		DO NOT SCALE DRAWING		SHEET 4 OF 15	

INTEL CONFIDENTIAL

B

B

A

A

Tue Nov 29 23:57:36 2022

MICROCHIP MCU 2

DEPARTMENT

MVS HW

Intel Corporation

2200 Mission College Blvd.  
P.O. BOX 58119  
Santa Clara, CA 95052-8119

SIZE

C+

CODE

34649

DOCUMENT NUMBER

J88300-001

REV

0.1

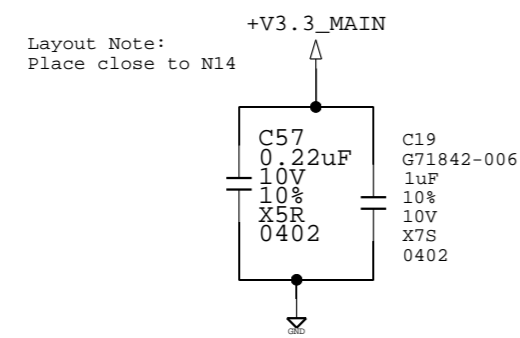
SCALE:

DO NOT SCALE DRAWING

SHEET 5 OF 15

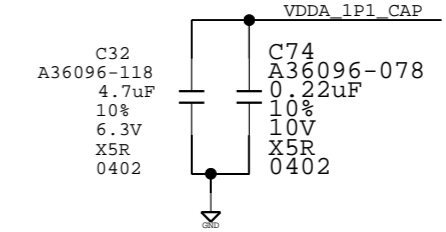
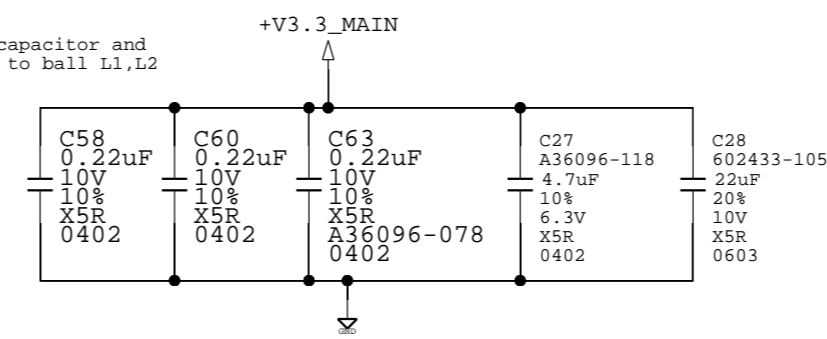


### VDDA\_ADC\_3P3

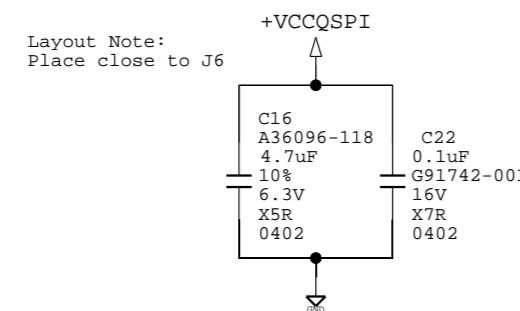


### DCDC\_IN

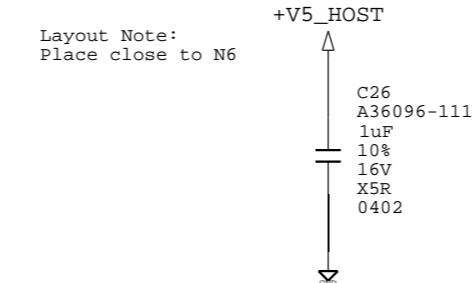
Layout Note:  
Place at least one 4.7 ?F capacitor and one 0.22 ?F capacitor next to ball L1,L2 and K4.



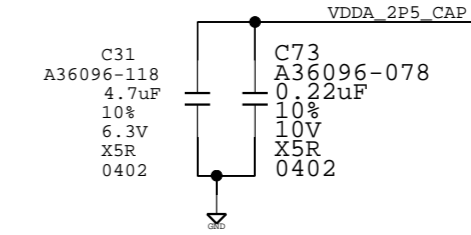
### NVCC\_SD0



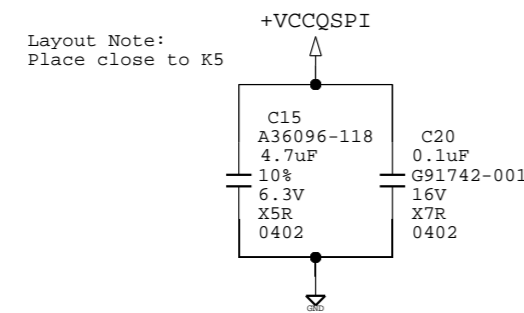
### USB\_OTG1\_VBUS



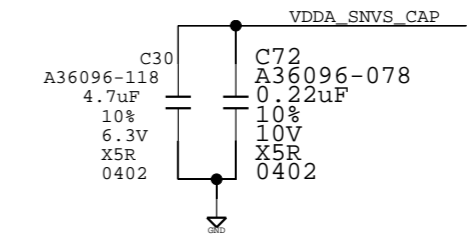
### VDD\_HIGH\_CAP



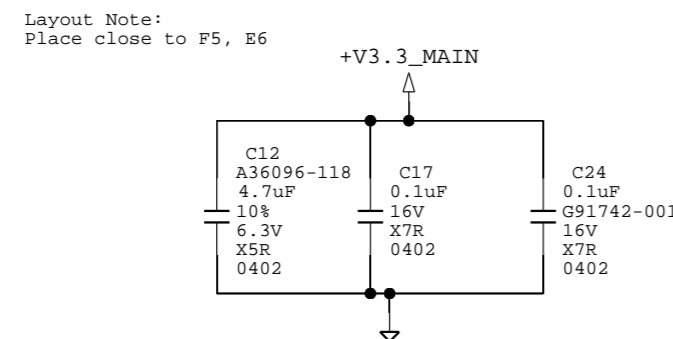
### NVCC\_SD01



### VDD\_SNVS\_CAP

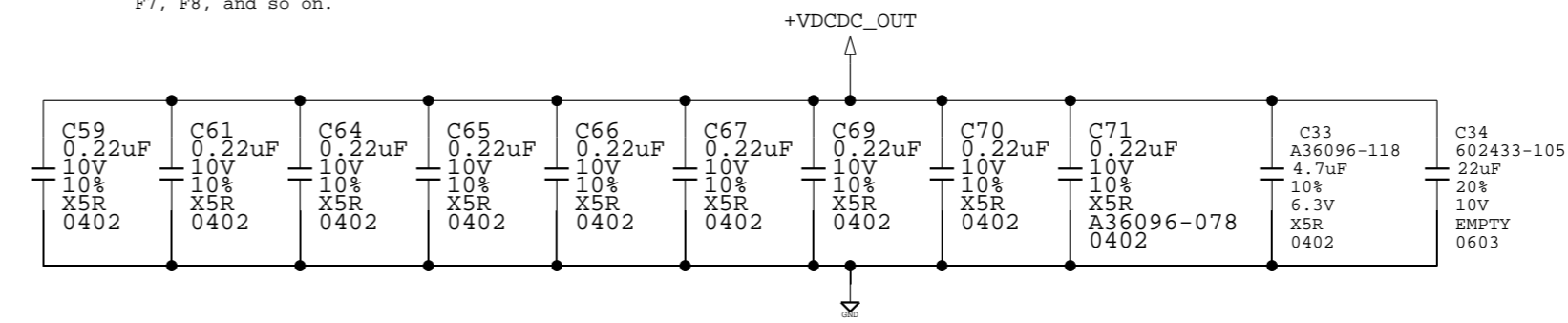


### NVCC\_EMC

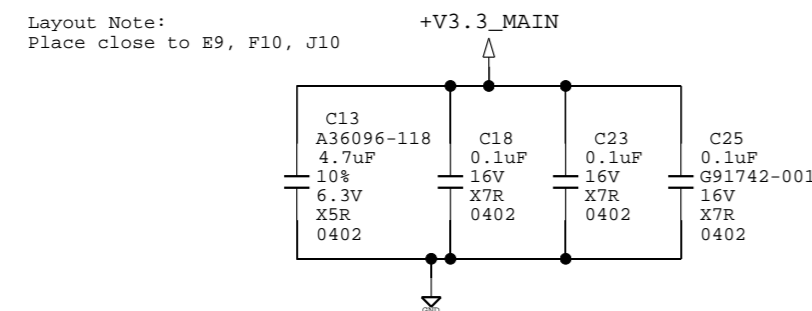


### VDD\_SOC\_IN

Layout Note:  
Place at least one 4.7 ?F capacitor and three 0.22 ?F capacitors next to balls F6, F7, F8, and so on.

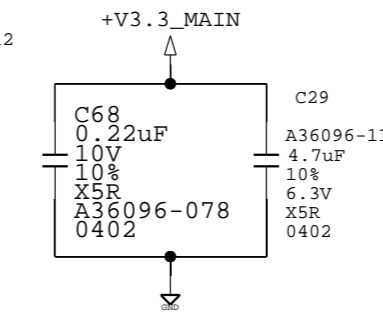


### NVCC\_GPIO

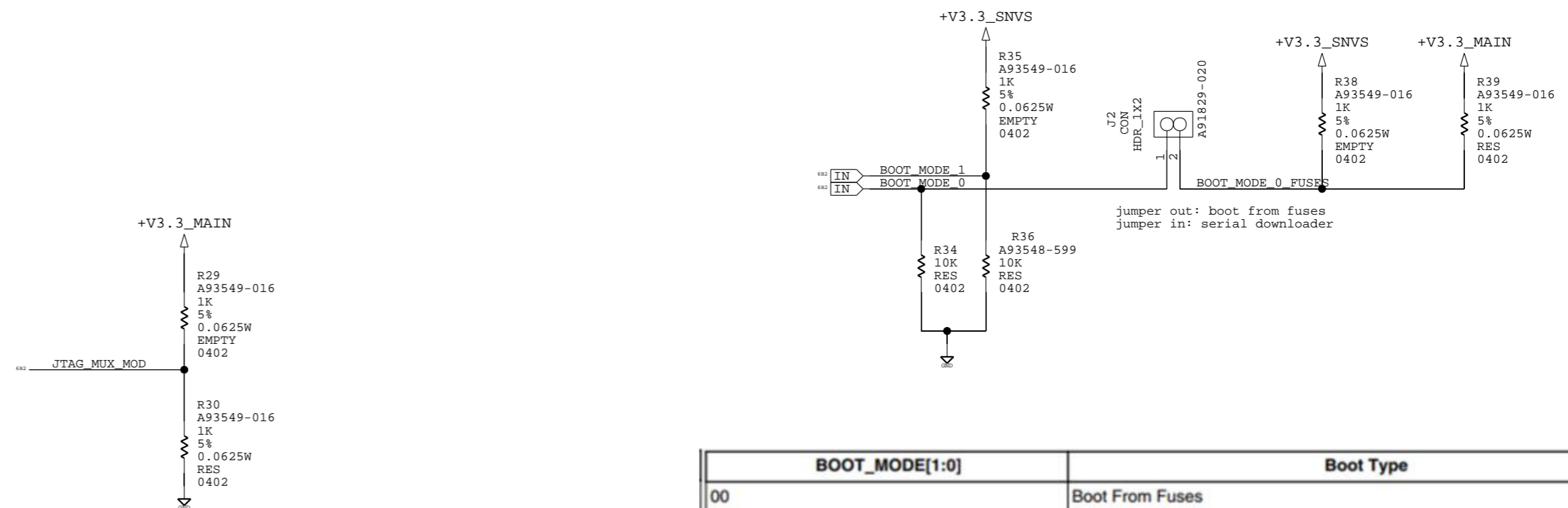
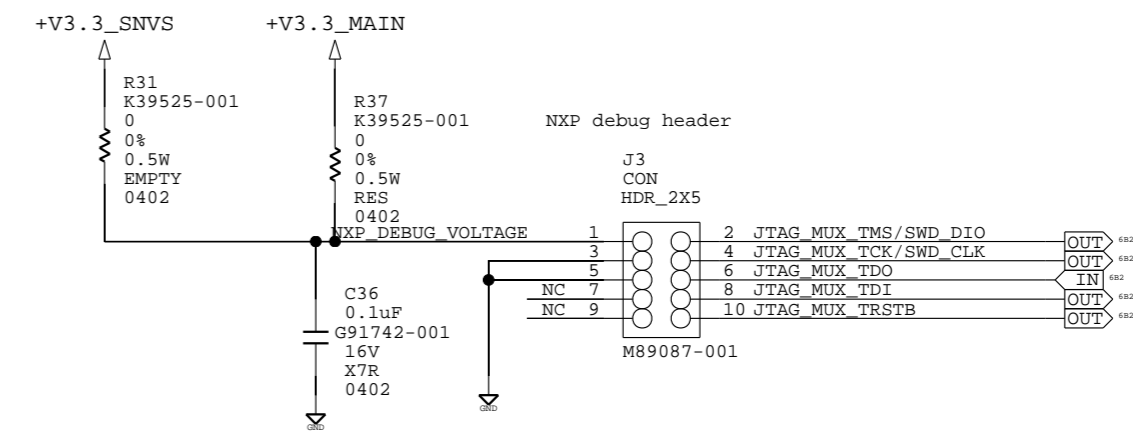
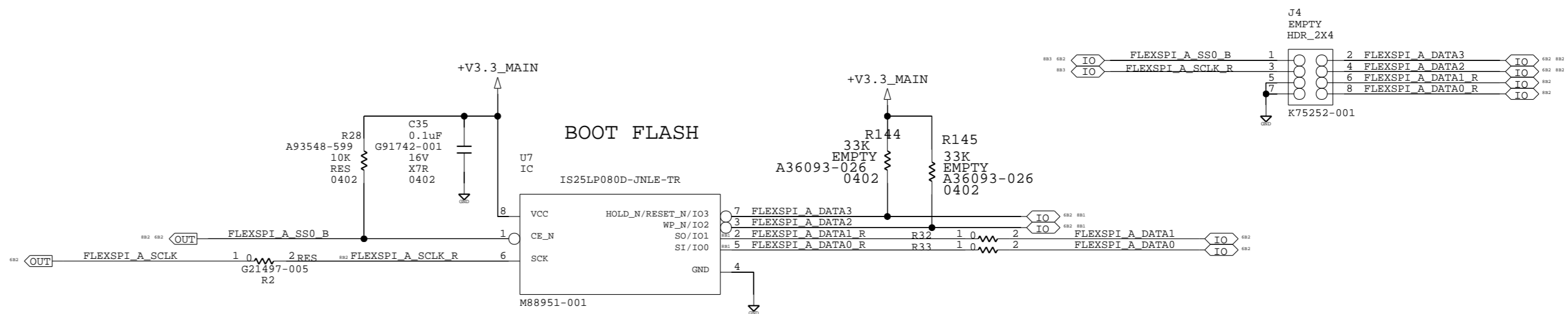


### VDD\_HIGH\_IN

Layout Note:  
Place close to F12



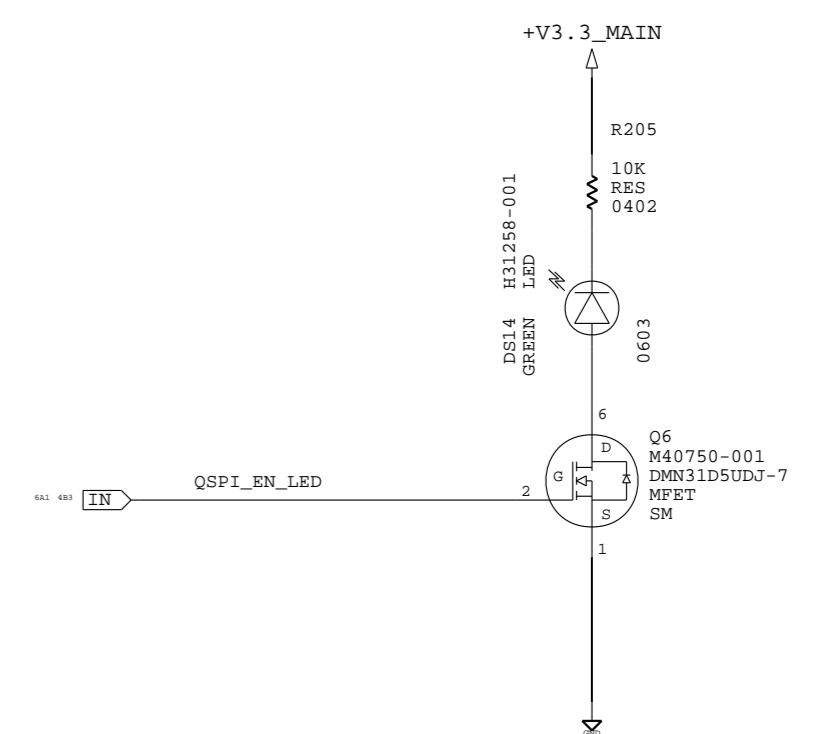
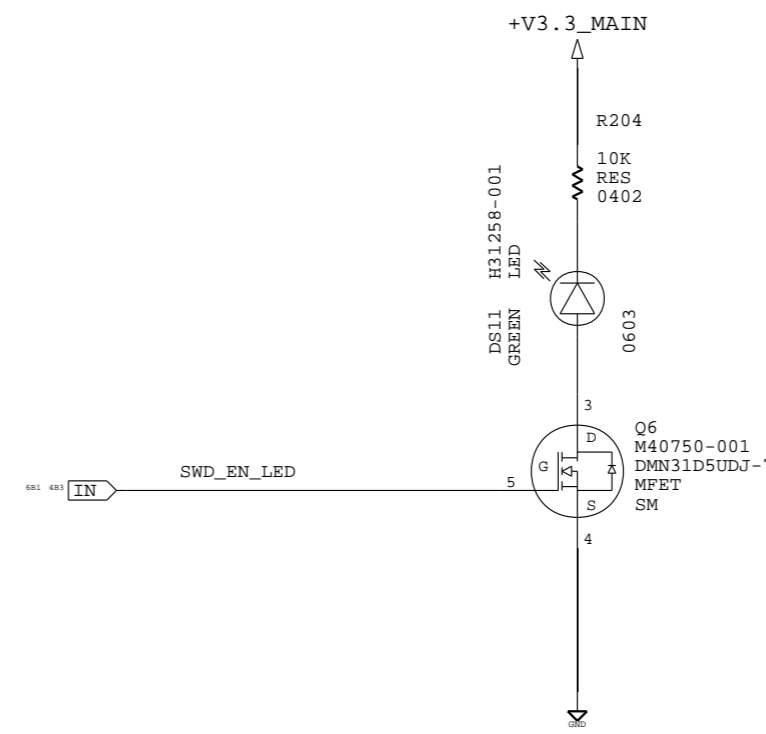
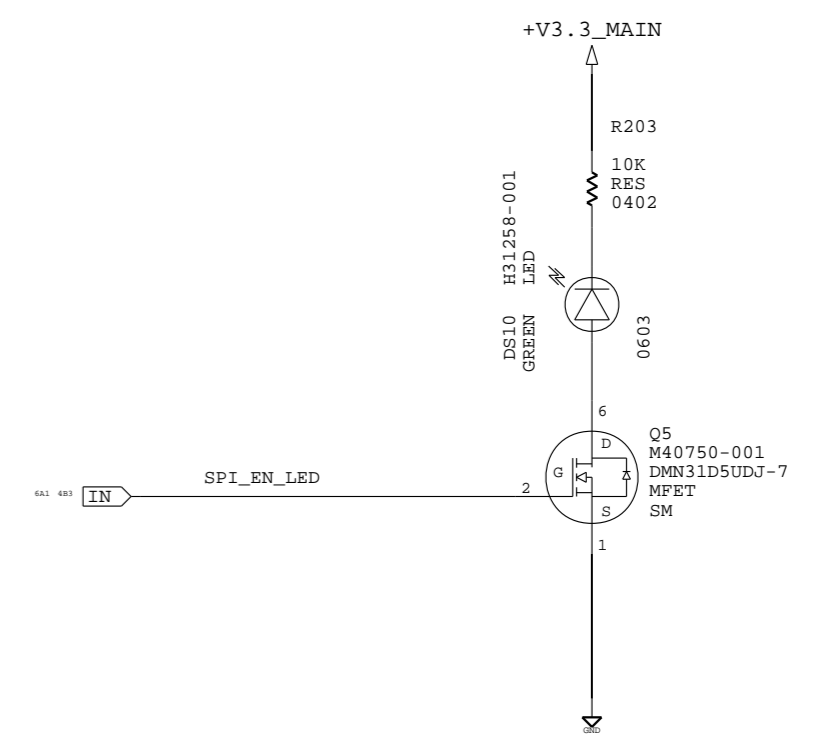
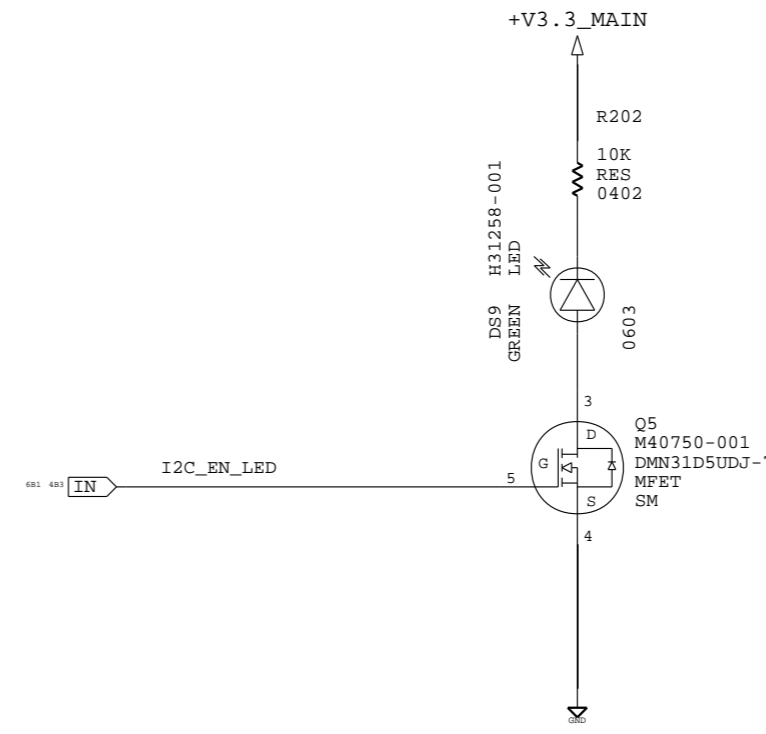
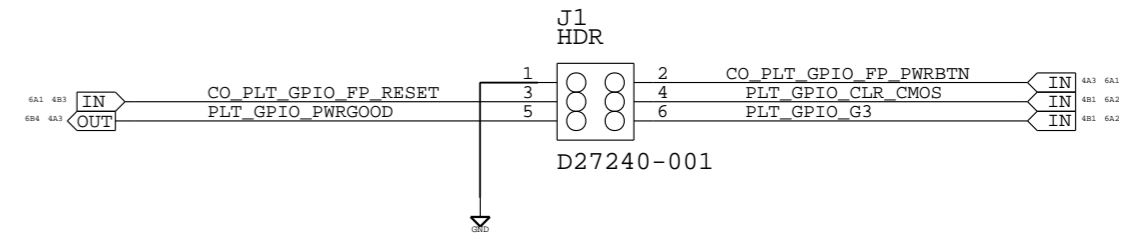
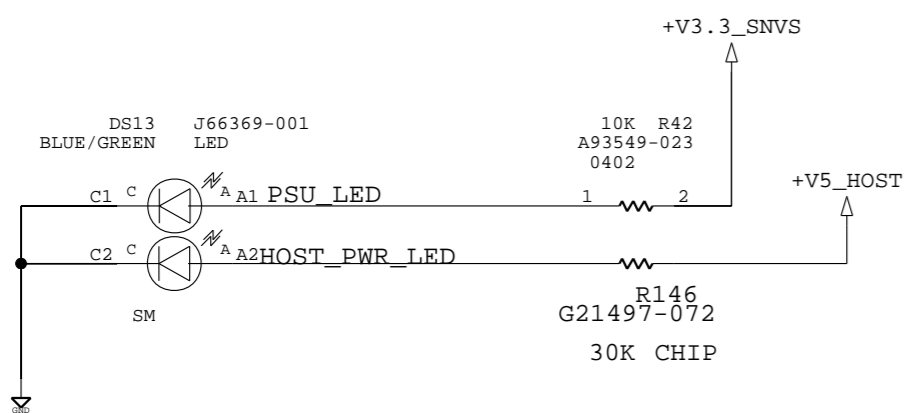
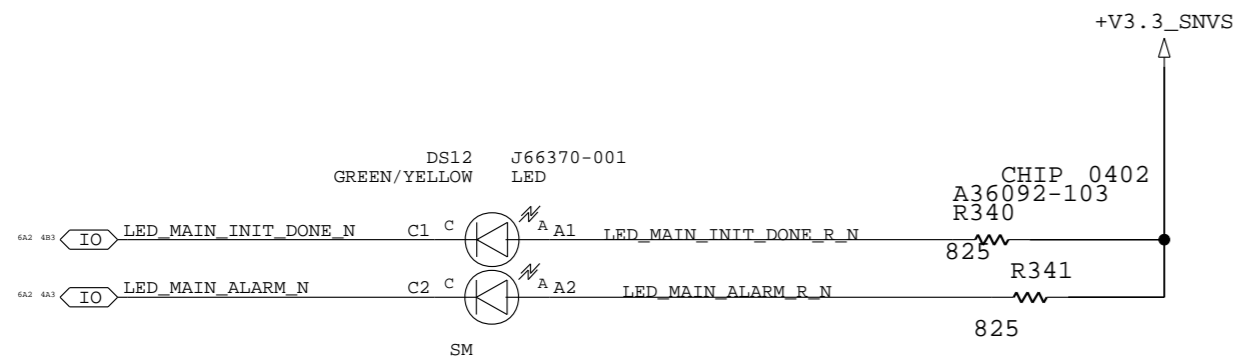
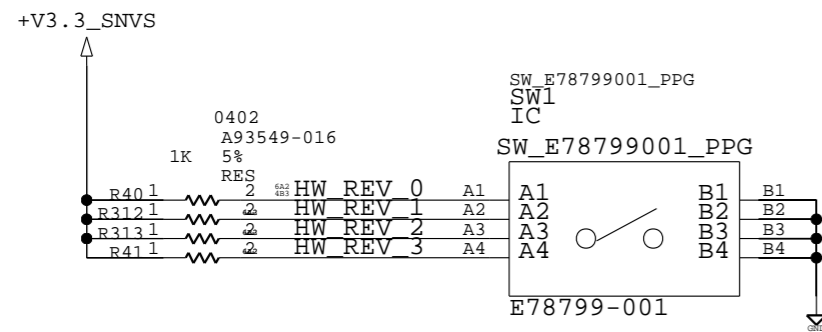
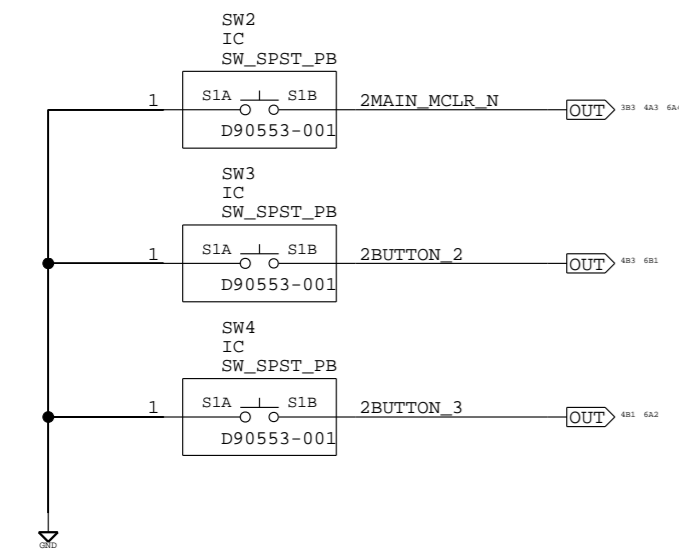
Thu Feb 23 12:40:39 2023



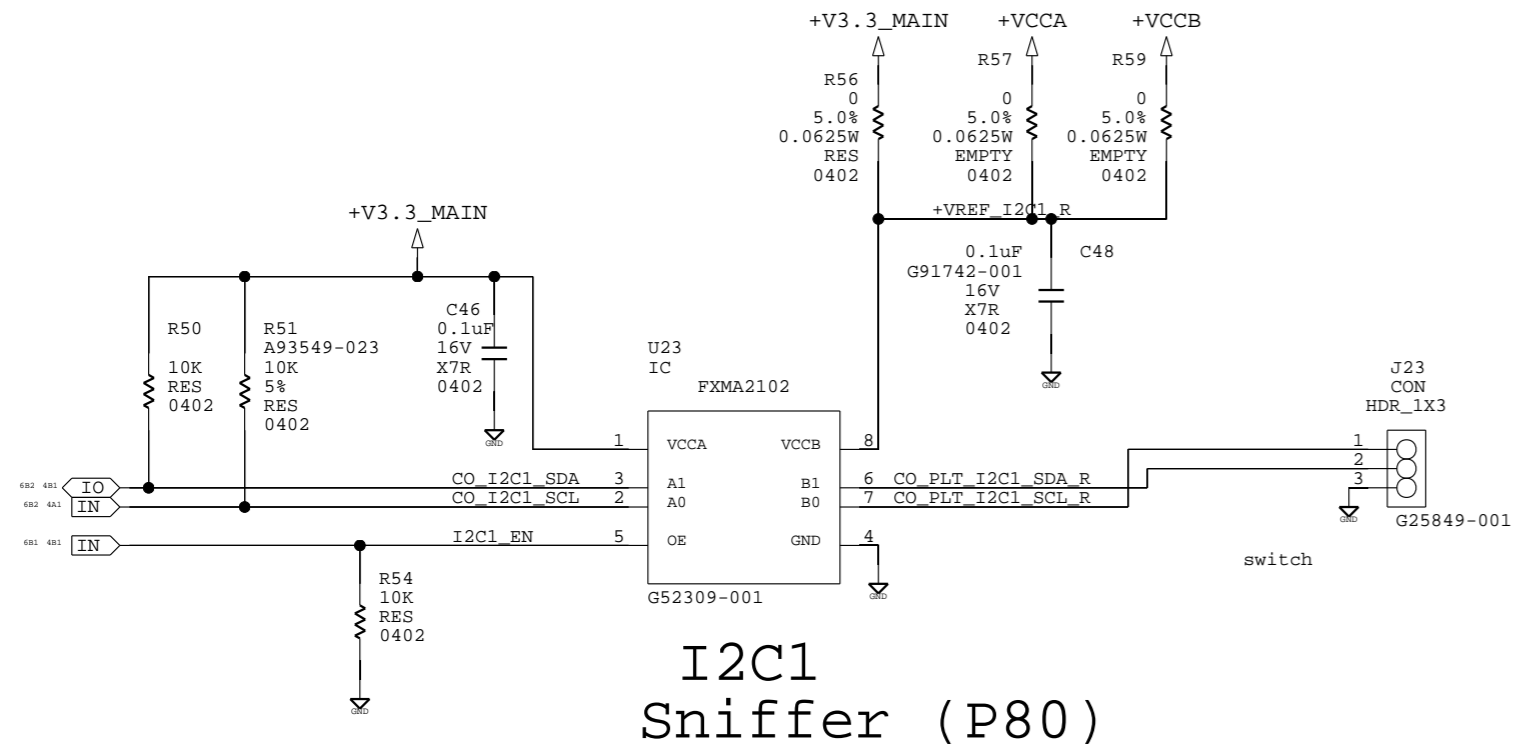
BOOT_MODE[1:0]	Boot Type
00	Boot From Fuses
01	Serial Downloader
10	Internal Boot
11	Reserved

Sun Feb 19 10:40:17 2023

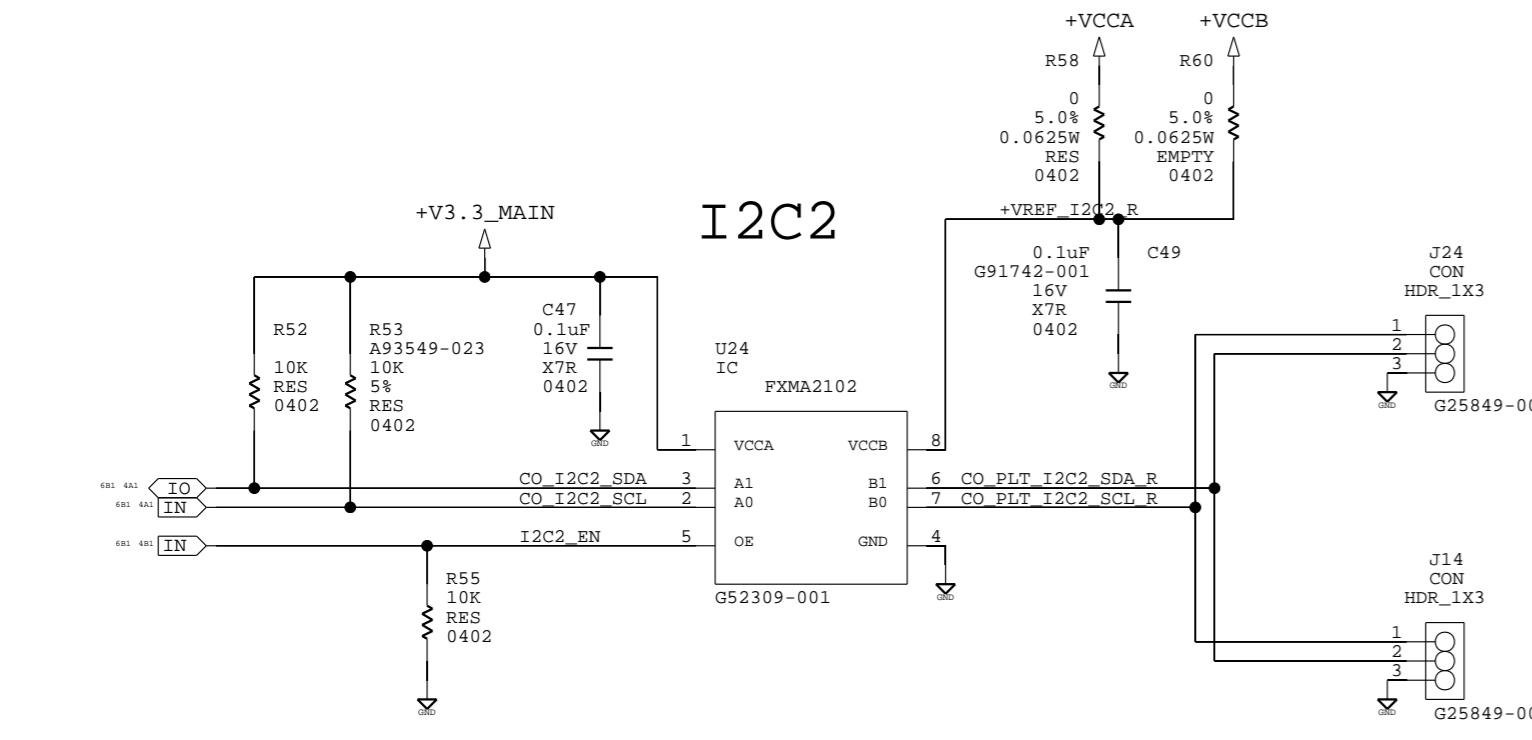




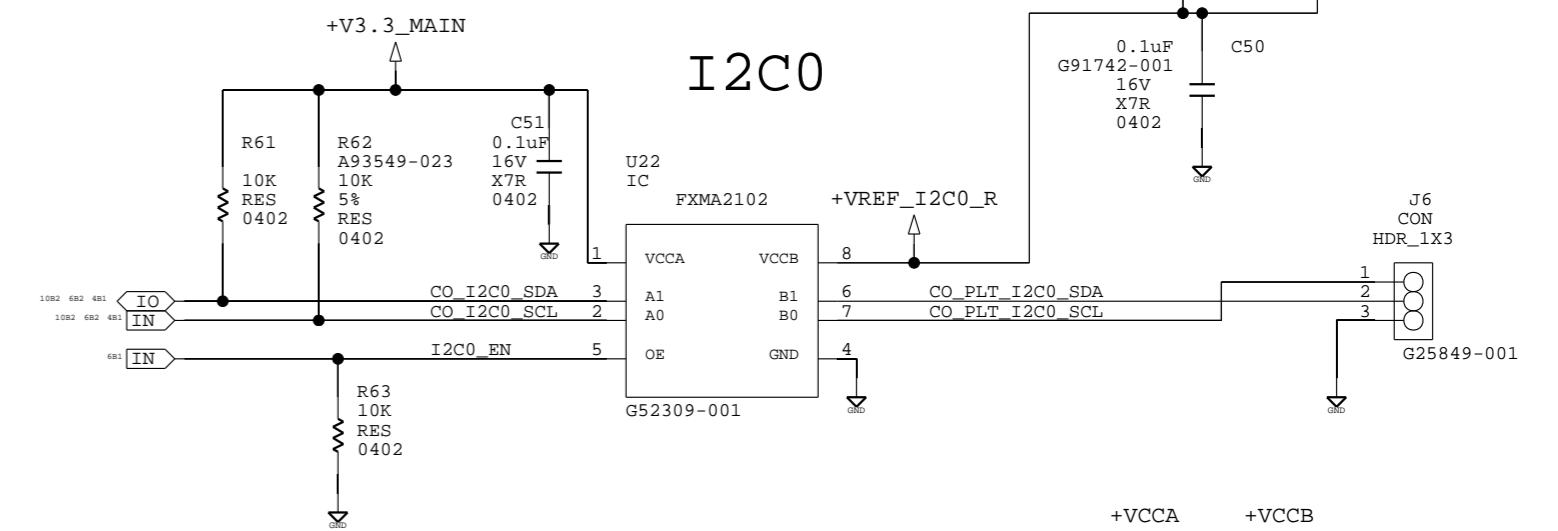
Mon Feb 13 09:31:15 2023



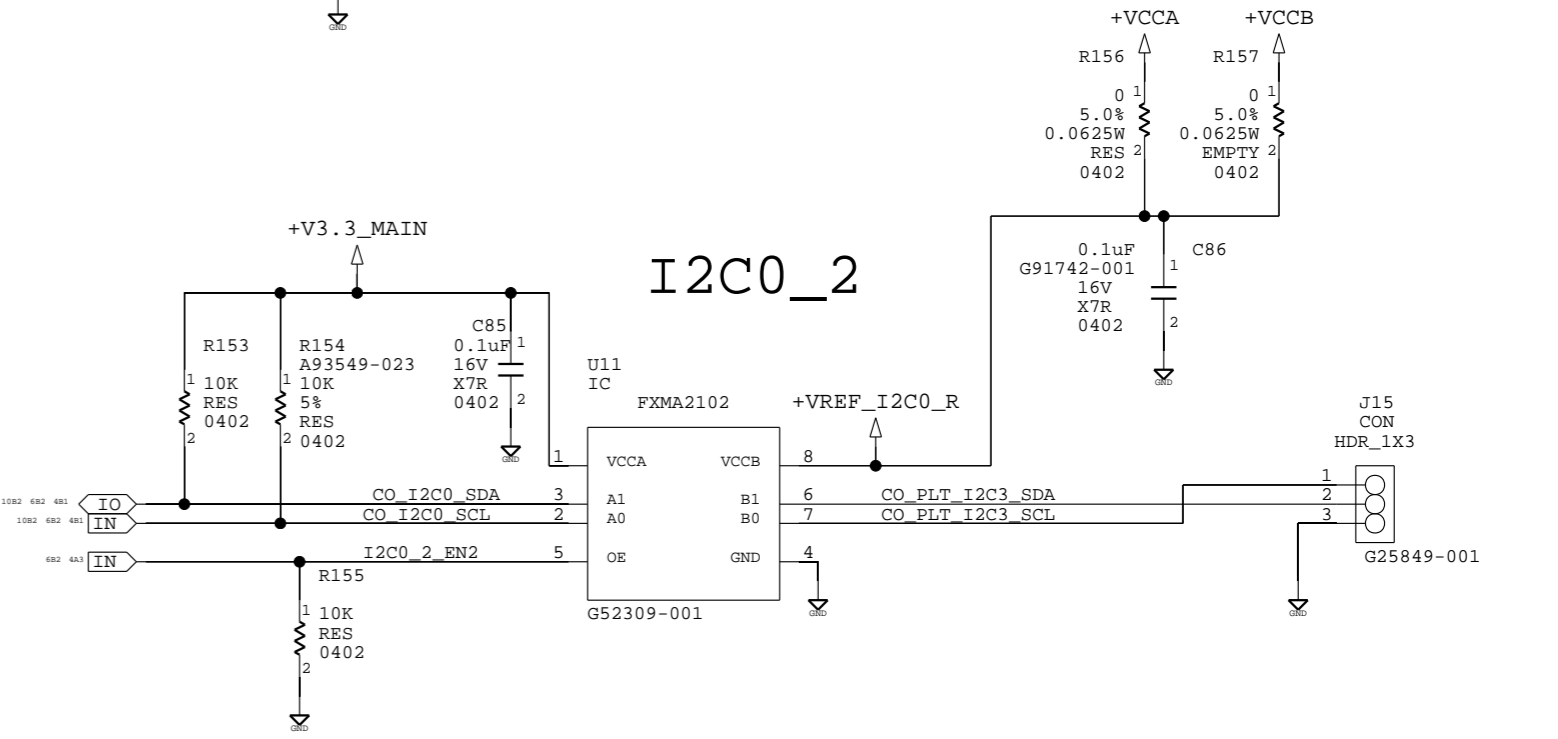
I2C1 Sniffer (P80)



I2C2

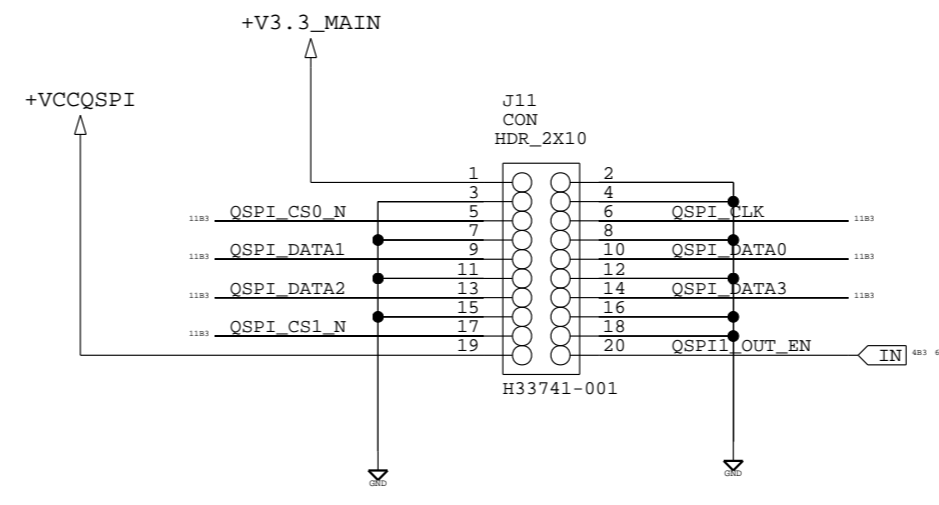
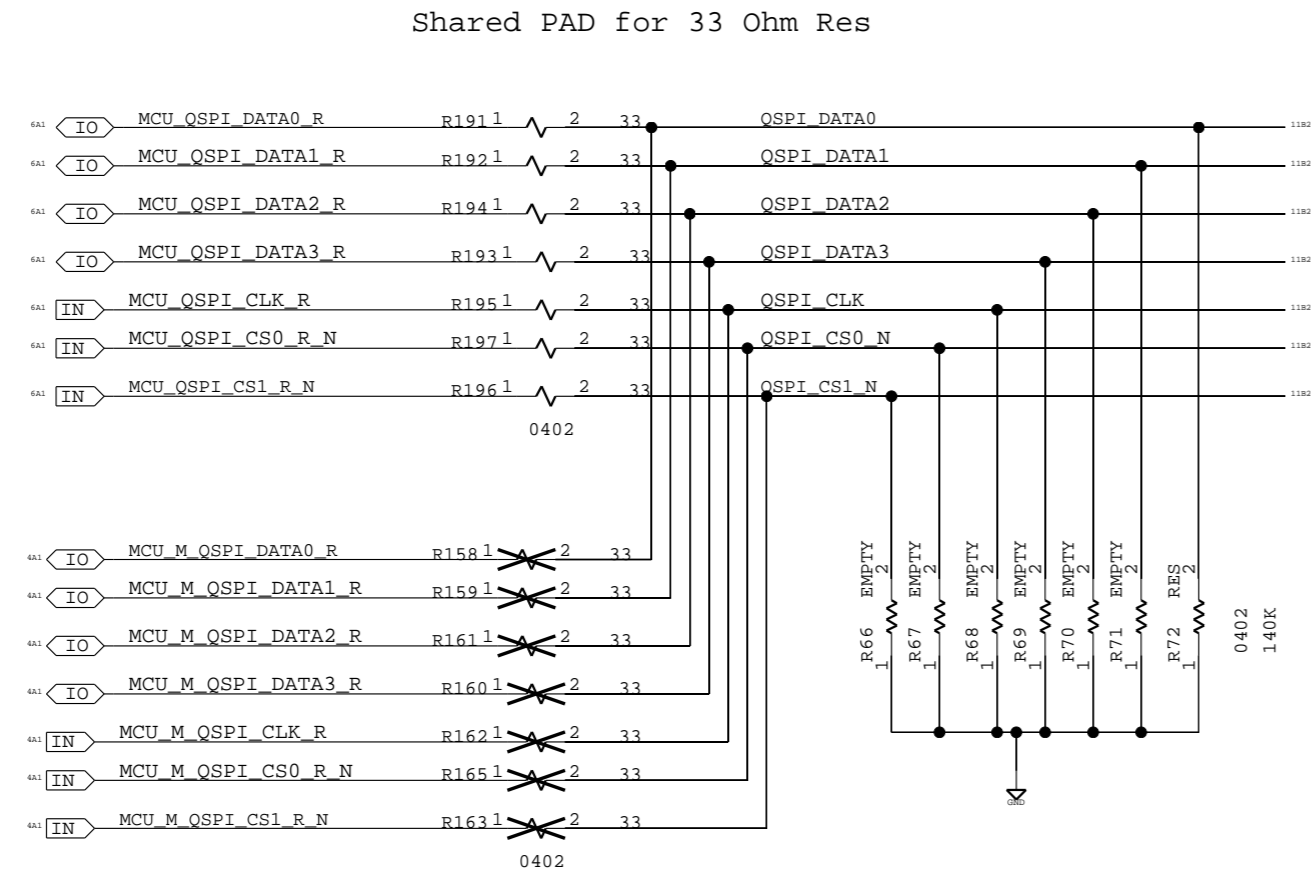


I2C0



I2C0\_2

DEPARTMENT	Intel Corporation	SIZE	CODE	DOCUMENT NUMBER	REV
MVS HW	2200 Mission College Blvd. P.O. BOX 58119 Santa Clara, CA 95052-8119	C+	34649	J88300-001	0.1
SCALE:		DO NOT SCALE DRAWING		SHEET 10 OF 15	



Mon Feb 13 09:02:03 2023

QSPI

DEPARTMENT  
MVS HW

Intel Corporation  
2200 Mission College Blvd.  
P.O. BOX 58119  
Santa Clara, CA 95052-8119

SIZE  
C+

CODE  
34649

DOCUMENT NUMBER  
J88300-001

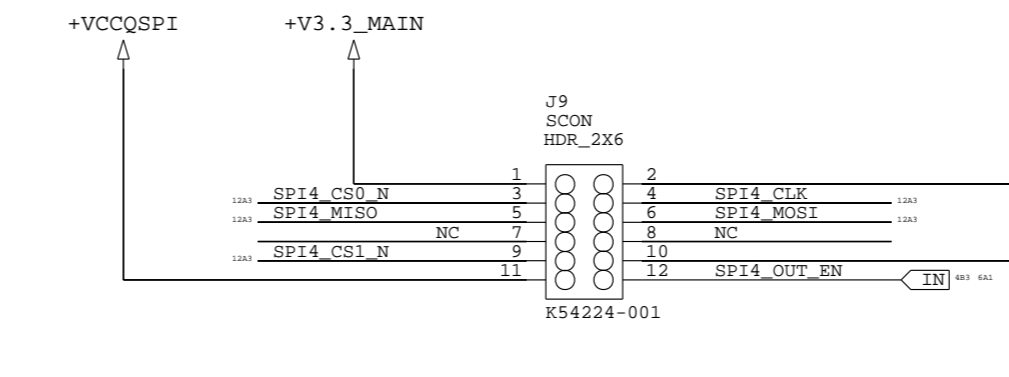
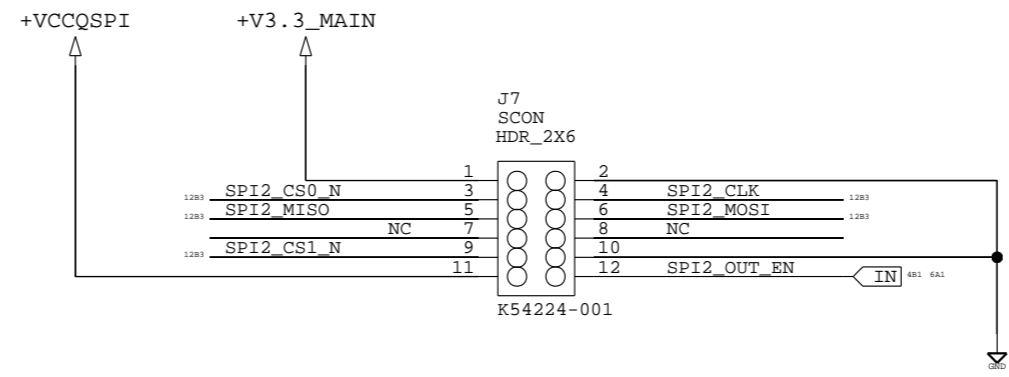
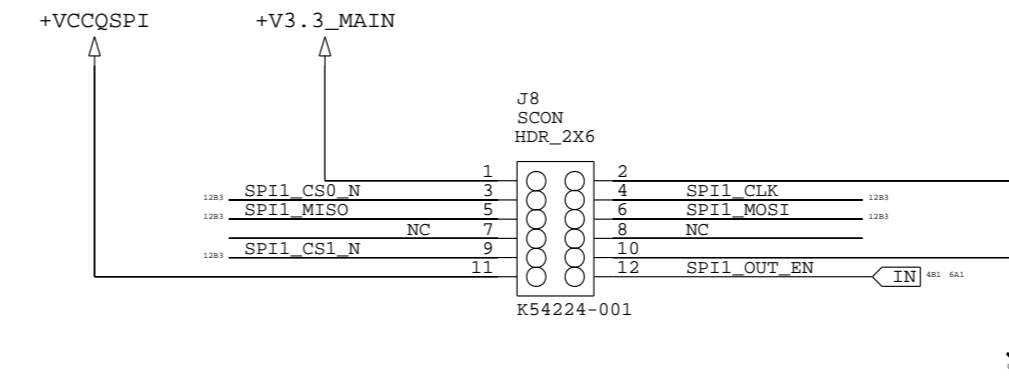
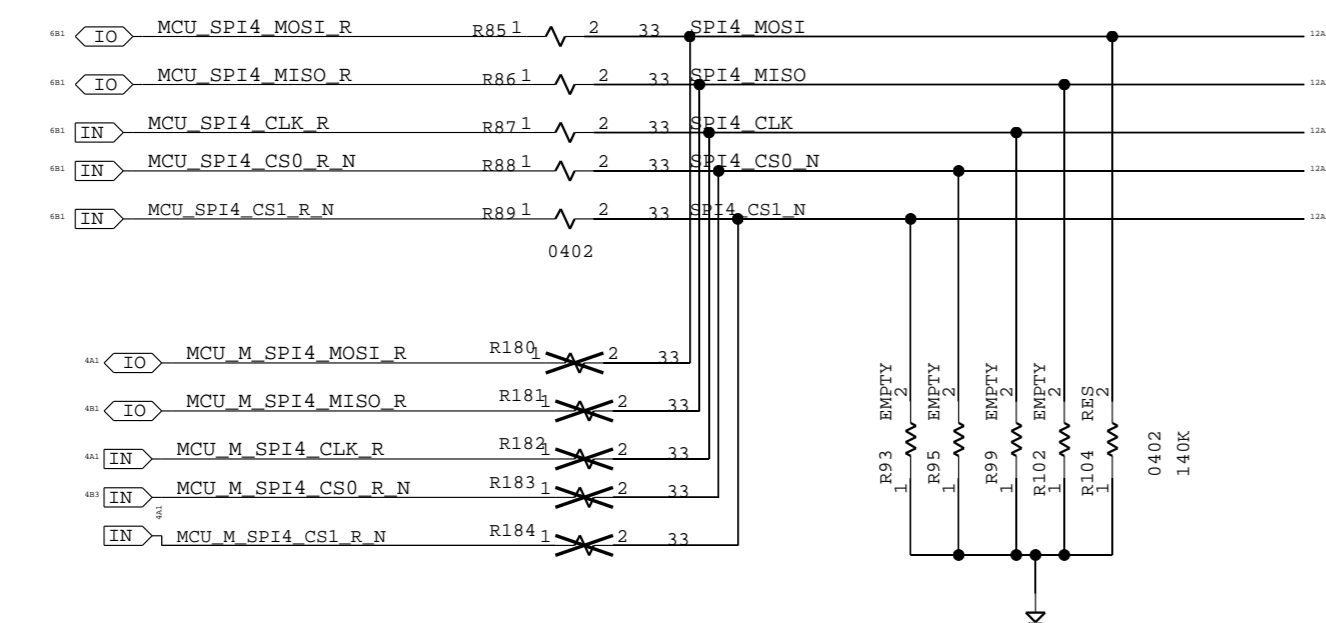
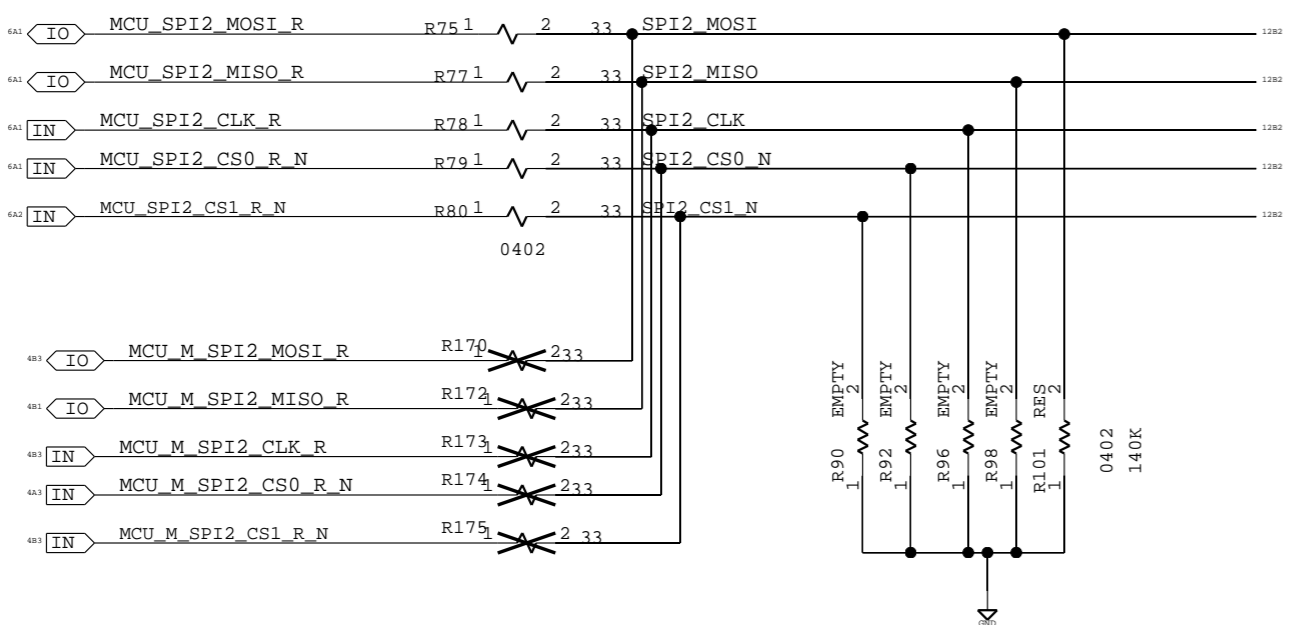
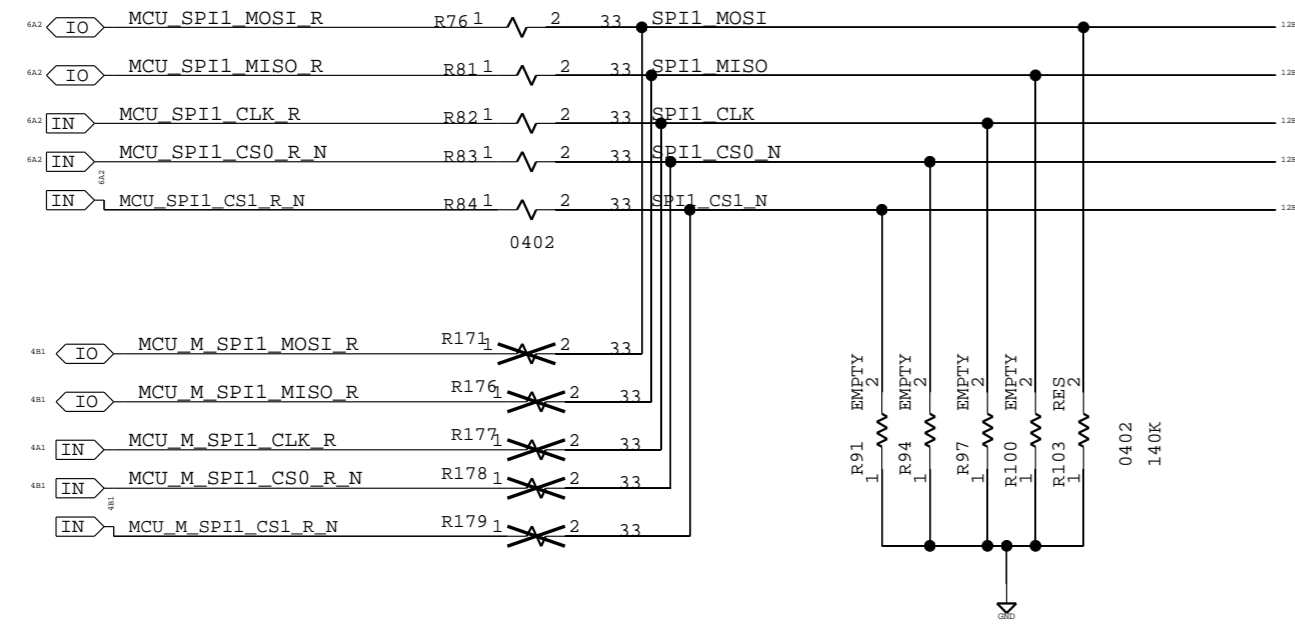
REV  
0.1

SCALE:

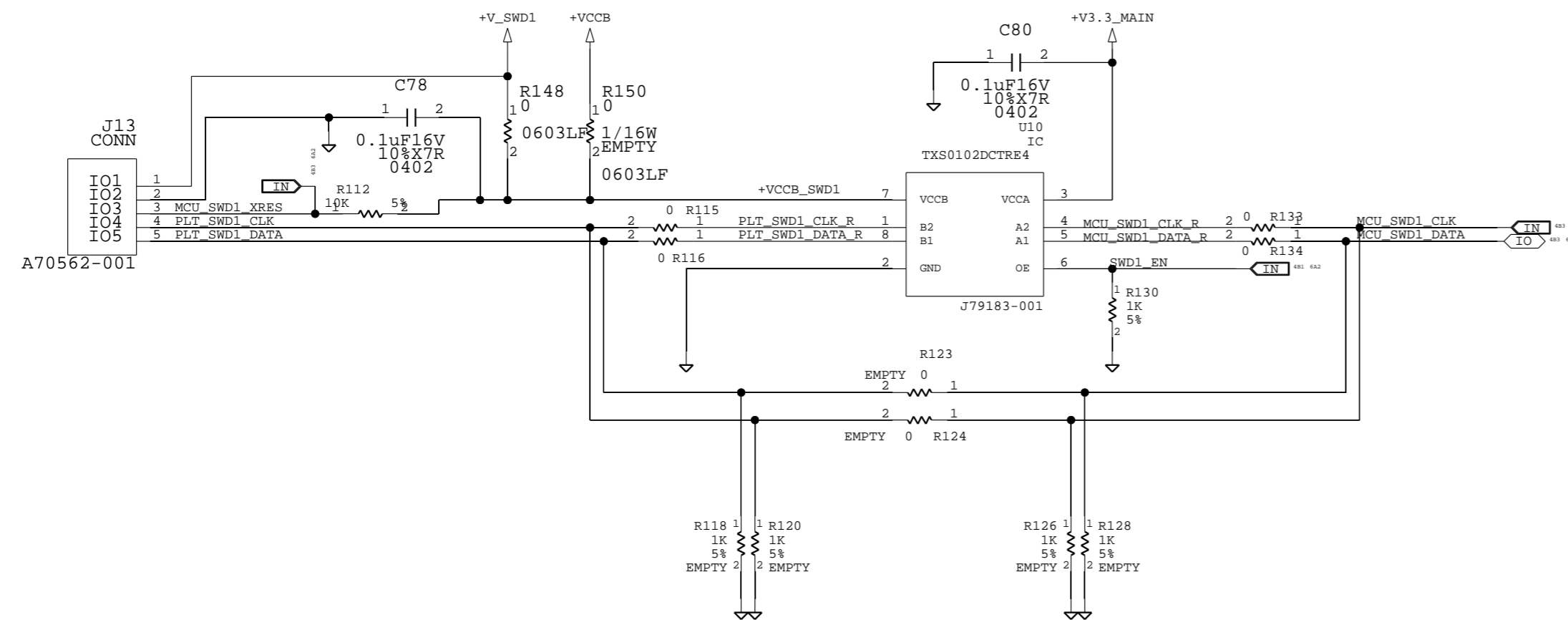
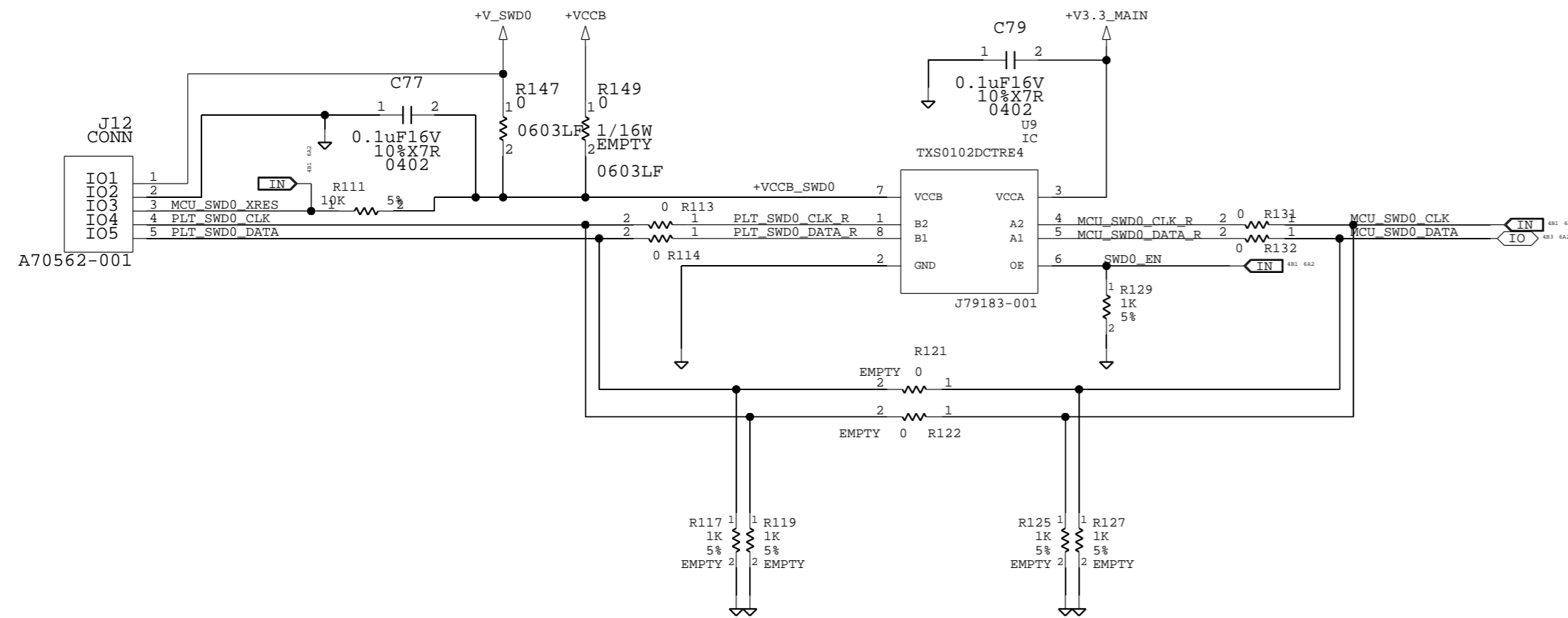
DO NOT SCALE DRAWING

SHEET 11 OF 15

Shared PAD for 33 Ohm Res



Mon Feb 13 09:02:04 2023



Mon Feb 13 08:48:56 2023

SWD

DEPARTMENT  
MVS HW

Intel Corporation  
2200 Mission College Blvd.  
P.O. BOX 58119  
Santa Clara, CA 95052-8119

SIZE  
C+

CODE  
34649

DOCUMENT NUMBER

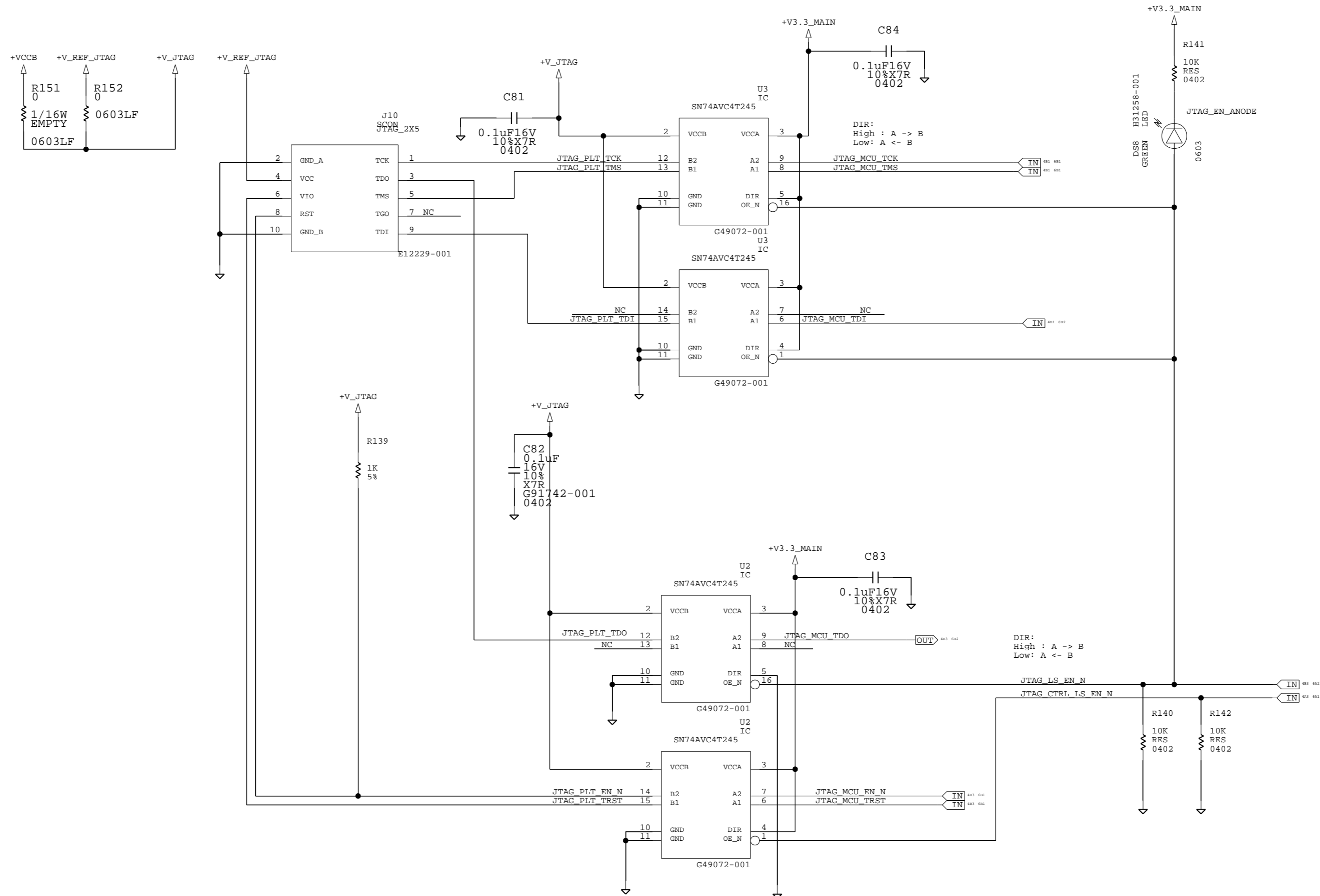
J88300-001

REV  
0.1

SCALE:

DO NOT SCALE DRAWING

SHEET 13 OF 15



Wed Oct 5 22:35:48 2022

INTEL CONFIDENTIAL

B

B

A

A

Wed Nov 30 00:06:53 2022

MISC

DEPARTMENT

MVS HW

Intel Corporation

2200 Mission College Blvd.  
P.O. BOX 58119  
Santa Clara, CA 95052-8119

SIZE

C+

CODE

34649

DOCUMENT NUMBER

J88300-001

REV

0.1

SCALE:

DO NOT SCALE DRAWING

SHEET 15 OF 15