

# MAD Modular Platform : Rita SMD Board

## Table of Content

Page 1	Cover
Page 2	Block Diagram
Page 3	Connector
Page 4	Rita Memory
Page 5	Rita MiscI
Page 6	Rita MiscII
Page 7	PMIC
Page 8	Discrete Power
Page 9	Charger
Page 10	USB HOST&OTG
Page 11	FEC
Page 12	Audio Codec
Page 13	SATA
Page 14	SD slot
Page 15	LVDS
Page 16	VGA
Page 17	HDMI
Page 18	LCD&CMOS
Page 19	UI
Page 20	GPS&ZigBee&3G
Page 21	Sensor
Page 22	Debug
Page 23	Misc
Page 24	WiFi+BT
Page 25	Configure Table

## Revision History

Rev. Code	Date	By	Description
1			

1. Unless Otherwise Specified:


All resistors are in ohms, 10%, 1/8 Watt,0603  
 All capacitors are in uF, 20%, 50V,0603  
 All voltages are DC  
 All polarized capacitors are aluminum electrolytic

2. Interrupted lines coded with the same letter or letter combinations are electrically connected.

3. Device type number is for reference only. The number varies with the manufacturer.

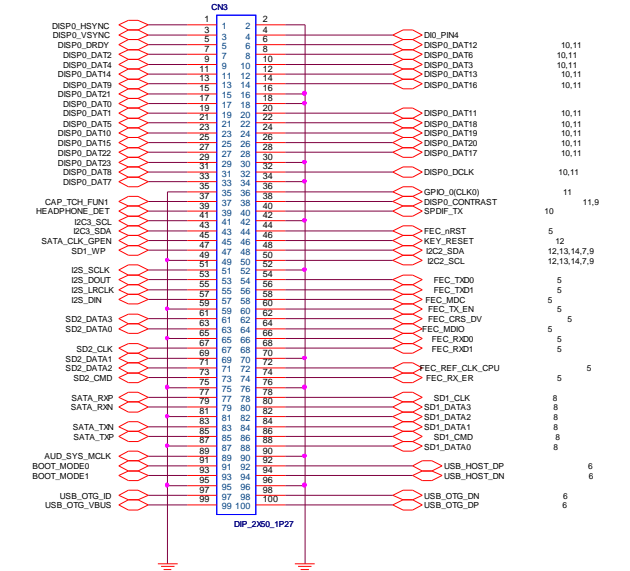
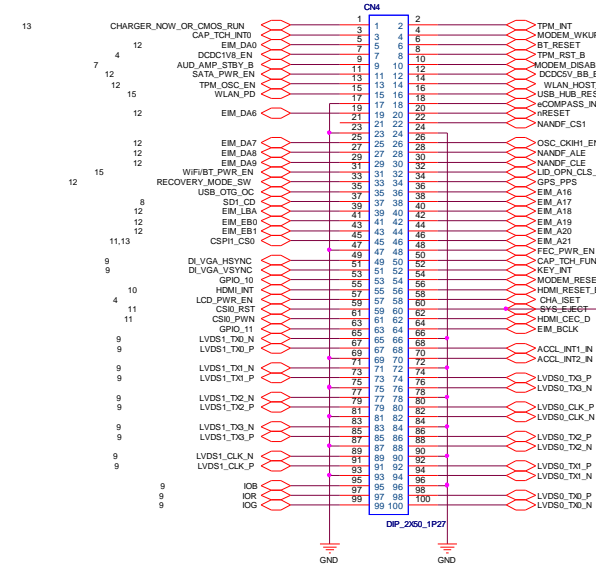
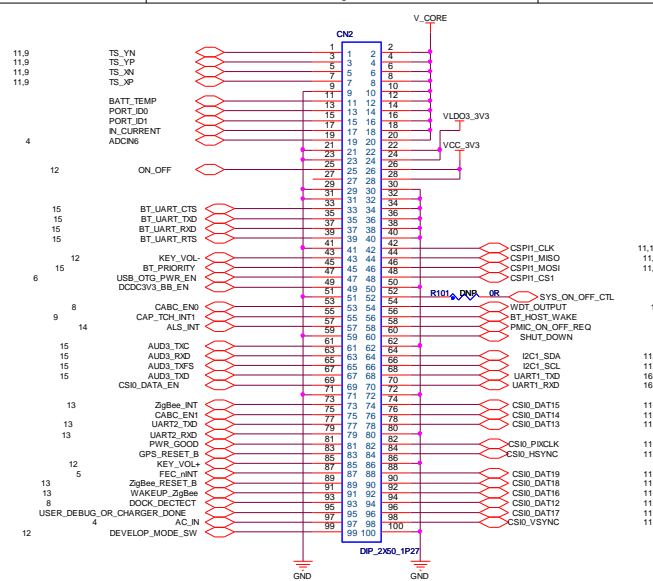
4. Special signal usage:  
 \_B Denotes - Active-Low Signal  
 <-> or [] Denotes - Vectored Signals

5. Interpret diagram in accordance with American National Standards Institute specifications, current revision, with the exception of logic block symbology.

		<b>HARDWARE DEPARTMENT</b>	
This document contains information proprietary and shall not be used for engineering design, procurement or manufacture in whole or in part without the express written permission of MORNINGHAN, Inc.			
Designer: -<Design->	Drawing Title: <b>MX53 MPK1</b>		
Drawn by: -<Draw-ty>	Page Title: <b>COVER</b>		
Approved: -<Approv->	Size C	Document Number SOURCE: SCH-63025 PDF:SPF-63025	Rev A
Date:	Fri, Dec 02 2011	Sheet	1 of 18

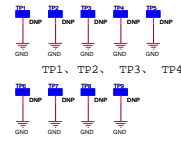
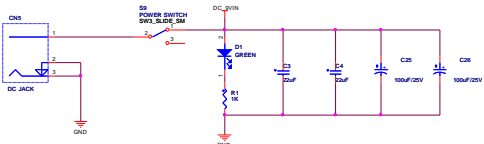
# 53 MPK MOTHER BOARD

		HARDWARE DEPARTMENT	
<small>This document contains information proprietary and shall not be used for engineering design, procurement or manufacture in whole or in part without the express written permission of MORNINGSTAR Inc.</small>			
Designer: <Designer>	Drawing Title: <b>MX53 MPK1</b>		
Drawn by: <DrawnBy>	Page Title: <b>Block Diagram</b>		
Approved: <Approver>	Site: Custom	Document Number: SOURCE-SCH-43025 PDP-SFF-43025	Rev: A
Date: Friday, December 02, 2011		Sheet: 2	of 18



		<b>HARDWARE DEPARTMENT</b>	
This document contains information proprietary and shall not be used for engineering design, procurement or manufacture in whole or in part without the express written permission of MORNINGHAN Inc.			
Designer: -Designer-	Drawing Title: <b>MX53 MPK1</b>		
Drawn by: -DrawBy-	Page Title: <b>Main Connector</b>		
Approved: -Appove-	Document Number SOURCE: SCH-43025 PDF: SPF-43025	Rev A	
Date: Friday, December 02, 2011		Sheet	3 of 18

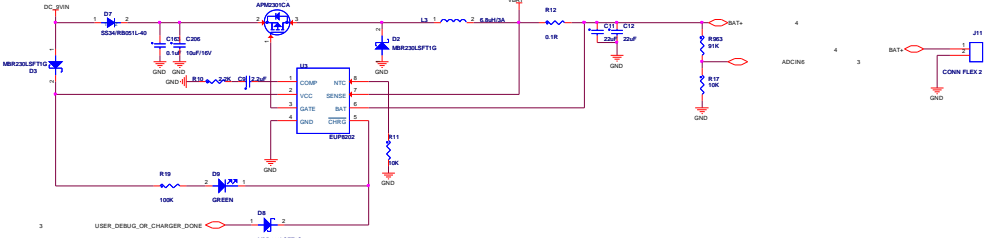
9V输入



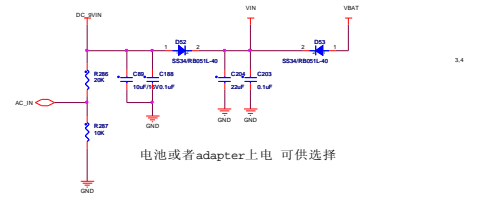
TP1、TP2、TP3、TP4、TP5放置于top面

TP6、TP7、TP8、TP9放置于bottom面

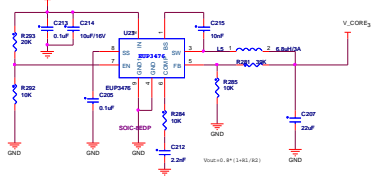
charge



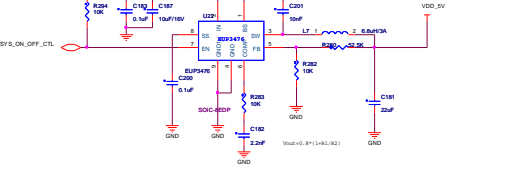
电池或者adapter上电 可供选择



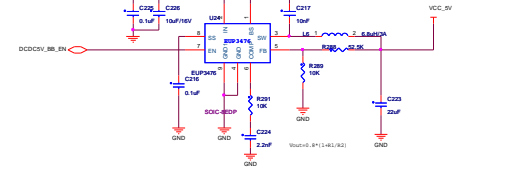
V\_CORE



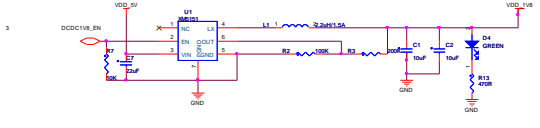
DC-DC5V



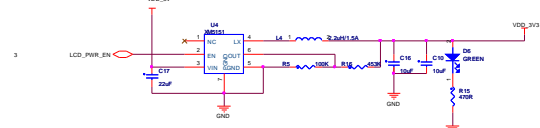
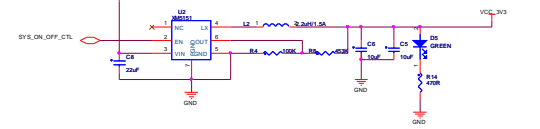
DC-DC5V



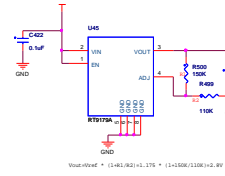
DC-DC 1V8



DC-DC 3V3

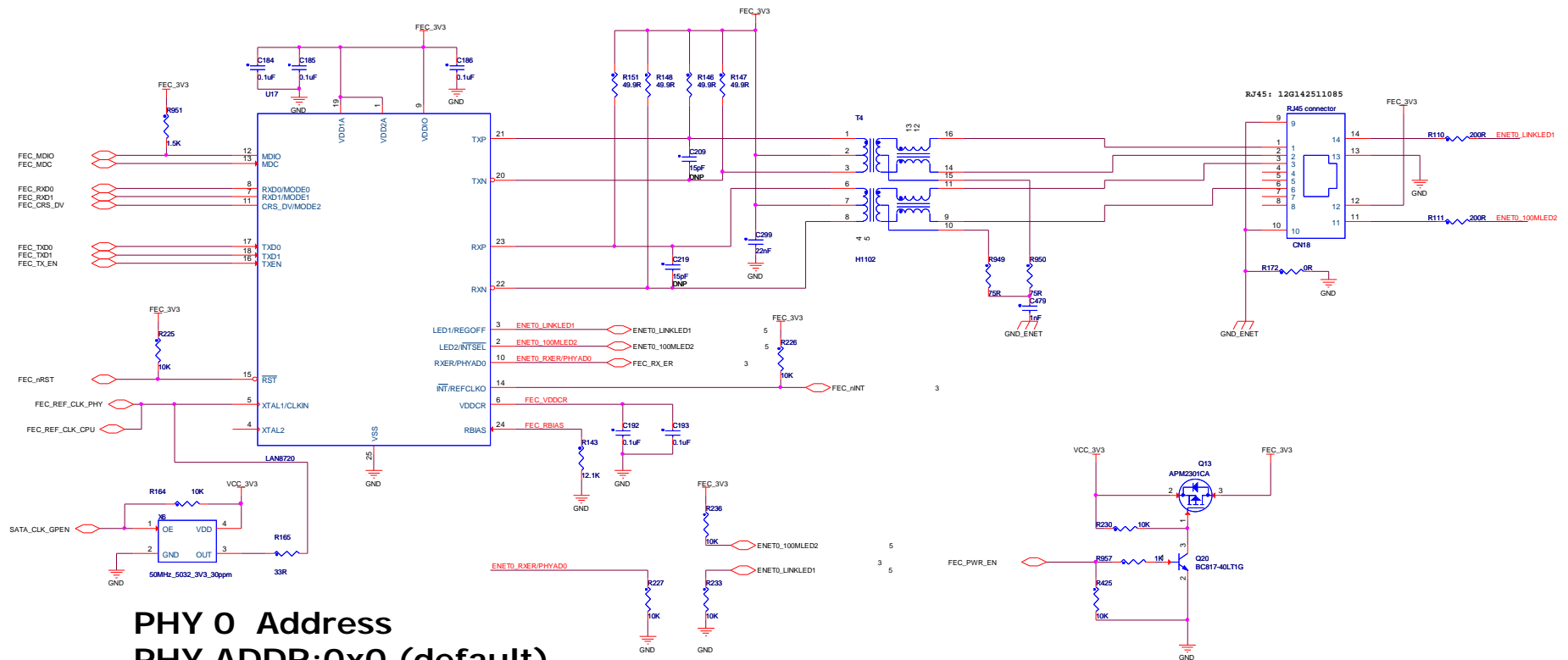


2.8V@500mA LDO



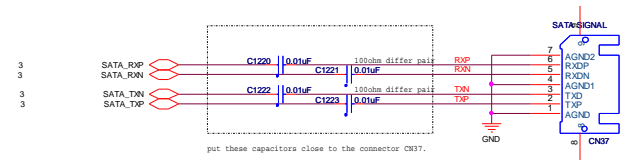
		HARDWARE DEPARTMENT	
This document contains information proprietary and shall not be used for engineering design, procurement or manufacturing in whole or in part without the express written permission of MCHRON(CHINA) Inc.			
Designer:	Design Site:	MX53 MPK1	
Checker:	Page Title:	Power&Charge	
Approver:	Doc ID:	Document Number:	Rev:
	Date:	SOURCE:SCH-0305 PDF-SPF-0305	1/1
		Date:	Friday, December 02, 2011 1:58:44 PM

# FAST ETHERNET PHY



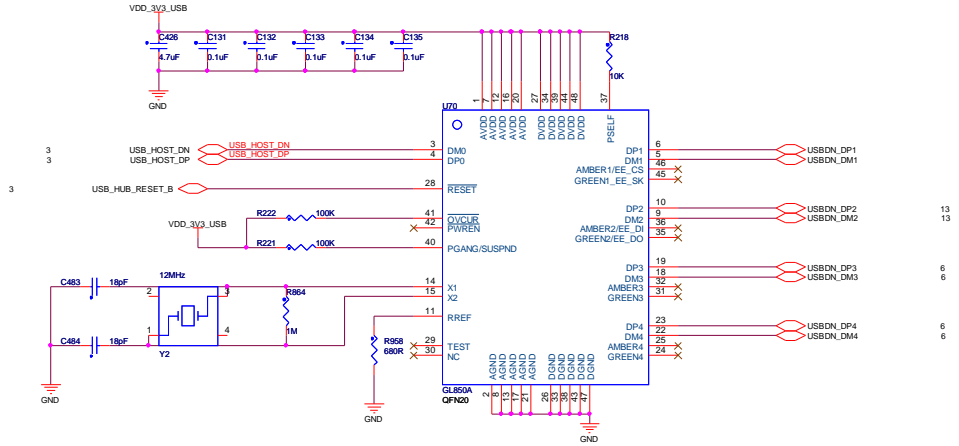
**PHY 0 Address**  
**PHY ADDR:0x0 (default)**

# SATA

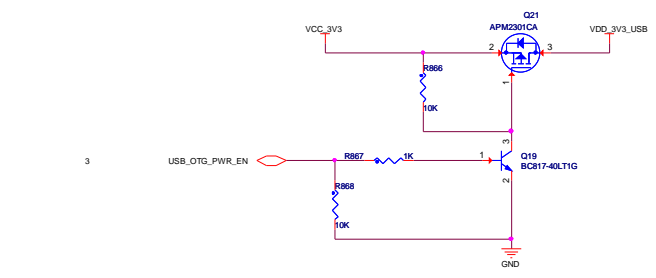
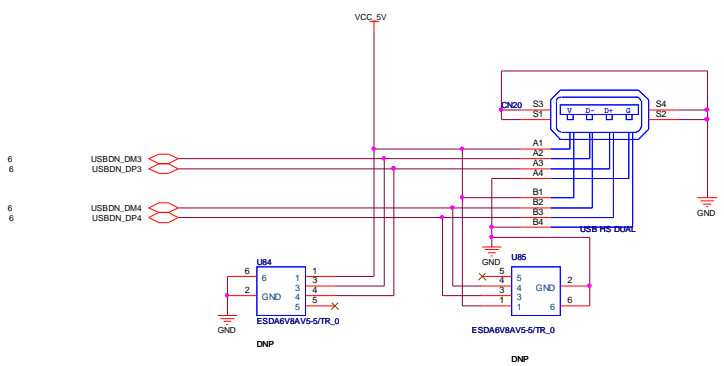
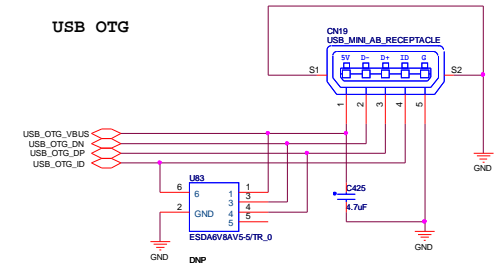



		<b>HARDWARE DEPARTMENT</b>	
This document contains information proprietary and shall not be used for engineering design, procurement or manufacture in whole or in part without the express written permission of MORNINGHAN, Inc.			
Designer: -<Design>	Drawing Title: <b>MX53 MPK1</b>		
Drawn by: -<Draw>	Page Title: <b>FEC &amp; SATA</b>		
Approved: -<Approv>	Size C	Document Number SOURCE: SCH-63025 PDF: SPF-63025	Rev A
Date:	Fri, 12 Dec 2011	Sheet	6 of 18

**USB HOST**

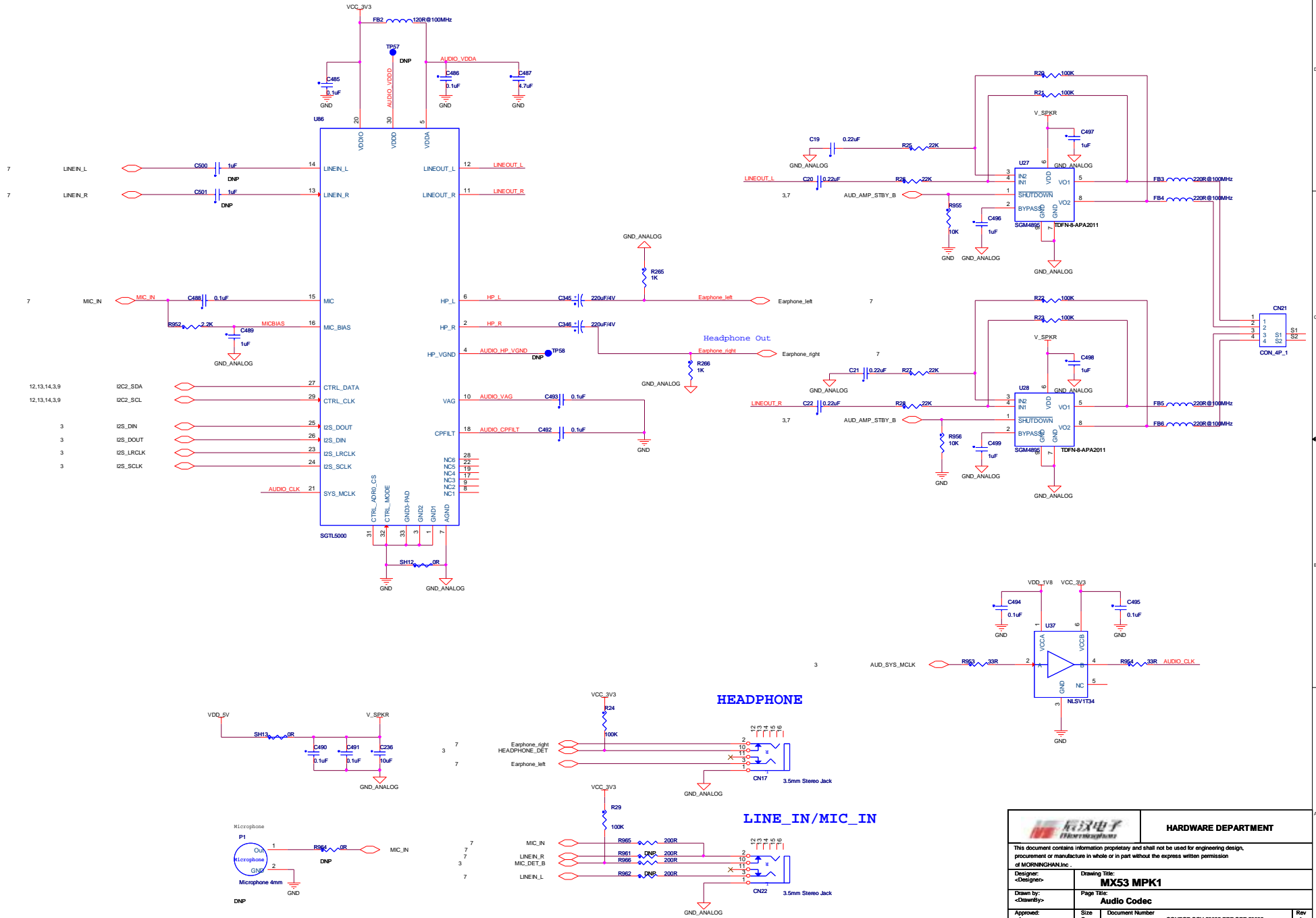


**USB OTG**



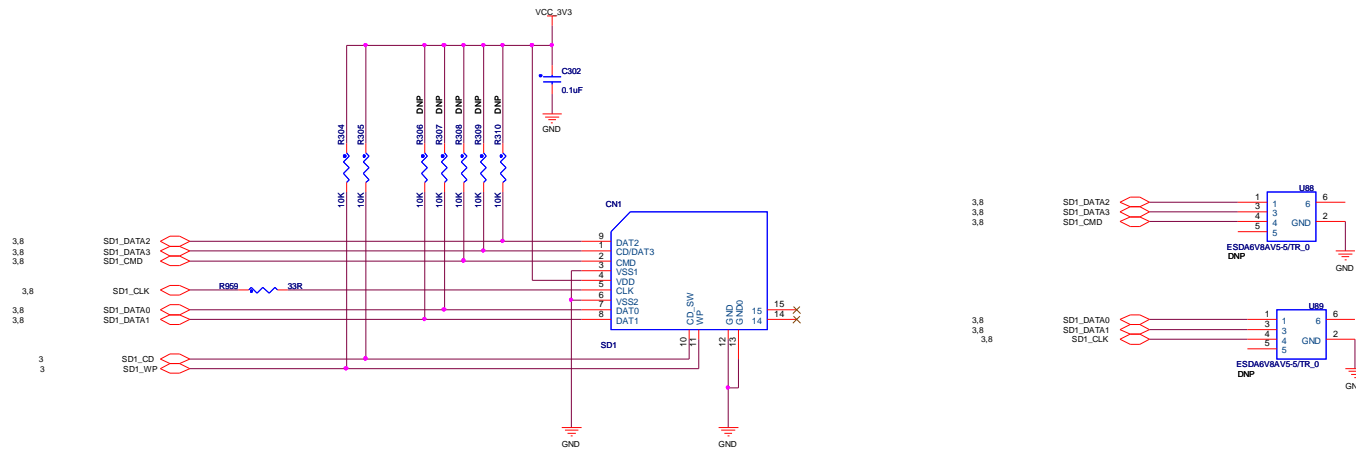
		<b>HARDWARE DEPARTMENT</b>	
<small>This document contains information proprietary and shall not be used for engineering design, procurement or manufacture in whole or in part without the express written permission of MORNINGHAN, Inc.</small>			
Designer: -<Design>-	Drawing Title: <b>MX53 MPK1</b>		
Drawn by: -<Draw>-	Page Title: <b>USB HOST&amp;OTG</b>		
Approved: -<Approv>-	Size C	Document Number SOURCE: SCH-63025 PDF: SPF-63025	Rev A
Date: Friday, December 02, 2011		Sheet 6 of 18	

# Audio CODEC

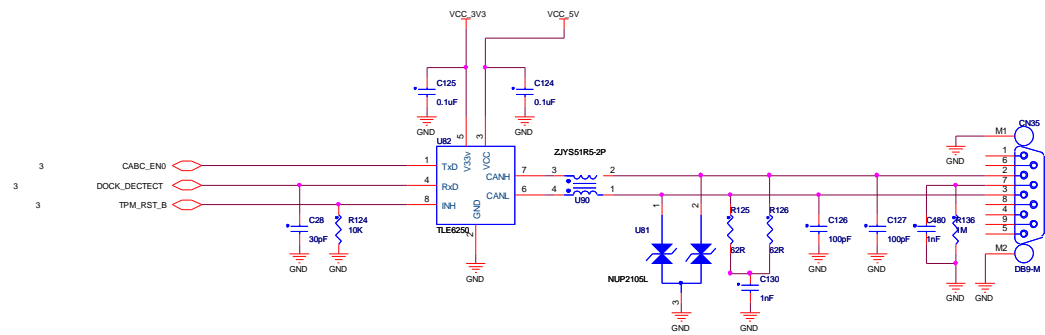



		<b>HARDWARE DEPARTMENT</b>	
This document contains information proprietary and shall not be used for engineering design, procurement or manufacture in whole or in part without the express written permission of MORNINGHAN, Inc.			
Designer: -<Design>	Drawing Title: <b>MX53 MPK1</b>		
Drawn by: -<Draw>	Page Title: <b>Audio Codec</b>		
Approved: -<Approv>	Size C	Document Number SOURCE: SCH-63025 PDF: SPF-63025	Rev A
Date:	Fri, 09 December 02 2011	Sheet	7 of 18

## SD SLOT



## CAN

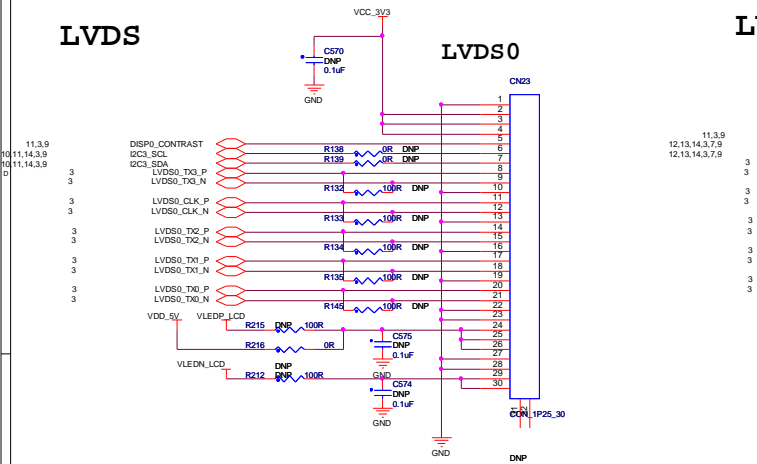


		<b>HARDWARE DEPARTMENT</b>	
<small>This document contains information proprietary and shall not be used for engineering design, procurement or manufacture in whole or in part without the express written permission of MORNINGHAN, Inc.</small>			
Designer: <-Designer>	Drawing Title: <b>MX53 MPK1</b>		
Drawn by: <-Drawn by>	Page Title: <b>SD SLOT&amp;CAN</b>		
Approved: <-Approver>	Size C	Document Number SOURCE: SCH-63025 PDF: SPF-63025	Rev A
Date: Eidsiv, December 02, 2011		Sheet 8 of 18	



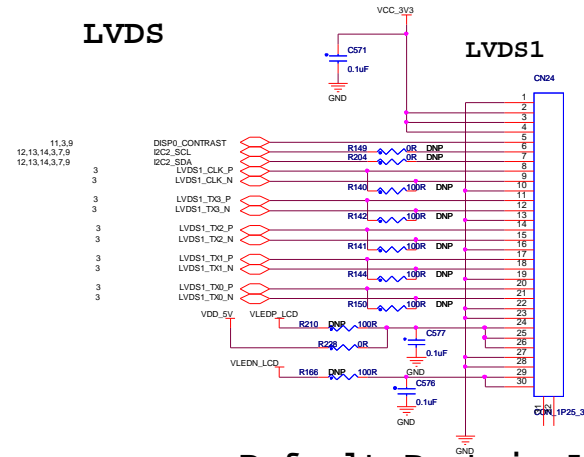
# LVDS

## LVDS0



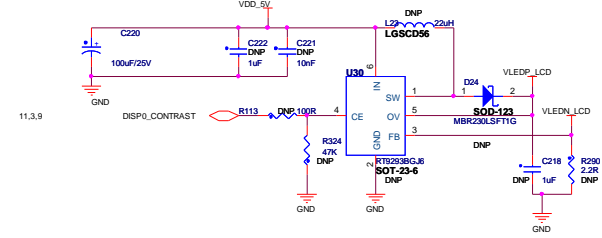
# LVDS

## LVDS1

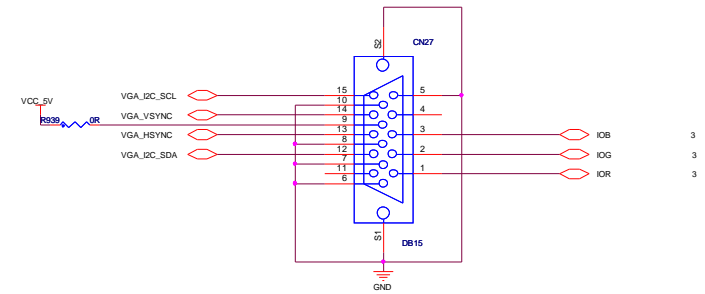
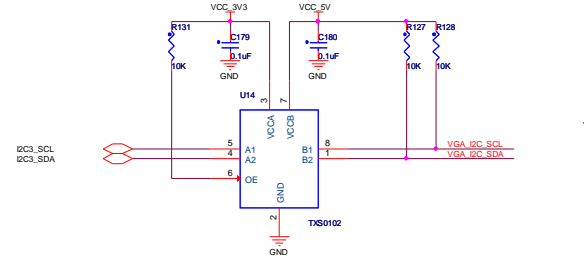
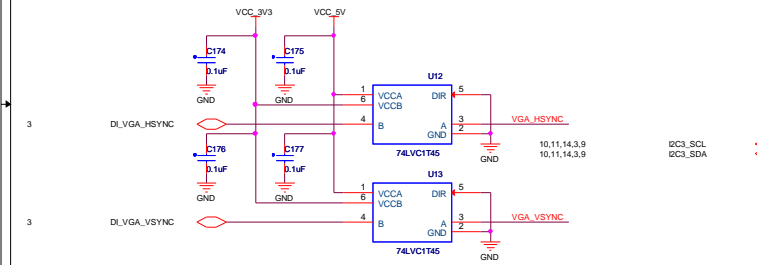


# Default Port is LVDS1

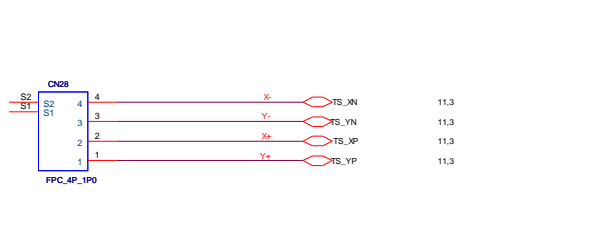
support for the LVDS screen of TPAD and MIPAD products  
CN23 CN24的pin 31和pin 32是固定脚



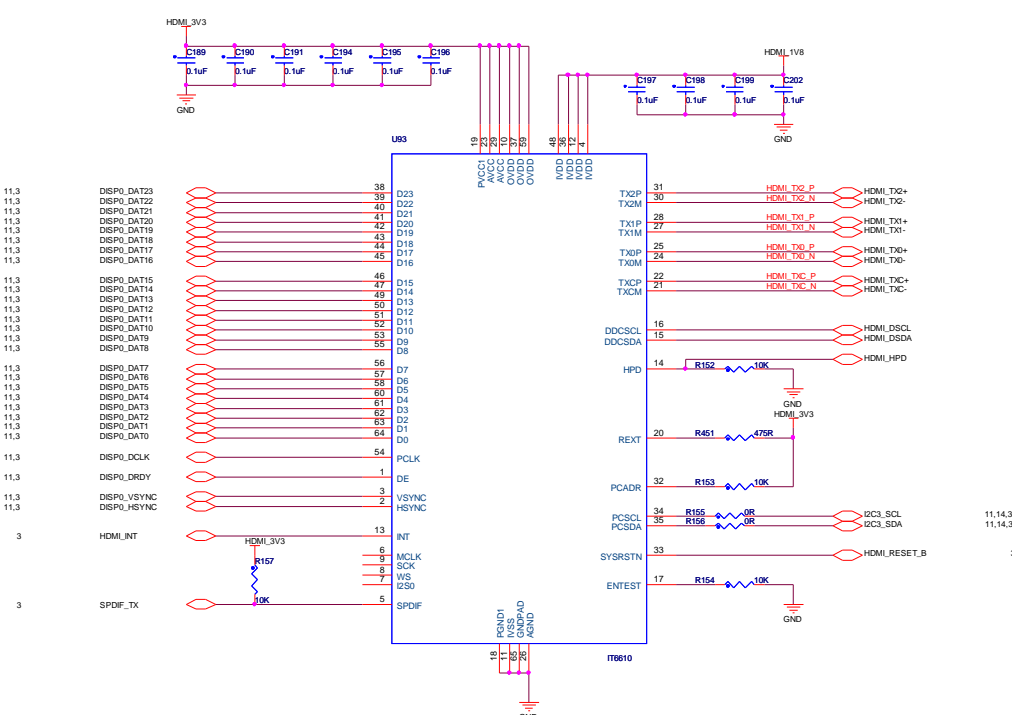
# VGA



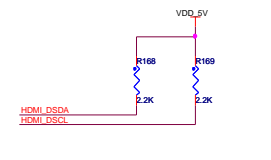
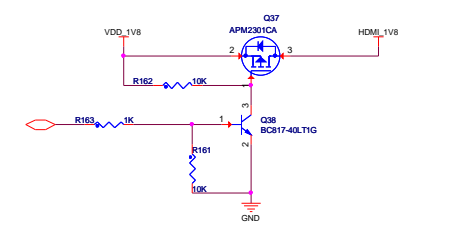
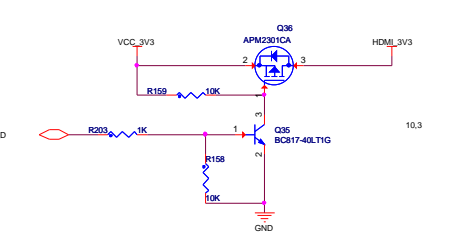
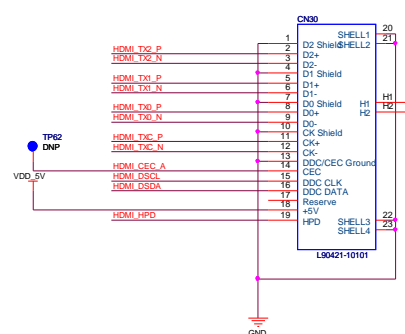
# TOUCH




		<b>HARDWARE DEPARTMENT</b>	
<small>This document contains information proprietary and shall not be used for engineering design, procurement or manufacture in whole or in part without the express written permission of MORNINGHAN, Inc.</small>			
Designer: <Design>	Drawing Title: <b>MX53 MPK1</b>		
Drawn by: <Draw>	Page Title: <b>LVDS &amp; Touch &amp; VGA</b>		
Approved: <Approve>	Size C	Document Number SOURCE: SCH-63025 PDF: SPF-63025	Rev A
Date: Friday, December 02, 2011		Sheet 9 of 18	

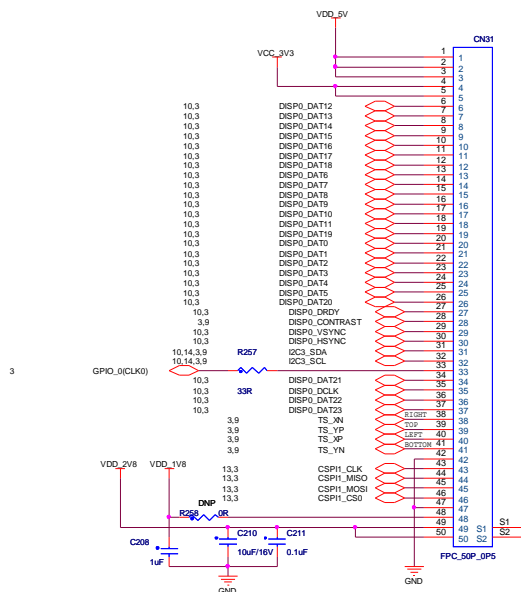


Mini HDMI (TYPE C)



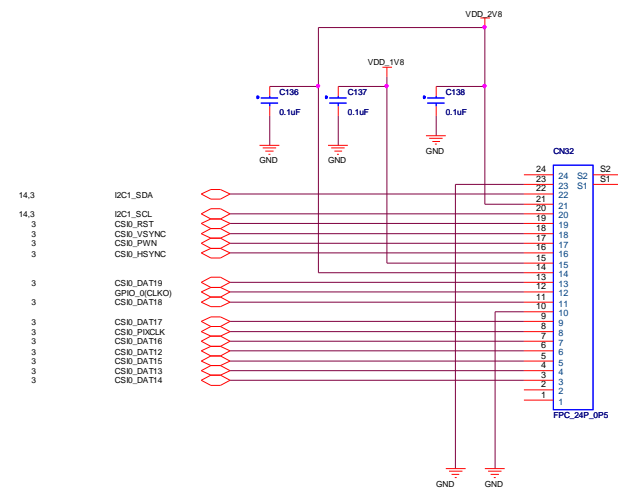
		<b>HARDWARE DEPARTMENT</b>	
<small>This document contains information proprietary and shall not be used for engineering design, procurement or manufacture in whole or in part without the express written permission of MORNINGHAN, Inc.</small>			
Designer: <-Design-	Drawing Title: <b>MX53 MPK1</b>		
Drawn by: <-Draw-	Page Title: <b>HDMI</b>		
Approved: <-Approve-	Size C	Document Number SOURCE-SCH-63025 PDF-SPF-63025	Rev A
Date: Friday, December 02, 2011		Sheet 10 of 16	


# LCD



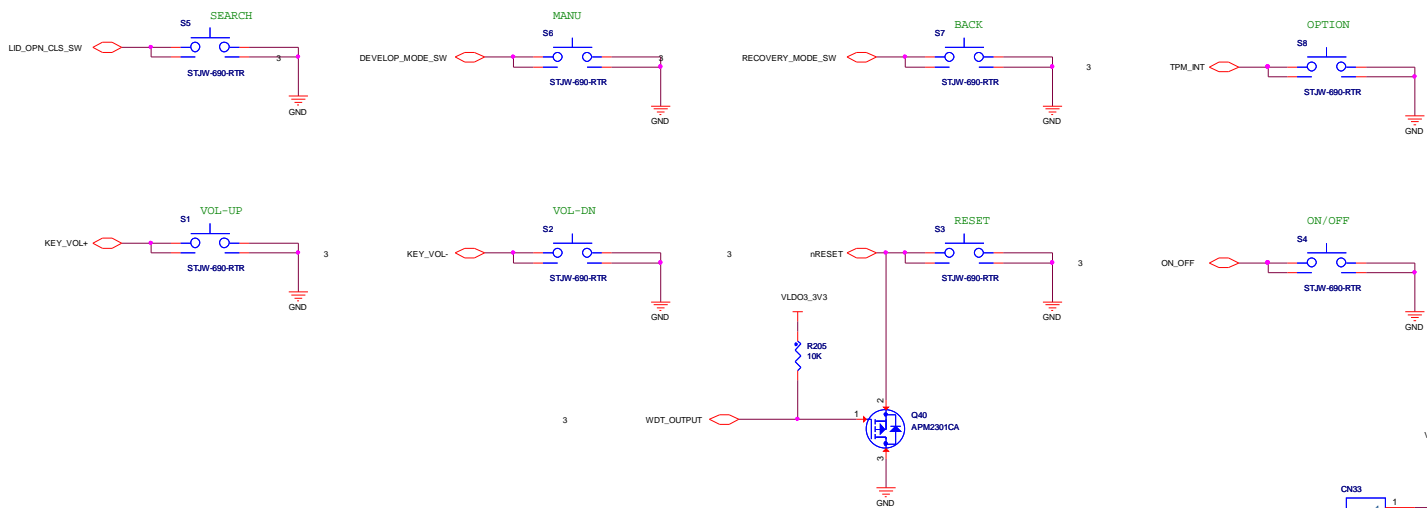
同mx35 MDK1

# CMOS

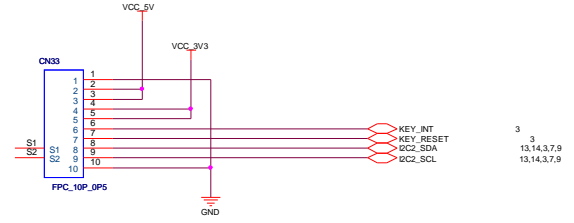
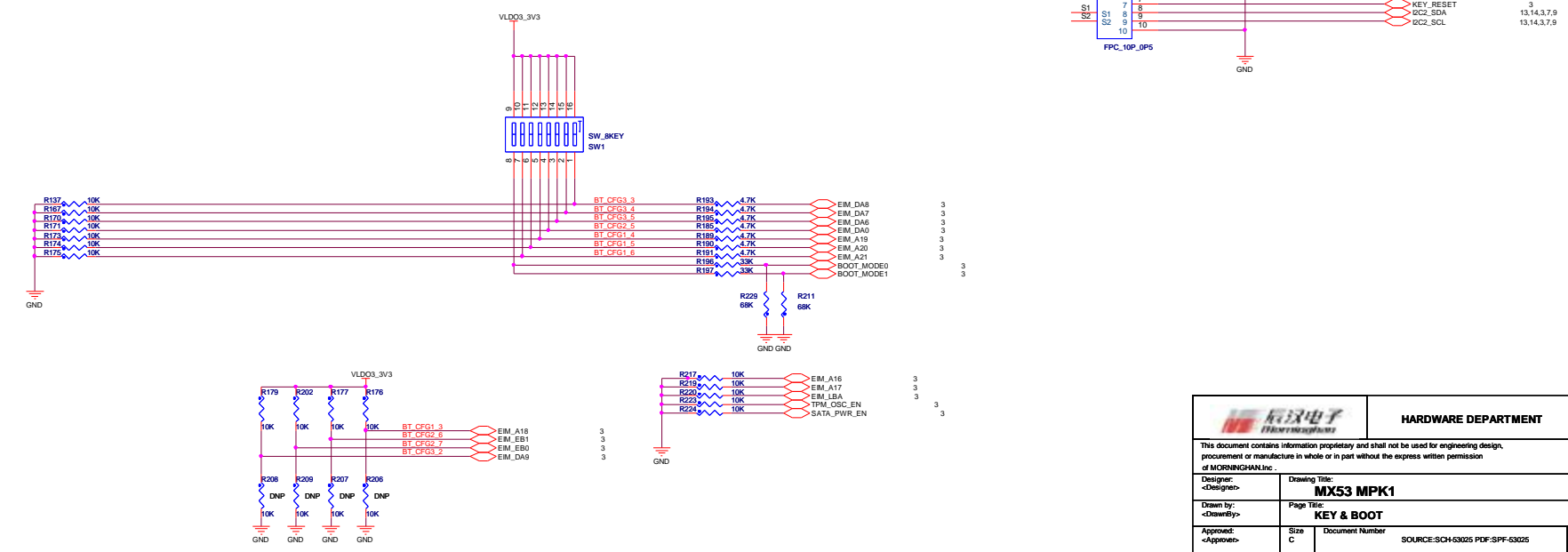


		<b>HARDWARE DEPARTMENT</b>	
<small>This document contains information proprietary and shall not be used for engineering design, procurement or manufacture in whole or in part without the express written permission of MORNINGHAN, Inc.</small>			
Designer: <-Designer>	Drawing Title: <b>MX53 MPK1</b>		
Drawn by: <-Drawn by>	Page Title: <b>LCD&amp;CMOS</b>		
Approved: <-Approver>	Size C	Document Number SOURCE:SCH-63025 PDF:SPF-63025	Rev A
Date:		Friday, December 02, 2011	Sheet 11 of 18

# U/I KEY

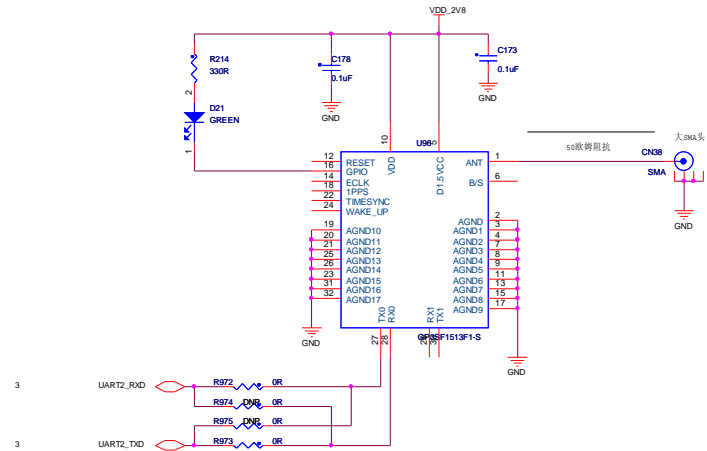


# BOOT

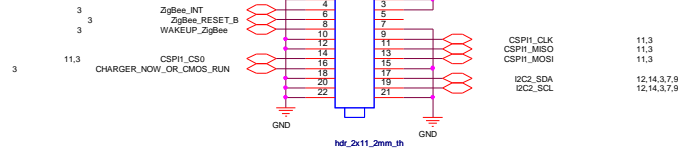


		<b>HARDWARE DEPARTMENT</b>	
This document contains information proprietary and shall not be used for engineering design, procurement or manufacture in whole or in part without the express written permission of MORNINGHAN, Inc.			
Designer: -Designer-	Drawing Title: <b>MX53 MPK1</b>		
Drawn by: -DrawnBy-	Page Title: <b>KEY &amp; BOOT</b>		
Approved: -Approver-	Size C	Document Number SOURCE: SCH-63025 PDF: SPF-63025	Rev A
Date: Friday, December 02, 2011	Sheet 12		of 18

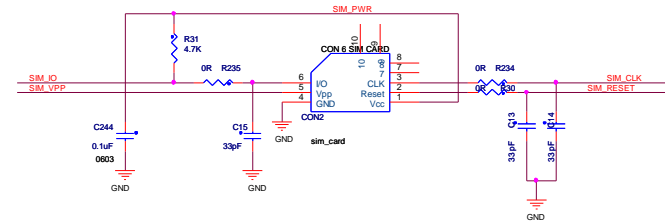
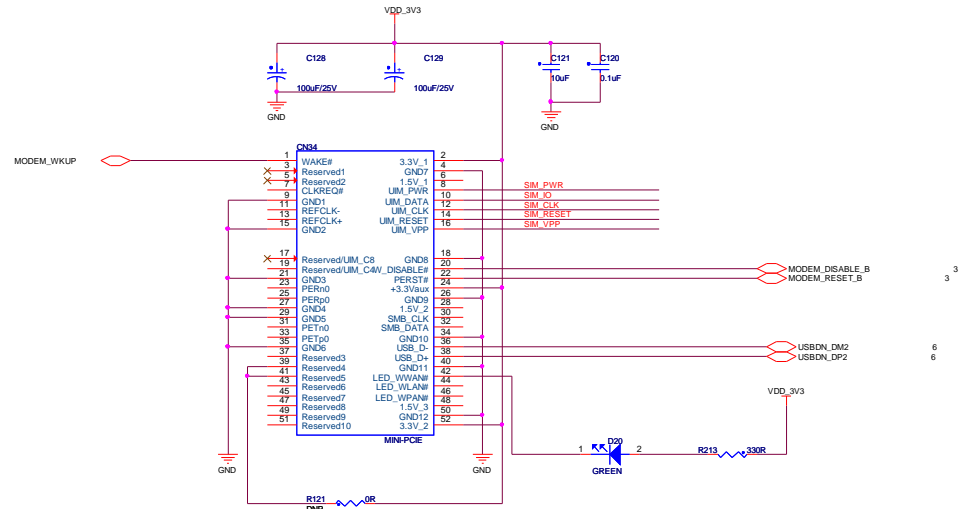
# GPS Receiver




# ZigBee

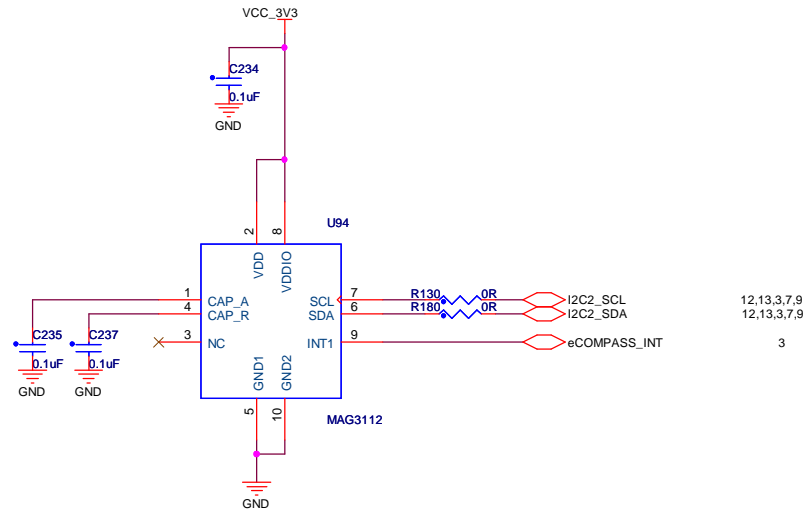


# 3G Modem(Mini-PCIE)



		<b>HARDWARE DEPARTMENT</b>	
<small>This document contains information proprietary and shall not be used for engineering design, procurement or manufacture in whole or in part without the express written permission of MORNINGHAN, Inc.</small>			
Designer: <small>&lt;-Designer&gt;</small>	Drawing Title: <b>MX53 MPK1</b>		
Drawn by: <small>&lt;-Drawn by&gt;</small>	Page Title: <b>GPS&amp;ZIGBEE&amp;3G</b>		
Approved: <small>&lt;-Approver&gt;</small>	Size C	Document Number SOURCE: SCH-63025 PDF: SPF-63025	Rev A
Date: Friday, December 02, 2011		Sheet 13 of 18	

# Digital eCompass (MAG3112 as default)

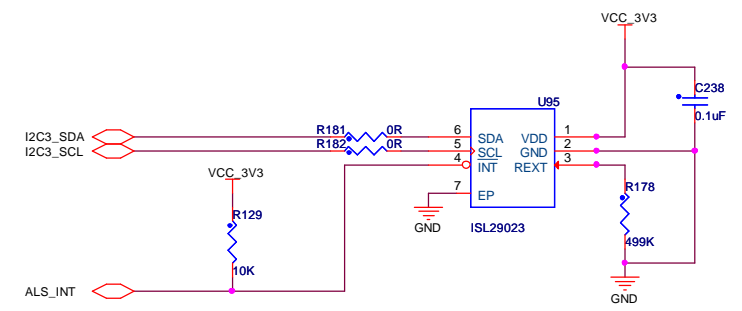


10,11,3,9  
10,11,3,9

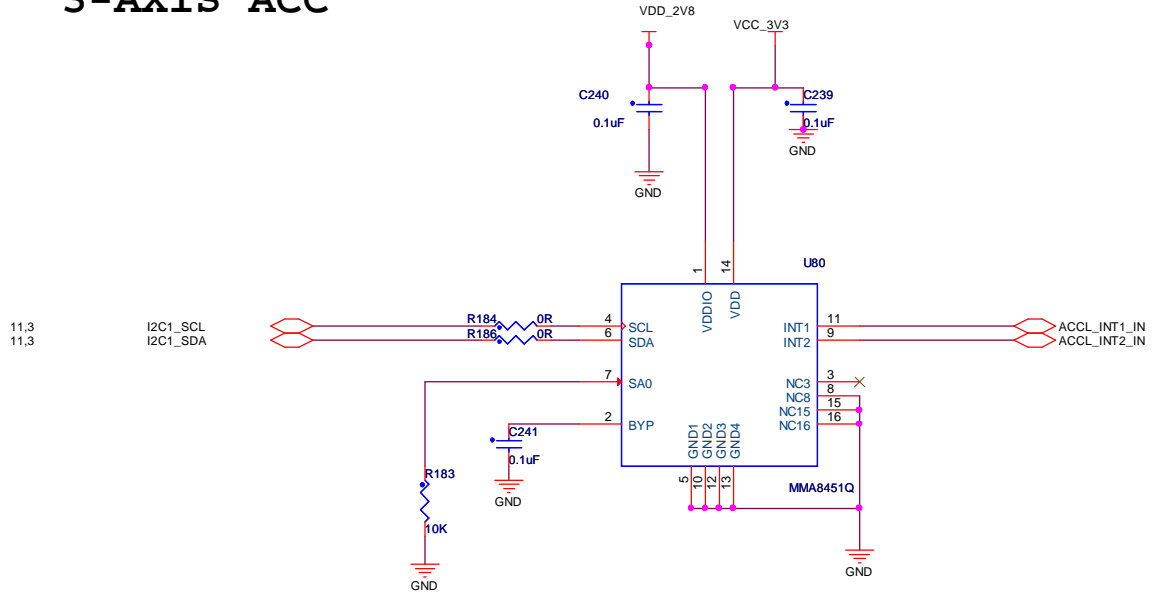
12,13,3,7,9  
12,13,3,7,9

3

# Ambient Light Sensor




# 3-AXIS ACC



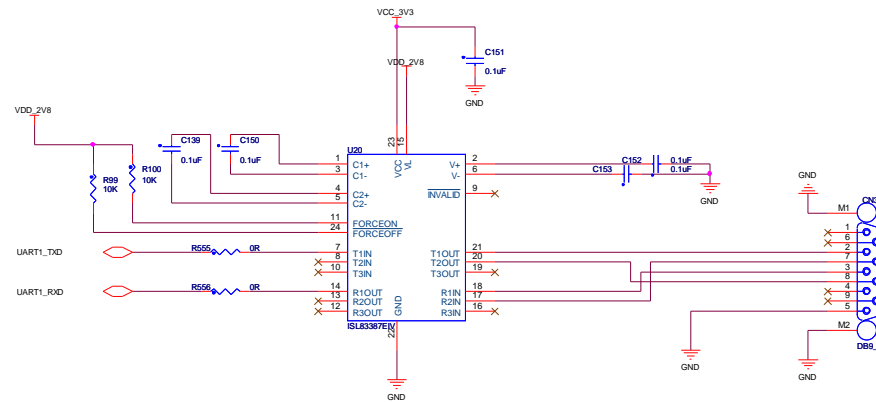
11,3  
11,3


I2C1\_SCL  
I2C1\_SDA

3  
3

		<b>HARDWARE DEPARTMENT</b>	
<small>This document contains information proprietary and shall not be used for engineering design, procurement or manufacture in whole or in part without the express written permission of MORNINGHAN, Inc.</small>			
Designer: <Designer>	Drawing Title: <b>MX53 MPK1</b>		
Drawn by: <DrawnBy>	Page Title: <b>Sensor</b>		
Approved: <Approver>	Size B	Document Number SOURCE: SCH-53025 PDF: SPF-53025	Rev A
Date: Friday, December 02, 2011		Sheet 14 of 16	





		<b>HARDWARE DEPARTMENT</b>	
<small>This document contains information proprietary and shall not be used for engineering design, procurement or manufacture in whole or in part without the express written permission of MORNINGHAN, Inc.</small>			
Designer: -<Designer>	Drawing Title: <b>MX53 MPK1</b>		
Drawn by: -<DrawBy>	Page Title: <b>Debug &amp; MISC</b>		
Approved: -<Approver>	Size C	Document Number SOURCE: SCH-63025 PDF: SPF-63025	Rev A
Date: Friday, December 02, 2011		Sheet 16 of 18	