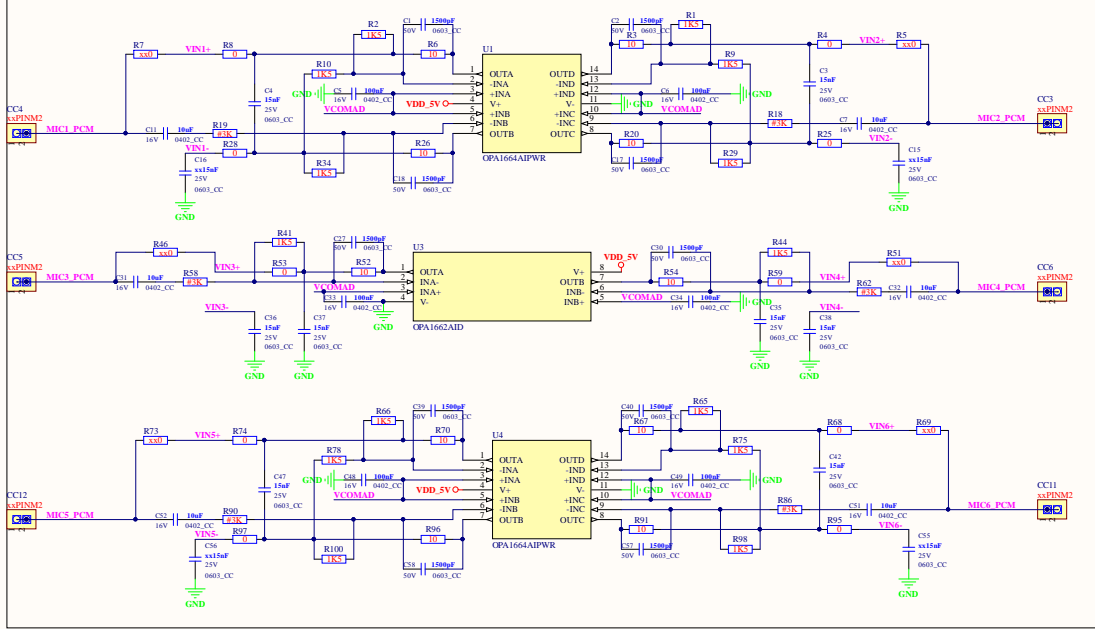
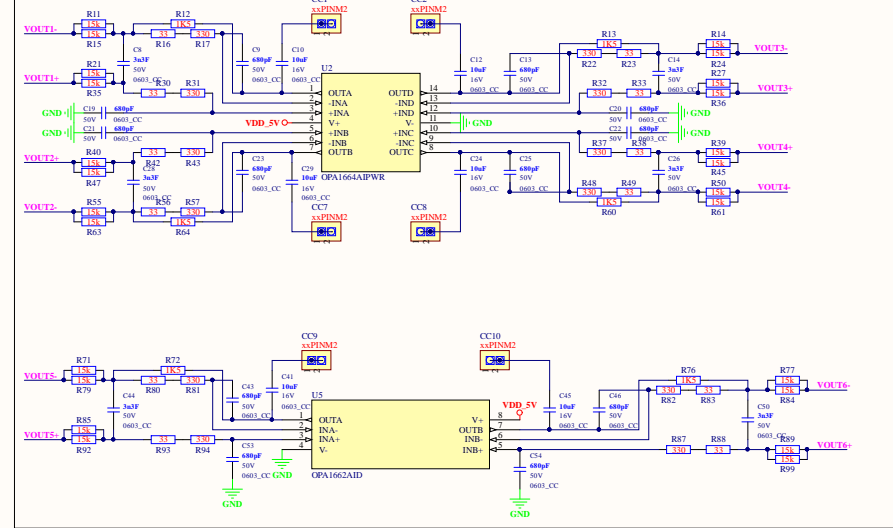


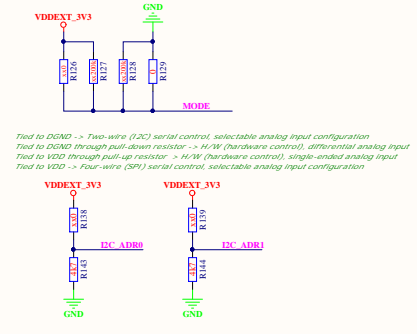
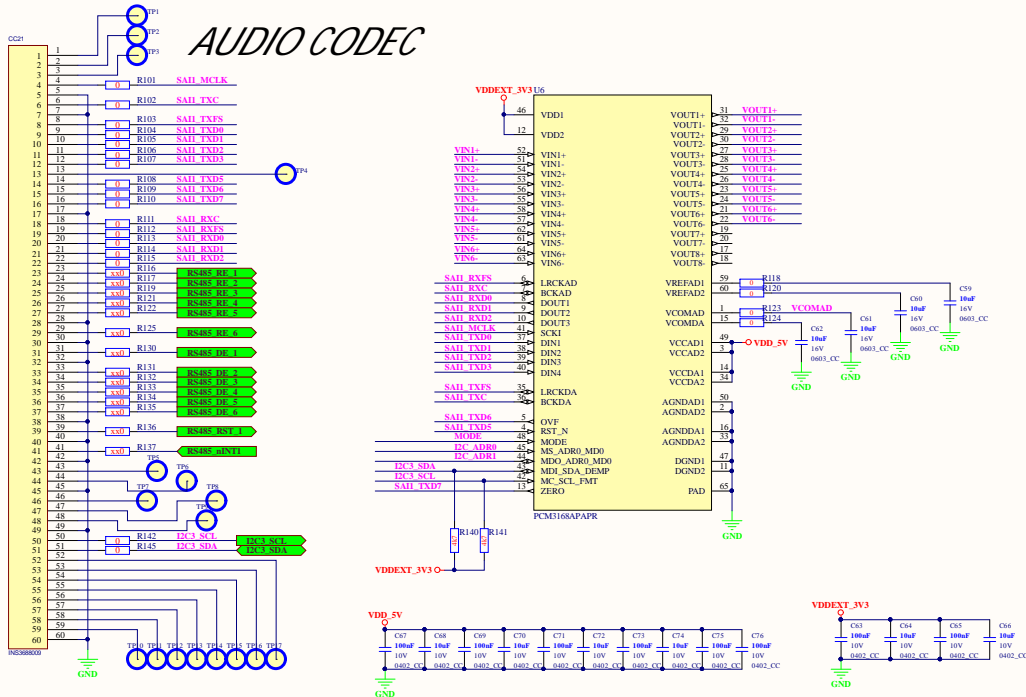
MICROPHONE



SPEAKER



AUDIO CODEC



Tied to DGND -> Two-wire (I2C) serial control, selectable analog input configuration
 Tied to DGND through pull-down resistor -> HW (hardware control), differential analog input
 Tied to VDD through pull-up resistor -> HW (hardware control), single-ended analog input
 Tied to VDD -> Four-wire (SPI) serial control, selectable analog input configuration

