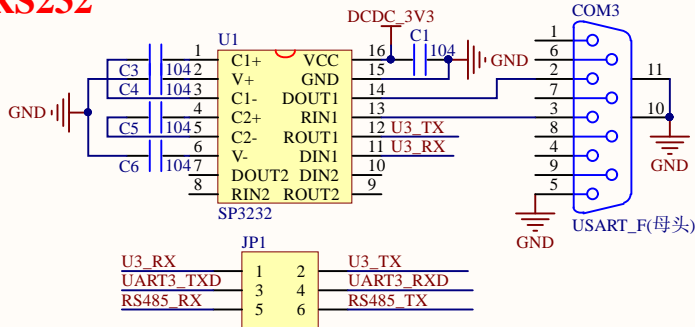
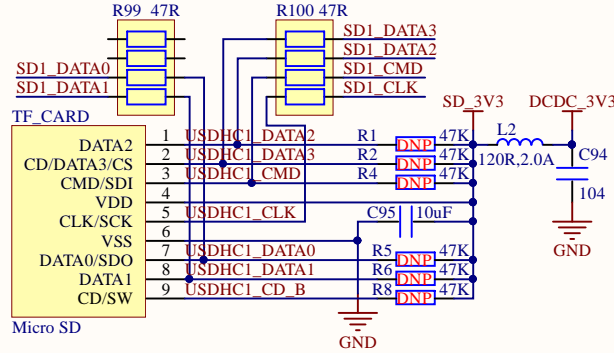


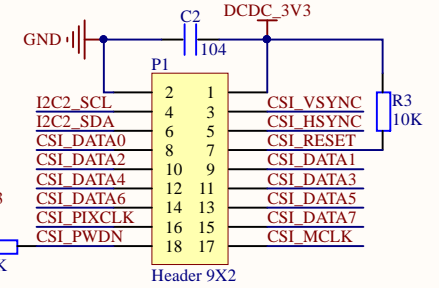
RS232



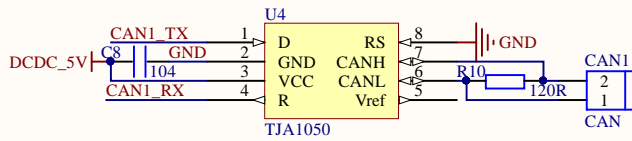
SD CARD



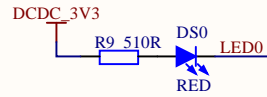
CAMERA



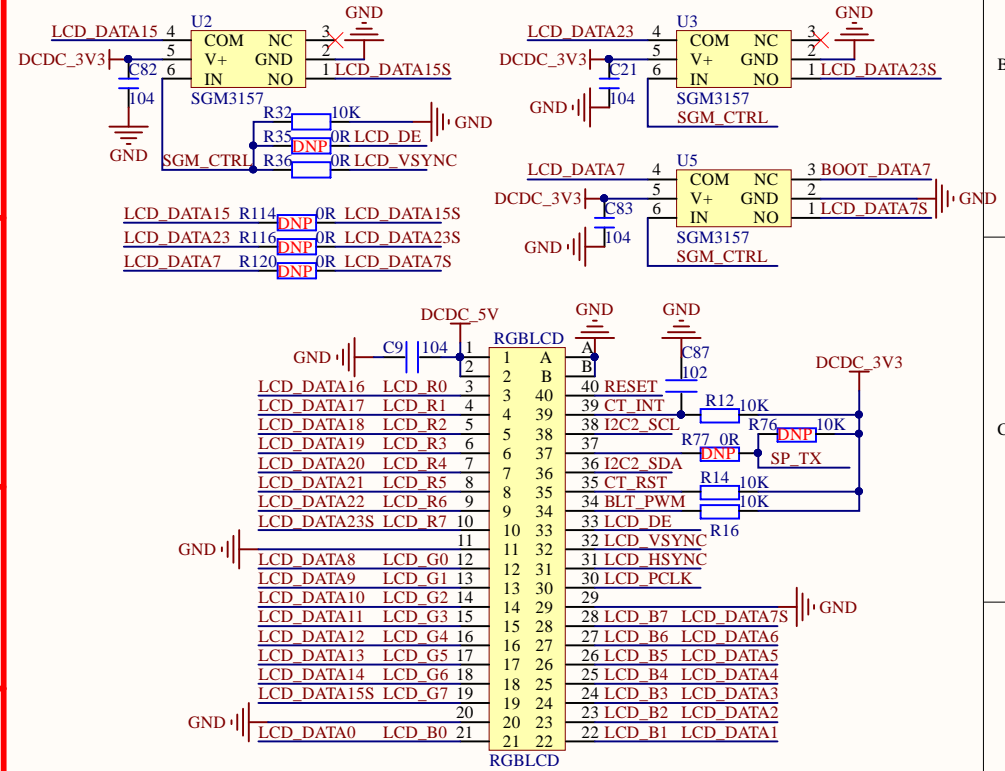
CAN



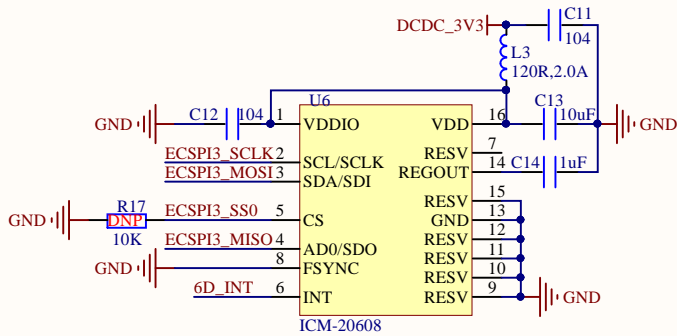
LED



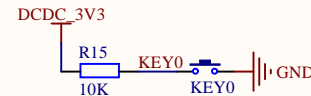
RGB LCD



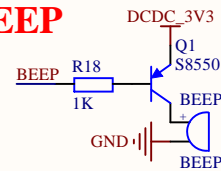
6 AXIS SENSOR



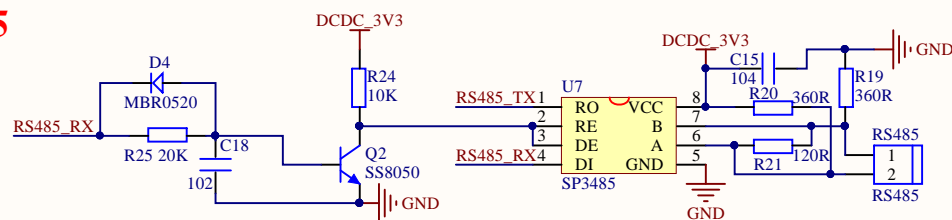
KEY



BEEP



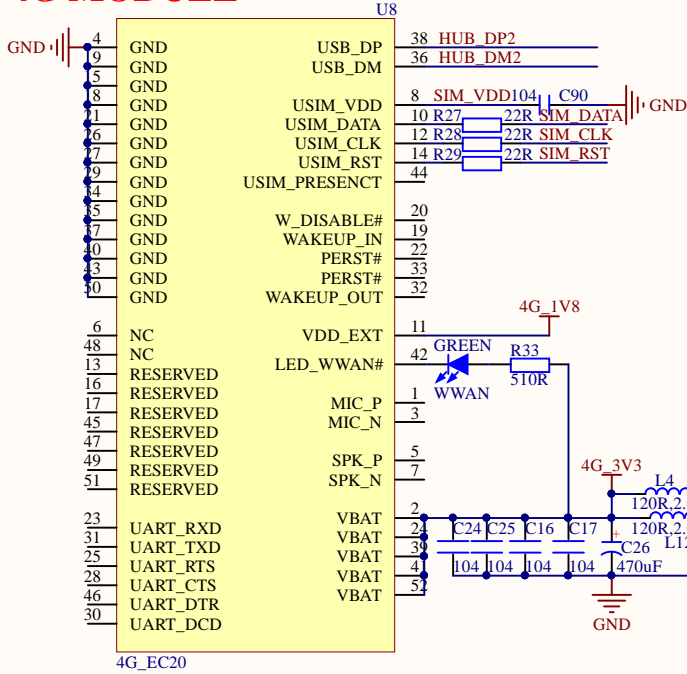
RS485



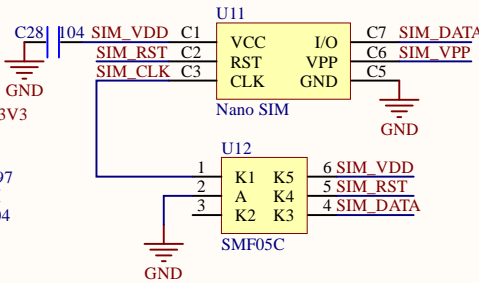
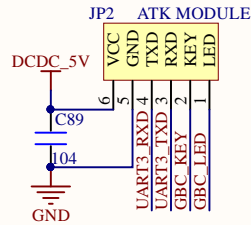
Title:		
Author:	lycreturn@ALIENTEK	Size: A4
Date:	2019-11-23	File: IMX6UL_ALPHA_DEVICE1.SchDoc
Revision:		Version: V1.0

Cannot open file
D:\Program

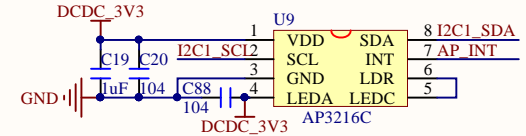
4G MODULE



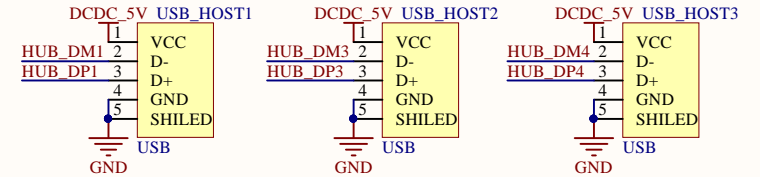
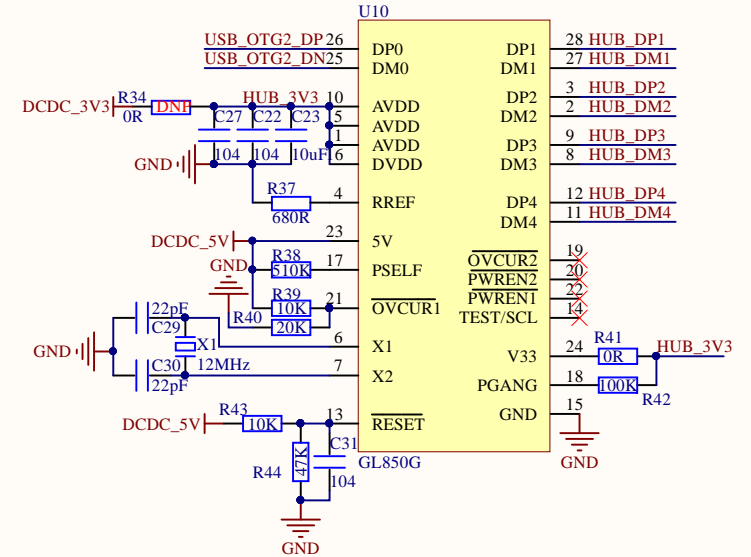
ATK MODULE



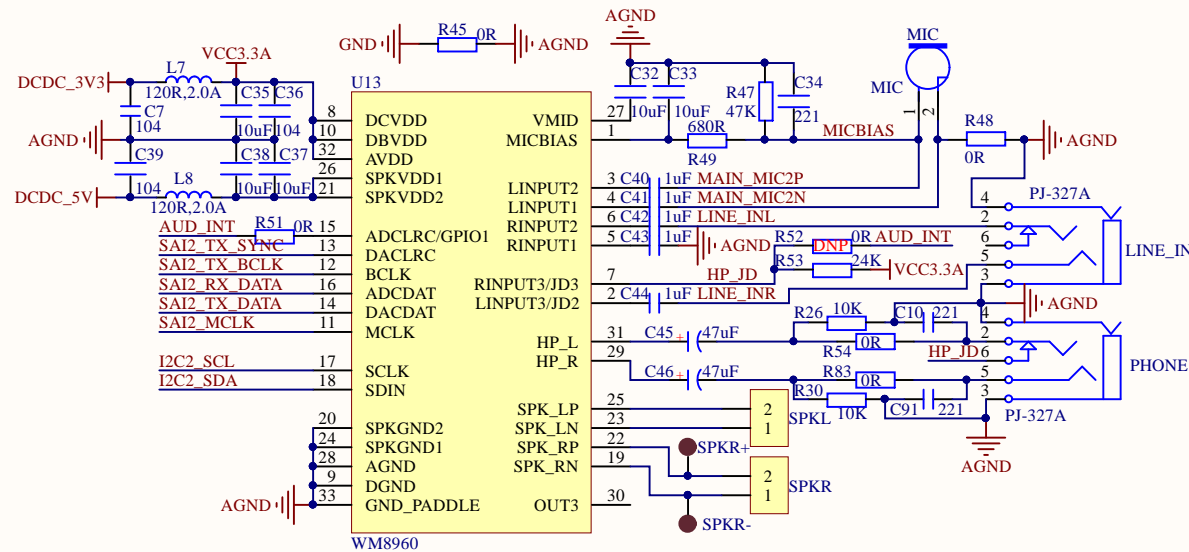
ALS&PS SENSOR



USB HUB

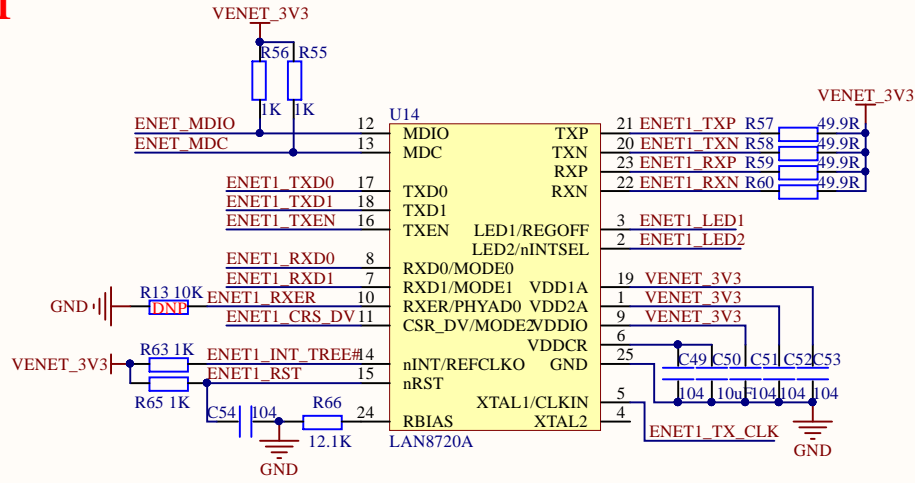


AUDIO

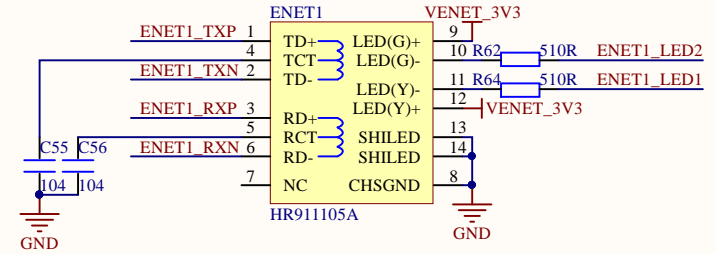
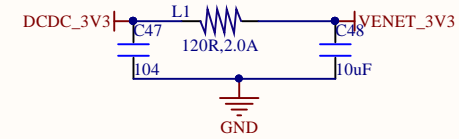


Title:		*	
Author:	lycreturn@ALIENTEK	Size:	A4
Date:	2019-11-23	File:	IMX6UL_ALPHA_DEVICE2.SchDoc
Revision:	0	Version:	V1.0
		Cannot open file D:\Program	

ENET1



PHY ADDR:0x0



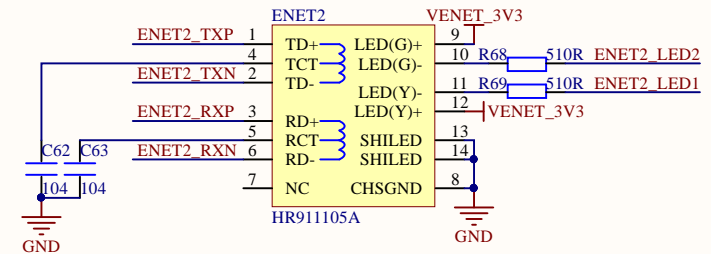
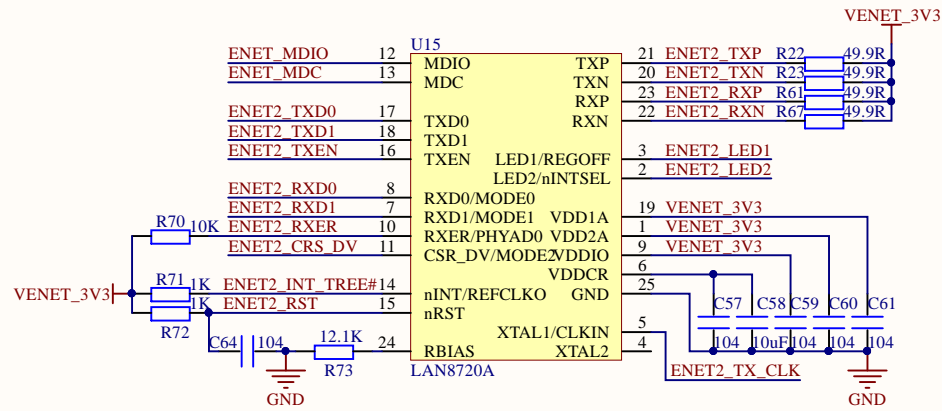
IO

UART5_TXD	I2C2_SCL	1	2	UART5_RXD	I2C2_SDA
UART4_TXD	I2C1_SCL	3	4	UART4_RXD	I2C1_SDA
UART3_RTS	CAN1_RX	5	6	UART3_CTS	CAN1_TX
UART3_RXD		7	8	UART3_TXD	
UART2_CTS	CAN2_TX	9	10	UART2_RTS	CAN2_RX
UART2_RXD	ECSPI3_SCLK	11	12	UART2_TXD	ECSPI3_SS0
GPIO_8	BLT_PWM	13	14	JTAG_MOD	6D_INT
GPIO_3	LED0	15	16	GPIO_9	CT_INT
GPIO_1		17	18	UART1_CTS	KEY0
GPIO_2		19	20	GPIO_4	
GPIO_0	USB_OTG1_ID	21	22	SNVS_TAMPER2	WIFI_INT
SNVS_TAMPER7	ENET1_RST	23	24	SNVS_TAMPER5	ENET1_INT_TREE#
BOOT_MODE1		25	26	SNVS_TAMPER8	ENET2_RST
SNVS_TAMPER0	WIFI_REG_ON	27	28	BOOT_MODE0	
ON_OFF		29	30	SNVS_TAMPER1	BEEP
SNVS_TAMPER4	AUD_INT	31	32		

JP6

Title:		Cannot open file D:\Program Files\AlienTek\IMX6UL_ALPHA_ENET1.SchDoc
Author:	Size:	
Date:	File:	
Revision:	Version:	

ENET2



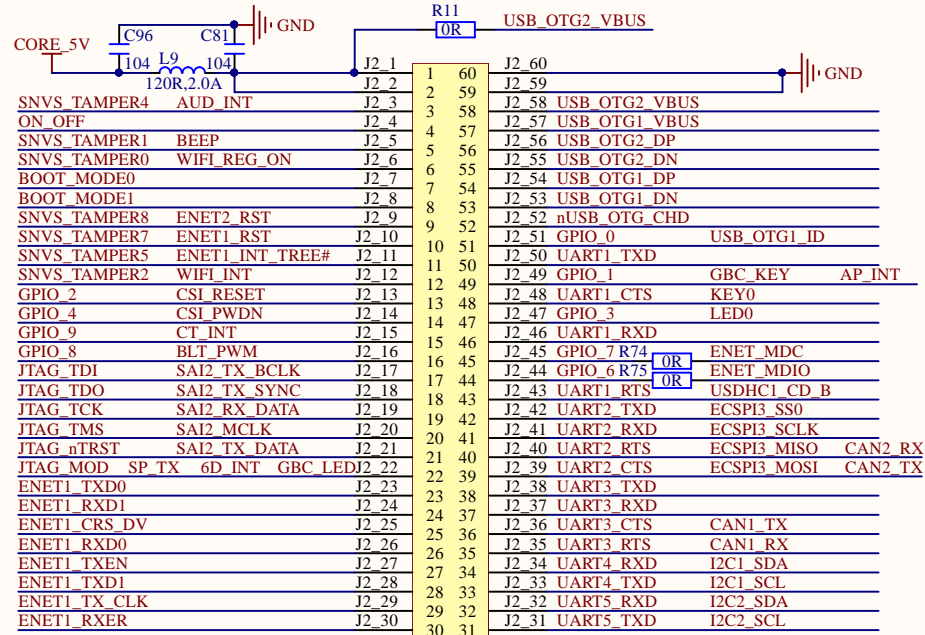
Title: *		Cannot open file D:\Program Files\Autodesk\ME\T... ...
Author: lycreturn@ALIENTEK	Size: A3	
Date: 2019-11-23	File: IMX6UL_ALPHA_ENET2.SchDoc	
Revision: *	Version: V1.0	

CORE

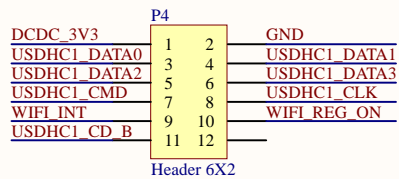
IMX6UL_CORE

CSI_HSYNC	J1_1	1	60	J1_60	CSI_VSYNC
CSI_MCLK	J1_2	2	59	J1_59	CSI_DATA3
CSI_DATA2	J1_3	3	58	J1_58	CSI_DATA7
CSI_DATA6	J1_4	4	57	J1_57	CSI_DATA1
CSI_PIXCLK	J1_5	5	56	J1_56	CSI_DATA0
CSI_DATA5	J1_6	6	55	J1_55	CSI_DATA4
LCD_DATA0	J1_7	7	54	J1_54	SD1_CLK
LCD_DATA1	J1_8	8	53	J1_53	SD1_CMD
LCD_DATA2	J1_9	9	52	J1_52	SD1_DATA2
LCD_DATA3	J1_10	10	51	J1_51	SD1_DATA3
LCD_DATA4	J1_11	11	50	J1_50	SD1_DATA1
LCD_DATA5	J1_12	12	49	J1_49	SD1_DATA0
LCD_DATA6	J1_13	13	48	J1_48	SNVS_TAMPER9 CT_RST
LCD_DATA7	J1_14	14	47	J1_47	GPIO_5 SD1_VSELECT
LCD_DATA8	J1_15	15	46	J1_46	LCD_DE
LCD_DATA9	J1_16	16	45	J1_45	LCD_PCLK
LCD_DATA10	J1_17	17	44	J1_44	LCD_HSYNC
LCD_DATA11	J1_18	18	43	J1_43	LCD_VSYNC
LCD_DATA12	J1_19	19	42	J1_42	
LCD_DATA13	J1_20	20	41	J1_41	PMIC_ON_REQ VDD_COIN_3V
LCD_DATA14	J1_21	21	40	J1_40	RESET
LCD_DATA15	J1_22	22	39	J1_39	SNVS_TAMPER6 ENET2_INT_TREE#
LCD_DATA16	J1_23	23	38	J1_38	ENET2_RXD0
LCD_DATA17	J1_24	24	37	J1_37	ENET2_RXD1
LCD_DATA18	J1_25	25	36	J1_36	ENET2_TXD0
LCD_DATA19	J1_26	26	35	J1_35	ENET2_TXD1
LCD_DATA20	J1_27	27	34	J1_34	ENET2_RXER
LCD_DATA21	J1_28	28	33	J1_33	ENET2_CRSDV
LCD_DATA22	J1_29	29	32	J1_32	ENET2_TXEN
LCD_DATA23	J1_30	30	31	J1_31	ENET2_TX_CLK

IMX6UL_CORE



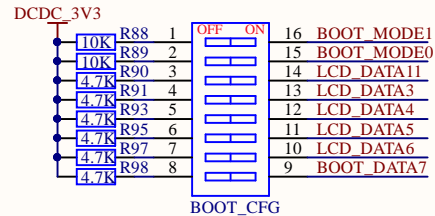
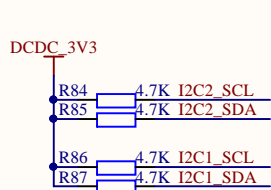
WIFI



BOOT

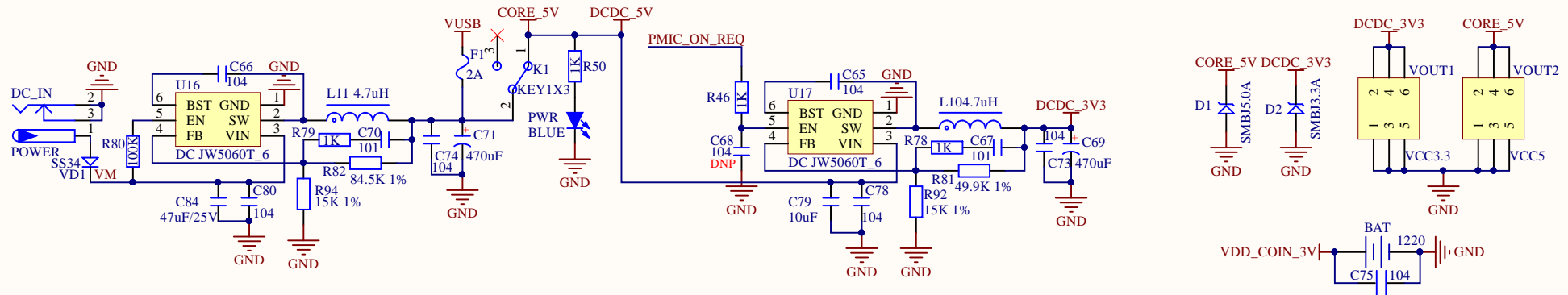
SW								BOOT DEVICE
D1	D2	D3	D4	D5	D6	D7	D8	
OFF	ON	OFF	OFF	OFF	OFF	OFF	OFF	USB
ON	OFF	OFF	OFF	OFF	OFF	ON	OFF	MicroSD
ON	OFF	ON	OFF	OFF	ON	ON	OFF	EMMC
ON	OFF	OFF	OFF	ON	OFF	OFF	ON	NAND

I2C

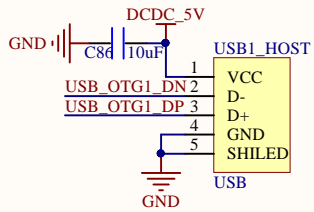


Title:		
Author: lycreturn@ALIENTEK	Size: A3	Cannot open file D:\Program ...
Date: 2019-11-23	File: IMX6UL_ALPHA_PIN.SchDoc	
Revision:	Version: V1.0	
*		

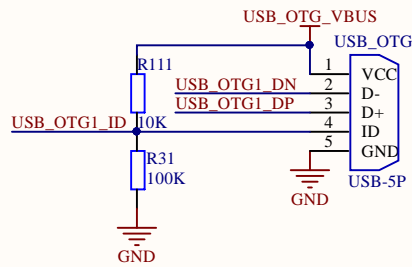
DC POWER IN



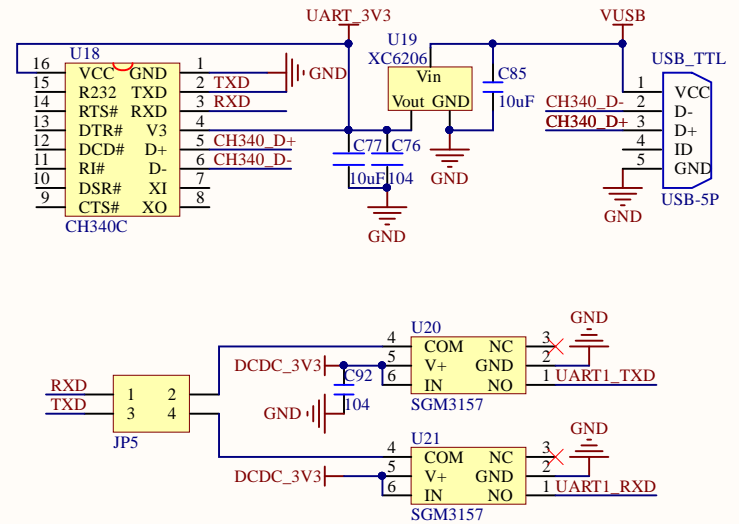
USB HOST



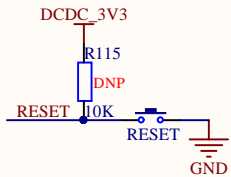
USB OTG



USB USART&USB POWER



RESET



Title:		Cannot open file D:\Program Reset
Author: lycreturn@ALIENTEK		
Date: 2019-11-23	Size: A3	
Revision:	File: IMX6UL_ALPHA_POWER.SchDoc	
	Version: V1.0	