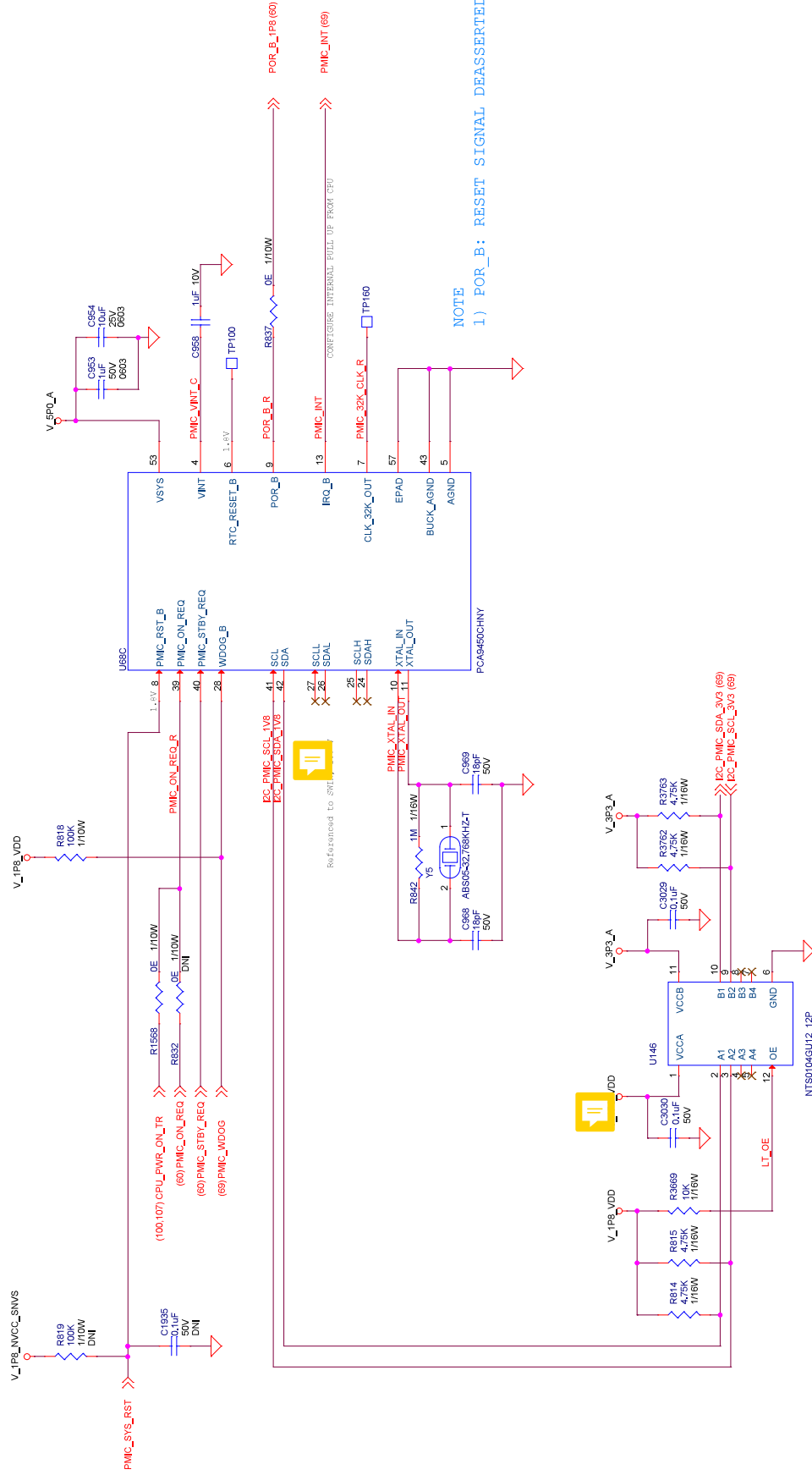


# PMIC for iMX-8 [1/2]



NOTE

1) POR\_B: RESET SIGNAL DEASSERTED USED AS POWER GOOD

Product: **MPM** P/N: <P/N>

Title: P063 IMX-PMIC Rev: **A**

Author: Harpreet Mittal Date: Wednesday, July 05, 2022 Sheet 05 of 108