


# IMX-MIPI-HDMI



**CONFIDENTIAL AND PROPRIETARY**

|   |  |   |  |   |            |
|---|--|---|--|---|------------|
| -Variant Name-  |  |  |  | <b>Microcontroller Product Group</b><br>6501 William Cannon Drive West<br>Austin, TX 78735-8598 |            |
| <small>This document contains information proprietary to NXP and shall not be used for engineering design, procurement or manufacture in whole or in part without the express written permission of NXP Semiconductors.</small> |  |   |  |   |            |
| Designer:<br>WVDN   |  | Drawing Title:<br><b>IMX-MIPI-HDMI</b>  |  |   |            |
| Drawn by:<br>WVDN   |  | Page Title:<br><b>FRONT PAGE</b>  |  |   |            |
| Approved:<br>NXP  |  | Size:<br>A2   | Document Number:<br>SOURCE: SCH-29678-C1 PDF: SFP-29678-C1 |   | Rev:<br>C1 |
| Date:<br>Tuesday, January 23, 2018  |  | Sheet:<br>1 of 7  |  |   |            |

| REV | Revision Notes                                | Date       |
|-----|---|------------|
| A1  | Initial release                               | 27-01-2017 |
| B1  | Mini SAS connector is updated with shell part | 26-05-2017 |
| C1  | All parts updated from FCL library            | 23-01-2018 |


## MIPI TO HDMI DAUGHTER CARD

**Part Number : IMX-MIPI-HDMI**

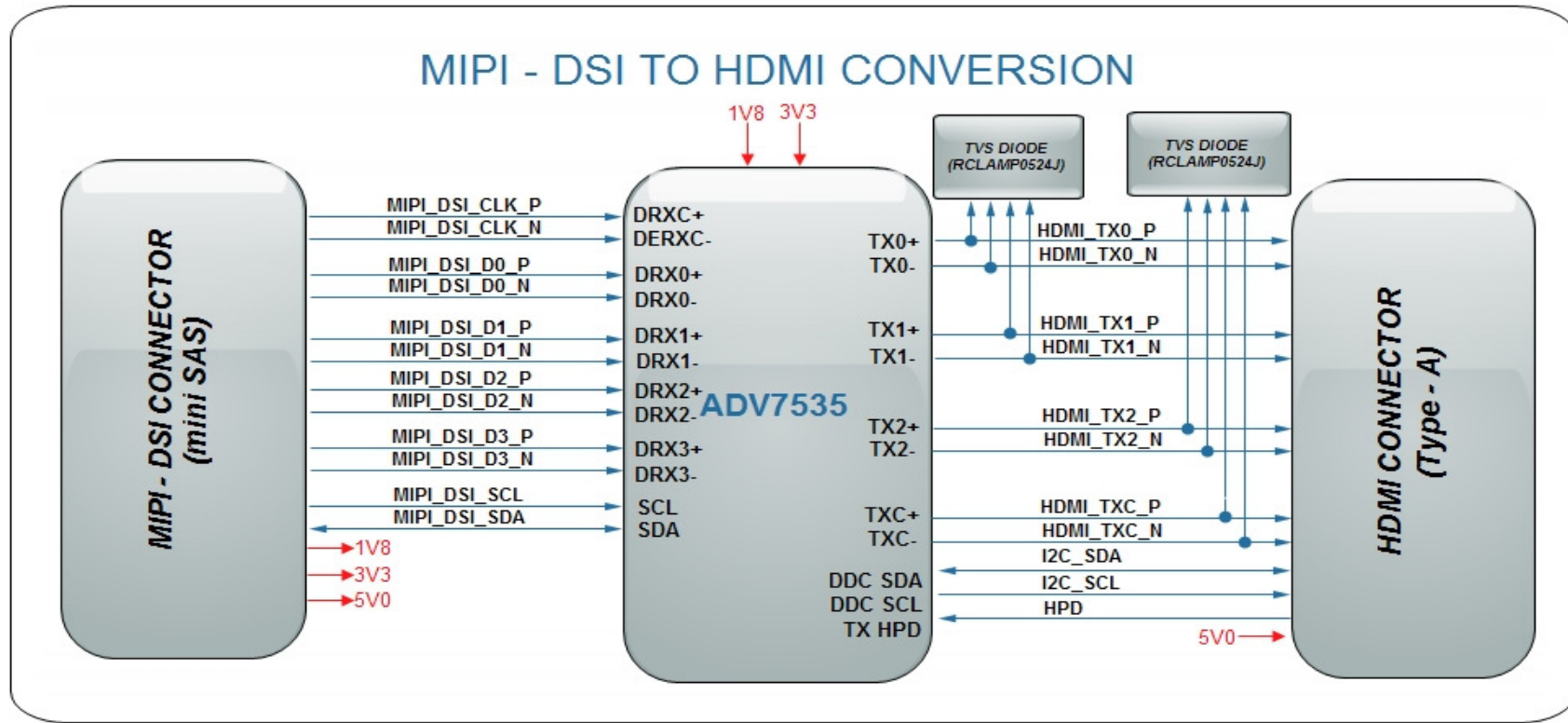
| Content |                        |
|---------|------------------------|
| Page No | Sheet Name             |
| 01      | FRONT PAGE             |
| 02      | TITLE PAGE             |
| 03      | BLOCK DIAGRAM          |
| 04      | MIPI TO HDMI CONVERTER |
| 05      | MIPI CONNECTOR         |
| 06      | HDMI CONNECTOR         |
| 07      | MISCELLANEOUS          |

**DNP appearing near a component signifies "do not populate." These parts are not installed.**

<Variant Name>

|  |  |   |           |
|--|--|---|-----------|
|   |  | <b>Microcontroller Product Group</b><br>6501 William Cannon Drive West<br>Austin, TX 78735-8598 |           |
| This document contains information proprietary to NXP and shall not be used for engineering design, procurement or manufacture in whole or in part without the express written permission of NXP Semiconductors. |  |   |           |
|  |  | ICAP Classification: CP: IJQ: X PUBI:   |           |
| Designer:<br>VVDN  | Drawing Title:<br><b>IMX-MIPI-HDMI</b> |   |           |
| Drawn by:<br>VVDN  | Page Title:<br><b>TITLE PAGE</b>       |   |           |
| Approved:<br>NXP   | Size<br>A3                             | Document Number<br>SOURCE: SCH-29678-C1 PDF:SPF-29678-C1  | Rev<br>C1 |
| Date: Tuesday, January 23, 2018  |  | Sheet 2 of 7  |           |

# BLOCK DIAGRAM



<Variant Name>



ICAP Classification: CP: IUO: X PUBL:

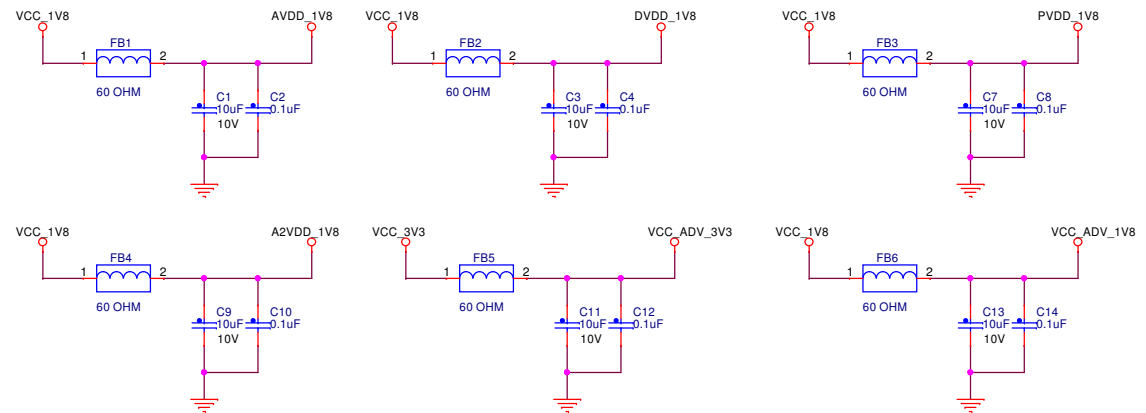
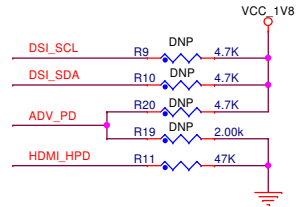
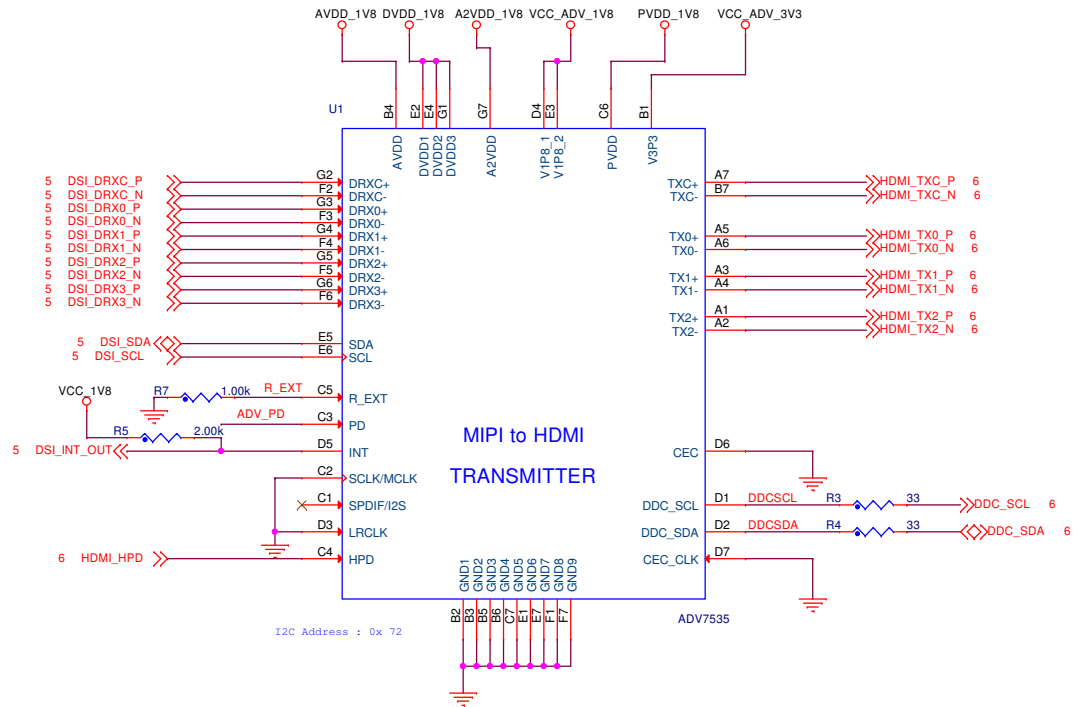
Drawing Title: **IMX-MIPI-HDMI**

Page Title: **BLOCK DIAGRAM**

|            |   |                  |           |
|------------|---|------------------|-----------|
| Size<br>A3 | Document Number<br>SOURCE: SCH-29678-C1 | PDF:SPF-29678-C1 | Rev<br>C1 |
|------------|---|------------------|-----------|

Date: Tuesday, January 23, 2018 Sheet 3 of 7

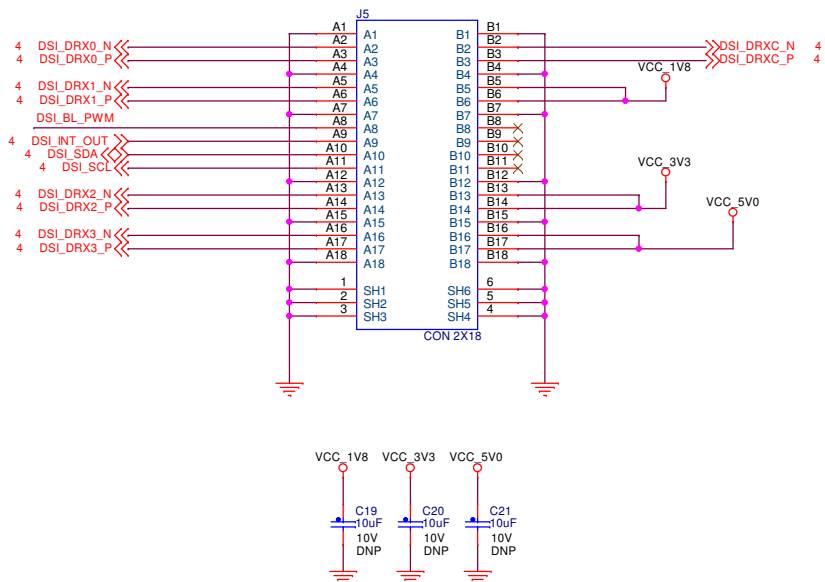
# MIPI TO HDMI CONVERTER



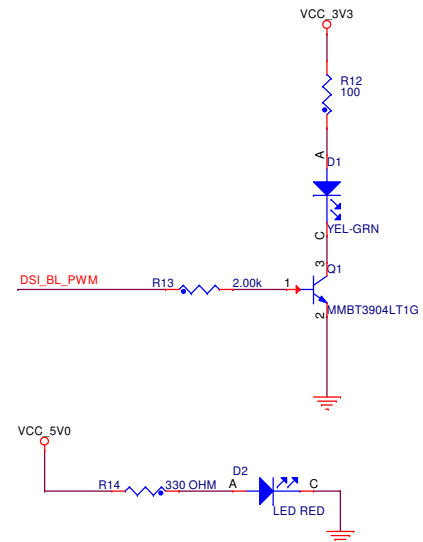
|   |                                      |                  |        |
|---|--------------------------------------|------------------|--------|
|   |                                      |                  |        |
| ICAP Classification: CP: IUO: X PUBI:     |                                      |                  |        |
| Drawing Title: <b>IMX-MIPI-HDMI</b>       |                                      |                  |        |
| Page Title: <b>MIPI TO HDMI CONVERTER</b> |                                      |                  |        |
| Size A3                                   | Document Number SOURCE: SCH-29678-C1 | PDF:SPF-29678-C1 | Rev C1 |
| Date: Tuesday, January 23, 2018           | Sheet 4 of 7                         |                  |        |

# MIPI CONNECTOR

## mSAS CONNECTOR



## LED INDICATION

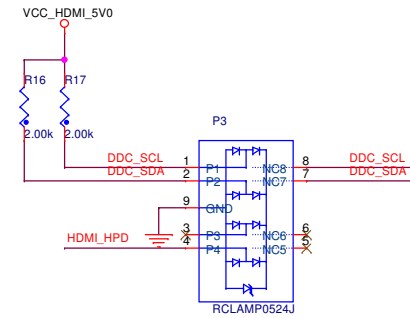
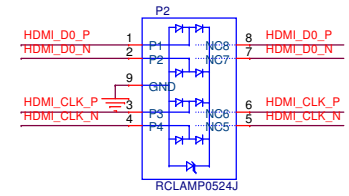
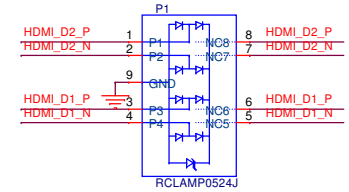
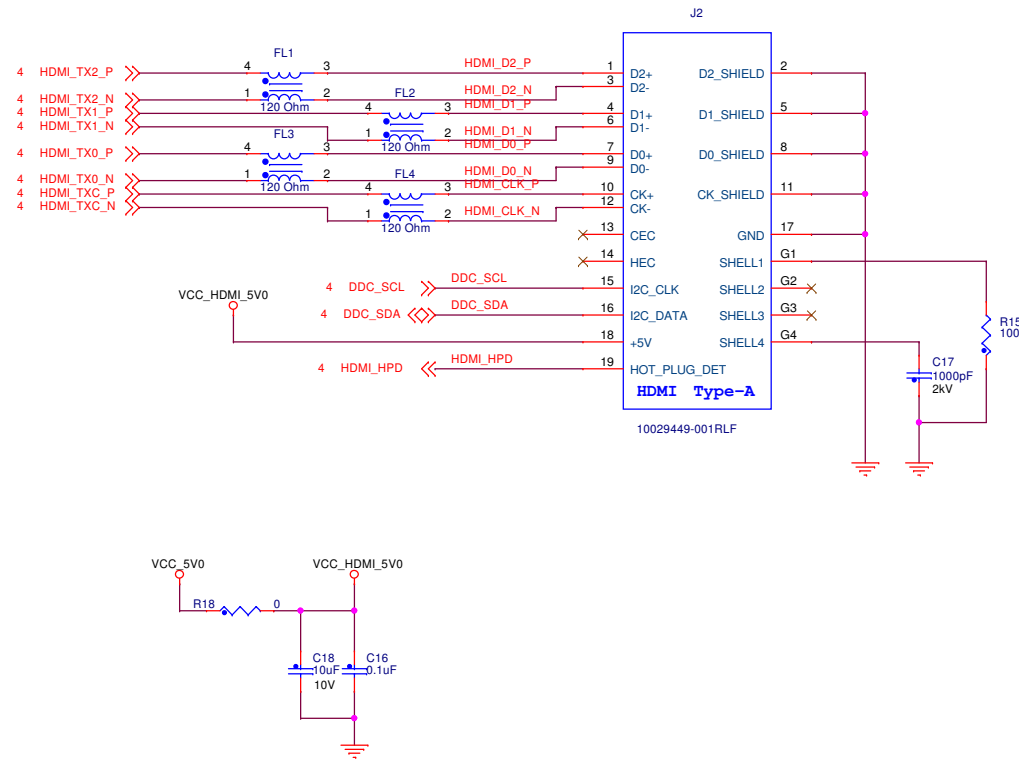


<Variant Name>



|                                       |                                      |                  |        |
|---------------------------------------|--------------------------------------|------------------|--------|
| ICAP Classification: CP: IUO: X PUBI: |                                      |                  |        |
| Drawing Title: <b>IMI-MIPI-HDMI</b>   |                                      |                  |        |
| Page Title: <b>MIPI CONNECTOR</b>     |                                      |                  |        |
| Size A3                               | Document Number SOURCE: SCH-29678-C1 | PDF:SPF-29678-C1 | Rev C1 |
| Date: Tuesday, January 23, 2018       | Sheet 5 of 7                         |                  |        |

# HDMI CONNECTOR



<Variant Name>



ICAP Classification: CP: IUO: X PUBI:

Drawing Title: **IMX-MIPI-HDMI**

Page Title: **HDMI CONNECTOR**

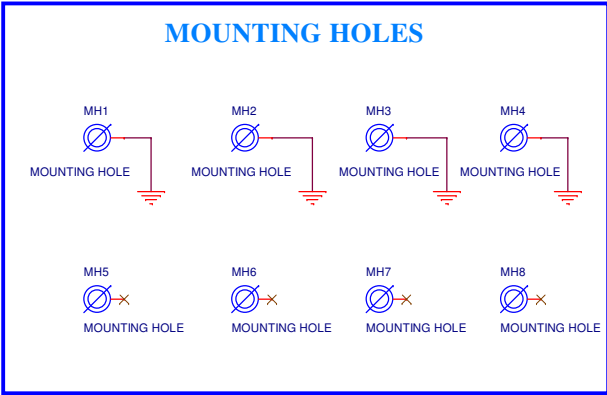
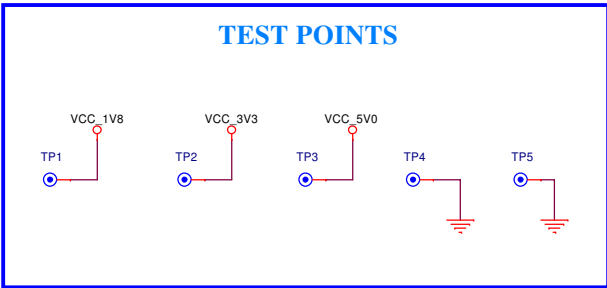
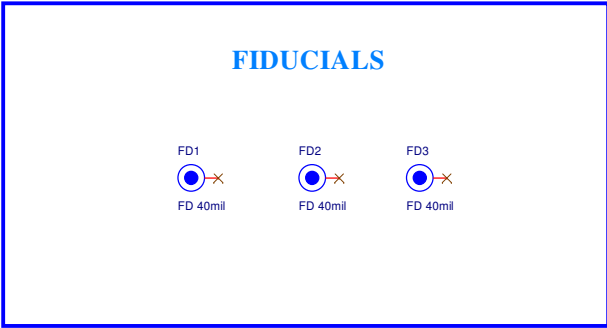
|         |                 |                      |                  |        |
|---------|-----------------|----------------------|------------------|--------|
| Size A3 | Document Number | SOURCE: SCH-29678-C1 | PDF:SPF-29678-C1 | Rev C1 |
|---------|-----------------|----------------------|------------------|--------|

Date: Tuesday, January 23, 2018 Sheet 6 of 7


# MISCELLANEOUS

NOTE: THIS PAGE CONTAINS

- 1) FIDUCIALS
- 2) TEST POINTS
- 3) MOUNTING HOLES



<Variant Name>

|   |                 |                      |                  |
|---|-----------------|----------------------|------------------|
|  |                 |                      |                  |
| ICAP Classification: CP: IUO: X PUBI:   |                 |                      |                  |
| Drawing Title: <b>IMX-MIPI-HDMI</b>   |                 |                      |                  |
| Page Title: <b>MISCELLANEOUS</b>  |                 |                      |                  |
| Size A3   | Document Number | SOURCE: SCH-29678-C1 | PDF-SPF-29678-C1 |
| Date: Tuesday, January 23, 2018   | Sheet 7         | of 7                 | Rev C1           |