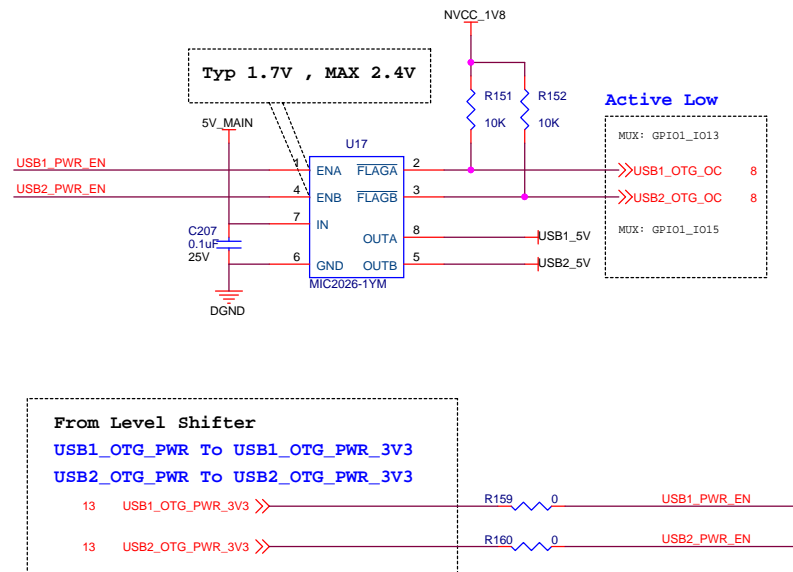
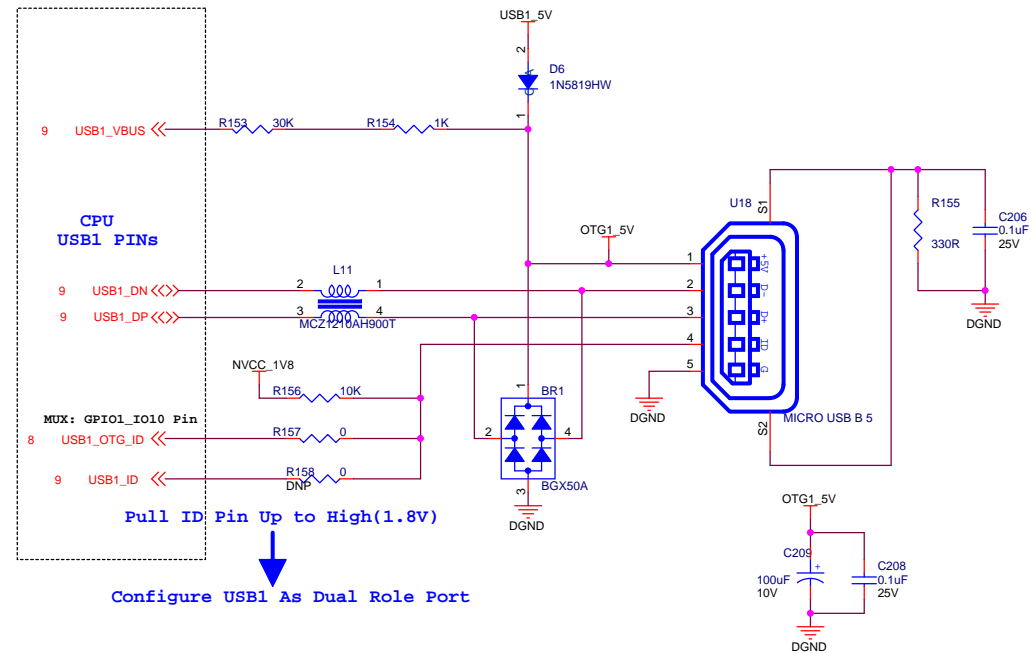


USB1 & USB2 Power & OC Control



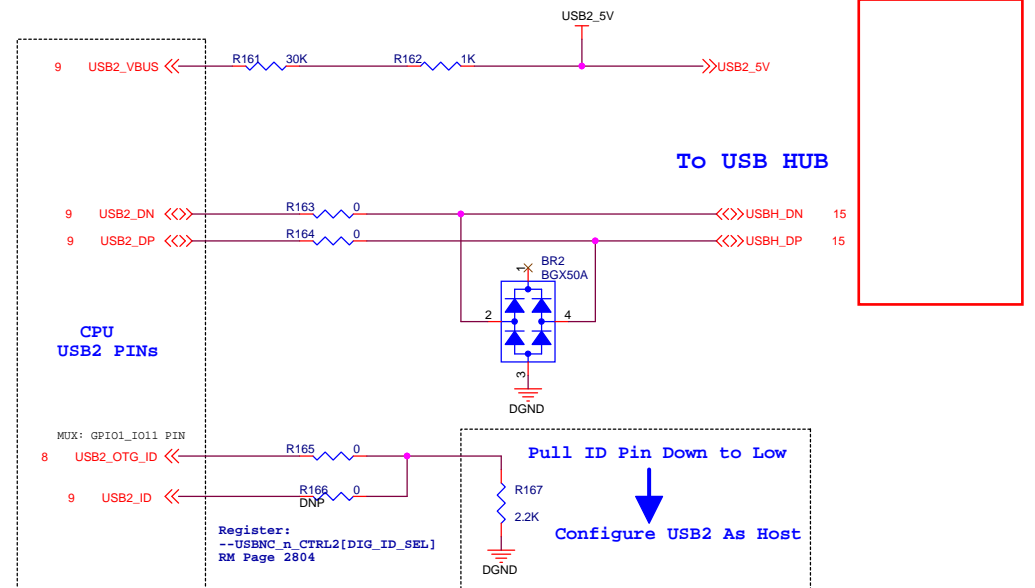
MicroUSB Connector



USB1 & USB2 IO MUX

USB PORT	Signals	CPU PADS
USB1	USB1_OTG_ID	GPIO1_IO10
	USB1_OTG_OC	GPIO1_IO13
	USB1_OTG_PWR	GPIO1_IO12
	USB1_P1_ID	USB1_ID
	USB1_P1_VBUS	USB1_VBUS
	USB1_P1_DP	USB1_DP
USB2	USB2_OTG_ID	GPIO1_IO11
	USB2_OTG_OC	GPIO1_IO15
	USB2_OTG_PWR	GPIO1_IO14
	USB2_P1_ID	USB2_ID
	USB2_P1_VBUS	USB2_VBUS
	USB2_P1_DP	USB2_DP
	USB2_P1_DN	USB2_DN

USB HOST Type-A Connector



On Design:

- USB1 will be configured as Dual Role Mode, USB1 OTG ID is used to be detection
- USB2 will be configured as fixed Host mode, USB2 OTG ID is used to be detection

Title	<USB OTG & USB HOST>	
Size	Document Number	Rev
A3	<Doc>	<Rev Code>
Date:	Saturday, October 24, 2020	Sheet 12 of 22