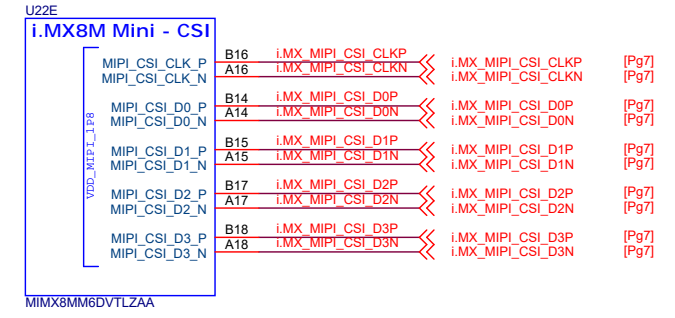
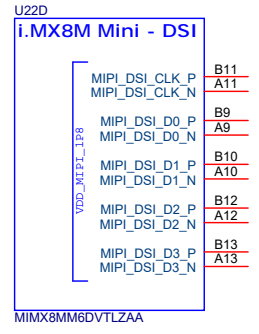
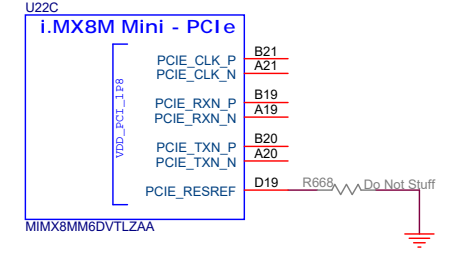
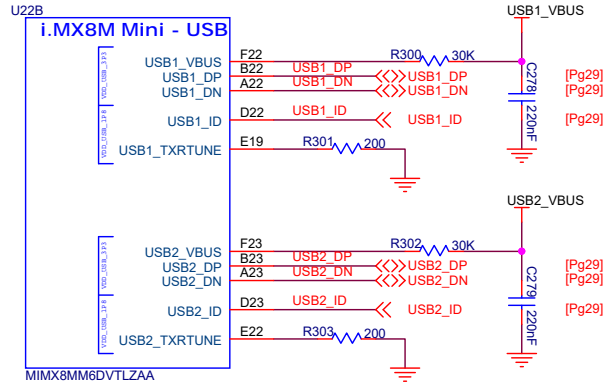


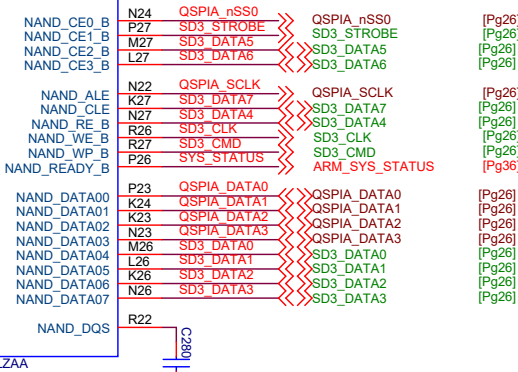
BOM		
Title	<Title>	
Size B	Document Number <Doc>	Rev <RevCode>
Date:	Tuesday, August 17, 2021	Sheet 20 of 37

i.MX8M CPU PHYs

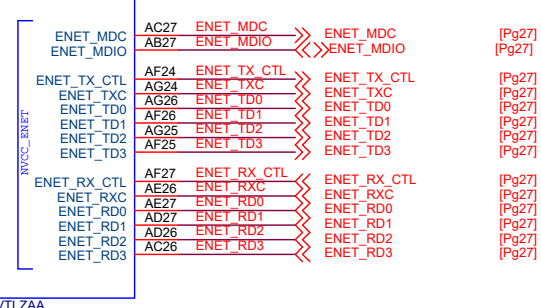


BOM			
Title			
<Title>			
Size	Document Number	Rev	<RevCode>
B	<Doc>		
Date:	Tuesday, August 17, 2021	Sheet	21 of 37

1.8V U22H
i.MX8M Mini - NAND

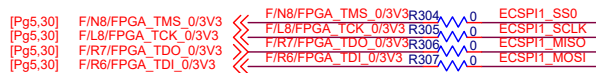
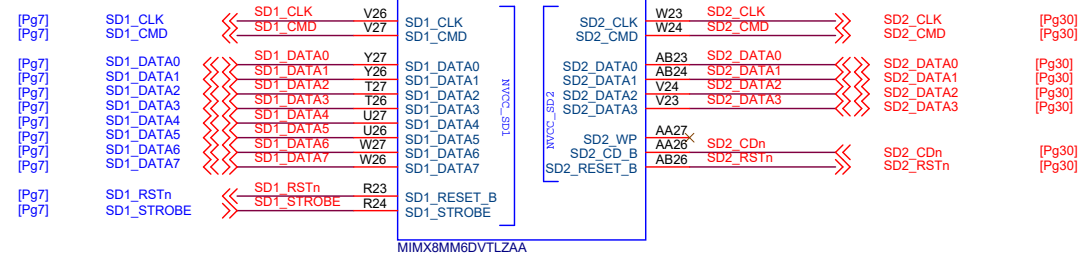


1.8V U22J
i.MX8M Mini - eNET



1.8V

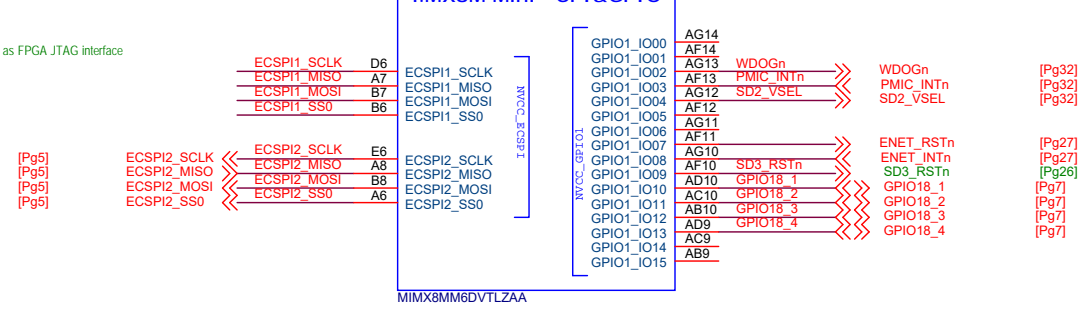
U22I
i.MX8M Mini - SDHC



3.3V

1.8V

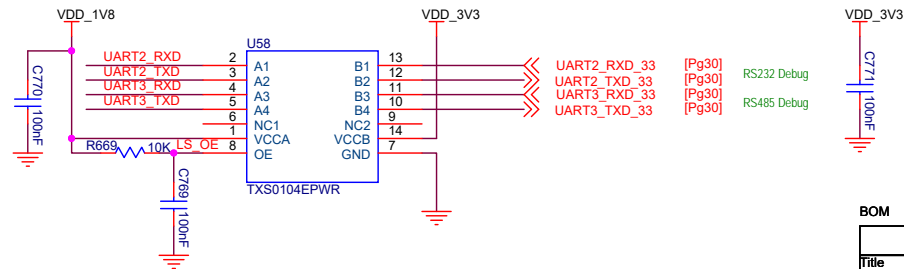
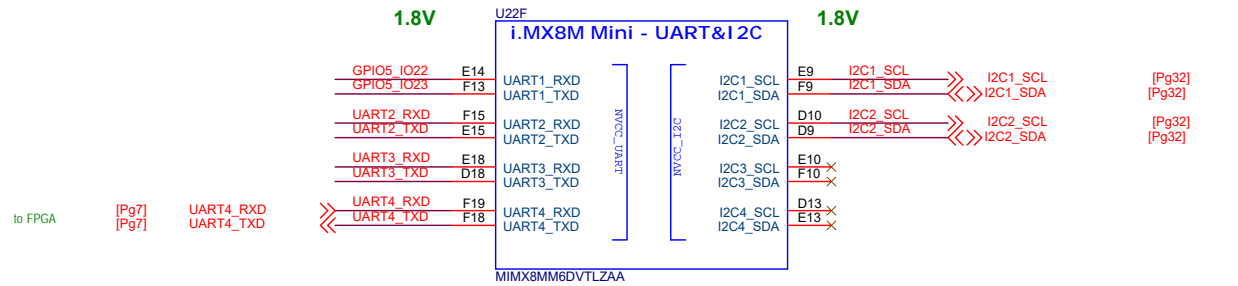
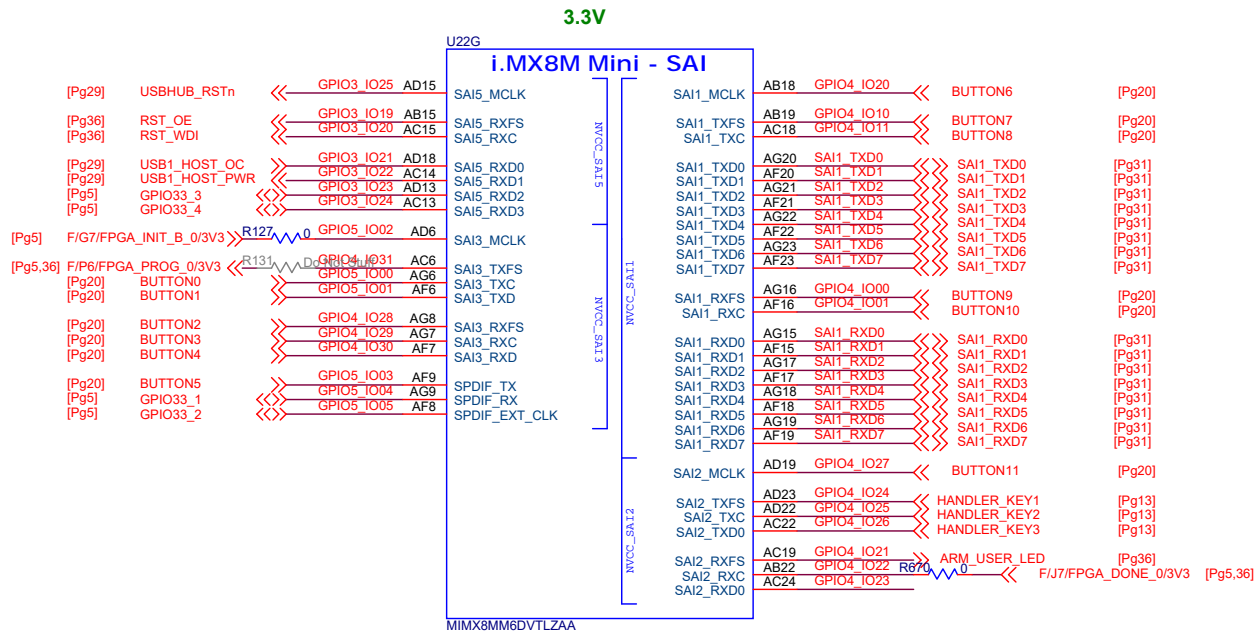
U22K
i.MX8M Mini - SPI&GPIO



3.3 V when it is driven low and 1.8 V when driven high

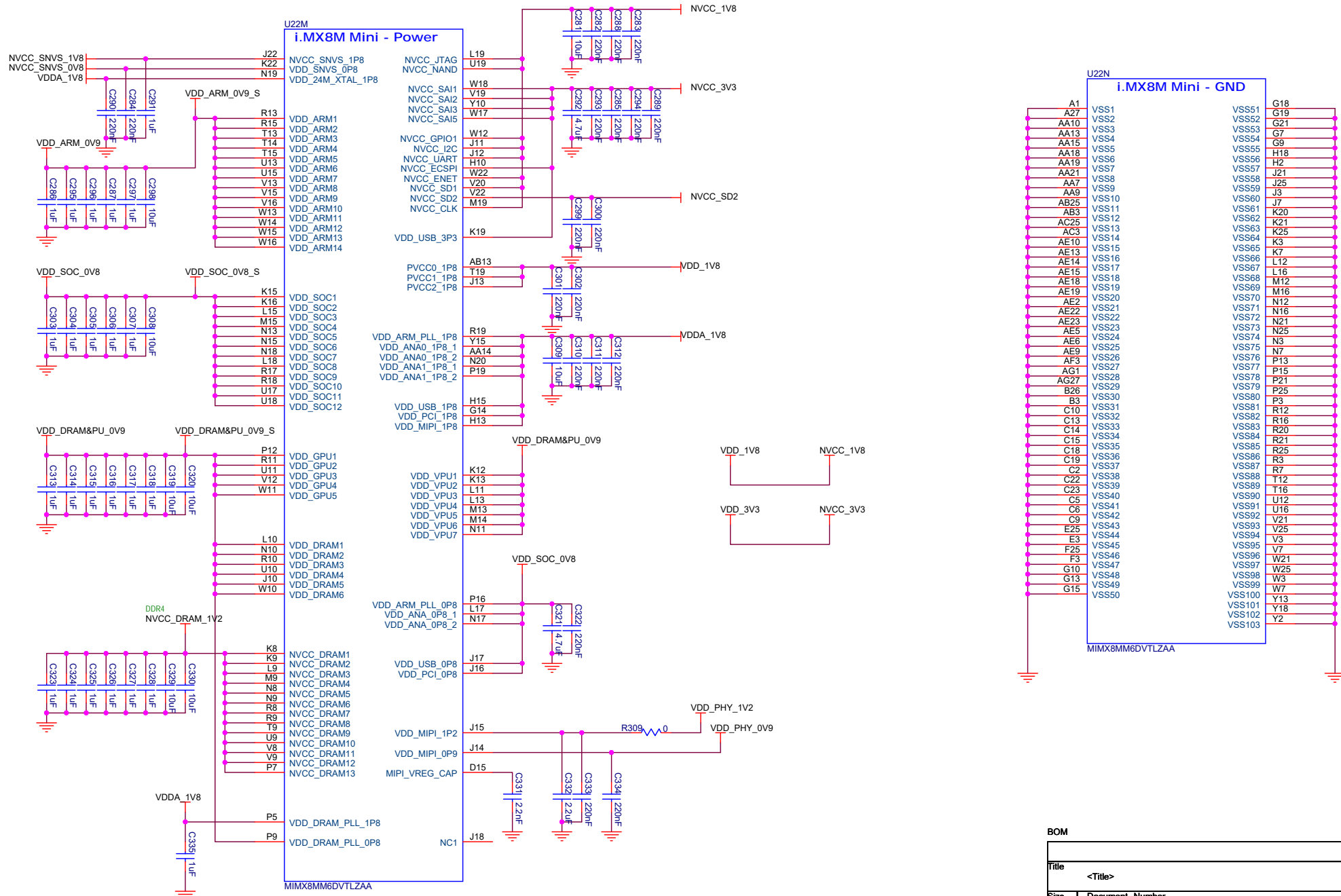
BOM

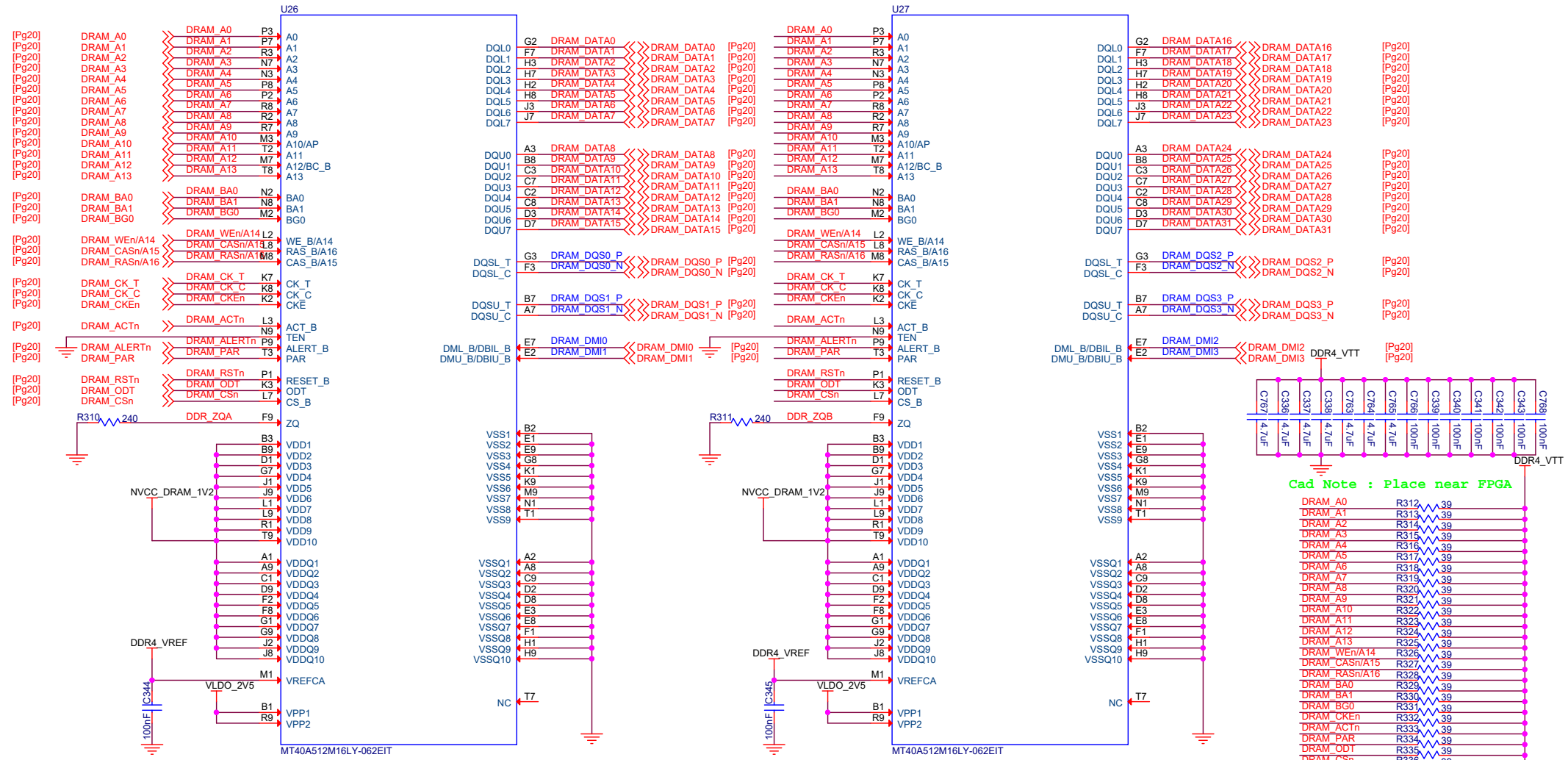
Title		<Title>
Size	Document Number	Rev
B	<Doc>	<RevCode>
Date:	Tuesday, August 17, 2021	Sheet 22 of 37



BOM

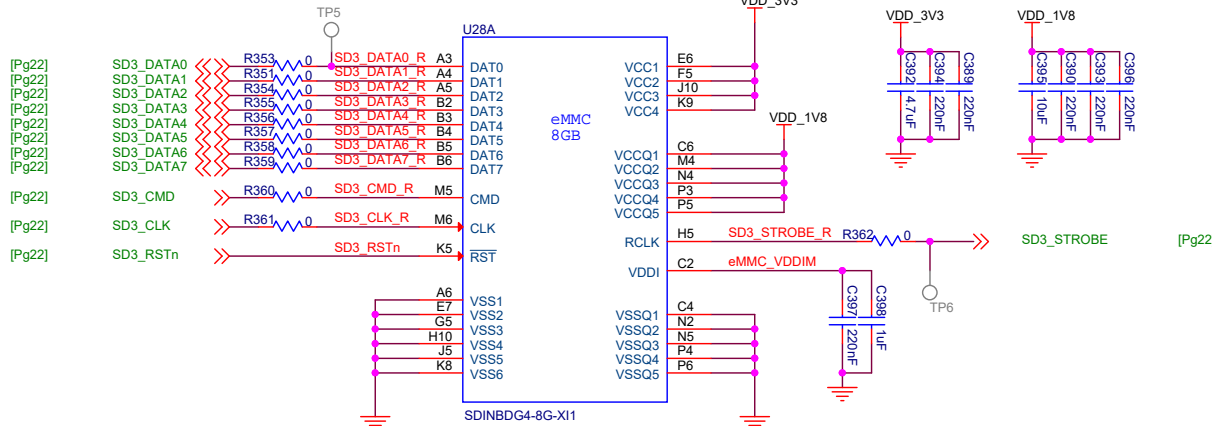
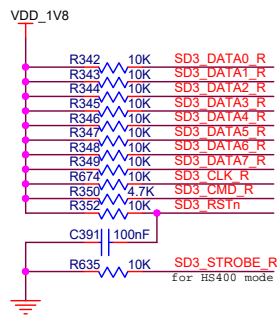
Title		<Title>
Size	Document Number	Rev
B	<Doc>	<RevCode>
Date:	Tuesday, August 17, 2021	Sheet 23 of 37





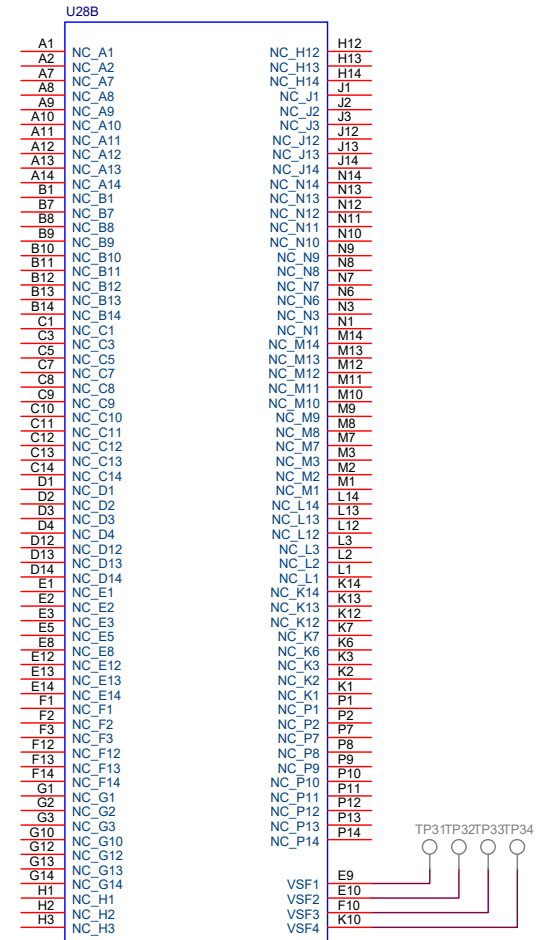
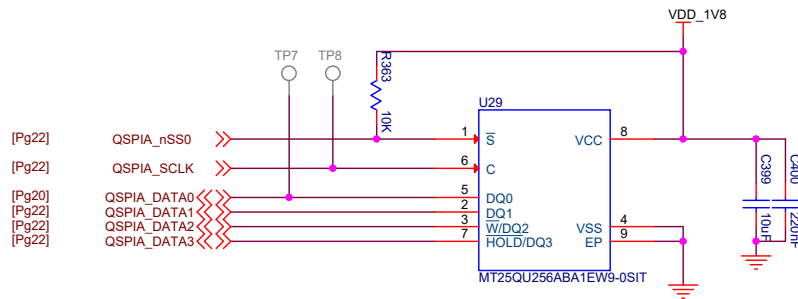
BOM

Title		<Title>
Size	Document Number	Rev
B	<Doc>	<RevCode>
Date:	Tuesday, August 17, 2021	Sheet 25 of 37



The physical authentication requires the host to keep VSF Pin #4 at ground voltage level and restore it to floating state after the device power-up sequence is complete.

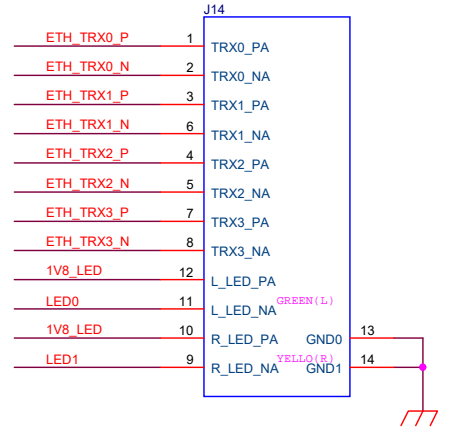
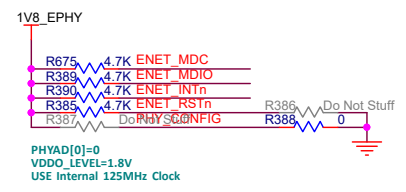
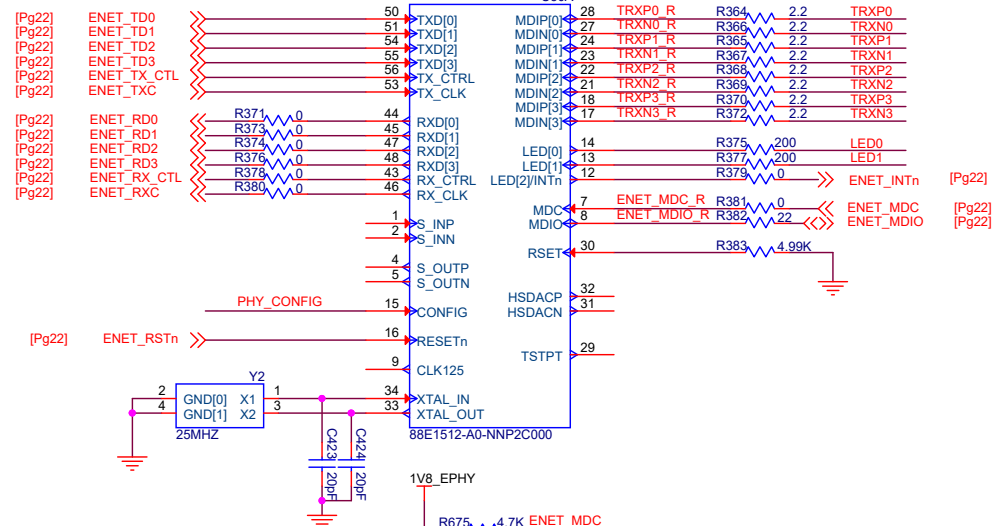
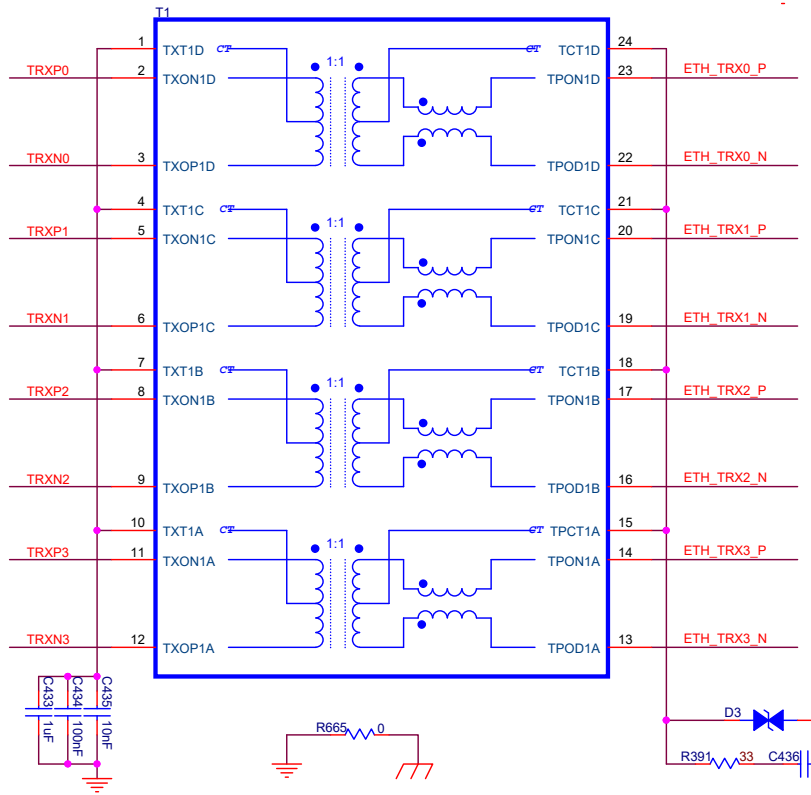
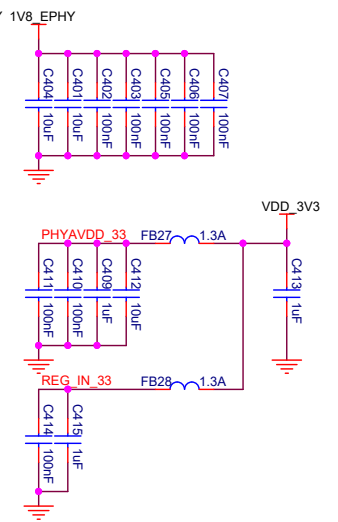
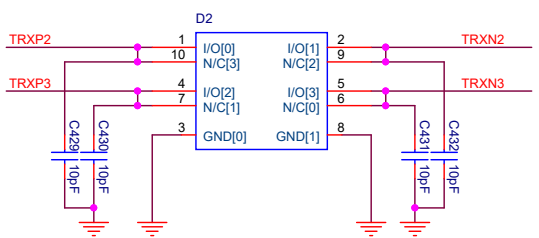
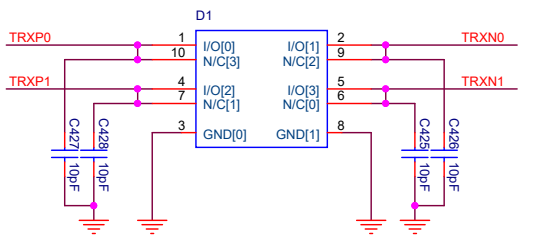
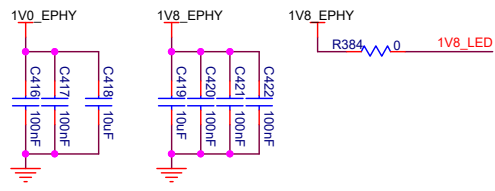
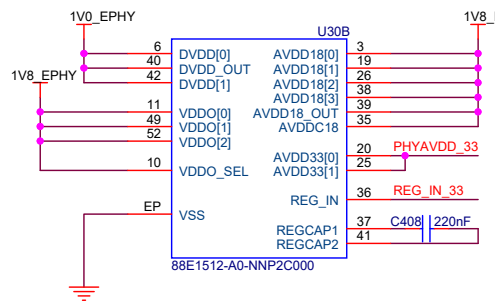
Layout:
50ohm, SD singals(SD_DATAx, SD_CMD, SD_CLK) control



SDINBDG4-8G-XI1

VSF balls (VSF1/4) should have exposed and floated test pads on the PCB, with near exposed GND for better measurement.

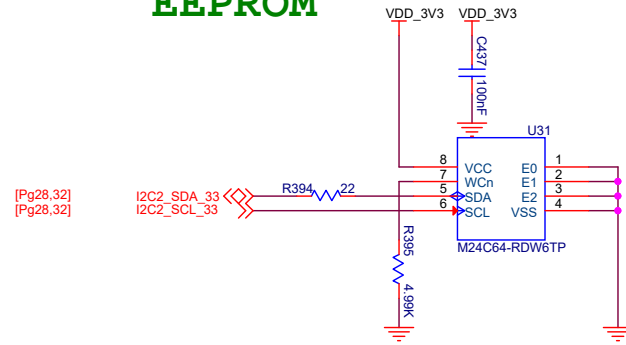
BOM		
Title		
	<Title>	
Size	Document Number	Rev
B	<Doc>	<Rev/Code>
Date:	Tuesday, August 17, 2021	Sheet 26 of 37



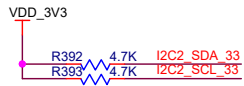
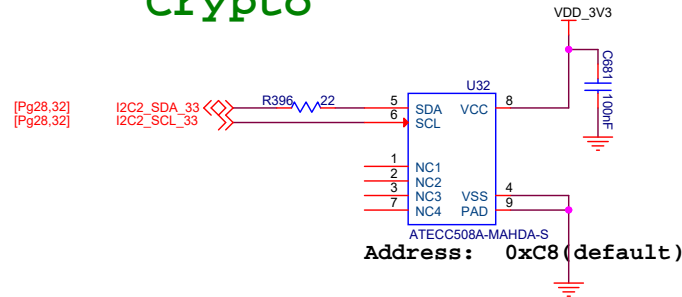
BOM

Title	<Title>	Rev	<RevCode>
Size B	Document Number <Doc>		
Date:	Tuesday, August 17, 2021	Sheet	27 of 37

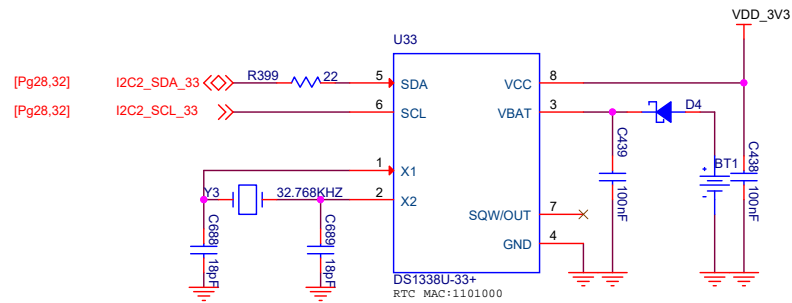
EEPROM



Crypto



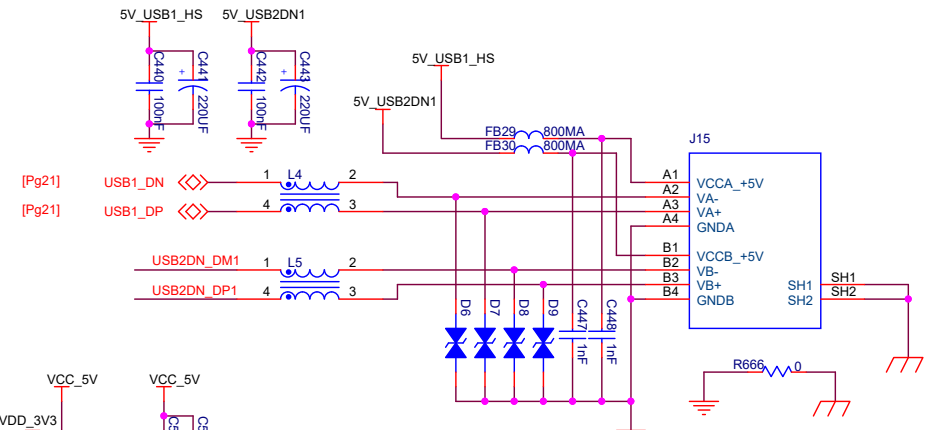
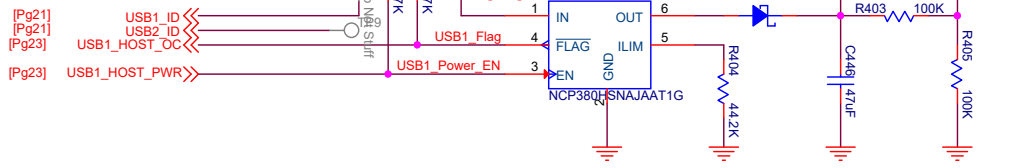
RTC



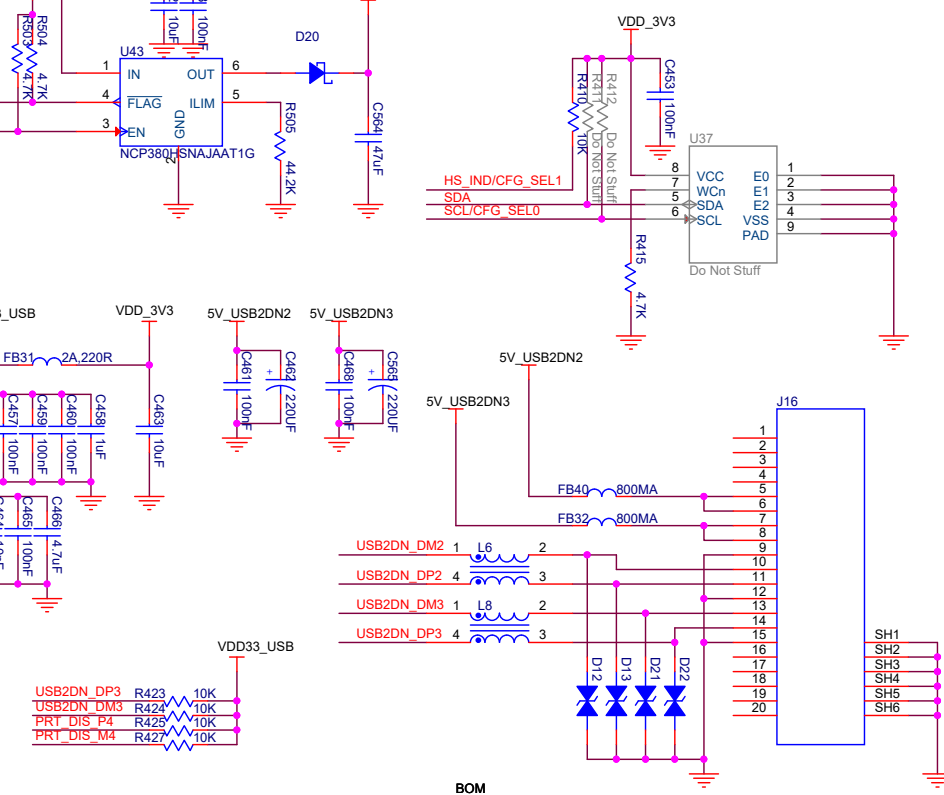
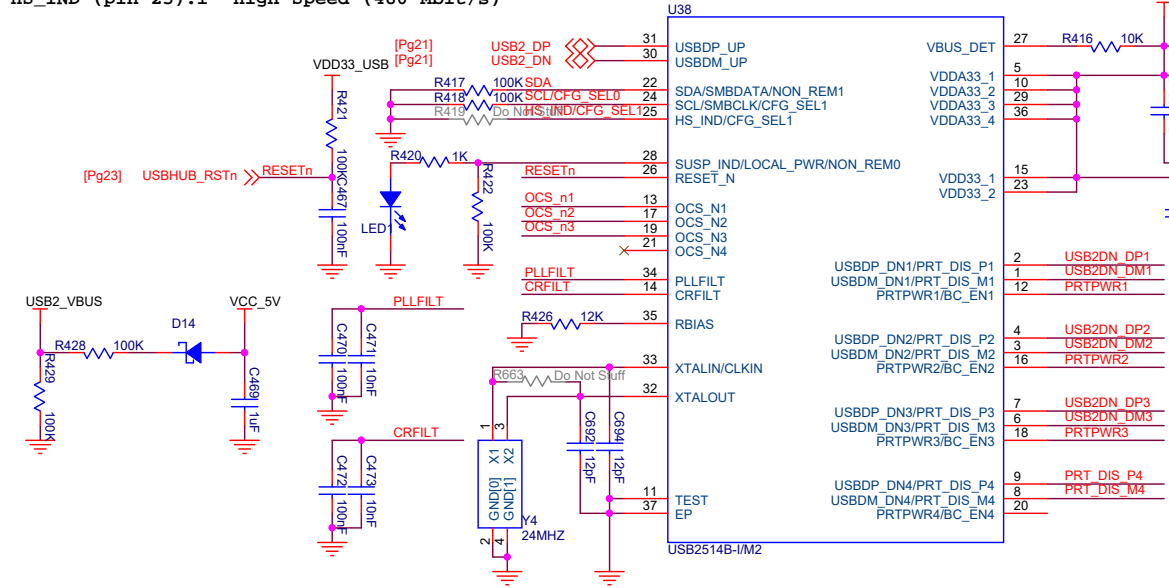
BOM

Title		
<Title>		
Size	Document Number	Rev
B	<Doc>	<RevCode>
Date:	Tuesday, August 17, 2021	Sheet 28 of 37

OTG MODE:
 ID=1, DEVICE (only use)
 ID=0, HOST (boot mode)

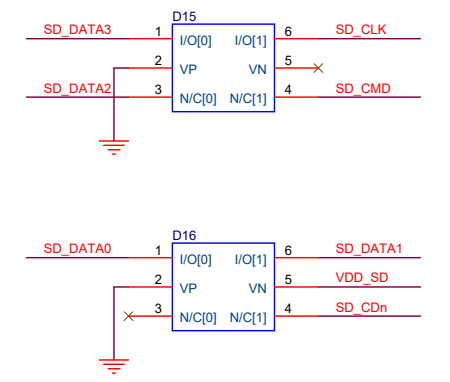
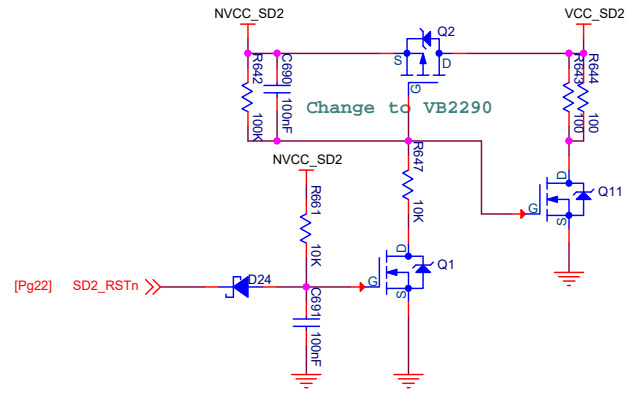
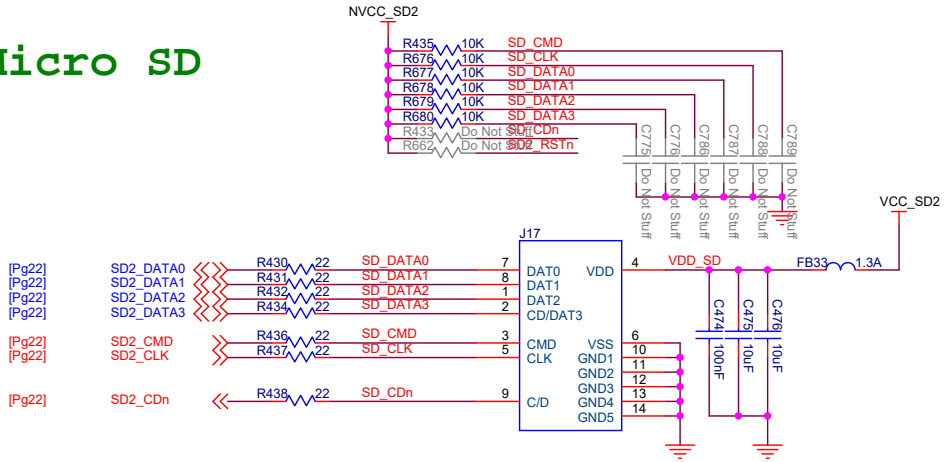


CFG_SEL[1..0]:10 Default Configuration
 NON_REM[1..0]:00 All Downstream Ports Are Removable
 HS_IND (pin 25):1 High Speed (480 Mbit/s)

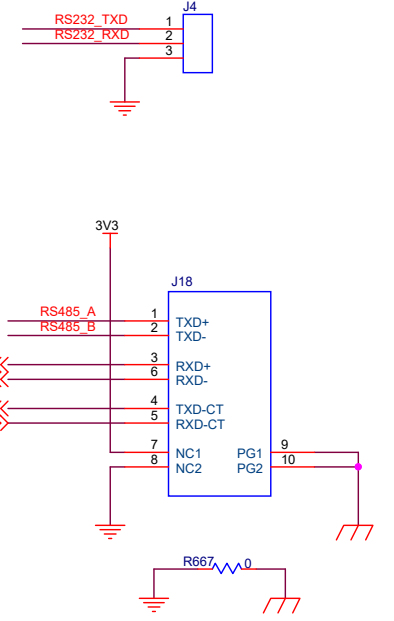
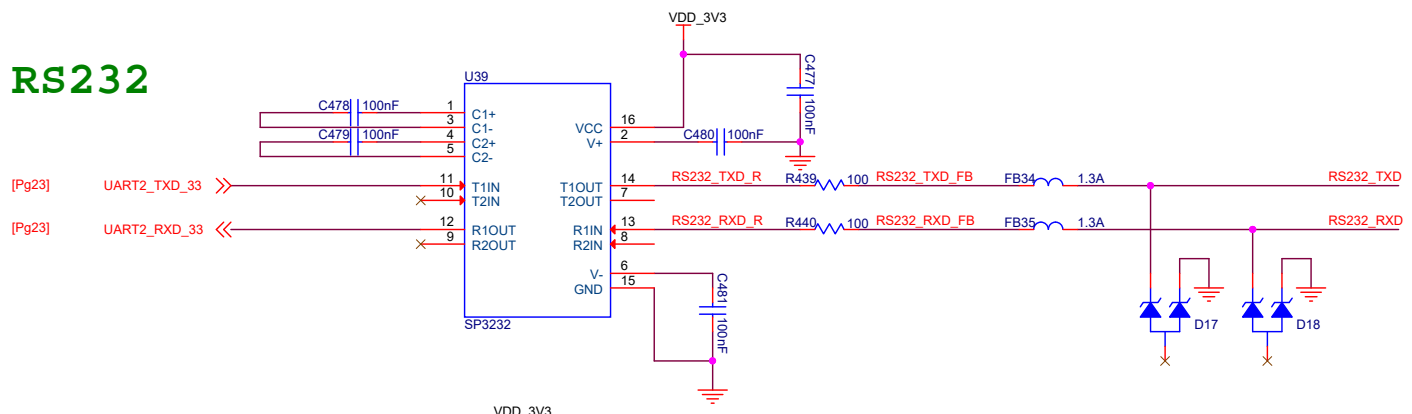


BOM	
Title	<Title>
Size B	Document Number <Doc>
Date:	Tuesday, August 17, 2021
Sheet	29 of 37

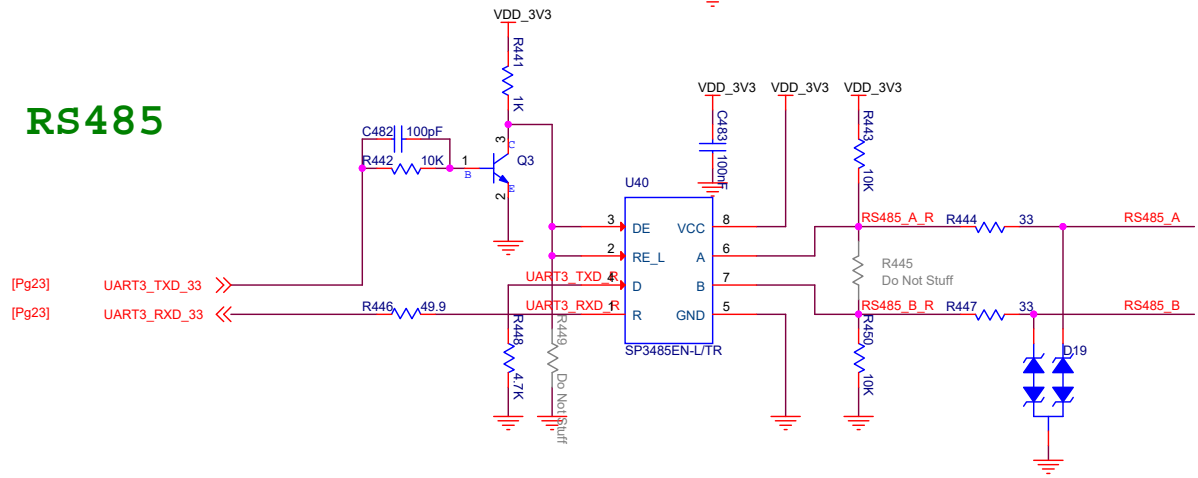
Micro SD



RS232

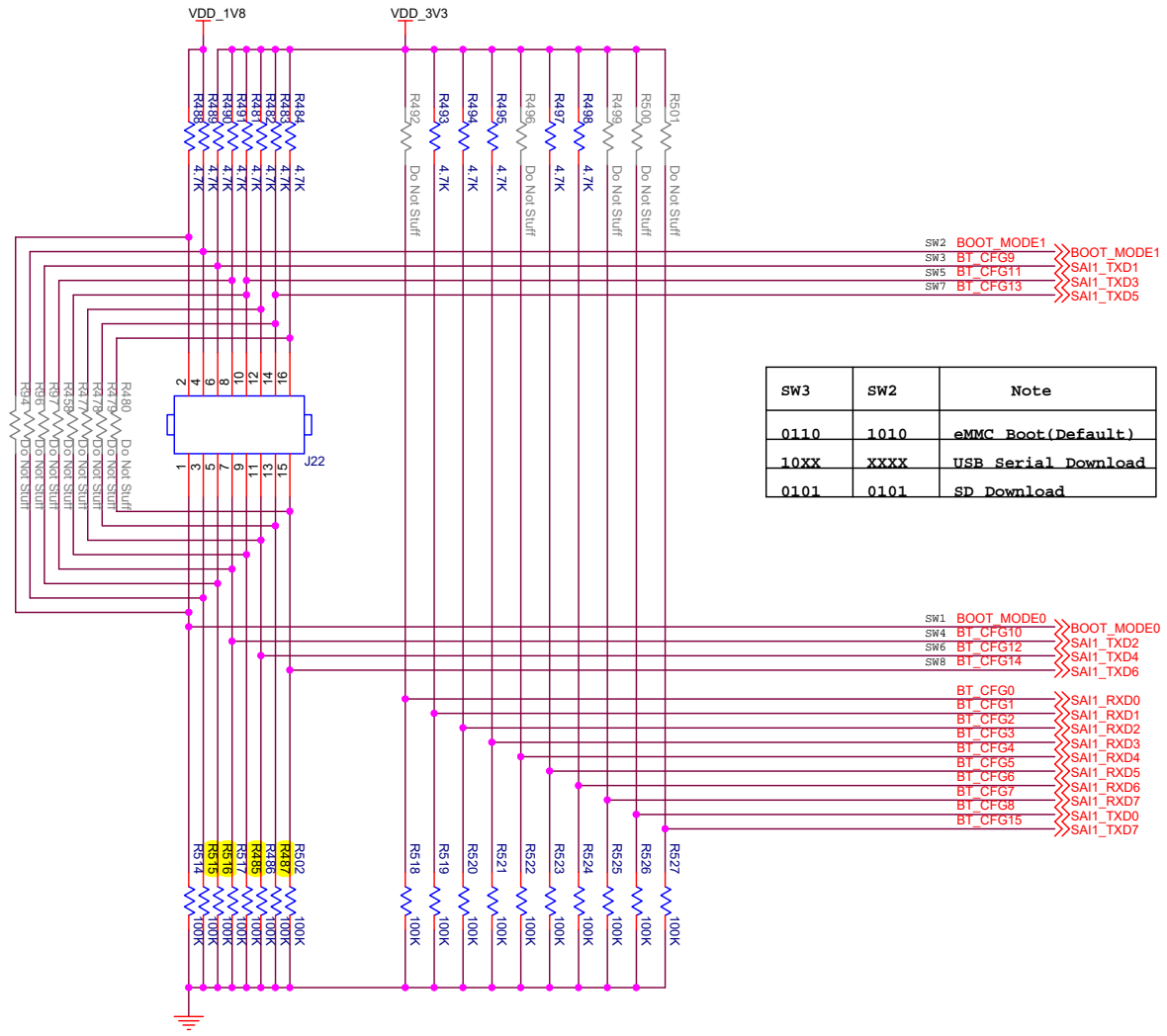


RS485



[Pg5.22]F/N8/FPGA_TMS_0/3V3
 [Pg5.22]F/L8/FPGA_TCK_0/3V3
 [Pg5.22]F/R7/FPGA_TDO_0/3V3
 [Pg5.22]F/R6/FPGA_TDI_0/3V3

BOM	
Title	<Title>
Size	Document Number
B	<Doc>
Date:	Tuesday, August 17, 2021
Sheet	30 of 37
Rev	<RevCode>



SW3	SW2	Note
0110	1010	eMMC Boot(Default)
10XX	XXXX	USB Serial Download
0101	0101	SD Download

SW2 BOOT_MODE1 >> BOOT_MODE1 [Pg20]
 SW3 BT_CFG9 >> SAI1_TXD1 [Pg23]
 SW5 BT_CFG11 >> SAI1_TXD3 [Pg23]
 SW7 BT_CFG13 >> SAI1_TXD5 [Pg23]

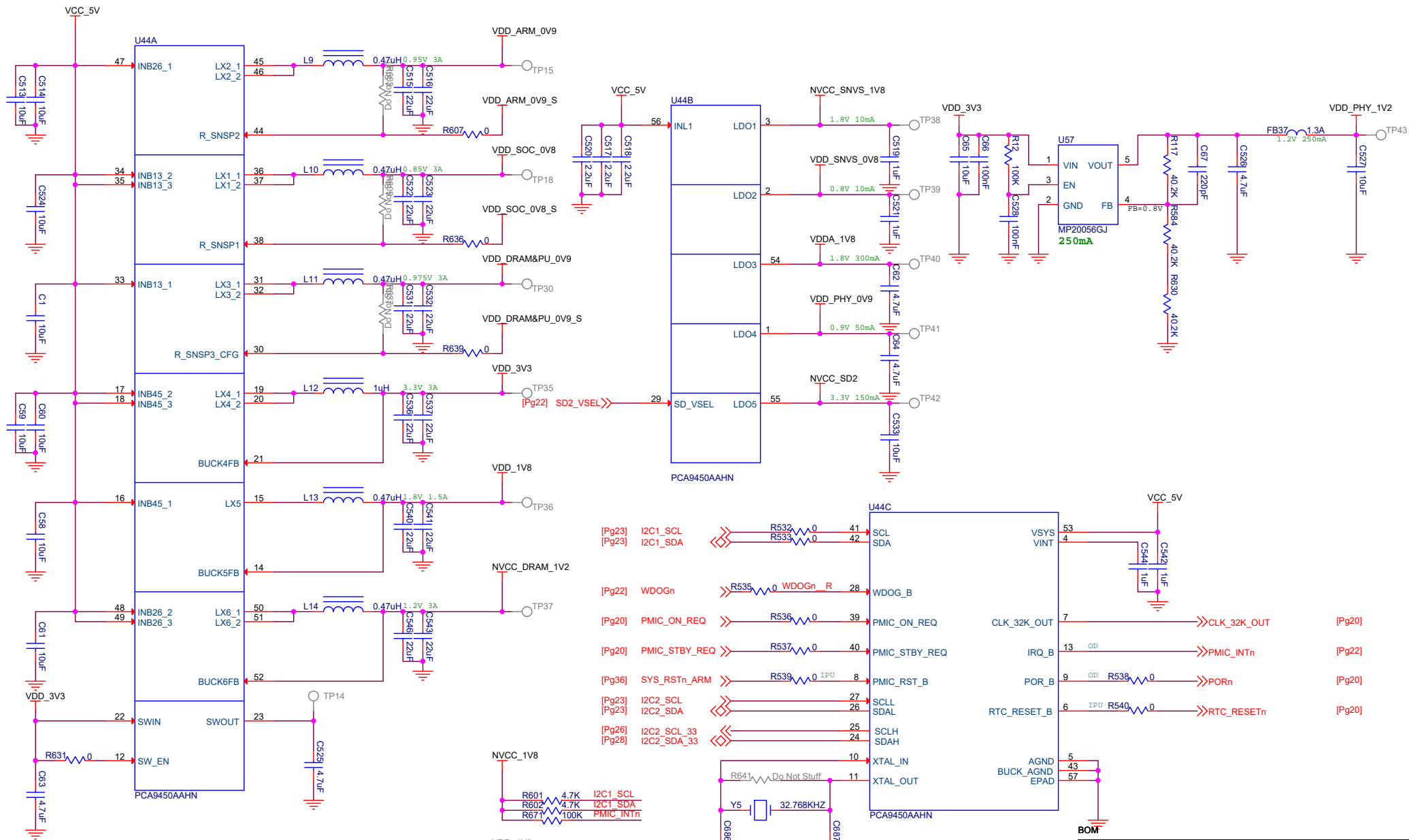
Jumper cap: Insert the first two
 Jumper cap: Insert the last six

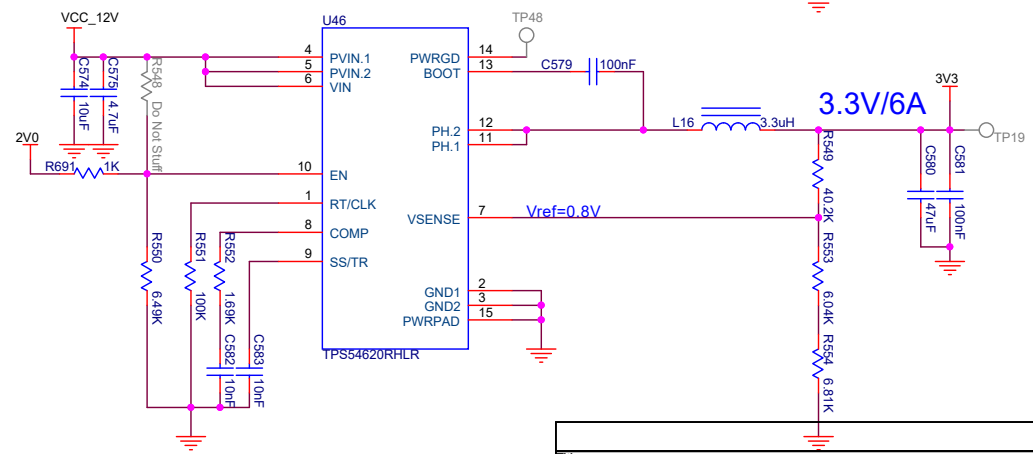
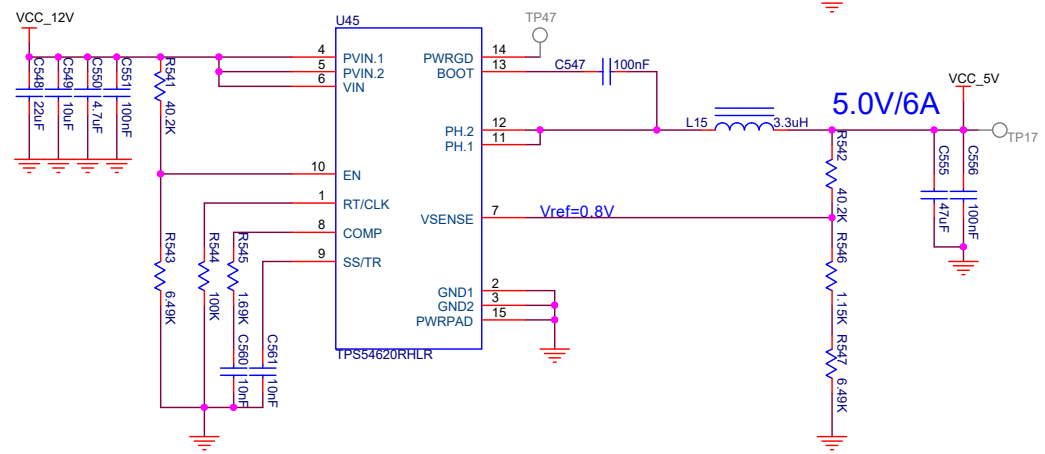
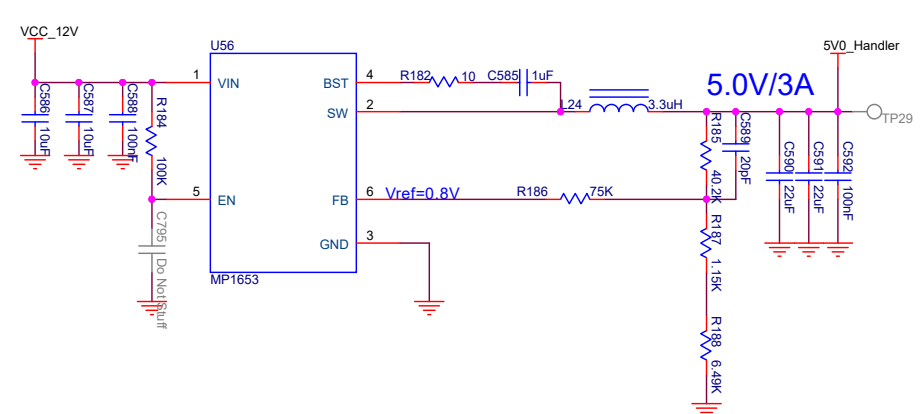
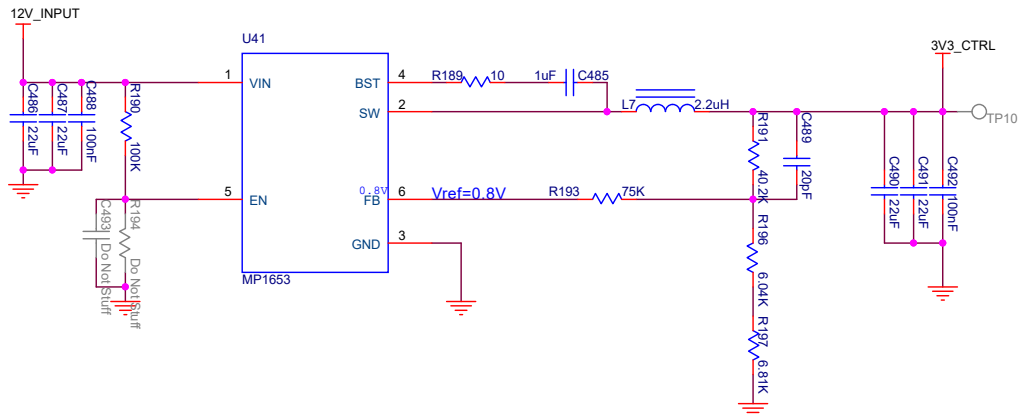
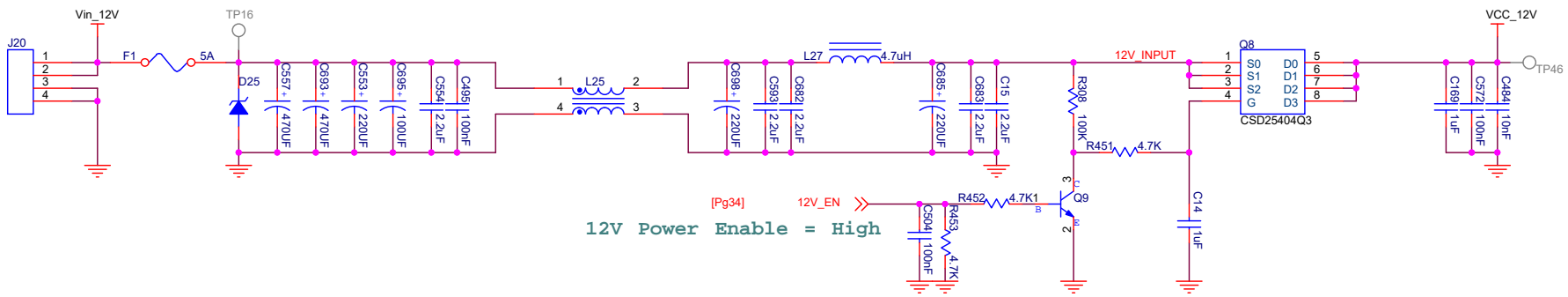
SW1 BOOT_MODE0 >> BOOT_MODE0 [Pg20]
 SW4 BT_CFG10 >> SAI1_TXD2 [Pg23]
 SW6 BT_CFG12 >> SAI1_TXD4 [Pg23]
 SW8 BT_CFG14 >> SAI1_TXD6 [Pg23]

BT_CFG0 >> SAI1_RXD0 [Pg23]
 BT_CFG1 >> SAI1_RXD1 [Pg23]
 BT_CFG2 >> SAI1_RXD2 [Pg23]
 BT_CFG3 >> SAI1_RXD3 [Pg23]
 BT_CFG4 >> SAI1_RXD4 [Pg23]
 BT_CFG5 >> SAI1_RXD5 [Pg23]
 BT_CFG6 >> SAI1_RXD6 [Pg23]
 BT_CFG7 >> SAI1_RXD7 [Pg23]
 BT_CFG8 >> SAI1_TXD0 [Pg23]
 BT_CFG15 >> SAI1_TXD7 [Pg23]

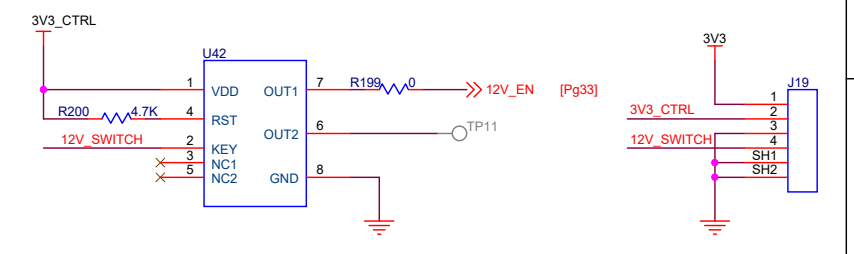
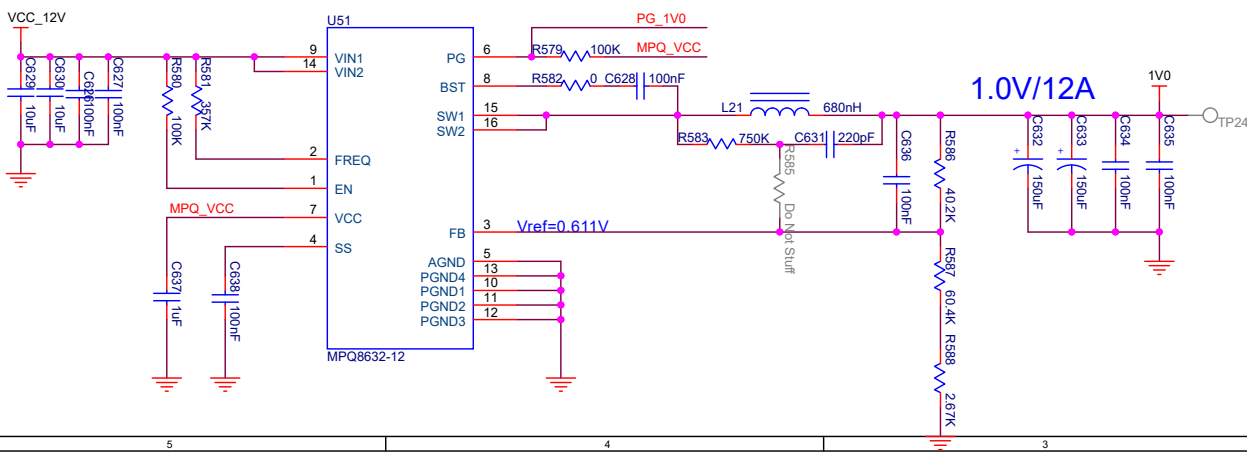
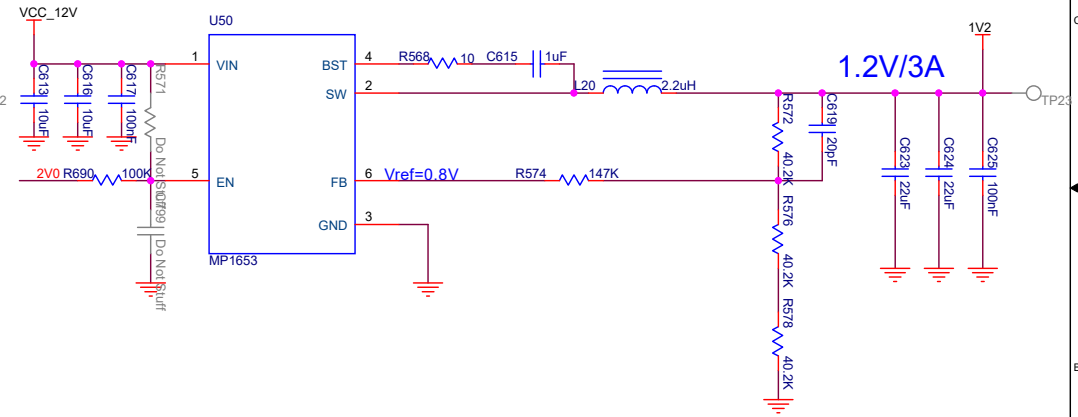
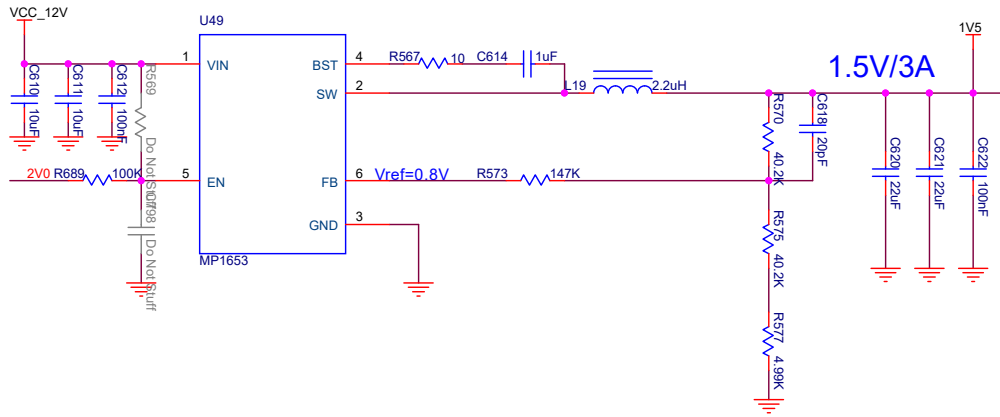
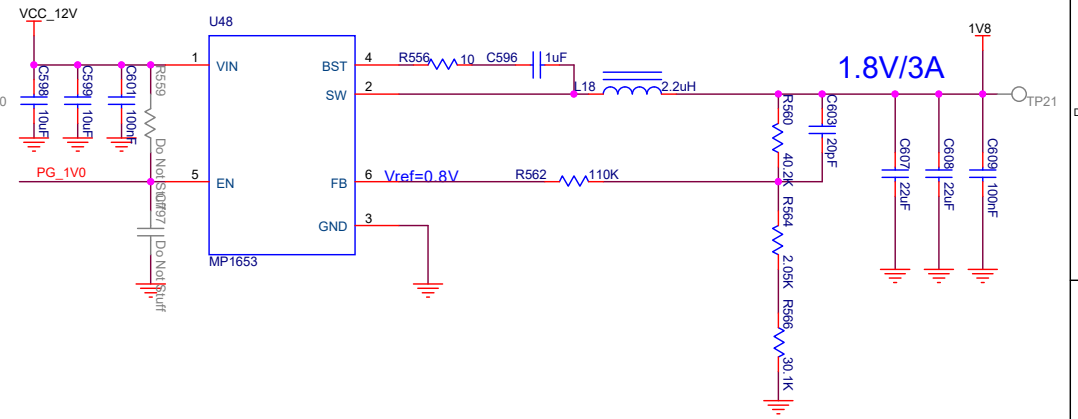
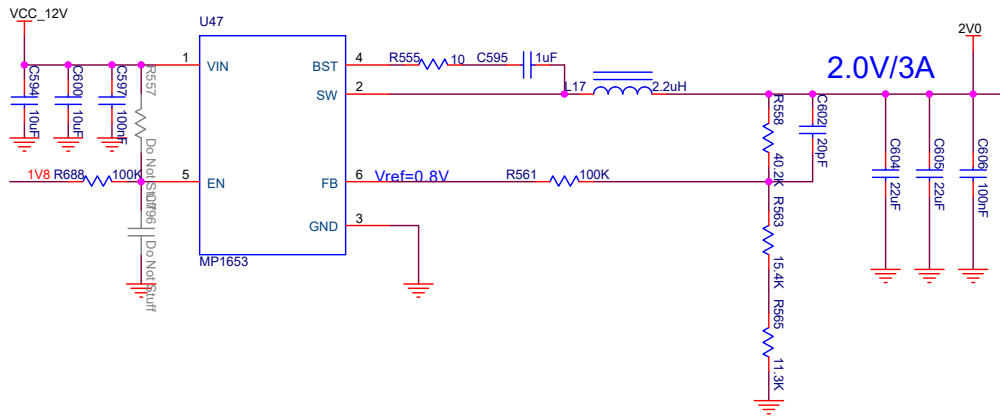
BOM

Title			<Title>
Size	Document Number	Rev	
B	<Doc>	<RevCode>	
Date:	Tuesday, August 17, 2021	Sheet	31 of 37



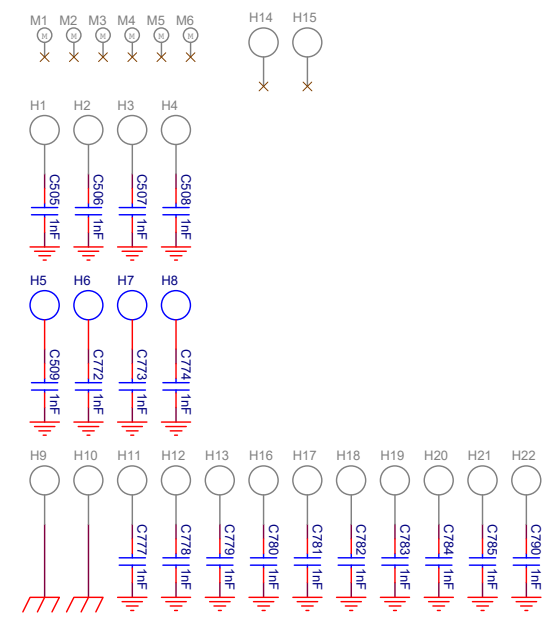
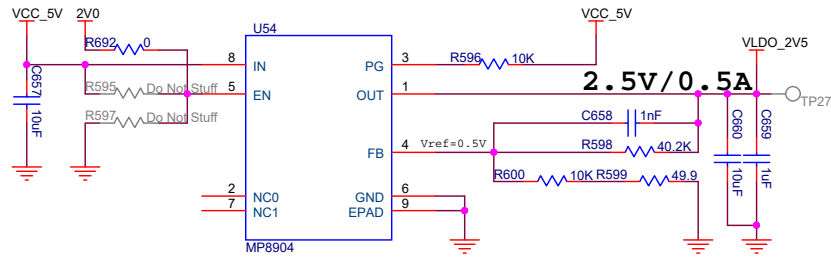
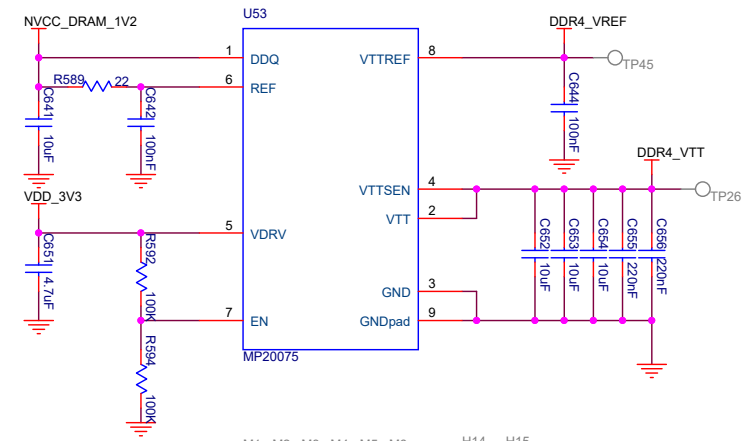
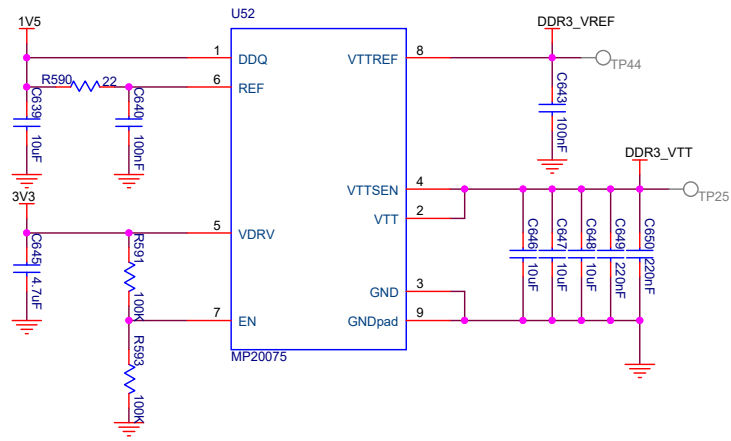


Title		
22.POWER1		
Size	Document Number	Rev
B	RY-ESH3000P	0.1
Date:	Tuesday, August 17, 2021	Sheet 33 of 37

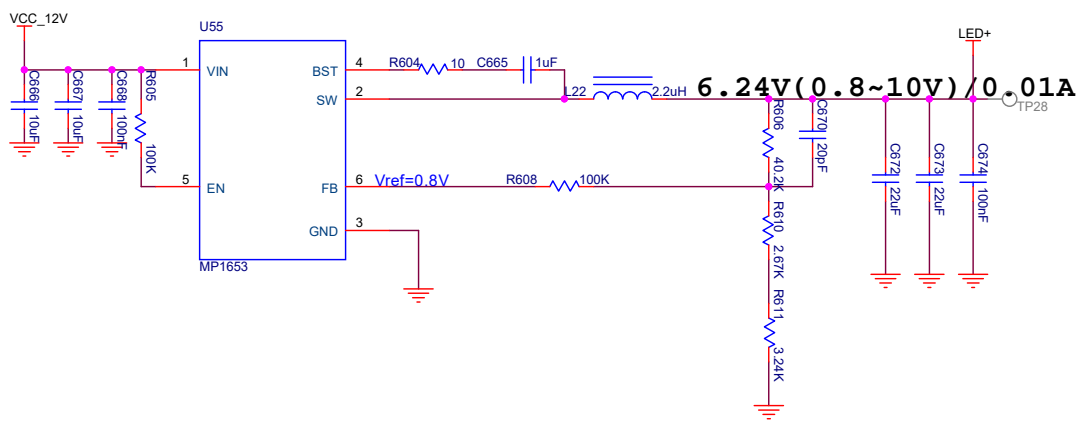


BOM

Title	<Title>		Rev	<RevCode>
Size	Document Number			
B	<Doc>			
Date:	Tuesday, August 17, 2021	Sheet	34	of 37

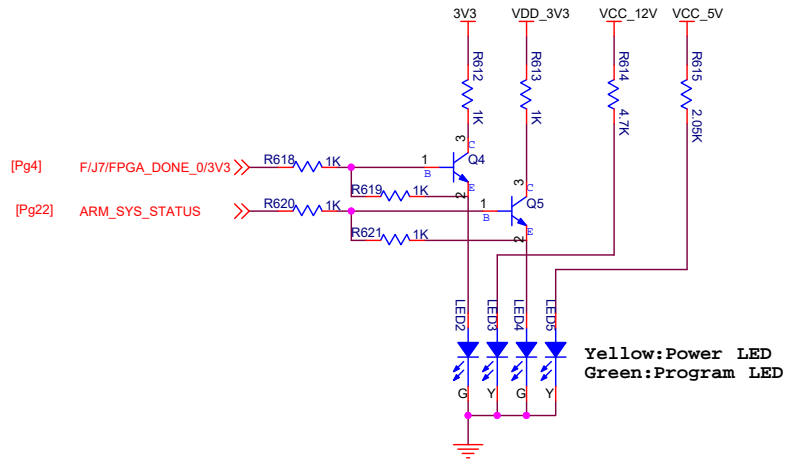


Disposable LED Power

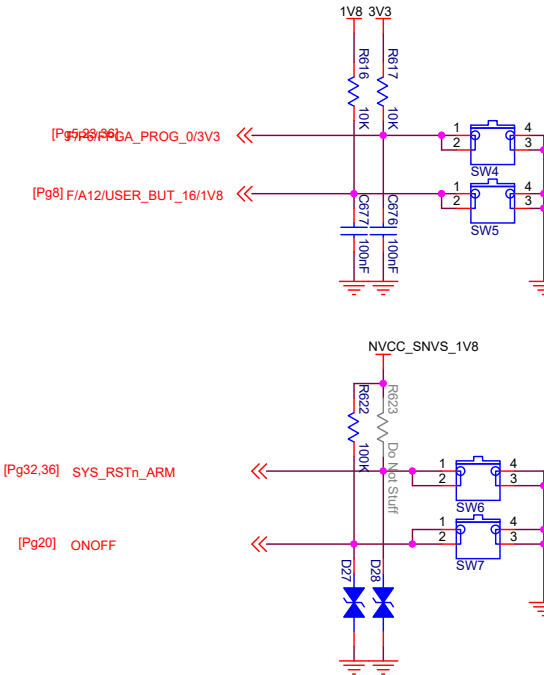


BOM		
Title		
23.POWER2		
Size	Document Number	Rev
B	RYM1MBA	0.1
Date:	Tuesday, August 17, 2021	Sheet 35 of 37

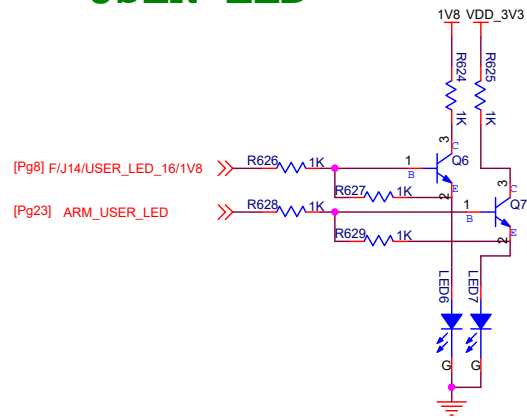
SYSTEM LED



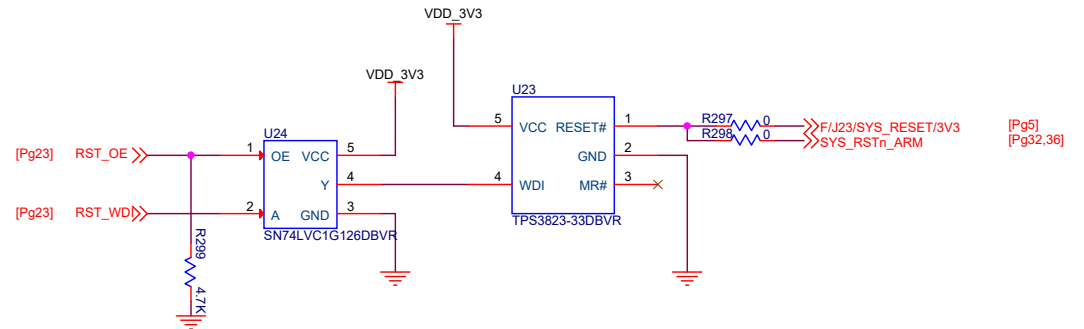
BUTTON



USER LED

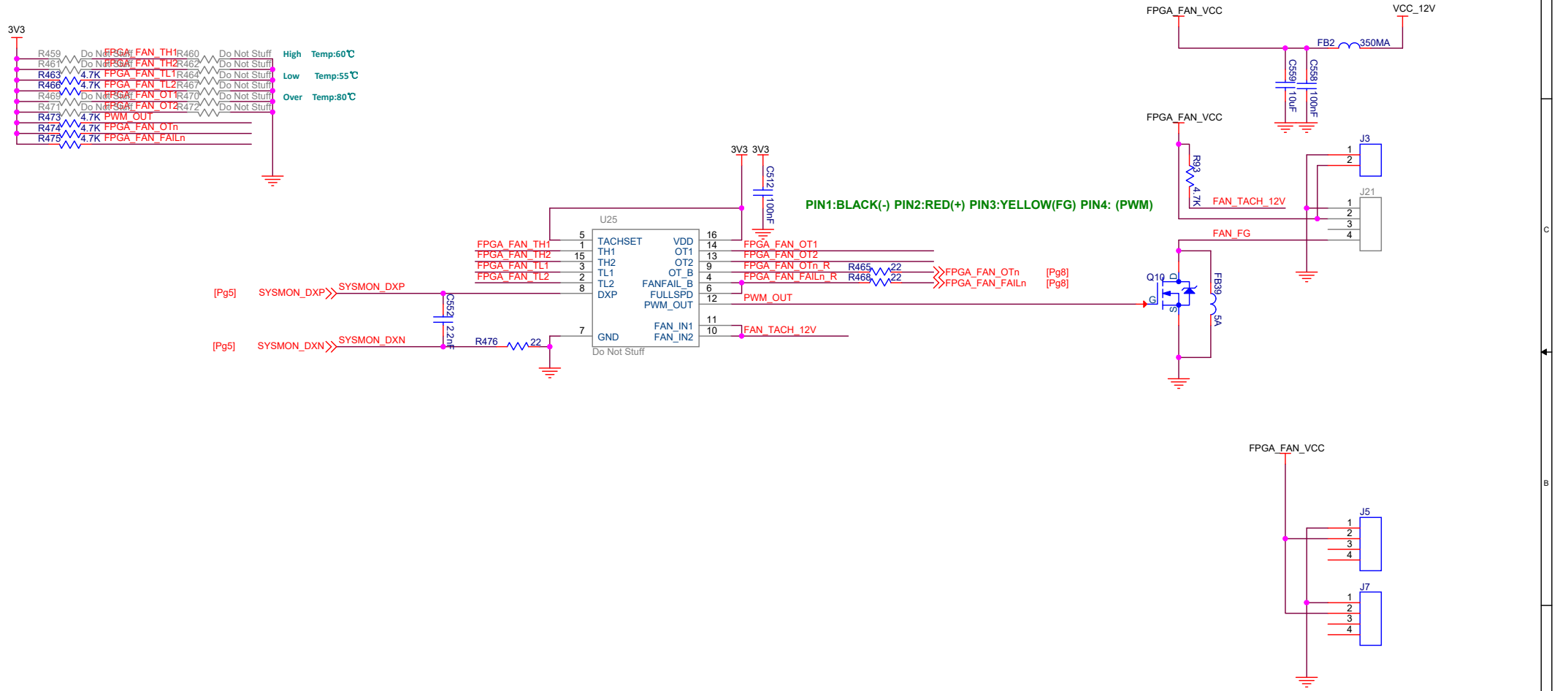


System Watchdog



Title		
11.FPGA_CFG/JTAG		
Size	Document Number	Rev
B	RY-ESH3000P	0.1
Date:	Tuesday, August 17, 2021	Sheet 36 of 37

FAN



BOM		
Title	<Title>	
Size	Document Number	Rev
B	<Doc>	<RevCode>
Date:	Tuesday, August 17, 2021	Sheet 37 of 37

