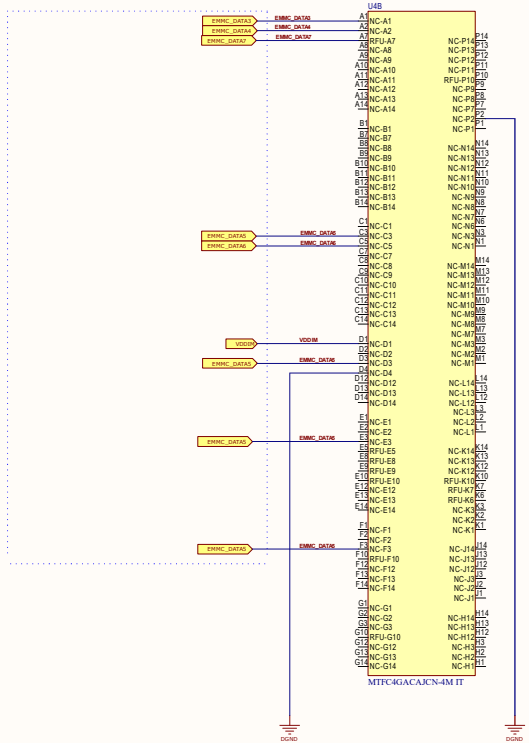


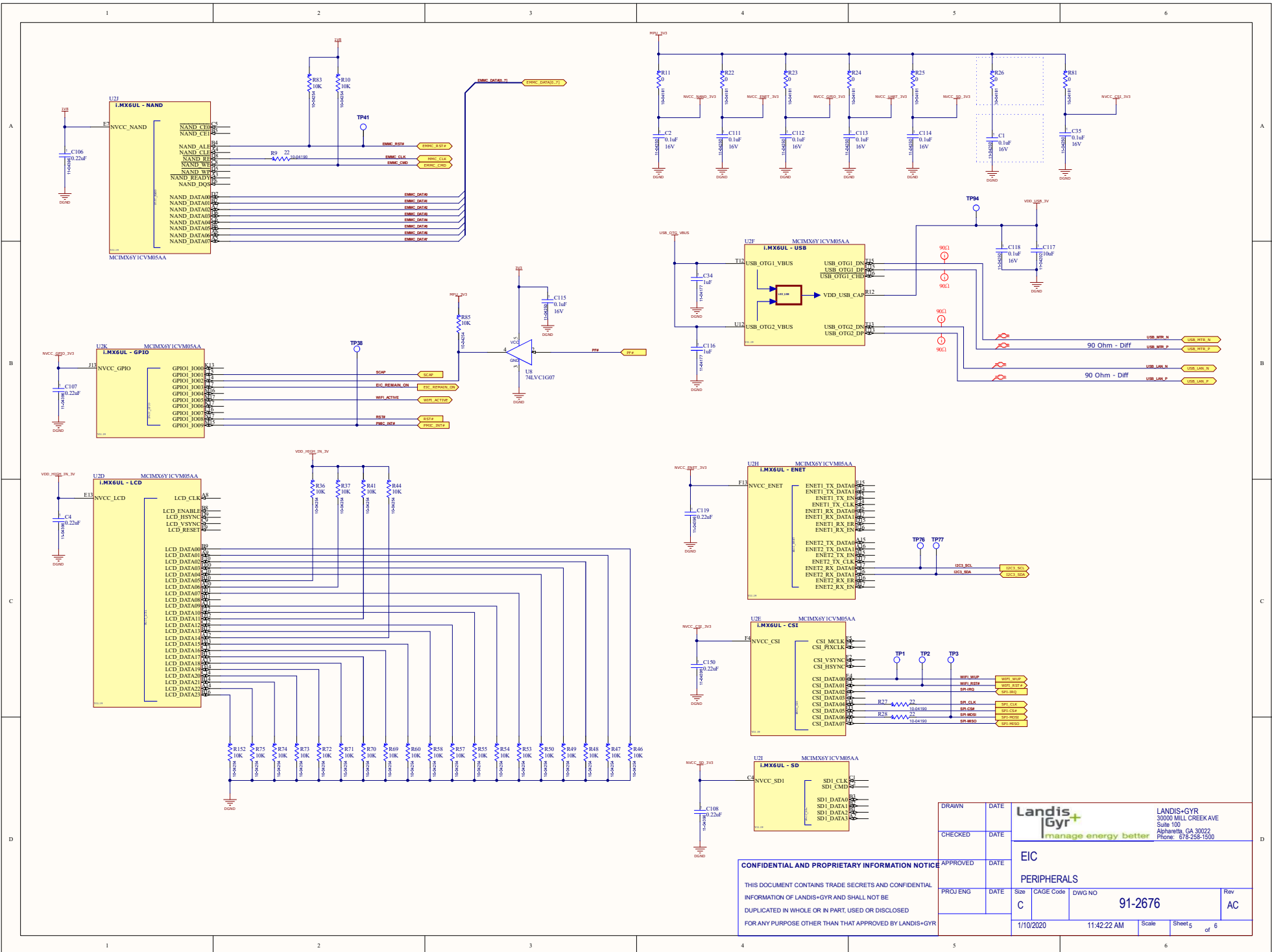
EMMC TRACE IMPEDANCE  
 CLK,CMD,I/O - 50 Ohm Single Ended

Ball Grid Pass-Thru Routing



**CONFIDENTIAL AND PROPRIETARY INFORMATION NOTICE**  
 THIS DOCUMENT CONTAINS TRADE SECRETS AND CONFIDENTIAL INFORMATION OF LANDIS+GYR AND SHALL NOT BE DUPLICATED IN WHOLE OR IN PART, USED OR DISCLOSED FOR ANY PURPOSE OTHER THAN THAT APPROVED BY LANDIS+GYR

DRAWN	DATE	 <b>Landis+Gyr</b> <i>manage energy better</i>	LANDIS+GYR 30000 MILL CREEK AVE Suite 100 Alpharetta, GA 30022 Phone: 678-258-1500	
CHECKED	DATE		EIC SLCNAND_MICROSD	Size C
APPROVED	DATE	Rev AC	1/10/2020	11:42:22 AM
PROJ ENG	DATE	Scale Sheet 4 of 6	91-2676	Rev AC

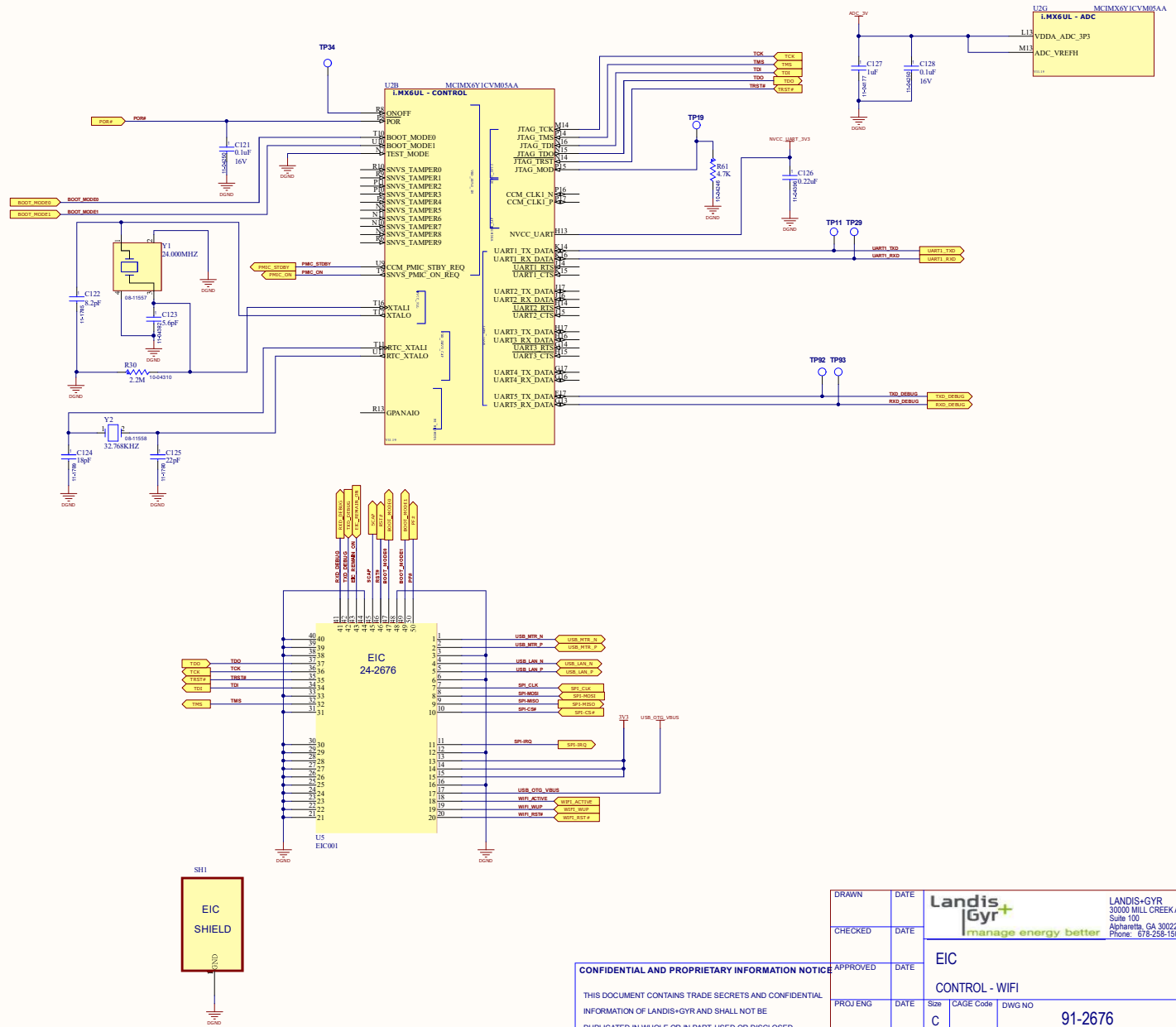


**CONFIDENTIAL AND PROPRIETARY INFORMATION NOTICE**

THIS DOCUMENT CONTAINS TRADE SECRETS AND CONFIDENTIAL INFORMATION OF LANDIS-GYR AND SHALL NOT BE DUPLICATED IN WHOLE OR IN PART, USED OR DISCLOSED FOR ANY PURPOSE OTHER THAN THAT APPROVED BY LANDIS-GYR

DRAWN	DATE	 <b>Landis+Gyr</b> <i>manage energy better</i>	LANDIS-GYR 3000 MILL CREEK AVE Suite 100 Alpharetta, GA 30022 Phone: 678-258-1500	
CHECKED	DATE		<b>EIC</b> <b>PERIPHERALS</b>	Size <b>C</b>
APPROVED	DATE	Rev <b>AC</b>	1/10/2020	11:42:22 AM
PROJ ENG	DATE	Scale Sheet 5 of 6	1/10/2020	11:42:22 AM

BMODE [1:0]	BOOT TYPE
00	Boot from Fuses
01	Serial Downloader
10	Internal Boot (Development)
11	Reserved



DRAWN	DATE	 <b>Landis+Gyr</b> <i>manage energy better</i>	LANDIS+GYR 30000 MILL CREEK AVE Suite 100 Alpharetta, GA 30022 Phone: 678-258-1500	
CHECKED	DATE			
APPROVED	DATE	<b>EIC CONTROL - WIFI</b>		
PROJ ENG	DATE	Size <b>C</b>	CAGE Code DWG NO <b>91-2676</b>	Rev <b>AC</b>
		1/10/2020	11:42:22 AM	Scale Sheet 6 of 6

**CONFIDENTIAL AND PROPRIETARY INFORMATION NOTICE**

THIS DOCUMENT CONTAINS TRADE SECRETS AND CONFIDENTIAL INFORMATION OF LANDIS+GYR AND SHALL NOT BE DUPLICATED IN WHOLE OR IN PART, USED OR DISCLOSED FOR ANY PURPOSE OTHER THAN THAT APPROVED BY LANDIS+GYR