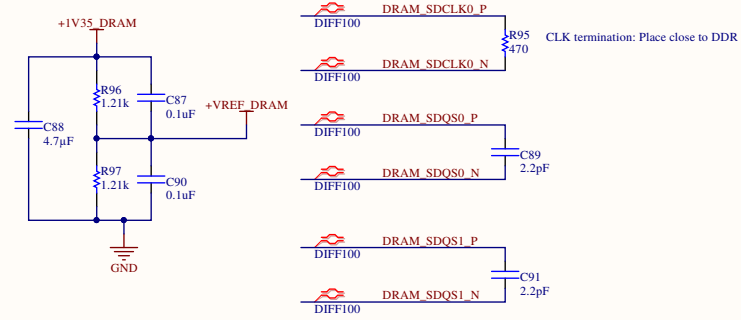
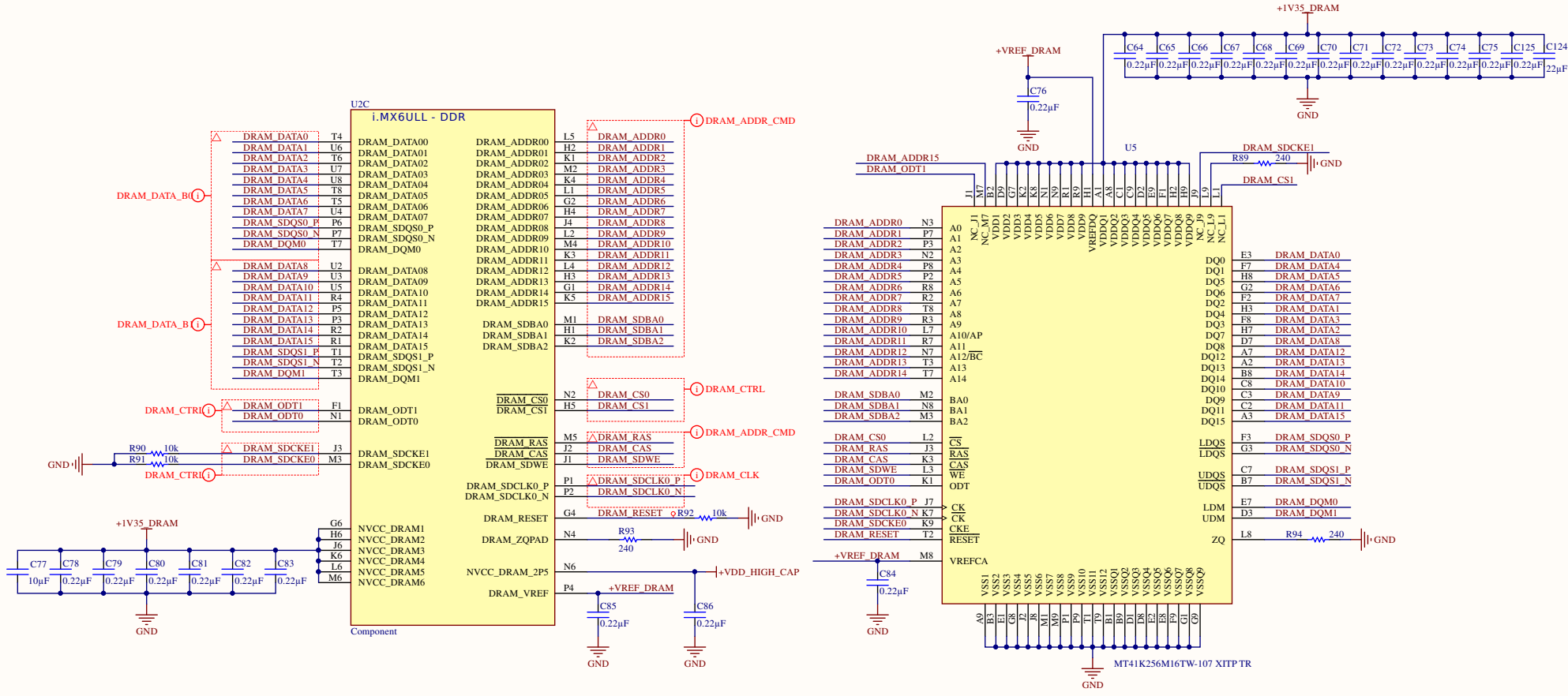


CPU_DDR



Project :	CLE001-SCH-001-R03		
File :	[8] - CPU_DDR.SchDoc		
Date :	11.12.2020	Rev :	3.0
Designed by :	Victor Shapoval	Sheet :	9 of 13

