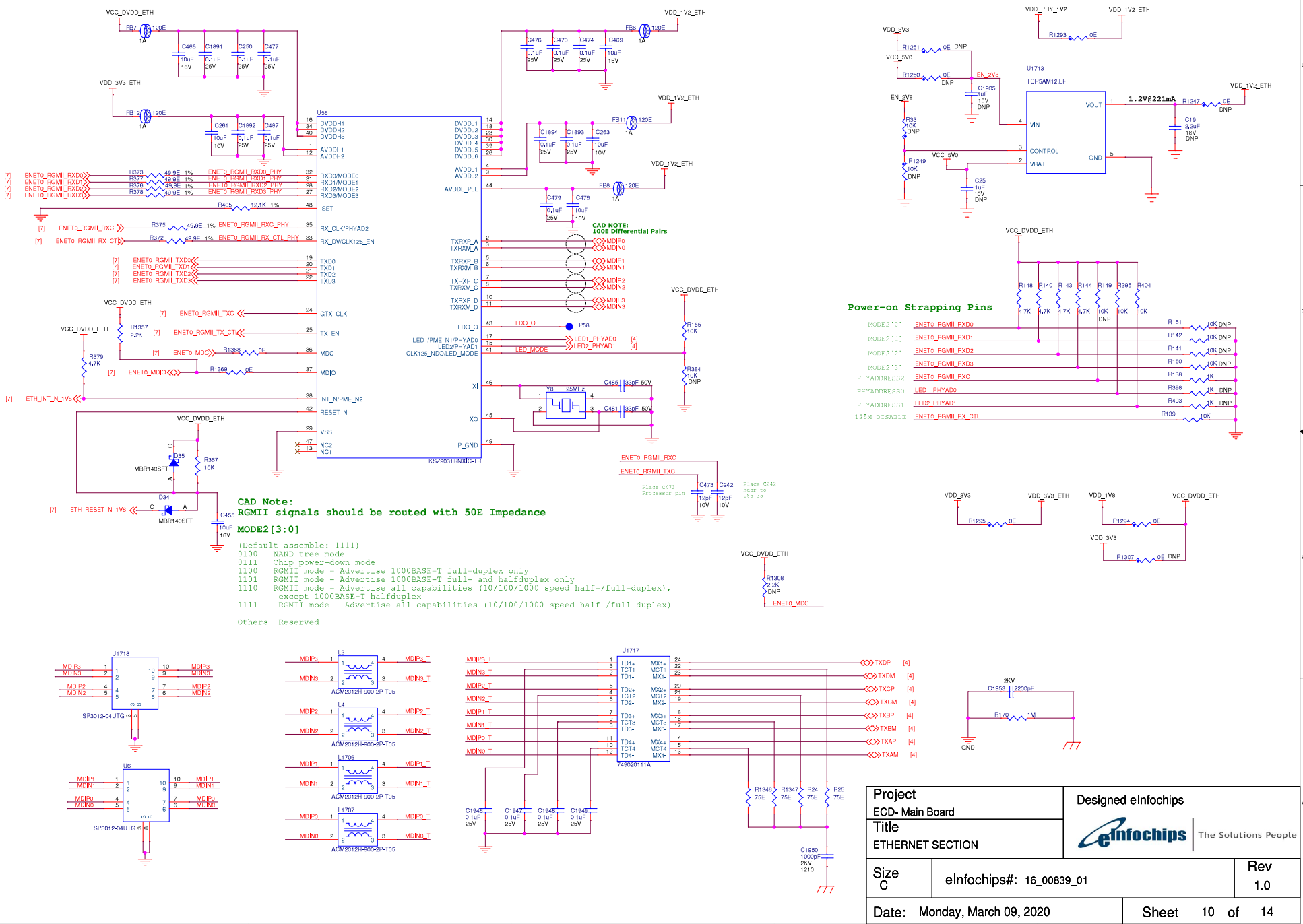


# ETHERNET SECTION

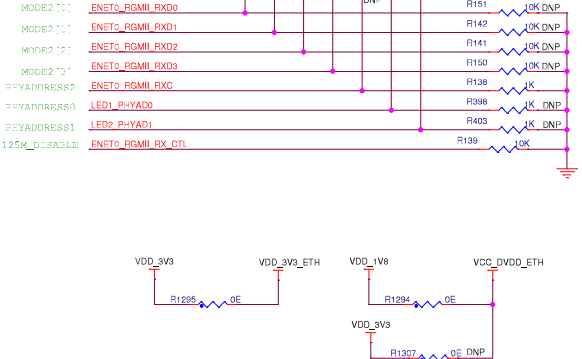


**CAD Note:**  
 RGMII signals should be routed with 50E Impedance

**MODE2[3:0]**  
 (Default assemble: 1111)  
 C100 NAND tree mode  
 0111 Chip power-down mode  
 1100 RGMII mode - Advertise 1000BASE-T full-duplex only  
 1101 RGMII mode - Advertise 1000BASE-T full- and halfduplex only  
 1110 RGMII mode - Advertise all capabilities (10/100/1000 speed half-/full-duplex),  
 except 1000BASE-T halfduplex  
 1111 RGMII mode - Advertise all capabilities (10/100/1000 speed half-/full-duplex)

Others Reserved

**Power-on Strapping Pins**



|                              |                          |                      |  |
|------------------------------|--------------------------|----------------------|--|
| Project<br>ECC- Main Board   |                          | Designed eInfochips  |  |
| Title<br>ETHERNET SECTION    |                          | The Solutions People |  |
| Size<br>C                    | eInfochips#: 16_00839_01 | Rev<br>1.0           |  |
| Date: Monday, March 09, 2020 | Sheet 10 of 14           |                      |  |