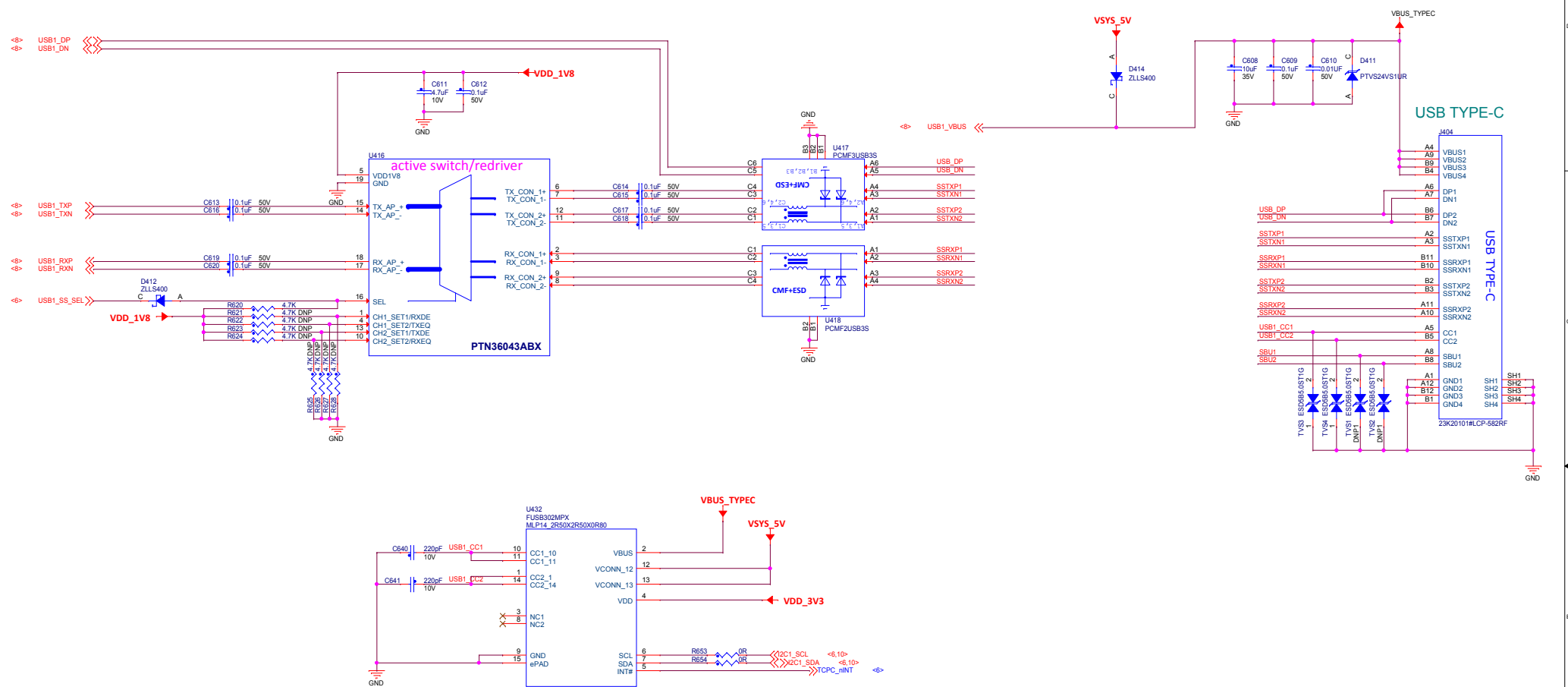


USB3.0/2.0 TYPE-C Download



		Microcontroller Product Group 6501 William Cannon Drive West Austin, TX 78735-5098	
		This document contains information proprietary to NXP and shall not be used for engineering design, procurement or manufacture in whole or in part without the express written permission of NXP Semiconductors.	
Designer: ~JW~		Drawing Title: MCIMX8M-EVKB	
Drawn by: ~JW~		Page Title: USB	
Approved: ~Approver~		Size C	Document Number SCH-38820 PDF: SPF-38820
Date: Wednesday, June 03, 2020		Sheet 12	of 19