

CABIN MANAGEMENT SOLUTIONS

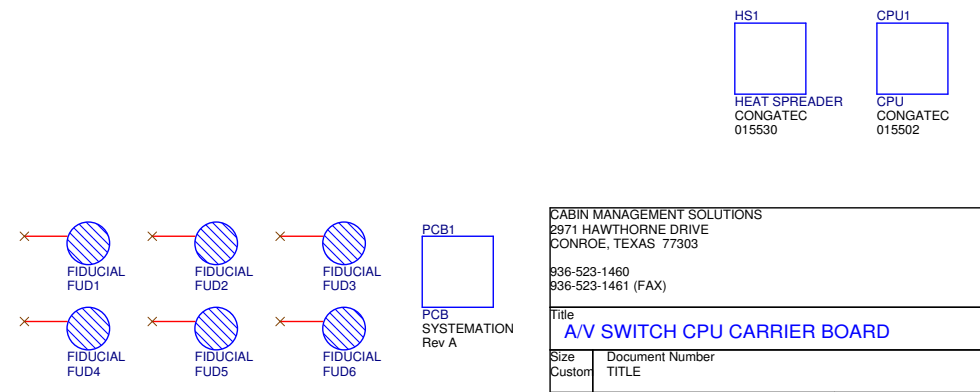
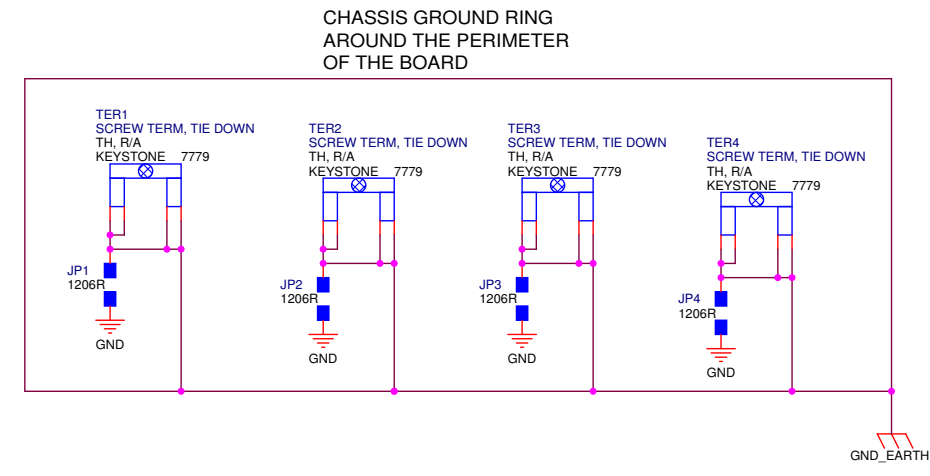


REVISION HISTORY		
VERSION	DATE	DESCRIPTION
A	06-JAN-2020 14-FEB-2020	RELEASE SWAP ODD/EVEN ON BUS CONNECTOR ADDED A CRT OUTPUT

VIDEO/AUDIO DISTRIBUTION SYSTEM CPU CARRIER BOARD

REVISION A
18-FEB-2020
PPC JOB # 6484

COMPOSITE VIDEO/AUDIO INPUT BOARD
306-0009-01 CCA CPU CARRIER

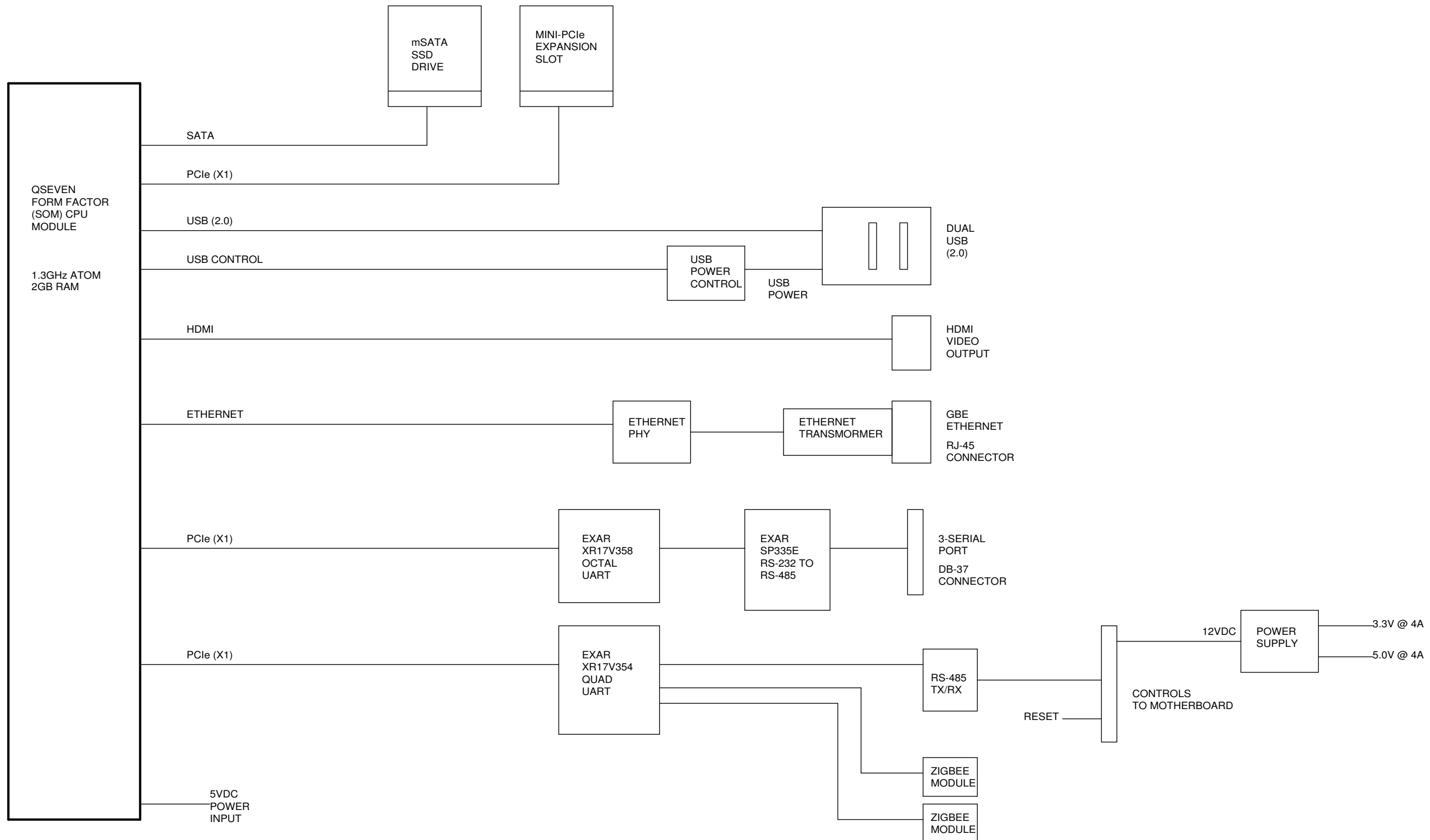


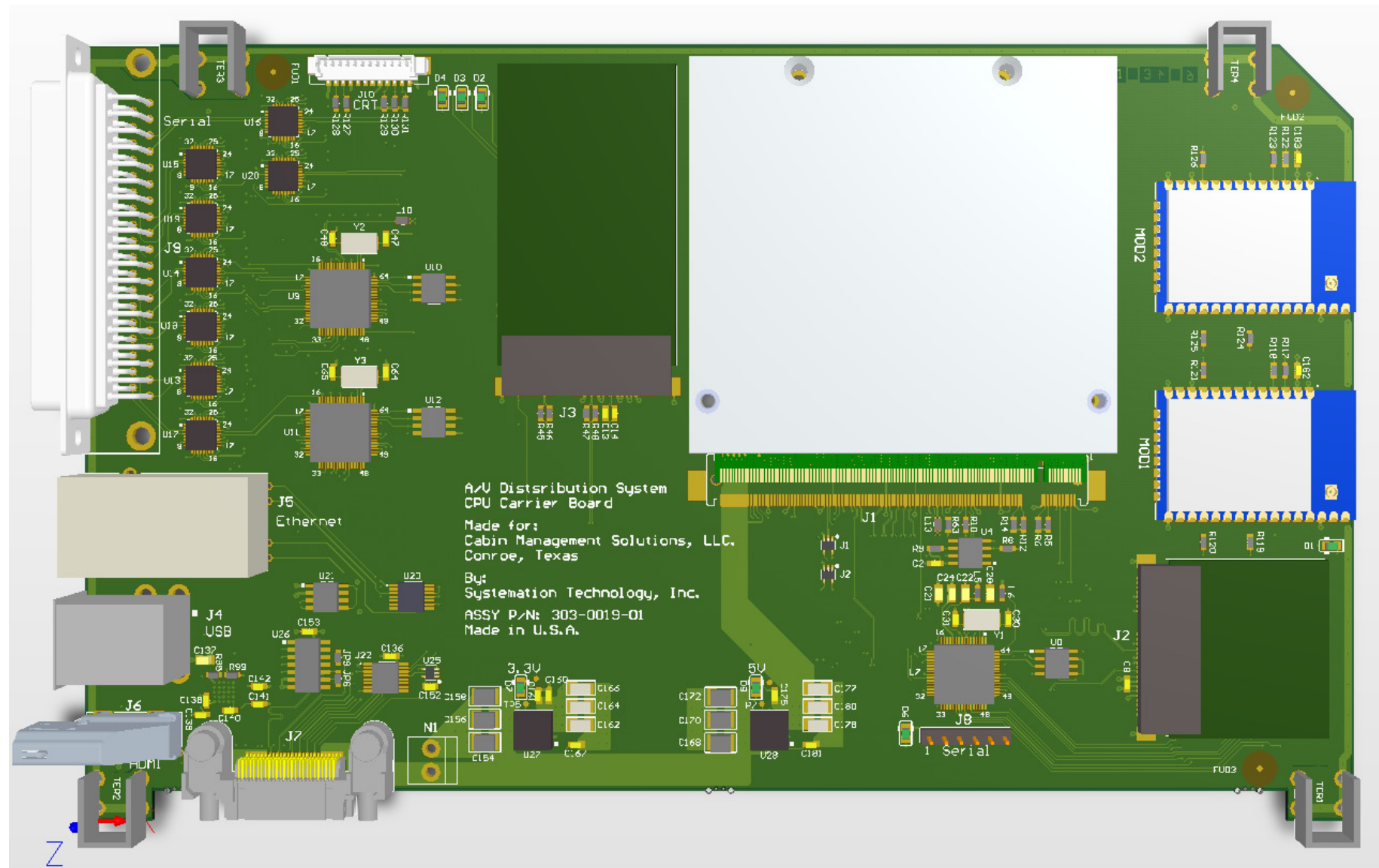
CABIN MANAGEMENT SOLUTIONS
2971 HAWTHORNE DRIVE
CONROE, TEXAS 77303
936-523-1460
936-523-1461 (FAX)

Title
A/V SWITCH CPU CARRIER BOARD

Size Custom Document Number TITLE Rev A

Date: Wednesday, March 04, 2020 Sheet 1 of 18

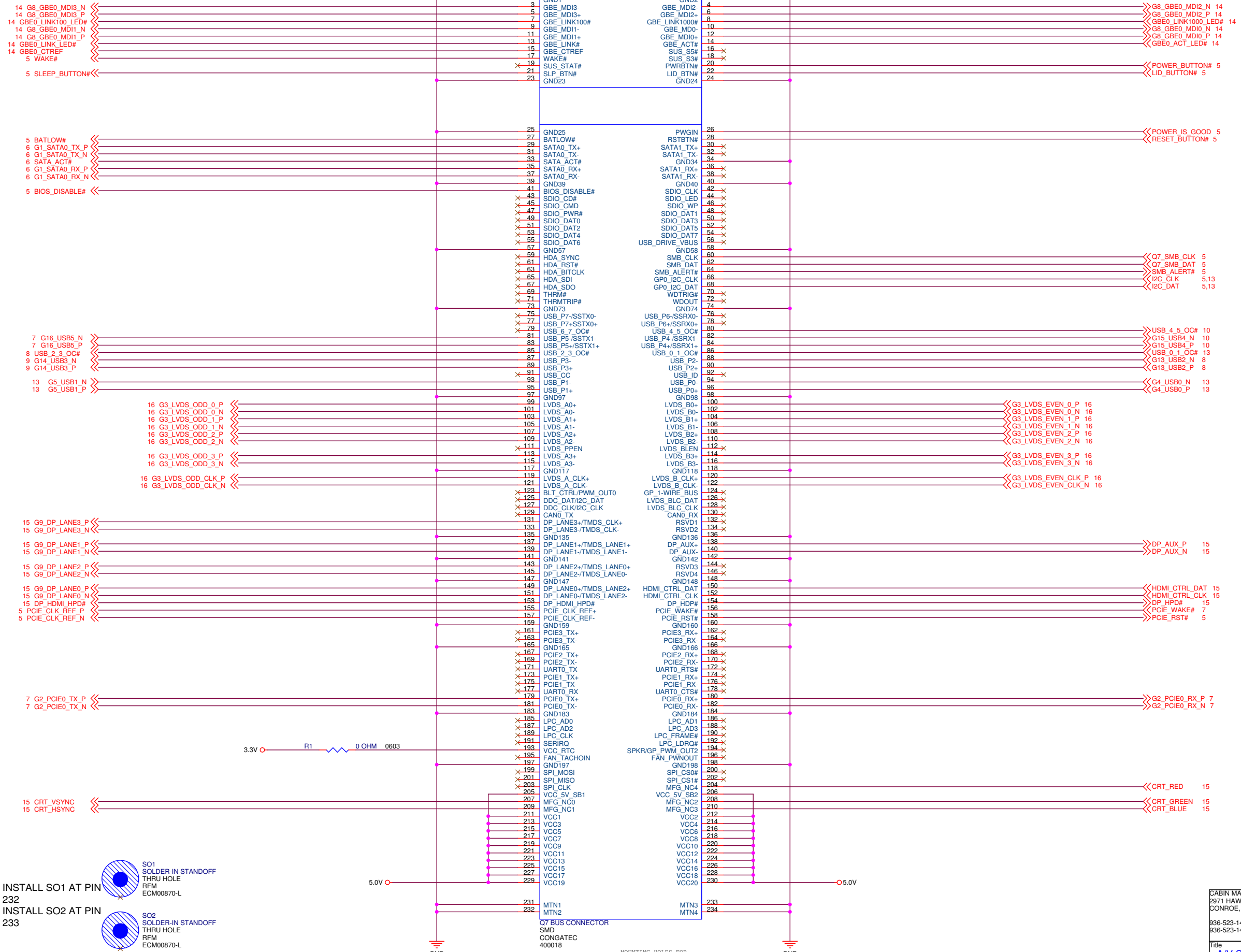




CABIN MANAGEMENT SOLUTIONS
 2971 HAWTHORNE DRIVE
 CONROE, TEXAS 77303
 936-523-1460
 936-523-1461 (FAX)

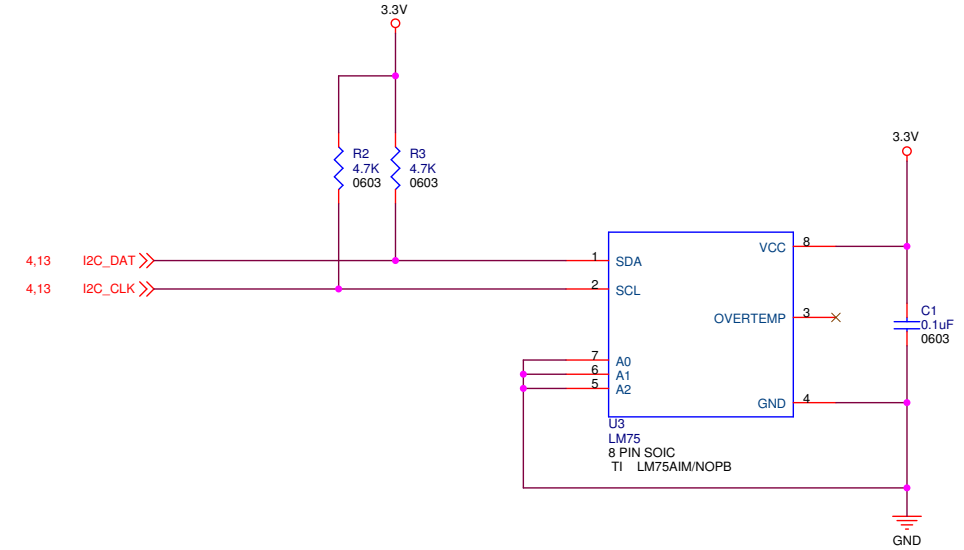
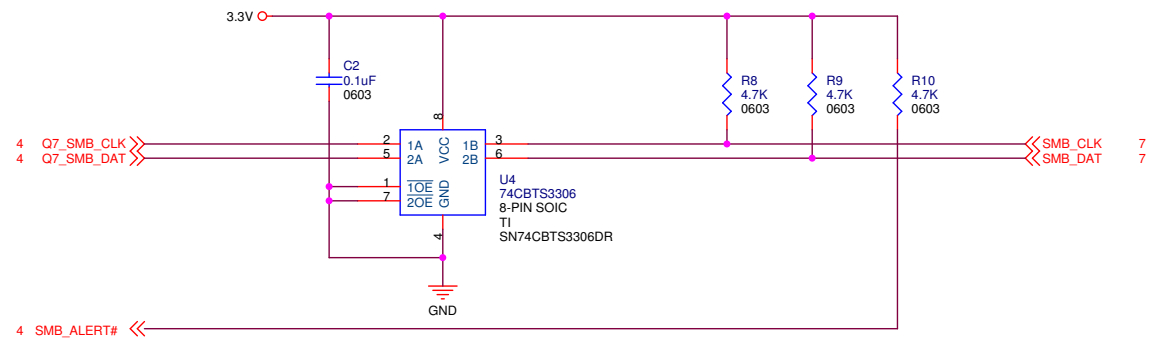
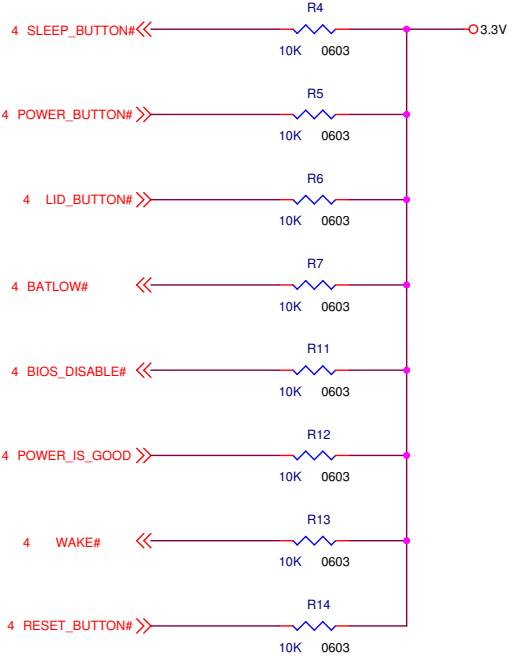
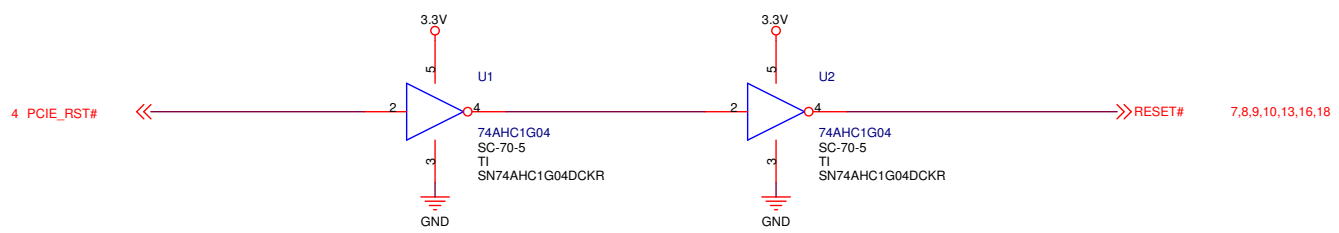
Title
A/V SWITCH CPU CARRIER BOARD

Size	Document Number	Rev
Custom	PC BOARD LAYOUT	A
Date:	Wednesday, March 04, 2020	Sheet 3 of 18

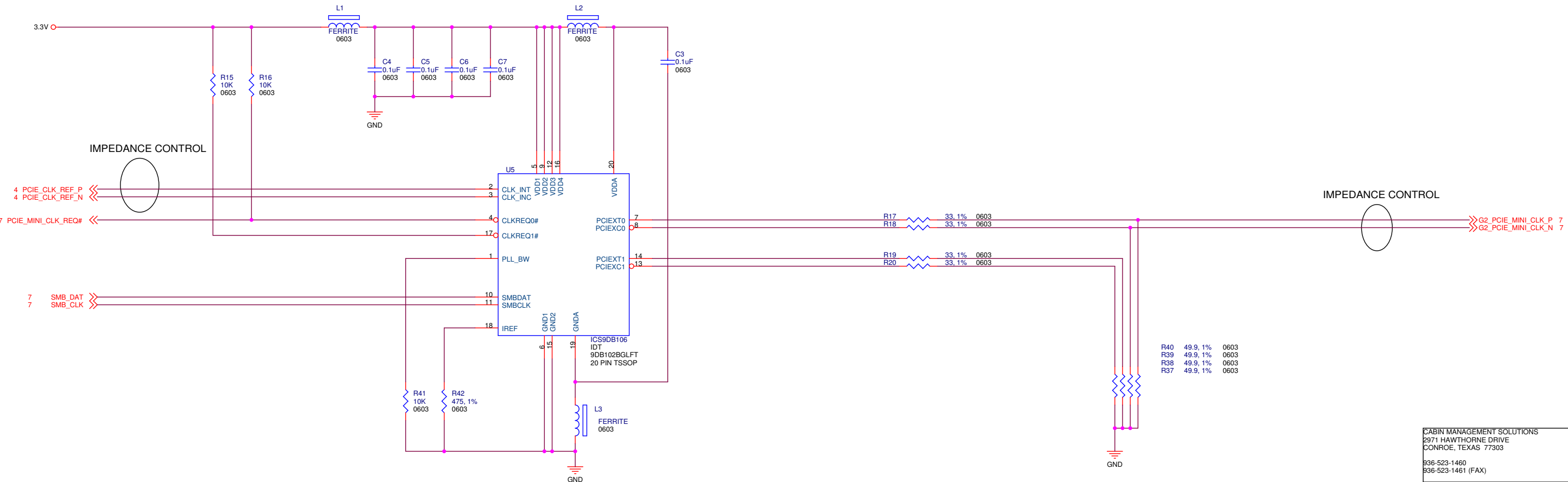


CABIN MANAGEMENT SOLUTIONS
 2971 HAWTHORNE DRIVE
 CONROE, TEXAS 77303
 936-523-1460
 936-523-1461 (FAX)

Title: A/V SWITCH CPU CARRIER BOARD
 Size: Custom
 Document Number: QSEVEN CONNECTOR
 Date: Wednesday, March 04, 2020
 Sheet: 4 of 18
 Rev: A

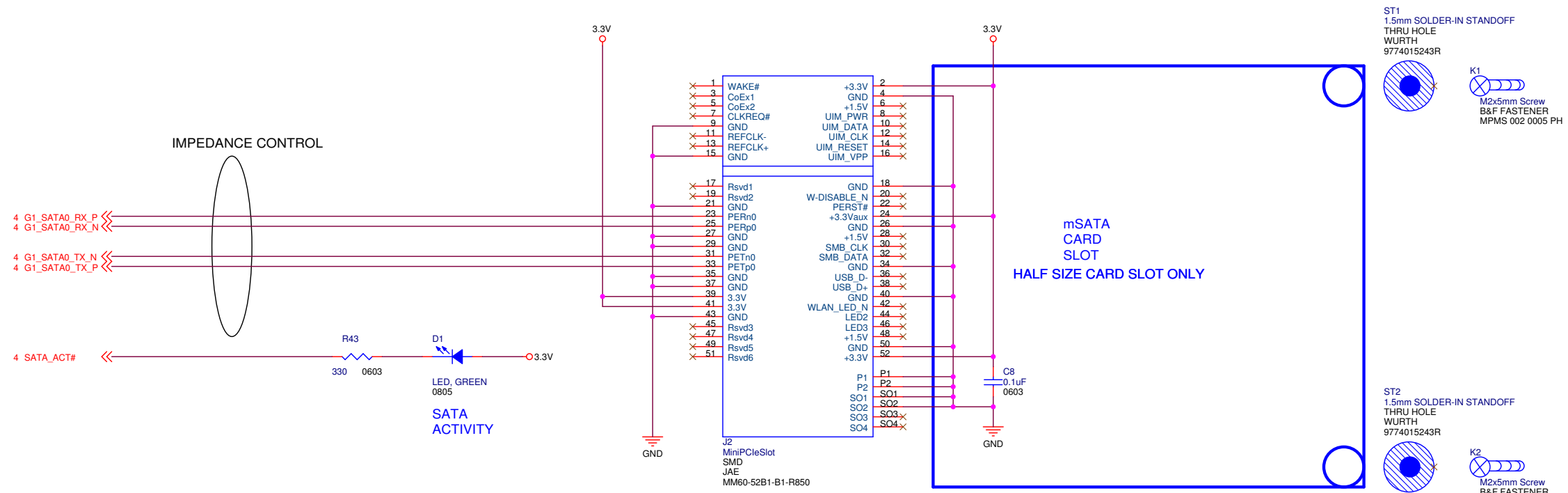


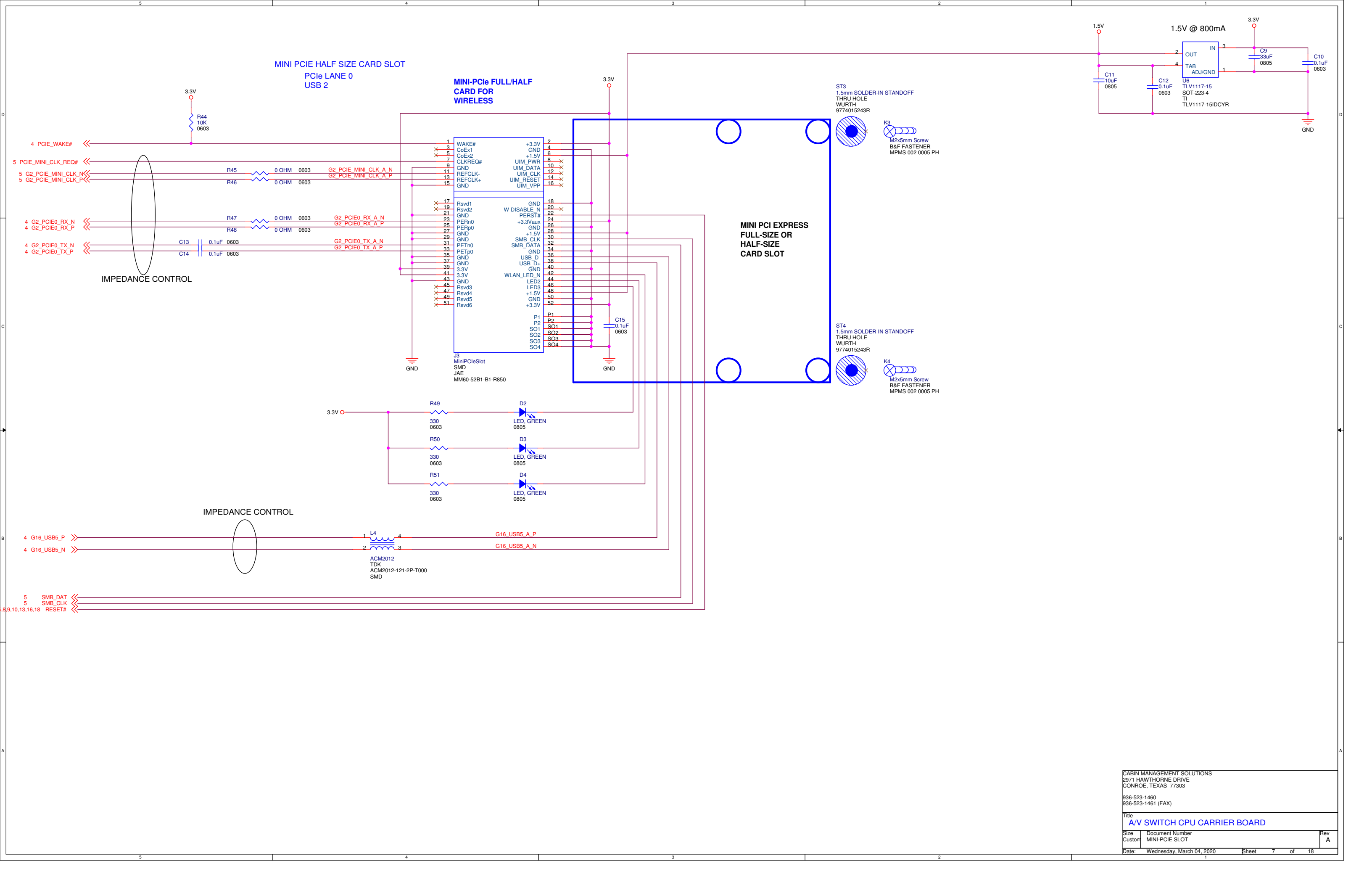
TEMP SENSOR
LOCATED ON BOTTOM
OF BOARD UNDER
QSEVEN MODULE
I2C ADDRESS
90H/91H



R40	49.9, 1%	0603
R39	49.9, 1%	0603
R38	49.9, 1%	0603
R37	49.9, 1%	0603

CABIN MANAGEMENT SOLUTIONS 2971 HAWTHORNE DRIVE CONROE, TEXAS 77303 936-523-1460 936-523-1461 (FAX)		
Title A/V SWITCH CPU CARRIER BOARD		
Size Custom	Document Number QSEVEN SUPPORT	Rev A
Date: Wednesday, March 04, 2020	Sheet 5 of 18	

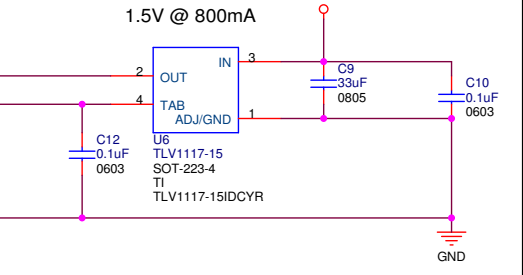




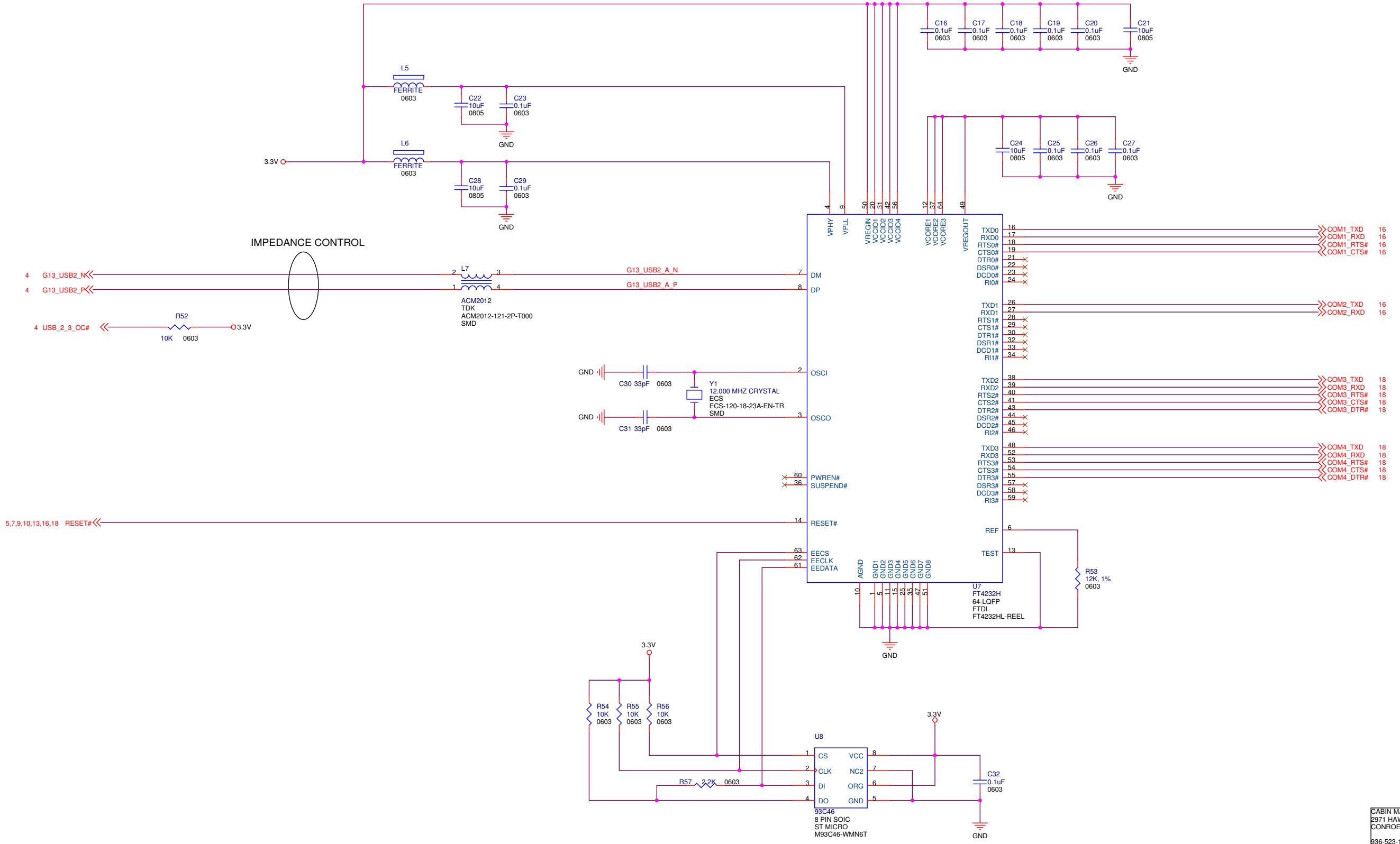
MINI-PCIe HALF SIZE CARD SLOT
PCIe LANE 0
USB 2

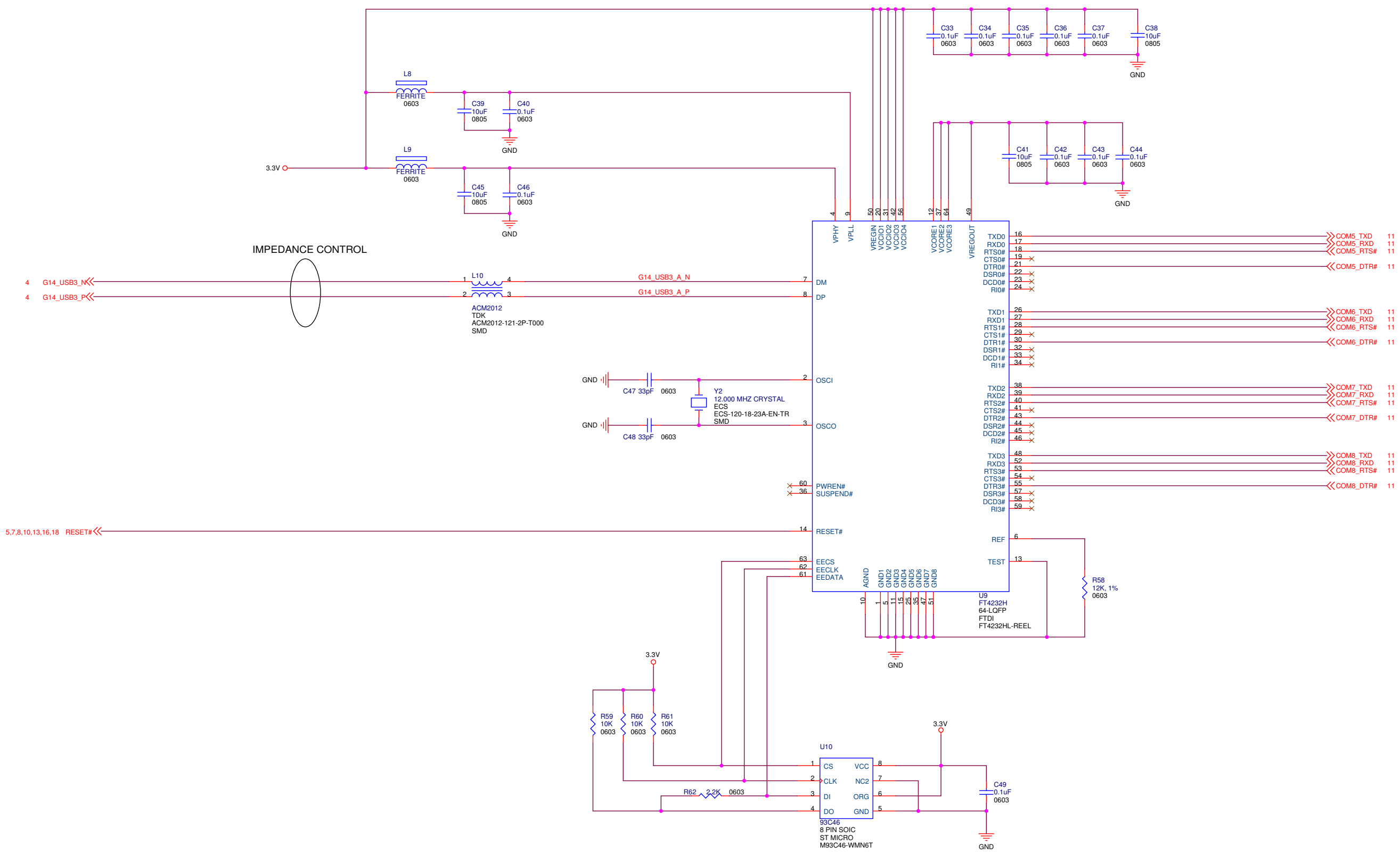
MINI-PCIe FULL/HALF
CARD FOR
WIRELESS

MINI PCI EXPRESS
FULL-SIZE OR
HALF-SIZE
CARD SLOT



CABIN MANAGEMENT SOLUTIONS 2971 HAWTHORNE DRIVE CONROE, TEXAS 77303 936-523-1460 936-523-1461 (FAX)	
Title A/V SWITCH CPU CARRIER BOARD	
Size Custom	Document Number MINI-PCIe SLOT
Date: Wednesday, March 04, 2020	Sheet 7 of 18
Rev A	

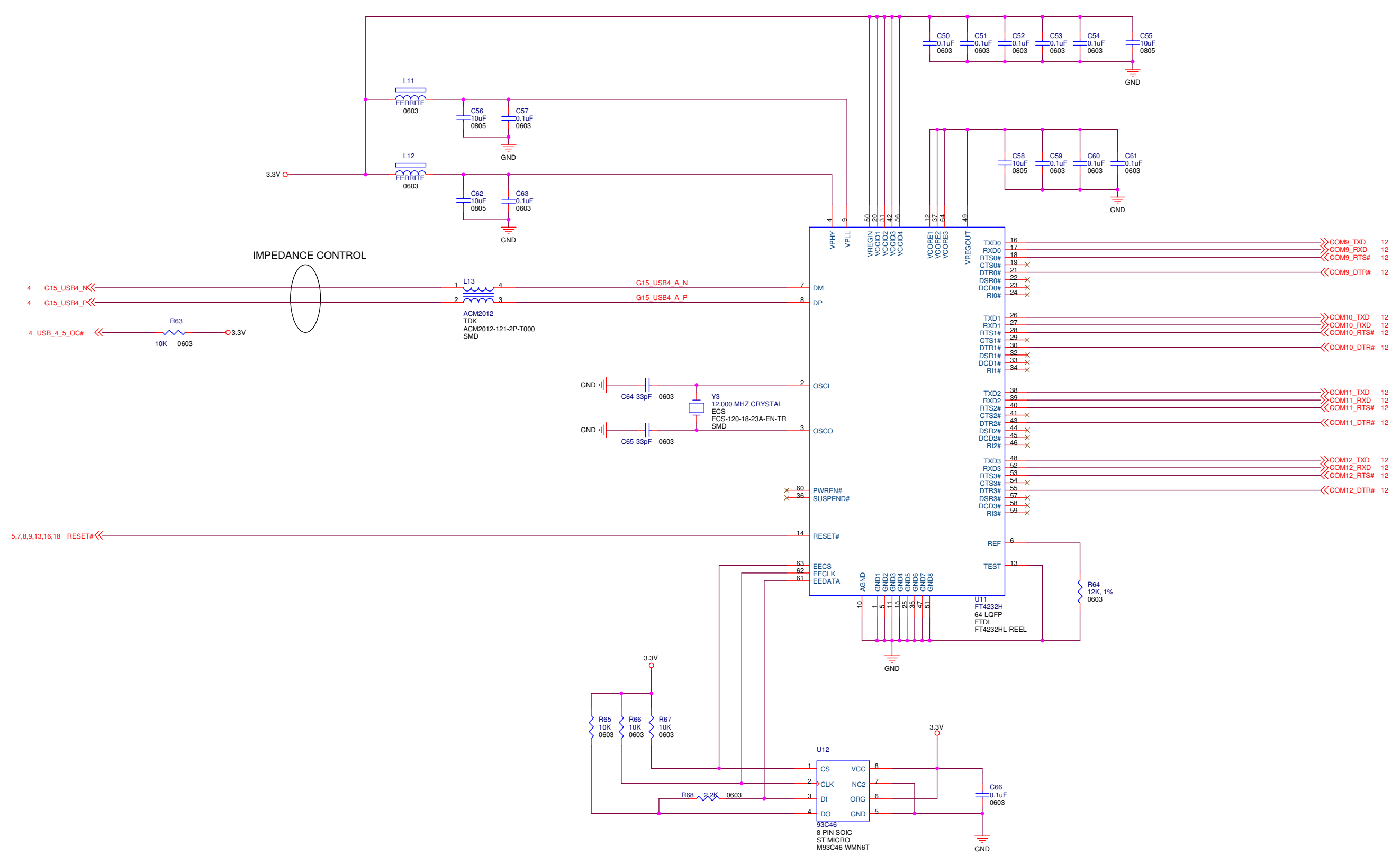




CABIN MANAGEMENT SOLUTIONS
 2971 HAWTHORNE DRIVE
 CONROE, TEXAS 77303
 936-523-1460
 936-523-1461 (FAX)

Title
A/V SWITCH CPU CARRIER BOARD

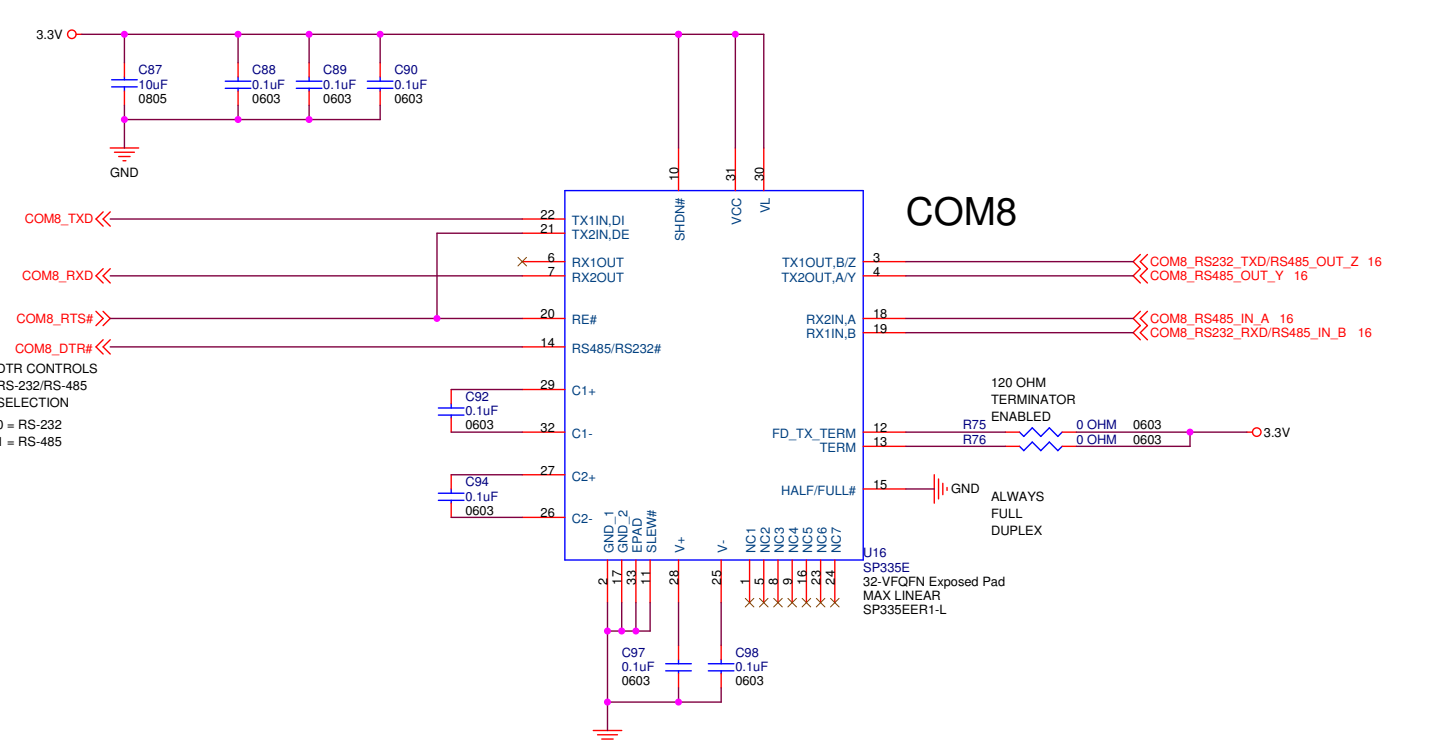
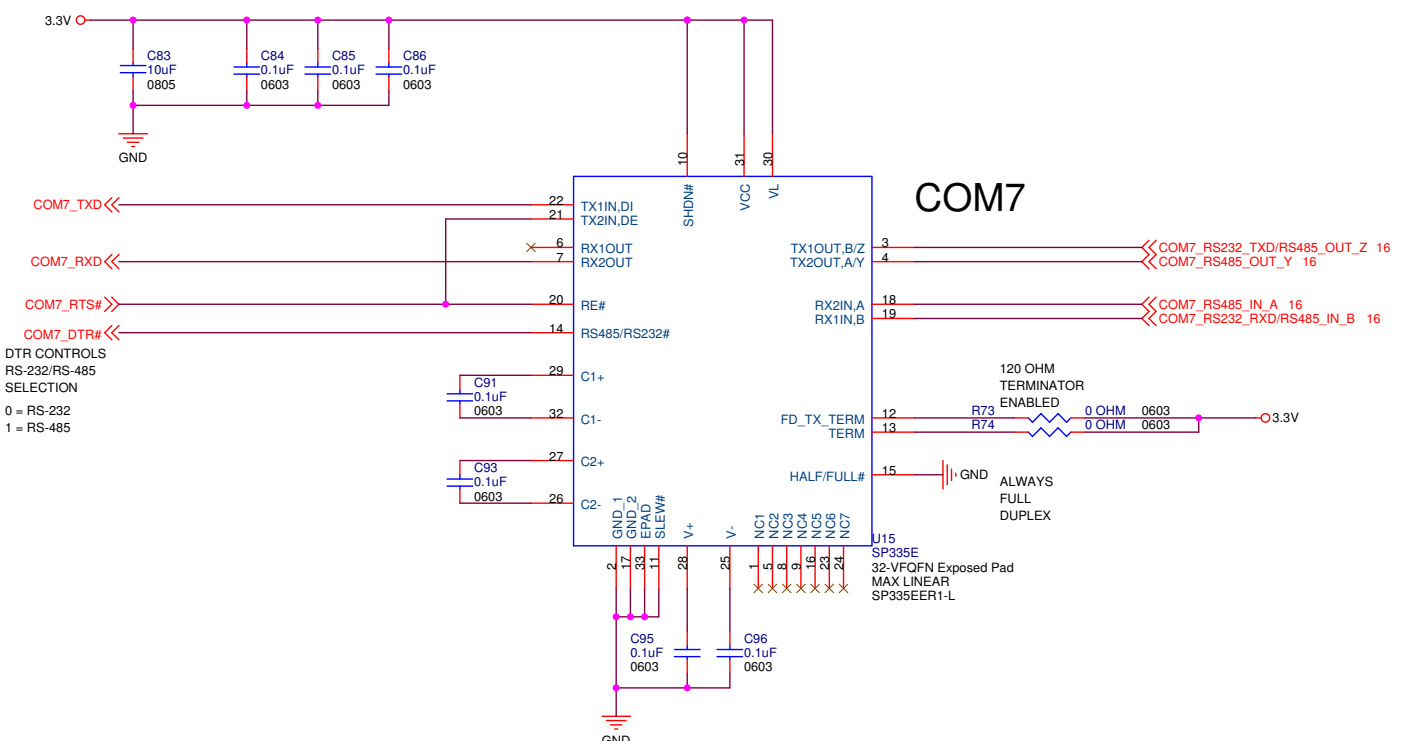
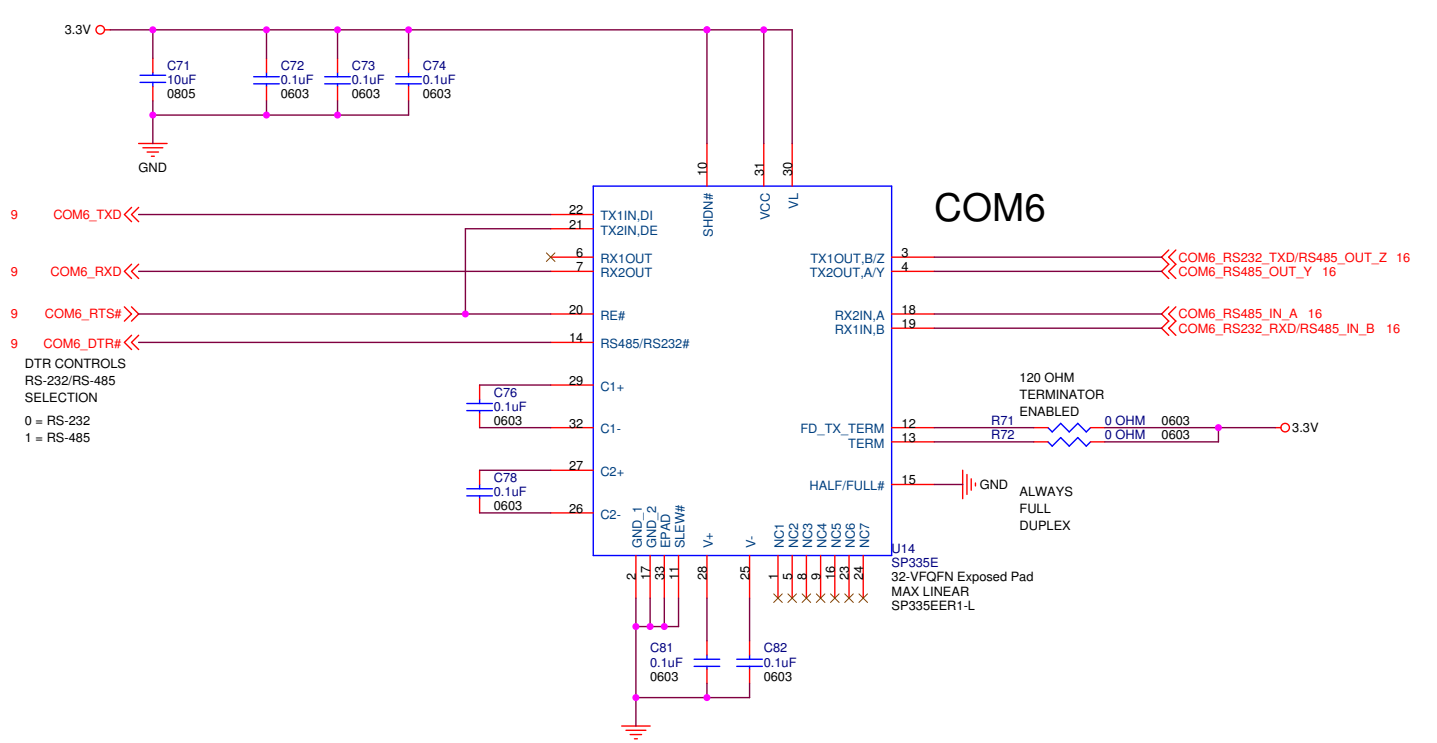
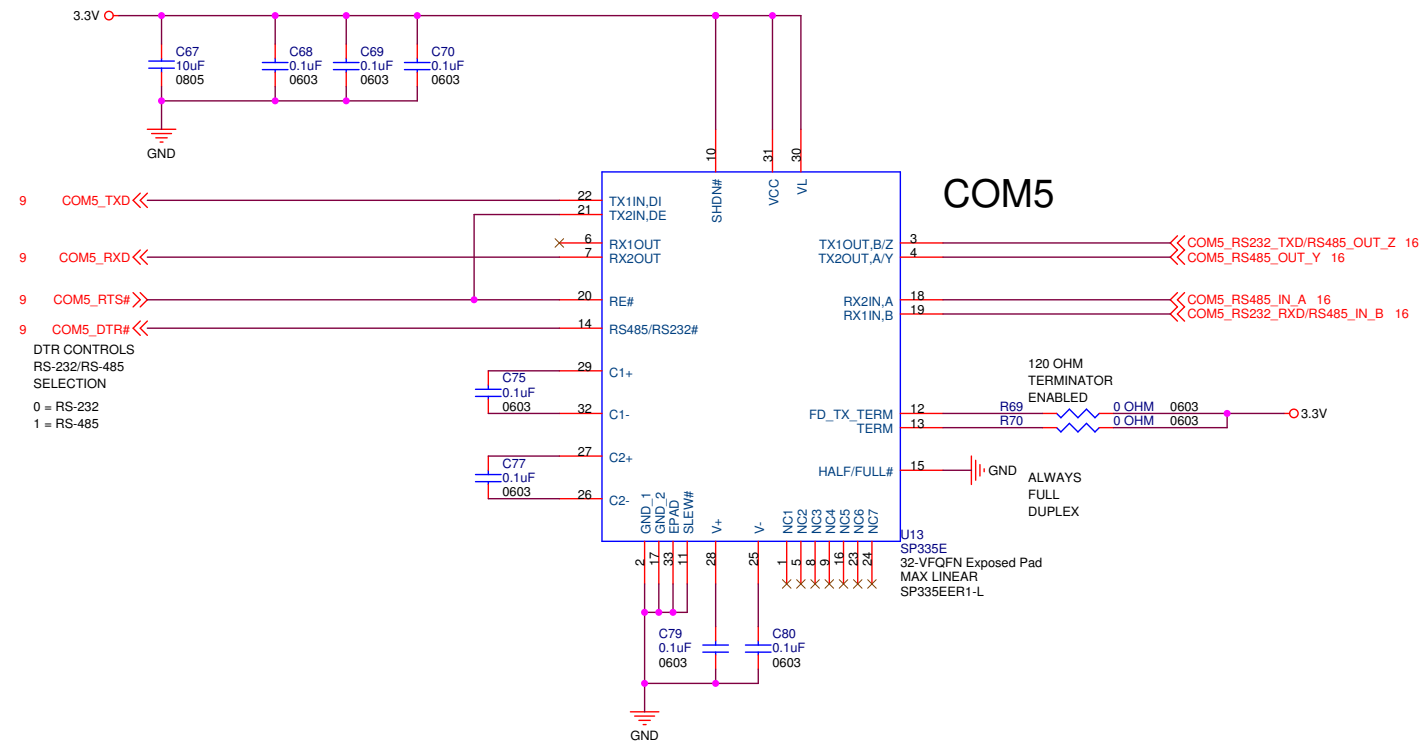
Size	Document Number	Rev
Custom	SERIAL PORT CONTROLLER, UARTS 5-12	A
Date:	Wednesday, March 04, 2020	Sheet 9 of 18



CABIN MANAGEMENT SOLUTIONS
 2971 HAWTHORNE DRIVE
 CONROE, TEXAS 77303
 936-523-1460
 936-523-1461 (FAX)

Title
A/V SWITCH CPU CARRIER BOARD

Size Custom Document Number SERIAL PORT CONTROLLER, UARTS 9-12 Rev A
 Date: Wednesday, March 04, 2020 Sheet 10 of 18

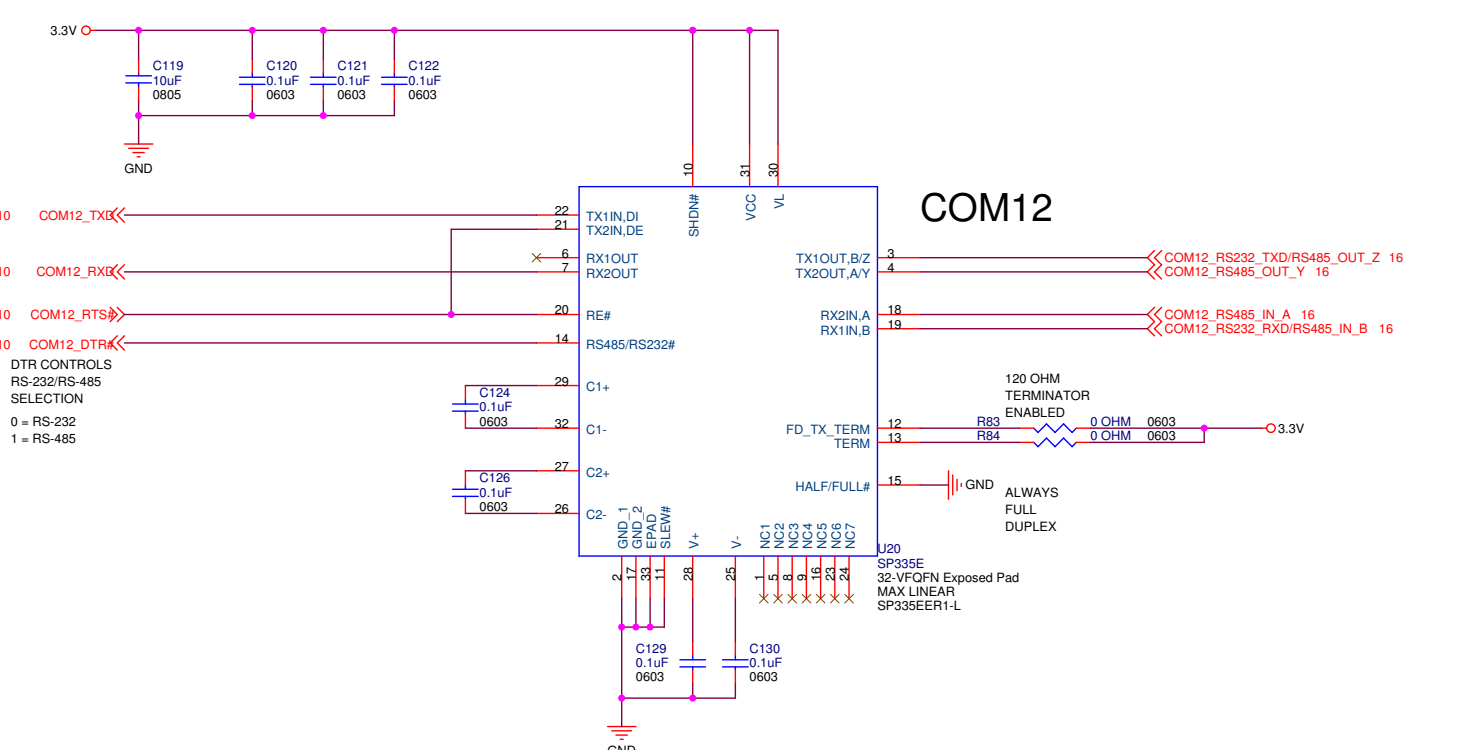
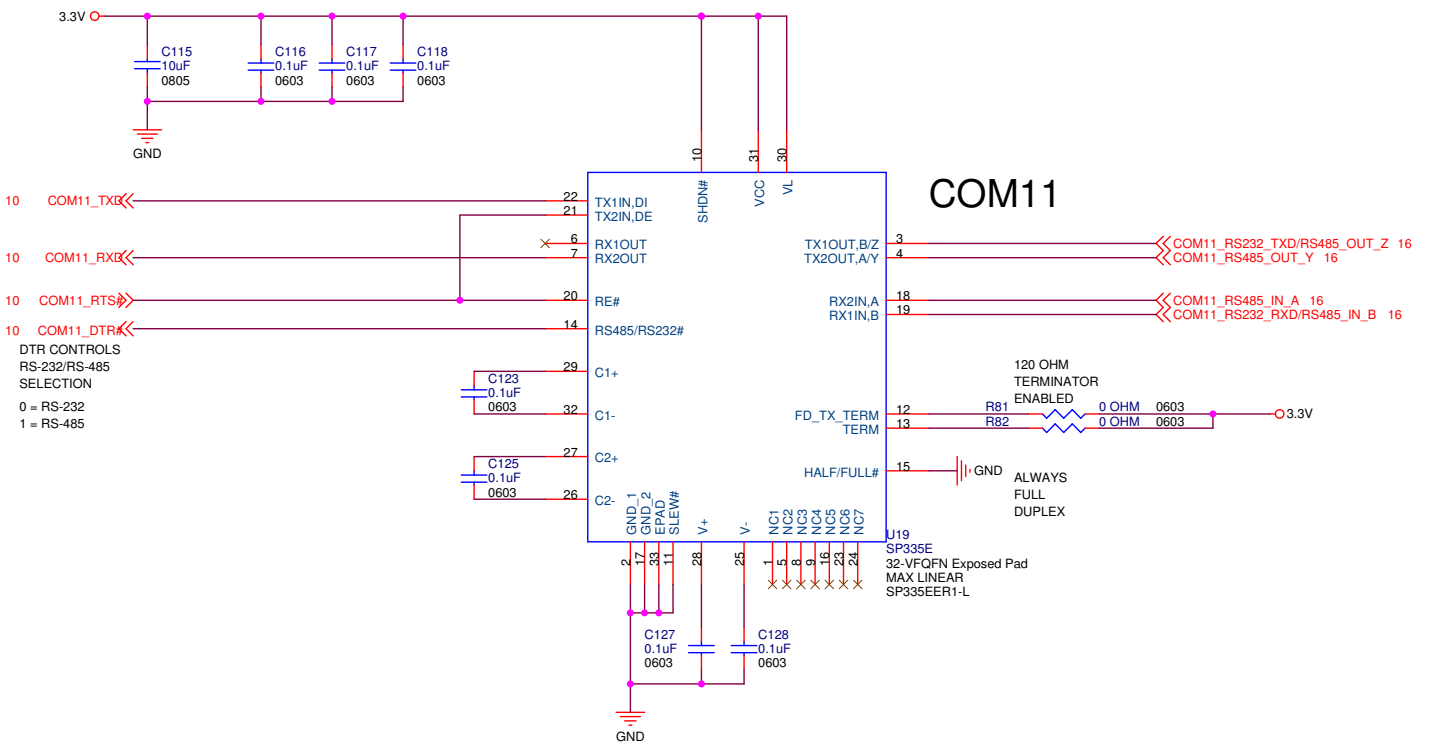
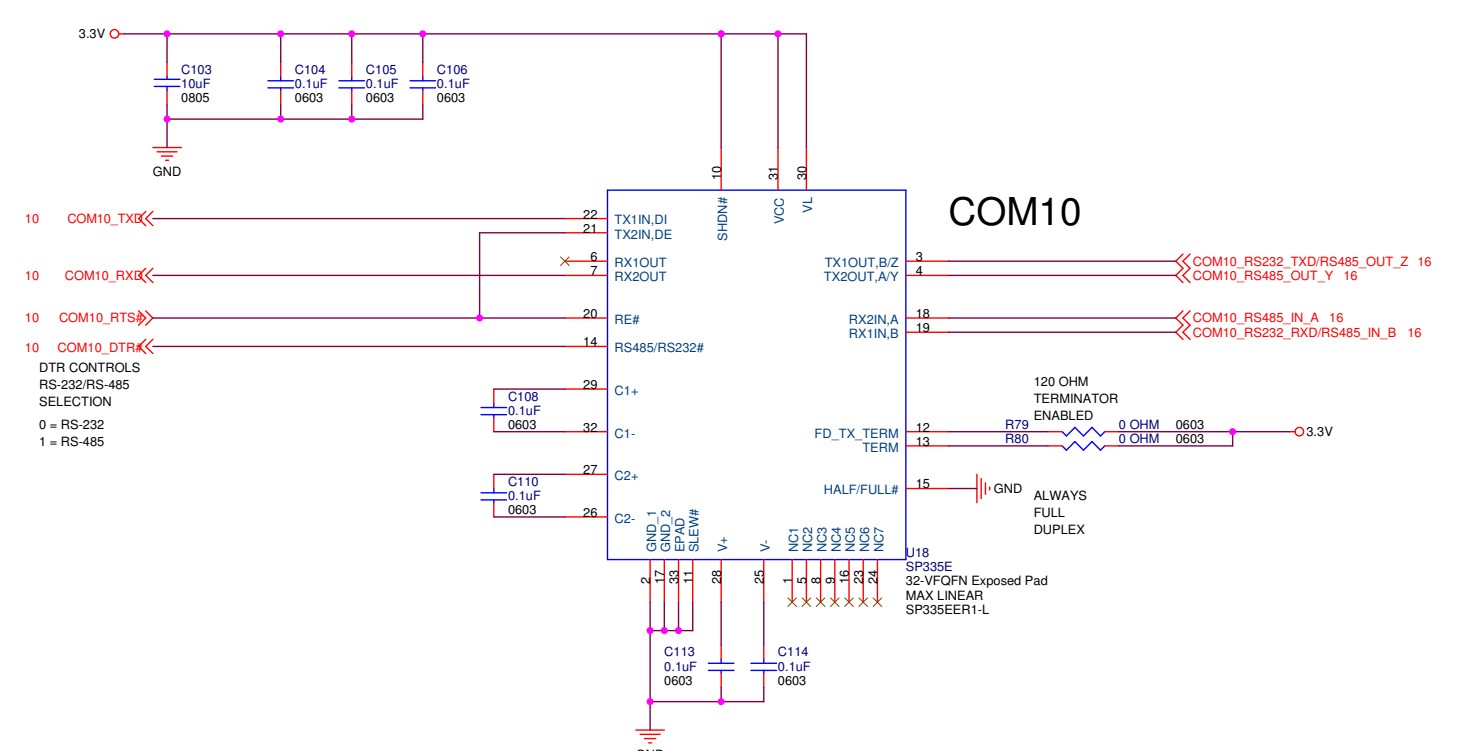
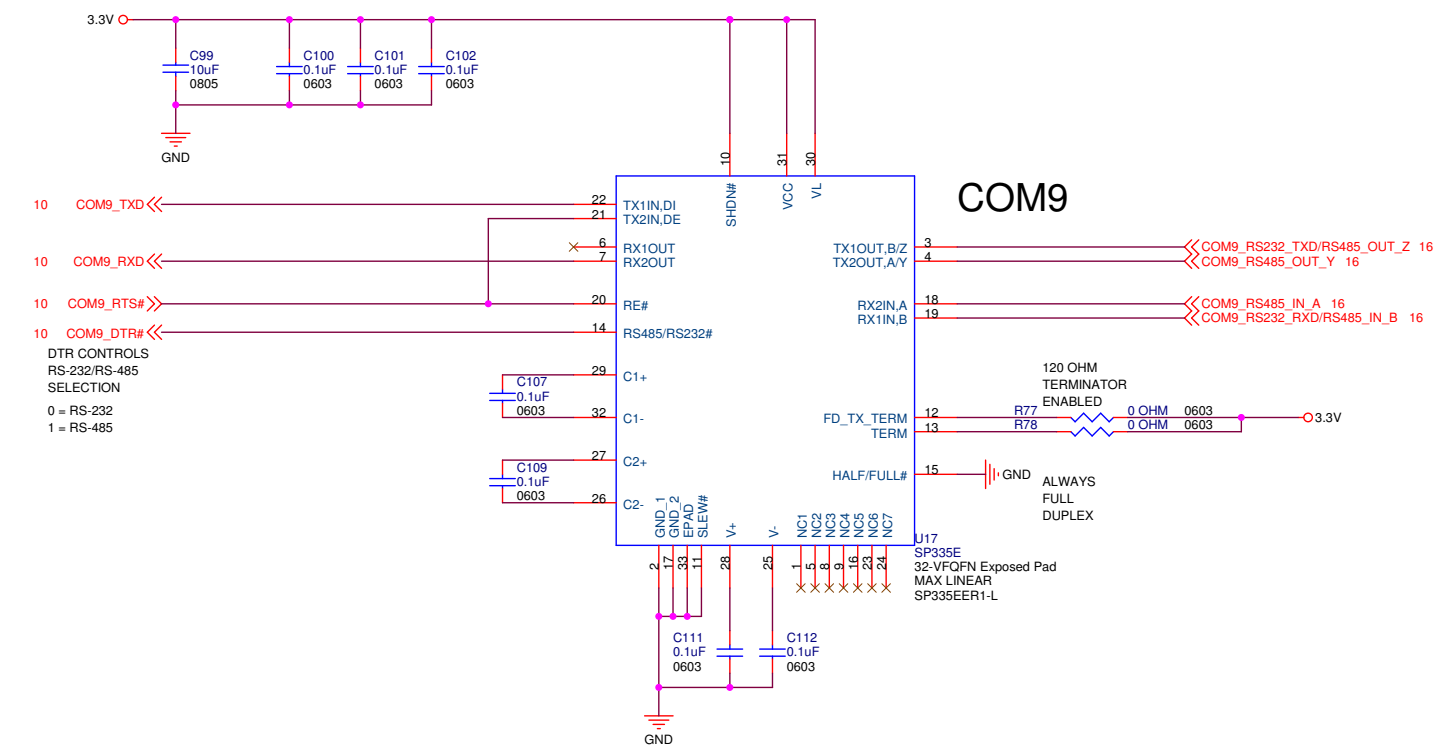


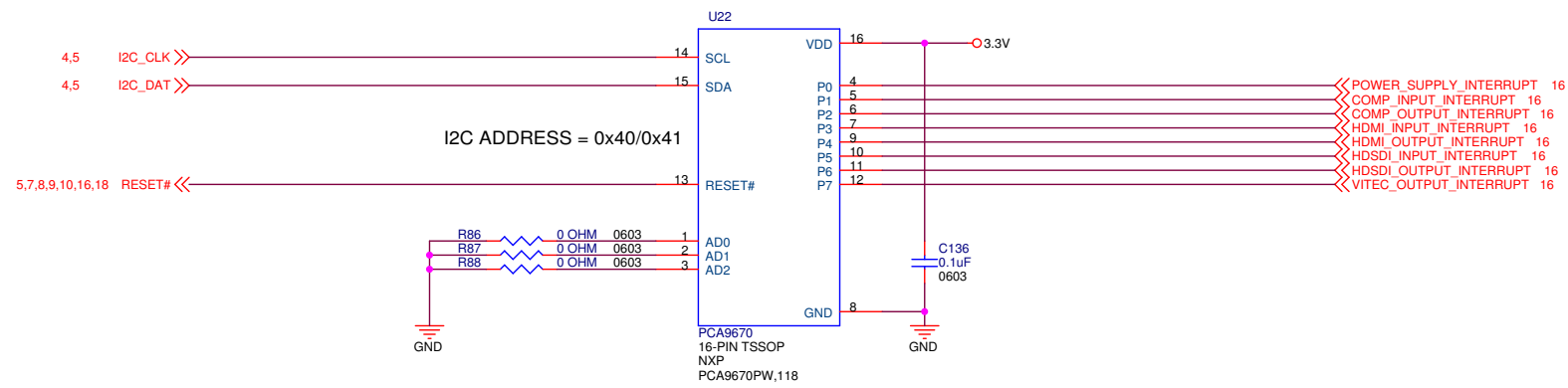
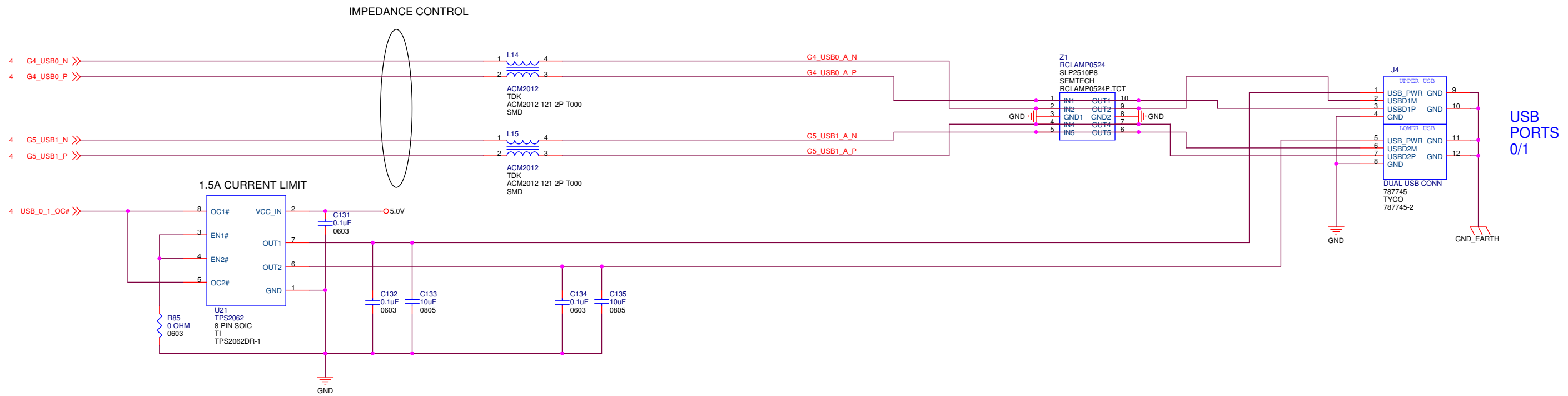
CABIN MANAGEMENT SOLUTIONS
 2971 HAWTHORNE DRIVE
 CONROE, TEXAS 77303
 936-523-1460
 936-523-1461 (FAX)

Title
A/V SWITCH CPU CARRIER BOARD

Size Document Number
 Custom SERIAL PORT OUTPUT Rev
 A

Date: Wednesday, March 04, 2020 Sheet 11 of 18

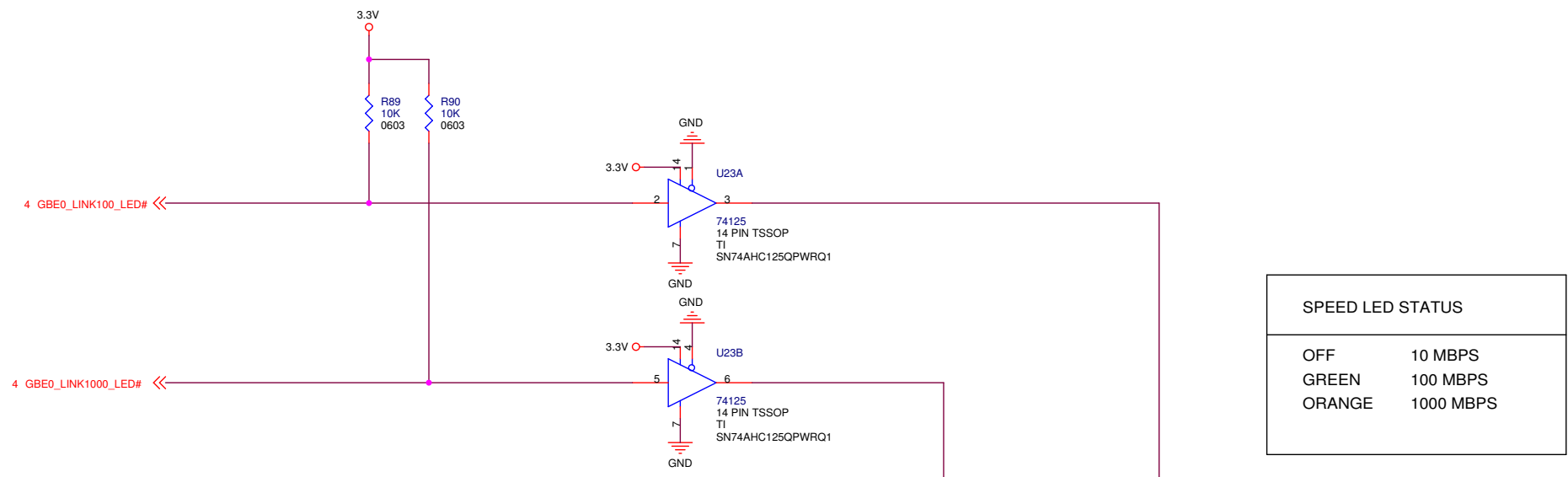




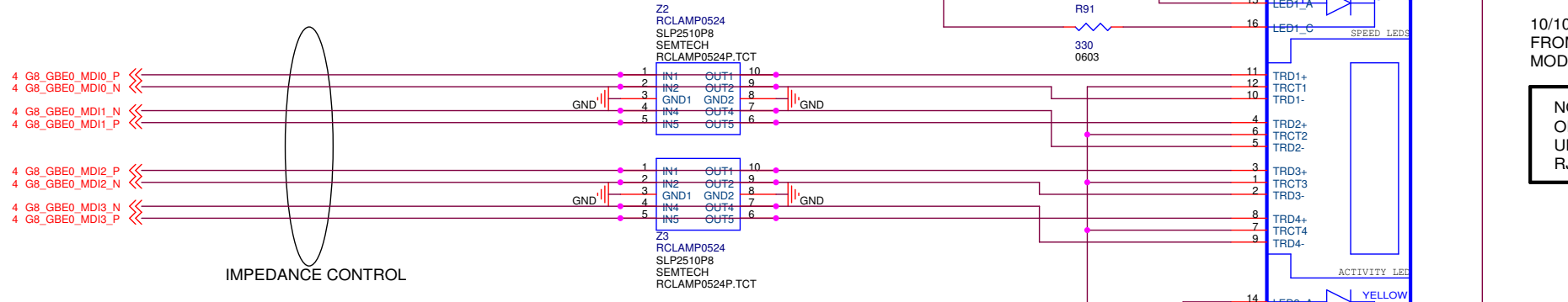
CABIN MANAGEMENT SOLUTIONS
 2971 HAWTHORNE DRIVE
 CONROE, TEXAS 77303
 936-523-1460
 936-523-1461 (FAX)

Title
A/V SWITCH CPU CARRIER BOARD

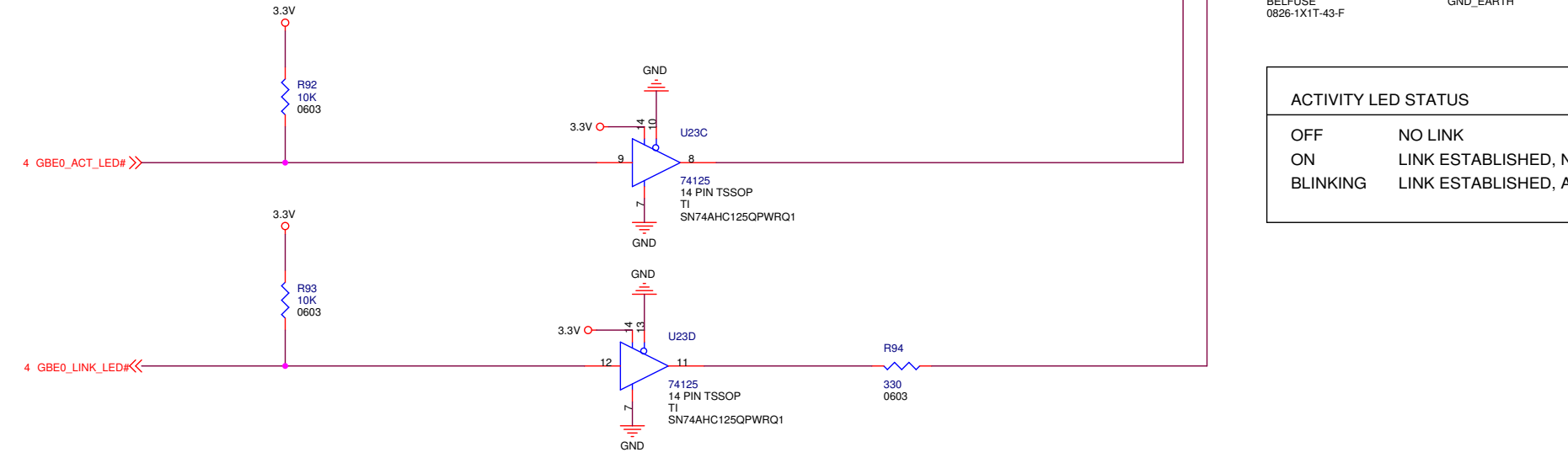
Size	Document Number	Rev
Custom	USB PORTS	A
Date:	Wednesday, March 04, 2020	Sheet 13 of 18



SPEED LED STATUS	
OFF	10 MBPS
GREEN	100 MBPS
ORANGE	1000 MBPS

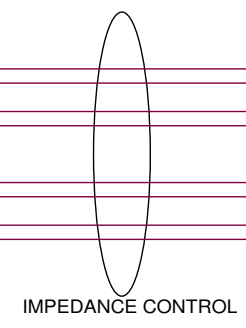


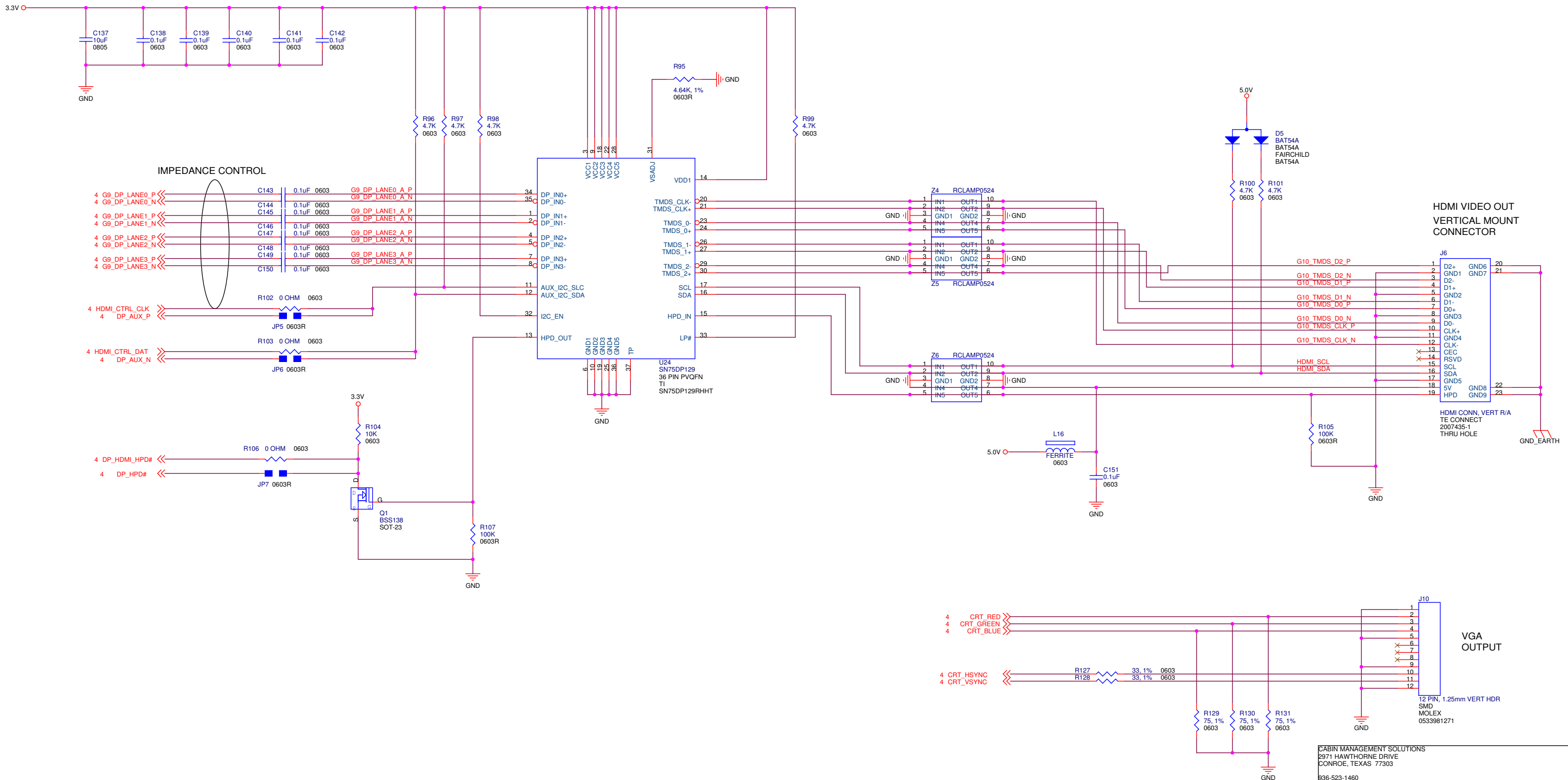
ACTIVITY LED STATUS	
OFF	NO LINK
ON	LINK ESTABLISHED, NO ACTIVITY
BLINKING	LINK ESTABLISHED, ACTIVITY DETECTED



10/100/1000 ETHERNET FROM QSEVEN MODULE

NO PLANES OR TRACES UNDER RJ-45





CABIN MANAGEMENT SOLUTIONS
 2971 HAWTHORNE DRIVE
 CONROE, TEXAS 77303
 936-523-1460
 936-523-1461 (FAX)

Title
A/V SWITCH CPU CARRIER BOARD

Size Custom Document Number
 HDMI OUTPUT

Date: Wednesday, March 04, 2020 Sheet 15 of 18 Rev A

