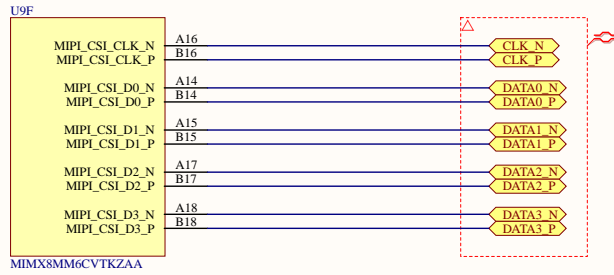
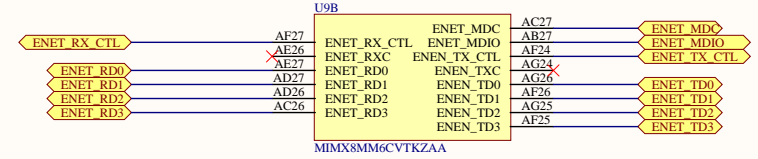


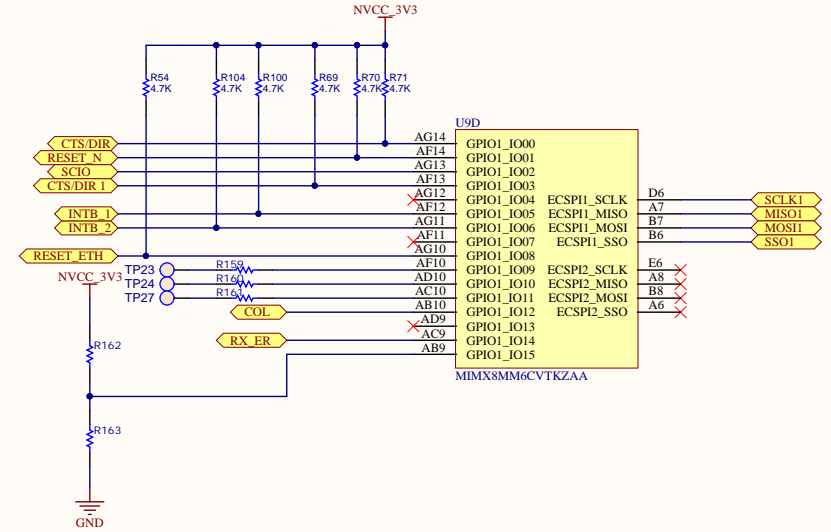
MIPI CSI



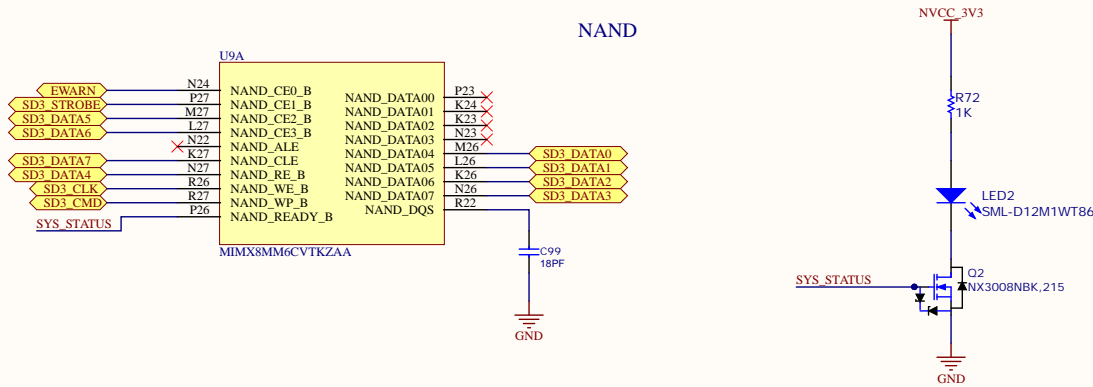
ENET



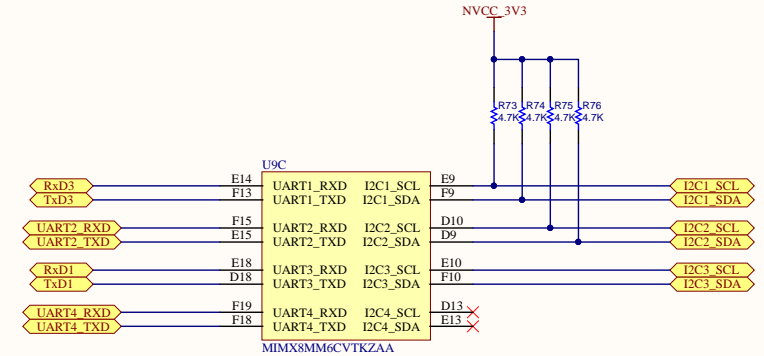
SPI & GPIO



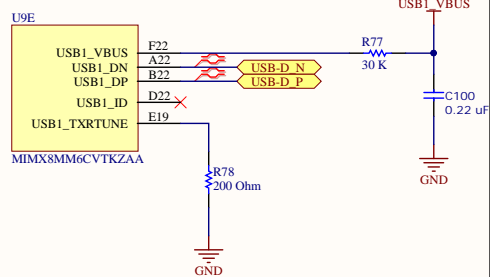
NAND



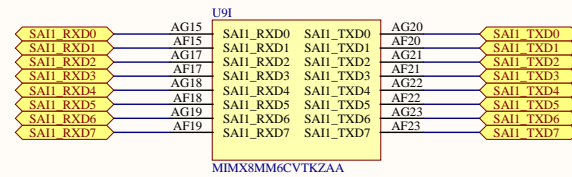
UART & I2C



USB

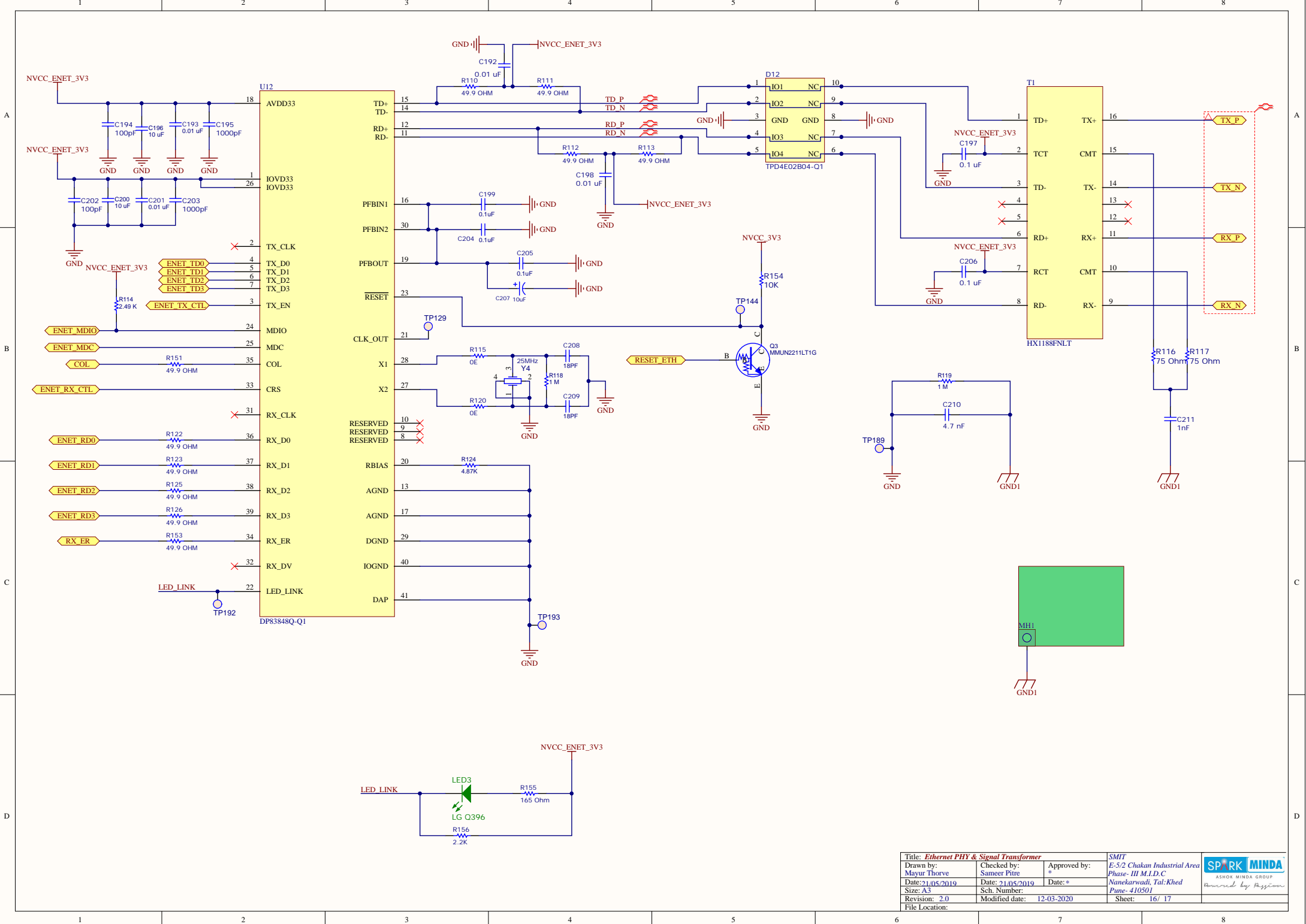


SAI



Title: i.MX8 Mini IO & PHY Interface			SMIT
Drawn by: Mayur Thorve	Checked by: Sameer Pitre	Approved by: *	E-5/2 Chakan Industrial Area Phase-III M.I.D.C
Date: 21/5/2019	Date: 21/5/2019	Date: *	Nanekarvadi, Tal: Khed Pune-410501
Size: A3	Sch. Number:	Modified date: 12-03-2020	Sheet: 13/ 17
Revision: 2.0	File Location:		





Title: Ethernet PHY & Signal Transformer			SMIT
Drawn by: Mayur Thorve	Checked by: Sameer Pitre	Approved by: *	E-5/2 Chakan Industrial Area
Date: 21/05/2019	Date: 21/05/2019	Date: *	Phase-III M.I.D.C
Size: A3	Sch. Number:	Modified date: 12-03-2020	Nanekarvadi, Tal: Khed
Revision: 2.0			Pune-410501
File Location:			Sheet: 16/ 17

