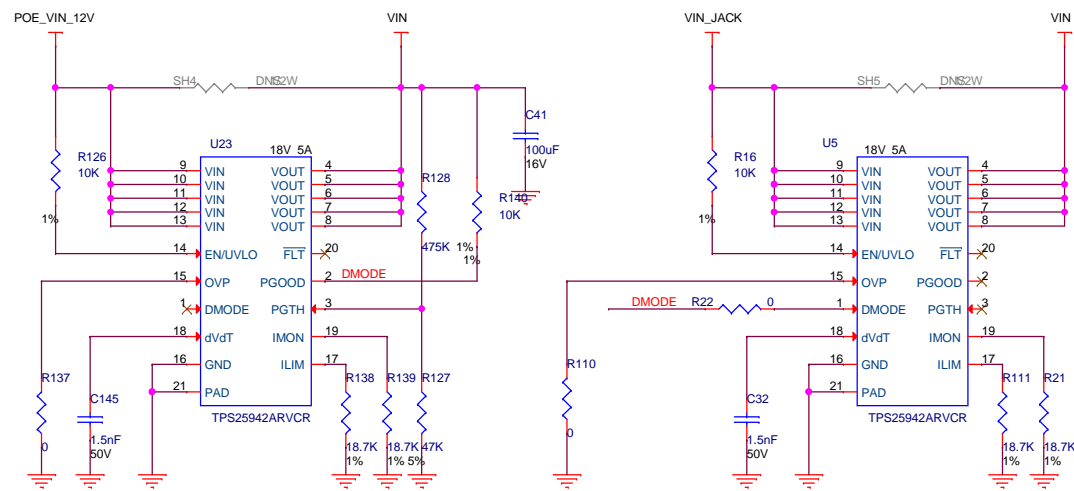
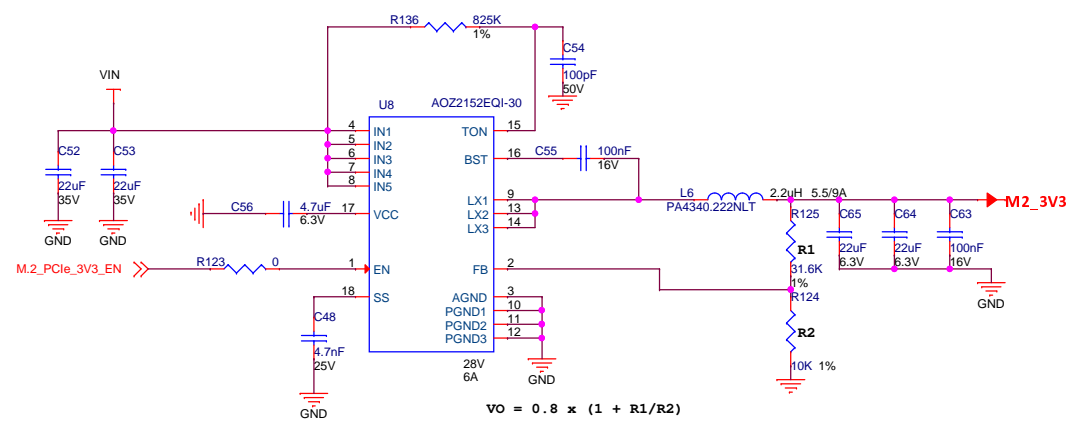


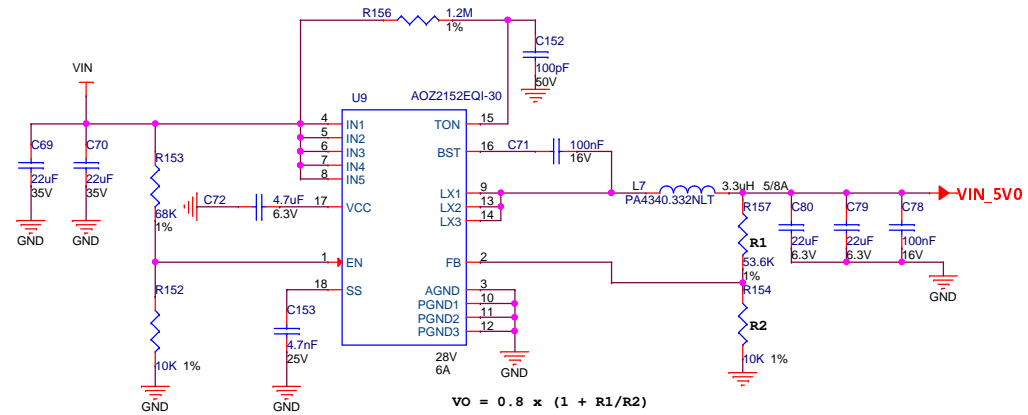
SH4, SH5 bypass U40 and U41 when Vin is a sigle source (Adapter or POE)



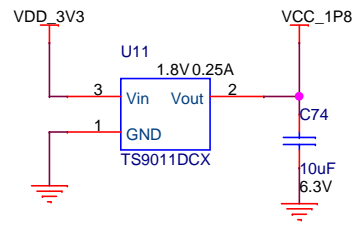
3V3/6A powers the M.2 and Mini-PCIe modules



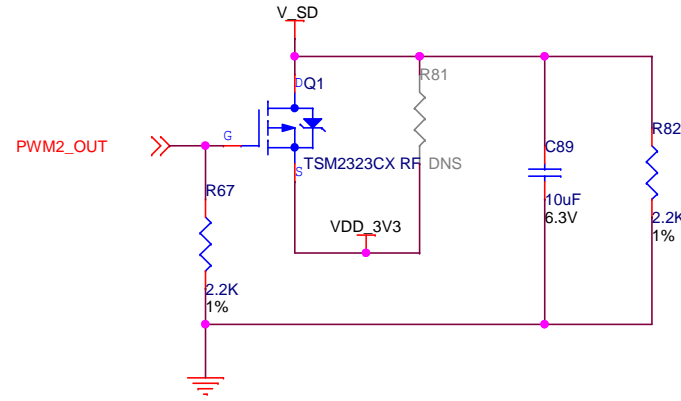
5V/6A powers the SOM and USB power out



SDIO 3.3v / 1.8v switch circuitry

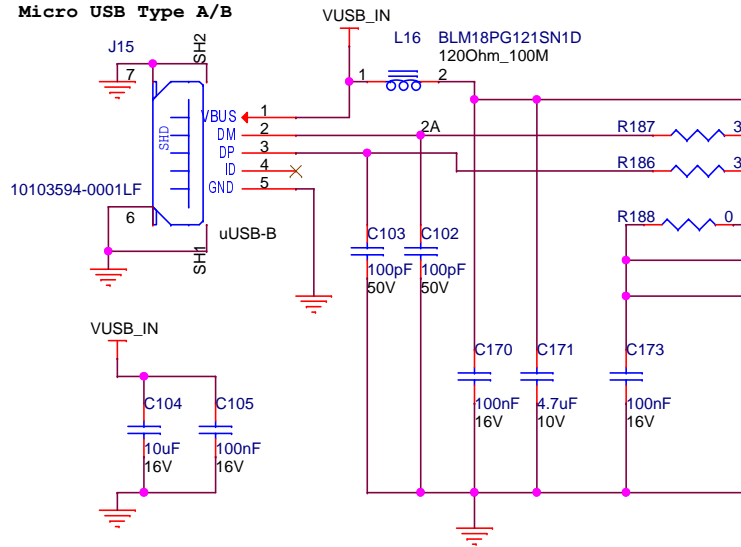


micro SD power on/off

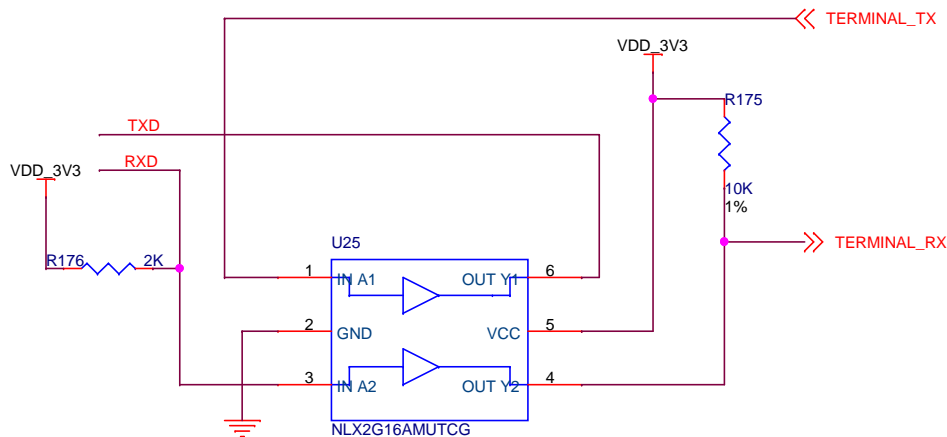
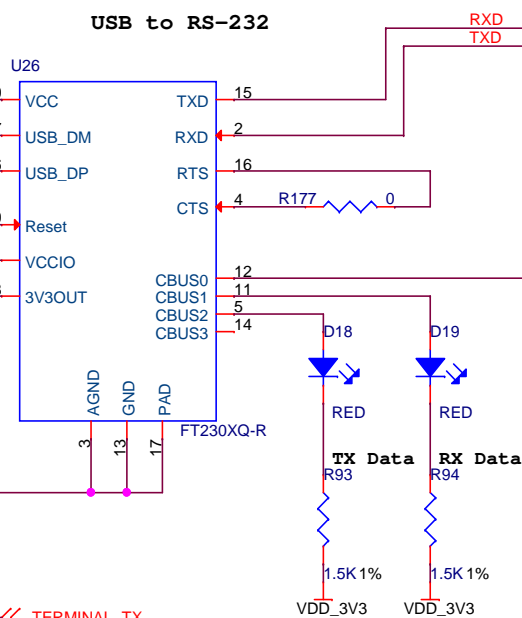


DEBUG/Control PORT

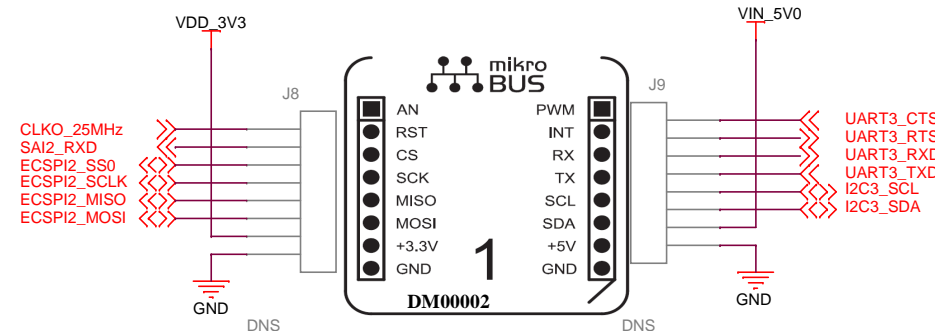
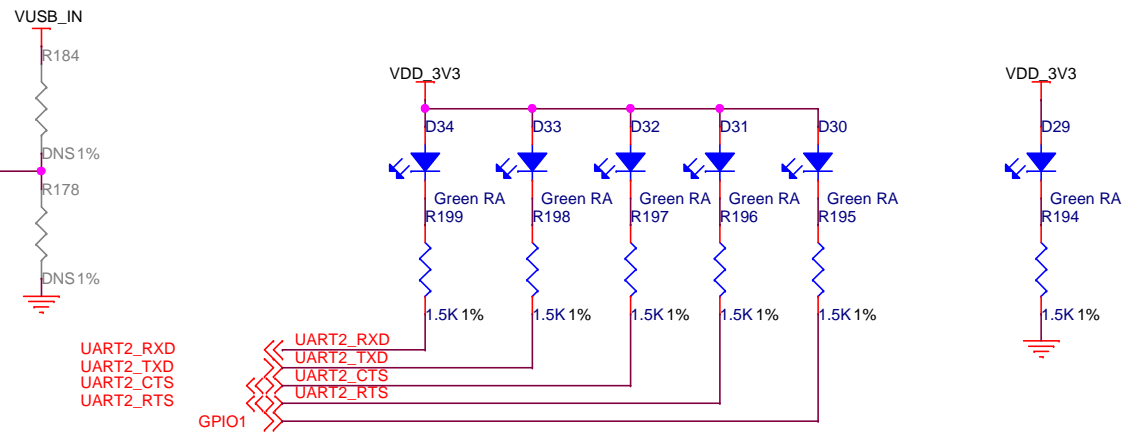
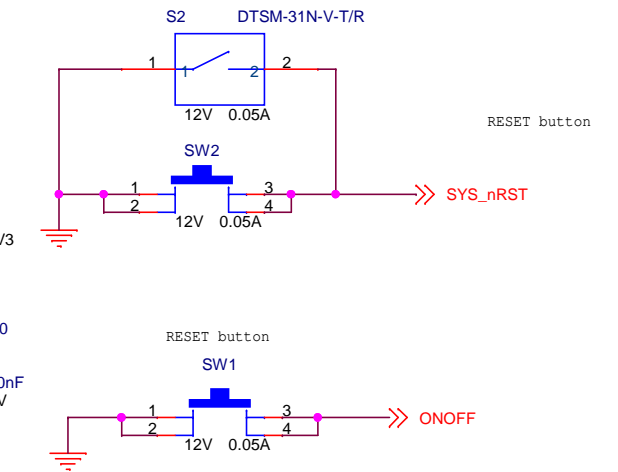
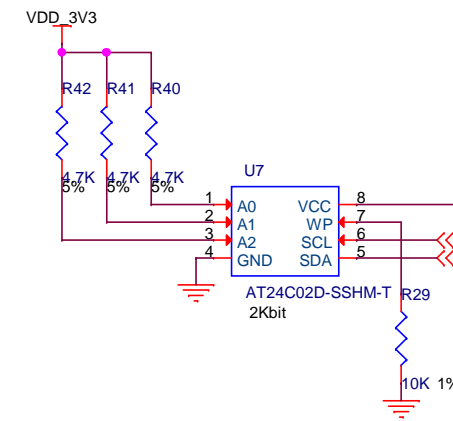
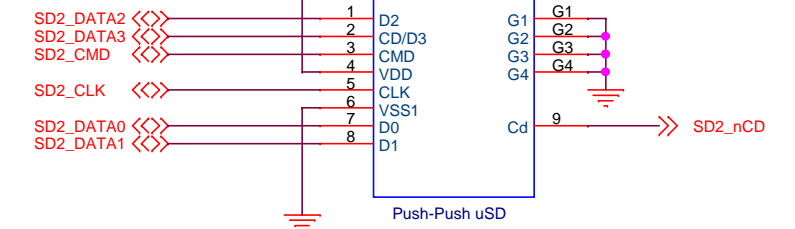
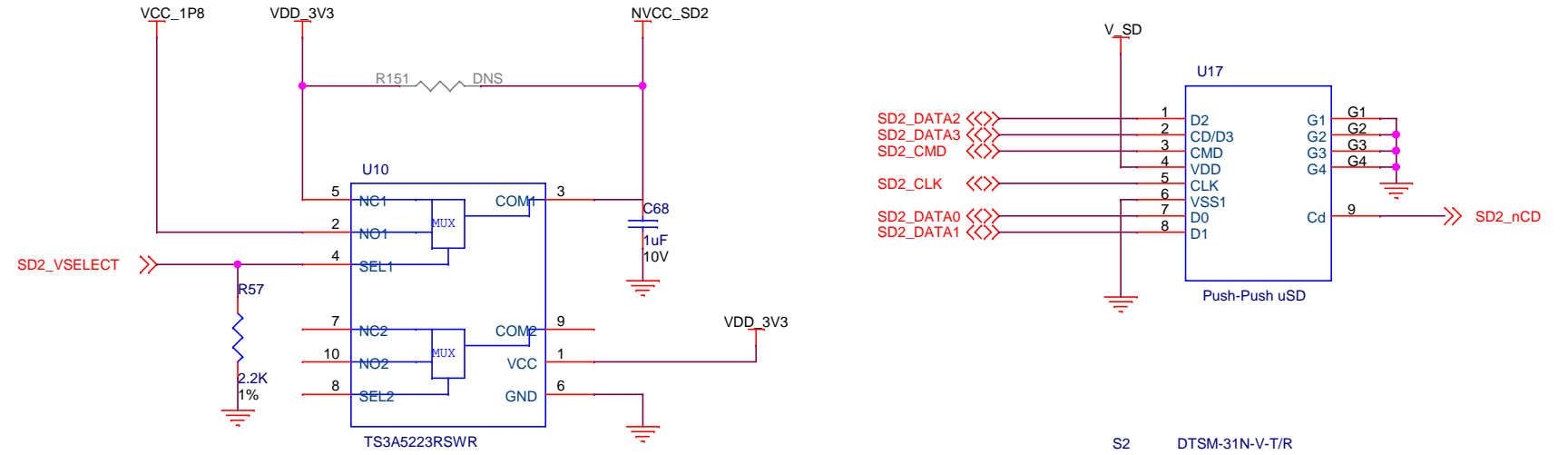
Micro USB Type A/B

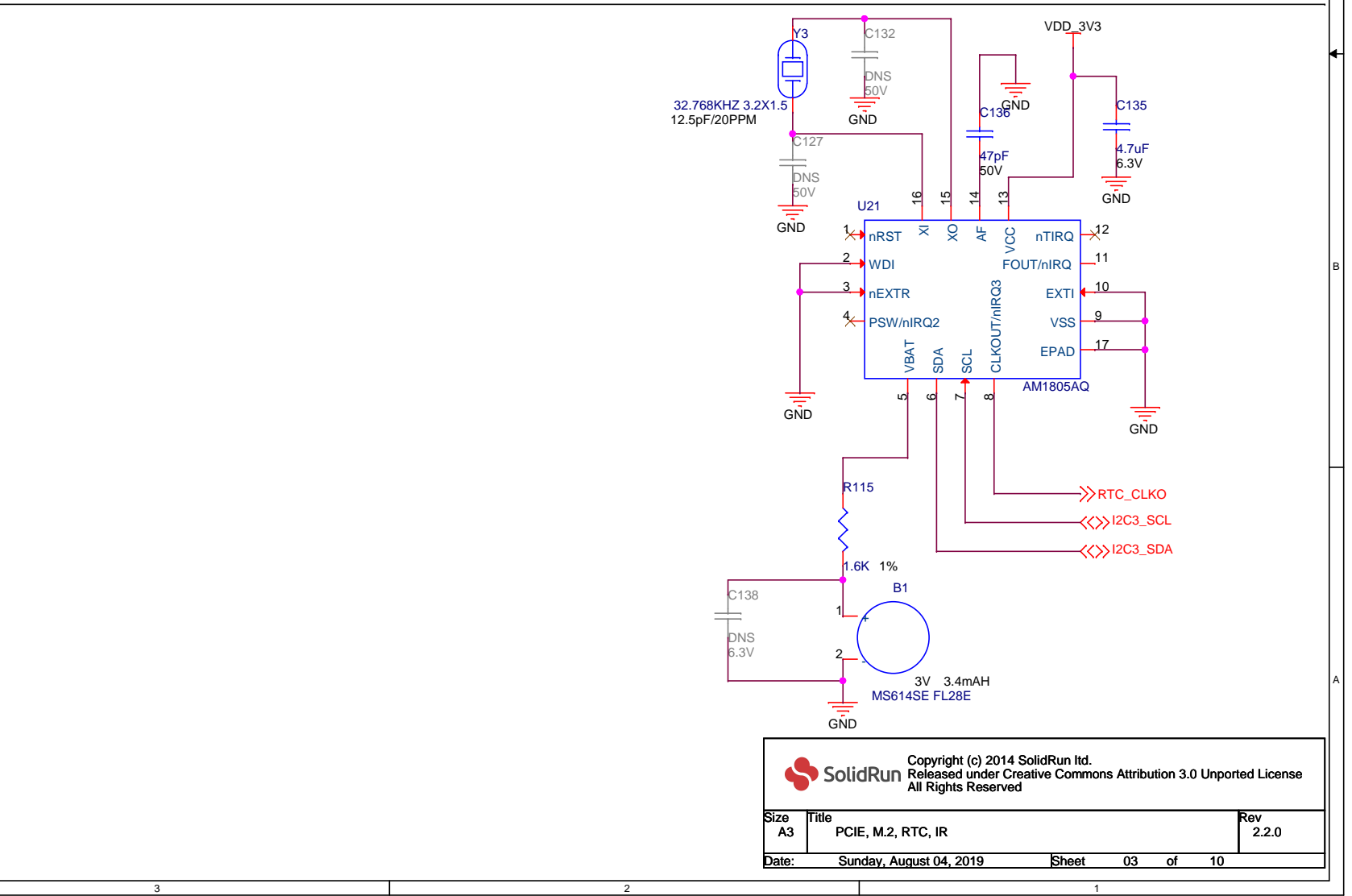
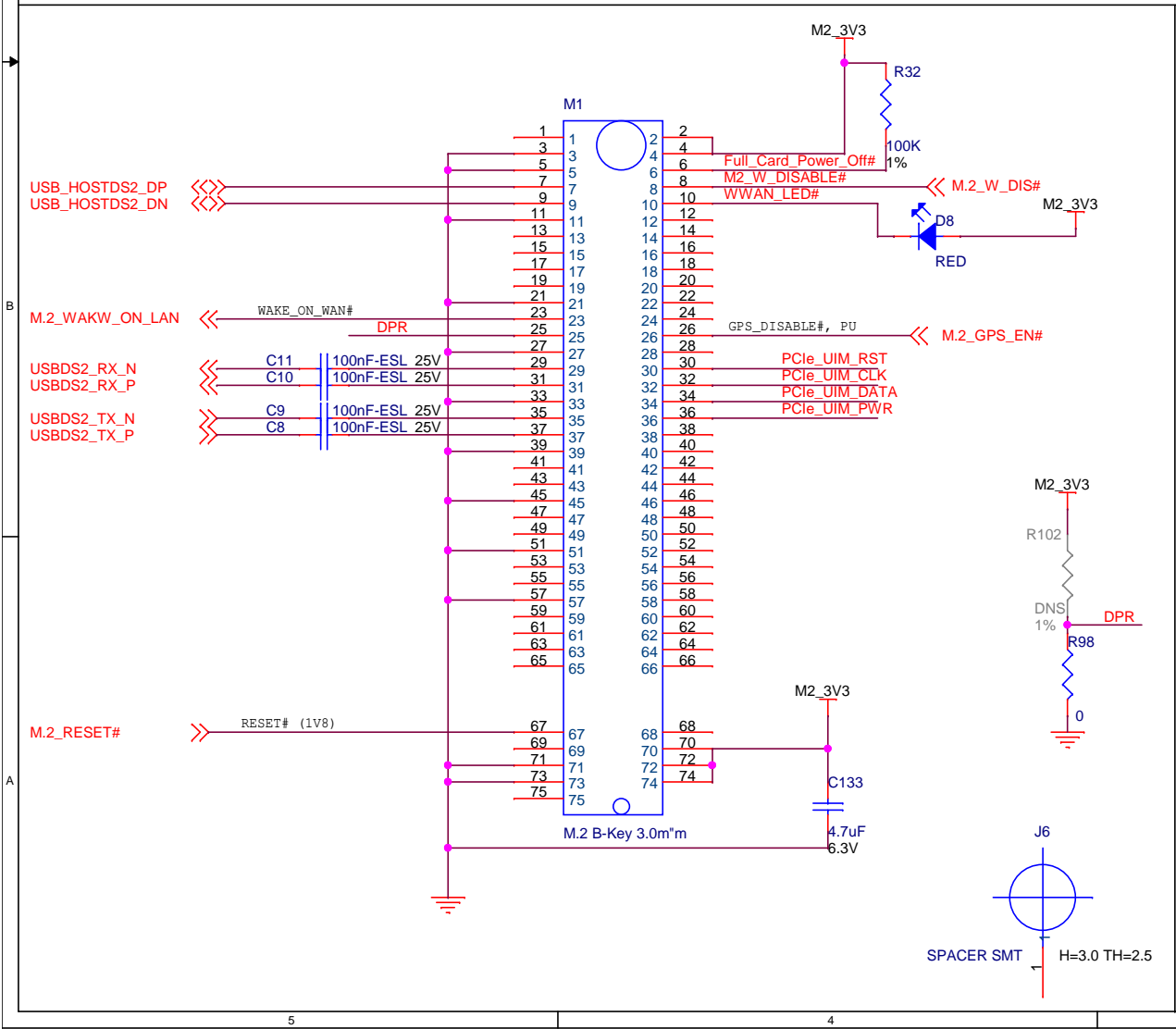
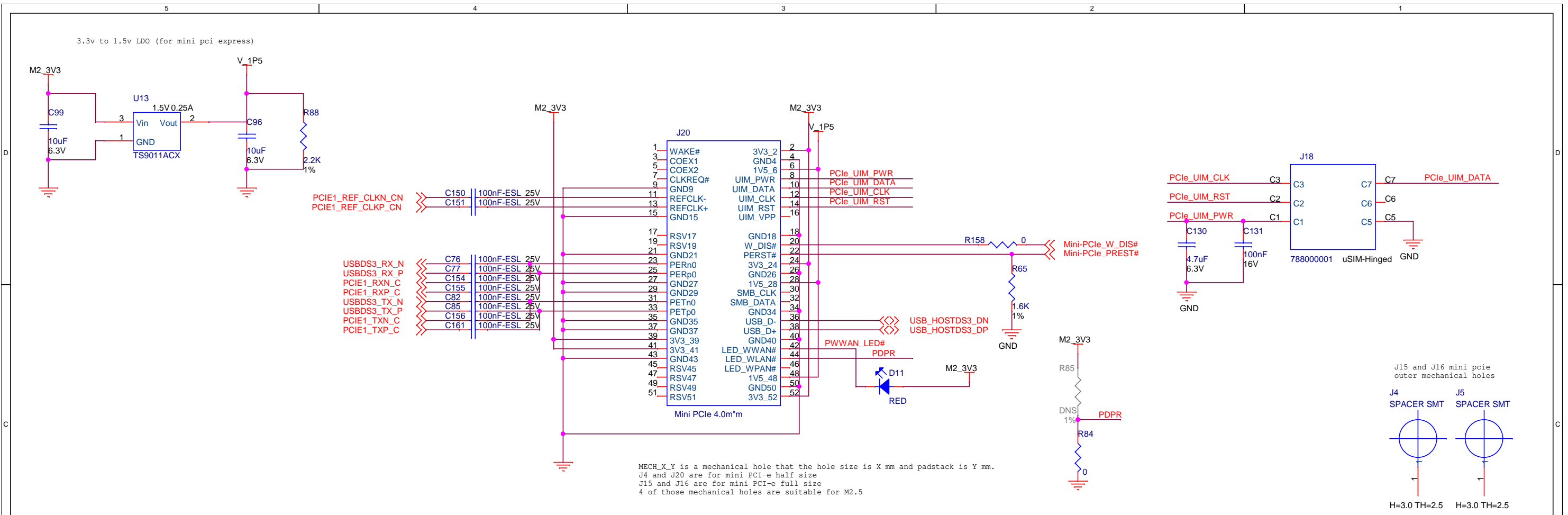


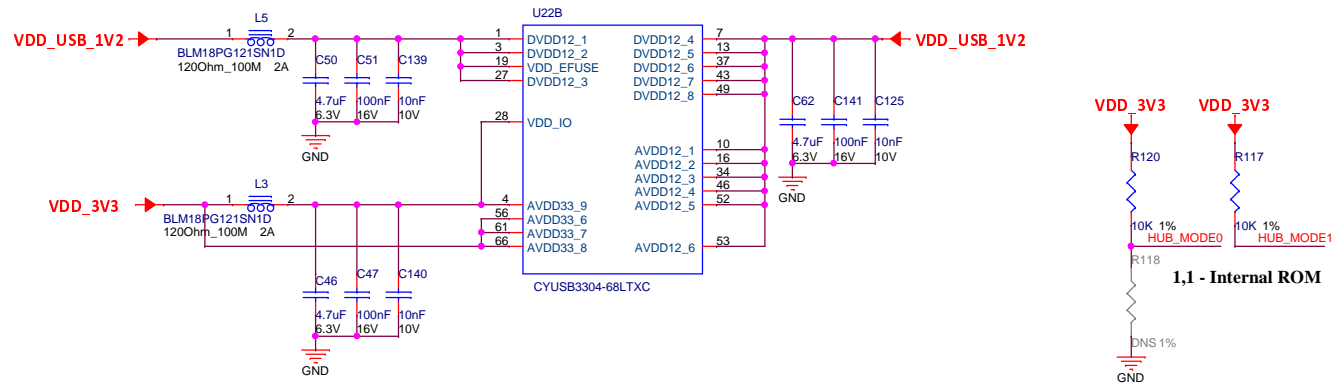
USB to RS-232



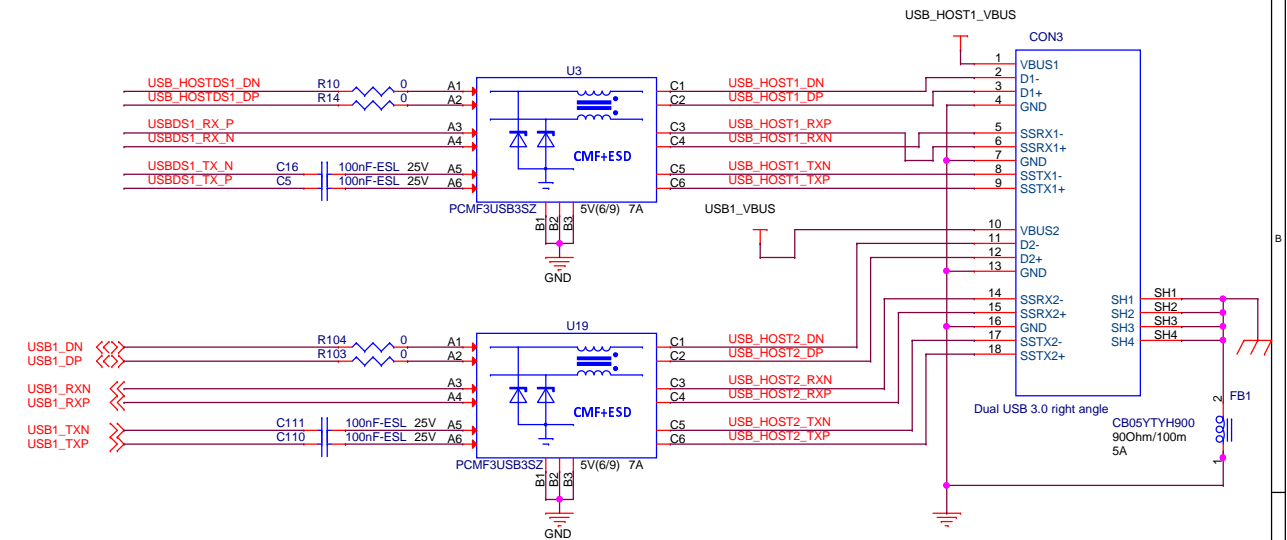
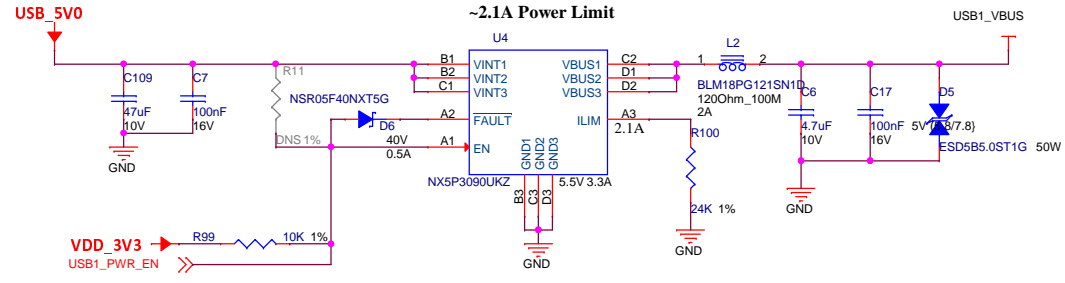
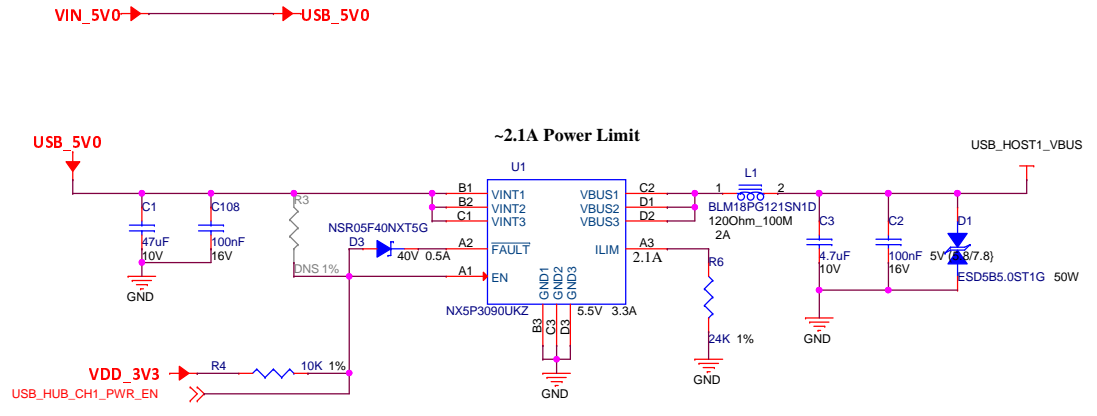
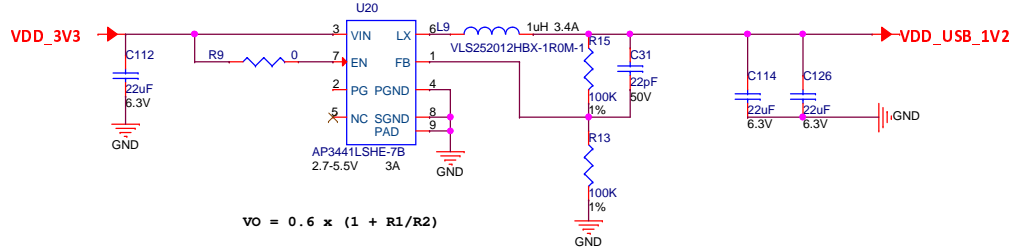
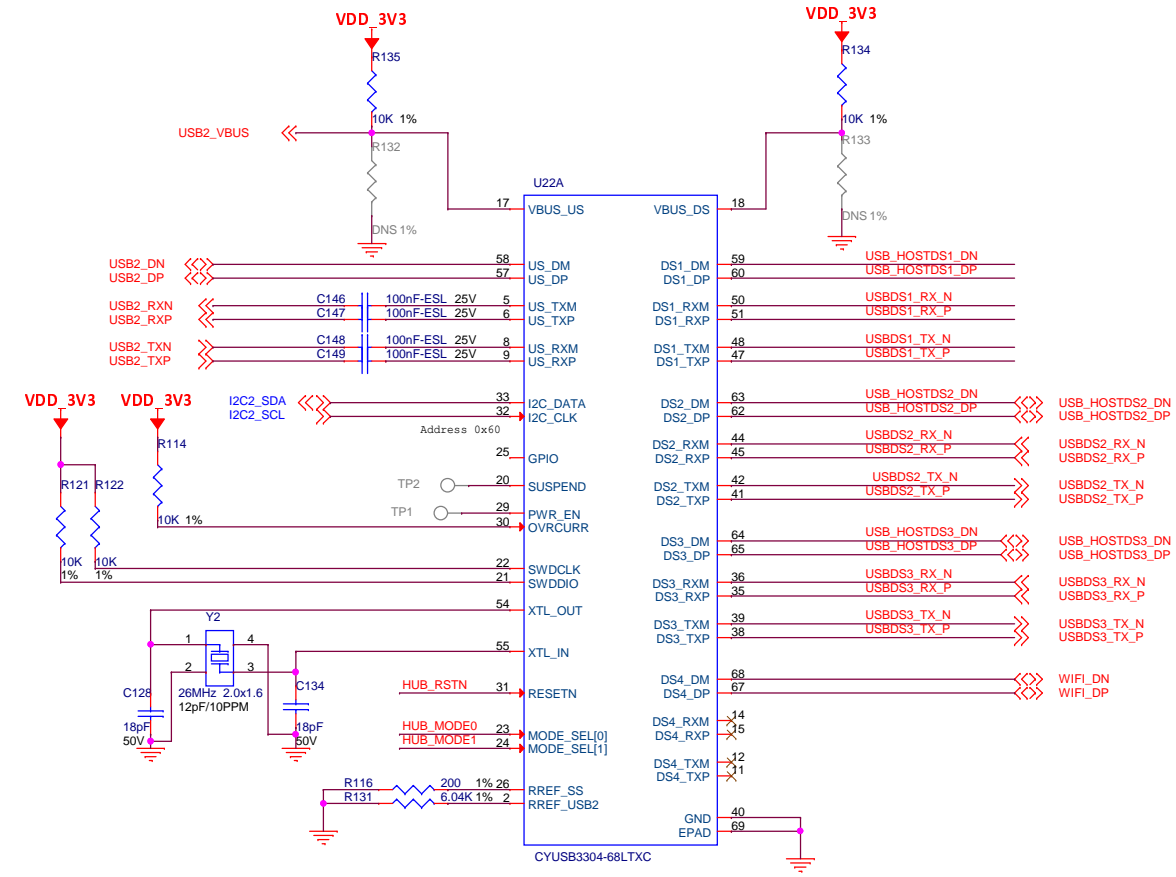
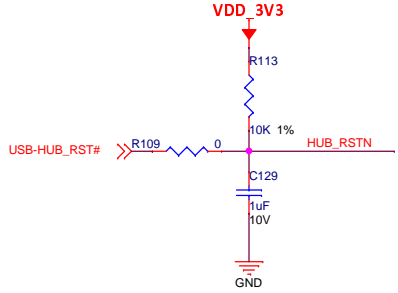
micro SD connectors (assembly option of push-push type and hinged type)

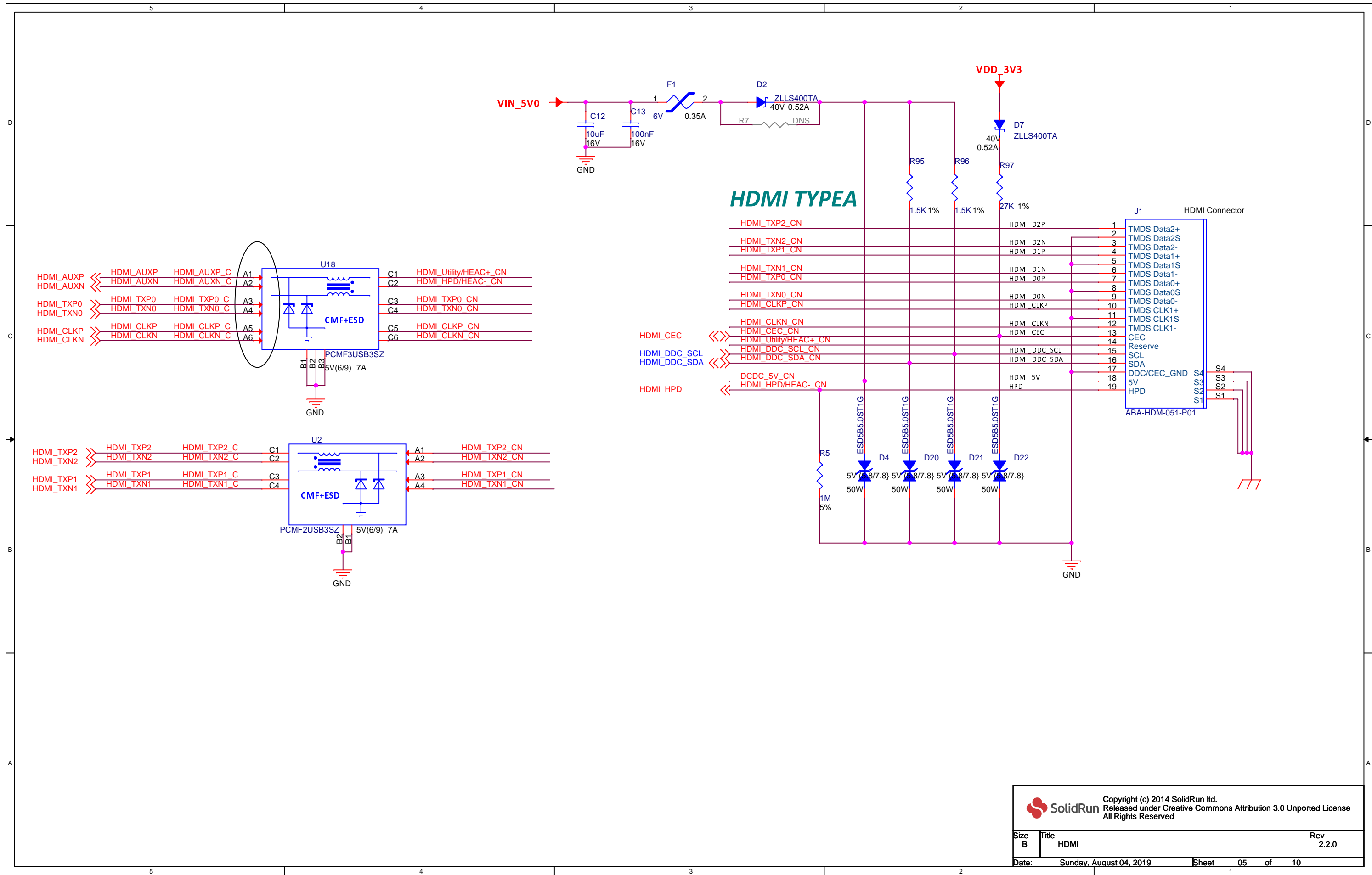




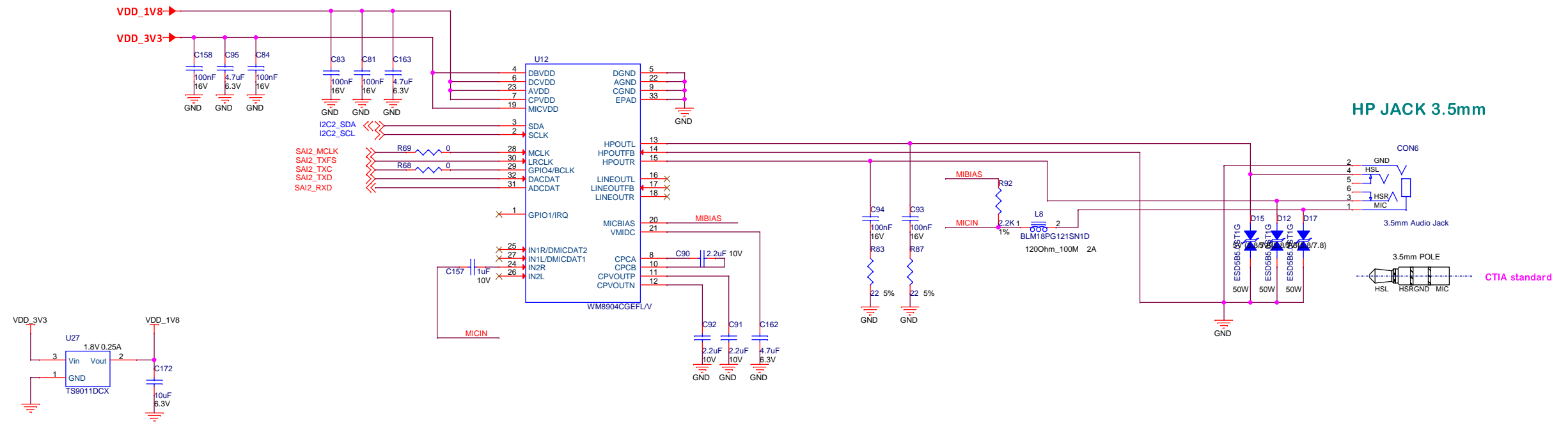


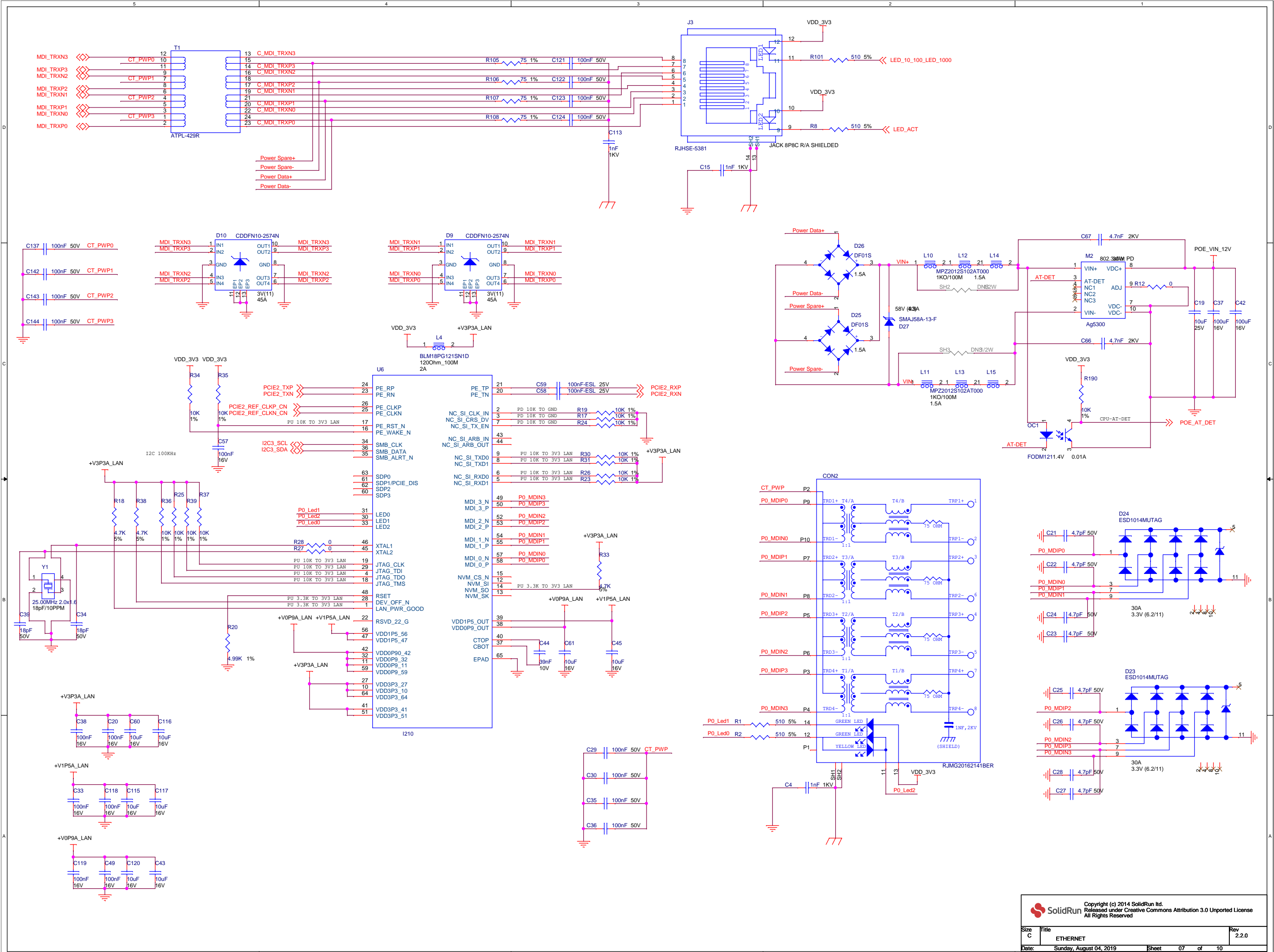
1,1 - Internal ROM

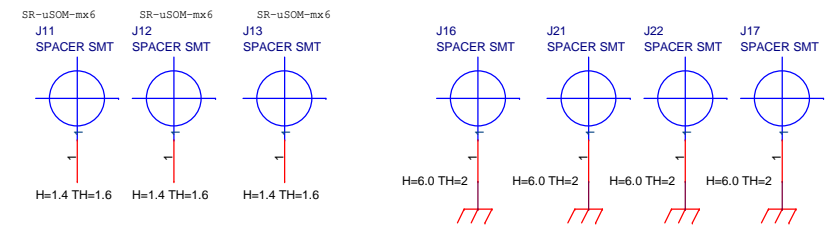
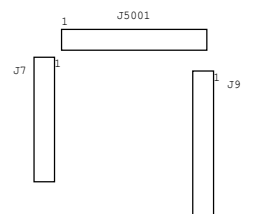
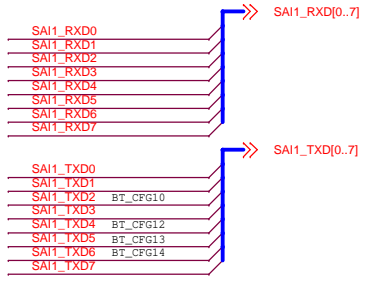
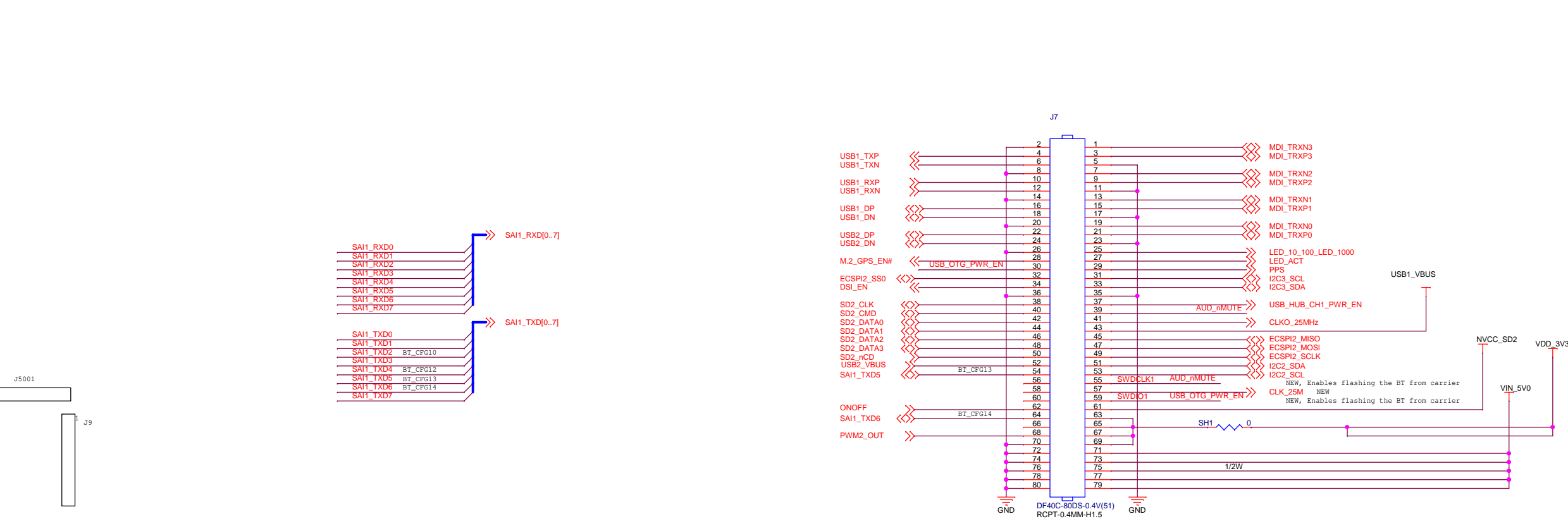
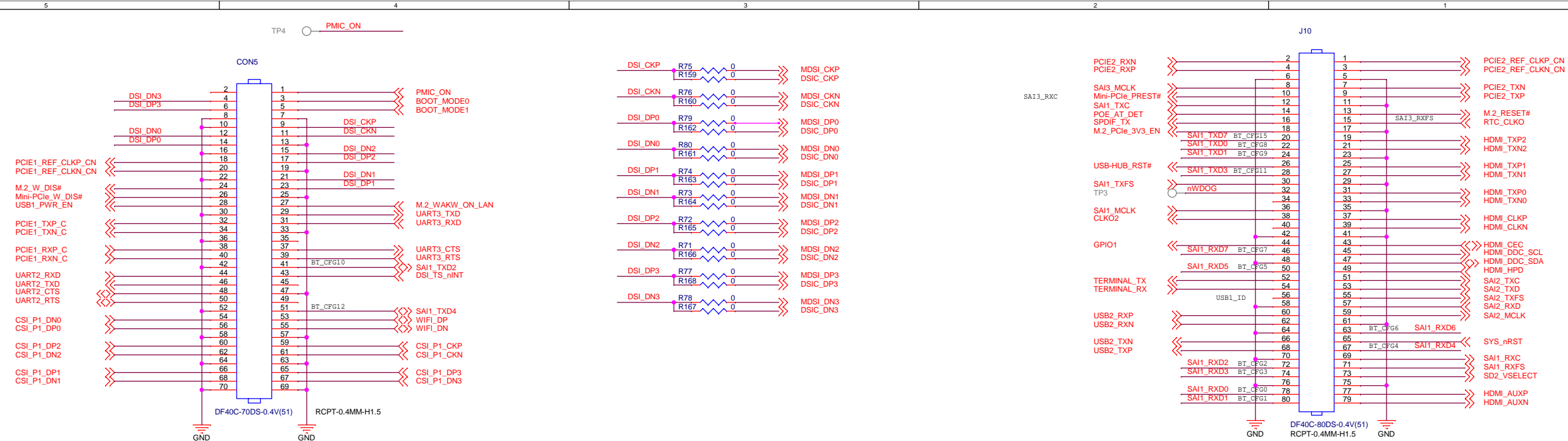




Audio DAC



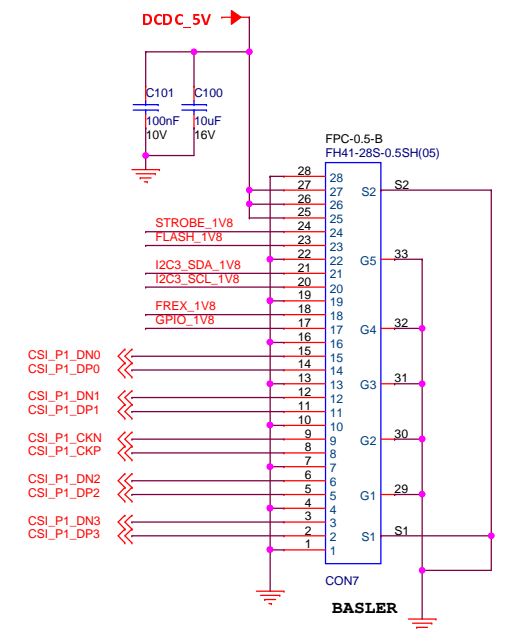
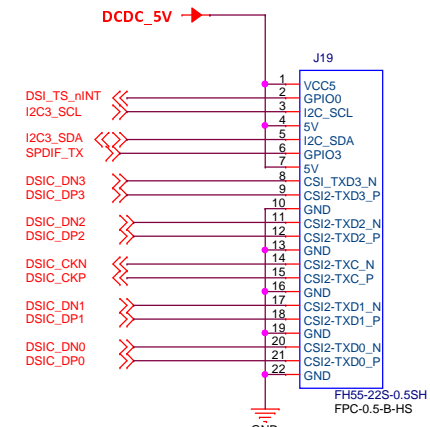
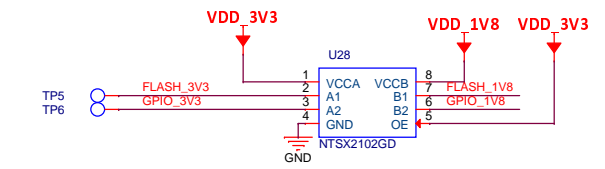
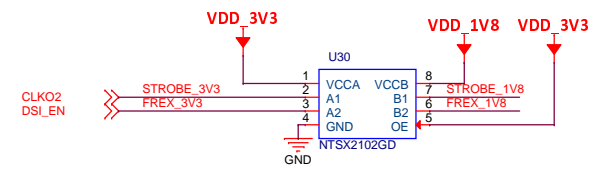
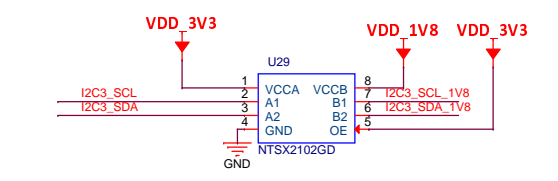
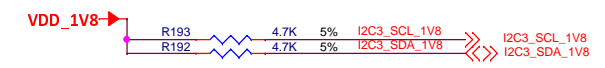
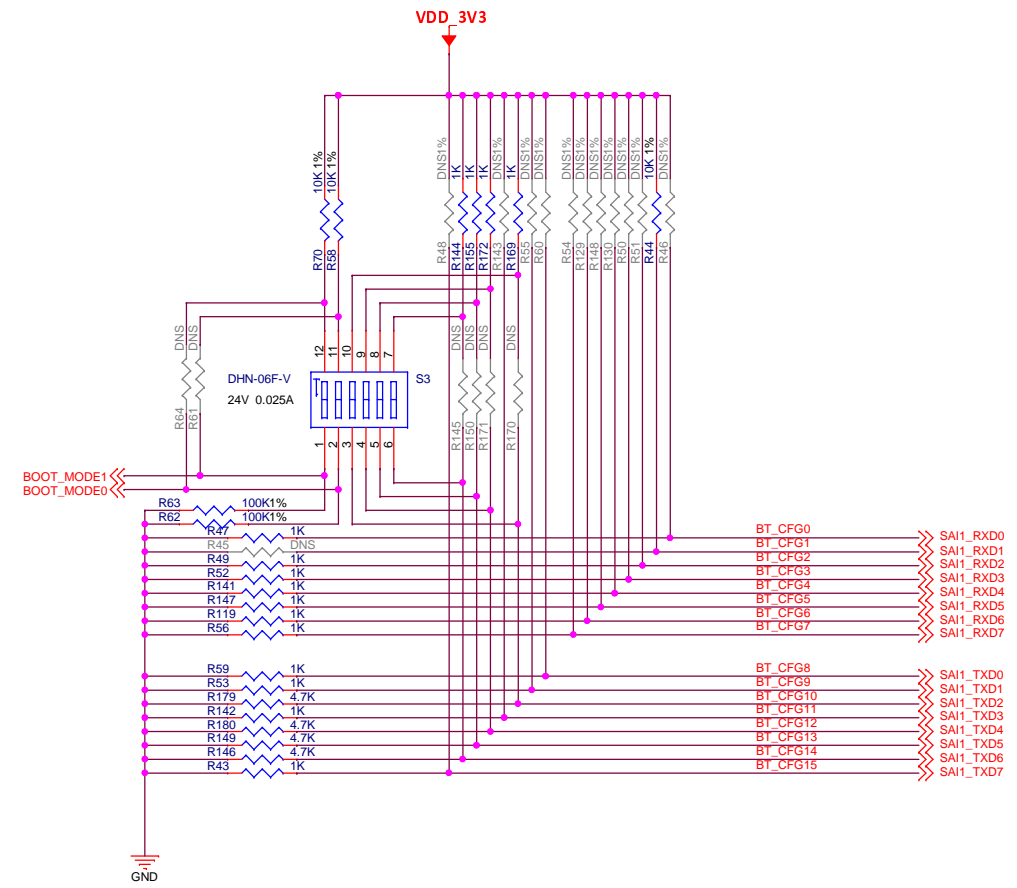
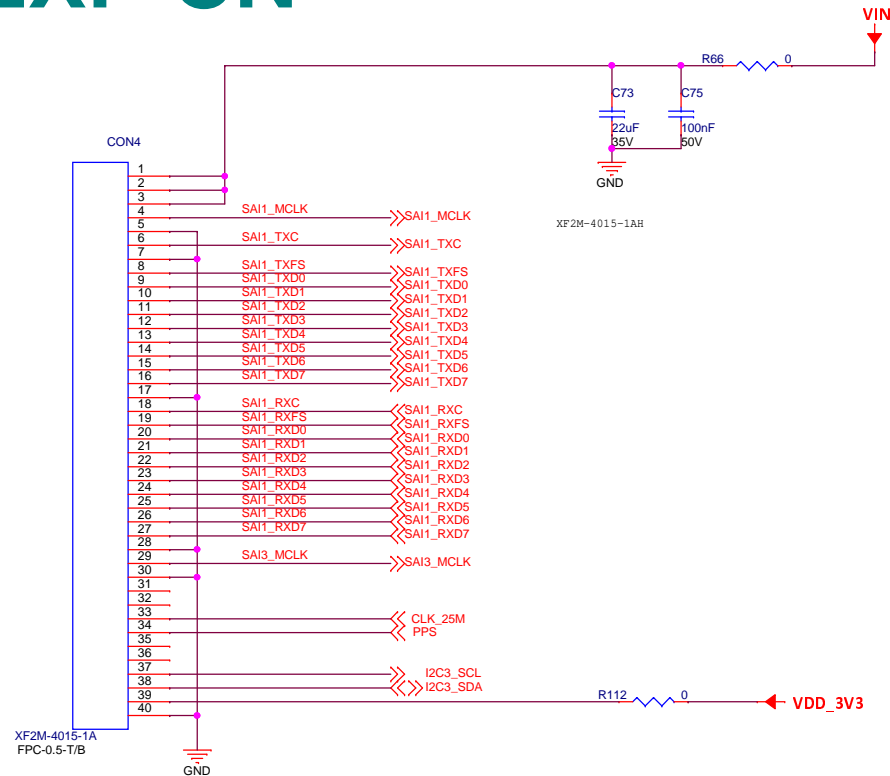


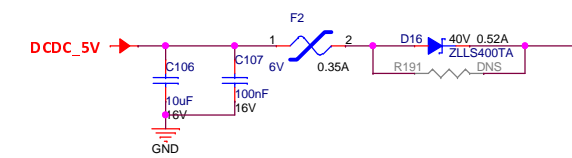
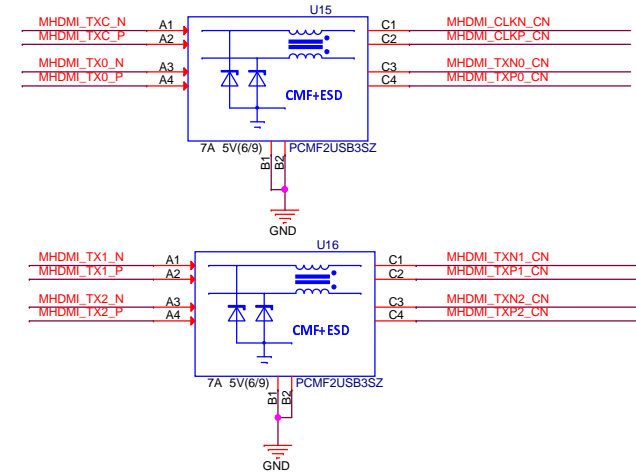
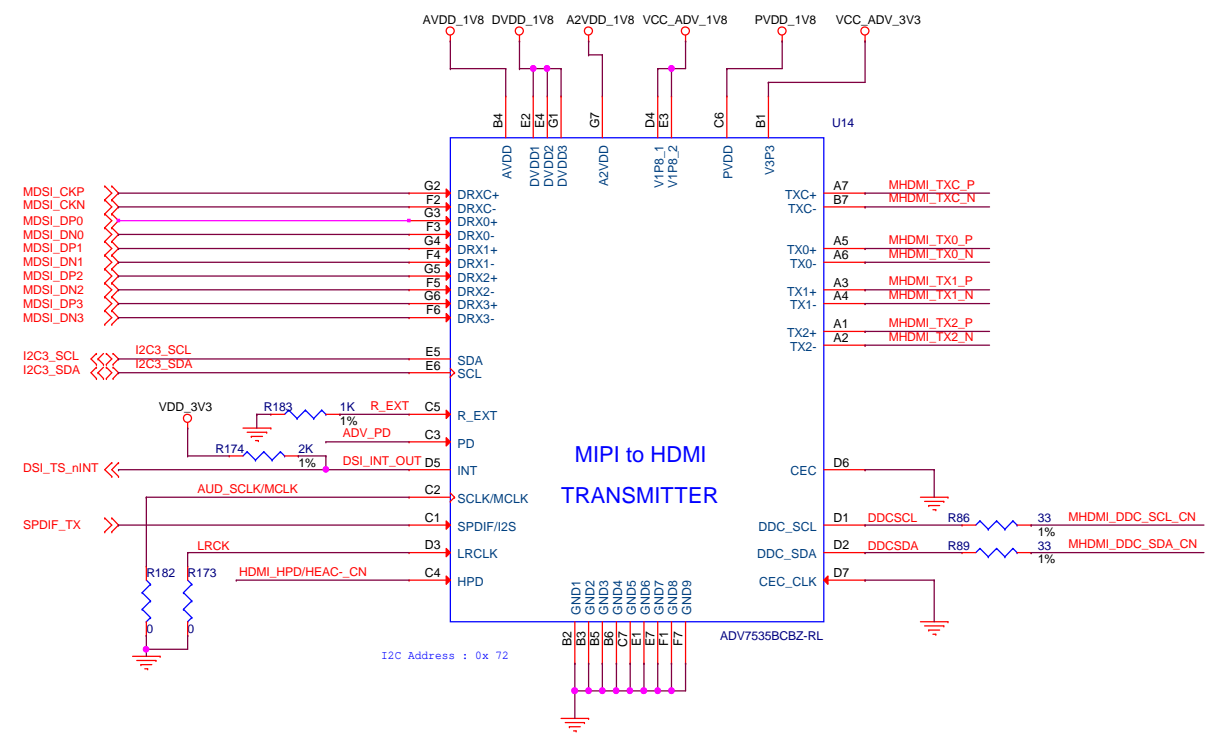


MECH_X_Y is a mechanical hole that the hole size is X mm and padstack is Y mm.
 J15, J16 and J17 are M2.5
 J18, J19 and J27 are M1.8
 J27 is a new mechanical hol for MicroSOM rev 1.4 and newer

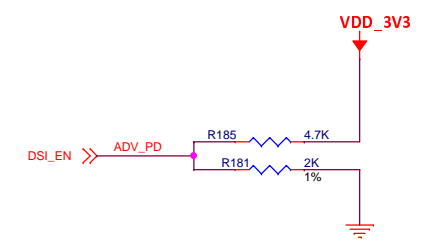
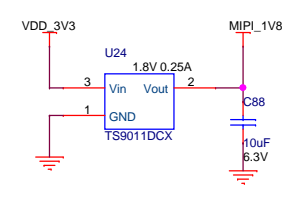
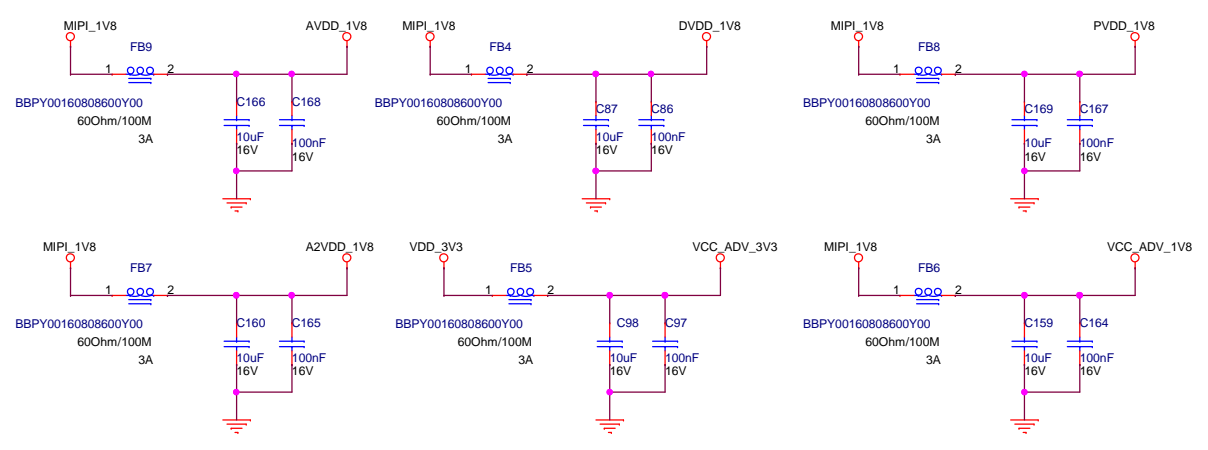
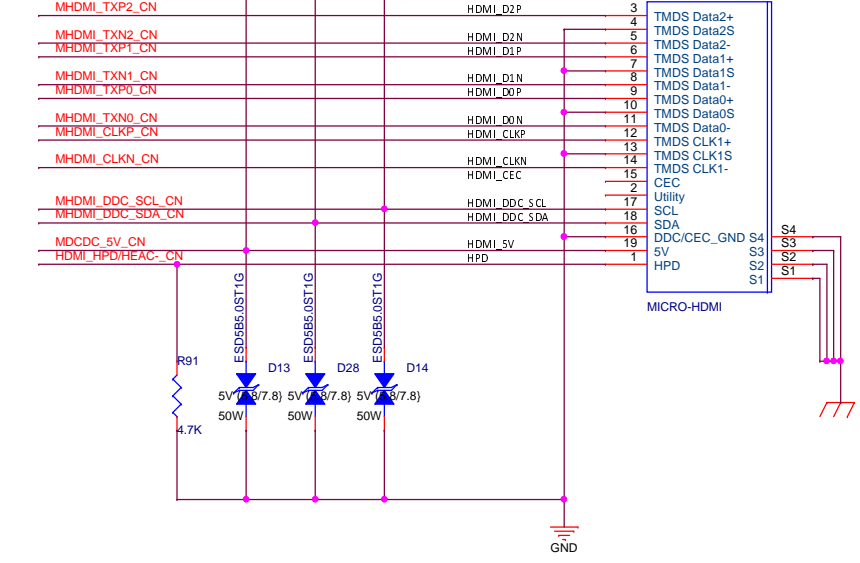
Copyright (c) 2014 SolidRun Ltd. Released under Creative Commons Attribution 3.0 Unported License All Rights Reserved		
Size C	Title B-T-B CONNECTORS	Rev 2.2.0
Date: Sunday, August 04, 2019	Sheet 08 of 10	

EXP CN






HDMI TYPEA



Rev. 1.0	Prototype Version
Rev. 2.0	<ol style="list-style-type: none"> 1. Change R257 from 0 Ohm to 100K 2. Adding C297 a 4.7uF on USB Debug 3. Change J35 Routing 4. R23 is assembled instead of R25 to support standalone USB HUB mode 5. Connecting VIN_5V0 to DCDC_5V 6. Changing the Power load switch to TPS25942A to support reverse power blocking 7. Changing J5001, J7 and J9 routing to support the new IMX-8 SOM 8. Change the Audio CODEC to WM8904 to support IN/OUT 9. Change Y4 from 27MHz to 25MHz
Rev. 2.1	<ol style="list-style-type: none"> 1. Adding R373 and R374 0 Ohm to pull OVP input down for U40 and U41. <p>Taking U37 and U38 out of the BOM and change revision to 2.1.3</p>
Rev. 2.2	New features product

 Copyright (c) 2014 SolidRun Ltd. Released under Creative Commons Attribution 3.0 Unported License All Rights Reserved		
Size A	Title HISTORY	Rev 2.2.0
Date: Sunday, August 04, 2019		Sheet 11 of 11