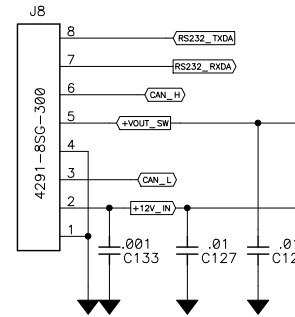
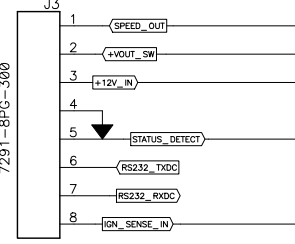


8 Pos MAIN
PWR IN/OUT
CAN
GPS IN/OUT



Large 8 pos Connector

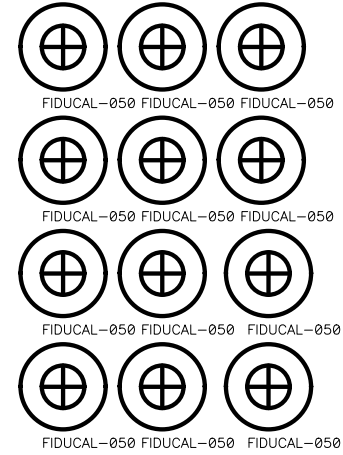
8 Pos AUX
PWR IN/OUT
Speed
Status In
AUX RS232



Small 8 pos Connector

POWER CONTROL

ON: Shorting Pwr button will apply power with Q17 or Ignition will apply power with Q12.
+3.3V_MOD will keep power on with Q11.
OFF: SOM and 8051 senses Pwr button with U30 or Ignition low on U39 to start shutdown and sleep. Power is turned off by a low at 8051_PWR_OFF or SOM_PWR_OFF.
Holding Pwr button for 5 sec will also remove power with Q16.

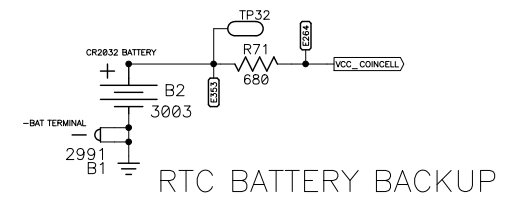
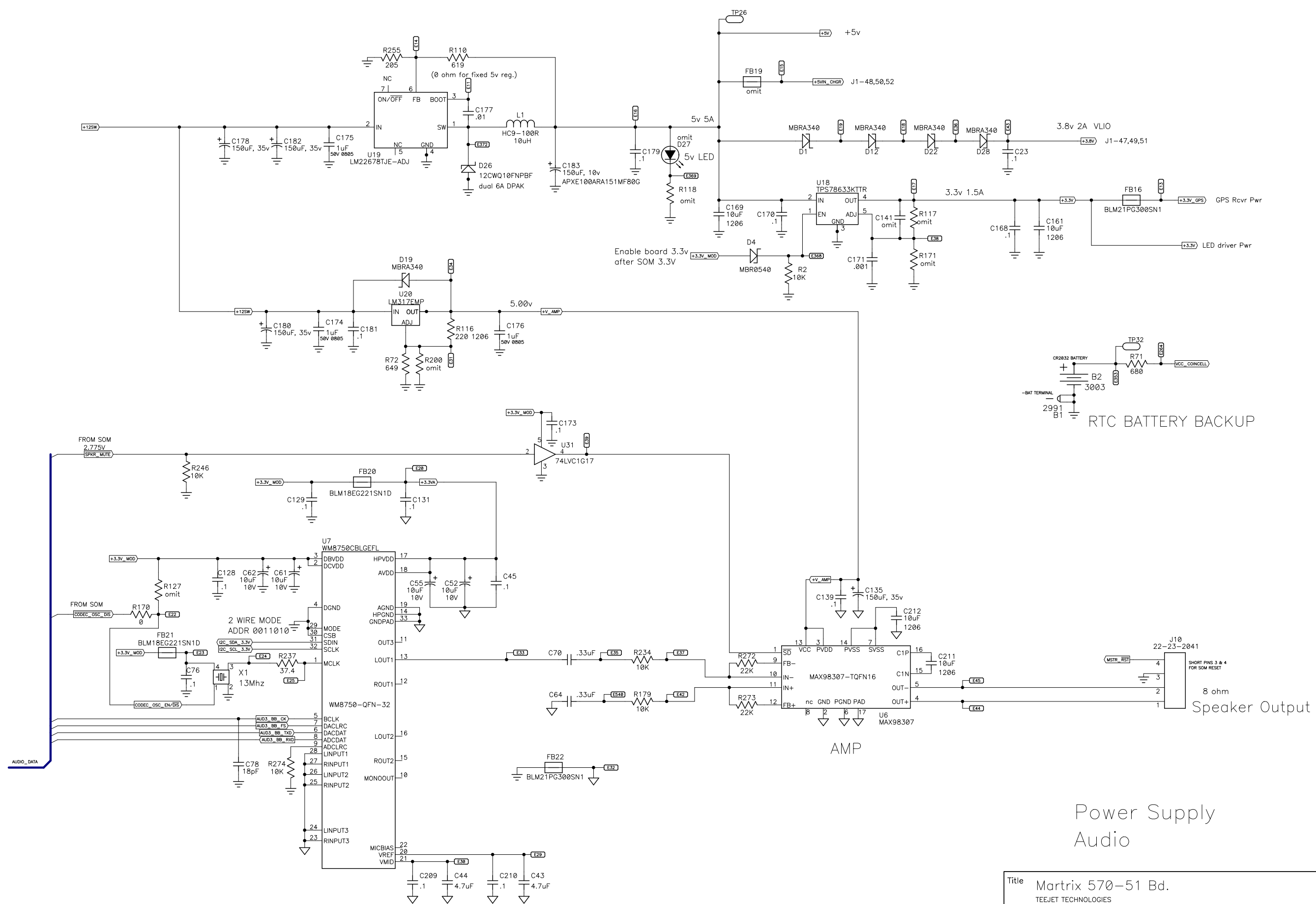


02-01-2011 Rev0
05-18-2011 Rev1 move C40,41 to back, Z5 to top
03-23-2018 Rev2 CODEC & Amp changes



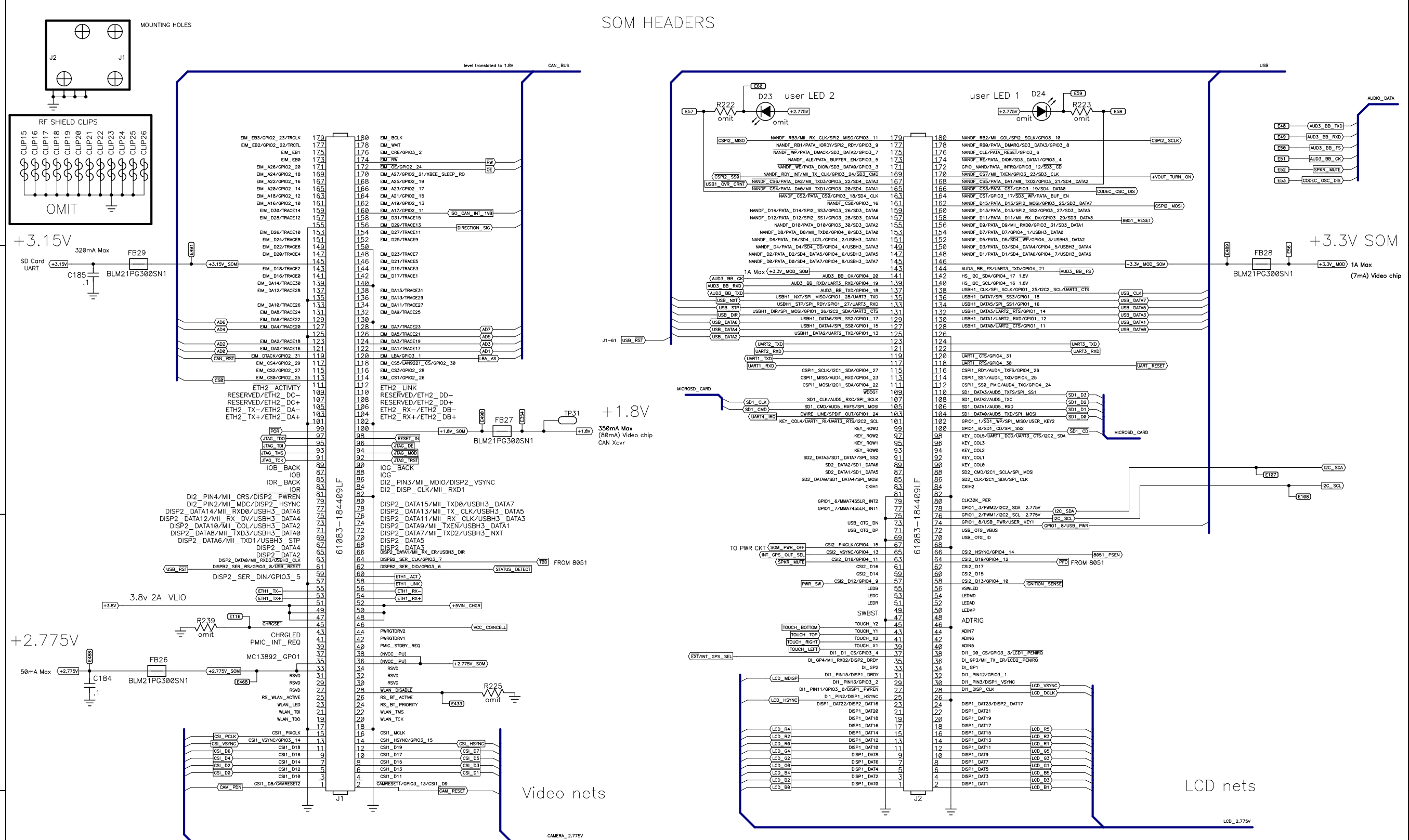
Power Input

Title Matrix 570-51 Bd.		
TEEJET TECHNOLOGIES		
Size C	Number 01-01170	Rev R2
Date Mar. 23, 2018	Drawn by JD	
Filename 01-01170.sch	Sheet 1 of 9	

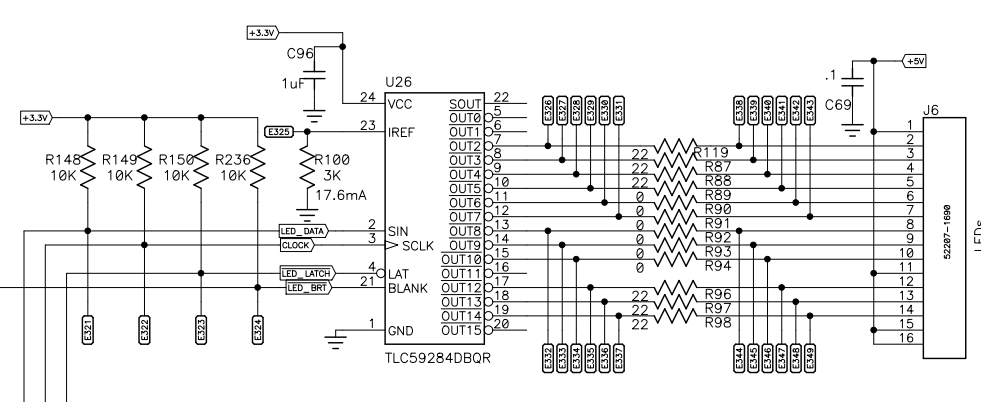
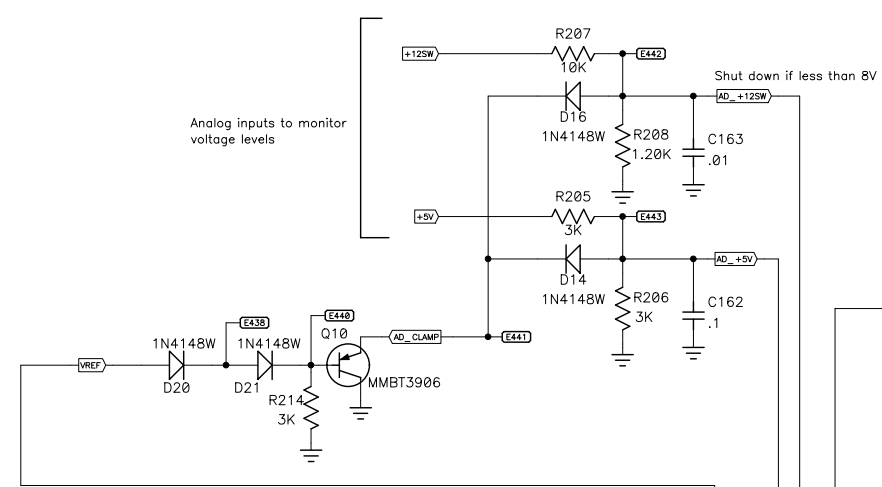


Power Supply
Audio

Title Maratrix 570-51 Bd. TEEJET TECHNOLOGIES		
Size C	Number 01-01170	Rev R2
Date Mar. 23, 2018	Drawn by JD	
Filename 01-01170.sch	Sheet 2 of 9	



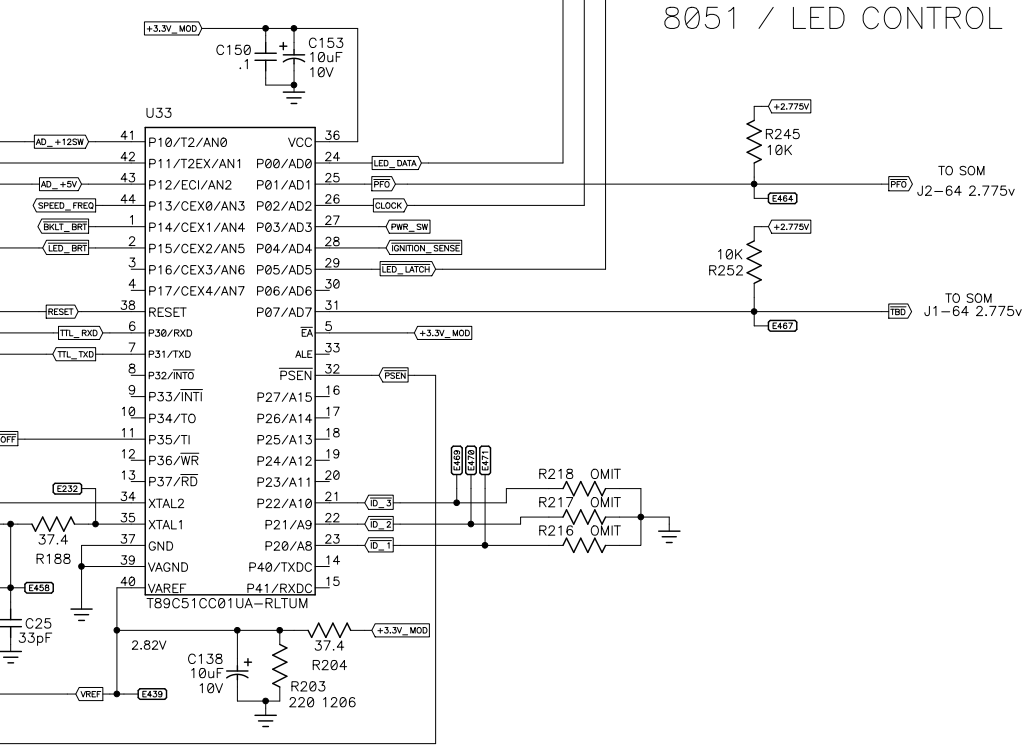
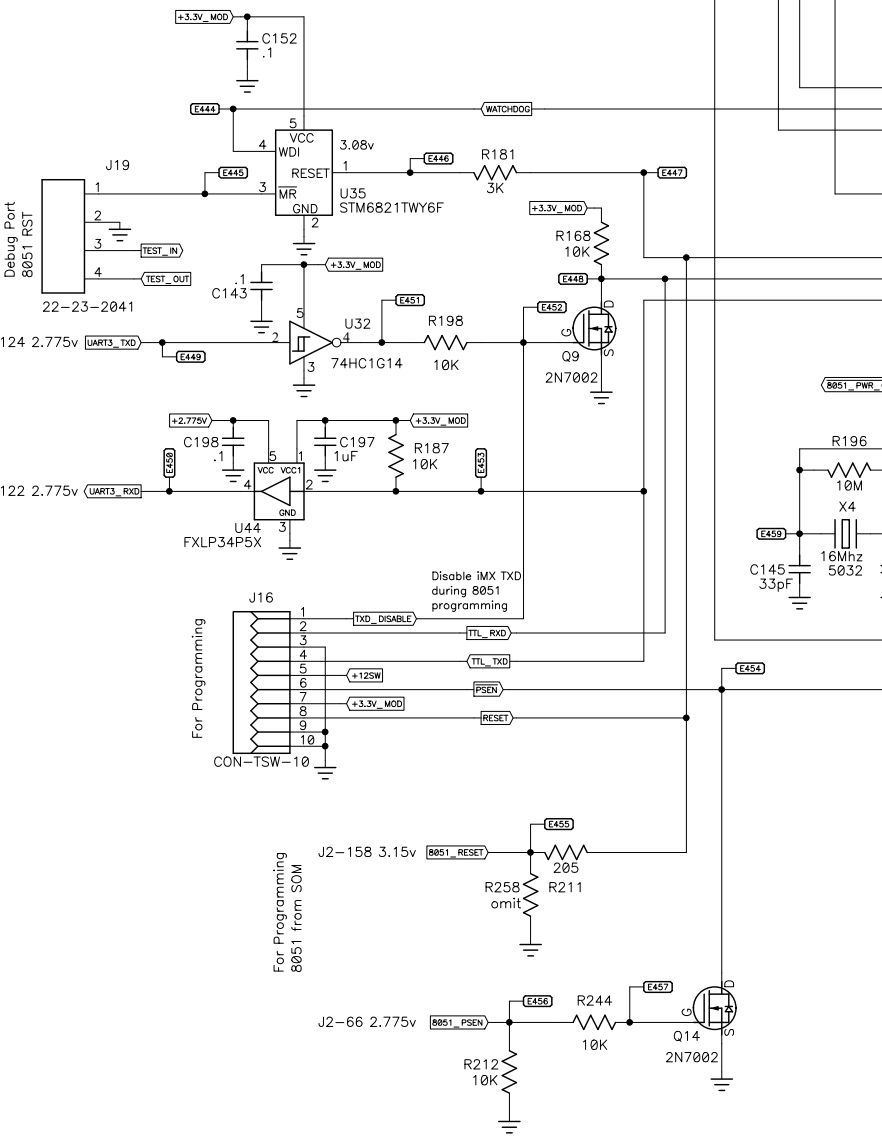
Title Maratrix 570-51 Bd.			
TEEJET TECHNOLOGIES			
Size C	Number 01-01170	Rev R2	
Date Mar. 23, 2018	Drawn by JD		
Filename 01-01170.sch	Sheet 3 of 9		



LED Membrane

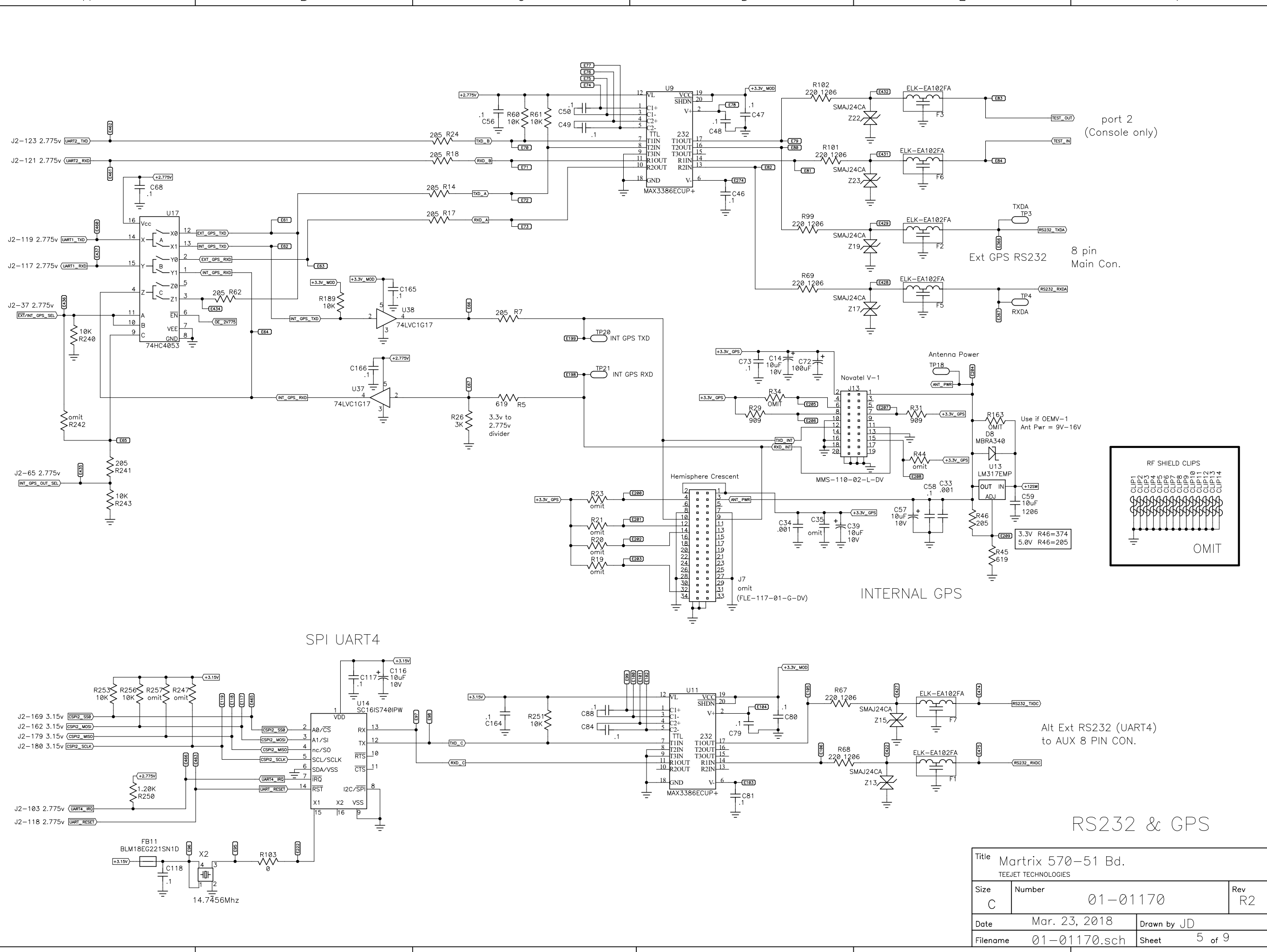
PIN 1	+5V
PIN 2	RED
PIN 3	YEL
PIN 4	YEL
PIN 5	GRN
PIN 6	GRN
PIN 7	BLU
PIN 8	GRN
PIN 9	GRN
PIN 10	GRN
PIN 11	YEL
PIN 12	YEL
PIN 13	YEL
PIN 14	RED
PIN 15	RED
PIN 16	

Teetje # 84-82119



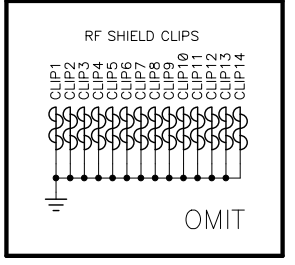
8051
Lightbar

Title Martrix 570-51 Bd. TEEJET TECHNOLOGIES		
Size C	Number 01-01170	Rev R2
Date Mar. 23, 2018	Drawn by JD	
Filename 01-01170.sch	Sheet 4 of 9	



port 2
(Console only)

Ext GPS RS232
8 pin
Main Con.



INTERNAL GPS

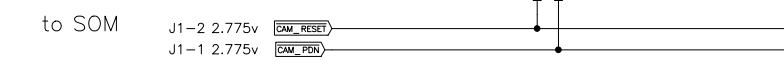
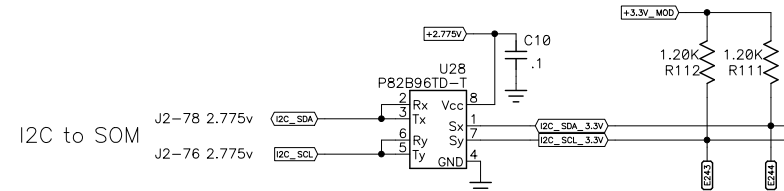
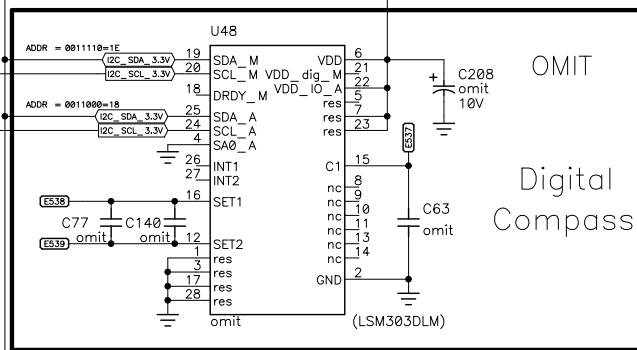
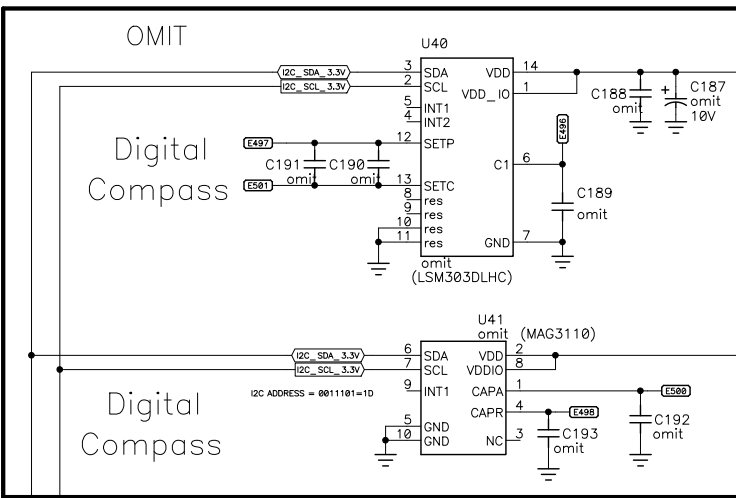
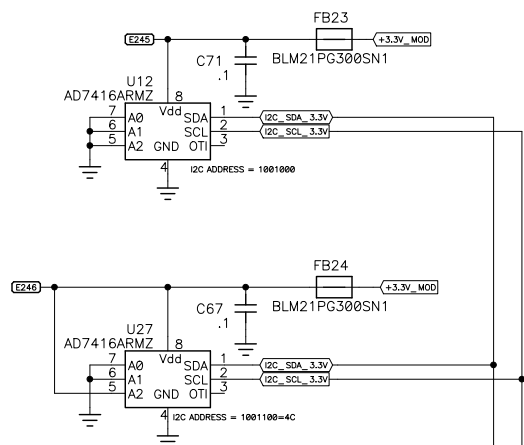
SPI UART4

Alt Ext RS232 (UART4)
to AUX 8 PIN CON.

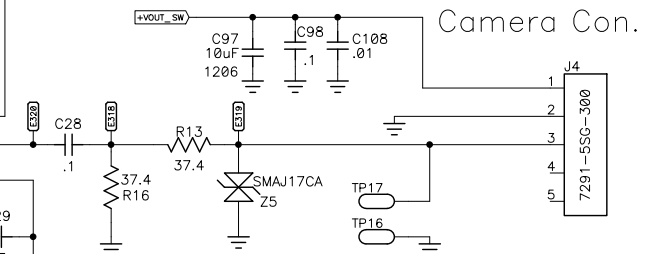
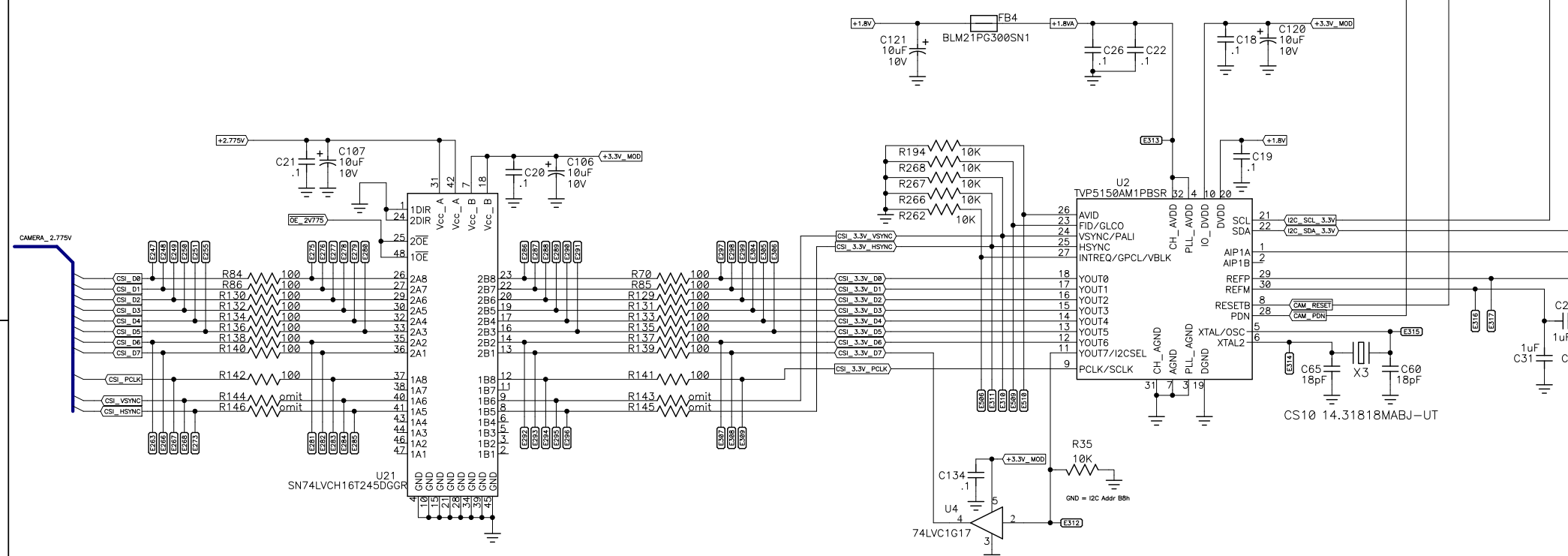
RS232 & GPS

Title Maratrix 570-51 Bd. TEEJET TECHNOLOGIES		
Size C	Number 01-01170	Rev R2
Date Mar. 23, 2018	Drawn by JD	
Filename 01-01170.sch	Sheet 5 of 9	

Temperature Sensors

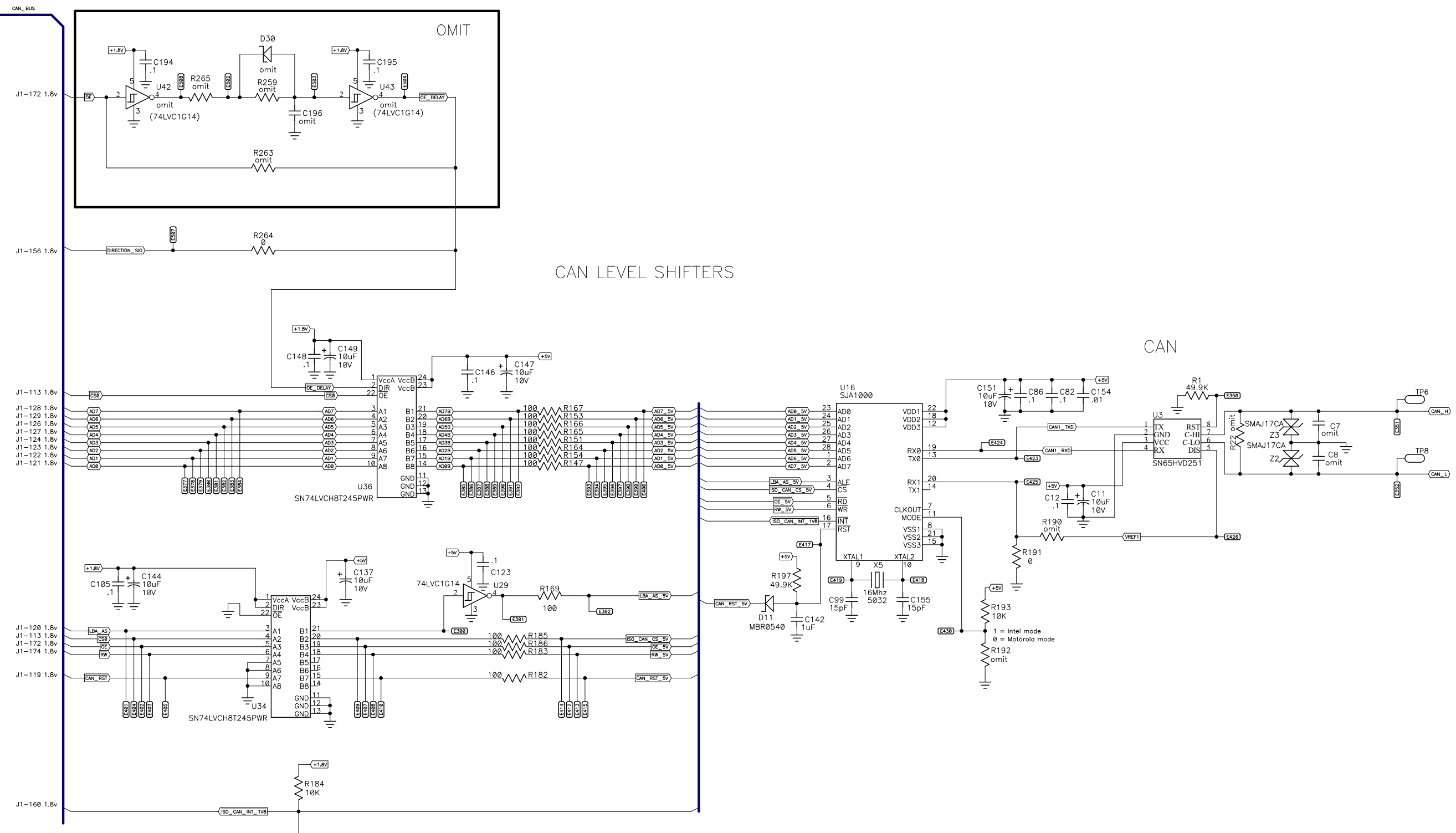


CAMERA INPUT / NTSC TO BT.656 DECODER / BT.656 LEVEL SHIFTER



Camera / Video Input I2C Temp Sensors

Title Maratrix 570-51 Bd.		
TEEJET TECHNOLOGIES		
Size C	Number 01-01170	Rev R2
Date Mar. 23, 2018	Drawn by JD	
Filename 01-01170.sch	Sheet 6 of 9	

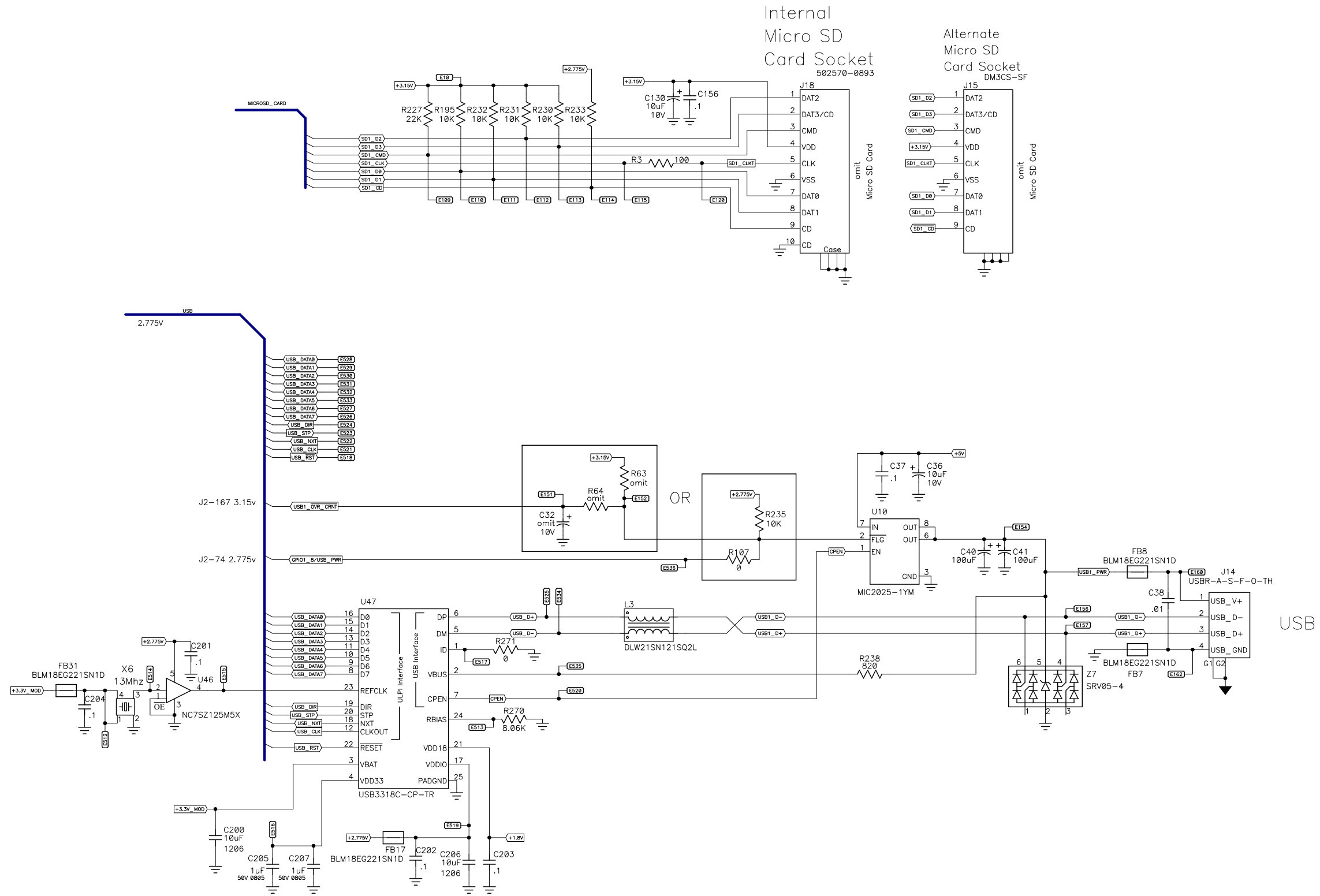


CAN LEVEL SHIFTERS

CAN

CAN

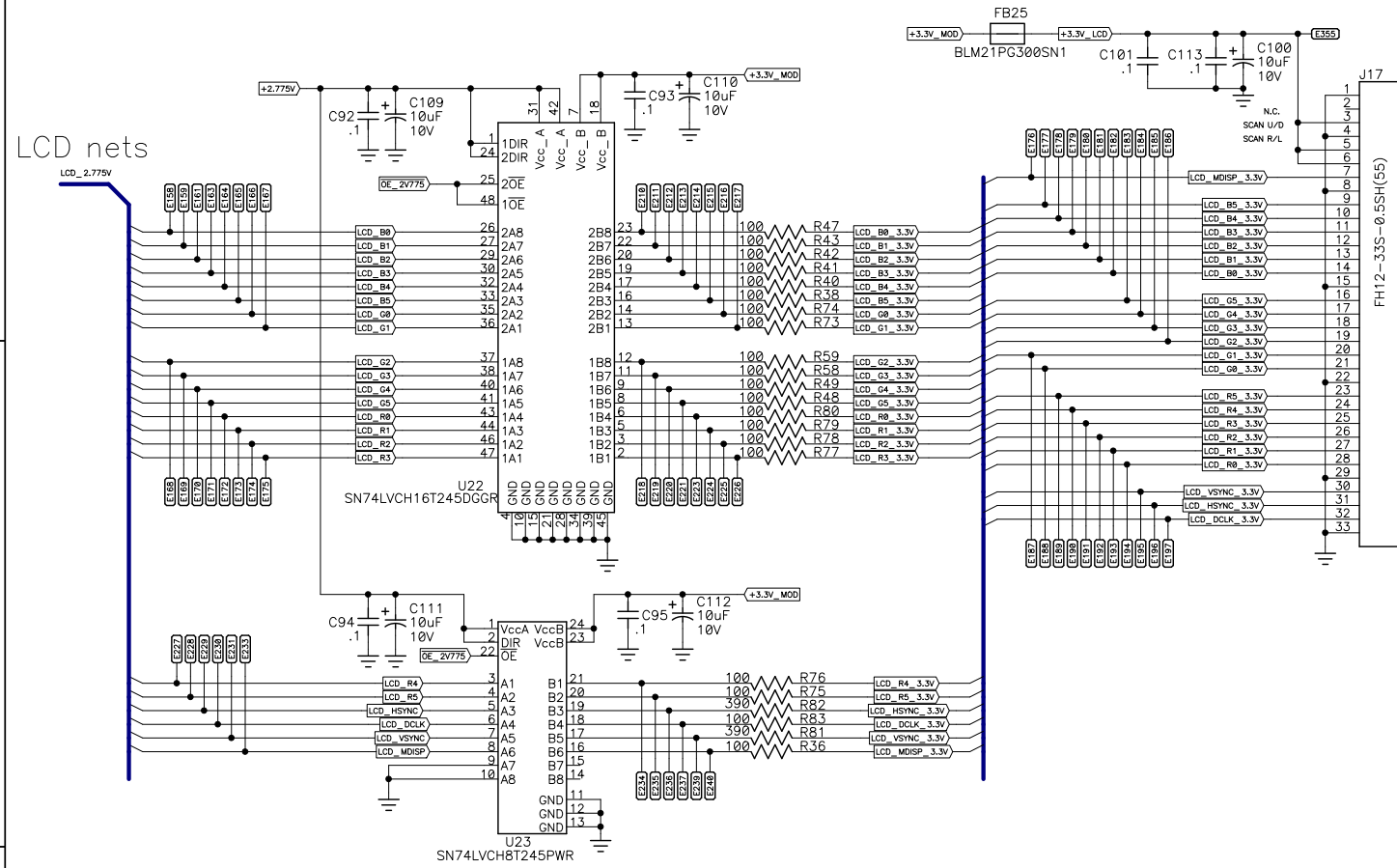
Title Martrix 570-51 Bd. TEEJET TECHNOLOGIES		
Size C	Number 01-01170	Rev R2
Date Mar. 23, 2018	Drawn by JD	
Filename 01-01170.sch	Sheet 7 of 9	



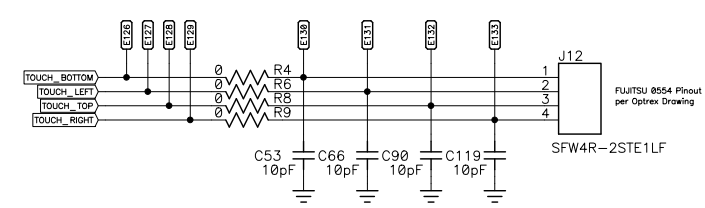
Micro SD
USB

Title Maratrix 570-51 Bd. TEEJET TECHNOLOGIES		
Size C	Number 01-01170	Rev R2
Date Mar. 23, 2018	Drawn by JD	
Filename 01-01170.sch	Sheet 8 of 9	

TFT LEVEL SHIFTERS / LCD CONNECTOR

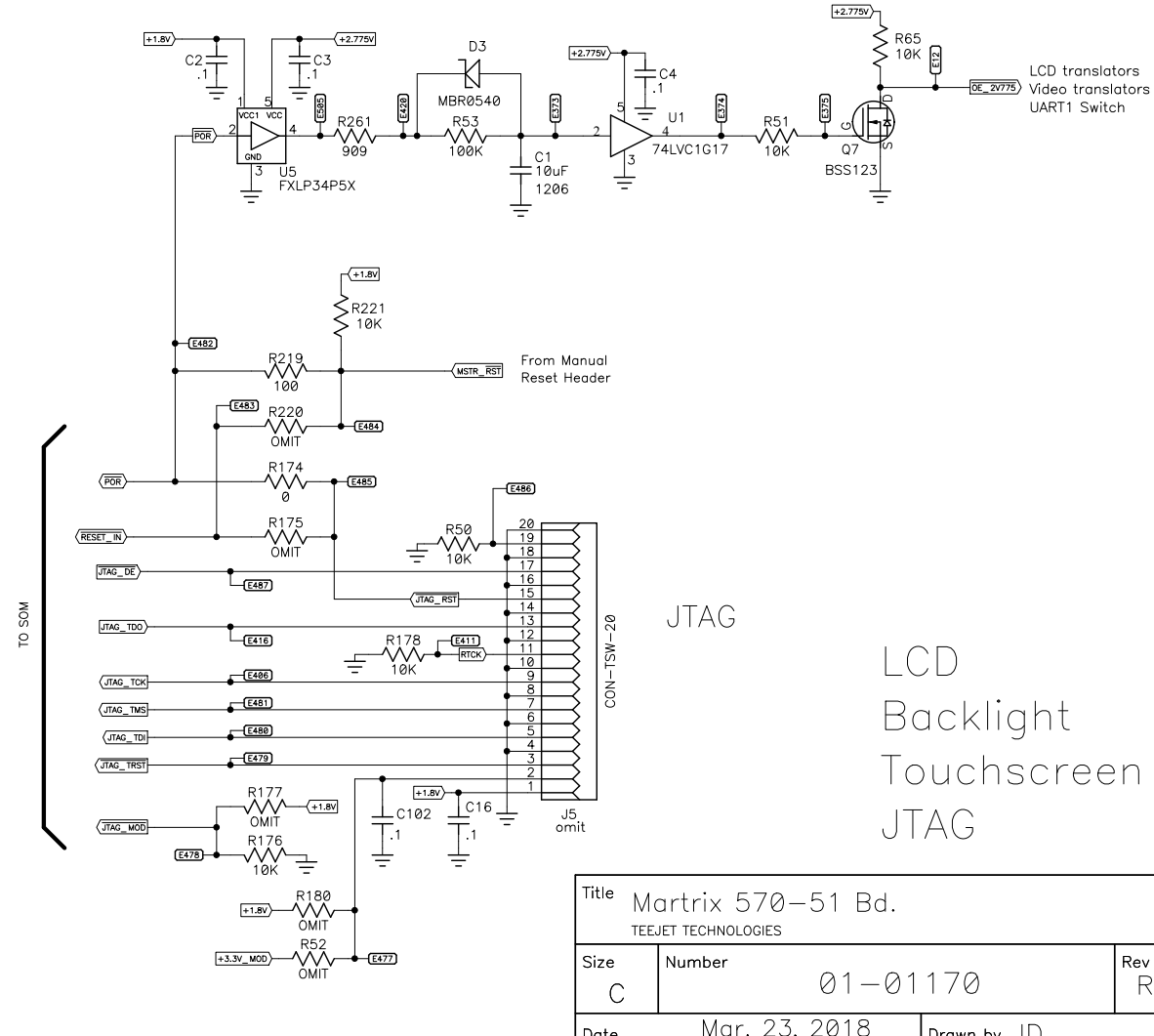
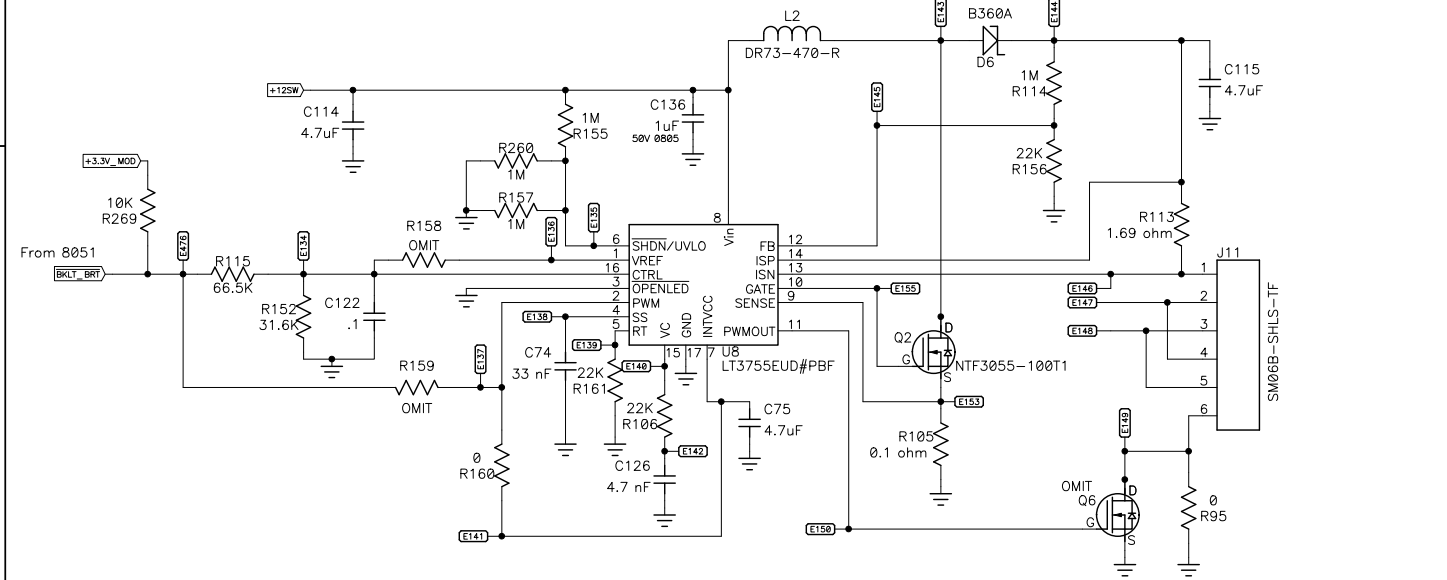


Touchscreen Connector



OPTREX LCD
PINOUT INTENTIONALLY INVERTED
FROM LCD SPEC BECAUSE OF
FFC MECHANICALS

BACKLIGHT POWER



Title Maratrix 570-51 Bd.		
TEEJET TECHNOLOGIES		
Size C	Number 01-01170	Rev R2
Date Mar. 23, 2018	Drawn by JD	
Filename 01-01170.sch	Sheet 9 of 9	