


Table of Content

Page 1	Title Sheet
Page 2	Power/DSI/CSI/Extended IO
Page 3	CAN/UART/Ethernet/SD
Page 4	HDMI
Page 5	USB/KEY/BOOT_MODE/mini PCIE
Page 6	LCD/EPD/Audio
Page 7	SODIMM
Page 8	
Page 9	
Page 10	
Page 11	
Page 12	
Page 13	
Page 14	
Page 15	
Page 16	
Page 17	
Page 18	
Page 19	
Page 20	
Page 21	
Page 22	
Page 23	

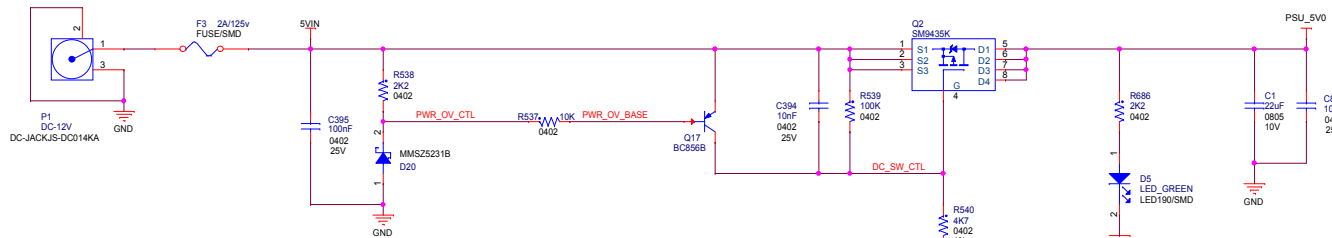
Revision History

Rev. Code	Date	Description
1	31/07/2017	Initial Draft

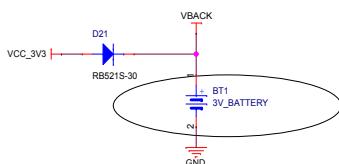
Boardcon Confidential

		Boardcon Inc		<small>Room703-710, Sina An Business Building, 452 Zone 1, Puzosha District, Shenzhen China +86-755-27371191</small>	
Title Sheet					
Size	Document Number	Drawn	Rev		
A2	Imx7-Data-mb	Ajz	1		
Date:	Wednesday, December 20, 2017	Sheet	1	of	7

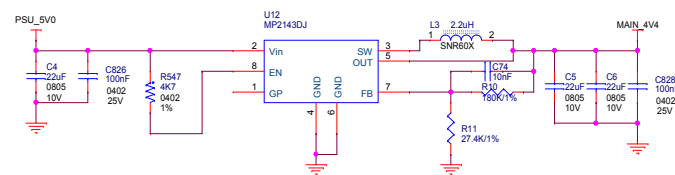
DC5V IN



Note: Over-voltage protection is designed to withstand up to +5.5V.

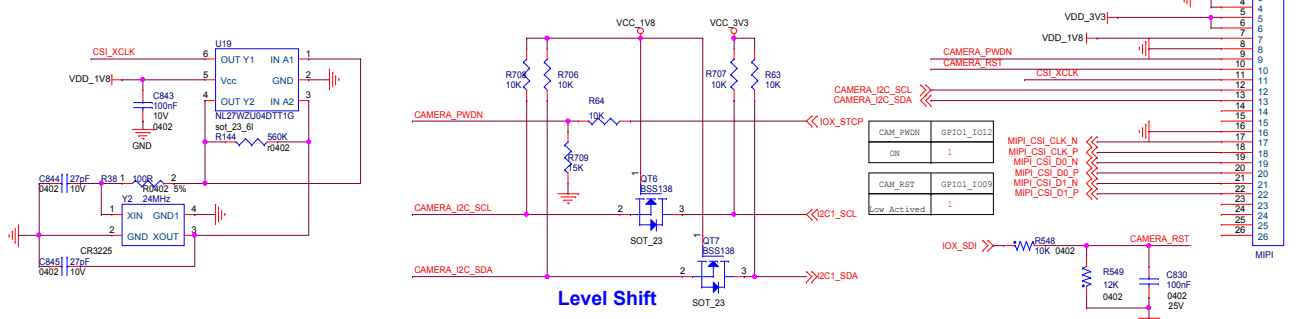


RTC Power



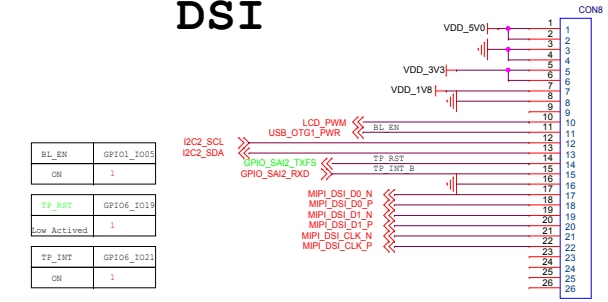
$$\text{MAIN_PWR} = (R10/R11+1) * 0.6 = 4.4V$$

CSI



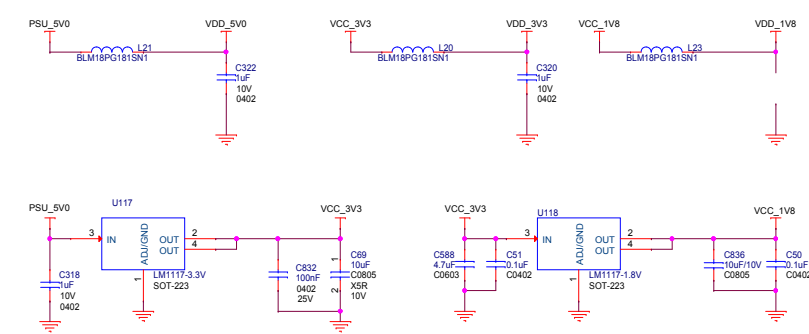
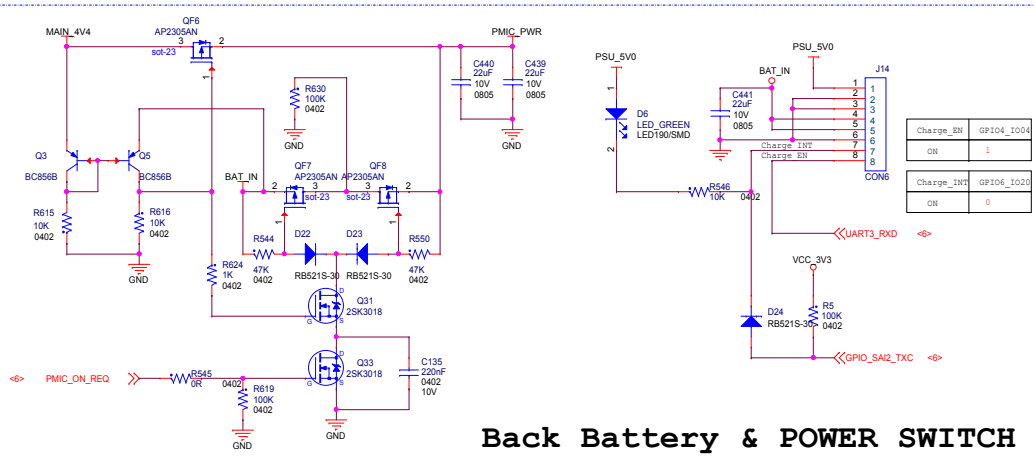
Level Shift

DSI



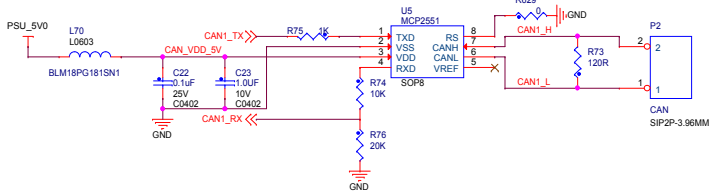
BL_EN	GPIO1_1005
ON	1
EP_RST	GPIO6_1019
Low Activated	1
EP_INT	GPIO6_1021
ON	1

Back Battery & POWER SWITCH

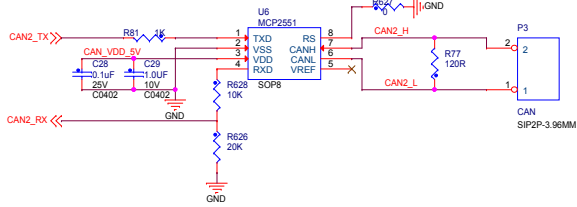


High Speed CAN Transceiver

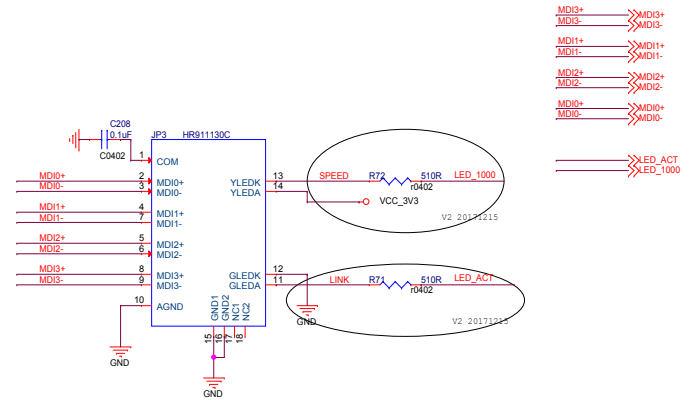
CAN #1



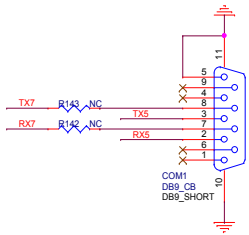
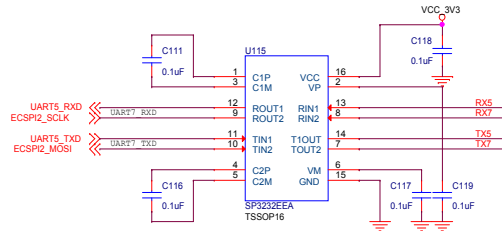
CAN #2



Ethernet



UART



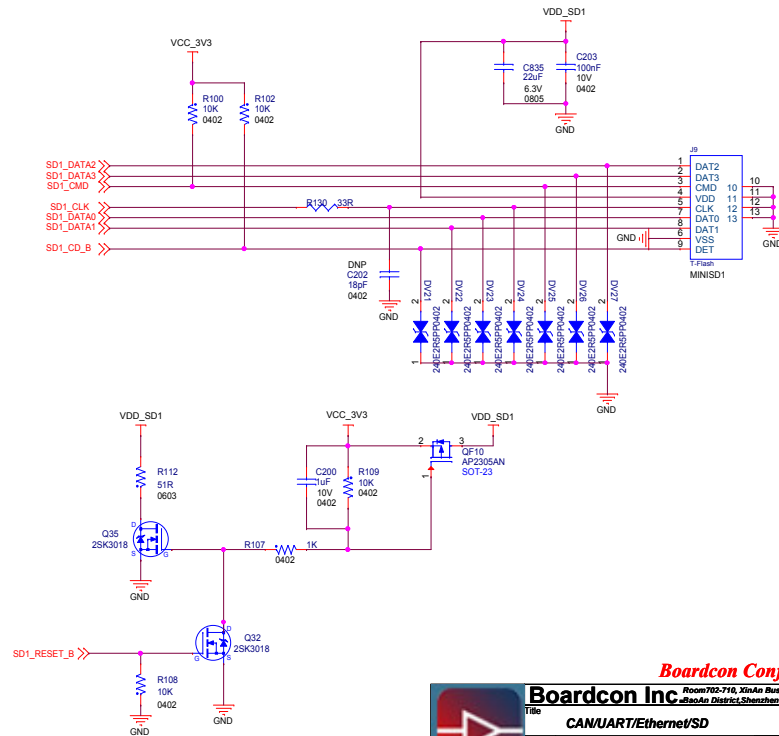
Debug for Cortex-M4



Debug for Cortex-A7

SD CARD

VCC_SD:47 uF capacitor according to Appendix E.1 of the Physical Layer Specification of SD 3.01



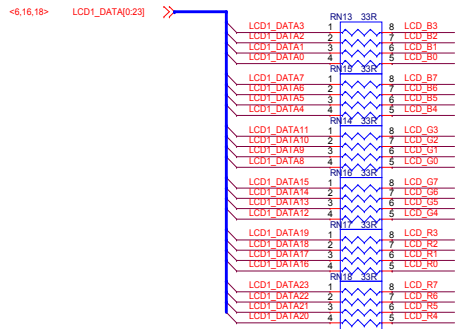
Boardcon Confidential

Boardcon Inc. Room 710, Xinda Business Building, 45Zow, Shenzhen District, Shenzhen, China. +86-755-27921591

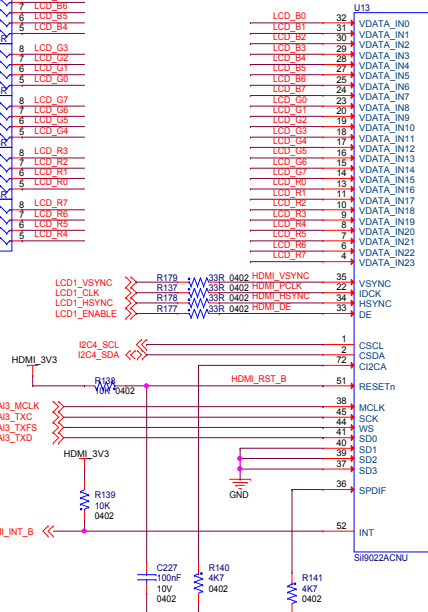
Title: **CAN/UART/Ethernet/SD**

Size	Document Number	Drawn	Rev
C	imx7-Data-mb	Aojc	1
Date:	Thursday, December 21, 2017	Sheet	3 of 7

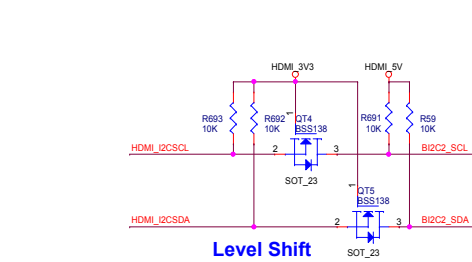
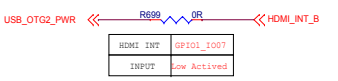
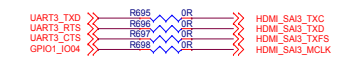
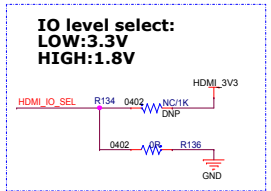
HDMI Transceiver



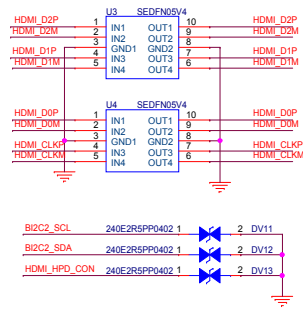
Layout Note:
R137 is intended to be placed near LCD connector to minimize the reflection on the stub to HDMI PHY.



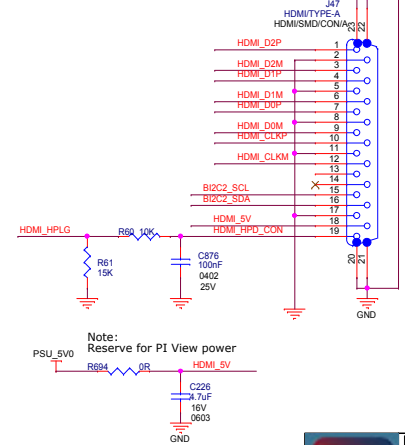
Note:
EXTSWING R133
The recommended value is 4.3 kΩ ±1% with internal source termination enabled and 5.1 kΩ ±1% without internal source termination.



HDMI ESD Protected



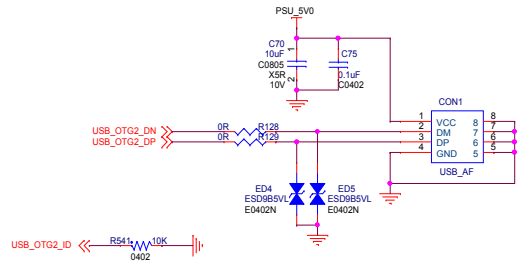
Layout: HDMI 100 ohm differential pairs



Note:
Reserve for PI View power

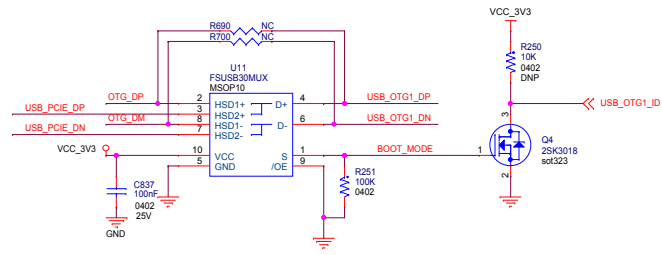
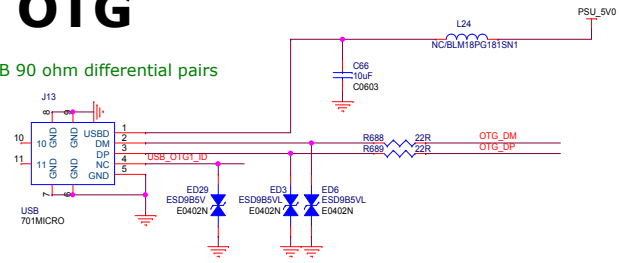
Boardcon Confidential

USB HOST



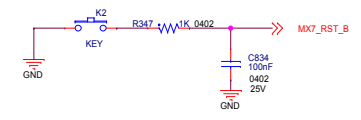
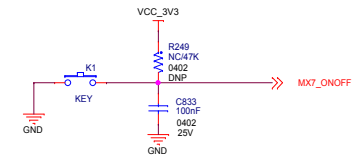
USB OTG

Layout: USB 90 ohm differential pairs

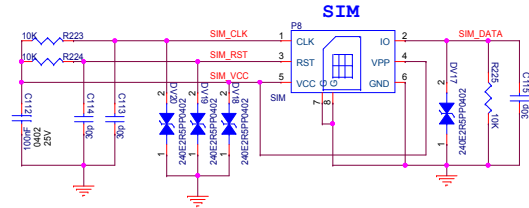
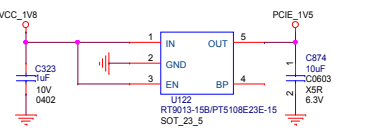
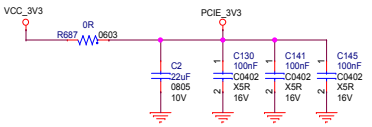
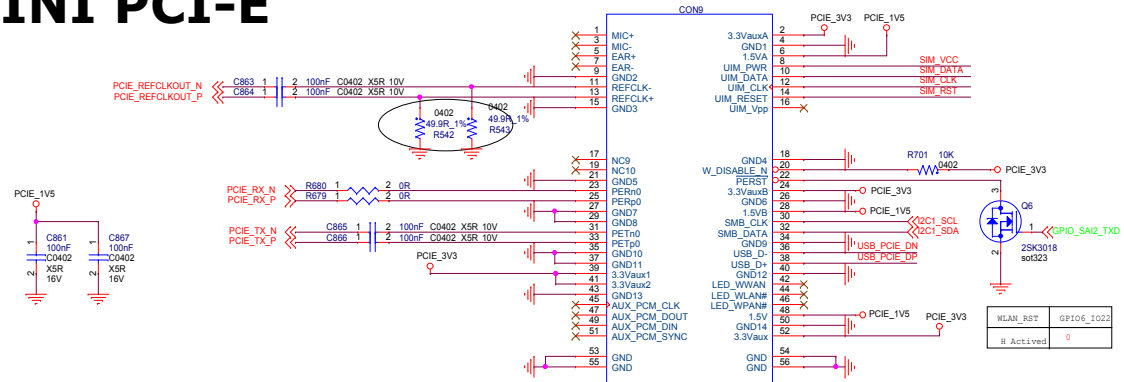


USB SW

Power Button



MINI PCI-E

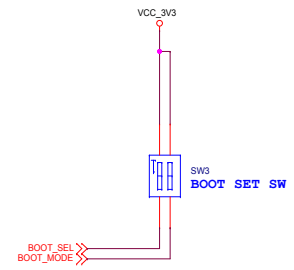


BOOT MODE

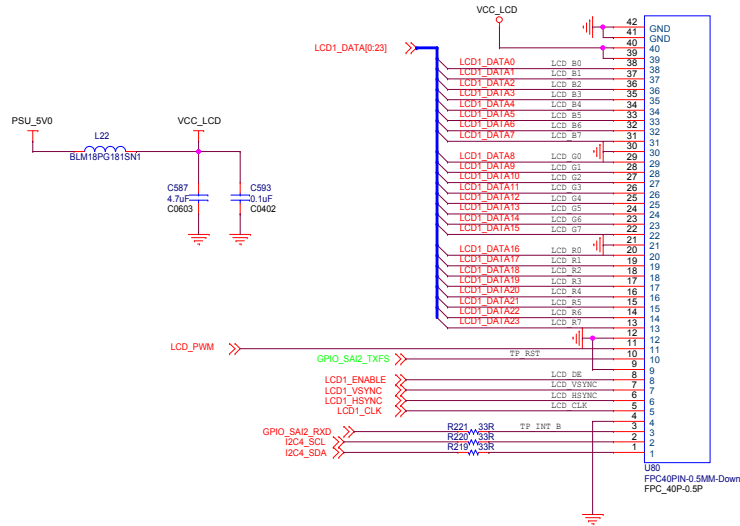
	BOOT_MODE
Serial Downloader	0
INTERNAL BOOT	1

Boot Config

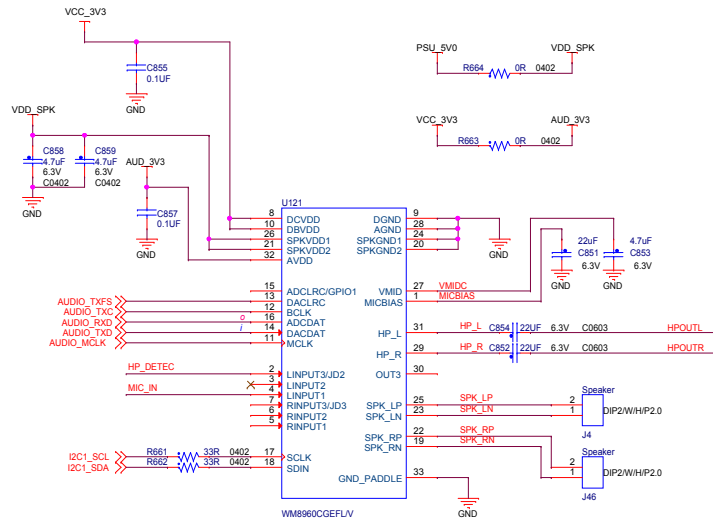
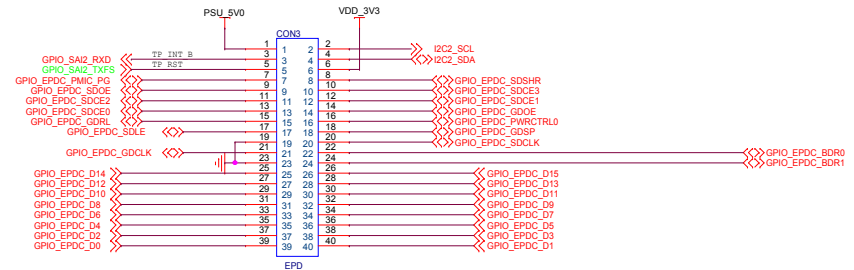
	BOOT_SEL
EMMC	0
SD	1



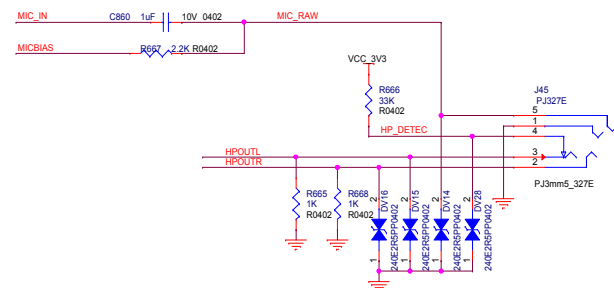
4.3' LCD



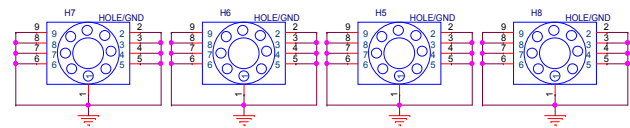
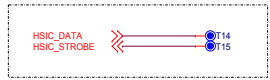
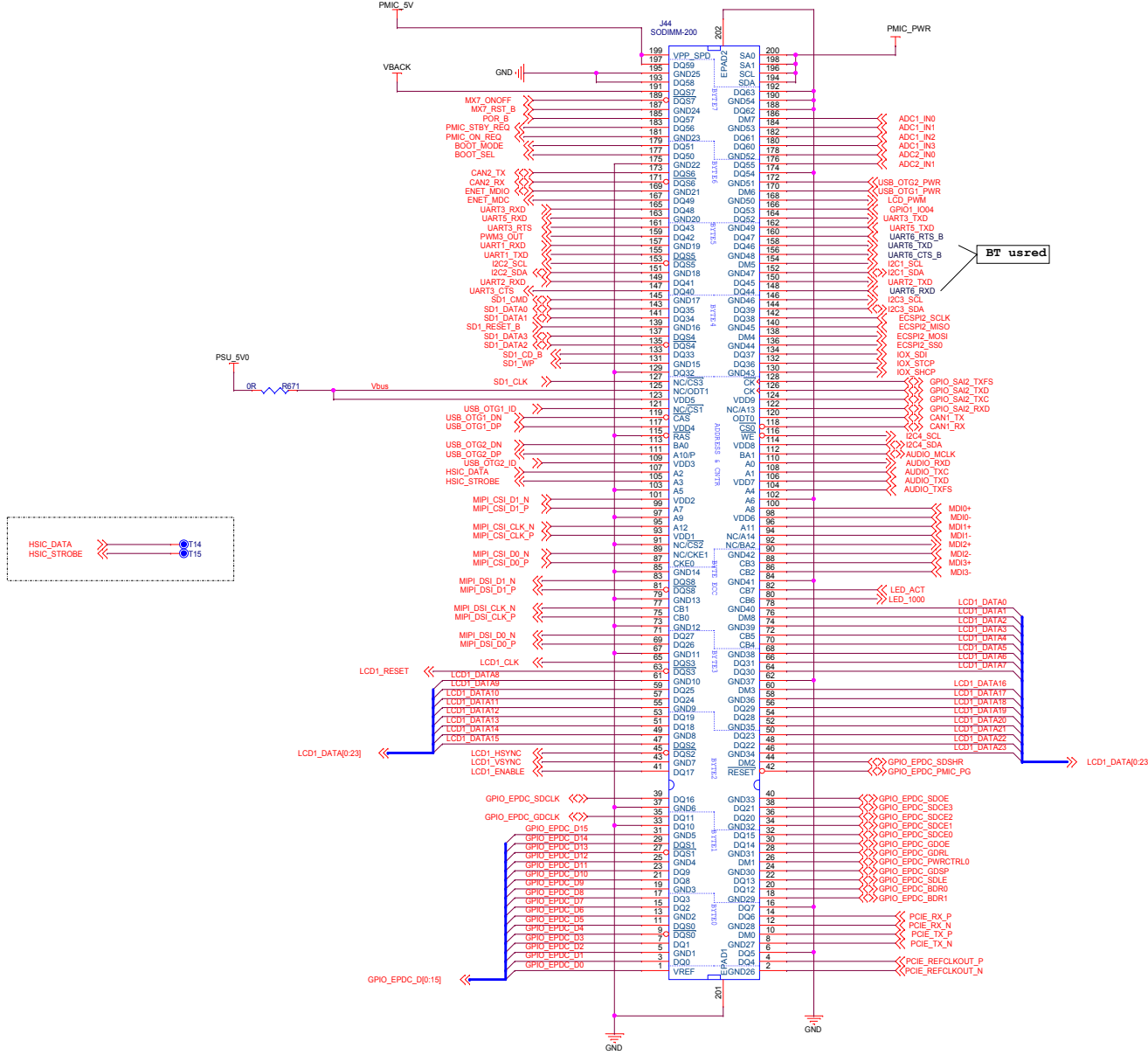
EPD



HEADPHONE



SODIMM 200



Mark



Boardcon Confidential

Boardcon Inc. Room 702-710, XinAn Business Building, 44Zone,
 UltraAn District, Shenzhen China +86-755-27571591

SODIMM

File	Document Number	Drawn	Rev
Size	imx7-Data-mb	Ajgc	1
C	Date: Wednesday, December 20, 2017	Sheet	7 of 7