

# MIMXRT1050-EVK

## Table of Content


Page 1	COVER
Page 2	BLOCK DIAGRAM
Page 3	MAIN POWER
Page 4	POWER DOMAIN
Page 5	MIMXRT1052DVL6A
Page 6	LCD
Page 7	USB
Page 8	CAN
Page 9	AUDIO
Page 10	ETHERNET
Page 11	SD/FLASH/EMMC
Page 12	ARDUINO/JTAG
Page 13	SDRAM
Page 14	OPENSDA
Page 15	CSI
Page 16	BOOT
Page 17	MISC
Page 18	
Page 19	
Page 20	
Page 21	
Page 22	
Page 23	
Page 24	
Page 25	
Page 26	
Page 26	
Page 27	
Page 28	

- Unless Otherwise Specified:  
 All resistors are in ohms, 1/16 Watt,0402  
 All capacitors are in uF,0402  
 All voltages are DC  
 All polarized capacitors are aluminum electrolytic
- Interrupted lines coded with the same letter or letter combinations are electrically connected.

## Revision History

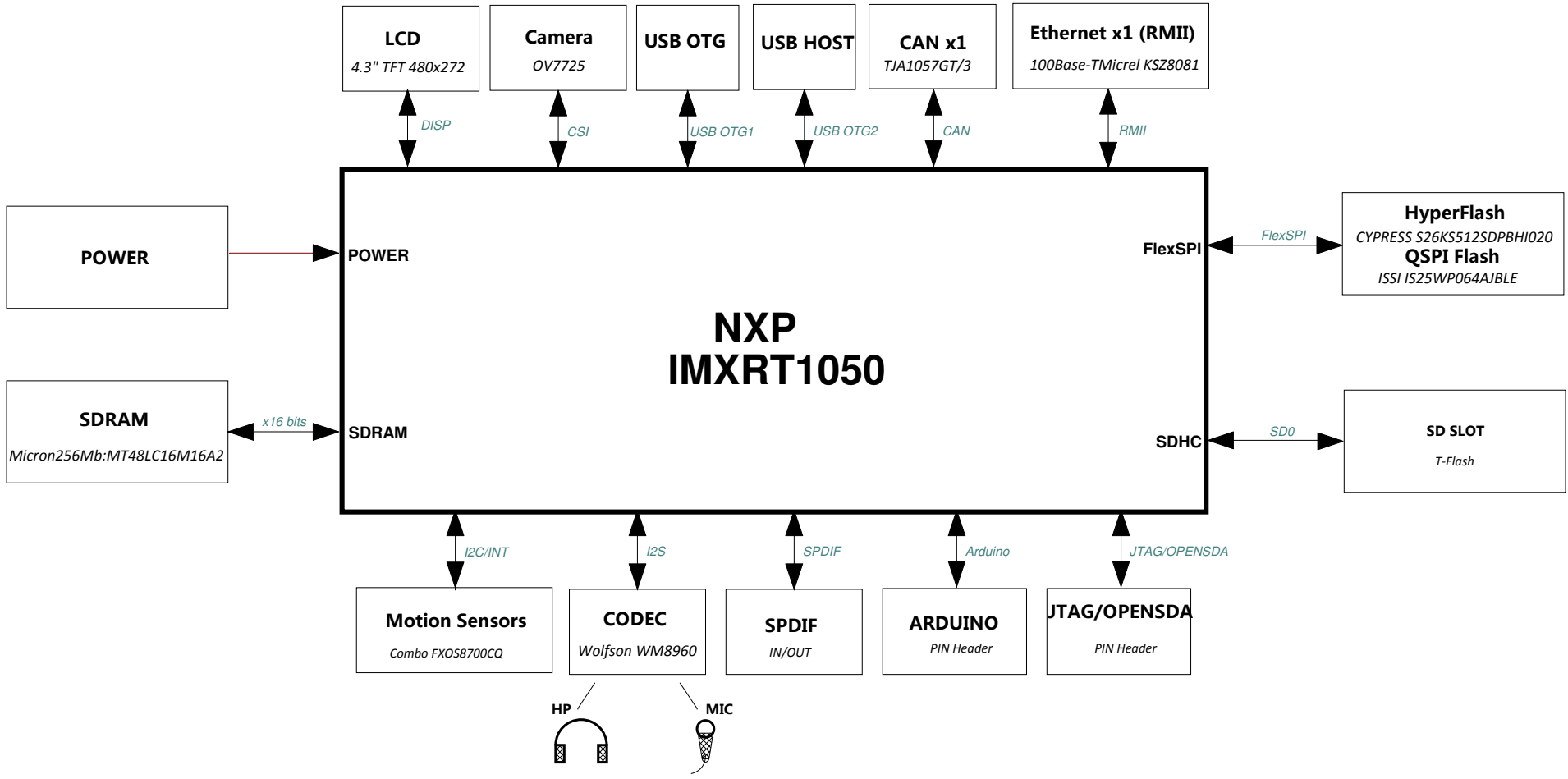
Rev. Code	Date	By	Description
A	2017-5-4	Shawn Shi	Initial Version
A1	2017-7-17	Shawn Shi	Update power up sequence, add 0ohm resistor for SPI Flash control lines, add pull down to JTAG_MOD, change U4 to 350mA capacity LDO,add R314, C230,C231,R309,R313,R312
A2	2017-8-3	Shawn Shi	Update CSI signal, DNP 0ohm resistor between SD card and Arduino interface
A3	2017-9-5	Shawn Shi	Update BOM to change DCDC_IN=3V, DNP Arduino interface headers for production
A4	2017-10-18	Shawn Shi	Update BOM only to change CSI related serial 0ohm resistor from DNP to mount, mount R352 and DNP R353

- Device type number is for reference only. The number varies with the manufacturer.
- Special signal usage:  
 B Denotes - Active-Low Signal  
 <> or [] Denotes - Vectored Signals
- Interpret diagram in accordance with American National Standards Institute specifications, current revision, with the exception of logic block symbology.

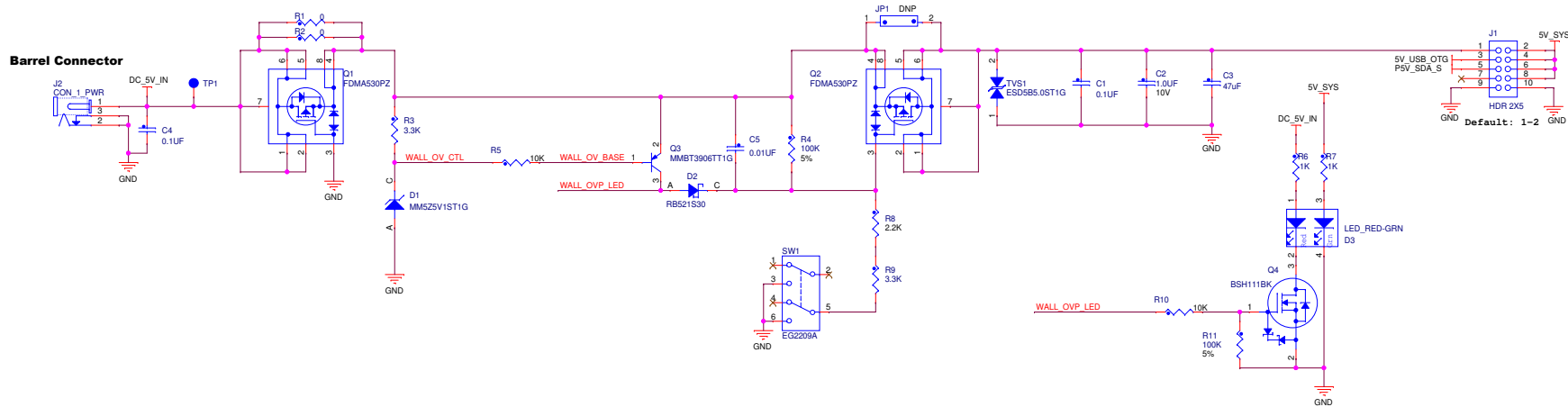


ICAP Classification: CP: _____ IUC: X PUI: _____	
Drawing Title: <b>MIMXRT1050-EVK</b>	
Page Title: <b>COVER</b>	
Size C	Document Number SCH-29538, PDF: SPF-29538
Date: Wednesday, October 18, 2017	Rev A4
Sheet 1 of 17	

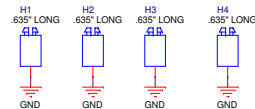
# MIMXRT1050-EVK



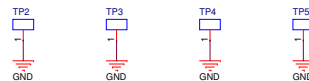
# Main Power



# Board Mounting Holes

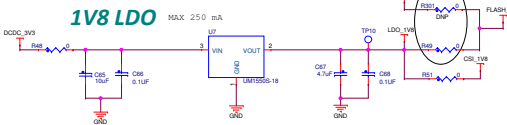
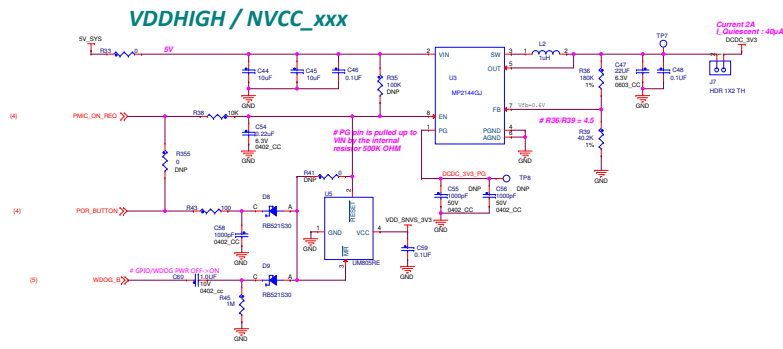
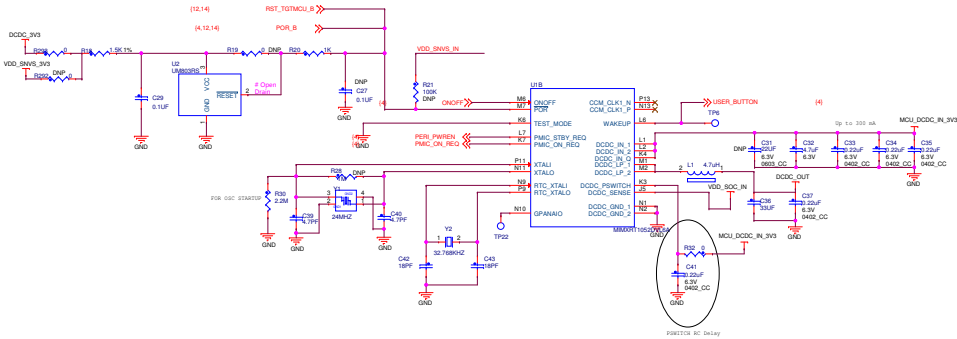
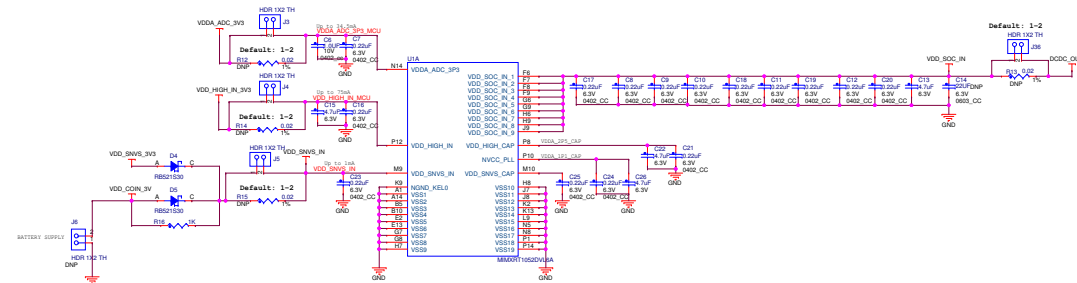


# Ground TPs

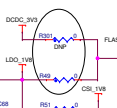


Layout Note: Place Ground TPs to assist signal measurement.

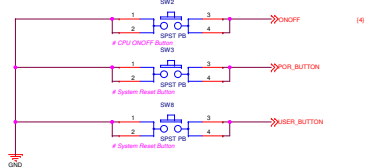
ICAP Classification:		CP:	IUC: X PUBL:
Drawing Title: <b>MIMXRT1050-EVK</b>			
Page Title: <b>MAIN POWER</b>			
Size C	Document Number	SCH-29538, PDF: SPF-29538	Rev A4
Date:	Wednesday, October 18, 2017	Sheet 3	of 17



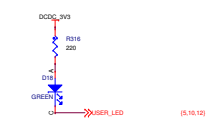
**FLASH VCC**



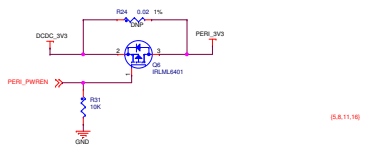
**BUTTON**



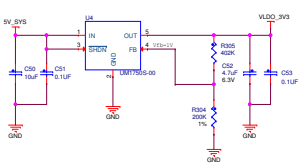
**USER LED**



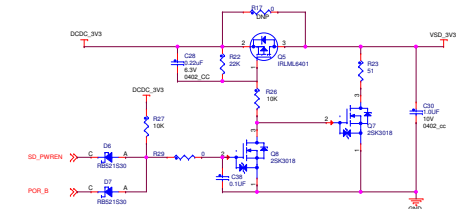
**LCD 3V3 POWER SWITCH**



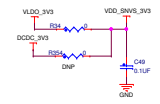
**3V3 LDO for SNVS**



**SD CARD POWER SWITCH**



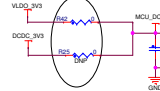
**SNVS**



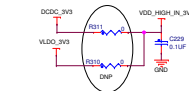
**ADC**



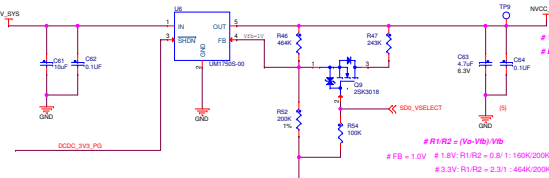
**DDC3\_IN**



**VDD\_HIGH\_IN**

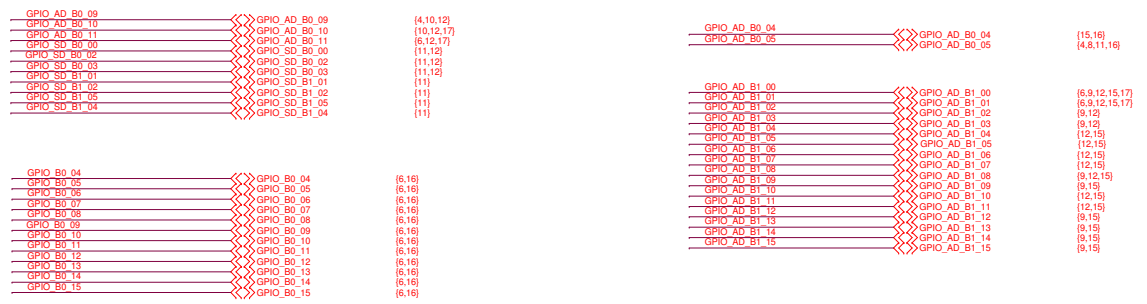
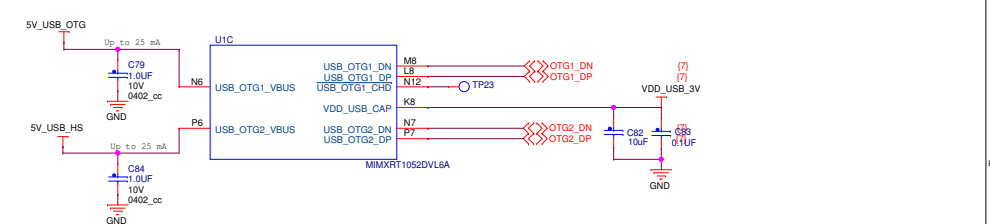
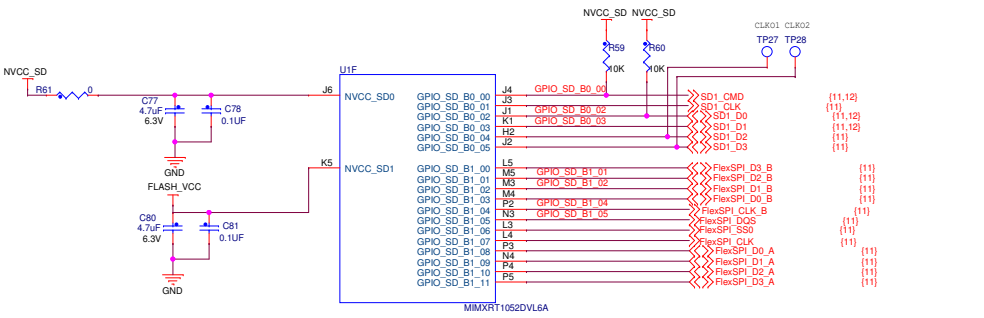
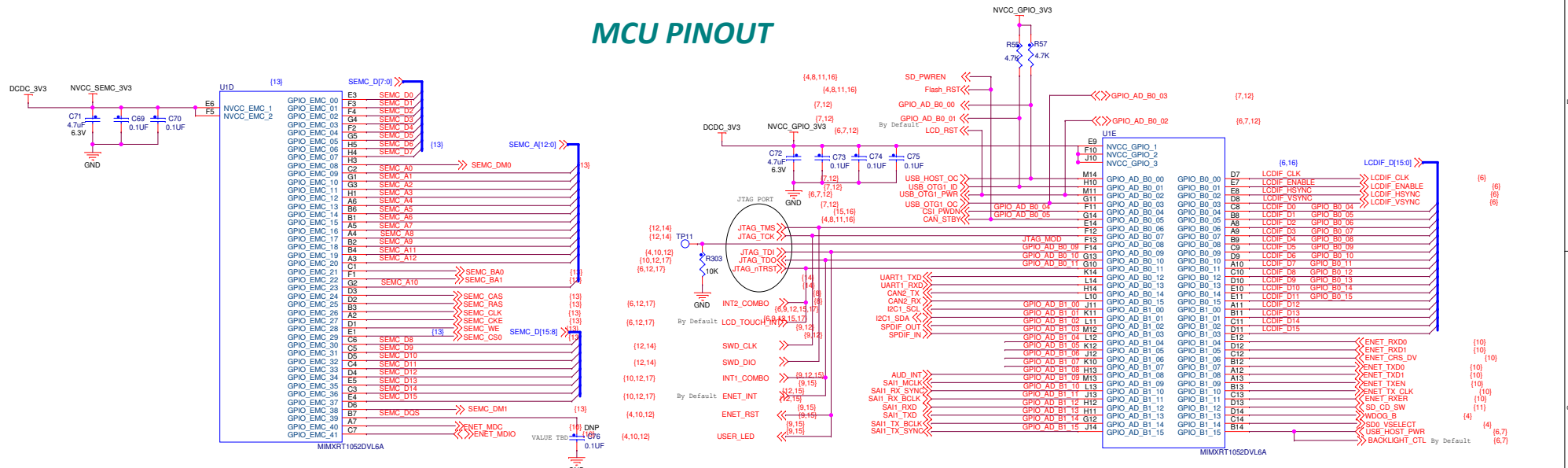


**NVCC\_SD <SD3.0>**

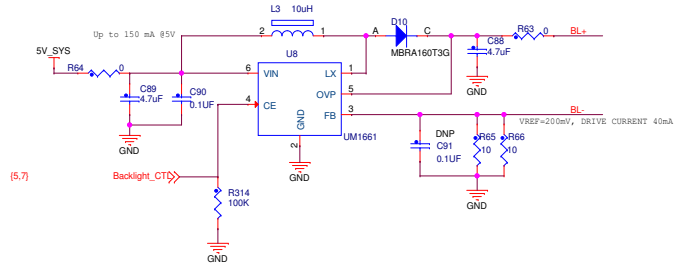


ICAP Compliance		CP	SD	X	PLR
Drawing Title		<b>MIMXRT1050-EVK</b>			
Page Title		<b>POWER DOMAIN</b>			
Rev D	Document Number	SCH 26538, POFI SPP 29538			Rev A0
Doc ID	Version	00000000	00000000	0000	0000

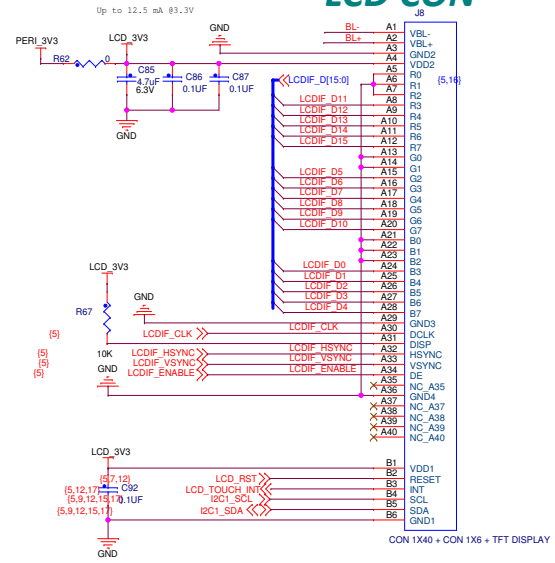
# MCU PINOUT



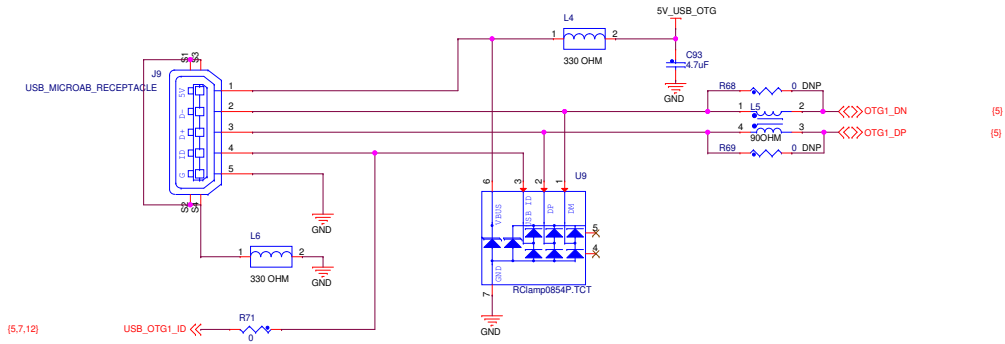
# Backlight Control



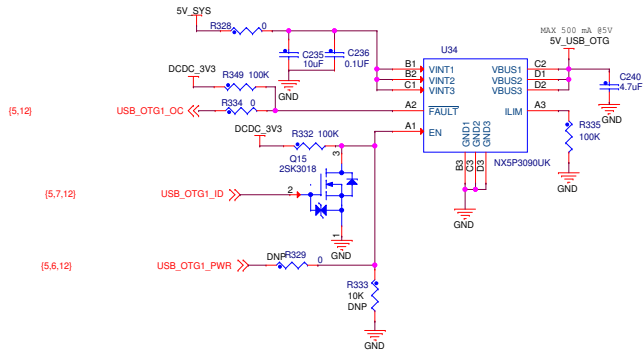
# LCD CON



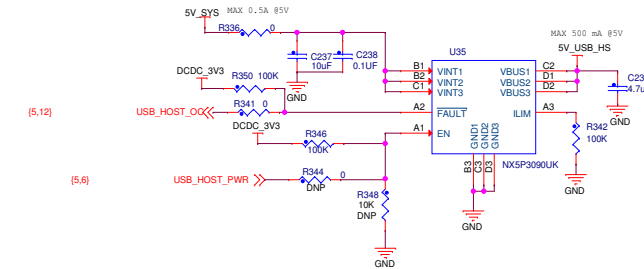
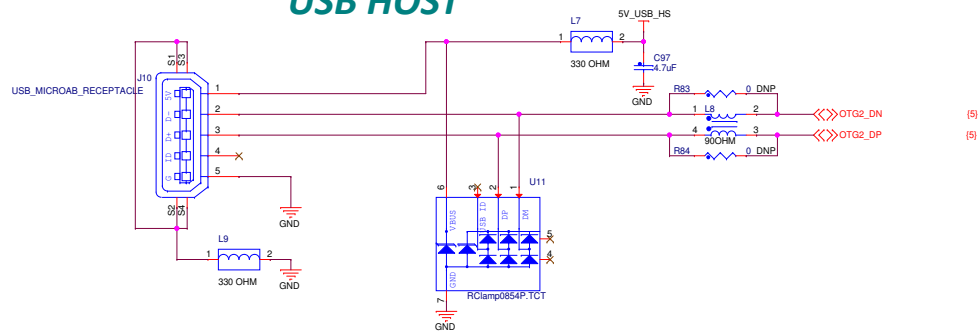
## USB OTG



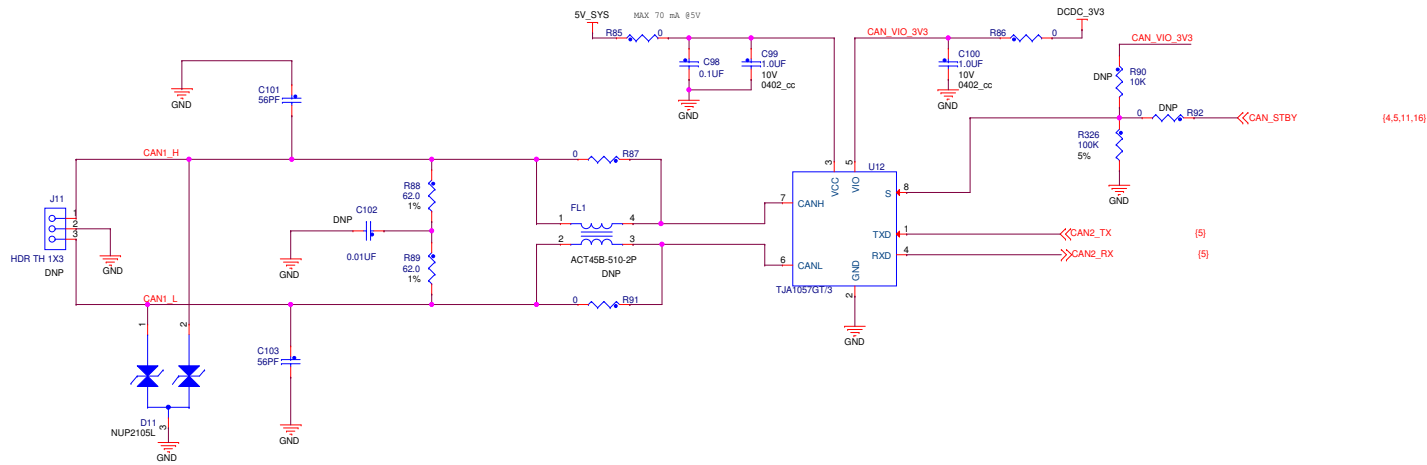
## USB POWER



## USB HOST



# CAN BUS



(4.5.11.16)

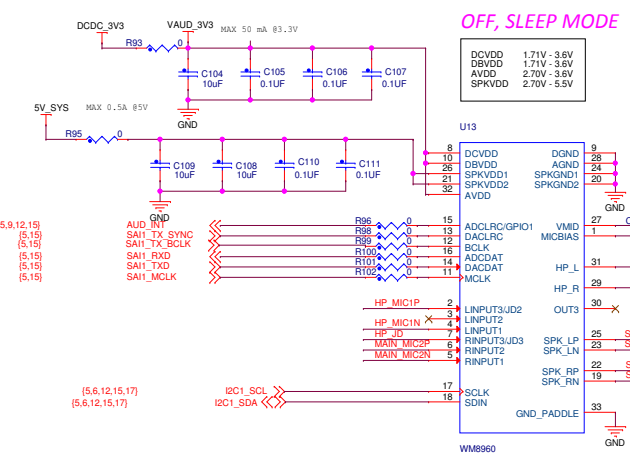
(5)

(5)

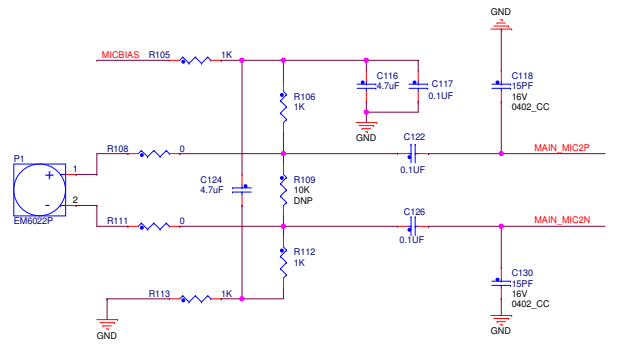


ICAP Classification: CP: _____ IUC: X PUIB: _____	
Drawing Title: <b>MIMXRT1050-EVK</b>	
Page Title: <b>CAN</b>	
Size C	Document Number SCH-29538, PDF: SPF-29538
Date: Wednesday, October 18, 2017	Rev A4
Sheet 8	of 17

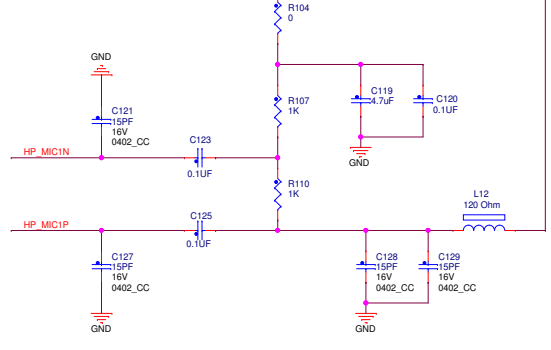




**Main Board MIC**

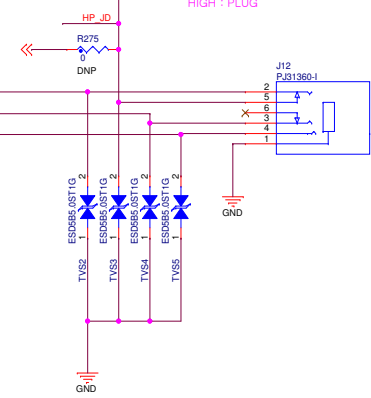


**HP MIC**

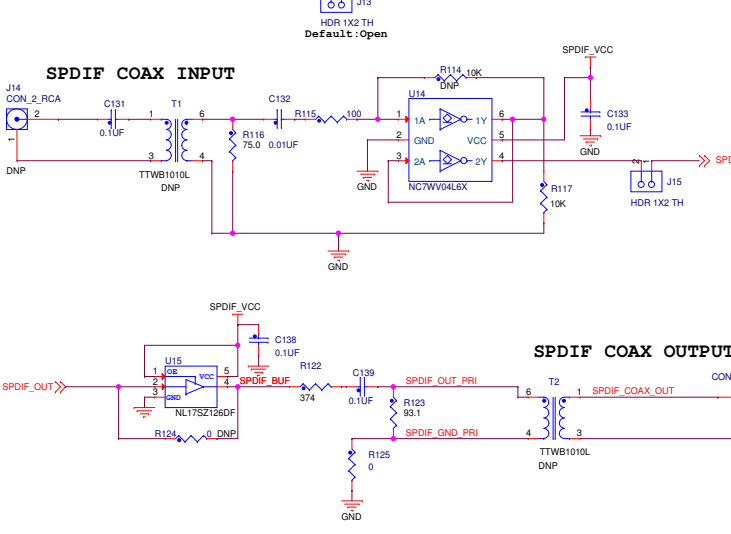


**HP JACK**

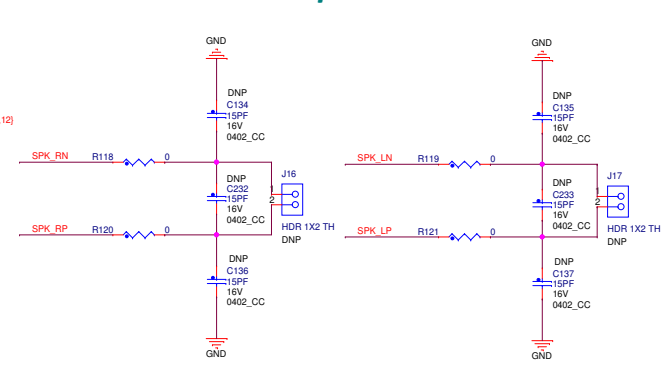
# HP\_DET: LOW : REMOVE HIGH : PLUG



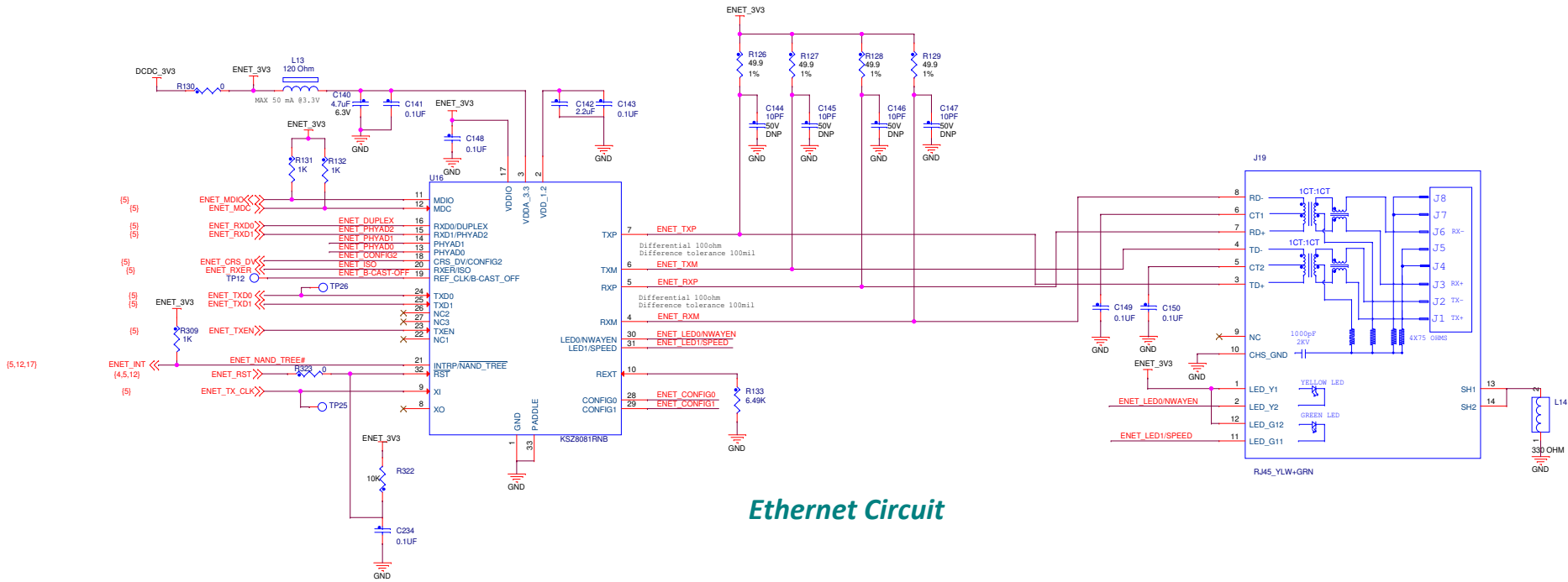
**SPDIF INTERFACE**



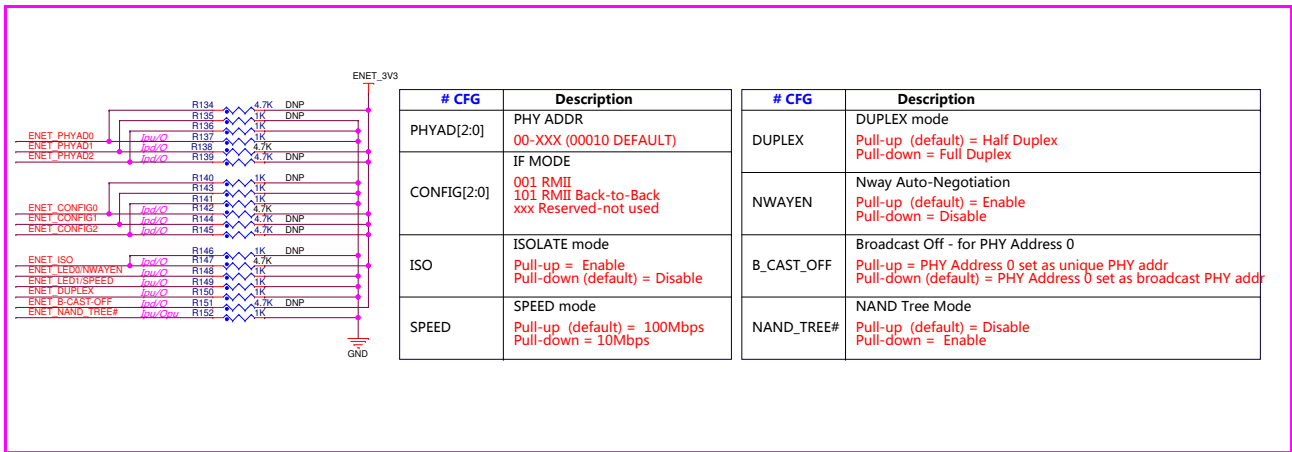
**Speaker**



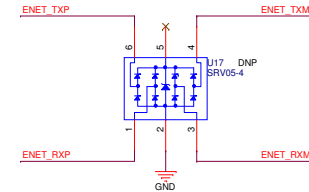
ICAP Classification: CP: IUC: X PUBL:   
 Drawing Title: **MIMXRT1050-EVK**   
 Page Title: **AUDIO**   
 Doc Number: SCH-29538, PDF: SPF-29538   
 Date: Wednesday, October 18, 2017 Sheet 9 of 17

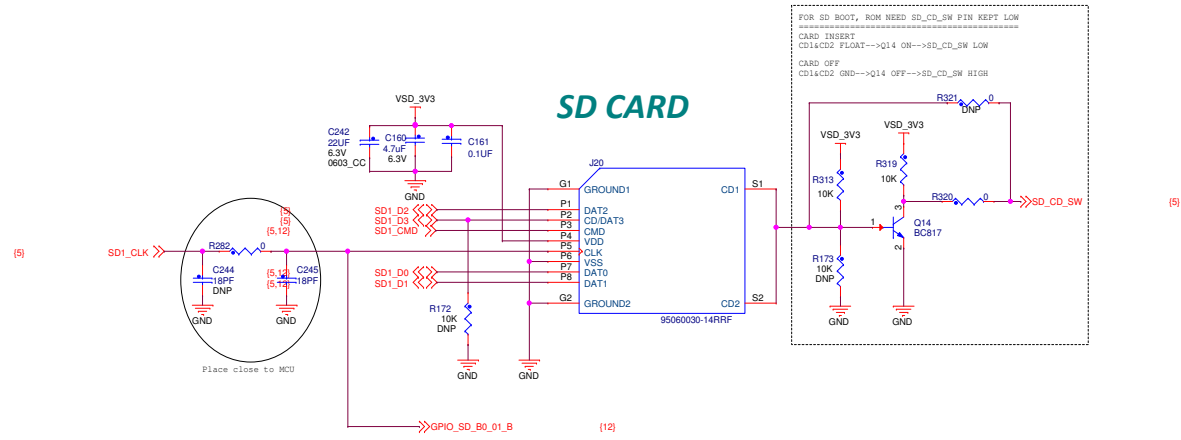


**Ethernet Circuit**



**ESD PROTECTION**

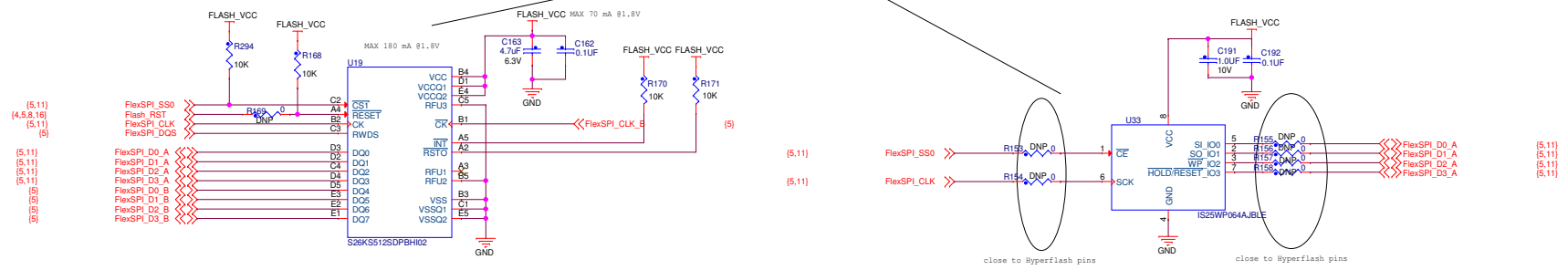




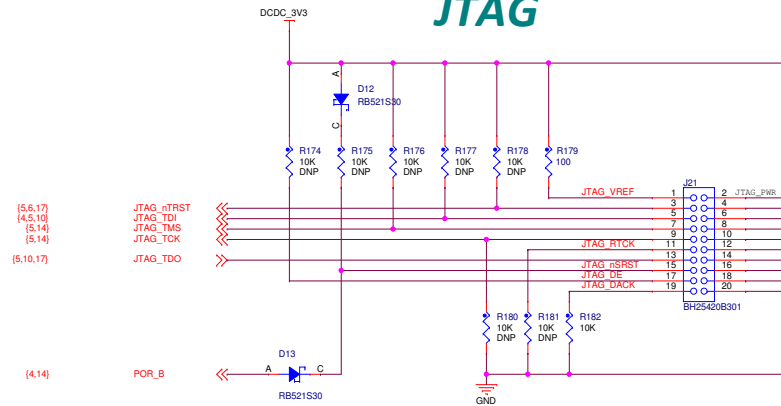
### 1V8 HyperFlash

OPTION1: USE Hyperflash (DNP U33)  
 OPTION2: USE QSPI FLASH (DNP U19)

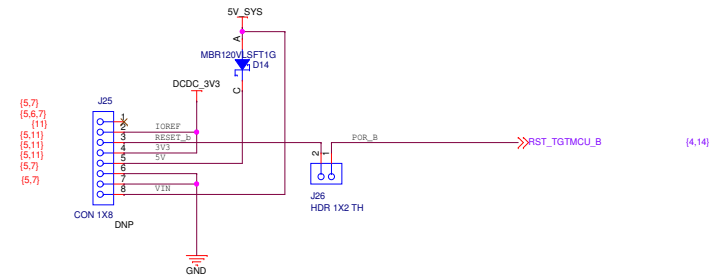
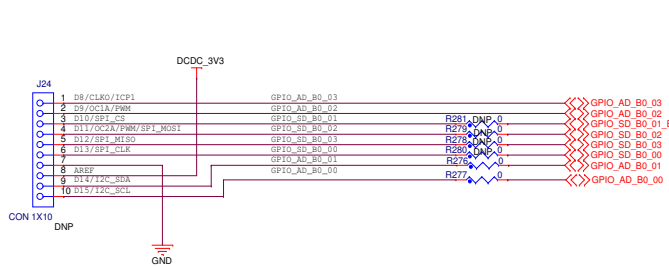
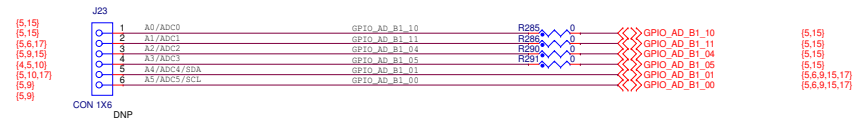
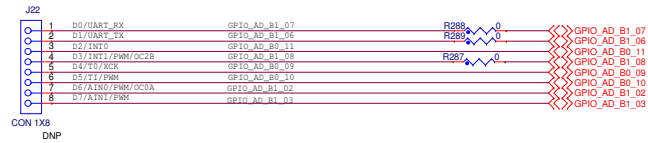
### 1V8 QSPI Flash



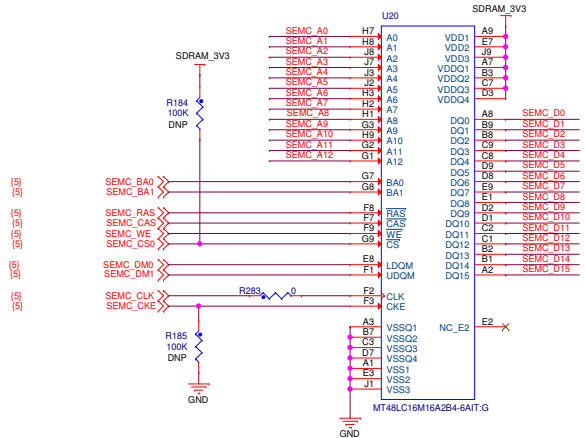
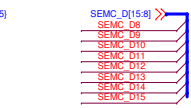
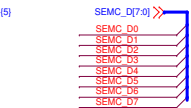
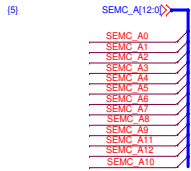
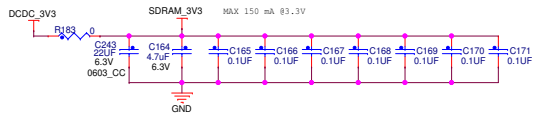
# JTAG




# Arduino Interface



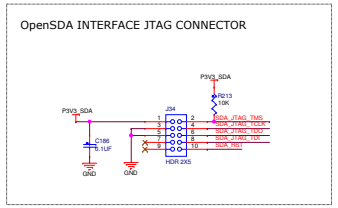
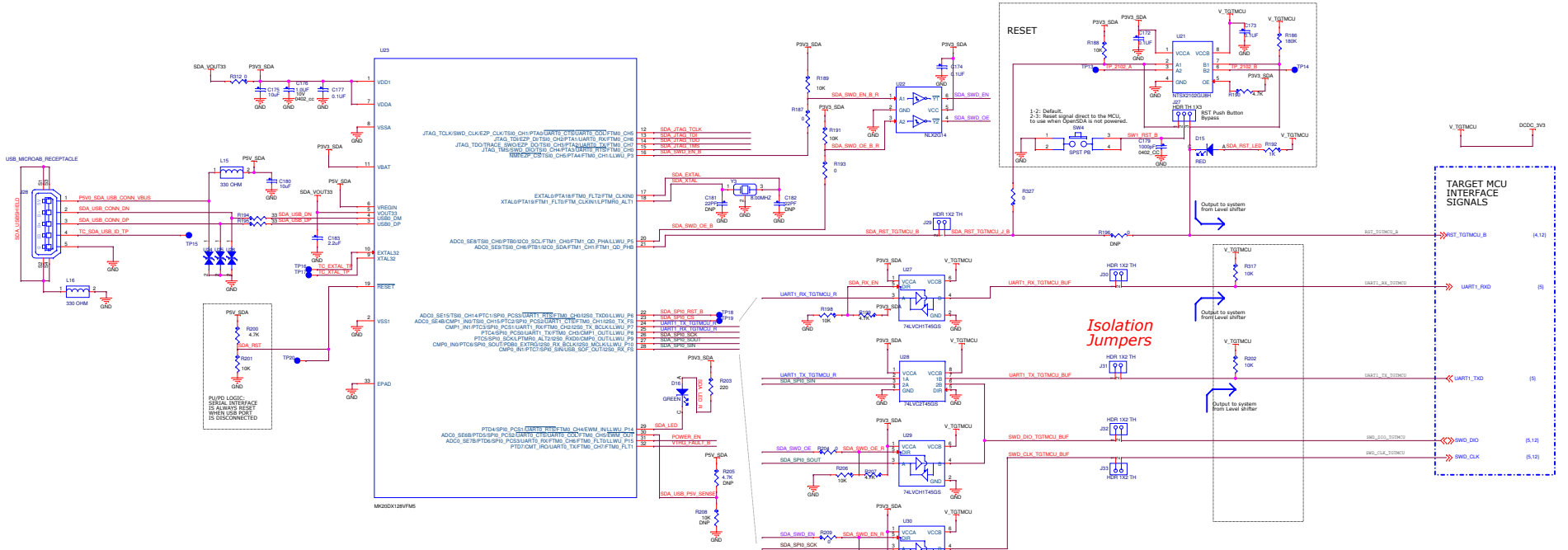
# SDRAM



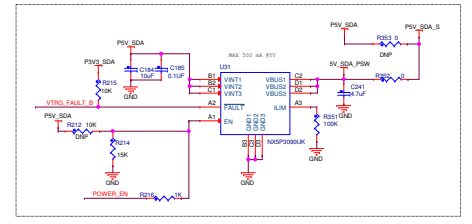


ICAP Classification: CP: _____ IUC: X PUI: _____	
Drawing Title: <b>MIMXRT1050-EVK</b>	
Page Title: <b>SDRAM</b>	
Size C	Document Number SCH-29538, PDF: SPF-29538
Date: Wednesday, October 18, 2017	Sheet 13 of 17

# OpenSDA Interface



**PWR SWITCH**  
(To enable 5v from USB connector)

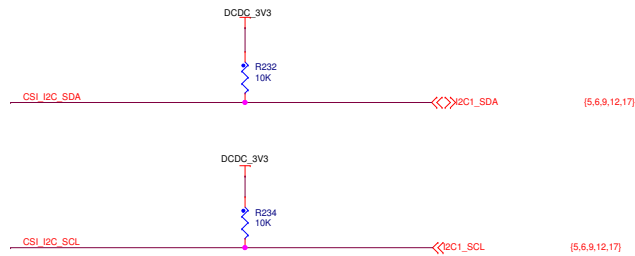
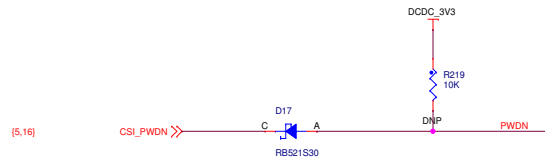


**Isolation and level shift stage**  
(for 1.8 to 5V compatibility)

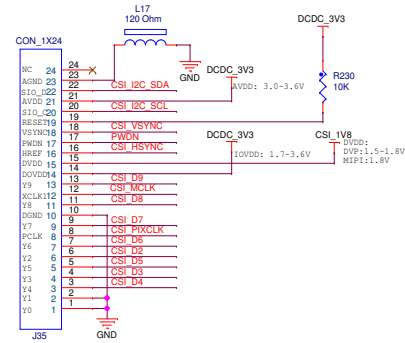
**74VHC14555**  
PWR SW SW2

## Camera Signals

CSI_PIXCLK	R217	0	GPIO_AD_B1_04	(5,12)
CSI_MCLK	R218	0	GPIO_AD_B1_05	(5,12)
CSI_VSYNC	R220	0	GPIO_AD_B1_06	(5,12)
CSI_HSYNC	R221	0	GPIO_AD_B1_06	(5,12)
CSI_D9	R222	0	GPIO_AD_B1_07	(5,12)
CSI_D8	R223	0	GPIO_AD_B1_08	(5,9,12)
CSI_D7	R224	0	GPIO_AD_B1_09	(5,9)
CSI_D6	R225	0	GPIO_AD_B1_10	(5,12)
CSI_D5	R226	0	GPIO_AD_B1_11	(5,12)
CSI_D4	R227	0	GPIO_AD_B1_12	(5,9)
CSI_D3	R228	0	GPIO_AD_B1_13	(5,9)
CSI_D2	R229	0	GPIO_AD_B1_14	(5,9)
			GPIO_AD_B1_15	(5,9)

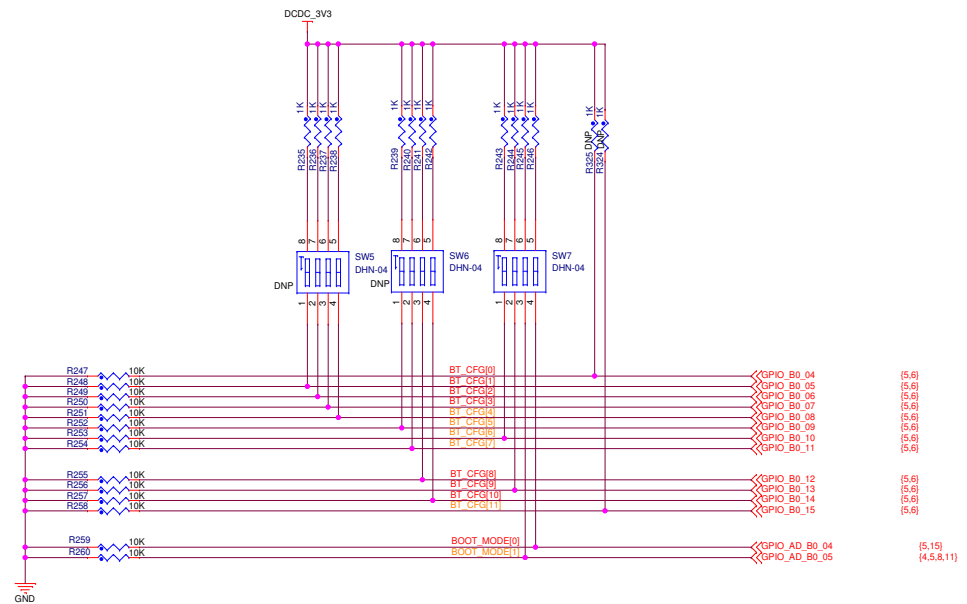



## FPC FOR OV7725 MODULE



# FUSE MAP

TYPE	0/1	0/1	0/1	0/1	0/1	0/1	0/1	0/1	0/1	0/1	0/1	0/1
	BOOT_CFG[11]	BOOT_CFG[10]	BOOT_CFG[9]	BOOT_CFG[8]	BOOT_CFG[7]	BOOT_CFG[6]	BOOT_CFG[5]	BOOT_CFG[4]	BOOT_CFG[3]	BOOT_CFG[2]	BOOT_CFG[1]	BOOT_CFG[0]
FlexSPI - Serial NOR	Infinit-Loop: (Debug USE only) 0 - Disable 1 - Enable	FLASH_TYPE 000-Device supports 3B read by default 001-Device supports 4B read by default 010-HyperFlash 1V8 011-HyperFlash 3V3 100-MXIC Octal DDR			0	0	0	0	HOLD TIME: 00 - 500us 01 - 1ms 10 - 3ms 11 - 10ms		EncryptedXIP 0 - Disabled 1 - Enabled	Reserved
SD	Infinit-Loop: (Debug USE only) 0 - Disable 1 - Enable	Reserved	Bus Width: 0 - 1-bit 1 - 4-bit	SD1 VOLTAGE SELECTION: 0 - 3.3V 1 - 1.8V	0	1	SD/SDXC Speed: 00 - Normal/SDR12 01 - High/SDR25 10 - SDR50 11 - SDR104		SD Power Cycle Enable: '0' - No power cycle '1' - Enabled via USDHC_RST pad	SD Loopback Clock Source Sel: (for SDR50 and SDR104 only) '0' - through SD '1' - direct	Port Select: 0 - eSDHC1 1 - eSDHC2	Fast Boot: 0 - Regular 1 - Fast Boot

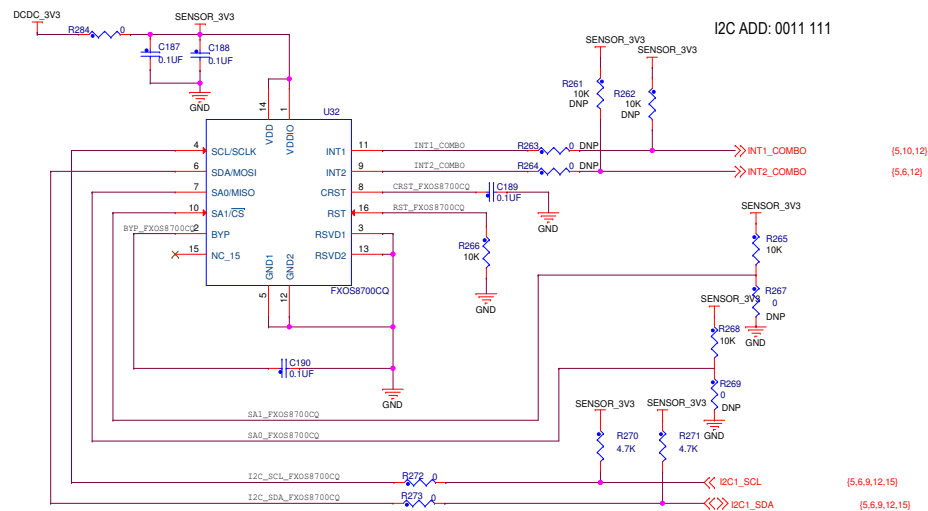




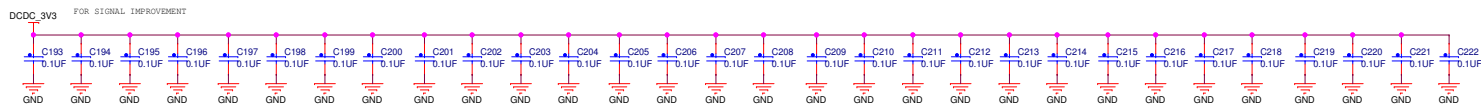
ICAP Classification: CP: _____ IUC: X PUIB: _____	
Drawing Title: <b>MIMXRT1050-EVK</b>	
Page Title: <b>BOOT</b>	
Size: C	Document Number: SCH-29538, PDF: SPF-29538
Date: Wednesday, October 18, 2017	Sheet 16 of 17



# COMBO SENSOR



## FXOS8700CQ COMBO SENSOR



ICAP Classification: CP: _____ IUC: X PUI: _____	
Drawing Title: <b>MIMXRT1050-EVK</b>	
Page Title: <b>MISC</b>	
Size C	Document Number SCH-29538, PDF: SPF-29538
Date: Wednesday, October 18, 2017	Sheet 17 of 17