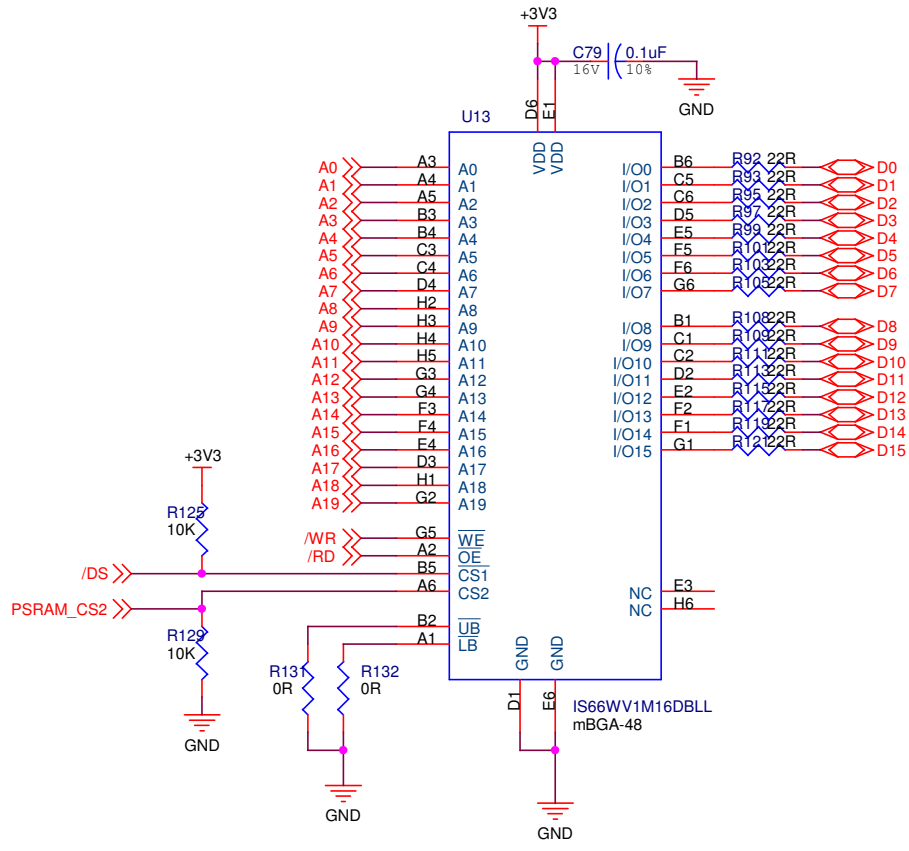
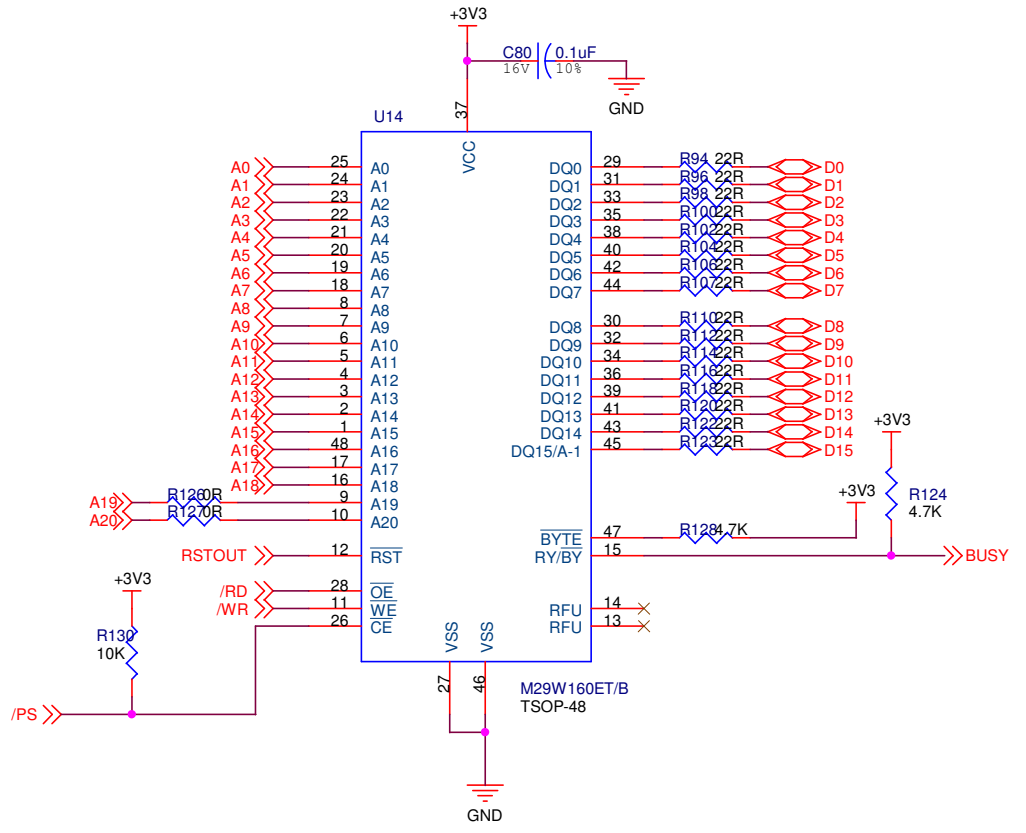


PSEUDO CMOS STATIC RAM - 2MB



PARALLEL NOR FLASH - 1MB TO 4MB SCALABLE



MICRON OR SPANSION MEMORY

M29W800DB70N6E - 1MB
 M29W160EB70N6E - 2MB
 M29W320EB70N6E - 4MB

S29AL008J - 1MB
 S29AL016J - 2MB
 S29GL032N - 4MB